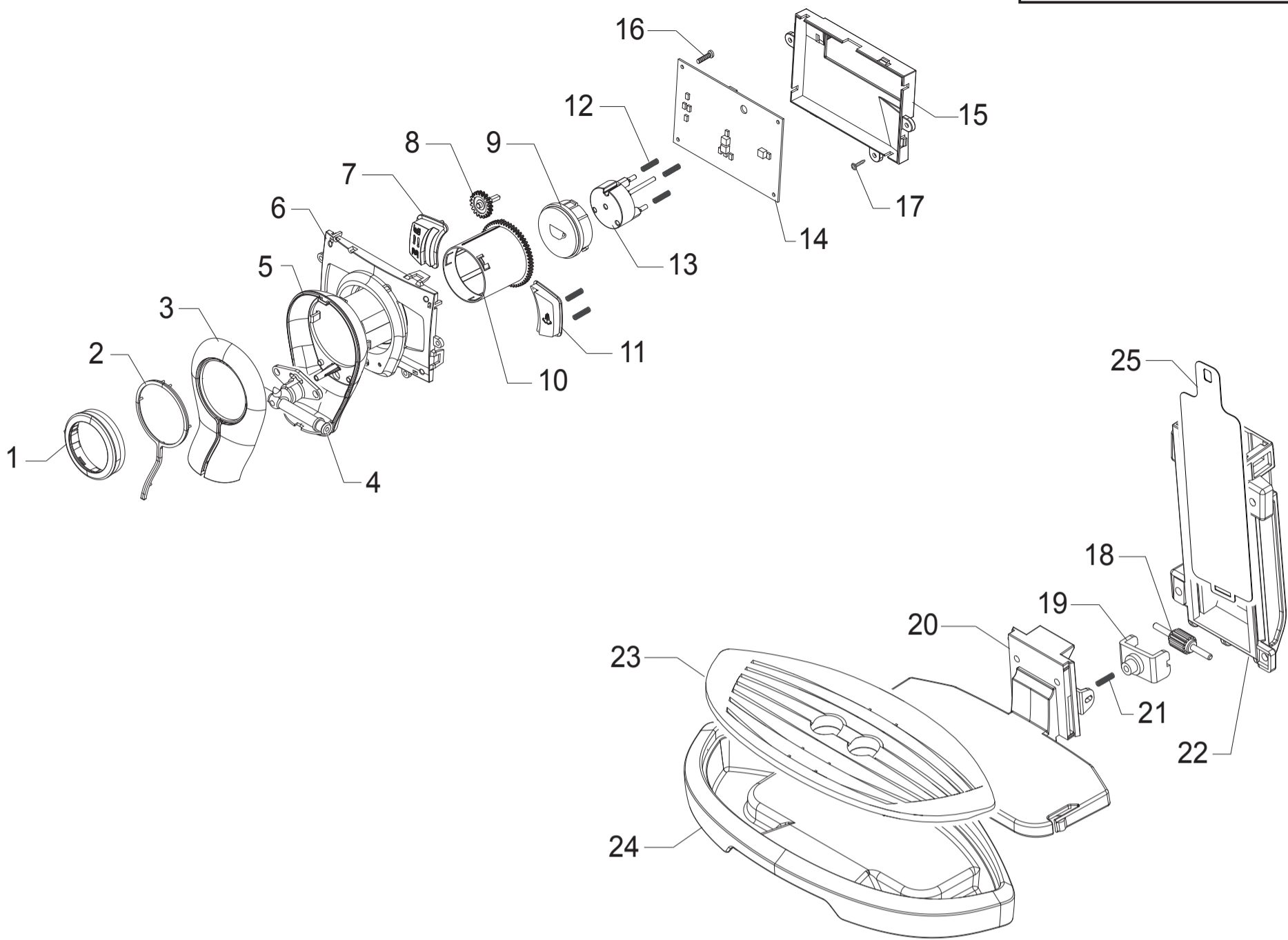


Saeco SUP0310
INTERNATIONAL GROUP



Cod. 10002740-46-96-97-98-99-2804
Cod.10002855-56-57-79-10002900-29-38-3074-75

POS	CODE	DESCRIPTION	NOTE	POS	CODE	DESCRIPTION	NOTE
01	15002184	MANUAL V4 SAE P0049/A SUP0310 NL/PL		23	11004576	CARBONA LEFT SIDE CASING P0049	
	15002181	MANUAL V4 SAE P0049/A SUP0310 D/I			11010711	URBAN/G LEFT SIDE CASING P0049	
	15002182	MANUAL V4 SAE P0049/A SUP0310 GB/F			11010670	VANILLA LEFT SIDE CASING P0049	
	15002183	MANUAL V4 SAE P0049/A SUP0310 E/P			11004390	TITANIO LEFT SIDE CASING P0049	
	15002185	MANUAL V4 SAE P0049/A SUP0310 GB/CHN		24	11003533	BLACK DUMP BOX P0049 ASSY.	
	15002187	MANUAL V4 SAE P0049/A SUP0310 GB/KOR		25	11010713	URBAN/G DRIP TRAY COFFEE UNIT P0049	
	15002313	MANUAL V4 SAE P0049/A SUP0310 GB/P			11010672	VANILLA DRIP TRAY COFFEE UNIT P0049	
02	11003889	2POLES CONNECTOR SENSOR REED DOOR P0049			11004392	TITANIO DRIP TRAY COFFEE UNIT P0049	
03	11003785	BLACK GRINDER ADJUSTMENT KEY P0049			11004579	CARBONA DRIP TRAY COFFEE UNIT P0049	
04	183911050	POWER CABLE SCHUKO BLACK L=1200		26	12000280	CUP SOCKET EN 60320 C 13	
	183930650	POWER CABLE CH BLACK 3X1 H05VV-F L=1200		27	11007060	GENERAL SWITCH FOR P124	
	183921950	POWER CABLE SJT3 USA BLACK UL L=1200		28	11004591	CARBONA WATER TANK OUTLET COVER P0049	
	183940650	BLACK POWER CABLE AUSTRALIA L=1200			11010716	URBAN/G WATER TANK OUTLET COVER P0049	
	183980650	POWER CABLE JAPPON VCTF BLACK L=1200 MM			11010692	VANILLA WATER TANK OUTLET COVER P0049	
	17800019	BLACK POWER CABLE BRAZIL L=1200	220V		11004393	TITANIO WATER TANK OUTLET COVER P0049	
	11004246	BLACK POWER CABLE TAIWAN HVCTF L=1200		29	11011355	TRANSP.BEAN CONTAINER V2 P0049	
	11004247	BLACK POWER CABLE RVV 3X1 CHINA L=1200MM		30	11001762	NATUR/GREY BEAN COFF.CONT.LID P0049 ASSY	
	11001985	BLACK POWER CABLE KOREA 3X1 L=1200		31	11009191	BLACK POWER BOARD PROTECTION V2 P0049	
	17800330	BLACK POWER CABLE BRAZIL L=1200	127V	32	11022788	PWR BOARD V2 P0053	230V 100V-120V
05		PARTICULAR NOT AVAILABLE	SEE PART.N°50		11003968	PWR BOARD P0049/P0053	
06		UP TO S/N. 9009SA40111759 PARTICULAR NOT AVAILABLE	SEE PART.N°50	33	9161.111	MAGNET FOR FLOAT SUPERAUTOM.	
07		UP TO S/N. 9009SA40111759 PARTICULAR NOT AVAILABLE	SEE PART.N°50	34	11008956	SS SPRING FOR LOCK DOOR G0053	
		UP TO S/N. 9009SA40111759 PARTICULAR NOT AVAILABLE	SEE PART.N°50	35	11001340	BLACK DOOR PIN P0049	
08	11001746	NATUR/GREY WATER CONTAINER P0049 ASSY.		36	11004578	CARBONA DOOR P0049	
09	224640200	EXTERNAL FILTER FOR WATER CONTAINER ASSY	WITH PART.N°10		11010715	URBAN/G DOOR P0049	
10	140328461	EPDM OR METRIC 0190-10			11010691	VANILLA DOOR P0049	
11	11003672	SPRING FOR WATER CONTAINER VALVE P0049			11004391	TITANIO DOOR P0049	
12	11003673	GREY WATER CONTAINER VALVE INSERT P0049		37	11001091	BLACK INSIDE COVER DOOR P0049	
13	11003671	TRANSP.VALVE FOR WATER CONTAINER P0049			11009283	BLACK INSIDE COVER DOOR P0049 UL	
14	11001298	BLACK LID FOR DUCKBILL VALVE P0049		38	11004592	CARBONA ON-OFF BUTTON INSERT P0049	
15	11001308	NATURAL/GREY WATER CONTAINER LID P0049			11010712	URBAN/G ON-OFF BUTTON INSERT P0049	
16	11004687	MOUNTING PLATE WITH PIN P0049 PP+T ASSY.			11010671	VANILLA ON-OFF BUTTON INSERT P0049	
	11009301	MOUNTING PLATE WITH PIN P0049 UL ASSY.			11004055	TITANIO ON-OFF BUTTON INSERT P0049	
17	11000223	BLACK WHEEL FOR CASING BOTTOM P124		39	11011129	SPECCHIATO ON-OFF SWITCH BUTTON P0049	
18	11013549	SPECCHIATO CASING COVER V3 P0049		40	129913202	SCREW TCB TORX 10 3X8 PLAST.ZN-B	
	11013548	WHITE CASING COVER V3 P0049		41	11001339	TRANSPARENT INFRAREDS PLATE P0049	
19	11010717	SPECCHIATO WATER-STEAM KNOB P0049		42	NF11.084	FOLK SPRING	
	11010693	CHROMED WATER-STEAM KNOB P0049		43	11001624	STEAM TUBE WASHER P0049	
20	11004142	SILVER PLATE LOGO SAECO NEW P0049/P0053		44	11005287	BLACK BUSH FOR STEAM KNOB	
21	11004907	BLACK PLATE WITH LOGO ODEA P0049 GO		45	11003154	BLACK REED SENSOR SUPPORT P0049	
	11012236	BLACK PLATE WITH LOGO ODEA P0049 SPORTY		46	11005044	SAECO KLUBER TRIBOSTAR SIL 2 TUBE 5GR.	
22	11004575	CARBONA RIGHT SIDE CASING P0049		47	129661702	SCREW TCB TORX 3,5X30 PLAST.ZN-B	
	11010710	URBAN/G RIGHT SIDE CASING P0049		48	11006567	LWR INSULATE SHEET PWR ELECT.BOARD P0053	(ONLY 120V)
	11010667	VANILLA RIGHT SIDE CASING P0049		49	11007234	UPP.INSULATE SHEET PWR ELECT.BOARD P0053	(ONLY 120V)
	11004389	TITANIO RIGHT SIDE CASING P0049		50	20006675	KIT SPARES FOR PACKAGING V3 P0049	
						FROM S/N. 9009SA40111760	

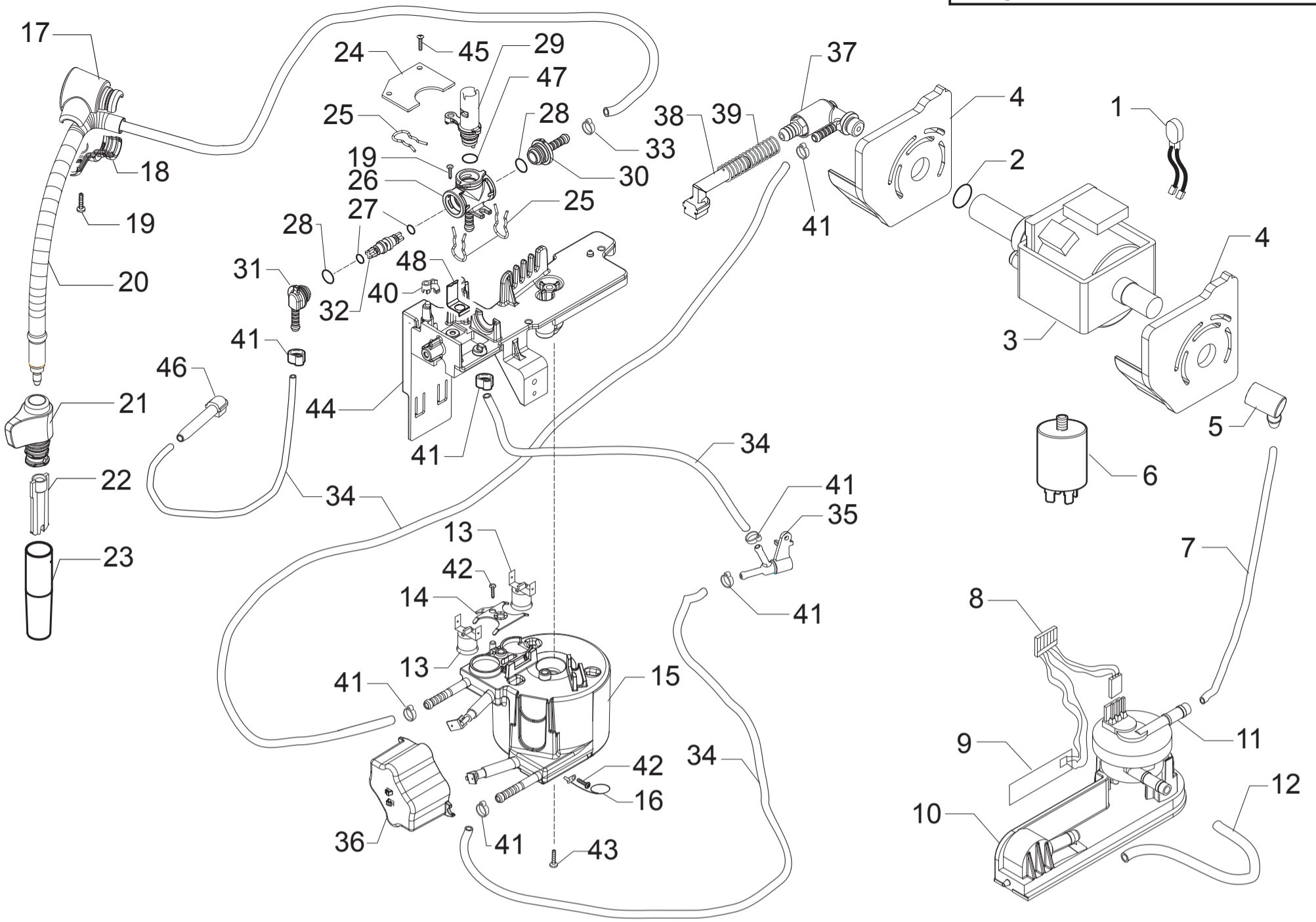


Saeco SUP0310
INTERNATIONAL GROUP



Cod. 10002740-46-96-97-98-99-2804
Cod. 10002855-56-57-79-10002900-29-38-3074-75

POS	CODE	DESCRIPTION	NOTE	POS	CODE	DESCRIPTION	NOTE
01	11011220	SPECCHIATO HEIGHT REGULATION NUT P0049					
	11004100	CHROMED HEIGHT REGULATION NUT P0049					
02	11001788	AMBRA COFFEE DISPENSER LENS P0049					
03	11011223	SPECCH.FRONT COF.DISPENSER COVER P0049					
04	11001772	BLACK INNER CASING COFF.DISPENSER P0049					
05	11011221	SPECCHIAT.REAR COF.DISPENSER COVER P0049					
06	11011224	SPECCHIATO SUPPORT ELECTR.CARD P0049					
07	11001351	BLACK BUTTON FOR ALLARMS P0049					
08	11001320	BLACK GEAR Z=19 FOR P0049					
09	11004388	CARBONA COFFEE BUTTON P0049/A S.SCREEN					
10	11001314	BLACK SUPPORT FOR RING NUT P0049					
11	11001353	BLACK STEAM BUTTON P0049					
12	11001363	SPRING FOR BUTTONS P0049					
13	11001334	BLACK COFFEE BUTTON SPACER P0049/A					
14	20003340	KIT SPARES CPU+SW V2 P0049 ASSY					
15	11001299	BLACK SUPPORT ELECTR.CARD CPU P0049.					
16	129913202	SCREW TCB TORX 10 3X8 PLAST.ZN-B					
17	12000450	SCREW TCB TORX 10 3,5X12 PLAST.GALVANIZ					
18	11001758	PIN WITH BLACK INSERT ASSY.P0049					
19	11001335	BLACK PIN INSERT FOR DRIP TRAY P0049					
20	11001295	BLACK DRIP TRAY SUPPORT P0049					
21	11001364	MOVE DRIP TRAY SPRING P0049					
22	11001294	BLACK DRIP TRAY GUIDE P0049					
23	11011128	SPECCHIATO GRATE FOR DRIP TRAY P0049					
24	11009633	CARBONA DRIP TRAY P0049					
25	11007037	SPECCHIATO DRIP TRAY PROTECTION V2 P0049					

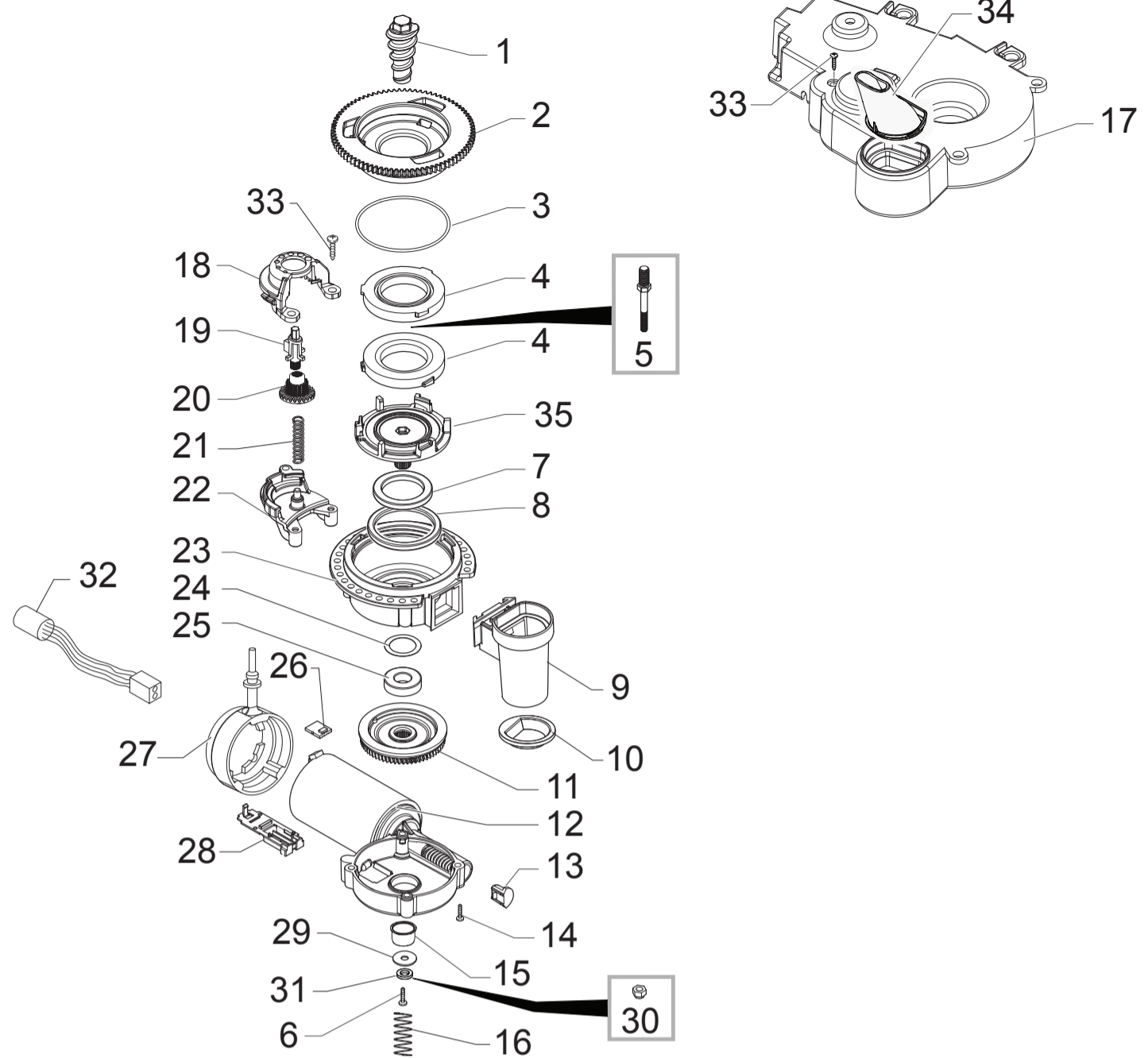


Saeco SUP0310
INTERNATIONAL GROUP



Cod. 10002740-46-96-97-98-99-2804
Cod.10002855-56-57-79-10002900-29-38-3074-75

POS	CODE	DESCRIPTION	NOTE	POS	CODE	DESCRIPTION	NOTE
01	11005668	2POLES CONNECTOR PUMP P0049 UL	100V±230V	31	11001544	FAUCET CONNECTOR P0049	
02	140321961	OR 2031 IN TERMOIL	WITH PART. N°37	32	11004134	BRASS FAUCET SHAFT P0049	
03	12000140	ULKA PUMP EP5/S GW	230V-50HZ	33	NF11.052	OETIKER CLIP	
	12000130	ULKA PUMP EP5/S GW	100V-50/60HZ	34	16000380	5X8,9 SILICONE TUBE	IN ROLL
	12000142	ULKA PUMP EAP5/S	120V-60HZ	35	11001330	BLACK CONNECTOR FOR PIN BOILER P0049	
	12000182	ULKA PUMP EP5/S GW	220V-60HZ	36	11005284	BLACKBOILER CONNECT. COVER P0049/P0053	
04	11006296	BLACK PUMP SUPPORT P0049		37	11004689	TEA/BRASS SAFETY VALVE 16-18 BAR ASSY.	
05	147920150	90°CONNECTOR PUMP INLET		38	11001629	PUMP DESCARGING WATER CONNECT. P0049	
06	12000005	ANTIDISTURB FILTER 10A FNC 1005474103P	230V	39	11005003	DESCARGING WATER CONNECT. SPRING P0049	
	12000007	ANTIDISTURB FILTER 16A FNC 1610474472P	120V	40	11008876	BRASS FAUCET BLOCK INSERT P0049/A	
	12001363	QUICK-LOCK ANTIDISTURB FILTER 16A	100V	41	12000892	OETIKER CLAMP D=9,5 16700004	
07	149360200	SILICONE TUBE 5X8 70SR	IN ROLL	42	12001715	SCREW TCB TORX 20 M4X8 AUTOFORMING ZN-B	
08	11005648	6 POLES CONNec.LEVEL+FLOWMETER P0049 UL	100V±230V	43	129932502	GALVANIZDE SELF DRILLING SCREW 5X30	
09	11000651	WATER LEVEL SENSOR BOARD P124		44	11001332	SUPPORT FOR BOILER-FAUCET-VALVE P0049	
10	11003670	BLACK TURBINE SUPPORT/V2 P0049		45	129913202	SCREW TCB TORX 10 3X8 PLAST.ZN-B	
11	12000781	TURBINE D=1,2 932-8521/90 ASSY.		46	11001630	MILK ISLAND DESCARGING WATER CONNECT.	
12	JS01.022	SILICONE TUBE 5X10 60 SHORE	IN ROLL	47	12001615	OR 2025 IN EPDM PEROX.FDA 70 SH	
13	189428600	THERMOSTAT 175° 1NT-08L-5125		48	11002957	SS.FAUCET FOR SPRING P0049	
		UP TO S/N.9008SA40365462	(ONLY FOR 120V)				
	12001034	THERMOSTAT ONE SHOT 175°			11025775	AS.RUB.V2 P0049-P0053 OT/TEA	
		FROM S/N.9008SA40365463	(ONLY FOR 120V)			WITH PART. N°25-26-27-28-29-30-31-32-47	
14	11001751	THERMOSTATES SPRING FOR BOILER			11001748	ALUM.BOILER P0049/A 230V ASSY.	COMPLETE
15	11011341	ALUM.BOILER/V4 ASSY.	230V-1300W		11005774	ALUM.BOILER P0049/A 120V ASSY.	COMPLETE
	11005608	ALUM.BOILER/V3 ASSY.	120V-1300W		11005775	ALUM.BOILER P0049/A 100V ASSY.	COMPLETE
	11005609	ALUM.BOILER/V3 ASSY.	100V-1300W				
16	190800100	TEMPERATURE SENSOR NTC UL L=280MM					
17	11004196	CHROMED UPPER STEAM TUBE COVER P0049					
18	11004197	CHROMED LOWER STEAM TUBE COVER P0049					
19	129913902	SCREW TCB TORX 10 3X12 PLAST.ZN-B					
20	11022486	TF/CHROM.STEAM TUBE V2 P0049/P0053 ASSY.					
21	11001625	STEAM TUBE HANDGRIP P0049					
22	11001620	BLACK PANNARELLO INTERNAL TUBE P0049					
23	11001769	BLACK COVER PANNARELLO P0049/A					
	11011504	TF/CHROM.PANNARELLO COVER P0049					
24	11007569	TAP ELECTRONIC CARD G0053 ASSY.					
25	11001499	FORK SPRING FOR FAUCET P0049					
26	11004625	TEA/BRASS FAUCET CASING P0049					
27	12001614	OR 2012 IN EPDM PEROX.FDA 70 SH					
28	12001613	OR 108 IN EPDM PEROX.FDA 70 SH					
29	11025776	PLAST/BRASS FAUCET SHAFT V2 P0049 ASSY.					
30	11001546	FAUCET STRAIGHT CONNECTOR P0049					

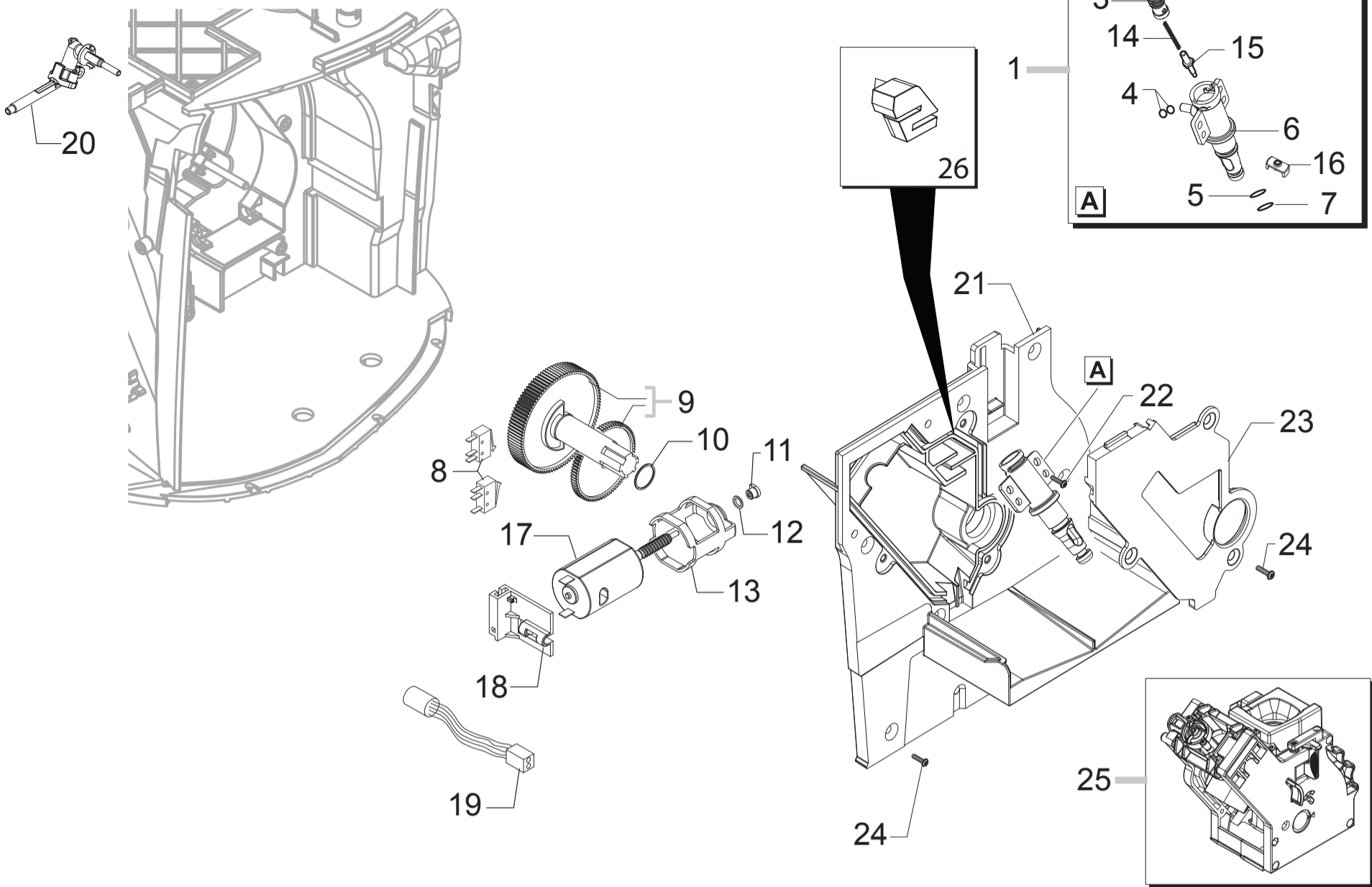


Saeco SUP0310
INTERNATIONAL GROUP



Cod. 10002740-46-96-97-98-99-2804
Cod. 10002855-56-57-79-10002900-29-38-3074-75

POS	CODE	DESCRIPTION	NOTE	POS	CODE	DESCRIPTION	NOTE
01	9141.001	BRASS INCREMENT SCREW MC		32	11005658	5POLES CONNECTOR MC SENSORS P0049 UL	100V±230V
	11011205	TEA/ZAMA INCREASE SCREW GRINDER		33	129914002	SCREW TCB TORX 10 3,5X16 PLAST.ZN-B	
		FROM S/N. 9008SA40315751		34	11004199	CONVOGLIAT.CONDensa GRUP.CAF.P0049 NER	
02	149198250	UPPER GRINDER SUPPORT COFFEEGRINDER		35	149198350	LOWER GRINDER SUPPORT COFFEEGRINDER	
03	140328960	NBR FDA OR METRIC 0530-15			11007416	GENERAL MOTOR MC V2 P0049 230V ASSY.	
04	146520100	BAKED CLAY GRINDER 48X28			11007417	GENERAL MOTOR MC V2 P0049 120V ASSY.	
05	127473603	STEEL PIN M4-M6 FOR INCREMENT SCREW			11007418	GENERAL MOTOR MC V2 P0049 100V ASSY.	
		UP TO S/N. 9008SA40315750					
06	129574802	SCREW TCB TORX 20 M4X30 ZN-B					
		FROM S/N. 9008SA40315751					
07	123030300	AXIAL BEARING EKKO 342.35252					
08	140360500	FELT RING 45,4X39,4X4					
09	11026355	BLK GROUND COFF.OUTLET CONVEYOR V4 ASSY.					
10	145854462	GROUND COFFEE CONT.SEAL LOWER SMART1					
11	226000300	GEAR SX Z=38 FOR GRINDER MOTION ASSY.					
12	11000513	MOTOR COFFEEGRINDER/V3.1 DOMEL ASSY	230V				
	11000511	MOTOR COFFEEGRINDER/V3.1 DOMEL ASSY	120V				
	11000512	MOTOR COFFEEGRINDER/V3.1 DOMEL ASSY	100V				
13	149214800	CAP FOR WORM SCREW MC/V3 CENTRING					
14	129661702	PANELVIT TCB SCREW 3,5X25 D.7505 ZN					
15	11002873	INSULATOR BUSH FOR GRINDER MOTOR P124					
16	11000597	COFFEE GRINDER SUPPORT SPRING P124					
17	11001826	SOUNDPR. COVER FOR COFGRINDER P0053					
18	11002508	UPPER GEAR SUPPORT COFFEEGRINDER P124					
19	11003446	BLACK INSERT FOR COFFEE GRINDER P0049					
20	11003784	COFFEE GRINDING ADJUSTMENT GEAR P0049					
21	11002572	GRINDER REGULATION SPRING P124					
22	11002613	LOWER GEAR SUPPORT COFFEEGRINDER P124					
23	142905450	UPPER BODY WITH COFFE.GROUND OUTLET					
24	128381800	CRINKLE WASHER 21,8X15,8X0,2					
25	123030200	RADIAL BEARING 61900.2RS1					
26	181540900	ELECTRONIC BOARD WITH SENSOR HAL506					
27	11001367	BLACK COFFEE GRINDER SUPPORT P0049					
28	149199050	SENSOR SUPPORT FOR COFF.GRIND.MOTOR					
29	128381902	GALVAN.FLAT WASH.DI=4,3 DE=14 SP=1,5					
30	123453102	SELF LOCK NUT M4 DIN 982 HIGH GALV.					
		UP TO S/N. 9008SA40315750					
31	128310402	GALV.WASHER UNI 8842 A4					
		FROM S/N. 9008SA40315751					

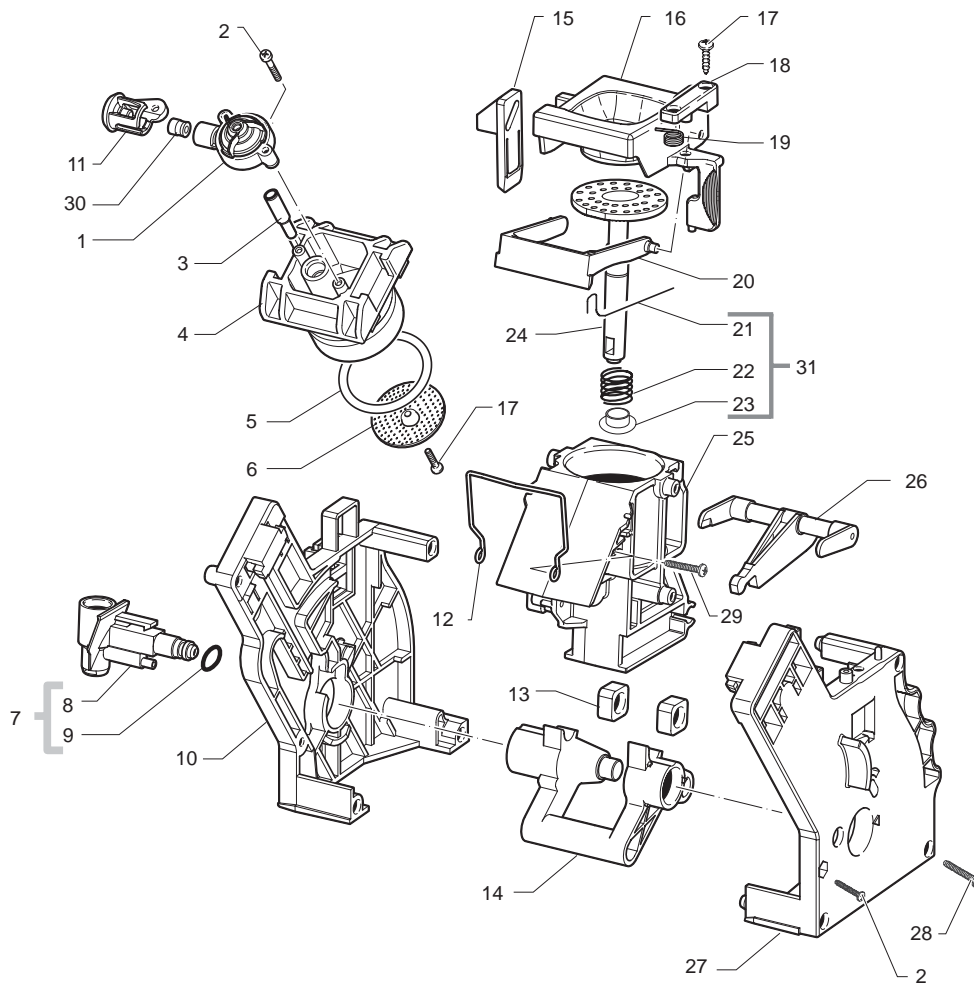


Saeco SUP0310
INTERNATIONAL GROUP



Cod. 10002740-46-96-97-98-99-2804
Cod. 10002855-56-57-79-10002900-29-38-3074-75

POS	CODE	DESCRIPTION	NOTE	POS	CODE	DESCRIPTION	NOTE
01	11005060	PIN V2 FOR BOILER P049/B ASSY.		25	11002145	BLACK BREW UNIT 8GR. P124/SBS SEE EXP. COD.E90042 NEXT PAGE UP TO S/N.9008SA40436654	ALL COUNTRIES
02	140324459	OR ORM 0060-20 IN SILICONE PTFE/FDA					
03	11003820	CAP V2 FOR PIN BOILER P119					
04	140328059	OR 2015 IN SILICONE PTFE/FDA					
05	NM01.035	OR ORM 0090-20 SILICONE					
06	11003801	PIN V2 FOR BOILER P119					
07	NM01.057	OR ORM 0050-20 SILICONE					
08	NE05.038	MICROSWITCH					
09	20000900	SPARES KIT GEARS FOR RATIOMOTOR V2					
10	9161.132	MYLAR WASHER FOR RATIOMOTOR					
11	9121.046	SINTERED BUSH FOR MOTOR					
12	148380200	WASHER BAKELIZZATE D=5,5					
13	9121.044	ANTIVIBRATION FOR MOTOR					
14	9011.132	SPRING FOR PIN					
15	11009019	TEA/BRASS PISTON L=20,9 ASSY.					
16	11005099	CURSOR V2 FOR BOILER P119					
17	11005214	MOTOR FOR RATIOMOTOR P124 ASSY.					
18	11001331	BLACK MICROSWITCH SUPPORT DUMP BOX P0049					
19	11003661	REED SENSOR MK3-1A66-BV16451					
20	11007647	V3 COFFEE DISPENSING VALVE P0049 ASSY. UP TO S/N.9008SA40436654	ALL COUNTRIES				
	11010544	V4 COFFEE DISPENSING VALVE P0049 ASSY. UP TO S/N.9008SA40436654 WITH KIT COD.20005362 FROM S/N. 9008SA40436655 ONE BY ONE	ONLY CH ONLY CH				
		UP TO S/N. 9009SA40039603 WITH KIT COD.20005362 FROM S/N.9009SA40039604 ONE BY ONE	OTHER COUNTRIES OTHER COUNTRIES	26	11022216	BLACK MOUNTING PLATE COVER PROTECT.P0049	
21	11006337	BLACK COVER MOUNTING PLATE P0049 ASSY.					
	11009287	BLACK COVER MOUNTING PLATE P0049 UL ASSY					
22	129914002	SCREW TCB TORX 10 3,5X16 PLAST.ZN-B					
23	11001312	BLACK COVER FOR VAIN BOILER P0049					
	11009284	BLACK COVER FOR VAIN BOILER P0049 UL					
24	129914102	SCREW TSP TORX 10 3,5X12 PLAST.ZN-B					



Saeco
INTERNATIONAL GROUP

GRUPPO CAFFE' PRIMEA-TALEA-ODEA



Cod. 11002145

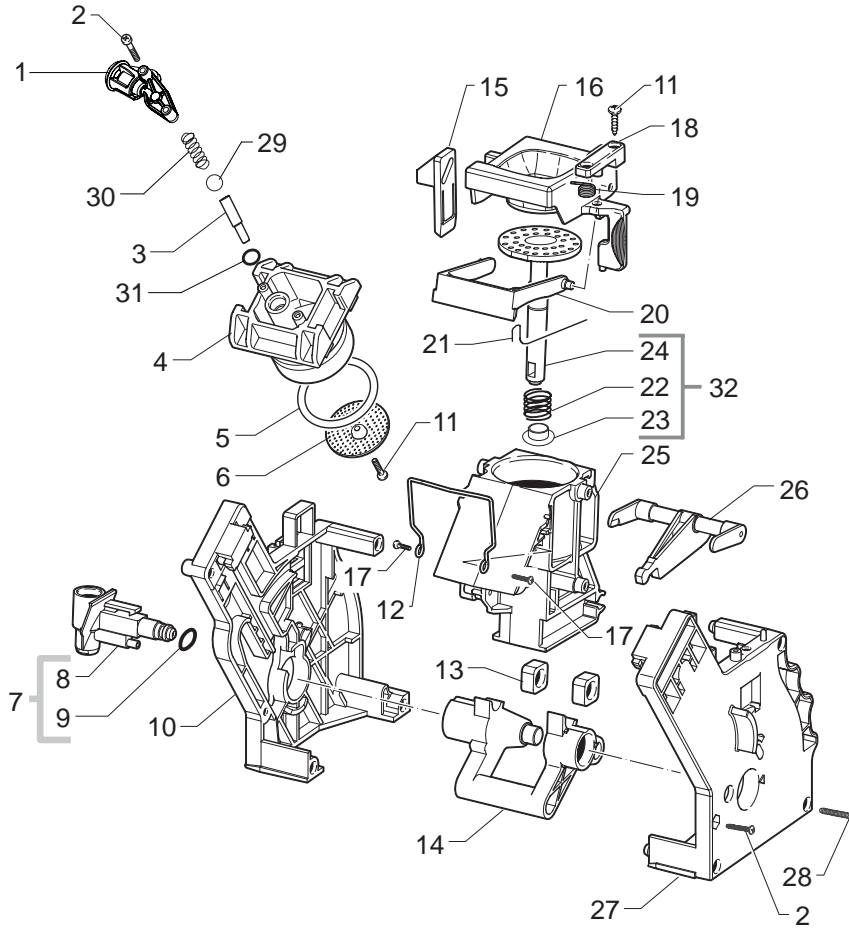
POS	CODICE	DESCRIZIONE	NOTE	POS	KODE	BESCHREIBUNG	NOTE
01	11010660	AS.VALVOLA SAECO BREWING SYSTEM STD		01	11010660	SAECO BREWING SYSTEM VALVE STD ASSY.	
02	12000550	VITE TCB 3X25 PLAST.INOX		02	12000550	SCREW TCB TORX 10 3X25 PLAST.SS	
03	11009276	TUBO X CONTROPIST.GRUPPO S0053 NERO		03	11009276	TUBE FOR COUNTER PISTON BREW UNIT S0053	
04	11001840	CONTROPISTONE GRUPPO P124 8GR. NERO		04	11001840	BLACK COUNTER PISTON BREW UNIT 8GR.P124	
05	NM01.044	OR ORM 0320-40 IN SILICONE PTFE/FDA		05	NM01.044	OR ORM 0320-40 IN SILICONE PTFE/FDA	
06	9161.268	DOCCIA DE=35,8 ELFO		06	9161.268	PERCOLATOR DE=35,8 ELFO	
07	20000440	AS.MANICOT.ENTRATAACQUA GRUP.CAFF.NER.		07	20000440	BLACK WATER INLET SLEEVE BREW UNIT ASSY.	
08	9161.064.050	MANICOT.ENTRATAACQUA GRUP.CAFF.NER.		08	9161.064.050	BLACK WATER INLET SLEEVE BREW UNIT	
09	NM02.007	OR 2025 TERMOIL		09	NM02.007	OR 2025 TERMOIL	
10	9161.375.050	PIASTRA POSTERIORE GRUPPO SMART NERO		10	9161.375.050	BLACK REAR PLATE FOR BREW UNIT SMART	
11	145899250	INSERTO CENTRAGGIO RAC.USCITA CAF.P124		11	145899250	CONNECTION COFFEE FOR P124 GROUP	
12	11001556	MOLLA RASATORE H=49 X GRUPPO CAF.SMART		12	11001556	SPRING H=49 FOR COFFEE BREW UNIT SMART	
13	9161.094.150	BLOCCHETTO FORATO GRUP.CAFFE' PA/GRIGIO		13	9161.094.150	GREY DRILLED BLOCK BREW UNIT	
14	9161.066.050	ALBERO A GOMITO X GRUPPO NERO		14	9161.066.050	ELBOW SHAFT FOR UNIT BLACK	
15	9161.373.050	PIASTRINA AGGANCIO GRUP.CAF.SMART NERO		15	9161.373.050	BLACK COUPLING PLATE BREW UNIT SMART	
16	149261350	TRAMOGGIA GRUPPO CAFFE' SMART1 NERO		16	149261350	BLACK HOPPER DOSER BREW UNIT SMART1	
17	12000895	VITE TSP 3X10 PLAST.INOX		17	12000895	SCREW TSP TORX 10 3X10 PLAST.SS	
18	9161.374.050	PIASTRA FISS.TRAMOG. GRUP.CAF.SMART NERO		18	9161.374.050	BLACK HOPPER BLOCKING PLATE UNIT SMART	
19	9161.378	MOLLA TRAMOGGIA GRUPPO CAFFE' SMART		19	9161.378	SPRING HOPPER SMART BREW UNIT	
20	11004161	RASATORE X GRUPPO CAFFE' NERO		20	11004161	BLACK SCRAPER FOR COFFEE UNIT	
21	9161.046	MOLLA X RASATORE GRUPPO		21	9161.046	SPRING FOR UNIT SCRAPER	
22	9161.198	MOLLA PISTONE GRUPPO CAFFE' 8GR.ACC.		22	9161.198	SS.8GR.BREW UNIT PISTON SPRING	
23	9161.191	BOCCOLA PISTONE GRUP.CAF.8GR.-12GR.BIA.		23	9161.191	WHITE 8GR.-12GR.BREW UNIT PISTON BUSH	
24	11003077	AS.PISTONE INTEGRALE GRUP.CAF.8GR.NER.		24	11003077	BLACK 8GR.BREW UNIT INTEGR.PISTON ASSY.	
25	11003075	AS.CONT.CAF.C/BOCC.SALD.GRUP.P124 8G.NER		25	11003075	BLACK COFFEE CONTAINER BREW UNIT P124	
26	11003078	BIELLA X GRUPPO P124 8GR.NERO		26	11003078	BLACK CONNECTING ROD FOR UNIT P124 8GR.	
27	11005920	PIASTRA ANT.GRUPPO SMART S/F.NER.SER.NEW		27	11005920	BLACK FRONT PLATE BREW UNIT SMART S.SCR.	
28	12000897	VITE TCB 3,5X20 PLAST.INOX		28	12000897	SCREW TCB TORX 10 3,5X20 PLAST.SS	
29	129912521	VITE TCBR 3,5X14 PLAST.INOX		29	129912521	SCREW TCBR TORX 10 3,5X14 PLAST.SS	
30	145857962	GUARNIZ.INSERTO RACC.USCITA CAF.P124 NER		30	145857962	BLACK INSERT SEAL P124	
31	11023086	AS.GEN.PISTONE INTEGR.GRUP.CAF.8GR.NER.		31	11023086	BLK 8GR.BREW UNIT NTEGR.PISTON GEN.ASSY.	
	11002145	GRUPPO CAFFE' 8GR/SBS P124 NERO			11002145	BLACK BREW UNIT 8GR/SBS P124	

Saeco
INTERNATIONAL GROUP

GRUPPO CAFFE' P124 SBS 8 GR. NERO

Rev. 03 - 07/12/09

TAVOLA 1/1



POS	CODE	DESCRIPTION	NOTE	POS	CODE	DESCRIPTION	NOTE
01	11009362	BLACK COFFEE OUTLET SLEEVE S0053 ASSY.					
02	12000550	SCREW TCB TORX 10 3X25 PLAST.SS					
03	11009276	TUBE FOR COUNTER PISTON BREW UNIT S0053					
04	11001840	BLACK COUNTER PISTON BREW UNIT 8GR.P124					
05	NM01.044	OR ORM 0320-40 SILICONE PTFE/FDA					
06	9161.268	PERCOLATOR DE=35,8 ELFO					
07	20000440	BLACK SPARE SLEEVE UNIT					
08	9161.064.050	BLACK WATER INLET SLEEVE BREW UNIT					
09	NM02.007	OR 2025 TERMOIL					
10	9161.375.050	BLACK REAR PLATE FOR BREW UNIT SMART					
11	12000895	SCREW TSP TORX 10 3X10 PLAST.SS					
12	11001556	SPRING H=49 FOR COFFEE BREW UNIT SMART					
13	9161.094.150	GREY DRILLED BLOCK BREW UNIT					
14	9161.066.050	ELBOW SHAFT FOR UNIT BLACK					
15	9161.373.050	BLACK COUPLING PLATE BREW UNIT SMART					
16	149261350	BLACK HOPPER DOSER BREW UNIT SMART1					
17	129912521	SCREW TCB TORX 10 3,5X14 PLAST.SS					
18	9161.374.050	BLACK HOPPER BLOCKING PLATE UNIT SMART					
19	9161.378	SPRING HOPPER SMART BREW UNIT					
20	11004161	BLACK SCRAPER FOR COFFEE UNIT					
21	9161.046	SPRING FOR UNIT SCRAPER					
22	9161.198	PISTON SPRING BREW UNIT M5000					
23	9161.191	NEUTRAL PISTON BUSH BREW UNIT M5000					
24	11003077	BLACK INTEGRAL PISTON UNIT P124 8GR.ASS					
25	11003075	BLACK COFFEE CONTAINER BREW UNIT P124	WITH PART. N° 12				
26	11003078	BLACK CONNECTING ROD FOR UNIT P124 8GR.					
27	11005920	BLACK FRONT PLATE BREW UNIT SMART S.SCR.					
28	12000897	SCREW TCB TORX 10 3,5X20 PLAST.SS					
29	9991.168	GLASS SPHERE D.5MM					
30	11012095	SPRING FOR COUNTERPISTON UNIT S0053					
31	140328761	OR METRIC 0060-15 IN TERMOIL					
32	11023086	BLK 8GR.BREW UNIT NTEGR.PISTON GEN.ASSY.					
	11012382	BLACK BREW UNIT 8 GR.5 BAR S0053					