

EXPLODED VIEWS

1. Cabinet and Main Frame Section

★ OPTIONAL PART

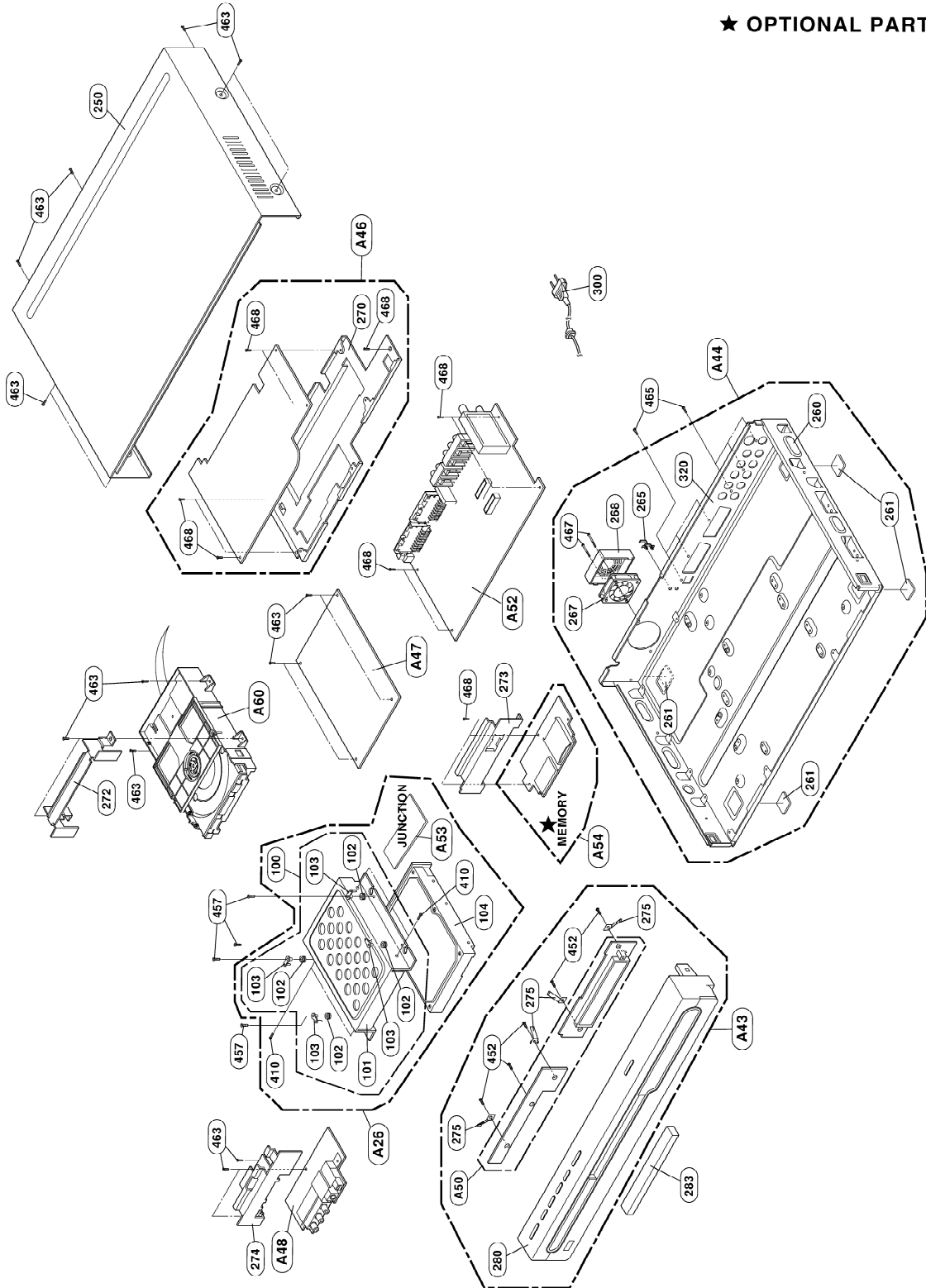
5

4

3

2

1



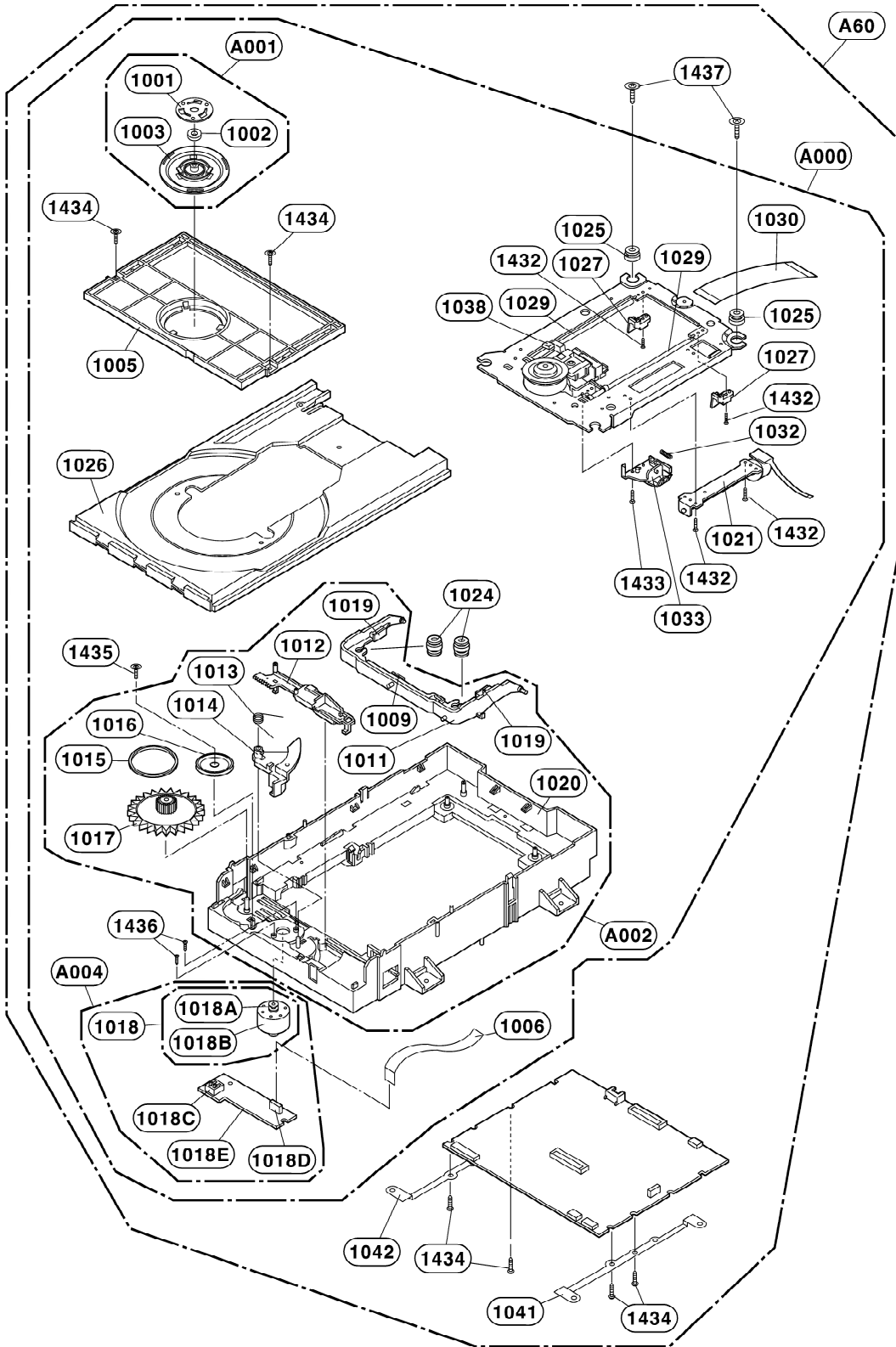
A

B

C

D

2. DECK MECHANISM SECTION(RL-05S)



3. Packing Accessory Section

