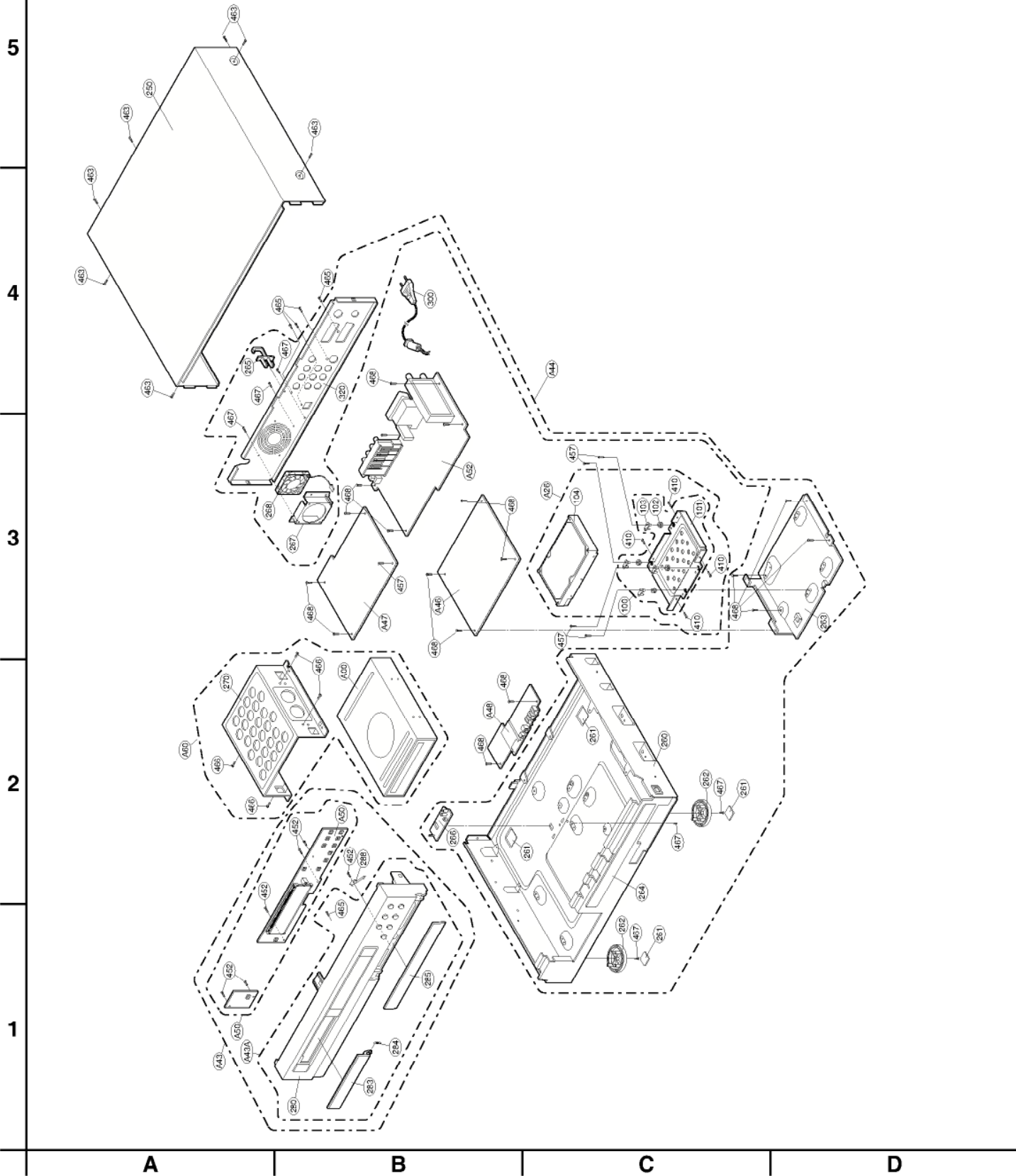
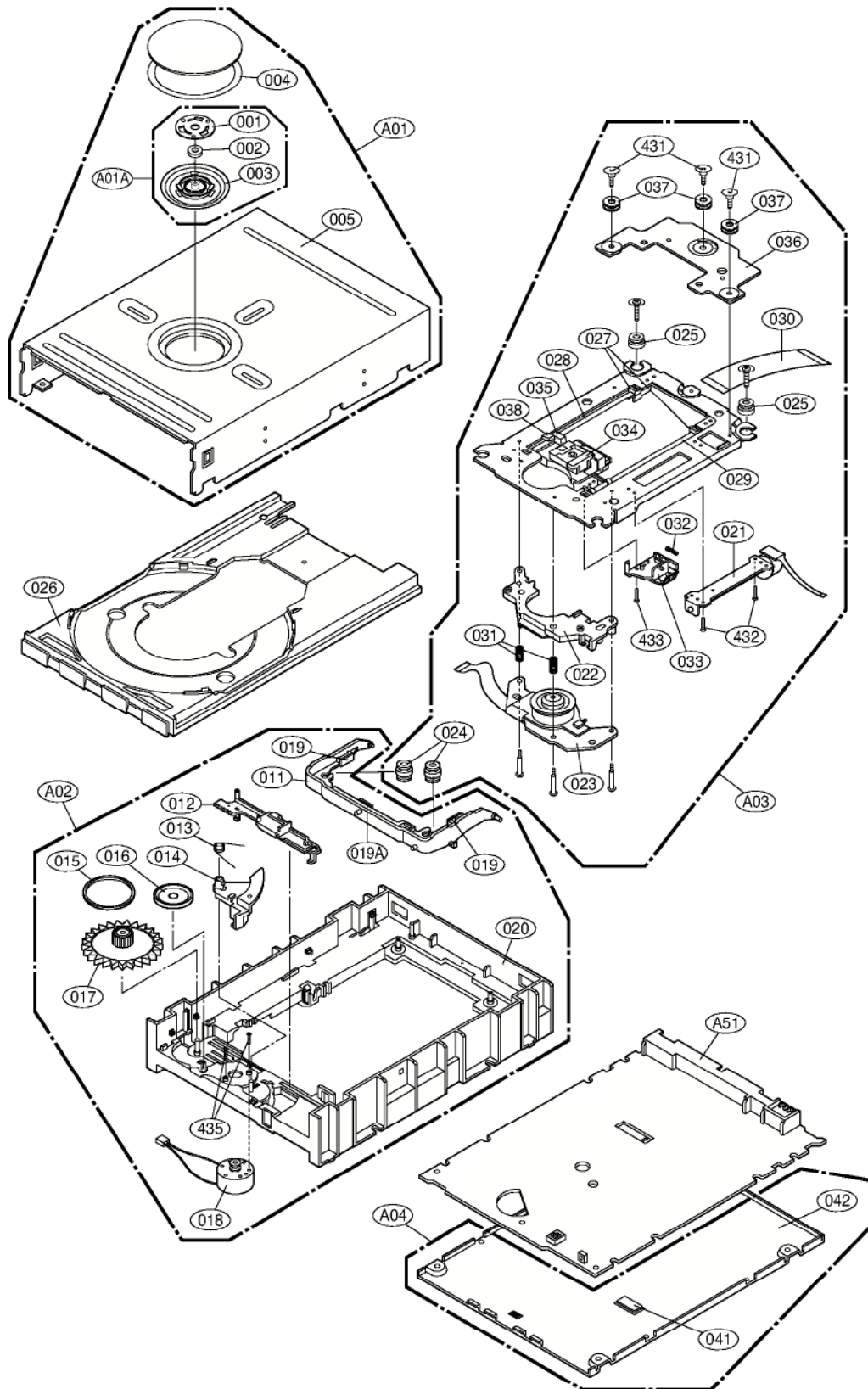


EXPLODED VIEWS

1. Cabinet and Main Frame Section



2. DECK MECHANISM SECTION(RL-01A)



3. Packing Accessory Section

