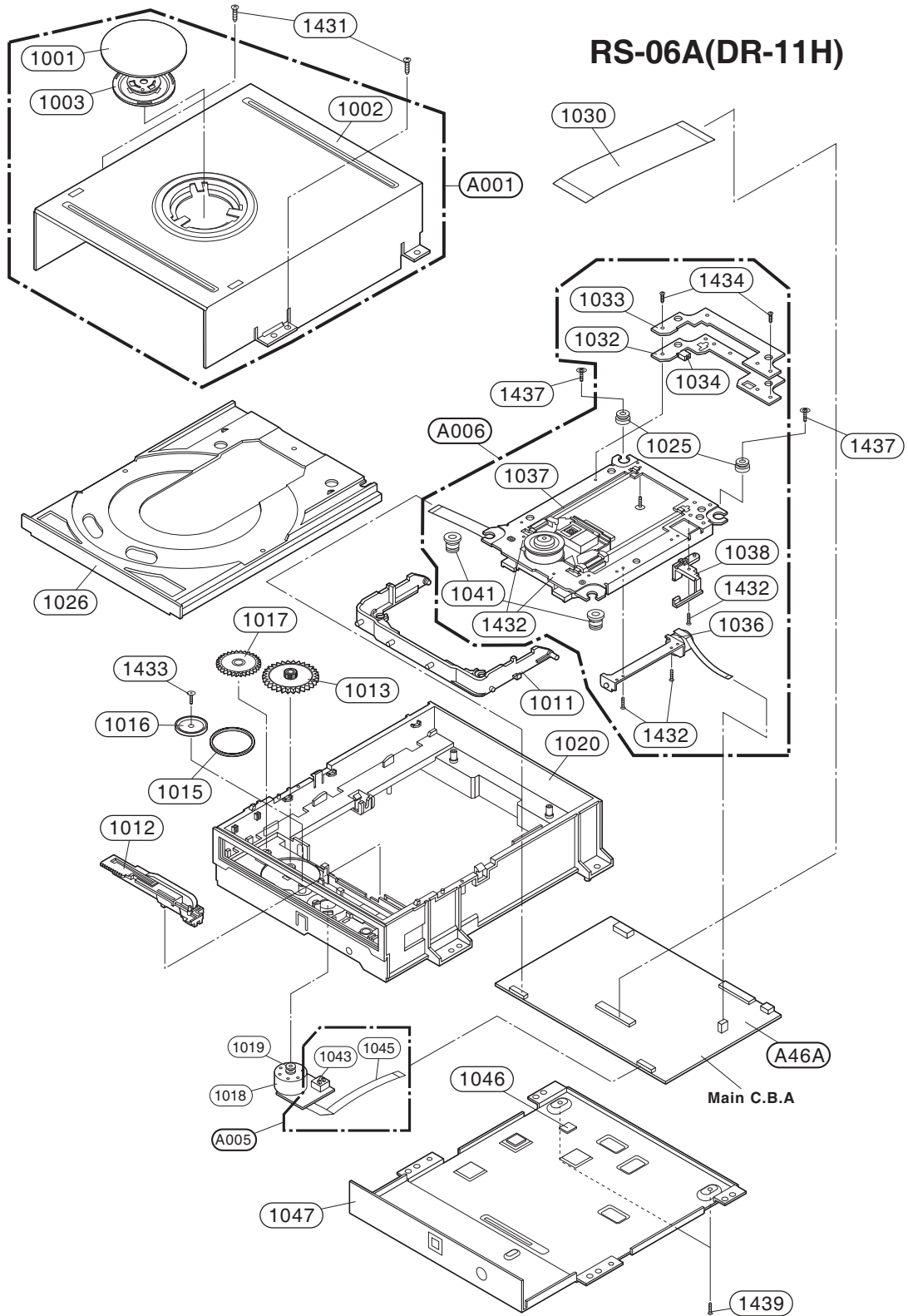




## 2. DECK MECHANISM SECTION (RS-06A)



### 3. PACKING ACCESSORY SECTION

