

EXPLODED VIEWS

1. CABINET AND MAIN FRAME SECTION

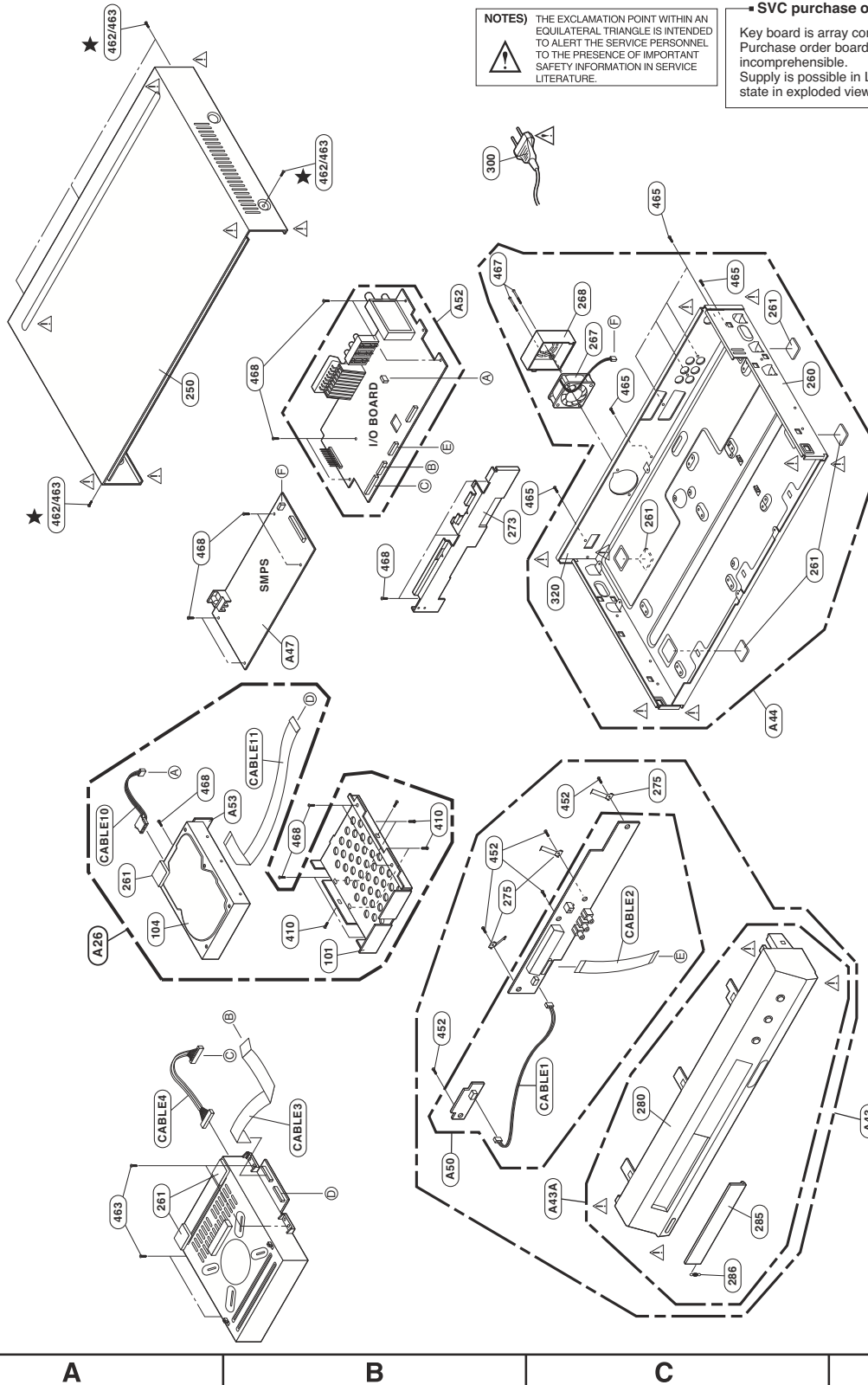
5

4

3

2

1

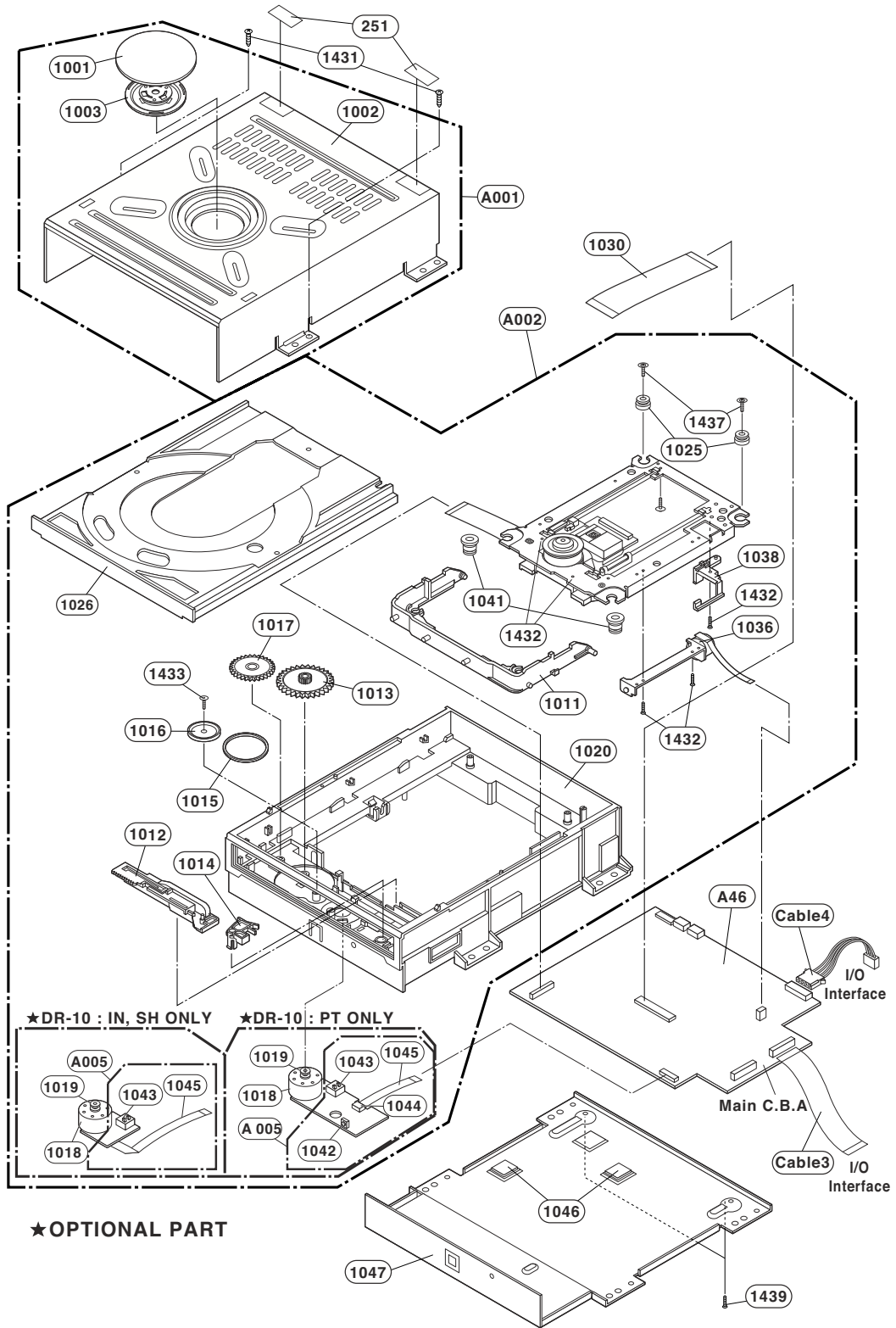


NOTES) THE EXCLAMATION POINT WITHIN AN EQUILATERAL TRIANGLE IS INTENDED TO ALERT THE SERVICE PERSONNEL TO THE PRESENCE OF IMPORTANT SAFETY INFORMATION IN SERVICE LITERATURE.

• SVC purchase order caution •
 Key board is array coming timer board. Purchase order board separately supply incomprehensible. Supply is possible in Location No A50 state in exploded views.

A B C D

2. DECK MECHANISM SECTION [MV3(DR-10A)]



3. PACKING ACCESSORY SECTION

