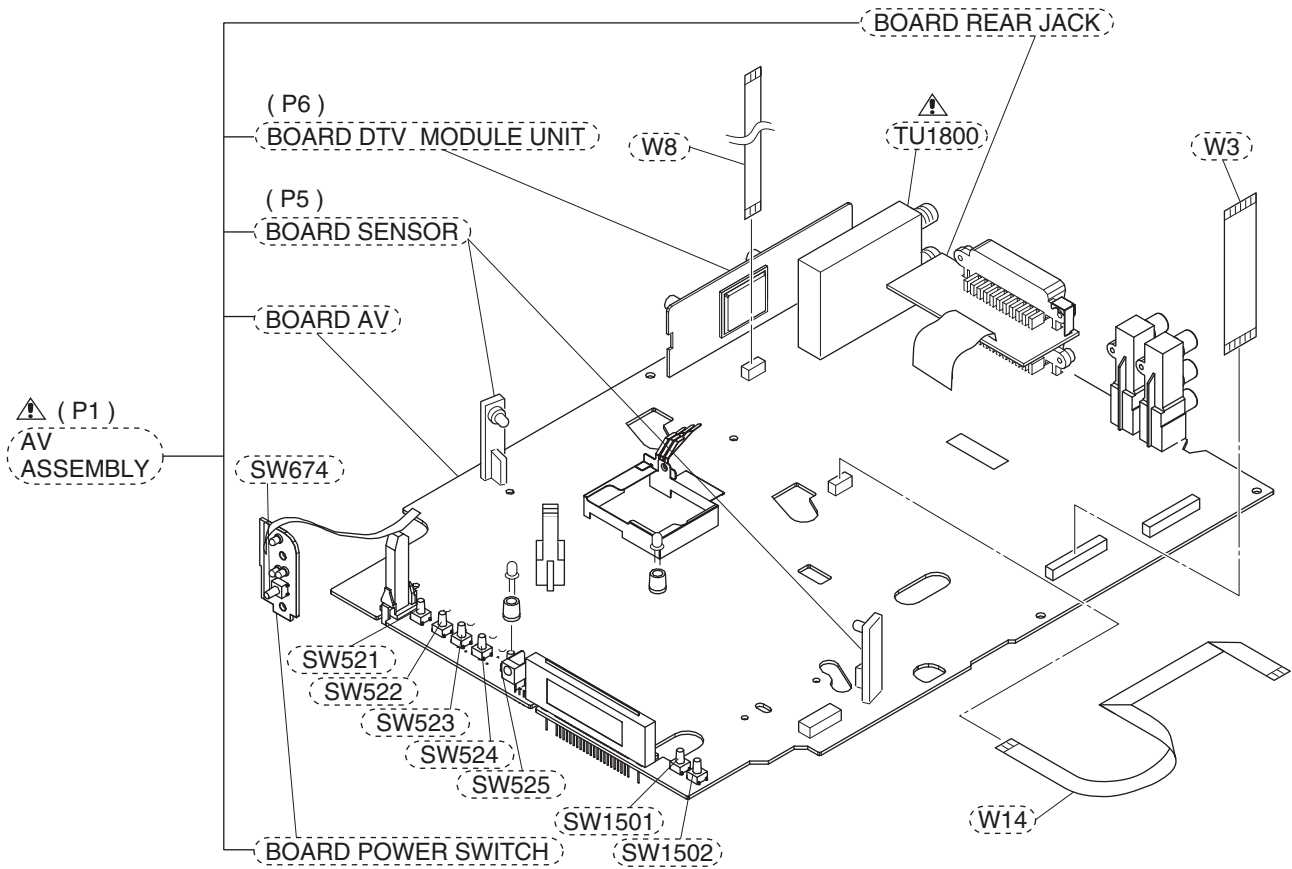




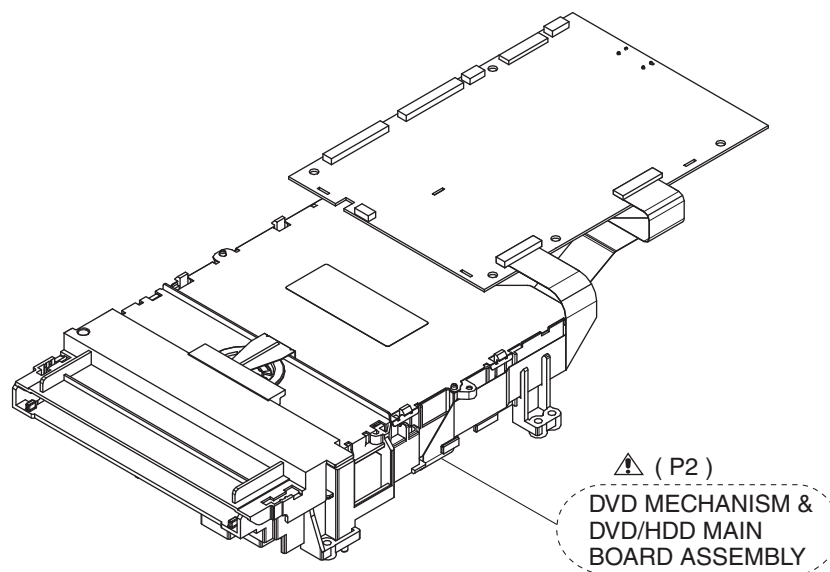
**(P1) AV ASSEMBLY**

**(P5) BOARD SENSOR**

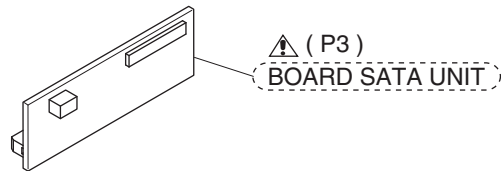
**(P6) BOARD DTV MODULE UNIT**



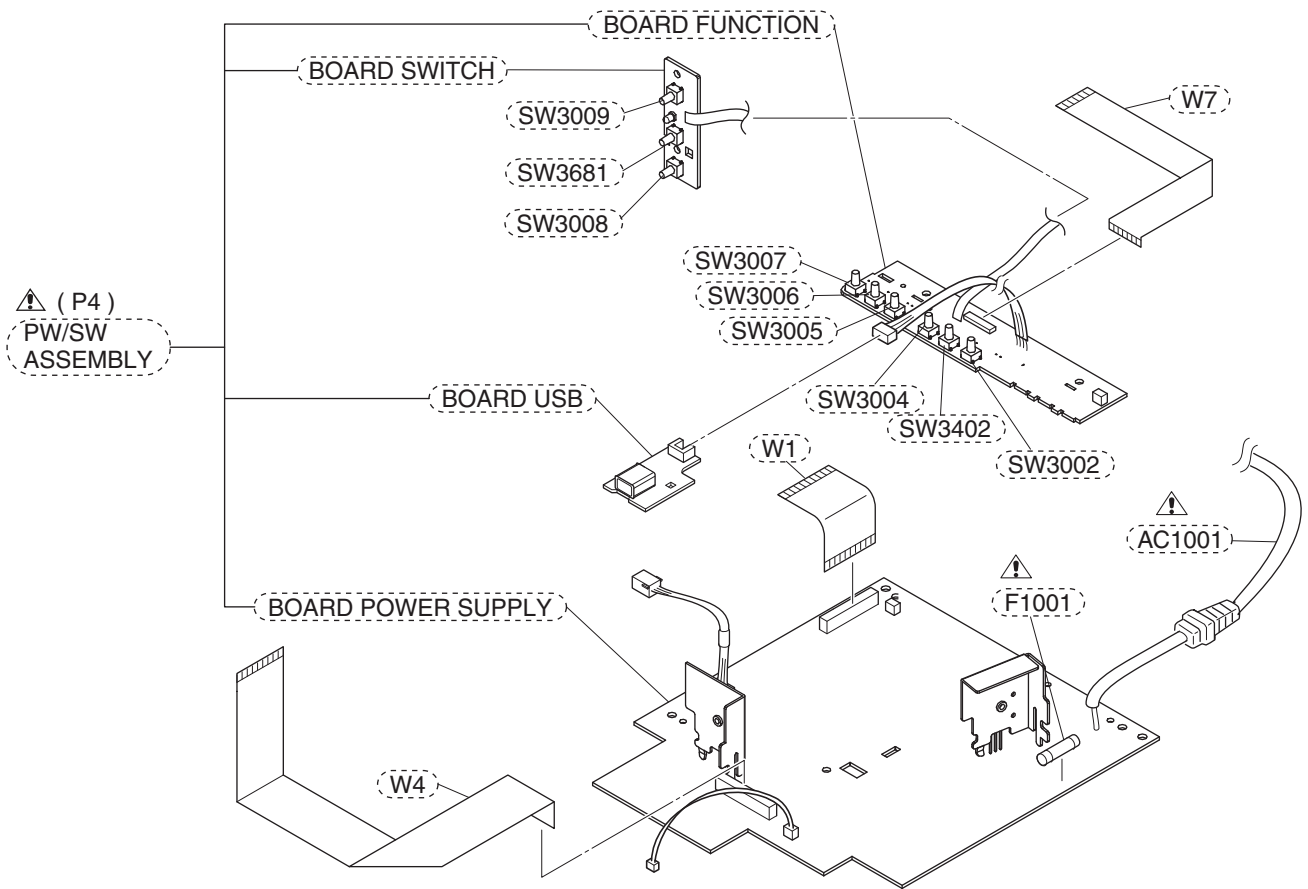
**(P2) DVD MECHANISM & DVD/HDD MAIN BOARD ASSEMBLY**



## (P3) BOARD SATA UNIT





## (P4) PW/SW ASSEMBLY





# MECHANICAL PARTS LIST

**PRODUCT SAFETY NOTE:** Products marked with a  have special characteristics important to safety. Before replacing any of these components, read carefully the product safety notice in this service manual. Don't degrade the safety of the product through improper servicing.

	Location No.	TSB P/N	Reference No.	Description
	A-1X	79104468	1VM122720	PANEL FRONT E3TK0FD
	A-3	79104469	1VM328481	COVER TOP E3TG0FD
	1B1	79103354	N25E1FL	DECK ASSEMBLY CZD014/ VM25E0
	1B3	79104490	UHDD160HT003	HARD DISK DRIVE 160GB HDT721016SLA380
	B-15	79103705	1VM427939	RUBBER CUSHION(TOP BOARD ASSEMBLY E3NG0FD)
	B-22	79103345	1VM422863	HDD RUBBER E4350JD
	B-25	79103702	0VM416664C	CUSHION RUBBER E9400UD
	B-48	79104546	1VM430559	SPONGE E2S00UD
	B37A	79104095	WX1N9680-002	CM-12PIN FFC
	FM1001	79103715	MMEZR12XNR04	MOTOR DC FAN 2D65BK100230
	W2	79104453	WX1E3TK0-005	WIRE ASSEMBLY 40PIN FFC WX1E3TK0-005
	W11	79103720	WPZ0331WJ001	IEEE1394 CABLE JE-1710-9
<b>ACCESSORIES</b>				
	X1	79104485	NB831ED	REMOTE CONTROL UNIT NB831ED
	X-2A	79104748	1VMN27920	OWNERS MANUAL(EN) E3TK3FD
	X-2B	79104749	1VMN27921	OWNERS MANUAL(FR) E3TK3FD
	X-2C	79104750	1VMN27922	OWNERS MANUAL(IT) E3TK3FD
	X-2D	79104751	1VMN27923	OWNERS MANUAL(DE) E3TK3FD
	X-6	79103090	WPZ0122LG001	RF CORD PAL 1.2M
	X-38A	79104752	1VMN27924	BRIEF OWNERS MANUAL(NL) E3TK3FD
	X-38B	79104753	1VMN27925	BRIEF OWNERS MANUAL(EL) E3TK3FD
	X-38C	79104754	1VMN27926	BRIEF OWNERS MANUAL(NO) E3TK3FD
	X-38D	79104755	1VMN27927	BRIEF OWNERS MANUAL(SV) E3TK3FD

# ELECTRICAL PARTS LIST

**PRODUCT SAFETY NOTE:** Products marked with a  $\triangle$  have special characteristics important to safety. Before replacing any of these components, read carefully the product safety notice in this service manual. Don't degrade the safety of the product through improper servicing.

## NOTES:

- Parts that are not assigned part numbers (-----) are not available.
- Tolerance of Capacitors and Resistors are noted with the following symbols.

C..... $\pm$ 0.25%    D..... $\pm$ 0.5%    F..... $\pm$ 1%  
 G..... $\pm$ 2%    J..... $\pm$ 5%    K..... $\pm$ 10%  
 M..... $\pm$ 20%    N..... $\pm$ 30%    Z.....+80/-20%

## DVD MECHANISM & DVD/HDD MAIN BOARD ASSEMBLY

$\triangle$	Location No.	TSB P/N	Reference No.	Description
$\triangle$	P2	79104759	N78EGFFN	DVD MECHANISM & DVD/HDD MAIN BOARD ASSEMBLY

## BOARD SATA UNIT

$\triangle$	Location No.	TSB P/N	Reference No.	Description
$\triangle$	P3	79104448	1VSA21304	BOARD SATA UNIT

## AV ASSEMBLY

$\triangle$	Location No.	TSB P/N	Reference No.	Description
$\triangle$	P1	79104756	(Not Available)	AV ASSEMBLY Consists of the following
		-----	-----	BOARD AV
	P5	79103349	1VSA13519	BOARD POWER SWITCH
	P6	79104758	N76TTCFD	BOARD SENSOR BOARD DTV MODULE UNIT BOARD REAR JACK

## BOARD AV

$\triangle$	Location No.	TSB P/N	Reference No.	Description
		-----	-----	BOARD AV
Following parts are included in BOARD AV.				
	SW521	79102423	SST0101AL041	TACT SWITCH SKQSAF001A
	SW522	79102423	SST0101AL041	TACT SWITCH SKQSAF001A
	SW523	79102423	SST0101AL041	TACT SWITCH SKQSAF001A
	SW524	79102423	SST0101AL041	TACT SWITCH SKQSAF001A
	SW525	79102423	SST0101AL041	TACT SWITCH SKQSAF001A
	SW1501	79102423	SST0101AL041	TACT SWITCH SKQSAF001A
	SW1502	79102423	SST0101AL041	TACT SWITCH SKQSAF001A
$\triangle$	TU1800	79103719	UTUNDTVMS004	TUNER UNIT ENG7710KF
	W3	79103723	WX1E3N00-003	WIRE ASSEMBLY 30PIN FFC WX1E3N00-003
	W8	79103725	WX1E3N00-006	WIRE ASSEMBLY 6PIN FFC WX1E3N00-006
	W14	79104489	WX1E3TK0-010	WIRE ASSEMBLY 5PIN FFC WX1E3TK0-010

## BOARD POWER SWITCH

$\triangle$	Location No.	TSB P/N	Reference No.	Description
		-----	-----	BOARD POWER SWITCH
Following part is included in BOARD POWER SWITCH.				
	SW674	79102423	SST0101AL041	TACT SWITCH SKQSAF001A

## BOARD SENSOR

$\triangle$	Location No.	TSB P/N	Reference No.	Description
	P5	79103349	1VSA13519	BOARD SENSOR

## BOARD DTV MODULE UNIT

$\triangle$	Location No.	TSB P/N	Reference No.	Description
	P6	79104758	N76TTCFD	BOARD DTV MODULE UNIT

## PW/SW ASSEMBLY

$\triangle$	Location No.	TSB P/N	Reference No.	Description
$\triangle$	P4	79104757	(Not Available)	PW/SW ASSEMBLY Consists of the following
		-----	-----	BOARD POWER SUPPLY
		-----	-----	BOARD FUNCTION
		-----	-----	BOARD SWITCH
		-----	-----	BOARD USB

## BOARD POWER SUPPLY

$\triangle$	Location No.	TSB P/N	Reference No.	Description
		-----	-----	BOARD POWER SUPPLY
Following parts are included in BOARD POWER SUPPLY.				
$\triangle$	C1001	79104698	CT2E473DC016	LINE ACROSS CAP. 0.047 $\mu$ F/ 250V K
$\triangle$	C1005	79104698	CT2E473DC016	LINE ACROSS CAP. 0.047 $\mu$ F/ 250V K
$\triangle$	C1006	79104481	CCN2EMA0E472	SAFTY CAP. 4700pF/250V M E
$\triangle$	C1007	79104481	CCN2EMA0E472	SAFTY CAP. 4700pF/250V M E
$\triangle$	C1050	79103607	CCN2EMA0E222	SAFTY CAP. 2200pF/250V
$\triangle$	C1051	79103607	CCN2EMA0E222	SAFTY CAP. 2200pF/250V
$\triangle$	IC1001	79102400	QPEWPS2561A1	PHOTOCOUPLER PS2561A- 1(W)
$\triangle$	IC1052	79102400	QPEWPS2561A1	PHOTOCOUPLER PS2561A- 1(W)
$\triangle$	L1003	79103713	LLEG0Z0Y2027	COIL LINE FILTER ST0710ET24- 013
$\triangle$	Q1001	79104059	QFQZSK3798QM	MOS FET 2SK3798(Q.M)
$\triangle$	R1001	79104451	RCX2565FS001	CARBON RES. 1/2W K 5.6M $\Omega$
$\triangle$	AC1001	79103290	WAE0172LW011	POWER CORD PE8G2CG9G0AB05
$\triangle$	F1001	79103718	PDGJBB0NG252	FUSE TIME RAG FIH 250V 2.5A
$\triangle$	RL1001	79104728	MRLEC05MS001	RELAY ALKP329
$\triangle$	SA1001	79102397	NVQZ10D471KB	SURGE ABSORBER 470V+- 10PER
$\triangle$	T1001	79104482	LTT3PE0KT053	TRANS POWER 8739
$\triangle$	T1051	79104699	LTT1PE0XB002	TRANS BCK-16-033T
	W1	79103721	WX1E3N00-001	WIRE ASSEMBLY 34PIN FFC WX1E3N00-001
	W4	79104731	WX1E3TK3-001	WIRE ASSEMBLY 30PIN FFC WX1E3TK3-001

## BOARD FUNCTION

△	Location No.	TSB P/N	Reference No.	Description
		-----	-----	BOARD FUNCTION
Following parts are included in BOARD FUNCTION.				
	SW3002	79102423	SST0101AL041	TACT SWITCH SKQSAF001A
	SW3004	79102423	SST0101AL041	TACT SWITCH SKQSAF001A
	SW3005	79102423	SST0101AL041	TACT SWITCH SKQSAF001A
	SW3006	79102423	SST0101AL041	TACT SWITCH SKQSAF001A
	SW3007	79102423	SST0101AL041	TACT SWITCH SKQSAF001A
	SW3402	79102423	SST0101AL041	TACT SWITCH SKQSAF001A
	W7	79104487	WX1E3TK0-007	WIRE ASSEMBLY 15PIN FFC WX1E3TK0-007

## BOARD SWITCH

△	Location No.	TSB P/N	Reference No.	Description
		-----	-----	BOARD SWITCH
Following parts are included in BOARD SWITCH.				
	SW3008	79102423	SST0101AL041	TACT SWITCH SKQSAF001A
	SW3009	79102423	SST0101AL041	TACT SWITCH SKQSAF001A
	SW3681	79102423	SST0101AL041	TACT SWITCH SKQSAF001A