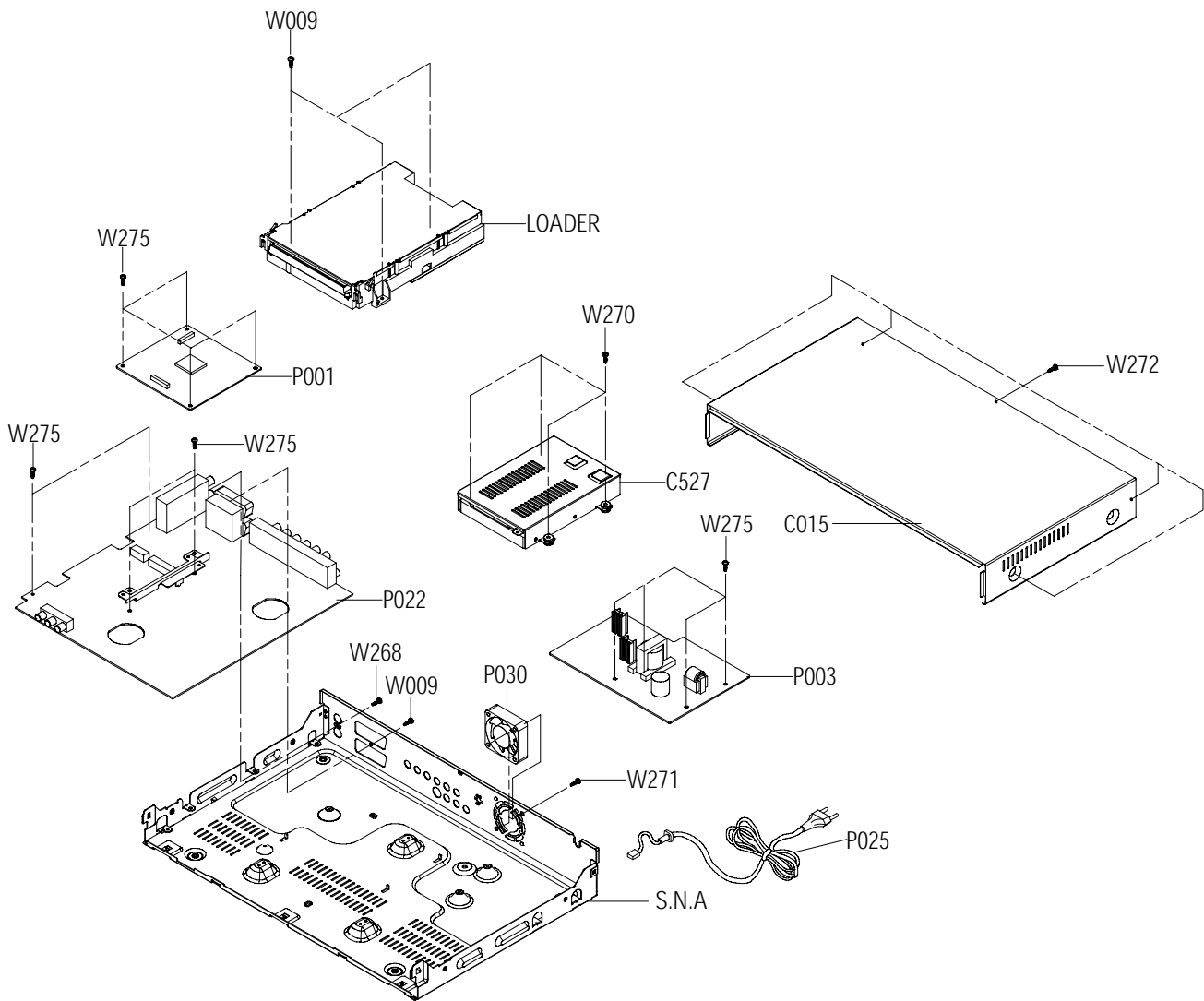
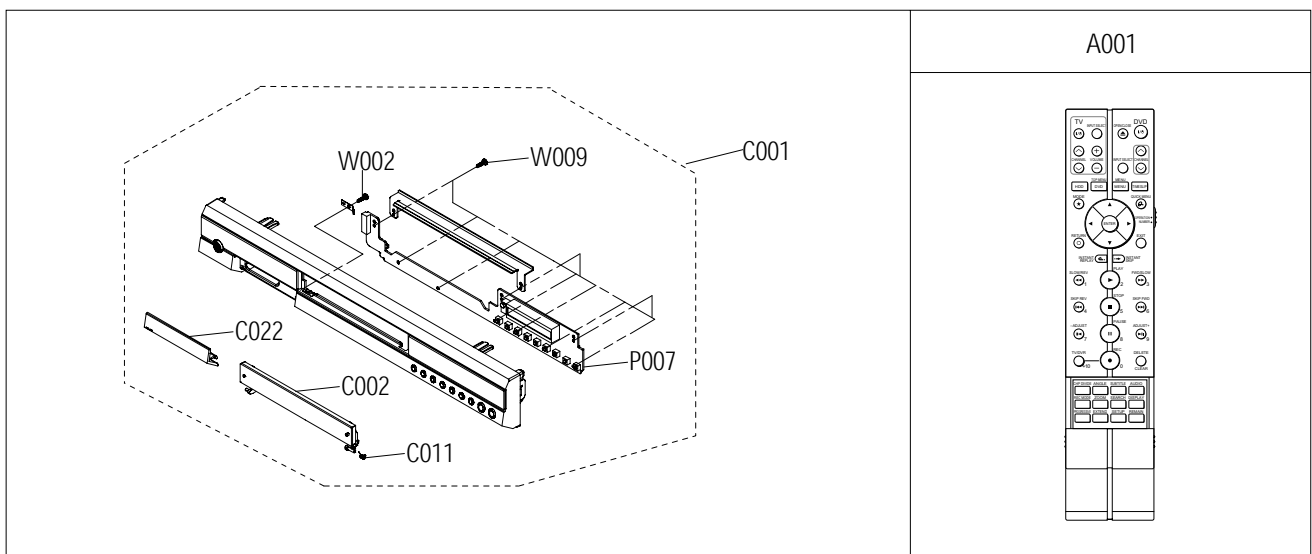


## 6-1 Cabinet Assembly



● **S.N.A.: Service Not Available**



Loc. No	Reference No.	TSB Parts No.	Description ; Specification	Remark
A001	AK59-00047A	BY731796	REMOCON-ASSY;RD-XS24STB/TSB,TSB,187.5*54	
C001	AK97-01369A	BY731793	ASSY FRONT CABINET;ASSY,RD-XS24,05-TSB D	RD-XS24SB
	AK97-01369B	BY731794	ASSY FRONT CABINET;ASSY,RD-XS24-TF-TG,05	RD-XS24SF,SG
C002	AK64-01407A	BY731779	DOOR-TRAY;D-R150,ABS HB,T2,W24,W157,2,BL	
C011	AK61-00137A	BY734044	SPRING ETC-DOOR;DVD-R4000,COIL,,,,,PI0.	
C015	AK64-01405A	BY731773	CABINET-TOP;D-R150/TSB,PCM,T0.6,W430,L28	
C022	AK64-01408A	BY731780	DOOR-FRONT;D-R150,ABS HB,T2,H28,WW89,2,G	
C527	MF59-00271B	BY635041	HDD;160GB,9W6024-266.63,16,16,383,	
LOADER	AK97-01400A	BY635038	ASSY-LOADER;- ,D-R150/RD-XS24,LOADER-DRIV	
P001	AK92-00792A	BY630593	ASSY PCB-MAIN;RD-XS24-TB,HDD RECORDER	RD-XS24SB
	AK92-00790A	BY630595	ASSY PCB-MAIN;RD-XS24-TF,HDD RECORDER	RD-XS24SF
	AK92-00791A	BY630596	ASSY PCB-MAIN;RD-XS24-TG,HDD RECORDER	RD-XS24SG
P003	AK92-00766B	BY630591	ASSY PCB-SMPS;RD-XS24,HDD-RECORDER	
P007	AK92-00765A	BY630542	ASSY PCB-KEY;D-R150,SINGLE RECORDER	
P022	AK92-00787A	BY630592	ASSY PCB-JACK;RD-XS24-TB,HDD RECORDER	RD-XS24SB
	AK92-00789A	BY630594	ASSY PCB-JACK;RD-XS24-TF,HDD RECORDER	RD-XS24SF
	AK92-00788A	BY630597	ASSY PCB-JACK;RD-XS24-TG,HDD RECORDER	RD-XS24SG
⚠ P025	3903-000175	BY634814	CBF-POWER CORD;AT,GB,GP2,HOUSING(2P),250	RD-XS24SB
	3903-000176	BY634777	CBF-POWER CORD;AT,EU,CP2,HOUSING(2P),250	RD-XS24SF,SG
P030	3103-001158	BY634994	FAN-DC;12V,20mA,2000rpm,0.125m^3/mi,7	
W002	6002-000398	BY731731	SCREW-TAPPING;BH,+,2,M3,L6,ZPC(YEL),SWCH	
W009	6003-000276	22797133	SCREW-TAPTITE;BH,+,B,M3,L10,ZPC(YEL),SWC	
W268	6003-000254	BY734068	SCREW-TAPTITE;BH,+,S,M3,L6,ZPC(WHT),SM20	
W270	6001-000742	BY734219	SCREW-MACHINE;PH,+,UNC6-32,L4.2,ZPC(WHT)	
W271	6009-001411	BY731644	SCREW-SPECIAL;TH,+,-,M5,L14,NI PLT,SWRCH	
W272	6003-001464	BY731645	SCREW-TAPTITE;BH,+,B,M3,L10,ZPC(WHT)	
W275	6003-001561	BY731750	SCREW-TAPTITE;BH,+,B,M3,L6,ZPC(YEL),SW	
⚠ I/B	AK68-00894A	BY635039	MANUAL USERS;RD-XS24SB,TSB,ENG,Operation	RD-XS24SB
⚠ I/B	AK68-00894B	BY635040	MANUAL USERS;RD-XS24SB,TSB,ENGLISH,INS G	RD-XS24SB
⚠ I/B	AK68-00907A	BY635042	MANUAL USERS;RD-XS24SF,TSB,ENG,Operation	RD-XS24SF
⚠ I/B	AK68-00907B	BY635043	MANUAL USERS;RD-XS24SF,TSB,ENG,Ins. Guid	RD-XS24SF
⚠ I/B	AK68-00908A	BY635044	MANUAL USERS;RD-XS24SF,TSB,FRA,Operation	RD-XS24SF
⚠ I/B	AK68-00908B	BY635045	MANUAL USERS;RD-XS24SF,TSB,FRA,Ins Guide	RD-XS24SF
⚠ I/B	AK68-00900A	BY635046	MANUAL USERS;RD-XS24SG,TSB,FRE,Operation	RD-XS24SG
⚠ I/B	AK68-00900B	BY635047	MANUAL USERS;RD-XS24SG,TSB,FRE,Ins. Guid	RD-XS24SG
⚠ I/B	AK68-00909A	BY635048	MANUAL USERS;RD-XS24SF,TSB,ENG,Operation	RD-XS24SG
⚠ I/B	AK68-00909B	BY635049	MANUAL USERS;RD-XS24SG,TSB,ENG,Ins. Guid	RD-XS24SG
⚠ I/B	AK68-00901A	BY635051	MANUAL USERS;RD-XS24SG,TSB,GER,Operation	RD-XS24SG
⚠ I/B	AK68-00901B	BY635052	MANUAL USERS;RD-XS24SG,TSB,GER,Ins. Guid	RD-XS24SG
⚠ I/B	AK68-00902A	BY635053	MANUAL USERS;RD-XS24SG,TSB,SPA,Operation	RD-XS24SG
⚠ I/B	AK68-00902B	BY635054	MANUAL USERS;RD-XS24SG,TSB,SPA,Ins Guide	RD-XS24SG
	AC39-00017A	BY634253	CABLE-ETC-RF(PAL);-,MALE/FEMALE,1200MM,R	RD-XS24SB,SG
	AC39-00018A	BY634851	CABLE-ETC-RF(SECAM);-,BOTH MALE,1200MM,R	RD-XS24SF
	AC39-42001R	BY644791	CABLE-A/V;PVC;-,-,3P;-,-,-	

# MEMO

## 7. Electrical Parts List

Loc. No	Reference No.	TSB Parts No.	Description ; Specification	Remark
P001	AK92-00792A	BY630593	ASSY PCB-MAIN;RD-XS24-TB,HDD RECORDER	RD-XS24SB
	AK92-00791A	BY630596	ASSY PCB-MAIN;RD-XS24-TG,HDD RECORDER	RD-XS24SG
	AK92-00790A	BY630595	ASSY PCB-MAIN;RD-XS24-TF,HDD RECORDER	RD-XS24SF
P022	AK92-00787A	BY630592	ASSY PCB-JACK;RD-XS24-TB,HDD RECORDER	RD-XS24SB
	AK92-00788A	BY630597	ASSY PCB-JACK;RD-XS24-TG,HDD RECORDER	RD-XS24SG
	AK92-00789A	BY630594	ASSY PCB-JACK;RD-XS24-TF,HDD RECORDER	RD-XS24SF
AB101	3301-000314	BY330074	BEAD-SMD;120ohm,1.6x0.8x0.8mm,150mA,...	
AB102	3301-000314	BY330074	BEAD-SMD;120ohm,1.6x0.8x0.8mm,150mA,...	
AC101	2203-005148	BY130480	C-CER,CHIP;100nF,10%,16V,X7R,TP,1608	
AC104	2203-005148	BY130480	C-CER,CHIP;100nF,10%,16V,X7R,TP,1608	
AC105	2203-005148	BY130480	C-CER,CHIP;100nF,10%,16V,X7R,TP,1608	
AC106	2203-000257	BY130440	C-CER,CHIP;10nF,10%,50V,X7R,TP,1608	
AC107	2203-005148	BY130480	C-CER,CHIP;100nF,10%,16V,X7R,TP,1608	
AC108	2203-000257	BY130440	C-CER,CHIP;10nF,10%,50V,X7R,TP,1608	
AC109	2203-000783	BY130435	C-CER,CHIP;0.33NF,5%,50V,COG,TP,1608	
AC110	2203-001656	BY130453	C-CER,CHIP;0.47nF,5%,50V,NP0,1608	
AC111	2203-000140	BY130459	C-CER,CHIP;1.5nF,10%,50V,X7R,1608	
AC112	2203-000783	BY130435	C-CER,CHIP;0.33NF,5%,50V,COG,TP,1608	
AC113	2203-000783	BY130435	C-CER,CHIP;0.33NF,5%,50V,COG,TP,1608	
AC114	2203-005148	BY130480	C-CER,CHIP;100nF,10%,16V,X7R,TP,1608	
AC115	2203-005148	BY130480	C-CER,CHIP;100nF,10%,16V,X7R,TP,1608	
AC116	2203-005148	BY130480	C-CER,CHIP;100nF,10%,16V,X7R,TP,1608	
AC117	2203-005148	BY130480	C-CER,CHIP;100nF,10%,16V,X7R,TP,1608	
AC118	2203-000257	BY130440	C-CER,CHIP;10nF,10%,50V,X7R,TP,1608	
AC119	2203-001607	BY130451	C-CER,CHIP;0.22nF,5%,50V,NP0,-,1608	
AC120	2203-000783	BY130435	C-CER,CHIP;0.33NF,5%,50V,COG,TP,1608	
AC121	2203-001656	BY130453	C-CER,CHIP;0.47nF,5%,50V,NP0,1608	
AC122	2203-005148	BY130480	C-CER,CHIP;100nF,10%,16V,X7R,TP,1608	
AC123	2203-005148	BY130480	C-CER,CHIP;100nF,10%,16V,X7R,TP,1608	
AC124	2203-000998	BY130446	C-CER,CHIP;0.047NF,5%,50V,COG,TP,1608	
AC125	2203-005065	BY130479	C-CER,CHIP;1000nF,+80-20%,10V,Y5V,1608	
AC126	2203-000140	BY130459	C-CER,CHIP;1.5nF,10%,50V,X7R,1608	
AC127	2203-005148	BY130480	C-CER,CHIP;100nF,10%,16V,X7R,TP,1608	
AC128	2203-005148	BY130480	C-CER,CHIP;100nF,10%,16V,X7R,TP,1608	
AC129	2203-001607	BY130451	C-CER,CHIP;0.22nF,5%,50V,NP0,-,1608	
AC130	2203-000125	BY130520	C-CER,CHIP;1.2nF,10%,50V,X7R,TP,1608,-	
AC131	2203-000125	BY130520	C-CER,CHIP;1.2nF,10%,50V,X7R,TP,1608,-	
AC132	2203-000315	BY130441	C-CER,CHIP;0.12NF,5%,50V,COG,TP,1608	
AC133	2203-000315	BY130441	C-CER,CHIP;0.12NF,5%,50V,COG,TP,1608	
AC134	2203-000160	BY130524	C-CER,CHIP;0.0015NF,0.25PF,50V,COG,TP,16	
AC135	2203-005148	BY130480	C-CER,CHIP;100nF,10%,16V,X7R,TP,1608	
AC136	2203-000160	BY130524	C-CER,CHIP;0.0015NF,0.25PF,50V,COG,TP,16	
AC139	2203-000491	BY130443	C-CER,CHIP;2.2nF,10%,50V,X7R,TP,1608,-	
AC140	2203-000491	BY130443	C-CER,CHIP;2.2nF,10%,50V,X7R,TP,1608,-	
AC141	2203-005065	BY130479	C-CER,CHIP;1000nF,+80-20%,10V,Y5V,1608	
AC142	2203-005148	BY130480	C-CER,CHIP;100nF,10%,16V,X7R,TP,1608	
AC143	2203-005148	BY130480	C-CER,CHIP;100nF,10%,16V,X7R,TP,1608	
AC144	2203-005148	BY130480	C-CER,CHIP;100nF,10%,16V,X7R,TP,1608	
AC145	2203-005148	BY130480	C-CER,CHIP;100nF,10%,16V,X7R,TP,1608	
AC146	2203-005148	BY130480	C-CER,CHIP;100nF,10%,16V,X7R,TP,1608	
AC147	2203-005148	BY130480	C-CER,CHIP;100nF,10%,16V,X7R,TP,1608	
AC148	2203-001656	BY130453	C-CER,CHIP;0.47nF,5%,50V,NP0,1608	
AC149	2203-000440	BY130462	C-CER,CHIP;1nF,10%,50V,X7R,TP,1608,-	
AC150	2203-001656	BY130453	C-CER,CHIP;0.47nF,5%,50V,NP0,1608	
AC151	2203-005148	BY130480	C-CER,CHIP;100nF,10%,16V,X7R,TP,1608	
AC152	2203-000440	BY130462	C-CER,CHIP;1nF,10%,50V,X7R,TP,1608,-	
AC156	2203-005571	BY130528	C-CER,CHIP;10000nF,+80-20%,6.3V,Y5V,-,20	
AC157	2203-005571	BY130528	C-CER,CHIP;10000nF,+80-20%,6.3V,Y5V,-,20	
AC158	2203-005571	BY130528	C-CER,CHIP;10000nF,+80-20%,6.3V,Y5V,-,20	
AC159	2203-005571	BY130528	C-CER,CHIP;10000nF,+80-20%,6.3V,Y5V,-,20	
AD101	0407-000114	BY430113	DIODE-ARRAY;DAN202K,80V,100mA,CA2-3,SOT-	

Electrical Parts List

Loc. No	Reference No.	TSB Parts No.	Description ; Specification	Remark
AD102	0407-000114	BY430113	DIODE-ARRAY;DAN202K,80V,100mA,CA2-3,SOT-	
AD103	0407-000114	BY430113	DIODE-ARRAY;DAN202K,80V,100mA,CA2-3,SOT-	
AD104	0407-000114	BY430113	DIODE-ARRAY;DAN202K,80V,100mA,CA2-3,SOT-	
AD105	0407-000114	BY430113	DIODE-ARRAY;DAN202K,80V,100mA,CA2-3,SOT-	
AD106	0402-000127	70796385	DIODE-RECTIFIER;1N4002,100V,1A,DO-41,TP	
AD107	0401-000101	70795150	DIODE-SWITCHING;1N4148,75V,150mA,DO-35,T	
AE101	2401-001250	70796211	C-AL;4.7uF,20%,35V,GP,TP,4x5,5	
AE102	2401-001250	70796211	C-AL;4.7uF,20%,35V,GP,TP,4x5,5	
AE103	2401-000426	BY130103	C-AL;10uF,20%,16V,GP,TP,3.5x5,5	
AE104	2401-000922	BY130044	C-AL;22uF,20%,16V,GP,TP,5x5,5	
AE105	2401-000922	BY130044	C-AL;22uF,20%,16V,GP,TP,5x5,5	
AE106	2401-000426	BY130103	C-AL;10uF,20%,16V,GP,TP,3.5x5,5	
AE107	2401-000426	BY130103	C-AL;10uF,20%,16V,GP,TP,3.5x5,5	
AE108	2401-000303	70795779	C-AL;100uF,20%,25V,GP,TP,6.3x11,5	
AE109	2401-003221	BY130499	C-AL;100uF,20%,16V,GP,TP,8X5,2.5	
AE110	2401-001507	70795621	C-AL;47uF,20%,16V,GP,TP,6.3x5,5	
AE111	2401-000426	BY130103	C-AL;10uF,20%,16V,GP,TP,3.5x5,5	
AE112	2401-001020	BY130159	C-AL;3.3UF,20%,50V,GP,TP,4X7,5	
AE113	2401-001730	70795625	C-AL;10UF,20%,50V,GP,TP,5X11,5	
AE114A	2007-000029	70795513	R-CHIP;0ohm,5%,1/8W,TP,2012	
AE115	2401-000426	BY130103	C-AL;10uF,20%,16V,GP,TP,3.5x5,5	
AE116	2401-003221	BY130499	C-AL;100uF,20%,16V,GP,TP,8X5,2.5	
AE117A	3811-000389	70693052	WIRE-NO SHEATH CU;SPCW,300V,52.4mm,1/0.5	
AE118	2401-003221	BY130499	C-AL;100uF,20%,16V,GP,TP,8X5,2.5	
AE119	2401-000426	BY130103	C-AL;10uF,20%,16V,GP,TP,3.5x5,5	
AE120	2401-000426	BY130103	C-AL;10uF,20%,16V,GP,TP,3.5x5,5	
AE121	2401-003221	BY130499	C-AL;100uF,20%,16V,GP,TP,8X5,2.5	
AE122	2401-002095	BY130048	C-AL;47uF,20%,25V,GP,TP,6.3x5,5	
AE123	2401-000426	BY130103	C-AL;10uF,20%,16V,GP,TP,3.5x5,5	
AE124	2401-000426	BY130103	C-AL;10uF,20%,16V,GP,TP,3.5x5,5	
AE125	2401-000426	BY130103	C-AL;10uF,20%,16V,GP,TP,3.5x5,5	
AE126	2401-000426	BY130103	C-AL;10uF,20%,16V,GP,TP,3.5x5,5	
AE127	2401-000426	BY130103	C-AL;10uF,20%,16V,GP,TP,3.5x5,5	
AE128	2401-000426	BY130103	C-AL;10uF,20%,16V,GP,TP,3.5x5,5	
AE129	2401-000426	BY130103	C-AL;10uF,20%,16V,GP,TP,3.5x5,5	
AE130	2401-000426	BY130103	C-AL;10uF,20%,16V,GP,TP,3.5x5,5	
AE131	2401-002095	BY130048	C-AL;47uF,20%,25V,GP,TP,6.3x5,5	
AE132	2401-000249	BY130560	C-AL;100uF,20%,10V,GP,TP,6.3x5,5	
AE133	2401-000249	BY130560	C-AL;100uF,20%,10V,GP,TP,6.3x5,5	
AE134	2401-000426	BY130103	C-AL;10uF,20%,16V,GP,TP,3.5x5,5	
AE135	2401-000426	BY130103	C-AL;10uF,20%,16V,GP,TP,3.5x5,5	
AE136	2401-002095	BY130048	C-AL;47uF,20%,25V,GP,TP,6.3x5,5	
AE137	2401-000426	BY130103	C-AL;10uF,20%,16V,GP,TP,3.5x5,5	
AE138	2401-000426	BY130103	C-AL;10uF,20%,16V,GP,TP,3.5x5,5	
AE140	2401-002095	BY130048	C-AL;47uF,20%,25V,GP,TP,6.3x5,5	
AIC01	1204-001765	BY631149	IC-AUDIO PROCESSOR;MSP3417D(PQFP),PQFP,4	
AIC02	0801-001270	BY631325	IC-CMOS LOGIC;4052,MUX/DEMUX,SOP,16,150M	
AIC03	1002-001442	BY631344	IC-A/D CONVERTER;AK5357,24,TSSOP,16P,5x4	
AIC04	1002-001395	BY631337	IC-D/A CONVERTER;PCM1753,24Bit,SSOP,16P,	
AIC05	1201-000163	BY631232	IC-OP AMP;4560,SOP,8P,173MIL,DUAL,100V/m	
AIC06	1201-000163	BY631232	IC-OP AMP;4560,SOP,8P,173MIL,DUAL,100V/m	
AIC07	0801-001270	BY631325	IC-CMOS LOGIC;4052,MUX/DEMUX,SOP,16,150M	
AIC08	AH14-10004R	BY631252	IC;M74HCU04,SOP,TAPE 14P	
AIC09	1203-002178	BY631234	IC-POSIFIXED REG.;1563,SOP,7P,173MIL,PL	
AIC10	1203-003180	BY631307	IC-POSIFIXED REG.;MM1565,SOP,7P,5x4.4mm	
AL101	2701-000188	70796075	INDUCTOR-AXIAL;4.7uH,5%,2434	
AL102	2701-000181	BY330053	INDUCTOR-AXIAL;33uH,5%,2434	
AL103	2701-000181	BY330053	INDUCTOR-AXIAL;33uH,5%,2434	
AL104	2701-000188	70796075	INDUCTOR-AXIAL;4.7uH,5%,2434	
AL105	2901-001125	BY330094	FILTER-EMI ON BOARD;50V,0.5A,-,220pF,7x2	
AL106	2701-000181	BY330053	INDUCTOR-AXIAL;33uH,5%,2434	
AL107	2701-000181	BY330053	INDUCTOR-AXIAL;33uH,5%,2434	
AL108	2701-000188	70796075	INDUCTOR-AXIAL;4.7uH,5%,2434	
AQ101	0501-000341	BY530073	TR-SMALL SIGNAL;KSC1623-L,NPN,200mW,SOT-	
AQ102	0501-000341	BY530073	TR-SMALL SIGNAL;KSC1623-L,NPN,200mW,SOT-	
AQ103	0504-000128	BY530074	TR-DIGITAL;- ,NPN,200MW,22K/22K,SOT-23,TP	
AQ104	0504-000156	BY530075	TR-DIGITAL;KSR2103,PNP,200MW,22K/22K,SOT	
AQ105	0504-000128	BY530074	TR-DIGITAL;- ,NPN,200MW,22K/22K,SOT-23,TP	
AQ106	0504-000156	BY530075	TR-DIGITAL;KSR2103,PNP,200MW,22K/22K,SOT	

Loc. No	Reference No.	TSB Parts No.	Description ; Specification	Remark
AQ107	0504-000128	BY530074	TR-DIGITAL;- ,NPN,200MW,22K/22K,SOT-23,TP	
AQ108	0504-000156	BY530075	TR-DIGITAL;KSR2103,PNP,200MW,22K/22K,SOT	
AQ109	0501-000002	BY430105	TR-SMALL SIGNAL;KSA812,PNP,150MW,SOT-23,	
AQ110	0504-000156	BY530075	TR-DIGITAL;KSR2103,PNP,200MW,22K/22K,SOT	
AQ111	0504-000128	BY530074	TR-DIGITAL;- ,NPN,200MW,22K/22K,SOT-23,TP	
AQ112	0504-000156	BY530075	TR-DIGITAL;KSR2103,PNP,200MW,22K/22K,SOT	
AQ113	0504-000128	BY530074	TR-DIGITAL;- ,NPN,200MW,22K/22K,SOT-23,TP	
AQ114	0504-000128	BY530074	TR-DIGITAL;- ,NPN,200MW,22K/22K,SOT-23,TP	
AQ115	0504-000156	BY530075	TR-DIGITAL;KSR2103,PNP,200MW,22K/22K,SOT	
AR101	2007-000090	BY230285	R-CHIP;10Kohm,5%,1/10W,TP,1608	
AR102	2007-000090	BY230285	R-CHIP;10Kohm,5%,1/10W,TP,1608	
AR105	2007-001134	BY230381	R-CHIP;68ohm,5%,1/10W,TP,1608	
AR106	2007-000309	BY230391	R-CHIP;10ohm,5%,1/10W,TP,1608	
AR107	2007-000124	BY230295	R-CHIP;2.2Kohm,5%,1/10W,TP,1608	
AR108	2007-000097	BY230290	R-CHIP;47Kohm,5%,1/10W,TP,1608	
AR110	2007-000075	BY230277	R-CHIP;220ohm,5%,1/10W,TP,1608	
AR111	2007-000075	BY230277	R-CHIP;220ohm,5%,1/10W,TP,1608	
AR113	2007-000075	BY230277	R-CHIP;220ohm,5%,1/10W,TP,1608	
AR114	2007-000075	BY230277	R-CHIP;220ohm,5%,1/10W,TP,1608	
AR116	2007-000074	BY230276	R-CHIP;100ohm,5%,1/10W,TP,1608	
AR118	2001-000281	70795004	R-CARBON;100OHM,5%,1/8W,AA,TP,1.8X3.2MM	
AR119	2007-000113	BY230328	R-CHIP;33ohm,5%,1/10W,TP,1608	
AR122	2007-000074	BY230276	R-CHIP;100ohm,5%,1/10W,TP,1608	
AR123	2007-000075	BY230277	R-CHIP;220ohm,5%,1/10W,TP,1608	
AR124	2007-000074	BY230276	R-CHIP;100ohm,5%,1/10W,TP,1608	
AR125	2007-000075	BY230277	R-CHIP;220ohm,5%,1/10W,TP,1608	
AR126	2007-000082	BY230233	R-CHIP;3.3Kohm,5%,1/10W,TP,1608	
AR128	2007-000074	BY230276	R-CHIP;100ohm,5%,1/10W,TP,1608	
AR129	2001-000837	70795045	R-CARBON;51KOHM,5%,1/8W,AA,TP,1.8X3.2MM	
AR132	2007-001010	BY230360	R-CHIP;51Kohm,5%,1/10W,TP,1608	
AR133	2007-000075	BY230277	R-CHIP;220ohm,5%,1/10W,TP,1608	
AR134	2001-000515	70795019	R-CARBON;220OHM,5%,1/8W,AA,TP,1.8X3.2MM	
AR135	2007-001010	BY230360	R-CHIP;51Kohm,5%,1/10W,TP,1608	
AR136	2007-001010	BY230360	R-CHIP;51Kohm,5%,1/10W,TP,1608	
AR137	2001-000429	70795005	R-CARBON;1KOHM,5%,1/8W,AA,TP,1.8X3.2MM	
AR138	2007-000078	BY230279	R-CHIP;1Kohm,5%,1/10W,TP,1608	
AR139	2001-000429	70795005	R-CARBON;1KOHM,5%,1/8W,AA,TP,1.8X3.2MM	
AR140	2007-000078	BY230279	R-CHIP;1Kohm,5%,1/10W,TP,1608	
AR141	2007-000102	BY230292	R-CHIP;100Kohm,5%,1/10W,TP,1608	
AR142	2007-000077	BY230278	R-CHIP;470ohm,5%,1/10W,TP,1608	
AR143	2007-000076	BY230310	R-CHIP;330ohm,5%,1/10W,TP,1608	
AR144	2007-001167	BY230304	R-CHIP;75ohm,5%,1/10W,TP,1608	
AR146	2007-001010	BY230360	R-CHIP;51Kohm,5%,1/10W,TP,1608	
AR147	2007-001010	BY230360	R-CHIP;51Kohm,5%,1/10W,TP,1608	
AR148	2007-000092	BY230287	R-CHIP;15Kohm,5%,1/10W,TP,1608	
AR149	2007-000092	BY230287	R-CHIP;15Kohm,5%,1/10W,TP,1608	
AR150	2007-000070	BY230274	R-CHIP;0ohm,5%,1/10W,TP,1608	
AR151	2007-000090	BY230285	R-CHIP;10Kohm,5%,1/10W,TP,1608	
AR152	2007-000075	BY230277	R-CHIP;220ohm,5%,1/10W,TP,1608	
AR153	2007-000075	BY230277	R-CHIP;220ohm,5%,1/10W,TP,1608	
AR154	2007-000075	BY230277	R-CHIP;220ohm,5%,1/10W,TP,1608	
AR155	2007-000122	BY230294	R-CHIP;1.2Kohm,5%,1/10W,TP,1608	
AR156	2007-000090	BY230285	R-CHIP;10Kohm,5%,1/10W,TP,1608	
AR157	2007-000122	BY230294	R-CHIP;1.2Kohm,5%,1/10W,TP,1608	
AR158	2007-000090	BY230285	R-CHIP;10Kohm,5%,1/10W,TP,1608	
AR159	2007-000070	BY230274	R-CHIP;0ohm,5%,1/10W,TP,1608	
AR160	2007-000090	BY230285	R-CHIP;10Kohm,5%,1/10W,TP,1608	
AR161	2007-000075	BY230277	R-CHIP;220ohm,5%,1/10W,TP,1608	
AR162	2007-000075	BY230277	R-CHIP;220ohm,5%,1/10W,TP,1608	
AR163	2007-000075	BY230277	R-CHIP;220ohm,5%,1/10W,TP,1608	
AR165	2001-000347	70795605	R-CARBON;13KOHM,5%,1/8W,AA,TP,1.8X3.2MM	
AR166	2007-000381	BY230323	R-CHIP;13Kohm,5%,1/10W,TP,1608	
AR167	2007-000078	BY230279	R-CHIP;1Kohm,5%,1/10W,TP,1608	
AR168	2007-000084	BY230282	R-CHIP;4.7Kohm,5%,1/10W,TP,1608	
AR169	2001-000734	70795040	R-CARBON;4.7KOHM,5%,1/8W,AA,TP,1.8X3.2M	
AR170	2007-000084	BY230282	R-CHIP;4.7Kohm,5%,1/10W,TP,1608	
AR171	2007-000074	BY230276	R-CHIP;100ohm,5%,1/10W,TP,1608	
AR172	2001-000281	70795004	R-CARBON;100OHM,5%,1/8W,AA,TP,1.8X3.2MM	
AR173	2007-000078	BY230279	R-CHIP;1Kohm,5%,1/10W,TP,1608	

## Electrical Parts List

Loc. No	Reference No.	TSB Parts No.	Description ; Specification	Remark
AR174	2007-000129	BY230307	R-CHIP;27Kohm,5%,1/10W,TP,1608	
AR175	2007-000074	BY230276	R-CHIP;100ohm,5%,1/10W,TP,1608	
AR176	2007-000078	BY230279	R-CHIP;1Kohm,5%,1/10W,TP,1608	
AR178	2007-000078	BY230279	R-CHIP;1Kohm,5%,1/10W,TP,1608	
AR179	2007-000078	BY230279	R-CHIP;1Kohm,5%,1/10W,TP,1608	
AR180	2007-000078	BY230279	R-CHIP;1Kohm,5%,1/10W,TP,1608	
AR184	2007-000070	BY230274	R-CHIP;0ohm,5%,1/10W,TP,1608	
AR185	2001-000281	70795004	R-CARBON;100OHM,5%,1/8W,AA,TP,1.8X3.2MM	
AR186	2001-000793	70796129	R-CARBON;47OHM,5%,1/8W,AA,TP,1.8X3.2MM	
AR187	2001-000793	70796129	R-CARBON;47OHM,5%,1/8W,AA,TP,1.8X3.2MM	
AR188	2001-000347	70795605	R-CARBON;13KOHM,5%,1/8W,AA,TP,1.8X3.2MM	
AR189	2001-000347	70795605	R-CARBON;13KOHM,5%,1/8W,AA,TP,1.8X3.2MM	
AR190	2001-000347	70795605	R-CARBON;13KOHM,5%,1/8W,AA,TP,1.8X3.2MM	
AR191	2007-000381	BY230323	R-CHIP;13Kohm,5%,1/10W,TP,1608	
AR192	2001-000347	70795605	R-CARBON;13KOHM,5%,1/8W,AA,TP,1.8X3.2MM	
AR193	2007-000381	BY230323	R-CHIP;13Kohm,5%,1/10W,TP,1608	
AR194	2007-000097	BY230290	R-CHIP;47Kohm,5%,1/10W,TP,1608	
AR195	2007-000097	BY230290	R-CHIP;47Kohm,5%,1/10W,TP,1608	
AR196	2007-000097	BY230290	R-CHIP;47Kohm,5%,1/10W,TP,1608	
AR197	2007-000097	BY230290	R-CHIP;47Kohm,5%,1/10W,TP,1608	
AR198	2007-000097	BY230290	R-CHIP;47Kohm,5%,1/10W,TP,1608	
AR199	2007-000097	BY230290	R-CHIP;47Kohm,5%,1/10W,TP,1608	
AR200	2007-000097	BY230290	R-CHIP;47Kohm,5%,1/10W,TP,1608	
AR201	2007-000097	BY230290	R-CHIP;47Kohm,5%,1/10W,TP,1608	
AR202	2007-000097	BY230290	R-CHIP;47Kohm,5%,1/10W,TP,1608	
AR203	2007-000097	BY230290	R-CHIP;47Kohm,5%,1/10W,TP,1608	
AR204	2007-000102	BY230292	R-CHIP;100Kohm,5%,1/10W,TP,1608	
AR205	2007-000102	BY230292	R-CHIP;100Kohm,5%,1/10W,TP,1608	
AR206	2007-000102	BY230292	R-CHIP;100Kohm,5%,1/10W,TP,1608	
AR207	2007-000102	BY230292	R-CHIP;100Kohm,5%,1/10W,TP,1608	
AR208	2007-000102	BY230292	R-CHIP;100Kohm,5%,1/10W,TP,1608	
AR209	2007-000102	BY230292	R-CHIP;100Kohm,5%,1/10W,TP,1608	
AR210	2007-000102	BY230292	R-CHIP;100Kohm,5%,1/10W,TP,1608	
AR211	2007-000102	BY230292	R-CHIP;100Kohm,5%,1/10W,TP,1608	
AR212	2001-000429	70795005	R-CARBON;1KOHM,5%,1/8W,AA,TP,1.8X3.2MM	
AR213	2001-000429	70795005	R-CARBON;1KOHM,5%,1/8W,AA,TP,1.8X3.2MM	
AR214	2007-000070	BY230274	R-CHIP;0ohm,5%,1/10W,TP,1608	
AR215	2007-000070	BY230274	R-CHIP;0ohm,5%,1/10W,TP,1608	
AR220	2001-000273	70795007	R-CARBON;100KOHM,5%,1/8W,AA,TP,1.8X3.2M	
AR221	2007-000102	BY230292	R-CHIP;100Kohm,5%,1/10W,TP,1608	
AR222	2007-001010	BY230360	R-CHIP;51Kohm,5%,1/10W,TP,1608	
AR223	2007-001010	BY230360	R-CHIP;51Kohm,5%,1/10W,TP,1608	
AY101	2801-004096	BY631285	CRYSTAL-UNIT;18.432MHZ,20PPM,28-AAA,16PF	
CON04	3708-001802	BY635008	CONNECTOR-FPC/FFC/PIC;10P,1.25MM,STRAIGH	
CON05	3711-001246	BY634998	HEADER-BOARD TO BOARD;NOWALL,12P,1R,2.5m	
CON06	3711-001246	BY634998	HEADER-BOARD TO BOARD;NOWALL,12P,1R,2.5m	
FD101	0401-000101	70795150	DIODE-SWITCHING;1N4148,75V,150mA,DO-35,T	
FS101	3404-000165	BY632001	SWITCH-TACT;12V,50mA,160gf,6x6mm,SPST	
JACK1	3722-002111	BY634890	JACK-PIN;6P+1P,SN/NI,RED/WHT/YEL/BLK,AN	
JACK2	3722-002318	BY635006	JACK-PIN;3P(7P),SN/NI,RED/BLU/GRN,ANGLE	
JACK3	3722-002321	BY634999	JACK-SCART;42P,-,SN+PB,BLK,-	
JACK4	3722-001943	BY634864	JACK-PIN;3P,8.3PI,NI,BLK,-	
JACK4A	AK63-00242A	BY734114	GROUND-A V;DVD-R120,PBS,TO.2,W60,L45,YEL	
MC101	2203-000384	BY130521	C-CER,CHIP;0.015NF,5%,50V,C0G,TP,1608	
MC102	2203-000626	BY130444	C-CER,CHIP;0.022nf,5%,50V,C0G,TP,1608	
MC103	2203-001656	BY130453	C-CER,CHIP;0.47nf,5%,50V,NP0,1608	
MC104	2203-001656	BY130453	C-CER,CHIP;0.47nf,5%,50V,NP0,1608	
MC105	2203-001656	BY130453	C-CER,CHIP;0.47nf,5%,50V,NP0,1608	
MC106	2203-001656	BY130453	C-CER,CHIP;0.47nf,5%,50V,NP0,1608	
MC107	2203-000236	BY130439	C-CER,CHIP;0.1NF,5%,50V,C0G,TP,1608	
MC108	2203-001656	BY130453	C-CER,CHIP;0.47nf,5%,50V,NP0,1608	
MC109	2203-000626	BY130444	C-CER,CHIP;0.022nf,5%,50V,C0G,TP,1608	
MC110	2203-000384	BY130521	C-CER,CHIP;0.015NF,5%,50V,C0G,TP,1608	
MC111	2203-000257	BY130440	C-CER,CHIP;10nf,10%,50V,X7R,TP,1608	
MC112	2203-000236	BY130439	C-CER,CHIP;0.1NF,5%,50V,C0G,TP,1608	
MC113	2203-005148	BY130480	C-CER,CHIP;100nf,10%,16V,X7R,TP,1608	
MC114	2203-005148	BY130480	C-CER,CHIP;100nf,10%,16V,X7R,TP,1608	
MC115	2203-005148	BY130480	C-CER,CHIP;100nf,10%,16V,X7R,TP,1608	
MC116	2203-005148	BY130480	C-CER,CHIP;100nf,10%,16V,X7R,TP,1608	

Loc. No	Reference No.	TSB Parts No.	Description ; Specification	Remark
MC117	2203-005148	BY130480	C-CER,CHIP;100nF,10%,16V,X7R,TP,1608	
MC118	2203-005148	BY130480	C-CER,CHIP;100nF,10%,16V,X7R,TP,1608	
MC119	2203-005148	BY130480	C-CER,CHIP;100nF,10%,16V,X7R,TP,1608	
MC120	2203-005148	BY130480	C-CER,CHIP;100nF,10%,16V,X7R,TP,1608	
MC121	2203-005148	BY130480	C-CER,CHIP;100nF,10%,16V,X7R,TP,1608	
MC122	2203-000257	BY130440	C-CER,CHIP;10nF,10%,50V,X7R,TP,1608	
MC123	2203-005148	BY130480	C-CER,CHIP;100nF,10%,16V,X7R,TP,1608	
ME101	2404-000256	BY130511	C-TA,CHIP;47UF,20%,16V,GP,TP,7343	
ME102	2401-001507	70795621	C-AL;47uF,20%,16V,GP,TP,6.3x5,5	
ME103	2401-001250	70796211	C-AL;4.7uF,20%,35V,GP,TP,4x5,5	
ME104	2401-001915	70795114	C-AL;1uF,20%,50V,GP,TP,3x5,5	
ME105	2401-001915	70795114	C-AL;1uF,20%,50V,GP,TP,3x5,5	
ME106	2401-002165	BY130280	C-AL;100uF,20%,16V,GP,TP,6.3x7,5	
MIC01	AK13-00020A	BY631345	IC CONTROLLER QFP-MICOM;uPD78F4225.80,14	
MIC02	AK13-00006A	BY631346	IC ASIC;LC74793JM,DVD-R100,24P,5V,-30t	
MIC03	1203-003836	BY631347	IC-VOL. DETECTOR;PST3222,SOT-25,5P,-,PLA	
MIC04	0801-002454	BY631336	IC-CMOS LOGIC;74HC125,BUS BUFFER,SOP,14P	
MIC05	1204-002139	BY631339	IC-AUDIO PROCESSOR;MM1508,SOT,6P,-,PLAST	
ML101	2001-000780	70795039	R-CARBON;470OHM,5%,1/8W,AA,TP,1.8X3.2MM	
ML102	2701-000188	70796075	INDUCTOR-AXIAL;4.7uH,5%,2434	
ML103	2001-000780	70795039	R-CARBON;470OHM,5%,1/8W,AA,TP,1.8X3.2MM	
MR101	2007-000074	BY230276	R-CHIP;100ohm,5%,1/10W,TP,1608	
MR102	2007-000074	BY230276	R-CHIP;100ohm,5%,1/10W,TP,1608	
MR103	2007-000074	BY230276	R-CHIP;100ohm,5%,1/10W,TP,1608	
MR104	2007-000090	BY230285	R-CHIP;10Kohm,5%,1/10W,TP,1608	
MR105	2007-000074	BY230276	R-CHIP;100ohm,5%,1/10W,TP,1608	
MR106	2007-000074	BY230276	R-CHIP;100ohm,5%,1/10W,TP,1608	
MR107	2007-000074	BY230276	R-CHIP;100ohm,5%,1/10W,TP,1608	
MR108	2007-000074	BY230276	R-CHIP;100ohm,5%,1/10W,TP,1608	
MR109	2007-000074	BY230276	R-CHIP;100ohm,5%,1/10W,TP,1608	
MR110	2007-000074	BY230276	R-CHIP;100ohm,5%,1/10W,TP,1608	
MR111	2007-000074	BY230276	R-CHIP;100ohm,5%,1/10W,TP,1608	
MR112	2007-000074	BY230276	R-CHIP;100ohm,5%,1/10W,TP,1608	
MR113	2007-000074	BY230276	R-CHIP;100ohm,5%,1/10W,TP,1608	
MR114	2007-000090	BY230285	R-CHIP;10Kohm,5%,1/10W,TP,1608	
MR115	2007-000077	BY230278	R-CHIP;470ohm,5%,1/10W,TP,1608	
MR116	2007-000109	BY130423	R-CHIP;1Mohm,5%,1/10W,TP,1608	
MR117	2007-001196	BY230309	R-CHIP;820Kohm,5%,1/10W,TP,1608	
MR118	2007-000090	BY230285	R-CHIP;10Kohm,5%,1/10W,TP,1608	
MR119	2007-000078	BY230279	R-CHIP;1Kohm,5%,1/10W,TP,1608	
MR120	2007-000097	BY230290	R-CHIP;47Kohm,5%,1/10W,TP,1608	
MR121	2007-000074	BY230276	R-CHIP;100ohm,5%,1/10W,TP,1608	
MR122	2007-000094	BY230288	R-CHIP;22Kohm,5%,1/10W,TP,1608	
MR123	2007-000074	BY230276	R-CHIP;100ohm,5%,1/10W,TP,1608	
MR125	2007-000090	BY230285	R-CHIP;10Kohm,5%,1/10W,TP,1608	
MR126	2007-000074	BY230276	R-CHIP;100ohm,5%,1/10W,TP,1608	
MR127	2001-000281	70795004	R-CARBON;100OHM,5%,1/8W,AA,TP,1.8X3.2MM	
MR128	2001-000666	BY230386	R-CARBON;330OHM,5%,1/8W,AA,TP,1.8X3.2MM	
MR129	2007-000074	BY230276	R-CHIP;100ohm,5%,1/10W,TP,1608	
MR130	2007-000086	BY230283	R-CHIP;5.6Kohm,5%,1/10W,TP,1608	
MR131	2007-000074	BY230276	R-CHIP;100ohm,5%,1/10W,TP,1608	
MR132	2007-000074	BY230276	R-CHIP;100ohm,5%,1/10W,TP,1608	
MR133	2007-000074	BY230276	R-CHIP;100ohm,5%,1/10W,TP,1608	
MR134	2001-000666	BY230386	R-CARBON;330OHM,5%,1/8W,AA,TP,1.8X3.2MM	
MR135	2007-000113	BY230328	R-CHIP;33ohm,5%,1/10W,TP,1608	
MR136	2007-000113	BY230328	R-CHIP;33ohm,5%,1/10W,TP,1608	
MR137	2007-000113	BY230328	R-CHIP;33ohm,5%,1/10W,TP,1608	
MR138	2007-000090	BY230285	R-CHIP;10Kohm,5%,1/10W,TP,1608	
MR139	2007-000090	BY230285	R-CHIP;10Kohm,5%,1/10W,TP,1608	
MR140	2007-000090	BY230285	R-CHIP;10Kohm,5%,1/10W,TP,1608	
MR141	2007-000090	BY230285	R-CHIP;10Kohm,5%,1/10W,TP,1608	
MR142	2007-000090	BY230285	R-CHIP;10Kohm,5%,1/10W,TP,1608	
MR143	2007-000090	BY230285	R-CHIP;10Kohm,5%,1/10W,TP,1608	
MR144	2007-000090	BY230285	R-CHIP;10Kohm,5%,1/10W,TP,1608	
MR145	2007-000094	BY230288	R-CHIP;22Kohm,5%,1/10W,TP,1608	
MR146	2007-000081	BY230281	R-CHIP;2.7Kohm,5%,1/10W,TP,1608	
MR147	2007-000090	BY230285	R-CHIP;10Kohm,5%,1/10W,TP,1608	
MR148	2007-000090	BY230285	R-CHIP;10Kohm,5%,1/10W,TP,1608	
MR149	2007-000084	BY230282	R-CHIP;4.7Kohm,5%,1/10W,TP,1608	



## Electrical Parts List

Loc. No	Reference No.	TSB Parts No.	Description ; Specification	Remark
MR150	2007-000084	BY230282	R-CHIP;4.7Kohm,5%,1/10W,TP,1608	
MR151	2007-000074	BY230276	R-CHIP;100ohm,5%,1/10W,TP,1608	
MR152	2007-000087	BY230284	R-CHIP;6.8Kohm,5%,1/10W,TP,1608	
MR153	2001-000290	70795006	R-CARBON;10KOHM,5%,1/8W,AA,TP,1.8X3.2MM	
MR154	2007-000084	BY230282	R-CHIP;4.7Kohm,5%,1/10W,TP,1608	
MR155	2001-000857	70795358	R-CARBON;5600HM,5%,1/8W,AA,TP,1.8X3.2MM	
MY101	2801-003318	BY633003	CRYSTAL-UNIT;32.768KHz,20ppm,28-AAP,12.5	
MY102	2801-003792	BY633032	CRYSTAL-UNIT;12.5MHZ,30PPM,28-AAM,16,250	
MY103	2801-001397	BY633009	CRYSTAL-UNIT;4.433619MHz,20ppm,28-AAA,S,	
CON01	3711-005965	BY635011	CONNECTOR-HEADER;BOX,14P,2R,2MM,STRAGHIT	
CON02	3711-005965	BY635011	CONNECTOR-HEADER;BOX,14P,2R,2MM,STRAGHIT	
CON03	3711-005967	BY635012	CONNECTOR-HEADER;BOX,26P,2R,2MM,STRAGHIT	
PC101	2203-005148	BY130480	C-CER,CHIP;100nF,10%,16V,X7R,TP,1608	
PC107	2203-005148	BY130480	C-CER,CHIP;100nF,10%,16V,X7R,TP,1608	
PC108	2203-005148	BY130480	C-CER,CHIP;100nF,10%,16V,X7R,TP,1608	
PD101	0402-000127	70796385	DIODE-RECTIFIER;1N4002,100V,1A,DO-41,TP	
PD102	0402-000127	70796385	DIODE-RECTIFIER;1N4002,100V,1A,DO-41,TP	
PD103	0402-000127	70796385	DIODE-RECTIFIER;1N4002,100V,1A,DO-41,TP	
PD104	0402-000127	70796385	DIODE-RECTIFIER;1N4002,100V,1A,DO-41,TP	
PD106	0403-001083	BY430111	DIODE-ZENER;UDZ9.1B,8.85-9.23V,200MW,UMD	
PD107	0401-000101	70795150	DIODE-SWITCHING;1N4148,75V,150mA,DO-35,T	
PD108	0402-001194	BY430010	DIODE-RECTIFIER;SHG2D,200V,2A,-,TP	
PD109	0402-000127	70796385	DIODE-RECTIFIER;1N4002,100V,1A,DO-41,TP	
PE101	2401-002165	BY130280	C-AL;100uF,20%,16V,GP,TP,6.3x7,5	
PE103	2401-001730	70795625	C-AL;10UF,20%,50V,GP,TP,5X11,5	
PE104	2401-001250	70796211	C-AL;4.7uF,20%,35V,GP,TP,4x5,5	
PE105	2401-001730	70795625	C-AL;10UF,20%,50V,GP,TP,5X11,5	
PE106	2401-001507	70795621	C-AL;47uF,20%,16V,GP,TP,6.3x5,5	
PE107	2401-002165	BY130280	C-AL;100uF,20%,16V,GP,TP,6.3x7,5	
PE108	2401-000118	70796210	C-AL;1000uF,20%,10V,GP,TP,10x12.5,5	
PE109	2401-000118	70796210	C-AL;1000uF,20%,10V,GP,TP,10x12.5,5	
PE110	2401-001479	BY130015	C-AL;470uF,20%,10V,GP,TP,6.3*11mm,5	
PIC01	1203-002220	BY631349	IC-POSI.ADJUST REG.;LD1117,DPAK,3P,240MI	
PL101	3811-000389	70693052	WIRE-NO SHEATH CU;SPCW,300V,52.4mm,1/0.5	
PL102	3811-000389	70693052	WIRE-NO SHEATH CU;SPCW,300V,52.4mm,1/0.5	
PL103	2701-000002	BY330009	INDUCTOR-AXIAL;100UH,10%,4298	
PL104	2701-000002	BY330009	INDUCTOR-AXIAL;100UH,10%,4298	
PL105	2701-000002	BY330009	INDUCTOR-AXIAL;100UH,10%,4298	
PR101	2007-000450	BY230299	R-CHIP;180ohm,5%,1/10W,TP,1608	
PR102	2007-000090	BY230285	R-CHIP;10Kohm,5%,1/10W,TP,1608	
PR103	2007-000079	BY230280	R-CHIP;1.8Kohm,5%,1/10W,TP,1608	
SB101	AC27-92001M	70795644	COIL-INDUCTOR;RH3.5X6.5RS,BEAD(RADIAL),-	
SB102	AC27-92001M	70795644	COIL-INDUCTOR;RH3.5X6.5RS,BEAD(RADIAL),-	
SC101	2203-000236	BY130439	C-CER,CHIP;0.1NF,5%,50V,COG,TP,1608	
SC102	2203-000236	BY130439	C-CER,CHIP;0.1NF,5%,50V,COG,TP,1608	
SC103	2203-000236	BY130439	C-CER,CHIP;0.1NF,5%,50V,COG,TP,1608	
SC104	2203-000236	BY130439	C-CER,CHIP;0.1NF,5%,50V,COG,TP,1608	
SC105	2203-000236	BY130439	C-CER,CHIP;0.1NF,5%,50V,COG,TP,1608	
SC106	2203-000236	BY130439	C-CER,CHIP;0.1NF,5%,50V,COG,TP,1608	
SC107	2203-000236	BY130439	C-CER,CHIP;0.1NF,5%,50V,COG,TP,1608	
SC108	2203-000236	BY130439	C-CER,CHIP;0.1NF,5%,50V,COG,TP,1608	
SC109	2203-005148	BY130480	C-CER,CHIP;100nF,10%,16V,X7R,TP,1608	
SC110	2203-005148	BY130480	C-CER,CHIP;100nF,10%,16V,X7R,TP,1608	
SC115	2203-000440	BY130462	C-CER,CHIP;1nF,10%,50V,X7R,TP,1608,-	
SC116	2203-000440	BY130462	C-CER,CHIP;1nF,10%,50V,X7R,TP,1608,-	
SC117	2203-000440	BY130462	C-CER,CHIP;1nF,10%,50V,X7R,TP,1608,-	
SC118	2203-000440	BY130462	C-CER,CHIP;1nF,10%,50V,X7R,TP,1608,-	
SC119	2203-005148	BY130480	C-CER,CHIP;100nF,10%,16V,X7R,TP,1608	
SC120	2203-000783	BY130435	C-CER,CHIP;0.33NF,5%,50V,COG,TP,1608	
SC121	2203-005105	BY130488	C-CER,CHIP;0.68nF,5%,50V,COG,1608	
SC122	2203-000783	BY130435	C-CER,CHIP;0.33NF,5%,50V,COG,TP,1608	
SC123	2203-000783	BY130435	C-CER,CHIP;0.33NF,5%,50V,COG,TP,1608	
SC124	2203-005105	BY130488	C-CER,CHIP;0.68nF,5%,50V,COG,1608	
SC125	2203-000783	BY130435	C-CER,CHIP;0.33NF,5%,50V,COG,TP,1608	
SC126	2203-000257	BY130440	C-CER,CHIP;10nF,10%,50V,X7R,TP,1608	
SC127	2203-000257	BY130440	C-CER,CHIP;10nF,10%,50V,X7R,TP,1608	
SC129	2007-000070	BY230274	R-CHIP;0ohm,5%,1/10W,TP,1608	
SC130	2007-000070	BY230274	R-CHIP;0ohm,5%,1/10W,TP,1608	
SC131	2007-000070	BY230274	R-CHIP;0ohm,5%,1/10W,TP,1608	

Loc. No	Reference No.	TSB Parts No.	Description ; Specification	Remark
SC132	2203-005065	BY130479	C-CER,CHIP;1000nF,+80-20%,10V,Y5V,1608	
SC133	2203-005148	BY130480	C-CER,CHIP;100nF,10%,16V,X7R,TP,1608	
SD101	0401-000101	70795150	DIODE-SWITCHING;1N4148,75V,150mA,DO-35,T	
SD102	0403-001083	BY430111	DIODE-ZENER;UDZ9.1B,8.85-9.23V,200MW,UMD	
SD103	0403-001083	BY430111	DIODE-ZENER;UDZ9.1B,8.85-9.23V,200MW,UMD	
SD104	0403-001083	BY430111	DIODE-ZENER;UDZ9.1B,8.85-9.23V,200MW,UMD	
SD105	0403-001083	BY430111	DIODE-ZENER;UDZ9.1B,8.85-9.23V,200MW,UMD	
SD106	0403-001083	BY430111	DIODE-ZENER;UDZ9.1B,8.85-9.23V,200MW,UMD	
SD107	0401-000101	70795150	DIODE-SWITCHING;1N4148,75V,150mA,DO-35,T	
SE101	2401-002165	BY130280	C-AL;100uF,20%,16V,GP,TP,6.3x7,5	
SE102	2401-000922	BY130044	C-AL;22uF,20%,16V,GP,TP,5x5,5	
SE103	2401-000303	70795779	C-AL;100uF,20%,25V,GP,TP,6.3x11,5	
SE104	2401-000426	BY130103	C-AL;10uF,20%,16V,GP,TP,3.5x5,5	
SE105	2401-000922	BY130044	C-AL;22uF,20%,16V,GP,TP,5x5,5	
SE106	2401-000426	BY130103	C-AL;10uF,20%,16V,GP,TP,3.5x5,5	
SE107	2401-001479	BY130015	C-AL;470uF,20%,10V,GP,TP,6.3*11mm,5	
SE108	2401-000922	BY130044	C-AL;22uF,20%,16V,GP,TP,5x5,5	
SE109	2401-000426	BY130103	C-AL;10uF,20%,16V,GP,TP,3.5x5,5	
SE110	2401-000426	BY130103	C-AL;10uF,20%,16V,GP,TP,3.5x5,5	
SE111	2401-000426	BY130103	C-AL;10uF,20%,16V,GP,TP,3.5x5,5	
SE112	2401-000426	BY130103	C-AL;10uF,20%,16V,GP,TP,3.5x5,5	
SE113	2401-000426	BY130103	C-AL;10uF,20%,16V,GP,TP,3.5x5,5	
SE114	2401-000426	BY130103	C-AL;10uF,20%,16V,GP,TP,3.5x5,5	
SE115	2401-000426	BY130103	C-AL;10uF,20%,16V,GP,TP,3.5x5,5	
SE116	2401-000426	BY130103	C-AL;10uF,20%,16V,GP,TP,3.5x5,5	
SE117	2401-001479	BY130015	C-AL;470uF,20%,10V,GP,TP,6.3*11mm,5	
SIC01	1204-002094	BY631310	IC-AUDIO PROCESSOR;MM1647XJ,SSOP,34P,17.	
SL101	2701-000181	BY330053	INDUCTOR-AXIAL;33uH,5%,2434	
SL102	2701-000181	BY330053	INDUCTOR-AXIAL;33uH,5%,2434	
SL103	2701-000181	BY330053	INDUCTOR-AXIAL;33uH,5%,2434	
SL104	2701-000181	BY330053	INDUCTOR-AXIAL;33uH,5%,2434	
SL105	2701-000181	BY330053	INDUCTOR-AXIAL;33uH,5%,2434	
SL106	2701-000181	BY330053	INDUCTOR-AXIAL;33uH,5%,2434	
SL107	2701-000181	BY330053	INDUCTOR-AXIAL;33uH,5%,2434	
SL108	2701-000181	BY330053	INDUCTOR-AXIAL;33uH,5%,2434	
SL109	2703-001973	BY330093	INDUCTOR-SMD;2.7uH,10%,1608	
SL110	2703-001973	BY330093	INDUCTOR-SMD;2.7uH,10%,1608	
SL111	2703-001973	BY330093	INDUCTOR-SMD;2.7uH,10%,1608	
SL112	2703-001973	BY330093	INDUCTOR-SMD;2.7uH,10%,1608	
SQ101	0504-000152	BY530078	TR-DIGITAL;KSR2101,PNP,200mW,4.7K/4.7K,S	
SR101	2007-000116	BY230349	R-CHIP;120ohm,5%,1/10W,TP,1608	
SR102	2007-000119	BY230332	R-CHIP;560ohm,5%,1/10W,TP,1608	
SR103	2007-000119	BY230332	R-CHIP;560ohm,5%,1/10W,TP,1608	
SR104	2007-000119	BY230332	R-CHIP;560ohm,5%,1/10W,TP,1608	
SR105	2007-000119	BY230332	R-CHIP;560ohm,5%,1/10W,TP,1608	
SR106	2007-000074	BY230276	R-CHIP;100ohm,5%,1/10W,TP,1608	
SR107	2007-000074	BY230276	R-CHIP;100ohm,5%,1/10W,TP,1608	
SR108	2007-000070	BY230274	R-CHIP;0ohm,5%,1/10W,TP,1608	
SR109	2007-000070	BY230274	R-CHIP;0ohm,5%,1/10W,TP,1608	
SR110	2007-000078	BY230279	R-CHIP;1Kohm,5%,1/10W,TP,1608	
SR111	2007-000078	BY230279	R-CHIP;1Kohm,5%,1/10W,TP,1608	
SR112	2007-001167	BY230304	R-CHIP;75ohm,5%,1/10W,TP,1608	
SR113	2007-001167	BY230304	R-CHIP;75ohm,5%,1/10W,TP,1608	
SR114	2007-000070	BY230274	R-CHIP;0ohm,5%,1/10W,TP,1608	
SR115	2007-000070	BY230274	R-CHIP;0ohm,5%,1/10W,TP,1608	
SR116	2007-000070	BY230274	R-CHIP;0ohm,5%,1/10W,TP,1608	
SR117	2007-000070	BY230274	R-CHIP;0ohm,5%,1/10W,TP,1608	
SR118	2007-000070	BY230274	R-CHIP;0ohm,5%,1/10W,TP,1608	
SR119	2007-000070	BY230274	R-CHIP;0ohm,5%,1/10W,TP,1608	
SR120	2007-001167	BY230304	R-CHIP;75ohm,5%,1/10W,TP,1608	
SR121	2007-000070	BY230274	R-CHIP;0ohm,5%,1/10W,TP,1608	
SR122	2007-000070	BY230274	R-CHIP;0ohm,5%,1/10W,TP,1608	
SR123	2007-001167	BY230304	R-CHIP;75ohm,5%,1/10W,TP,1608	
SR126	2007-001167	BY230304	R-CHIP;75ohm,5%,1/10W,TP,1608	
SR127	2007-001167	BY230304	R-CHIP;75ohm,5%,1/10W,TP,1608	
SR128	2007-001167	BY230304	R-CHIP;75ohm,5%,1/10W,TP,1608	
SR129	2007-001167	BY230304	R-CHIP;75ohm,5%,1/10W,TP,1608	
SR130	2007-000102	BY230292	R-CHIP;100Kohm,5%,1/10W,TP,1608	
SR131	2007-000102	BY230292	R-CHIP;100Kohm,5%,1/10W,TP,1608	

Electrical Parts List

Loc. No	Reference No.	TSB Parts No.	Description ; Specification	Remark
SR133	2007-000090	BY230285	R-CHIP;10Kohm,5%,1/10W,TP,1608	
SR134	2007-000084	BY230282	R-CHIP;4.7Kohm,5%,1/10W,TP,1608	
SR135	2007-001167	BY230304	R-CHIP;75ohm,5%,1/10W,TP,1608	
SR136	2007-001167	BY230304	R-CHIP;75ohm,5%,1/10W,TP,1608	
SR137	2007-001167	BY230304	R-CHIP;75ohm,5%,1/10W,TP,1608	
SR138	2007-001167	BY230304	R-CHIP;75ohm,5%,1/10W,TP,1608	
SR139	2007-000102	BY230292	R-CHIP;100Kohm,5%,1/10W,TP,1608	
SR140	2007-000102	BY230292	R-CHIP;100Kohm,5%,1/10W,TP,1608	
SR141	2007-000102	BY230292	R-CHIP;100Kohm,5%,1/10W,TP,1608	
SR142	2007-000090	BY230285	R-CHIP;10Kohm,5%,1/10W,TP,1608	
SR143	2007-000070	BY230274	R-CHIP;0ohm,5%,1/10W,TP,1608	
TC101	2203-005148	BY130480	C-CER,CHIP;100nF,10%,16V,X7R,TP,1608	
TC104	2203-005148	BY130480	C-CER,CHIP;100nF,10%,16V,X7R,TP,1608	
TC106	2203-005148	BY130480	C-CER,CHIP;100nF,10%,16V,X7R,TP,1608	
TC107	2203-001656	BY130453	C-CER,CHIP;0.47nF,5%,50V,NPO,1608	
TC108	2203-000998	BY130446	C-CER,CHIP;0.047NF,5%,50V,COG,TP,1608	
TD101	0401-000101	70795150	DIODE-SWITCHING;1N4148,75V,150mA,DO-35,T	
TD102	0403-000390	70795272	DIODE-ZENER;UZP33B,31.4-34.6V,1000MW,DO-	
TE101	2401-001479	BY130015	C-AL;470uF,20%,10V,GP,TP,6.3*11mm,5	
TE102	2401-002300	BY130559	C-AL;47uF,20%,50V,GP,TP,6.3x11,5	
TE103	2401-001479	BY130015	C-AL;470uF,20%,10V,GP,TP,6.3*11mm,5	
TEST_C	3708-001802	BY635008	CONNECTOR-FPC/FPC/PIC;10P,1.25MM,STRAIGH	
TIC01	AK40-00025A	BY630508	TM BLOCK;TCSK0601PD25A,PAL B/G,I,D/K,UHF	RD-XS24SB,SG
TIC01	AK40-00026A	BY630509	TM BLOCK;TCPLO601PD25A,PAL B/G,SECAM L/L	RD-XS24SF
TL102	2701-000002	BY330009	INDUCTOR-AXIAL;100UH,10%,4298	
TL103	2701-000002	BY330009	INDUCTOR-AXIAL;100UH,10%,4298	
TR101	2007-000074	BY230276	R-CHIP;100ohm,5%,1/10W,TP,1608	
TR102	2007-000070	BY230274	R-CHIP;0ohm,5%,1/10W,TP,1608	
TR103	2007-000121	BY230351	R-CHIP;820ohm,5%,1/10W,TP,1608	
TR104	2007-000121	BY230351	R-CHIP;820ohm,5%,1/10W,TP,1608	
TR105	2007-000070	BY230274	R-CHIP;0ohm,5%,1/10W,TP,1608	
TR106	2007-000070	BY230274	R-CHIP;0ohm,5%,1/10W,TP,1608	
TR107	2007-000074	BY230276	R-CHIP;100ohm,5%,1/10W,TP,1608	
TR108	2007-000123	BY230306	R-CHIP;1.5Kohm,5%,1/10W,TP,1608	
VB101	3301-001419	BY330073	BEAD-SMD;220ohm,1608,500mA,TP,133ohm/70	
VB102	3301-001419	BY330073	BEAD-SMD;220ohm,1608,500mA,TP,133ohm/70	
VB103	3301-001419	BY330073	BEAD-SMD;220ohm,1608,500mA,TP,133ohm/70	
VC101	2203-005148	BY130480	C-CER,CHIP;100nF,10%,16V,X7R,TP,1608	
VC102	2203-005065	BY130479	C-CER,CHIP;1000nF,+80-20%,10V,Y5V,1608	
VC103	2203-005148	BY130480	C-CER,CHIP;100nF,10%,16V,X7R,TP,1608	
VC104	2203-005148	BY130480	C-CER,CHIP;100nF,10%,16V,X7R,TP,1608	
VC120	2203-000626	BY130444	C-CER,CHIP;0.022nF,5%,50V,COG,TP,1608	
VC121	2203-000783	BY130435	C-CER,CHIP;0.33NF,5%,50V,COG,TP,1608	
VC122	2203-005148	BY130480	C-CER,CHIP;100nF,10%,16V,X7R,TP,1608	
VC123	2203-005148	BY130480	C-CER,CHIP;100nF,10%,16V,X7R,TP,1608	
VC124	2203-005148	BY130480	C-CER,CHIP;100nF,10%,16V,X7R,TP,1608	
VC126	2203-000357	BY130442	C-CER,CHIP;0.15NF,5%,50V,COG,TP,1608	
VC127	2203-001607	BY130451	C-CER,CHIP;0.22nF,5%,50V,NPO,-,1608	
VC128	2203-005148	BY130480	C-CER,CHIP;100nF,10%,16V,X7R,TP,1608	
VC129	2203-005065	BY130479	C-CER,CHIP;1000nF,+80-20%,10V,Y5V,1608	
VC130	2203-005065	BY130479	C-CER,CHIP;1000nF,+80-20%,10V,Y5V,1608	
VC131	2203-001607	BY130451	C-CER,CHIP;0.22nF,5%,50V,NPO,-,1608	
VC132	2203-001607	BY130451	C-CER,CHIP;0.22nF,5%,50V,NPO,-,1608	
VC133	2203-005148	BY130480	C-CER,CHIP;100nF,10%,16V,X7R,TP,1608	
VC134	2203-005148	BY130480	C-CER,CHIP;100nF,10%,16V,X7R,TP,1608	
VC135	2203-000783	BY130435	C-CER,CHIP;0.33NF,5%,50V,COG,TP,1608	
VC136	2203-005105	BY130488	C-CER,CHIP;0.68nF,5%,50V,COG,1608	
VC137	2203-005148	BY130480	C-CER,CHIP;100nF,10%,16V,X7R,TP,1608	
VC138	2203-005148	BY130480	C-CER,CHIP;100nF,10%,16V,X7R,TP,1608	
VD101	0403-001083	BY430111	DIODE-ZENER;UDZ9.1B,8.85-9.23V,200MW,UMD	
VD102	0403-001083	BY430111	DIODE-ZENER;UDZ9.1B,8.85-9.23V,200MW,UMD	
VD103	0403-001083	BY430111	DIODE-ZENER;UDZ9.1B,8.85-9.23V,200MW,UMD	
VD104	0403-001083	BY430111	DIODE-ZENER;UDZ9.1B,8.85-9.23V,200MW,UMD	
VD105	0403-001083	BY430111	DIODE-ZENER;UDZ9.1B,8.85-9.23V,200MW,UMD	
VD106	0403-001083	BY430111	DIODE-ZENER;UDZ9.1B,8.85-9.23V,200MW,UMD	
VD107	0403-001083	BY430111	DIODE-ZENER;UDZ9.1B,8.85-9.23V,200MW,UMD	
VD108	0403-001083	BY430111	DIODE-ZENER;UDZ9.1B,8.85-9.23V,200MW,UMD	
VD109	0403-001083	BY430111	DIODE-ZENER;UDZ9.1B,8.85-9.23V,200MW,UMD	
VD110	0403-001083	BY430111	DIODE-ZENER;UDZ9.1B,8.85-9.23V,200MW,UMD	

Loc. No	Reference No.	TSB Parts No.	Description ; Specification	Remark
VD111	0403-001083	BY430111	DIODE-ZENER;UDZ9.1B,8.85-9.23V,200MW,UMD	
VD112	0403-001083	BY430111	DIODE-ZENER;UDZ9.1B,8.85-9.23V,200MW,UMD	
VE101	2401-000426	BY130103	C-AL;10uF,20%,16V,GP,TP,3.5x5,5	
VE102	2401-000426	BY130103	C-AL;10uF,20%,16V,GP,TP,3.5x5,5	
VE103	2401-000426	BY130103	C-AL;10uF,20%,16V,GP,TP,3.5x5,5	
VE104	2401-001507	70795621	C-AL;47uF,20%,16V,GP,TP,6.3x5,5	
VE113	2401-001250	70796211	C-AL;4.7uF,20%,35V,GP,TP,4x5,5	
VE118	2401-000426	BY130103	C-AL;10uF,20%,16V,GP,TP,3.5x5,5	
VE119	2401-000426	BY130103	C-AL;10uF,20%,16V,GP,TP,3.5x5,5	
VE121	2401-001479	BY130015	C-AL;470uF,20%,10V,GP,TP,6.3*11mm,5	
VE122	2401-001479	BY130015	C-AL;470uF,20%,10V,GP,TP,6.3*11mm,5	
VE123	2401-001479	BY130015	C-AL;470uF,20%,10V,GP,TP,6.3*11mm,5	
VE124	2401-001479	BY130015	C-AL;470uF,20%,10V,GP,TP,6.3*11mm,5	
VE125	2401-001479	BY130015	C-AL;470uF,20%,10V,GP,TP,6.3*11mm,5	
VE126	2401-001479	BY130015	C-AL;470uF,20%,10V,GP,TP,6.3*11mm,5	
VE127	2401-001507	70795621	C-AL;47uF,20%,16V,GP,TP,6.3x5,5	
VE128	2401-002165	BY130280	C-AL;100uF,20%,16V,GP,TP,6.3x7,5	
VE129	2401-000426	BY130103	C-AL;10uF,20%,16V,GP,TP,3.5x5,5	
VIC01	0801-001094	BY631298	IC-CMOS LOGIC;74HC4051,MULTIPLEXER,SOP,1	
VIC02	1001-001293	BY631299	IC-VIDEO SWITCH;MM1507XNRE,-,SOT-26A,6P	
VIC03	1204-002139	BY631339	IC-AUDIO PROCESSOR;MM1508,SOT,6P,-,PLAST	
VIC05	1201-002292	BY631348	IC-VIDEO AMP;MM1568D,SSOP,34P,17.6x7.6mm	
VIC07	1204-001748	BY631283	IC-SELECTOR;MM1503XN,SOP,6P,63MIL,PLASTI	
VL106	2703-001973	BY330093	INDUCTOR-SMD;2.7uH,10%,1608	
VL107	2703-001973	BY330093	INDUCTOR-SMD;2.7uH,10%,1608	
VQ104	0501-000341	BY530073	TR-SMALL SIGNAL;KSC1623-L,NPN,200mW,SOT-	
VQ105	0504-000156	BY530075	TR-DIGITAL;KSR2103,PNP,200MW,22K/22K,SOT	
VQ106	0501-000341	BY530073	TR-SMALL SIGNAL;KSC1623-L,NPN,200mW,SOT-	
VQ107	0501-000341	BY530073	TR-SMALL SIGNAL;KSC1623-L,NPN,200mW,SOT-	
VR106	2007-001167	BY230304	R-CHIP;75ohm,5%,1/10W,TP,1608	
VR115	2007-000070	BY230274	R-CHIP;0ohm,5%,1/10W,TP,1608	
VR116	2007-000070	BY230274	R-CHIP;0ohm,5%,1/10W,TP,1608	
VR117	2007-000070	BY230274	R-CHIP;0ohm,5%,1/10W,TP,1608	
VR118	2007-000100	70795719	R-CHIP;68Kohm,5%,1/10W,TP,1608	
VR119	2007-000102	BY230292	R-CHIP;100Kohm,5%,1/10W,TP,1608	
VR120	2007-000078	BY230279	R-CHIP;1Kohm,5%,1/10W,TP,1608	
VR127	2007-000084	BY230282	R-CHIP;4.7Kohm,5%,1/10W,TP,1608	
VR128	2007-000119	BY230332	R-CHIP;560ohm,5%,1/10W,TP,1608	
VR129	2007-001167	BY230304	R-CHIP;75ohm,5%,1/10W,TP,1608	
VR130	2007-001167	BY230304	R-CHIP;75ohm,5%,1/10W,TP,1608	
VR132	2007-001167	BY230304	R-CHIP;75ohm,5%,1/10W,TP,1608	
VR138	2007-000074	BY230276	R-CHIP;100ohm,5%,1/10W,TP,1608	
VR139	2007-000074	BY230276	R-CHIP;100ohm,5%,1/10W,TP,1608	
VR141	2007-000078	BY230279	R-CHIP;1Kohm,5%,1/10W,TP,1608	
VR142	2007-000070	BY230274	R-CHIP;0ohm,5%,1/10W,TP,1608	
VR143	2007-001167	BY230304	R-CHIP;75ohm,5%,1/10W,TP,1608	
VR144	2007-001167	BY230304	R-CHIP;75ohm,5%,1/10W,TP,1608	
VR145	2007-001167	BY230304	R-CHIP;75ohm,5%,1/10W,TP,1608	
VR146	2007-000074	BY230276	R-CHIP;100ohm,5%,1/10W,TP,1608	
VR147	2007-000075	BY230277	R-CHIP;220ohm,5%,1/10W,TP,1608	
VR151	2007-001167	BY230304	R-CHIP;75ohm,5%,1/10W,TP,1608	
VR154	2007-001167	BY230304	R-CHIP;75ohm,5%,1/10W,TP,1608	
VR156	2001-000290	70795006	R-CARBON;10KOHM,5%,1/8W,AA,TP,1.8X3.2MM	
VR157	2007-001167	BY230304	R-CHIP;75ohm,5%,1/10W,TP,1608	
VR158	2007-001167	BY230304	R-CHIP;75ohm,5%,1/10W,TP,1608	
W52	2202-002037	BY130027	C-CERAMIC,MLC-AXIAL;100nF,80-20%,50V,Y5V	

**P003****AK92-00766B****BY630591****ASSY PCB-SMPS;RD-XS24,HDD-RECORDER**

BD1S01

0402-001608

BY430109

DIODE-BRIDGE;GBJ2J,600V,2A,SIP-4,BK

C1P01

2401-001200

BY130290

C-AL;33UF,20%,50V,WT,TP,6.3X11,2.5

C1P02

2401-000598

BY130042

C-AL;1uF,20%,50V,GP,TP,4x7,5

C1P03

2401-001200

BY130290

C-AL;33UF,20%,50V,WT,TP,6.3X11,2.5

C1P04

2401-001730

70795625

C-AL;10UF,20%,50V,GP,TP,5X11,5

C1P05

2202-002037

BY130027

C-CERAMIC,MLC-AXIAL;100nF,80-20%,50V,Y5V

C1P06

2202-002037

BY130027

C-CERAMIC,MLC-AXIAL;100nF,80-20%,50V,Y5V

C1S01

2201-000987

BY130164

C-CERAMIC,DISC;2.2NF,20%,400V,Y5U,BK,12.

C1S02

2201-002044

BY130539

C-CERAMIC,DISC;0.1NF,10%,400V,Y5P,TP,8.5



## Electrical Parts List

Loc. No	Reference No.	TSB Parts No.	Description ; Specification	Remark
△C1S03	2201-002044	BY130539	C-CERAMIC,DISC;0.1NF,10%,400V,Y5P,TP,8.5	
△C1S04	2301-001711	BY130491	C-FILM,LEAD;220nF,##20%,275V,BK,17.5*10*	
△C1S05	2301-001711	BY130491	C-FILM,LEAD;220nF,##20%,275V,BK,17.5*10*	
C1S10	2401-003030	BY130569	C-AL;220uF,20%,450V,GP,BK,30x35,10	
C1S11	2305-001029	BY130226	C-FILM,LEAD-PEF;10nF,10%,630V,TP,12x9x12	
C1S12	2201-000129	BY130258	C-CERAMIC,DISC;0.1nF,10%,1000V,Y5P,-,7x4	
C1S13	2401-004141	BY130562	C-AL;33uF,20%,35V,GP,TP,6.3x7mm,5	
C1S14	2401-000598	BY130042	C-AL;1uF,20%,50V,GP,TP,4x7,5	
C1S15	2301-000481	BY130555	C-FILM,LEAD-PEF;10nF,5%,100V,TP,6.5x3.4x	
C1S16	2401-001200	BY130290	C-AL;33UF,20%,50V,WT,TP,6.3X11,2.5	
C1S30	2401-000385	70795431	C-AL;10uF,20%,100V,GP,TP,6.3x11,5	
C1S31	2401-001126	BY130045	C-AL;330uF,20%,25V,WT,TP,10x12.5,5	
C1S32	2401-003139	BY130469	C-AL;1000uF,20%,25V,WT,TP,10*20,5mm	
C1S33	2401-000118	70796210	C-AL;1000uF,20%,10V,GP,TP,10x12.5,5	
C1S34	2401-003390	BY130501	C-AL;2200uF,20%,16V,LZ,TP,13x31.5,5	
C1S35	2401-000118	70796210	C-AL;1000uF,20%,10V,GP,TP,10x12.5,5	
C1S36	2401-001126	BY130045	C-AL;330uF,20%,25V,WT,TP,10x12.5,5	
CN1S01	3711-000203	BY634858	HEADER-BOARD TO CABLE;1WALL,2P/3P,1R,7.9	
D1P01	0402-001111	BY430129	DIODE-RECTIFIER;1N5397GP,600V,1.5A,-,TP	
D1P02	0402-001111	BY430129	DIODE-RECTIFIER;1N5397GP,600V,1.5A,-,TP	
D1P03	0402-001111	BY430129	DIODE-RECTIFIER;1N5397GP,600V,1.5A,-,TP	
D1P04	0402-001533	BY430120	DIODE-RECTIFIER;1N5408,1000V,3A,-,BK	
D1S01	0402-000012	BY430047	DIODE-RECTIFIER;UF4007,1KV,1A,DO-41,TP	
D1S02	0401-000101	70795150	DIODE-SWITCHING;1N4148,75V,150mA,DO-35,T	
D1S03	0402-001195	BY430011	DIODE-RECTIFIER;F1T4,400V,1A,DO-204AC,TP	
D1S30	0402-001195	BY430011	DIODE-RECTIFIER;F1T4,400V,1A,DO-204AC,TP	
D1S31	0402-001194	BY430010	DIODE-RECTIFIER;SHG2D,200V,2A,-,TP	
D1S32	0402-001680	BY430137	DIODE-RECTIFIER;SF34,200V,3A,DO-201AD,TP	
D1S33	0402-001439	BY430132	DIODE-RECTIFIER;-100V,3A,SHK75-11,BK	
D1S34	0402-001600	BY430133	DIODE-RECTIFIER;MBRF20100CT,100V,20A,ITO	
△F1S01	3601-000237	BY634950	FUSE-CARTRIDGE;250V,2A,SLOW-BLOW,CERAMIC	
IC1P01	1203-002183	BY631306	IC-SWITCH VOL. REG.;278R12,TO-220F-4L,4P	
IC1P02	1203-002183	BY631306	IC-SWITCH VOL. REG.;278R12,TO-220F-4L,4P	
IC1P03	1203-003217	BY631338	IC-POS.FIXED REG.;G9233,TO-220F,4P,10.1	
IC1S01	1203-002805	BY631237	IC-PWM CONTROLLER;ICE2BS01,PDIP,8P,9.52X	
△IC1S02	0604-001028	BY530004	PHOTO-COUPLER;TR,50-600%,250mW,DIP-4,ST	
IC1S03	AC14-12006D	70795271	IC;KA431Z,TO-92,TAPING	
△L1S01	AC29-00002A	BY634272	FILTER LINE NOISE;-30mH,-,-,BLF-2116	
△L1S02	AC29-00002A	BY634272	FILTER LINE NOISE;-30mH,-,-,BLF-2116	
PCON01	3710-002036	BY634997	SOCKET-BOARD TO BOARD;12P,1R,2.5mm,STRAI	
PCON02	3710-002036	BY634997	SOCKET-BOARD TO BOARD;12P,1R,2.5mm,STRAI	
PCON03	3711-001062	70699070	HEADER-BOARD TO CABLE;BOX,6P,1R,2mm,STRA	
PCON04	3711-000240	BY635010	HEADER-BOARD TO CABLE;1WALL,4P,1R,3.96MM	
PCON05	3711-003942	BY634884	HEADER-BOARD TO CABLE;BOX,2P,1R,2mm,STRA	
PD1	0402-001195	BY430011	DIODE-RECTIFIER;F1T4,400V,1A,DO-204AC,TP	
PD2	0403-000509	BY430004	DIODE-ZENER;MTZJ5.6B,5.4-5.7V,500MW,DO-3	
PE1	2401-000598	BY130042	C-AL;1uF,20%,50V,GP,TP,4x7,5	
PFC1	2301-000129	70796098	C-FILM,LEAD-PEF;100nF,5%,50V,TP,10X9X4.3	
PL1	AC27-12001N	70796213	COIL CHOKE;10UH-15%,RA,K-30,Q80,150KHZ,-	
PPLD1	AH27-00039A	BY330081	COIL CHOKE;DR CHOKE(8*6),DVD-R2000,22uH,	
PQ1	0501-000362	BY530008	TR-SMALL SIGNAL;KSC2328A-Y,NPN,1000mW,TO	
PQ2	0501-000290	70795818	TR-SMALL SIGNAL;KSA643-Y,PNP,500mW,TO-92	
PR1	2001-000273	70795007	R-CARBON;100KOHM,5%,1/8W,AA,TP,1.8X3.2M	
PR2	2001-000273	70795007	R-CARBON;100KOHM,5%,1/8W,AA,TP,1.8X3.2M	
PR3	2001-000588	BY230405	R-CARBON;3.3Kohm,5%,1/4W,AA,TP,2.4x6.4m	
PR4	2001-000508	70795022	R-CARBON;220KOHM,5%,1/8W,AA,TP,1.8X3.2M	
PR5	2001-000508	70795022	R-CARBON;220KOHM,5%,1/8W,AA,TP,1.8X3.2M	
PR6	2001-000290	70795006	R-CARBON;10KOHM,5%,1/8W,AA,TP,1.8X3.2MM	
PR7	2001-000508	70795022	R-CARBON;220KOHM,5%,1/8W,AA,TP,1.8X3.2M	
PR8	2001-000508	70795022	R-CARBON;220KOHM,5%,1/8W,AA,TP,1.8X3.2M	
PR9	2001-000588	BY230405	R-CARBON;3.3Kohm,5%,1/4W,AA,TP,2.4x6.4m	
△PT01	AC26-00014J	BY330097	TRANS SWITCHING;EER-3534,D-R150,RD-XS24,	
Q1P01	0505-001522	BY530083	FET-SILICON;FQP33N10,N,100V,33A,52mhm,1	
Q1S01	0505-001729	BY530077	FET-SILICON;SPA04N60C3,N,600V,4.5A,0.85O	
R1P01	2001-000855	BY230025	R-CARBON;560OHM,5%,1/4W,AA,TP,2.4X6.4MM	
R1P02	2004-000459	70795638	R-METAL;2.2Kohm,1%,1/8W,AA,TP,1.8x3.2m	
R1P03	2001-000429	70795005	R-CARBON;1KOHM,5%,1/8W,AA,TP,1.8X3.2MM	
R1P04	2001-000429	70795005	R-CARBON;1KOHM,5%,1/8W,AA,TP,1.8X3.2MM	
R1S01	2002-000121	BY230334	R-COMPOSITION;1Mohm,10%,1/2W,AA,TP,3.5x9	

Loc. No	Reference No.	TSB Parts No.	Description ; Specification	Remark
R1S10	1404-001361	BY230396	THERMISTOR-NTC;3ohm,4A,-,35mW/C,-,9,TP	
R1S11	2003-000994	BY230027	R-METAL OXIDE(S);33Kohm,5%,2W,AF,TP,3.9x	
R1S12	2003-000994	BY230027	R-METAL OXIDE(S);33Kohm,5%,2W,AF,TP,3.9x	
R1S13	2001-000546	BY230318	R-CARBON;270KOHM,5%,1/4W,AA,TP,2.4X6.4MM	
R1S14	2001-000546	BY230318	R-CARBON;270KOHM,5%,1/4W,AA,TP,2.4X6.4MM	
R1S15	2001-000546	BY230318	R-CARBON;270KOHM,5%,1/4W,AA,TP,2.4X6.4MM	
R1S16	2001-000281	70795004	R-CARBON;100OHM,5%,1/8W,AA,TP,1.8X3.2MM	
R1S17	2001-000894	BY230401	R-CARBON;6.8ohm,5%,1/8W,AA,TP,1.8x3.2mm	
R1S18	2001-000405	70795607	R-CARBON;180OHM,5%,1/8W,AA,TP,1.8X3.2MM	
R1S19	2004-000459	70795638	R-METAL;2.2Kohm,1%,1/8W,AA,TP,1.8x3.2m	
R1S20	2003-000105	BY230146	R-METAL OXIDE;0.33ohm,5%,2W,AD,TP,6x16mm	
R1S21	2001-000527	70795018	R-CARBON;220HM,5%,1/8W,AA,TP,1.8X3.2MM	
R1S22	2001-000290	70795006	R-CARBON;10KOHM,5%,1/8W,AA,TP,1.8X3.2MM	
R1S30	2001-000062	70796173	R-CARBON;470OHM,5%,1/4W,AA,TP,2.4X6.4MM	
R1S31	2001-000221	BY230019	R-CARBON;1.2KOHM,5%,1/8W,AA,TP,1.8X3.2M	
R1S32	2001-000429	70795005	R-CARBON;1KOHM,5%,1/8W,AA,TP,1.8X3.2MM	
R1S33	2004-000869	70795640	R-METAL;3Kohm,1%,1/8W,AA,TP,1.8x3.2mm	
R1S34	2004-000459	70795638	R-METAL;2.2Kohm,1%,1/8W,AA,TP,1.8x3.2m	
R1S35	2003-000148	BY230003	R-METAL OXIDE;100ohm,5%,2W,AE,TP,6x16mm	
VA1S01	1405-000186	70796217	VARISTOR;470V,2500A,17.5x7.5mm,TP	
VA1S02	1405-001026	BY634022	VARISTOR;470V,600A,9x7mm,TP	
ZD1P01	0403-000390	70795272	DIODE-ZENER;UZP33B,31.4-34.6V,1000MW,DO	
ZD1S01	0403-000713	BY430110	DIODE-ZENER;MTZJ20B,18.63-17.7V,500MW,DO	
ZD1S02	0403-001318	BY430107	DIODE-ZENER;MTZJ4.3B,4.17-4.43V,500MW,DO	
<b>P007</b>	<b>AK92-00765A</b>	<b>BY630542</b>	<b>ASSY PCB-KEY;D-R150,SINGLE RECORDER</b>	
FL286	3809-001667	BY635013	FFC CABLE-FLAT;30V,80C,70mm,10P,1.25mm,U	
KC101	2202-000797	70795075	C-CERAMIC,MLC-AXIAL;10NF,30%,16V,Y5S,TP,	
KC102	2202-000797	70795075	C-CERAMIC,MLC-AXIAL;10NF,30%,16V,Y5S,TP,	
KC103	2202-000797	70795075	C-CERAMIC,MLC-AXIAL;10NF,30%,16V,Y5S,TP,	
KC104	2202-000173	BY130262	C-CERAMIC,MLC-AXIAL;1nF,10%,50V,Y5P,-,1.	
KC105	2202-000797	70795075	C-CERAMIC,MLC-AXIAL;10NF,30%,16V,Y5S,TP,	
KCON01	3708-001803	BY635009	CONNECTOR-FPC/FFC/PIC;10P,1.25MM,ANGLE,T	
KD101	0402-000127	70796385	DIODE-RECTIFIER;1N4002,100V,1A,DO-41,TP	
KD102	0401-000101	70795150	DIODE-SWITCHING;1N4148,75V,150mA,DO-35,T	
KD103	0401-000101	70795150	DIODE-SWITCHING;1N4148,75V,150mA,DO-35,T	
KD104	0401-000101	70795150	DIODE-SWITCHING;1N4148,75V,150mA,DO-35,T	
KD105	0401-000101	70795150	DIODE-SWITCHING;1N4148,75V,150mA,DO-35,T	
KD106	0402-000165	BY430121	DIODE-RECTIFIER;1N5819,40V,1A,DO-41,TP	
KE101	2401-004159	BY130568	C-AL;470uF,##20%,10V,-,TP,10x9,-	
KE102	2401-004159	BY130568	C-AL;470uF,##20%,10V,-,TP,10x9,-	
KE103	2404-001272	BY130563	C-TA,CHIP;100uF,20%,16V,-,TP,7343	
KIC01	1003-001561	BY631280	IC-LED DRIVER;PT6961,SOP,32P,300MIL,-,40	
KIC02	AK07-00040A	BY430136	LED DISPLAY;D0505003,D-R150,16,74,32,63.	
KIC03	MF32-00001A	BY630545	MODULE REMOCON;KSM-713TC5,37.9KHZ,940NM,	
KL101	2701-000002	BY330009	INDUCTOR-AXIAL;100UH,10%,4298	
KL102	2701-000002	BY330009	INDUCTOR-AXIAL;100UH,10%,4298	
KR101	2001-000837	70795045	R-CARBON;51KOHM,5%,1/8W,AA,TP,1.8X3.2MM	
KR102	2001-000429	70795005	R-CARBON;1KOHM,5%,1/8W,AA,TP,1.8X3.2MM	
KR103	2001-000429	70795005	R-CARBON;1KOHM,5%,1/8W,AA,TP,1.8X3.2MM	
KR104	2001-000429	70795005	R-CARBON;1KOHM,5%,1/8W,AA,TP,1.8X3.2MM	
KR105	2001-000734	70795040	R-CARBON;4.7KOHM,5%,1/8W,AA,TP,1.8X3.2M	
KR106	2001-000290	70795006	R-CARBON;10KOHM,5%,1/8W,AA,TP,1.8X3.2MM	
SW01	3404-001182	BY632011	SWITCH-TACT;DC12V,50MA,100GF,6.0X6.0X5.0	
SW02	3404-001182	BY632011	SWITCH-TACT;DC12V,50MA,100GF,6.0X6.0X5.0	
SW03	3404-001182	BY632011	SWITCH-TACT;DC12V,50MA,100GF,6.0X6.0X5.0	
SW04	3404-001182	BY632011	SWITCH-TACT;DC12V,50MA,100GF,6.0X6.0X5.0	
SW05	3404-001182	BY632011	SWITCH-TACT;DC12V,50MA,100GF,6.0X6.0X5.0	
SW06	3404-001182	BY632011	SWITCH-TACT;DC12V,50MA,100GF,6.0X6.0X5.0	
SW07	3404-001182	BY632011	SWITCH-TACT;DC12V,50MA,100GF,6.0X6.0X5.0	
SW08	3404-001182	BY632011	SWITCH-TACT;DC12V,50MA,100GF,6.0X6.0X5.0	
SW09	3404-001182	BY632011	SWITCH-TACT;DC12V,50MA,100GF,6.0X6.0X5.0	
SW10	3409-001082	BY635007	SWITCH-DETECTOR;20V DC,50MA,SPST,30GF,-	