

DENON

Ver.11

Please refer to the
MODIFICATION NOTICE.

SERVICE MANUAL

MODEL	JP	E3	E2	EK	EA	E1	E1K	E1C
RCD-M39		✓	✓					✓
RCD-M39DAB				✓				

CD RECEIVER

• For purposes of improvement, specifications and design are subject to change without notice.

• Please use this service manual with referring to the operating instructions without fail.

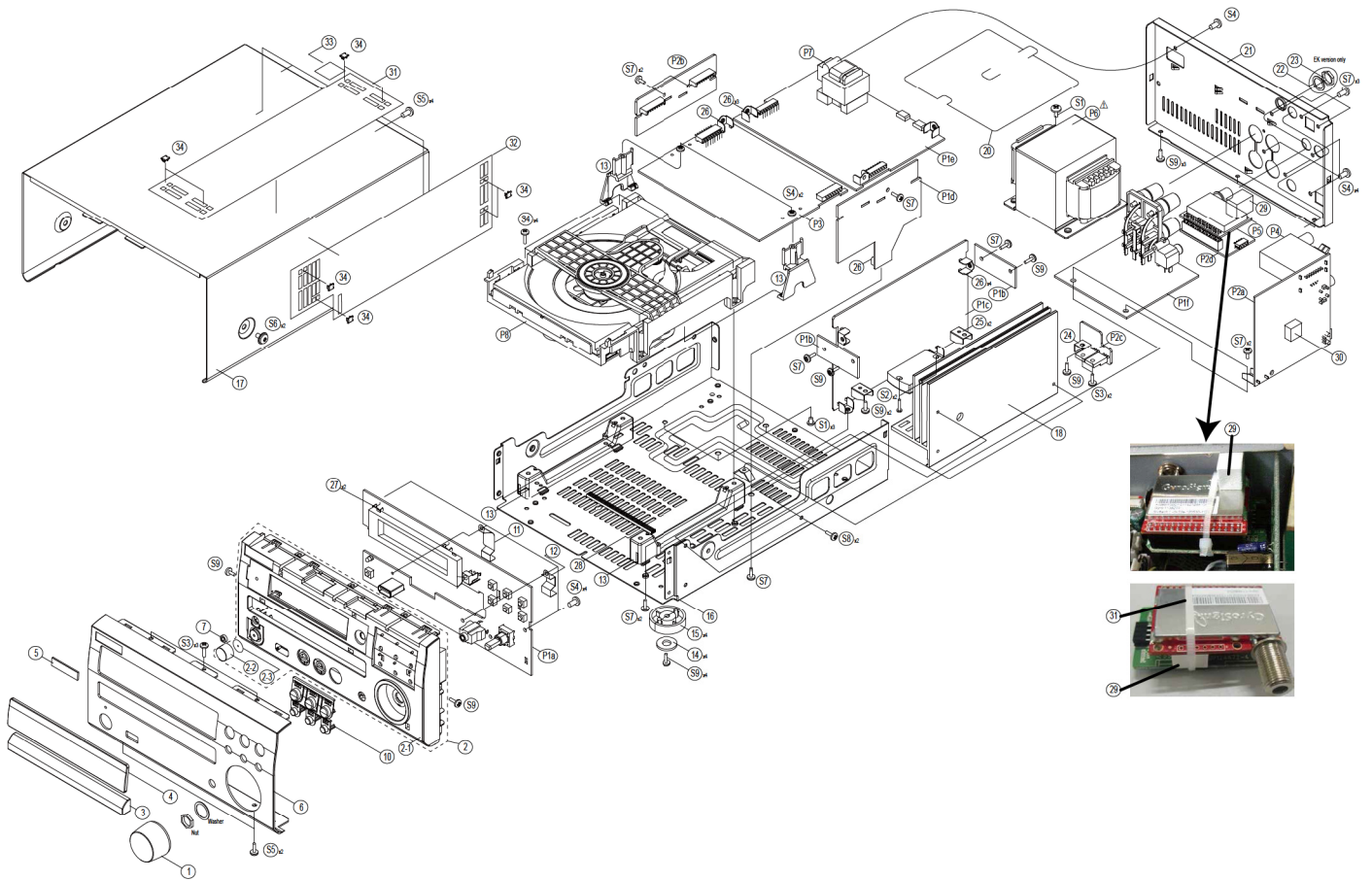
• Some illustrations using in this service manual are slightly different from the actual set.

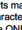
DENON

D&M Holdings Inc.

EXPLODED VIEW

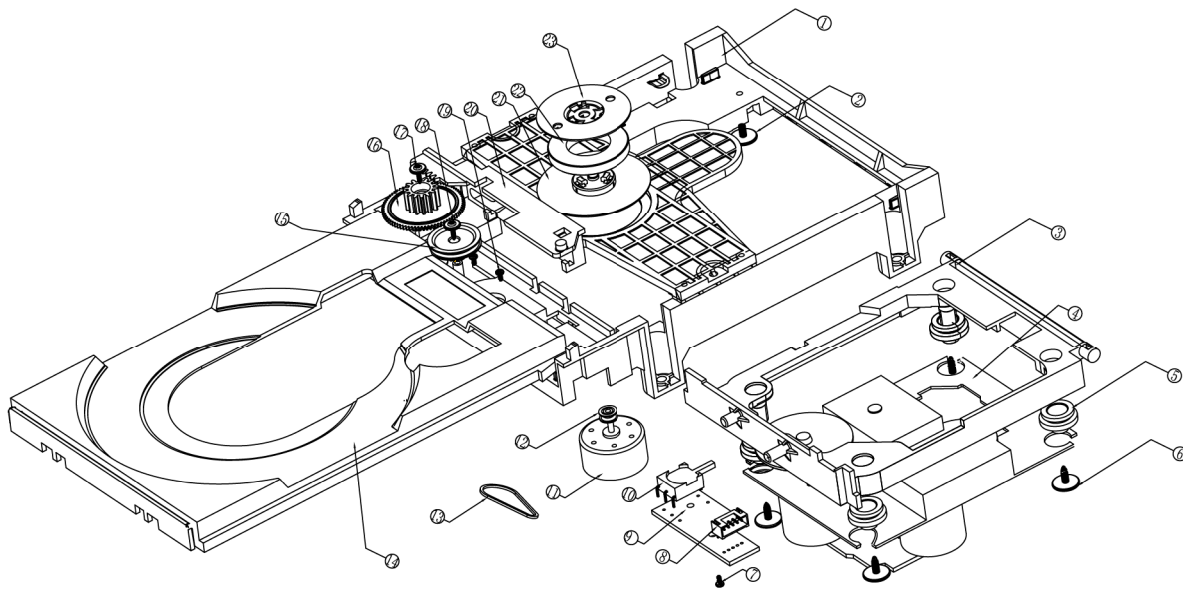
Please refer to the last chapter for the part list.

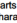


WARNING:
Parts marked with this symbol  have critical characteristics.
Use **ONLY** replacement parts recommended by the manufacturer.

EXPLODED VIEW OF CD MECHANISM UNIT

Please refer to the last chapter for the part list.



WARNING:
Parts marked with this symbol  have critical characteristics.
Use **ONLY** replacement parts recommended by the manufacturer.

PARTS LIST OF EXPLODED VIEW

Please refer to the last chapter for the part list.

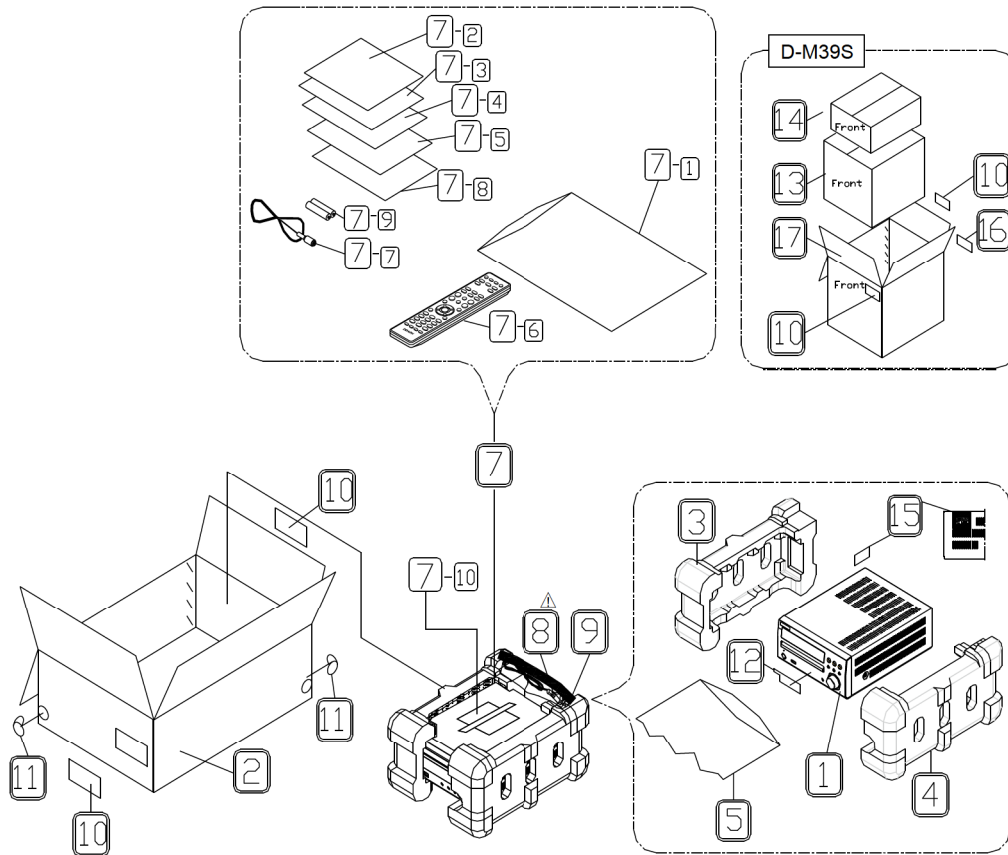
- *Parts indicated by "nsp" on this table cannot be supplied.
- *PCB ASS'Y indicated by "nsp" on this table cannot be supplied. When repairing the PCB ASS'Y, check the board parts list and order replacement parts.
- *Parts indicated by the "★" mark are not illustrated in the exploded view.
- *The parts listed below are only for maintenance. Therefore they might differ from the parts used in the unit in appearances or dimensions.

PARTS LIST OF CD MECHANISM UNIT

Please refer to the last chapter for the part list.

- *Parts indicated by "nsp" on this table cannot be supplied.
- *The parts listed below are only for maintenance. Therefore they might differ from the parts used in the unit in appearances or dimensions.

PACKING VIEW



PARTS LIST OF PACKING & ACCESSORIES

Please refer to the last chapter for the part list.

*Parts indicated by "nsp" on this table cannot be supplied.

*The parts listed below are only for maintenance. Therefore they might differ from the parts used in the unit in appearances or dimensions.

NOTE: The symbols in the column Remarks indicate the following destinations.

E3 : U.S.A. & Canada model E2 : Europe model EK : U.K. model E1C : China model
BK : Black model SP : Premium Silver model

REF No.	Part No.	Part Name	Remarks	Q'ty	New	Ver
SEMICONDUCTORS GROUP						
IC71	943239100850D	I.C. HYBRID AMP (2-channel class AB)				
IC72	00MHC10200090	I.C. HEADPHONE (JRC)				
IC91	943239010400S	I.C. REGULATOR(3.3V/TO-252)				
IC92	00D943018390R	REGULATOR IC				
D701	90M-HD201820R	DIODE, SCHOTTKEY BARRIER				
D706	00D2760717903	DIODE, CHIP, SWITCHING 1SS355T				
D708,709	00MHD20015210	DIODE				
D710,711	00D9430182502	DIODE, RECT 1N4003				
D712	90M-HE200390R	DIODE, BRIDGE(10A/600V)				
D713,714	00D2760717903	DIODE, CHIP, SWITCHING 1SS355T				
D801	00D9430106203	LED SPR39M/VW3 2COLOR				
D806-815	00D2760717903	DIODE, CHIP, SWITCHING 1SS355T				
D901	90M-HD302280R	DIODE, ZENER (CHIP,6.8V)				
D902	00D9430209400	DIODE, RECT 1N4003				
D903,904	00MHD20059100	DIODE, SCHOTTKY				
D905-910	00D9430209400	DIODE, RECT 1N4003				
D911,912	00D9430087102	ZENER DIODE MTZJ20B 1/2W				
D913,914	00D9430209400	DIODE, RECT 1N4003				
D915,916	90M-HD201820R	DIODE, SCHOTTKEY BARRIER				
D917	00D9430209400	DIODE, RECT 1N4003				
D919	00D9430209400	DIODE, RECT 1N4003				
D922,923	00D2760717903	DIODE, CHIP, SWITCHING 1SS355T				
D925	943202500460D	DIODE, ZENER(CHIP,15V)	E3			
D928-938	00D2760717903	DIODE, CHIP, SWITCHING 1SS355T				
D939	00D9430101101	WIRE COPPER SN95/PB5, 0.6				
D940,941	00D2760717903	DIODE, CHIP, SWITCHING 1SS355T				
D942	00D2760717903	DIODE, CHIP, SWITCHING 1SS355T	E3			
D943	90M-HD302270R	DIODE, ZENER (CHIP,5.6V)				
D945	00D9430209400	DIODE, RECT 1N4003				
D946,947	00D2760717903	DIODE, CHIP, SWITCHING 1SS355T				
Q701	943215500140D	T.R., RT1P144C(10K-47K)				
Q702	943216500020S	T.R.,RT1N141C(10K-10K)				
Q703	943215500140D	T.R., RT1P144C(10K-47K)				
Q704,705	943214500040S	High Voltage NPN Transistors(SOT-23)				
Q706-709	00D9430072502	T.R., CHIP, SOT-23				
Q710	963216500060S	T.R.,RT1N144C(10K-47K)				
Q711	943216500020S	T.R.,RT1N141C(10K-10K)				
Q712	963216500060S	T.R.,RT1N144C(10K-47K)				
Q713	943215500020S	T.R., RT1P141C(10K-10K)				
Q714	943212500020S	High Voltage PNP Transistors(SOT-23)				
Q716	943212500020S	High Voltage PNP Transistors(SOT-23)				
Q717	943214500040S	High Voltage NPN Transistors(SOT-23)				
Q718	943215500020S	T.R., RT1P141C(10K-10K)				
Q720	943215500140D	T.R., RT1P144C(10K-47K)				
Q806	943216500020S	T.R.,RT1N141C(10K-10K)				
Q901	943219006820S	TR KTC1027Y				
Q902	963216500060S	T.R.,RT1N144C(10K-47K)				
Q903	963216500060S	T.R.,RT1N144C(10K-47K)	E3			
Q906-908	943216500020S	T.R.,RT1N141C(10K-10K)				
Q909	943219006820S	TR KTC1027Y				
Q910	943216500020S	T.R.,RT1N141C(10K-10K)				
Q911	963216500060S	T.R.,RT1N144C(10K-47K)				
Q912	943214500040S	High Voltage NPN Transistors(SOT-23)				
Q913	943216500020S	T.R.,RT1N141C(10K-10K)				
RESISTORS GROUP						
R702,703	nsp	RES, M-OXIDEFILM(1W/100ohm)				
R704,705	943124500040S	RES, M-OXIDE FILM(1W/4.7ohm)				
R706,707	943121006200M	RES.				
R708,709	nsp	RES, CEMENT				
R710,711	nsp	RES, CARBON(1/4W,2.7Kohm,J)				
CAPACITORS GROUP						
C156	943134502030D	CAP, ELECT(50V/10uF)				
C701,702	943134502030D	CAP, ELECT(50V/10uF)				
C704,705	nsp	CAP, CHIP(1608, 50V/0.1uF)				
C708,709	nsp	CAP, METAL-FILM(100V/0.047uF)				
C710	nsp	CAP, ELECT(10V/470uF)				
C711,712	nsp	CAP, CHIP(1608, 50V/0.1uF)				
C713	nsp	CAP, ELECT(25V/47uF)				
C716,717	nsp	CAP, ELECT(50V/47uF)				
C718,719	nsp	CAP, CERAMIC(50V/470pF/K)				
C720	00MOA47702520	CAP, ELECT				
C723,724	nsp	CAP, CERAMIC(50V/100pF/K)				
C726	943134010580S	ELECT CAP 220UF 35V				
C727	00D2544693942	CAP, ELECT(50V/220uF,ELNA/RFO)				
C728	nsp	CAP, CHIP(1608, 50V/1000pF)				
C729,730	nsp	CERAMIC CAP 5pF 50V CC				
C734	nsp	CAP, CHIP(1608, 50V/0.1uF)				
C735,736	nsp	CAP, POLYPROPYLENE(SEORYONG)				
C737,738	00MOF15104040	CAP, METAL-FILM(100V/0.1uF)				
C739,740	943139001280S	METALLIZED FILM CAP				
C741	90M-OF100490R	CAP, METAL PE FILM(250V/0.1uF)				
C742,743	943134502110D	CAP, ELECT(TOSHIN, UTSP, 35V/4700uF, 85°C)				
C744,745	nsp	CAP, CHIP(1608, 50V/0.1uF)				
C747	00MOA47702520	CAP, ELECT				
C750	943134010580S	ELECT CAP 220UF 35V				
C752-756	nsp	CAP, CHIP(1608, 50V/0.1uF)				
C758	nsp	CAP, CHIP(1608, 50V/1000pF)				
C759,760	943134502030D	CAP, ELECT(50V/10uF)				
C761	00D2544693942	CAP, ELECT(50V/220uF,ELNA/RFO)				
C763,764	943134010580S	ELECT CAP 220UF 35V				
C765-768	nsp	METALLIZED FLIM CAP (100V/0.22UF)				
C769,770	nsp	CAP, CHIP(1608, 50V/100pF)				
C771,772	nsp	CAP, CHIP(1608, 50V/0.01uF)				
C776,777	943134502030D	CAP, ELECT(50V/10uF)				
C780,781	nsp	CAP, CHIP(1608, 50V/0.1uF)				
C784,785	nsp	CAP, CHIP(1608, 50V/100pF)				
C791	nsp	CAP, CHIP(1608, 50V/0.1uF)				
C792	nsp	CAP, CHIP(1608, 50V/0.01uF)				
C801	943134502040D	CAP, CERAMIC				

REF No.	Part No.	Part Name	Remarks	Q'ty	New	Ver
C802	nsp	CAP, CHIP(1608, 50V/0.01uF)		CCUS1H103KC		
C803	nsp	CHIP CAP 47PF 50V		CCUS1H470JA		
C804	nsp	CAP, CHIP(1608, 50V/0.01uF)		CCUS1H103KC		
C805-807	nsp	CAP, CHIP(1608, 50V/100pF)		CCUS1H101JA		
C808-810	nsp	CAP, CHIP(1608, 50V/0.1uF)		CCUS1H104KC		
C811-813	nsp	CAP, CHIP(1608, 50V/0.01uF)		CCUS1H103KC		
C815,816	nsp	CAP, CIIIP(1608,50V/4700pF)		CCUS1H1472KC		
C819-821	nsp	CAP, CHIP(1608, 50V/0.1uF)		CCUS1H104KC		
C822	943134501930D	CAP, ELECT(50V/10uF)-S		CCEA1HKS100TC		
C824,825	943139001280S	METALLIZED FILM CAP		CCME2A103JXT		
C827-829	nsp	CAP, CHIP(1608, 50V/0.1uF)		CCUS1H104KC		
C832	943134501950D	CAP, ELECT(50V/1uF)-S		CCEA1HKS1R0TC		
C835	943134502040D	CAP, CERAMIC		CCEA1CKS101TC		
C836	nsp	CAP, CHIP(1608, 50V/0.1uF)		CCUS1H104KC		
C837,838	nsp	CAP, CHIP(1608, 50V/0.01uF)		CCUS1H103KC		
C901	nsp	CAP, METAL-FILM(100V/0.047uF)		CCME2A473JXT		
C902,903	nsp	CAP, CHIP(1608, 50V/0.01uF)		CCUS1H103KC		
C904	943134502120D	CAP, ELECT(TOSHIN, UTSP, 25V/2200uF), 85°C)		CCEA1EUTSP222E	*	
C905	943134502130D	CAP, ELECT(TOSHIN, UTSP, 25V/1000uF, 85°C)		CCEA1EUTSP102E	*	
C906,907	nsp	CAP, CHIP(1608, 50V/0.01uF)		CCUS1H103KC		
C908,909	943134502140D	CAP, ELECT(TOSHIN, UTSP, 16V/220uF), 85°C)		CCEA1CUTSP221T	*	
C910	943134502030D	CAP, ELECT(50V/10uF)		CCEA1HH100TC		
C911	nsp	CAP, CHIP(1608, 50V/0.01uF)		CCUS1H103KC		
C912	943134502030D	CAP, ELECT(50V/10uF)		CCEA1HH100TC		
C913	nsp	CAP, CHIP(1608, 50V/0.01uF)		CCUS1H103KC		
C914	943134502030D	CAP, ELECT(50V/10uF)		CCEA1HH100TC		
C915	943134502070D	CAP, ELECT(50V/220uF)		CCEA1HH221EC		
C916,917	943134502100D	CAP, ELECT(63V/100uF)		CCEA1JH101EC		
C918	943134502030D	CAP, ELECT(50V/10uF)		CCEA1HH100TC		
C919	nsp	CAP, CHIP(1608, 50V/0.01uF)		CCUS1H103KC		
C920	943134502030D	CAP, ELECT(50V/10uF)		CCEA1HH100TC		
C922	00D9430024408	CAP, CERAMIC(X1/Y2/SC) 0.0047uF 2.5KV		KCKDKS472ME		
C925,926	nsp	CAP, CHIP(1608, 50V/0.01uF)		CCUS1H103KC		
C927	943134502010D	CAP, ELECT(50V/0.68uF)		CCEA1HHR88TC		
C928	nsp	CAP, CHIP(1608, 50V/0.01uF)		CCUS1H103KC		
C929	nsp	CAP, ELECT(16V/2200uF)		CCEA1CH222EC		
C930	943134502030D	CAP, ELECT(50V/10uF)	E3	CCEA1HH100TC		
C934	nsp	CAP, CHIP(1608, 50V/0.01uF)		CCUS1H103KC		
C935	943134502120D	CAP, ELECT(TOSHIN, UTSP, 25V/2200uF), 85°C)		CCEA1EUTSP222E	*	
C938	nsp	CAP, ELECT(50V/4.7uF)		CCEA1HH4R7TC		
C939	nsp	CAP, CHIP(1608, 50V/0.01uF)		CCUS1H103KC		
C944,945	nsp	CAP, CHIP(1608, 50V/0.1uF)		CCUS1H104KC		
C947	nsp	CAP, CHIP(1608, 50V/0.1uF)		CCUS1H104KC		
C951	00D2544693939	CAP, ELEC ELNA RFO SERIES 100uF/50V		CCEA1HRF0101T		
C952	nsp	CAP, CHIP(1608, 10V/1uF)		CCUS1A105KC		
C953	nsp	CAP, CHIP(2012, 6.3V/10uF, X5R)		CCUC0J106KC		
C954,955	nsp	CAP, CHIP(1608, 50V/0.1uF)		CCUS1H104KC		
C956	nsp	CAP, ELECT(50V/4.7uF)		CCEA1HH4R7TC		
C957	nsp	CAP, ELECT(6.3V/1000uF)		CCEA0JH102TC		
C958	nsp	CAP, CHIP(1608, 50V/0.1uF)		CCUS1H104KC		
C959	nsp	CAP, CHIP(1608, 50V/0.01uF)		CCUS1H103KC		
C991-995	nsp	CAP, CHIP(1608, 50V/0.1uF)		CCUS1H104KC		
C996	nsp	CAP, CHIP(1608, 50V/0.01uF)		CCUS1H103KC		
C997	nsp	CAP, CHIP(1608, 50V/0.1uF)		CCUS1H104KC		
C998	nsp	CAP, CHIP(1608, 50V/0.01uF)		CCUS1H103KC		
OTHERS PARTS GROUP						
BK11	nsp	BRACKET, PCB		CMD1A569		
BK71	nsp	BRACKET, PCB		CMD1A569		
BK72	nsp	BRACKET, PCB		CMD1A387		
BK73	nsp	BRACKET, PCB		CMD1A569		
BK74	nsp	BRACKET, PCB		CMD1A387		
BK75,76	nsp	BRACKET, PCB		CMD1A569		
BK81,82	nsp	FLT BRACKET		CMD1A468		
BK91-93	nsp	BRACKET, PCB		CMD1A569		
I CN91	943641500240D	INLET, AC, NON-POL (250V/2.5A PCB MOUNT TYPE)	E2, EK	CJ8A019Z	*	
I CN91	943641500250D	INLET, AC, POL (125V/7A PCB MOUNT TYPE)	E3	CJ8A020Z	*	
I CN98,99	nsp	WAFER,FFC(5P-1mm,ANGLE)		CJP07GB113ZY		
I F901	nsp	HOLDER, FUSE		KJCFCS5		
I F901	943652001740S	FUSE	E2, EK	KBA2C1000TLEY		
I F901	00D9430212600	FUSE, GLASS TUBE(125V, 2A, 20MM)	E3	KBA1C2000A4UY		11
FL81	943172007420D	V.F.D (FUTABA, 16ST103GINK)		CFL16ST103GINK		Ver.3
GND3,4	nsp	PALTE, EARTH		HJT1A025		
J701-705	00D9430101101	WIRE,COPPER SN95/PB5, 0.6		C3A206		
J707,708	00D9430101101	WIRE,COPPER SN95/PB5, 0.6		C3A206		
J710	00D9430101101	WIRE,COPPER SN95/PB5, 0.6		C3A206		
J712-714	00D9430101101	WIRE,COPPER SN95/PB5, 0.6		C3A206		
J719	00D9430101101	WIRE,COPPER SN95/PB5, 0.6		C3A206		
J721-729	00D9430101101	WIRE,COPPER SN95/PB5, 0.6		C3A206		
J731-736	00D9430101101	WIRE,COPPER SN95/PB5, 0.6		C3A206		
J739	00D9430101101	WIRE,COPPER SN95/PB5, 0.6		C3A206		
J741-743	00D9430101101	WIRE,COPPER SN95/PB5, 0.6		C3A206		
J745,746	00D9430101101	WIRE,COPPER SN95/PB5, 0.6		C3A206		
J749	00D9430101101	WIRE,COPPER SN95/PB5, 0.6		C3A206		
J751-753	00D9430101101	WIRE,COPPER SN95/PB5, 0.6		C3A206		
J755,756	00D9430101101	WIRE,COPPER SN95/PB5, 0.6		C3A206		
J765	00D9430101101	WIRE,COPPER SN95/PB5, 0.6		C3A206		
J803-807	00D9430101101	WIRE,COPPER SN95/PB5, 0.6		C3A206		
J810	00D9430101101	WIRE,COPPER SN95/PB5, 0.6		C3A206		
J813	00D9430101101	WIRE,COPPER SN95/PB5, 0.6		C3A206		
J815	00D9430101101	WIRE,COPPER SN95/PB5, 0.6		C3A206		
J817-847	00D9430101101	WIRE,COPPER SN95/PB5, 0.6		C3A206		
J849-853	00D9430101101	WIRE,COPPER SN95/PB5, 0.6		C3A206		
J860	00D9430101101	WIRE,COPPER SN95/PB5, 0.6		C3A206		
J901-906	00D9430101101	WIRE,COPPER SN95/PB5, 0.6		C3A206		
J908-910	00D9430101101	WIRE,COPPER SN95/PB5, 0.6		C3A206		
J912-915	00D9430101101	WIRE,COPPER SN95/PB5, 0.6		C3A206		
J917-919	00D9430101101	WIRE,COPPER SN95/PB5, 0.6		C3A206		
J921-927	00D9430101101	WIRE,COPPER SN95/PB5, 0.6		C3A206		
J929-932	00D9430101101	WIRE,COPPER SN95/PB5, 0.6		C3A206		
J934-941	00D9430101101	WIRE,COPPER SN95/PB5, 0.6		C3A206		
J950-954	00D9430101101	WIRE,COPPER SN95/PB5, 0.6		C3A206		
J956-958	00D9430101101	WIRE,COPPER SN95/PB5, 0.6		C3A206		
J960-965	00D9430101101	WIRE,COPPER SN95/PB5, 0.6		C3A206		
J967-977	00D9430101101	WIRE,COPPER SN95/PB5, 0.6		C3A206		
JK71	90M-YT003280R	TERMINAL		CJ5P011Z		

REF No.	Part No.	Part Name	Remarks	Q'ty	New	Ver
JK72	nsp	BOARD JACK				
JK81	00D9430105204	JACK,HEADPHONE(SILVER)				
JK83	943643100150S	JACK , USB STRAIGHT(BLACK)				
L703,704	943115010260S	COIL , SPEAKER(0.5uH)				
L801,802	nsp	FERRITE , CHIP BEAD(4516/60R)				
L805	nsp	FERRITE , CHIP BEAD(2012/220R)				
L806,807	nsp	RES , CHIP(2012/5%/0ohm)				
L901,902	nsp	FERRITE , CHIP BEAD(4516/60R)				
RC81	943262010290S	SENSOR , REMOTE/U				
RL71	90M-LY000330R	RELAY OSA-SS-212DM3				
RL91	00D9430194900	RELAY,G5PA-1,DC6V,1C1P				
S801	00D9430004402	TACT SW				
S803,804	00D9430004402	TACT SW				
S806-809	00D9430004402	TACT SW				
I T901	943101000960D	TRANS , SUB RCD-M37EUR	E2, EK			
I T901	943101000980D	TRANS , SUB RCD-M37USA	E3			
I T901	943101101970S	TRANS , SUB RCD-M37E1C	E1C			Ver.7
VR81	943667007540S	ENCODER VOLUME				
FCFA	nsp	JACK				
PMCE	nsp	PINHEADER(11P,1.25mm,STRAIGHT,B-TO-B)				
PMCP	nsp	PINHEADER(11P,1.25mm,STRAIGHT,B-TO-B)				
PMSE	nsp	PIN SOCKET(11P,1.25mm,ANGLE,B-TO-B)				
PMSN	nsp	PIN SOCKET (09P,1.25mm,ANGLE,B-TO-B)				
	nsp	HEAT SINK ASS'Y				

NOTE: The symbols in the column Remarks indicate the following destinations.

E3 : U.S.A. & Canada model E2 : Europe model EK : U.K. model E1C : China model
BK : Black model SP : Premium Silver model

REF No.	Part No.	Part Name	Remarks	Q'ty	New	Ver
SEMICONDUCTORS GROUP						
IC14	00D9430005605	REGULATOR IC (+8V)				
IC15	943231101250D	IC , REGULATOR (-8V, TO-92, TAPPING)			*	
IC16	943231101210D	I.C. REGULATOR(SOT-223)				
IC32	943239100820D	I.C. DC DC CONVERTER(3A, 700KHZ, SOP-8P)				
IC51	943236101350D	I.C. DIR/DIT(WITH ADC, LQFP-48P)			*	
IC53	00D2623727904	I.C. 2CH VOLUME				
IC54	943231101210D	I.C. REGULATOR(SOT-223)				
IC57	943239100690S	I.C. 2CH DAC(32BIT, 384KHZ, TSSOP-20P)				
IC61	00MHC10102090	I.C. OP AMP (JRC)				
IC62	235810050503S	I.C. OP AMP (JRC, 2CH Input)				
IC91	00D9430206908	REGULATOR IC (12V OUTPUT LOW DROP)				
IC93	00D2631100050	I.C. REGULATOR(+8V, TO220IS)				
D111	00D2760717903	DIODE , CHIP , SWITCHING 1SS355T				
D113	00D2760717903	DIODE , CHIP , SWITCHING 1SS355T				
D501	00D2760717903	DIODE , CHIP , SWITCHING 1SS355T	EK			
D502-504	00D2760717903	DIODE , CHIP , SWITCHING 1SS355T				
D506	00D2760717903	DIODE , CHIP , SWITCHING 1SS355T				
D601	00D2760717903	DIODE , CHIP , SWITCHING 1SS355T				
D909	00D9430060501	DIODE , RECTIFIER 1SR159				
D913	00D9430060501	DIODE , RECTIFIER 1SR159				
D945,946	00D9430060501	DIODE , RECTIFIER 1SR159				
Q501	943216500020S	T.R.RT1N141C(10K-10K)	EK			
Q602	963216500060S	T.R.RT1N144C(10K-47K)				
Q605,606	00D9430072502	T.R. CHIP , SOT-23				
Q607	943215500140D	T.R. RT1P144C(10K-47K)				
Q608	943216500020S	T.R.RT1N141C(10K-10K)				
CAPACITORS GROUP						
C140,141	nsp	CAP. CHIP(1608, 50V/0.01uF)				
C144,145	943134502140D	CAP. ELECT(TOSHIN, UTSP, 16V/220uF, 85°C)			*	
C146-152	nsp	CAP. CHIP(1608, 50V/0.1uF)				
C153	00D2544694912	ELECT CAP (220uF/25V, RFO)				
C154	943134502170D	CAP. ELECT(TOSHIN, UTSP, 50V/100uF, 85°C)			*	
C313,314	nsp	CAP. CHIP(2012, 25V/22uF, X7R)				
C315	nsp	CAP. CHIP(1608, 50V/0.1uF)				
C317,318	nsp	CAP. CHIP(2012, 10V/2.2uF)				
C319	nsp	CAP. CHIP(1608, 50V/0.01uF)				
C320	nsp	CAP. CHIP(2012, 25V/22uF, X7R)				
C321	nsp	CAP. CHIP(1608, 50V/1500pF)				
C322	nsp	CAP. CHIP(2012, 25V/22uF, X7R)				
C323	nsp	CAP. CHIP(1608, 50V/0.01uF)				
C326,327	nsp	CAP. CHIP(1608, 50V/0.01uF)				
C328,329	nsp	CAP. CHIP(1608, 50V/0.1uF)				
C502	90M-EJ000020R	CAP. ELECT				
C503	nsp	CAP. CHIP(1608, 50V/0.1uF)				
C504	nsp	CAP. CHIP(1608, 50V/0.068uF)				
C505	nsp	CAP. CHIP(1608, 50V/4700pF)				
C506	nsp	CAP. CHIP(1608, 50V/0.1uF)				
C507	nsp	CAP. ELECT(50V/22uF)				
C508	nsp	CAP. CHIP(1608, 50V/0.1uF)				
C509	nsp	CAP. ELECT(16V/22uF)				
C510	nsp	CAP. CHIP(1608, 50V/15pF)				
C511	nsp	CAP. CHIP(1608, 50V/18pF)				
C513	nsp	CAP. ELECT(16V/22uF)				
C514-516	nsp	CAP. CHIP(1608, 50V/0.1uF)				
C517,518	nsp	CAP. ELECT(50V/22uF)				
C519	943134501980D	CAP. ELECT(16V/100uF)				
C521	943134502030D	CAP. ELECT(50V/10uF)				
C522	nsp	CAP. CHIP(1608, 50V/3300pF)				
C523	nsp	CAP. CHIP(1608, 50V/0.1uF)				
C524,525	nsp	CAP. ELECT(50V/4.7uF)				
C526	nsp	CAP. CHIP(1608, 50V/0.1uF)				
C527	nsp	CAP. CHIP(1608, 50V/3300pF)				
C528,529	00D2544693942	CAP. ELECT(50V/220uF, ELNA/RFO)				
C531	943134501980D	CAP. ELECT(16V/100uF)				
C532	nsp	CAP. ELECT(50V/22uF)				
C533-535	nsp	CHIP CAP				
C536	943134502030D	CAP. ELECT(50V/10uF)				
C537	nsp	CHIP CAP				
C538	943134502030D	CAP. ELECT(50V/10uF)				
C539	nsp	CHIP CAP				
C540,541	943133501490D	POLYPROPYLENE SHINYEI (AQUA, 222)			*	
C542	nsp	CAP. CHIP(1608, 50V/0.1uF)				
C544	134050059236S	CAP. ELECT (ELNA RFG, 50V/220uF, 85°C, 10X16)				
C545,546	nsp	CAP. CHIP(1608, 6.3V/2.2uF)				
C547-449	nsp	CAP. CHIP(1608, 50V/0.1uF)				
C550	nsp	CAP. CHIP(1608, 50V/0.1uF)	E2, E3			
C551	nsp	CAP. ELECT(10V/470uF)	E2, E3			
C552	nsp	CAP. ELECT(16V/10uF)				
C553	nsp	CAP. CHIP(1608, 50V/0.1uF)				
C554, C555	nsp	CAP. CHIP(1608, 50V/0.01uF)	EK			
C556	nsp	CAP. CHIP(1608, 50V/0.01uF)				
C557	90M-EJ000090R	CAP. ELECT	EK			
C558	nsp	CAP. ELECT(16V/10uF)-S	EK			
C559	nsp	CAP. CHIP(1608, 50V/0.1uF)	EK			
C560	90M-EJ000020R	CAP. ELECT	EK			
C561	nsp	CAP. CHIP(1608, 50V/0.1uF)	EK			
C562	nsp	CAP. CHIP(1608, 50V/0.01uF)				
C563	nsp	CAP. CHIP(1608, 50V/0.1uF)				
C564	nsp	CAP. ELECT(16V/10uF)				
C565	nsp	CAP. CHIP(1608, 50V/0.1uF)				
C566,567	943134502030D	CAP. ELECT(50V/10uF)	E2, E3			
C568	nsp	CAP. ELECT(16V/10uF)				
C569	nsp	CAP. CHIP(1608, 50V/0.01uF)	EK			
C570-572	nsp	CAP. CHIP(1608, 50V/0.1uF)				
C573	nsp	RES. CHIP(1608/5%/0ohm)				
C574	nsp	CAP. CHIP(1608, 50V/0.1uF)				
C575	90M-EJ000020R	CAP. ELECT	EK			
C576,577	nsp	CAP. CHIP(1608, 50V/0.1uF)				
C599	90M-EJ000090R	CAP. ELECT	EK			
C605	nsp	CAP. ELECT(50V/22uF)				
C606,607	nsp	CAP. CHIP(1608, 50V/0.1uF)				

REF No.	Part No.	Part Name	Remarks	Q'ty	New	Ver
C608	nsp	CAP, CHIP(1608, 50V/0.01uF)				
C609	00D2544693900	ELECT CAP (ELNA, RFO, 50V/22UF)				
C610	nsp	CAP, ELECT(50V/22uF)				
C611,612	nsp	CAP, CHIP(1608, 50V/0.1uF)				
C613	00D2544693900	ELECT CAP (ELNA, RFO, 50V/22UF)				
C614	nsp	CAP, CHIP(1608, 50V/0.01uF)				
C618	nsp	CAP, CHIP(1608, 50V/0.01uF)				
C619	nsp	CAP, CERAMIC(50V/39pF/J)				
C620	00D2544693900	ELECT CAP (ELNA, RFO, 50V/22UF)				
C621	nsp	CAP, CERAMIC(50V/39pF/J)				
C622	00D2544693900	ELECT CAP (ELNA, RFO, 50V/22UF)				
C623,624	nsp	CAP, POLYPROPYLENE(SEORYONG,				
C625	00D2544692901	ELECT CAP (10uF/63V RFO)				
C626	nsp	CAP, CHIP(1608, 50V/0.01uF)				
C913-918	nsp	CAP, CHIP(1608, 50V/0.1uF)				
C919	nsp	CAP, ELECT(50V/22uF)				
OTHERS PARTS GROUP						
BK61	nsp	BRACKET, PCB				
BK91	nsp	PCB BRACKET				
JK51	00D9430191700	2P JACK, IN/OUT				
JK52	943262100150S	MODULE, OPTICAL(RX 16MHz)				
L301	943111100430D	COIL, SMD POWER(3.3uH/1.3A)				
L302,303	nsp	FERRITE,CHIPBEAD(60ohm,2012)				
L501	nsp	CHIPBEAD(600R,1808,0.5A)	EK			
L502	nsp	RES, CHIP(2012/5%/0ohm)				
L503	nsp	FERRITE,CHIPBEAD(60ohm,2012)	EK			
L504	nsp	FERRITE,CHIPBEAD(60ohm,2012)				
L505	nsp	FERRITE,CHIP BEAD(4516/60R)	E2, E3			
L506	nsp	FERRITE,CHIPBEAD(60ohm,2012)				
RL61	943682000810S	RELAY,BC3-12H,DC12V,2C2P				
RN51-54	90M-BW000470R	RES, ARRAY, 1608*4				
TM51	943183100210S	TUNER, RDS, FM(PAL TYPE), SI4705- B20				
X501	943141100760D	X-TAL, 24.576MHz, HC-49/S, 15pF, 20PPM				
PFD1	nsp	2.54mm 32PIN WAFER	EK			
PFTQ	nsp	PIN SOCKET (07P,1.25mm,ANGLE,B-TO-B)	EK			
PFUN	nsp	PIN HEADER (09P,1.25mm,STRAIGHT,B-TO-B)				
PMTQ	nsp	PIN HEADER (07P,1.25mm,STRAIGHT,B-TO-B)	EK			
PMUO	nsp	PIN HEADER (09P,1.25mm,STRAIGHT,B-TO-B)				
CWIL	nsp	LOCKING TYPE, STRAIGHT WAFER/2mm				
FCIC	nsp	WAFER				

NOTE: The symbols in the column Remarks indicate the following destinations.
 E3 : U.S.A. & Canada model E2 : Europe model EK : U.K. model E1C : China model
 BK : Black model SP : Premium Silver model

REF No.	Part No.	Part Name	Remarks	Q'ty	New	Ver
SEMICONDUCTORS GROUP						
IC11	943243101160D	I.C. U-COM RCD-M39 (TMPM330FYFG, TOSHIBA)	CVIANAM1684CR		*	
IC12	943246100770D	I.C. EEPROM (16KBIT,SOP-8P,K-Line)	CVIK24C16BSIRGA			
IC13	943234009290S	I.C. RESET 2.4V (200ms,C-MOS,SOT23-5P)	CVIS80124CLMCJJT2			
IC21	943245006980S	I.C. CD DSP (SERVO,AMPLIFIER,DSP,LQFP-80P)	CVITC94A92FG			
IC22	943231101210D	I.C. REGULATOR(SOT-223)	CVIKIA1117BS33			
IC23	943231101240D	I.C. REGULATOR(SOT-223)	CVIKIA1117BS15			
IC31	943239006900S	I.C. 5-CH MOTOR DRIVE(REG,SSOP-28P)	CVIIP4001CRLTF CN			
IC41	943243101170D	I.C. USB DECODER FLASH RCD-M39 (TMP92FD28FG)	CVIANAM1685CR		*	
IC42	23671011050AS	I.C.IPODAUTHENTICATIONFROMD&M	CVI23671011050AS_DM			
IC43	943239100710S	I.C.CURRENTLIMITE(1.5A,UFDN-6P)	CVINCP380HMU15AATBG			
D101-106	00D2760717903	DIODE_CHIP_SWITCHING 1SS355T	HVD1SS355T			
D107	90M-HD201820R	DIODE,SCHOTTKEY BARRIER	HVDRB160L60TE25			
D108	00D2760717903	DIODE_CHIP_SWITCHING 1SS355T	HVD1SS355T			
D109,110	90M-HD201820R	DIODE,SCHOTTKEY BARRIER	HVDRB160L60TE25			
D201-203	00D2760717903	DIODE_CHIP_SWITCHING 1SS355T	HVD1SS355T			
D401	90M-HD201820R	DIODE,SCHOTTKEY BARRIER	HVDRB160L60TE25			
Q102-105	943215500020S	T.R_RT1P141C(10K-10K)	CVTRT1P141C			
Q106	943216500020S	T.R_RT1N141C(10K-10K)	CVTRT1N141C			
Q107	943215500020S	T.R_RT1P141C(10K-10K)	CVTRT1P141C			
Q108	943215500140D	T.R_RT1P144C(10K-47K)	CVTRT1P144C			
Q109	943216500020S	T.R_RT1N141C(10K-10K)	CVTRT1N141C			
Q201	00D9430058908	T.R_CHIP_SOT-23	HVTKTA1504SYRTK			
Q401,402	943215500020S	T.R_RT1P141C(10K-10K)	CVTRT1P141C			
Q403	943216500020S	T.R_RT1N141C(10K-10K)	CVTRT1N141C			
Q404	943215500020S	T.R_RT1P141C(10K-10K)	CVTRT1P141C			
Q405-410	943216500020S	T.R_RT1N141C(10K-10K)	CVTRT1N141C			
CAPACITORS GROUP						
C101-105	nsp	CAP_CHIP(1608,50V/0.1uF)	CCUS1H104KC			
C106	nsp	CAP_CHIP(1608,50V/15pF)	CCUS1H150JA			
C107	nsp	CAP_CHIP(1608,50V/12pF)	CCUS1H120JA			
C108	nsp	CAP_CHIP ELECT	HCEC0JRV102T			
C109,110	nsp	CAP_CHIP(1608,50V/0.1uF)	CCUS1H104KC			
C111	nsp	CAP_CHIP(1608,50V/15pF)	CCUS1H150JA			
C112	nsp	CAP_CHIP(1608,50V/22pF)	CCUS1H220JA			
C114	nsp	CAP_CHIP(1608,50V/0.1uF)	CCUS1H104KC			
C116	nsp	CAP_CHIP(1608,50V/0.01uF)	CCUS1H103KC			
C117	nsp	CAP_CHIP(1608,50V/0.1uF)	CCUS1H104KC			
C118	nsp	CAP_CHIP(1608,50V/100pF)	CCUS1H101JA			
C119,120	nsp	CAP_CHIP(1608,50V/0.1uF)	CCUS1H104KC			
C121	nsp	CAP_CHIP(1608,10V/1uF)	CCUS1A105KC			
C122	nsp	CAP_CHIP(1608,50V/0.1uF)	CCUS1H104KC			
C123	nsp	CAP_CHIP ELECT(35V/10uF)	HCEC1VRV2100T			
C124	nsp	CAP_CHIP(1608,50V/0.1uF)	CCUS1H104KC			
C126	943134500030S	CAP_SMD ELECT(16V/470uF)	CCEC1CRV471T			
C130	nsp	CAP_CHIP(1608,50V/470pF)	CCUS1H471JA			
C132	nsp	CAP_CHIP(1608,50V/220pF)	CCUS1H221JA			
C201	nsp	CAP_CHIP(1608,50V/0.1uF)	CCUS1H104KC			
C202	nsp	CAP_CHIP(1608,50V/220pF)	CCUS1H222KC			
C203	nsp	CHIP ELECT CAP	HCEC0JRV2101T			
C204	nsp	CAP_CHIP(1608,50V/0.1uF)	CCUS1H104KC			
C205	nsp	CAP_CHIP(1608,50V/0.01uF)	CCUS1H103KC			
C206	nsp	CAP_CHIP(1608,50V/4700pF)	CCUS1H472KC			
C207	nsp	CAP_CHIP(1608,50V/0.1uF)	CCUS1H104KC			
C208	nsp	CHIP CAP 0.015uF 50V	CCUS1H153KC			
C209	nsp	CAP_CHIP(1608,50V/0.1uF)	CCUS1H104KC			
C211	943134500030S	CAP_SMD ELECT(16V/470uF)	CCEC1CRV471T			
C212	nsp	CAP_CHIP(1608,50V/0.1uF)	CCUS1H104KC			
C213	nsp	CAP_CHIP(1608,50V/0.033uF)	CCUS1H333KC			
C214	nsp	CHIP CERAMIC CAP (1608,5600p)	CCUS1H562KC			
C215	nsp	CAP_CHIP(1608,50V/0.01uF)	CCUS1H103KC			
C216,217	nsp	CAP_CHIP(1608,50V/470pF)	CCUS1H471JA			
C218	nsp	CAP_CHIP(1608,50V/0.1uF)	CCUS1H104KC			
C220,221	nsp	CAP_CHIP(1608,50V/0.047uF)	CCUS1H473KC			
C222	nsp	CAP_CHIP(1608,50V/0.1uF)	CCUS1H104KC			
C223	nsp	CAP_CHIP ELECT	HCEC0JRV2470T			
C224,225	nsp	CAP_CHIP(1608,50V/0.1uF)	CCUS1H104KC			
C226	nsp	CAP_CHIP ELECT	HCEC0JRV2470T			
C227	nsp	CAP_CHIP(1608,50V/18pF)	CCUS1H180JA			
C228	nsp	CAP_CHIP(1608,50V/15pF)	CCUS1H150JA			
C229,230	nsp	CAP_CHIP(1608,50V/0.1uF)	CCUS1H104KC			
C231	nsp	CHIP ELECT CAP	HCEC0JRV2101T			
C232-234	nsp	CAP_CHIP(1608,50V/0.1uF)	CCUS1H104KC			
C235	nsp	CHIP CAP 0.015uF 50V	CCUS1H153KC			
C236	nsp	CAP_CHIP(1608,50V/0.01uF)	CCUS1H103KC			
C237	nsp	CAP_CHIP(1608,50V/0.1uF)	CCUS1H104KC			
C238	nsp	CAP_CHIP ELECT	HCEC0JRV2470T			
C239	nsp	CHIP CAP 47PF 50V	CCUS1H470JA			
C240,241	nsp	CAP_CHIP(1608,50V/0.1uF)	CCUS1H104KC			
C242	nsp	CAP_CHIP(1608,50V/1000pF)	CCUS1H102KC			
C243	nsp	CHIP ELECT CAP	HCEC0JRV2101T			
C244,245	nsp	CAP_CHIP(1608,50V/0.1uF)	CCUS1H104KC			
C246	nsp	CAP_CHIP ELECT(35V/10uF)	HCEC1VRV2100T			
C248	nsp	CAP_CHIP(1608,50V/0.1uF)	CCUS1H104KC			
C249	943134500030S	CAP_SMD ELECT(16V/470uF)	CCEC1CRV471T			
C250,251	nsp	CAP_CHIP(1608,50V/0.1uF)	CCUS1H104KC			
C252	943134500030S	CAP_SMD ELECT(16V/470uF)	CCEC1CRV471T			
C253	nsp	CHIP ELECT CAP	HCEC0JRV2101T			
C254	nsp	CAP_CHIP(1608,50V/0.1uF)	CCUS1H104KC			
C255-257	nsp	CAP_CHIP(1608,50V/22pF)	CCUS1H220JA			
C303-305	nsp	CAP_CHIP(1608,50V/0.1uF)	CCUS1H104KC			
C307	nsp	CAP_CHIP(1608,50V/0.1uF)	CCUS1H104KC			
C308,309	943134500030S	CAP_SMD ELECT(16V/470uF)	CCEC1CRV471T			
C310	nsp	CAP_CHIP(1608,50V/0.1uF)	CCUS1H104KC			
C311	nsp	CHIP ELECT CAP	HCEC0JRV2101T			
C312	nsp	CAP_CHIP(1608,50V/0.1uF)	CCUS1H104KC			
C324,325	nsp	CAP_CHIP(1608,50V/0.1uF)	CCUS1H104KC			
C401,402	nsp	CAP_CHIP(1608,50V/0.1uF)	CCUS1H104KC			
C403	nsp	CAP_CHIP ELECT(16V/10uF)	HCEC1CRV2100T			
C404,405	nsp	CAP_CHIP(1608,50V/0.1uF)	CCUS1H104KC			
C406	nsp	CAP_CHIP ELECT(16V/10uF)	HCEC1CRV2100T			
C407,408	nsp	CAP_CHIP(1608,50V/0.1uF)	CCUS1H104KC			

REF No.	Part No.	Part Name	Remarks	Q'ty	New	Ver
C409	nsp	CAP,CHIP(1608,50V/1000pF)				
C410,411	nsp	CAP,CHIP(1608,50V/0.1uF)				
C412	nsp	CAP,CHIP(1608,50V/20pF)				
C413	nsp	CAP,CHIP(1608,50V/18pF)				
C414,415	nsp	CAP,CHIP(1608,50V/0.1uF)				
C417	nsp	CAP,CHIP(1608,50V/0.1uF)				
C418	nsp	CAP,CHIP(1608,50V/0.01uF)				
C420-422	nsp	CAP,CHIP(1608,50V/0.1uF)				
C433	nsp	CAP,CHIP(1608,50V/0.1uF)				
C901-911	nsp	CAP,CHIP(1608,50V/0.1uF)				
C912,913	nsp	CAP,CHIP(1608,50V/22pF)				
OTHERS PARTS GROUP						
L106	nsp	FERRITE,CHIPBEAD(60ohm,2012)				
L201	90M-LU000220R	INDUCTOR CHIP 10UH (3225 PKG)				
L204	nsp	FERRITE,CHIPBEAD(60ohm,2012)				
L401	nsp	FERRITE,CHIPBEAD(60ohm,2012)				
RN11	nsp	CHIP RES(10KOHM 5% 1608X4)				
X101	943141100750D	X-TAL, 10MHz, HC-49/SMD, 12pF				
X201	943141001190S	SMD CRYSTAL (16.9344MHZ, HC-49/SMD, 12PF)				
X401	943141001200S	CRYSTAL, SMD(9MHZ, HC-49/SMD, 5PF)				
CWM2	nsp	WAFER,SMD(2MMPITCH)				
CWM3	nsp	WAFER,SMD(2MMPITCH)				
CWMD						
CWMF	nsp	WAFER,SMD(2MMPITCH)				
FCM1	nsp	WAFER, CARD CABLE SMD				
FCMA						
FCMC	nsp	WAFER				

NOTE: The symbols in the column Remarks indicate the following destinations.
 E3 : U.S.A. & Canada model E2 : Europe model EK : U.K. model E1C : China model
 BK : Black model SP : Premium Silver model

REF No.	Part No.	Part Name	Remarks	Q'ty	New	Ver
P1	nsp	Power & AMP PCB ASS'Y				
P1a	-	FRONT PCB	CUP12446Z	1		
P1b	-	CONNETER PCB	-			
P1c	-	AMP PCB	-			
P1d	-	CONNETER PCB	-			
P1e	-	POWER PCB	-			
P1f	-	SPEAKER PCB	-			
P2	nsp	Digital Input PCB ASS'Y	CUP12447Z	1		
P2a	-	DIGITAL INPUT PCB	-			
P2b	-	DC-DC PCB	-			
P2c	-	REGULATOR PCB	-			
P2d	-	DAB PCB	-			
P3	nsp	MCU & CD PCB ASS'Y	CUP12448Z	1		
P4	943183100210S	TUNER_RDS_FM(PAL TYPE), SI4705-B20	E2	CNVMMW104FV1-S63	1	
P4	943183100200S	TUNER_FM(SCREW:FTYPE),SI4704-B20	E3	CNVMMW004FV1-S63	1	
P5	943189100220S	DAB MODULE	EK	CNVGYRO1138Z03	1	*
P6	943101000290D	TRANS	E2,EK	CLT5P047ZE	1	
P6	943101000990D	TRANS	E3	CLT5P047ZU	1	
P6	943101011960S	TRANS	E1C	CLT5P047ZH	1	* Ver.7
P7	943641500240D	INLET	E2,EK	CJ8A019Z	1	*
P7	943641500250D	INLET	E3	CJ8A020Z	1	*
P8	943302100130D	CD MECHANISM ASS'Y (KOTY LOADER)		CJDKT690	1	
1	943412009010D	VOLUME KNOB ASSY	SP	CGK1A162YA	1	Ver.8
1	943412009020D	VOLUME KNOB ASSY	BK	CGK1A162ZA	1	Ver.8
2	-	INNER PANEL ASSY	SP	-		
2	-	INNER PANEL ASSY	BK	-		
2-1	nsp	INNER PANEL	SP	GW1A522RGG45	1	*
2-1	nsp	INNER PANEL	BK	CGW1A522B28	1	*
2-2	nsp	CAP	SP	CGR1A511C73	1	
2-2	nsp	CAP	BK	CGR1A511	1	
2-3	nsp	TAPE,POWER CAP		CHP1A077	1	
3	943415100390D	DOOR	SP	CGR1A537RGG45	1	*
3	943415100400D	DOOR	BK	CGR1A537B28	1	*
4	943416100780D	FL WINDOW		CGU1A464Z	1	*
5	42141002301AD	BADGE , DENON	SP	CGB1A254Y	1	Ver.6
5	42141002300AD	BADGE , DENON	BK	CGB1A254Z	1	Ver.6
6	943402102710D	FRONT PANEL	SPE2	CKM1A246ZC62	1	*
6	943402102720D	FRONT PANEL	BKE2	CKM1A246ZC45	1	*
6	943402102730D	FRONT PANEL	BKE3	CKM1A246YC45	1	*
6	943402103350D	FRONT PANEL	JP	CKM1A246XC45	1	* Ver.7
6	943402102740D	FRONT PANEL	BKE1C	CKM1A246XC62	1	*
6	943402102790D	FRONT PANEL	SP	CKM1A246VC62	1	*
6	943402102800D	FRONT PANEL	SPEK	CKM1A246WC45	1	*
7	00D9430189903	LENS		CGL1A254	1	
10	943411102000D	KNOB_BUTTON	SP	CBT1A1166C81	1	* Ver.2
10	943411102010D	KNOB_BUTTON	BK	CBT1A1166C57	1	* Ver.2
11	nsp	USB EARTH PLATE		CMC1A351	4	
12	nsp	EARTH PLATE		CMC1A350	1	
13	nsp	MECHA SUPPORT		CMH1A331	2	
14	00D9430094603	CUSHION		CHG1A285	4	
15	00D9430094506	FOOT		CKL1A189	4	
16	nsp	BOTTOM CHASSIS		CUA1A336	1	
17	943401100720D	TOP CABINET	SP	CKC3A186D11	1	*
17	943401100730D	TOP CABINET	BK	CKC3A186K117	1	*
18	nsp	HEAT SINK		CMY1A382	1	
20	nsp	INSULATOR		CMX1A310	1	
21	943406101180D	REAR PANEL	E2	CKF1A458Z	1	*
21	943406101190D	REAR PANEL	E3	CKF1A458Y	1	*
21	943406101200D	REAR PANEL	SP	CKF3A458Z	1	*
21	943406101210D	REAR PANEL	EK	CKF2A458Z	1	*
21	943406101320D	REAR PANEL	E1C	CKF1A458X	1	* Ver.7
22	nsp	WASHER	EK	CNW2A028	1	Ver.7
23	nsp	DAB NUT	EK	CNE1A009	1	Ver.7
24	nsp	PCB BRACKET		CMD1A629	1	
25	nsp	BRACKET ,PCB		CMD1A387	2	
26	nsp	BRACKET ,PCB		CMD1A569	9	
27	nsp	FLT BRACKET		CMD1A468	2	
28	nsp	CUSHION , MECHA		CHG1A546	1	
29	943533007120M	CUSHION	EK	CHG1A236	2	Ver.5
30	nsp	CUSHION , TRANS(BLACK)	EK	CHG1A144Z	1	
31	943453100360S	CLAMPER		CHR1A305(DAB)	1	* Ver.5
SCREWS						
S1	nsp	SCREW 4X8		CTB4+8FR	4	
S2	nsp	SCREW		CTW3+18JR	2	
S3	nsp	SCREW(CTB3+8JFZR)		CTB3+8JFZR	5	
S4	nsp	CTBD3+6FFZR		CTB3+10JFZR	15	
S5	nsp	SCREW		CTBD3+8JFZR	6	
S6	nsp	SCREW		CTBD3+8JFN	6	
S7	nsp	SCREW		CTWD4+6FFZR	2	
S7	nsp	SCREW		CTWD4+6FFN	11	
S8	nsp	SCREW	EK	CTB3+6FFZR	9	
S9	nsp	SCREW		CTS3+8JFZR	2	
★FCMA	nsp	CABLE , CARD (19P, 80mm, 1mm PITCH)		CTB3+6JFZR	14	
★FCMC	nsp	CARD CABLE (21P,1.0mm,250mm,B TYPE)		CWC4F4A19A080BC	1	
★CW09	nsp	WIRE ASS'Y (3P, 120mm, Flat Type)		CWC4F4A21A200BC	1	
★CWAK	nsp	WIRE ASS'Y (7P, 120mm, Flat Type)		CWB2B90312047	1	
★CBAD	nsp	WIRE ASS'Y (7P, 80mm, Flat Type)		CWB2B90712047	1	
★CBAL	nsp	WIRE ASS'Y (7P, 120mm, Flat Type, Shield)		CWB2B907080G7	1	
★CBFF	nsp	WIRE ASS'Y (5P, 150mm, Flat Type)		CWB2B9071204700	1	
★CBFJ	nsp	WIRE ASS'Y (7P, 100mm, Flat Type)		CWB1C905150G7	1	
★CBOM	nsp	WIRE ASS'Y		CWB2B90710047	1	
★CBIB	nsp	WIRE ASS'Y (7P, 80mm, Flat Type)		CWB1C911100BM	1	
★CBRQ	nsp	WIRE ASS'Y (5P, 120mm, Flat Type)		CWB2B00708047	1	
★CBS8	nsp	WIRE ASS'Y		CWB2B90512047	1	
				CWB1A903120EN	1	

NOTE: The symbols in the column Remarks indicate the following destinations.
 E3 : U.S.A. & Canada model E2 : Europe model EK : U.K. model E1C : China model
 BK : Black model SP : Premium Silver model

REF No.	Part No.	Part Name	Remarks	Q'ty	New	Ver	
1	-	SET	-	1	*		
2	943531102640D	BOX , OUT CARTON	E2	CPG3A860AA	1	*	
2	943531102690D	BOX , OUT CARTON	E3	CPG3A860AB	1	*	
2	943531102660D	BOX , OUT CARTON	EK	CPG3A860AE	1	*	
2	943531103320D	BOX , OUT CARTON	E1C	CPG3A860AF	1	*	
3	943533000150D	PAD , SNOW(L)		CPS1A811	1	*	
4	943533101250D	PAD , SNOW(R)		CPS2A812	1	*	
5	nsp	BAG , POLY		CPB1A008Z	1		
7-1'	nsp	POLY BAG		CPB1A190Z	1		
7-2'	54111087200AD	QUICK MANUAL(E2/EK)	E2	CQXRCDM39E2	1	*	
7-2'	54111087200AD	QUICK MANUAL(E2/EK)	EK	CQXRCDM39EK	1	*	
7-2'	54111087300AD	QUICK MANUAL(E3)	E3	CQXRCDM39E3	1	*	
7-3'	nsp	SHEET , INSERTION	E3	CQE1A559Z	1		
7-4'	nsp	LIST , S.S	E2, E3, EK	CQE1A226P	1		
7-5'	nsp	WARRANTY CARD	E3	CQE1A224Q	1		
7-6'	943307101190D	REMOCON TRANSMITER ASS'Y		CARTRCDM39A1	1	*	
7-7'	00D9430113403	FM 1 POLE ANT	E2,E1C	CSA1A018Z	1	Ver.7	
7-7'	90M-ZA000230R	FM 1 POLE ANT(UL)	E3	CSA1A019Z	1		
7-7'	943429007990S	ANT.DAB T	EK	CSA1A036Z	1		
7-8'	nsp	SHEET , SAFETY	E2	CQE1A551Z	1		
7-8'	54111096500AD	SAFETY INSTRUCTIONS(E3)	E3	CQE1A556Z	1		
7-9'	nsp	BATTERY , AAA 2PCS IN PACK		CABR03PPB	2		
7-10'	35201015800AD	CD MANUAL ASS'Y	E2	CFT1A066ZA	1	*	
7-10'	35201015900AD	CD MANUAL ASS'Y	E3	CFT1A067ZA	1	*	
7-10'	35201015800AD	CD MANUAL ASS'Y	EK	CFT1A069ZA	1	*	
7-11'	54111104700AD	MANUAL	E1C	CQX1A1738X	1	*	
7-12'	nsp	QC PASS CARD	E1C	CQE1A450Z	1	Ver.7	
I	8	943611000190S	CORD , POWER EUR	E2	CJA2B108ZV	1	
I	8	943611000230S	CORD , POWER UL	E3	CJA2A107ZV	1	
I	8	943611000210S	CORD , POWER UK	EK	CJA2E106ZV	1	
I	8	943611500440S	CORD , POWER CN	E1C	CJA2N078Z	1	Ver.7
9	nsp	BAG , POLY		CPB1A008Z	1		
10	nsp	CONTROL LABEL		CQB1A993Z	1		
11	nsp	COLOR LABEL	SPE2	CQB1A882Z	1		
12	nsp	LABEL , POP(E2)	E2, E3	CQB1A1109Z	2		
12	nsp	LABEL , POP	EK	CQB1A1110Z	1		
13	nsp	SPEAKER ASS'Y	E3	SCM39BKE3	1		
14	nsp	CD RECEIVER	E3	RCDM39BKE3	1		
15	nsp	FCC LABEL	E3	CQB1A634Z	1		
16	nsp	CA ATCM LABEL	E3		1		
17	943531102680D	MASTER BOX , OUT CARTON	E3	CPG3A86AA	1	*	
18	nsp	WARRANTY CARD	E1C	CQE1A473X	1	Ver.7	

NOTE: The symbols in the column Remarks indicate the following destinations.

E3 : U.S.A. & Canada model E2 : Europe model EK : U.K. model E1C : China model

BK : Black model SP : Premium Silver model

REF No.	Part No.	Part Name	Remarks	Q'ty	New	Ver.
34	45451000500AM	STOPPER SHEET	BK	CMH1A306Z	8	Ver.7
34	943445101500D	SAFETY SHEET TOP	BK	CGX1A483Z	1	* Ver.7
31	943445101530D	SAFETY SHEET SIDE	BK	CGX1A484Z	1	* Ver.7
31	544510081006M	LABEL(HOT SURFACE CAUTION)	-	-	1	Ver.7
32	45451000501AM	STOPPER SHEET	SP	CMH1A306Y	8	Ver.7
32	943445101490D	SAFETY SHEET TOP	SP	CGX1A483Y	1	* Ver.7
34	943445101510D	SAFETY SHEET SIDE	SP	CGX1A484Y	1	* Ver.7

NOTE: The symbols in the column Remarks indicate the following destinations.
 E3 : U.S.A. & Canada model E2 : Europe model EK : U.K. model E1C : China model
 BK : Black model SP : Premium Silver model

REF No.	Part No.	Part Name	Remarks		Q'ty	New	Ver
1	nsp	BASE		KT690100100	1	*	
2	nsp	SCREW		KT690400700	2	*	
3	nsp	SUB CHASSIS		KT690100300	1	*	
4	nsp	CD MECHANISM		DA11VF	1	*	
5	nsp	INSULATOR		KT690400600	4	*	
6	nsp	SCREW		KT690400800	4	*	
7	nsp	SCREW		KT628400400	1	*	
8	nsp	WAFFR 5PIN		KT628300400	1	*	
9	nsp	PCB		KT656300200	1	*	
10	nsp	SWITCH		KT628300300	1	*	
11	nsp	MOTOR		KT628300100	1	*	
12	nsp	MOTOR PULLEY		KT302100800	1	*	
13	nsp	LM BELT		KT302400100	1	*	
14	nsp	TRAY		KT690100200	1	*	
15	nsp	LOADING PULLEY		KT302100700	1	*	
16	nsp	DUBBLE GEAR		KT656100600	1	*	
17	nsp	SCREW		KT628400500	1	*	
18	nsp	SCREW		KT628400500	1	*	
19	nsp	SCREW		KT628400300	2	*	
20	nsp	SLIDE PLATE GEAR		KT656100500	1	*	
21	nsp	CHUCKING PULLEY		KT656101100	1	*	
22	nsp	MEGNET		KT302400200	1	*	
23	nsp	CHUCKING YORK		KT628200100	1	*	