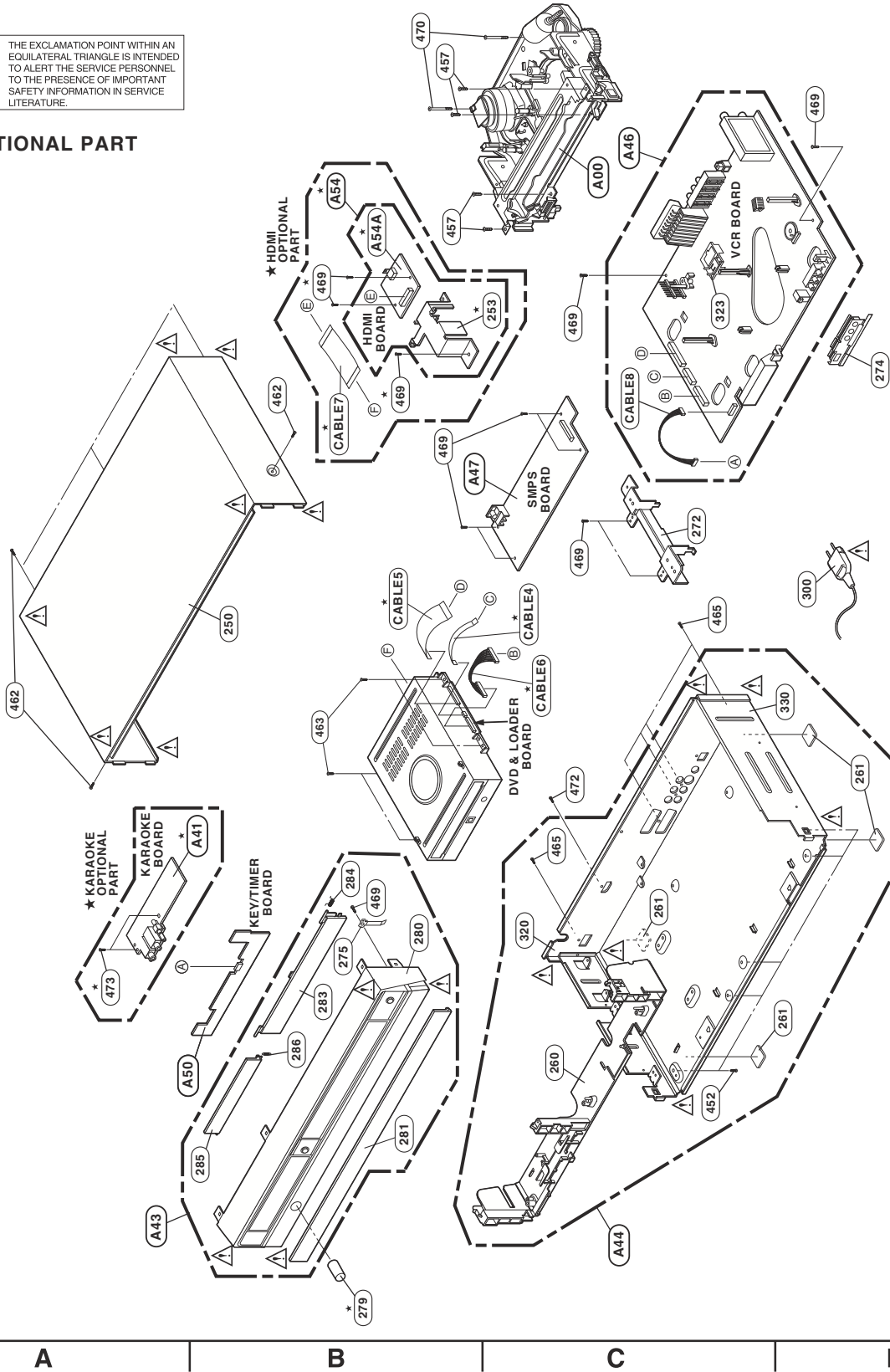


# EXPLODED VIEWS

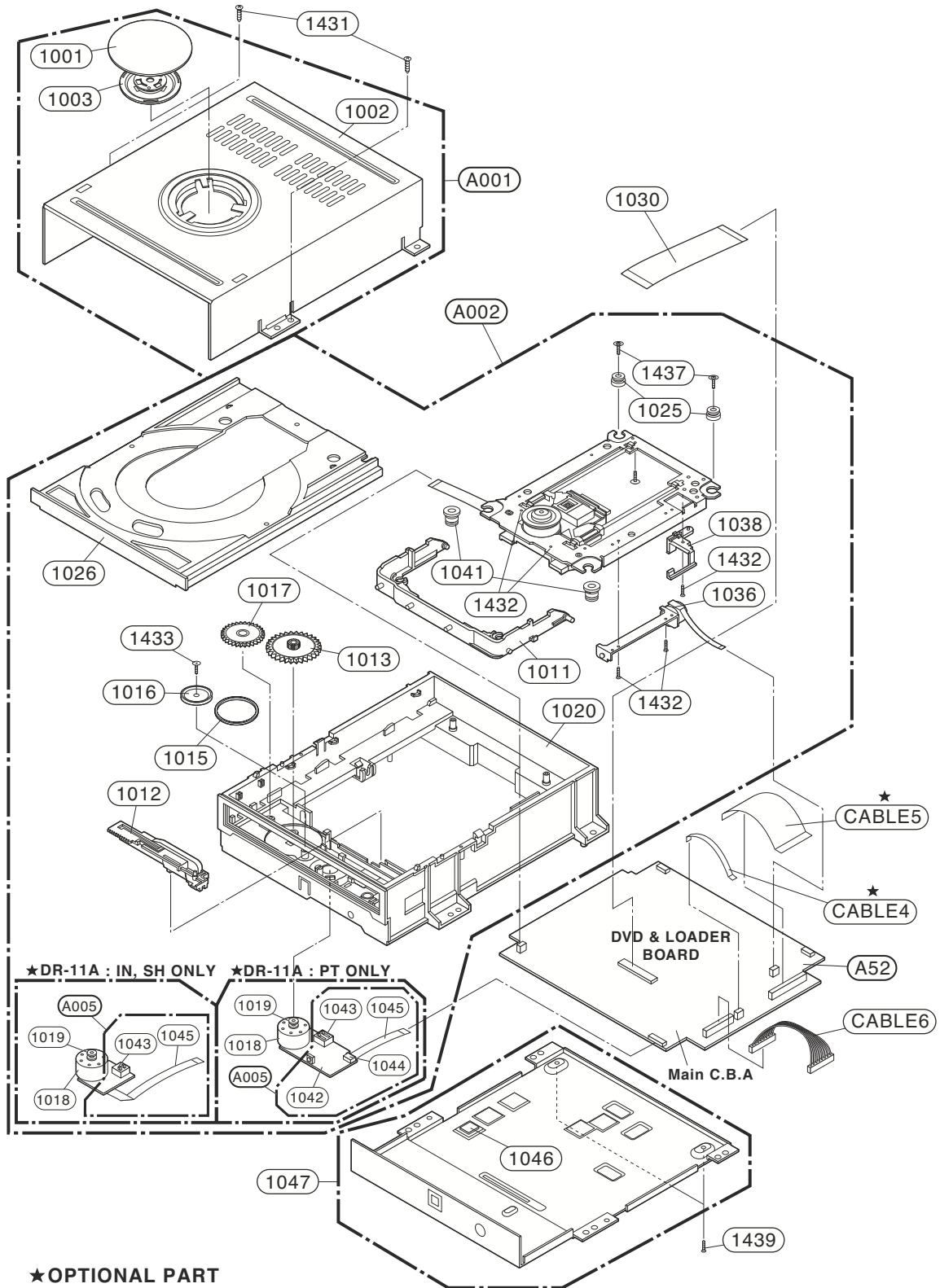
## 1. CABINET AND MAIN FRAME SECTION

**NOTES)** THE EXCLAMATION POINT WITHIN AN EQUILATERAL TRIANGLE IS INTENDED TO ALERT THE SERVICE PERSONNEL TO THE PRESENCE OF IMPORTANT SAFETY INFORMATION IN SERVICE LITERATURE.

\* OPTIONAL PART

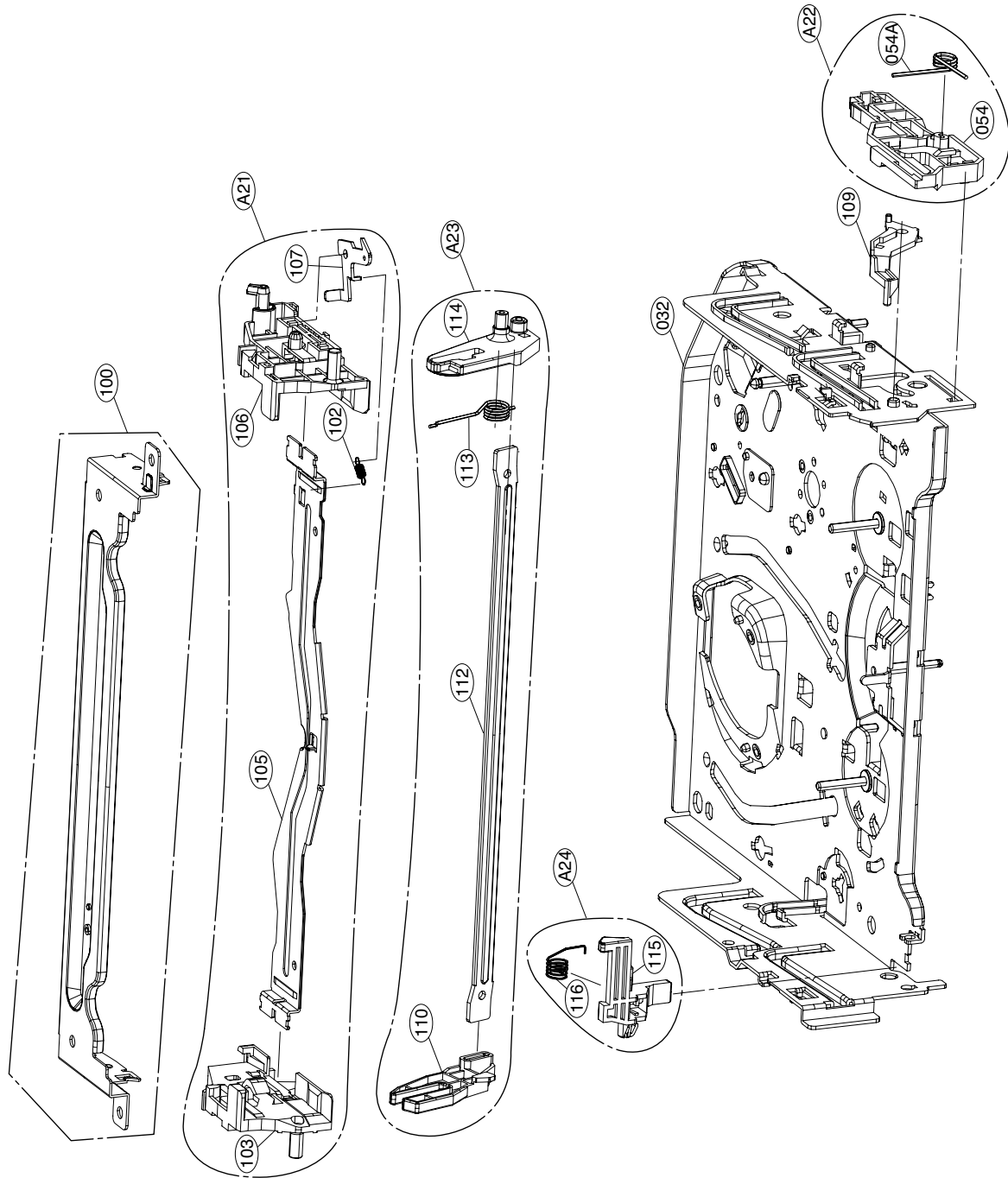


## 2. DECK MECHANISM SECTION [RV9(DR-11A)]



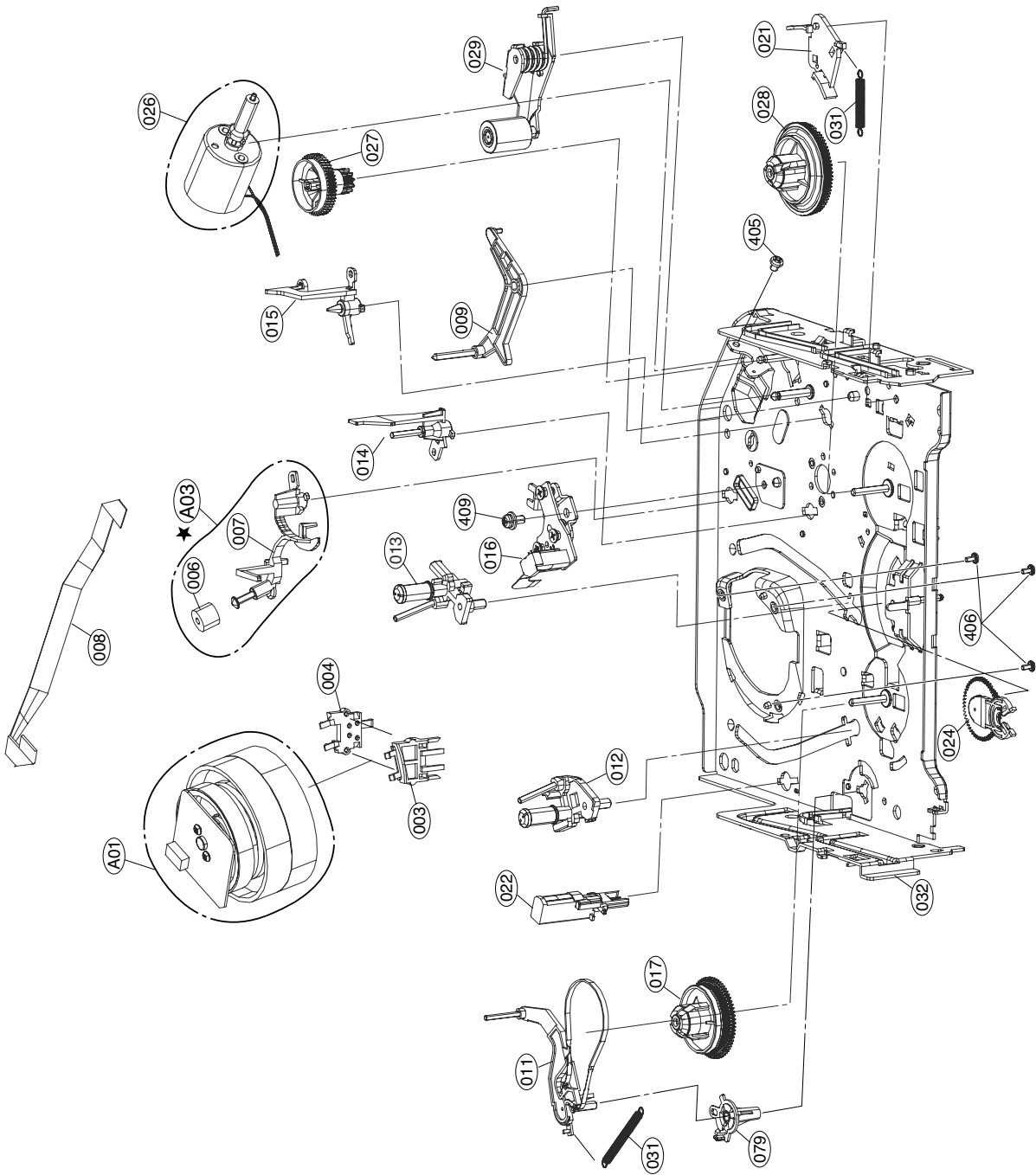
### 3. DECK MECHANISM SECTION (D37(N))

#### 3-1. Front loading mechanism section



### 3-2. Moving mechanism section (1)

★ OPTIONAL PART





# 4. PACKING ACCESSORY SECTION

