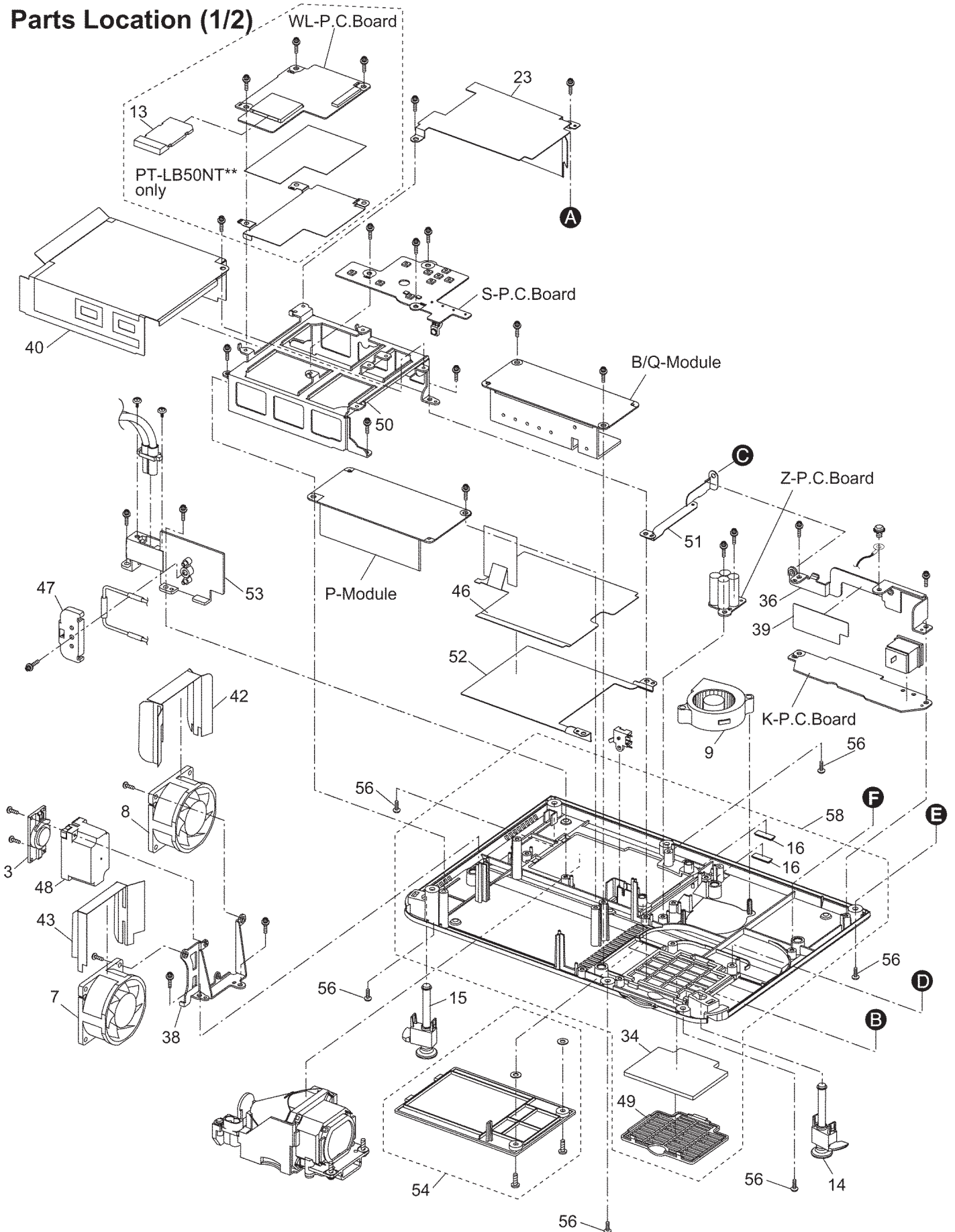
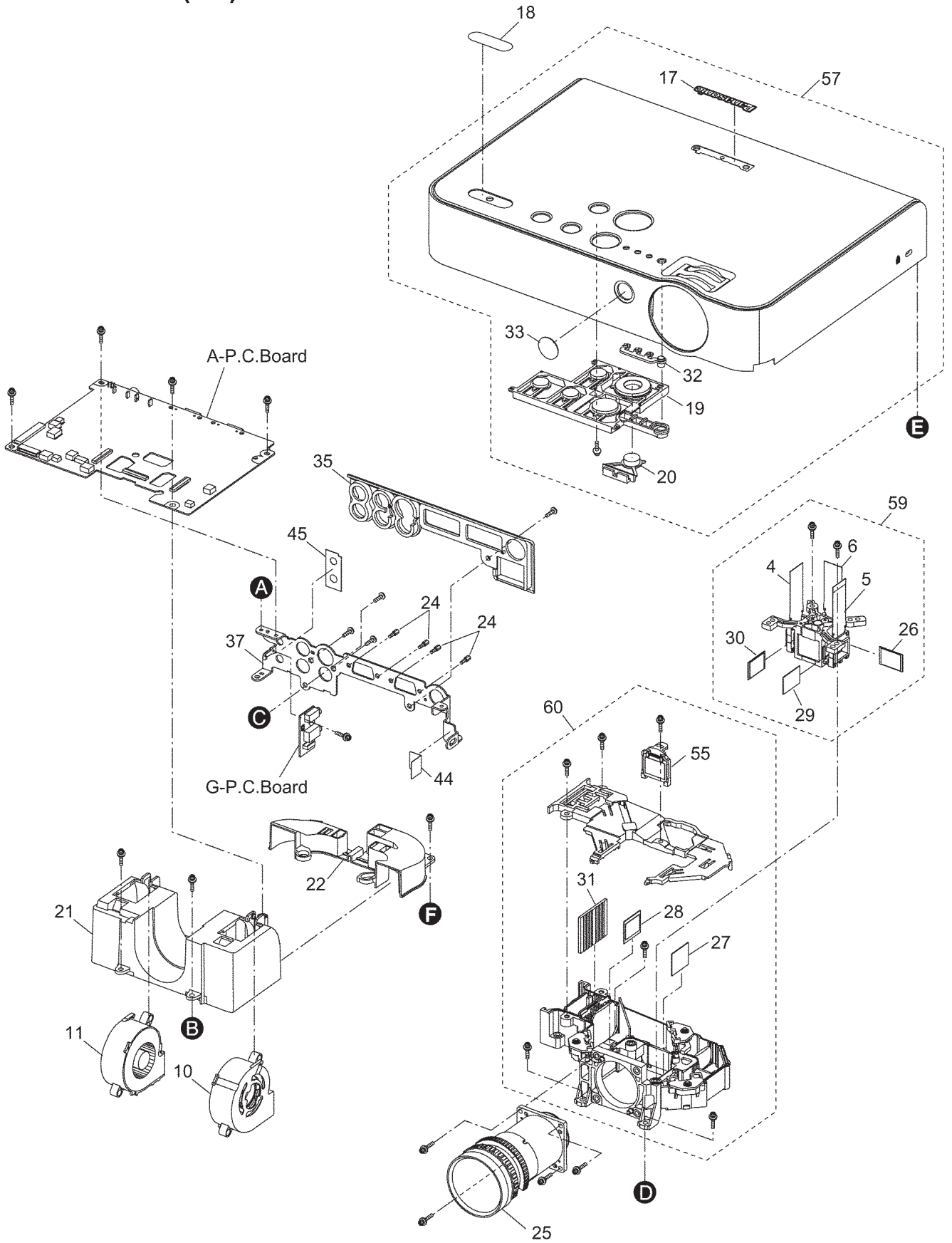


15 Exploded Views

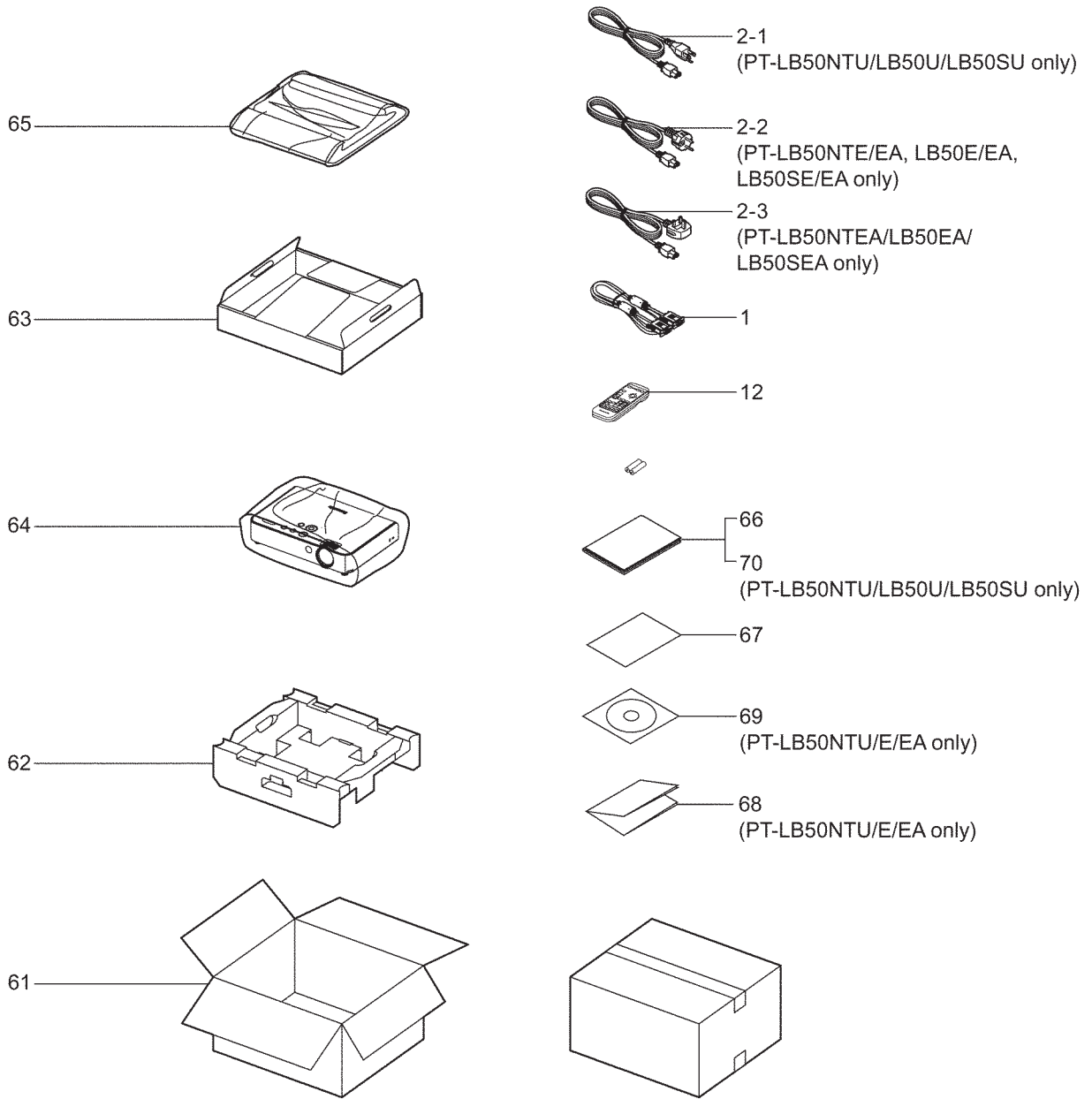
Parts Location (1/2)



Parts Location (2/2)



Packing Parts



16 Replacement Parts List

Important Safety Notice

Components identified by the International symbol \triangle have special characteristics important for safety.
When replacing any of these components, use only the manufacturer's specified parts.

Abbreviation of part name and description

1. Resistor

Example:

ERD25TJ104 C 100KOHM, J, 1/4W

TYPE ALLOWANCE

TYPE	ALLOWANCE
C : Carbon	F : $\pm 1\%$
F : Fuse	G : $\pm 2\%$
M : Metal Oxide	J : $\pm 5\%$
Metal Film	K : $\pm 10\%$
S : Solid	M : $\pm 20\%$
W : Wire Wound	

2. Capacitor

Example:

ECKF1H103ZF C 0.01PF, Z, 50V

TYPE ALLOWANCE

TYPE	ALLOWANCE
C : Ceramic	C : $\pm 0.25\text{ pF}$
E : Electrolytic	D : $\pm 0.5\text{ pF}$
P : Polyester	F : $\pm 1\text{ pF}$
PP : Polypropylene	J : $\pm 5\%$
S : Polystyrol	K : $\pm 10\%$
T : Tantalum	L : $\pm 15\%$
	M : $\pm 20\%$
	P : $+100\%, -0\%$
	Z : $+80\%, -20\%$

Notes:

Printed circuit board assembly with mark (RTL) is no longer available after production discontinuation of the complete set.

Ref. No.	Part No.	Part Name & Description	Remarks
[MECHANICAL PARTS]			
	J0KG00000036	CORE	\triangle
1	K1HA15DA0002	VGA CABLE	
2-1	K2CG3DR00006	POWER CORD	\triangle LB50NTU, LB50U, LB50SU
2-2	K2CM3DR00002	POWER CORD (EUROPE)	\triangle LB50NTE/EA, LB50E/EA, LB50SE/EA
2-3	K2CT3DR00005	POWER CORD (UK)	\triangle LB50NTEA, LB50EA, LB50SEA
3	L0AA04C00010	SPEAKER	
4	L5BDAYY00001	LIQUID CRYSTAL DISPLAY (B)	LB50NTU/E/EA, LB50U/E/EA
5	L5BDAYY00003	LIQUID CRYSTAL DISPLAY (R)	LB50NTU/E/EA, LB50U/E/EA
6	L5BDAYY00004	LIQUID CRYSTAL DISPLAY (G)	LB50NTU/E/EA, LB50U/E/EA
5	L5BDAXN00079	LIQUID CRYSTAL DISPLAY (R)	LB50SU/E/EA
4	L5BDAXN00081	LIQUID CRYSTAL DISPLAY (B)	LB50SU/E/EA
6	L5BDAXN00083	LIQUID CRYSTAL DISPLAY (G)	LB50SU/E/EA
7	L6FAYYYH0009	POWER FAN	\triangle
8	L6FAYYYH0010	LAMP FAN	\triangle
9	L6FCYYYH0006	PBS FAN	\triangle
10	L6FCYYYH0007	SIROCCO FAN (GR)	\triangle
11	L6FCYYYH0008	SIROCCO FAN (B)	\triangle
12	N2QAYA000001	REMOTE CONTROLLER	LB50NTU/E/EA
	N2QAYA000002	REMOTE CONTROLLER	LB50U/E/EA, LB50SU/E/EA
13	N5HZZ0000042	LAN MODULE	\triangle LB50NTU/E/EA
14	TBLB0058	ADJUST LEG (L)	
15	TBLB0059	ADJUST LEG (R)	
16	TBLG3076	RUBBER LEG	
17	TBMA190	PANASONIC BADGE	
18	TBMA191	LOGO BADGE (WIRELESS)	LB50NTU/E/EA
	TBMA192	LOGO BADGE (XGA)	LB50U/E/EA
	TBMA193	LOGO BADGE (SVGA)	LB50SU/E/EA

Ref. No.	Part No.	Part Name & Description	Remarks
	TBMG174	MODEL NAME PLATE	LB50NTU
	TBMG175	MODEL NAME PLATE	LB50NTE
	TBMG176	MODEL NAME PLATE	LB50NTEA
	TBMG177	MODEL NAME PLATE	LB50U
	TBMG178	MODEL NAME PLATE	LB50E
	TBMG179	MODEL NAME PLATE	LB50EA
	TBMG180	MODEL NAME PLATE	LB50SU
	TBMG181	MODEL NAME PLATE	LB50SE
	TBMG182	MODEL NAME PLATE	LB50SEA
	TBMG183	MODEL NO. LABEL	LB50NTU
	TBMG184	MODEL NO. LABEL	LB50NTE
	TBMG185	MODEL NO. LABEL	LB50NTEA
	TBMG186	MODEL NO. LABEL	LB50U
	TBMG187	MODEL NO. LABEL	LB50E
	TBMG188	MODEL NO. LABEL	LB50EA
	TBMG189	MODEL NO. LABEL	LB50SU
	TBMG190	MODEL NO. LABEL	LB50SE
	TBMG191	MODEL NO. LABEL	LB50SEA
19	TBXA48901	CONTROL BUTTON A	
20	TBXA49001	CONTROL BUTTON B	
21	TEEC5219	DUCT 1	
22	TEEC5220	DUCT 2	
23	TENC5350	LAMP HOUSE	
24	THEC084N	SCREW	
25	TKGF0129	LENS	
26	TKGP0032	POLARIZING PLATE/OUT (G)	LB50NTU/E/EA, LB50U/E/EA
	TKGP0033	POLARIZING PLATE/OUT (G)	LB50SU/E/EA
27	TKGP5288	POLARIZING PLATE/IN (R)	
28	TKGP5290	POLARIZING PLATE/IN (B)	
29	TKGP5291	POLARIZING PLATE/OUT (R)	
30	TKGP5301	POLARIZING PLATE/OUT (B)	
31	TKGP5302	PBS	
32	TKKC5242	LED PLATE	
33	TKKC5243	REMOTE RECEIVER PLATE	
34	TKNE061	FILTER	
35	TKPB01901	TERMINAL COVER	
36	TKZF5045	AC INLET PLATE	
37	TKZF5046	TERMINAL METAL	
38	TKZJ5064	VENTILATION FAN METAL	

Ref. No.	Part No.	Part Name & Description	Remarks
	TMKG389	FAN SPONGE	
	TMKG674	VENTILATION FAN SPONGE	
	TMKG702	SHEET	
	TMKG703	SHEET	
	TMKG704	SHEET	
	TMKG707	SHEET	
	TMKX100	WASHER	
39	TMKY022	INSULATION SHEET (K-PCB)	
40	TMKY023	POWER INSULATION COVER	
	TMKY024	POWER INSULATION SHEET	
42	TMKY025	VENTILATION FAN COVER	
43	TMKY026	POWER FAN COVER	
	TMKY027	LEAD WIRE COVER	
44	TMKY028	SHIELD SHEET	
45	TMKY044	TERMINAL COVER SHEET	
46	TMKY045	POWER INSULATION SHEET	
	TMKY046	LEAD WIRE COVER 2	
	TMKY047	LEAD WIRE COVER 3	
	TMKY062	LED SHIELD SHEET	
	TMKY063	S TERMINAL SHIELD SHEET	
47	TMXC020-1	TEMP FUSE METAL	
48	TMZK5023	SPEAKER BOX	
49	TMZX5068	FILTER COVER	
61	TPCB94302	CARTON	LB50NTU
	TPCB94303	CARTON	LB50NTE
	TPCB94304	CARTON	LB50NTEA
	TPCB94305	CARTON	LB50U
	TPCB94306	CARTON	LB50E
	TPCB94307	CARTON	LB50EA
	TPCB94308	CARTON	LB50SU
	TPCB94309	CARTON	LB50SE
	TPCB94310	CARTON	LB50SEA
62	TPDF1617	CUSHION 1	
	TPDF1618	CUSHION 2	
63	TPDF1619	ACCESSORY CARTON	
64	TPEH124-1	SET COVER	
65	TPEP018	CARRING CASE	
	TQB817002-1	SAFETY SHEET	LB50NTU, LB50U, LB50SU
67	TQBH7017	SHEET (PASSWORD)	
66	TQBJ0192	INSTRUCTION BOOK	△ LB50NTU, LB50U, LB50SU
	TQBJ0194	INSTRUCTION BOOK	△ LB50NTE, LB50E, LB50SE
	TQBJ0196	INSTRUCTION BOOK	△ LB50NTEA, LB50EA, LB50SEA
	TQBJ7008	HIGH GROUND SHEET	LB50NTU, LB50U, LB50SU
	TQD1712010	SHEET	
	TQDJ18004-1	GUARANTEE CARD (CANADA)	LB50NTU, LB50U, LB50SU
	TQDJ18015-9	GUARANTEE CARD (USA)	LB50NTU, LB50U, LB50SU
68	TQDJ19029	INSTALL GUIDE	LB50NTU
	TQDJ19030	INSTALL GUIDE (GERMANY/ITALY)	LB50NTE
	TQDJ19031	INSTALL GUIDE (FRANCE/SPAIN)	LB50NTE
	TQDJ19032	INSTALL GUIDE (UK/KOREA)	LB50NTE/EA
	TSXL541	FLEX CABLE (A-PCB)	△
	TSXL547	FLEX CABLE (S)	△
	TSXL548	FLEX CABLE (WL)	△ LB50NTU/E/EA
	TUCB5023	ALUMINUM SHEET 2 (A-PCB)	
	TUCB5056	ALUMINUM SHEET 1	
	TUCB5057	ALUMINUM SHEET 2	
50	TUCC6123	POWER BOX	
51	TUCX5210	EARTH PLATE	
52	TUCX5217	EARTH PLATE 2	
53	TXFEE02VKB9	SOCKET HOLDER ASSY	
54	TXFKL01VKB9	LAMP COVER ASSY	

Ref. No.	Part No.	Part Name & Description	Remarks
69	TXFQH01VKB9A	CD-ROM	△ LB50NTU/E/EA
	TXJ/B1VKB9	LEAD WIRE	△
	TXJ/K1VKB9	LEAD WIRE	△
	TXJ/L2VKB9	CONNECTOR	
	TXJ/P3VKB9	LEAD WIRE	△
	TXJ/Q3VKB9	LEAD WIRE	△
	TXJ/Z1VKB9	LEAD WIRE	△
55	TXZKG02VKB9	POLARIZING PLATE/IN(G)	
	XSB3+8FN	SCREW	
56	XTBT969FJK	SCREW	
	XTN3+6GFJ	SCREW	
	XTW3+8PFJ	SCREW	
	XYN2+F10FJ	SCREW	
	XYN2+F6FJ	SCREW	
	XYN3+F6FJ	SCREW	
	XYN3+F8FJK	SCREW	
	XYN3+J8FJ	SCREW	
	XYN4+E8FJ	SCREW	
70	XZBT6532	POLY BAG	LB50NTU, LB50U, LB50SU
57	TXFKF99QCBZ	UPPER COVER	LB50NTU
	TXFKF99QCCZ	UPPER COVER	LB50NTE
	TXFKF99QCDZ	UPPER COVER	LB50NTEA
	TXFKF99QCEZ	UPPER COVER	LB50U
	TXFKF99QCFZ	UPPER COVER	LB50E
	TXFKF99QCGZ	UPPER COVER	LB50EA
	TXFKF99QCHZ	UPPER COVER	LB50SU
	TXFKF99QCJZ	UPPER COVER	LB50SE
	TXFKF99QCKZ	UPPER COVER	LB50SEA
58	TXFKF98QCBZ	BOTTOM COVER	LB50NTU
	TXFKF98QCCZ	BOTTOM COVER	LB50NTE
	TXFKF98QCDZ	BOTTOM COVER	LB50NTEA
	TXFKF98QCEZ	BOTTOM COVER	LB50U
	TXFKF98QCFZ	BOTTOM COVER	LB50E
	TXFKF98QCGZ	BOTTOM COVER	LB50EA
	TXFKF98QCHZ	BOTTOM COVER	LB50SU
	TXFKF98QCJZ	BOTTOM COVER	LB50SE
	TXFKF98QCKZ	BOTTOM COVER	LB50SEA
60	TXFEC98VKB9	ANALYSIS BLOCK	
59	TXFEC99VKB9	OPTICAL BLOCK	LB50NTU/E/EA, LB50U/E/EA
	TXFEC99QCHZA	OPTICAL BLOCK A	LB50SU/E/EA
	TXFEC99QCHZB	OPTICAL BLOCK B	LB50SU/E/EA
		[INTEGRATED CIRCUIT]	
	IC1001	C1AB00002456	I.C
	IC1002	C3EBCC000052	I.C
	IC1005	C1AB00002421	I.C
	IC1006	C3ABPJ000071	I.C
	IC1007	C0JBAR000370	I.C
	IC1010	C2DBYH000024	I.C
	IC1011	TVRN741	I.C
		TVRN742	I.C
	IC1016	C0EBY0000022	I.C
	IC1017	C3EBJC000055	I.C
	IC1018	C1GB00000102	I.C
	IC1019	C0CBCAC00096	I.C
	IC1020	C0JBAZ001876	I.C
	IC1021	C0FBBD000213	I.C
	IC1023	C0JBAZ001992	I.C
	IC1024	C3EBCC000052	I.C
	IC1025	C0JBAZ002743	I.C
	IC1026	C1AB00002548	I.C
	IC1027	C0DBZYY00225	I.C
	IC1028	C0CBCAD00039	I.C
	IC1029	C0CBCYG00004	I.C
	IC1030	C0CBCYG00004	I.C
	IC1031	C0DBEKG00004	I.C
	IC1032	C0CBCYG00004	I.C
	IC1040	C0ZBZ0001385	I.C
			LB50NTU/E/EA, LB50U/E/EA

Ref. No.	Part No.	Part Name & Description	Remarks
IC1040	COZBZ0001247	I.C	LB50SU/E/EA
IC1041	COBZHD00013	I.C	
IC1042	COBZGF00002	I.C	
IC1043	COCBCAD00015	I.C	
IC1050	CODBEKG00004	I.C	
IC1051	C1AB00002033	I.C	
IC1052	C1AB00002033	I.C	
IC1053	C1AB00002033	I.C	
IC1054	CODBEMC00020	I.C	
IC1060	COABZA000055	I.C	
IC1070	COZBZ0001361	I.C	
IC1072	COCBADC00075	I.C	
IC1083	COJBAZ002431	I.C	
IC1085	COCBAHC00010	I.C	
IC1086	COJBAR000367	I.C	
IC1087	C1AB00002428	I.C	
IC1200	C1AB00001945	I.C	
IC1802	TVRN743	I.C	LB50NTU/E/EA
IC1803	C2GBC0000205	I.C	LB50NTU/E/EA
IC1804	CODBEFG00003	I.C	LB50NTU/E/EA
IC1805	C0FBK000051	I.C	LB50NTU/E/EA
IC1806	COJBAZ002347	I.C	LB50NTU/E/EA
IC1807	COJBAF000540	I.C	LB50NTU/E/EA
IC1808	C3ABQG000083	I.C	LB50NTU/E/EA
IC1809	C3ABQG000083	I.C	LB50NTU/E/EA
IC9602	COZBZ0000943	I.C	
IC9603	COZBZ0000943	I.C	
[TRANSISTOR]			
Q1006	B1ABDF000018	TRANSISTOR	
Q1008	B1ABDF000018	TRANSISTOR	
Q1009	B1ABDF000018	TRANSISTOR	
Q1012	B1ABDF000018	TRANSISTOR	
Q1015	B1GBCFLM0003	TRANSISTOR	
Q1016	B1CHQD000001	TRANSISTOR	
Q1018	B1DFED000017	TRANSISTOR	
Q1019	B1GBCFLM0003	TRANSISTOR	
Q1021	B1GBCFLM0039	TRANSISTOR	
Q1022	B1CHQD000001	TRANSISTOR	
Q1040	B1ABDF000018	TRANSISTOR	
Q1041	B1ABDF000018	TRANSISTOR	
Q1042	B1ABDF000018	TRANSISTOR	
Q1044	B1GBCFJJ0007	TRANSISTOR	
Q1045	B1ADCE000013	TRANSISTOR	
Q1046	B1ABDF000018	TRANSISTOR	
Q1047	B1ABDF000018	TRANSISTOR	
Q1048	B1ABDF000018	TRANSISTOR	
Q1052	B1ADCE000013	TRANSISTOR	
Q1053	B1ABDF000018	TRANSISTOR	
Q1055	B1ADCE000013	TRANSISTOR	
Q1056	B1GBCFLM0003	TRANSISTOR	
Q1057	B1GBCFLM0003	TRANSISTOR	
Q1058	B1GBCFLM0003	TRANSISTOR	
Q1059	B1ABDF000018	TRANSISTOR	
Q2001	B1GFCFJJ0009	TRANSISTOR	
Q2002	B1GBCFJJ0007	TRANSISTOR	
Q2004	B1GDCFJJ0008	TRANSISTOR	
Q2005	B1GDCFJJ0008	TRANSISTOR	
Q9604	2SB0710AWL	TRANSISTOR	
Q9605	2SB0710AWL	TRANSISTOR	
Q9606	B1DEGM000022	TRANSISTOR	
Q9607	B1DEGM000022	TRANSISTOR	
Q9608	2SB0710AWL	TRANSISTOR	
Q9609	2SB0710AWL	TRANSISTOR	
Q9610	B1DEGM000022	TRANSISTOR	
Q9611	B1DEGM000022	TRANSISTOR	
Q9614	B1CERQ000032	TRANSISTOR	
[DIODES]			
D1001	MA8056M	DIODE	
D1006	MA8056M	DIODE	

Ref. No.	Part No.	Part Name & Description	Remarks
D1007	MA8056M	DIODE	
D1008	MA8056M	DIODE	
D1009	MA8056M	DIODE	
D1010	MA8056M	DIODE	
D1011	MA8056M	DIODE	
D1012	MA8056M	DIODE	
D1017	MA8056M	DIODE	
D1018	MA8056M	DIODE	
D1021	MA2S11100L	DIODE	
D1022	B0JCPD000026	DIODE	
D1023	B0JCPD000026	DIODE	
D1028	MA2S11100L	DIODE	
D1030	B0BC01000033	DIODE	
D1801	LNJ308G8TRA	LED	
D1802	LNJ308G8TRA	LED	
D1803	LNJ208R8ARA	LED	
D2001	B3AAB0000038	DIODE (TEMP LED)	
D2002	B3AAB0000038	DIODE (LAMP LED)	
D2003	B3ABB0000035	DIODE (SYNC LED)	
D2004	B3AGB0000033	DIODE (POWER LED)	
D2005	B3AGB0000033	DIODE (POWER LED)	
D2008	MA157A	DIODE	
D5002	B0HCMM000013	DIODE	
D9101	ERZV10D471	VARIATOR	△
D9601	B0FALR000001	DIODE	
D9604	MA158TX	DIODE	
D9605	B0JCPF000001	DIODE	
D9606	MA158TX	DIODE	
D9607	B0JCPF000001	DIODE	
D9608	MA158TX	DIODE	
D9609	B0JCPF000001	DIODE	
D9611	MA158TX	DIODE	
D9612	B0JCPF000001	DIODE	
D9616	B0ECHP000003	DIODE	
D9617	B0JCPF000001	DIODE	
D9618	B0JCPF000001	DIODE	
D9619	B0JCPF000001	DIODE	
D9620	B0JCPF000001	DIODE	
D9621	B0JCPF000001	DIODE	
D9622	B0ECHP000003	DIODE	
D9623	B0ECHP000003	DIODE	
D9624	MA2Z72000L	DIODE	
D9625	MA2Z72000L	DIODE	
D9626	B0JCPF000001	DIODE	
D9627	B0JCPF000001	DIODE	
D9628	B0JCPF000001	DIODE	
D9629	B0ECHP000003	DIODE	
[COILS]			
L1001	J0JCC0000168	FILTER	
L1002	J0JCC0000168	FILTER	
L1003	J0JCC0000168	FILTER	
L1004	J0JCC0000168	FILTER	
L1009	J0JCC0000168	FILTER	
L1010	J0JJC0000022	EMI FILTER	
L1014	J0JCC0000168	FILTER	
L1015	J0JJC0000022	EMI FILTER	
L1016	J0JCC0000168	EMI FILTER	
L1017	J0JJC0000022	EMI FILTER	
L1018	J0JJC0000022	EMI FILTER	
L1028	J0JJC0000022	EMI FILTER	LB50NTU/E/EA
L1030	J0JJC0000022	EMI FILTER	
L1031	J0JJC0000022	EMI FILTER	
L1032	J0JJC0000022	EMI FILTER	
L1033	ELJFA470JFB	COIL	
L1034	J0JJC0000022	EMI FILTER	
L1035	J0JCC0000168	EMI FILTER	
L1036	ELJFA6R8JFB	COIL	
L1037	ELJFA470JFB	COIL	
L1038	J0JJC0000022	EMI FILTER	
L1039	J0JJC0000022	EMI FILTER	
L1040	J0JJC0000022	EMI FILTER	

Ref. No.	Part No.	Part Name & Description	Remarks
L1042	J0JJC0000022	EMI FILTER	
L1043	J0JJC0000022	EMI FILTER	
L1044	J0JJC0000022	EMI FILTER	
L1045	J0JJC0000022	EMI FILTER	
L1046	J0JJC0000022	EMI FILTER	
L1048	J0JJC0000022	EMI FILTER	
L1049	J0JJC0000022	EMI FILTER	
L1050	J0JJC0000022	EMI FILTER	
L1066	J0JCC0000168	EMI FILTER	
L1067	J0JCC0000168	EMI FILTER	
L1068	J0JCC0000168	EMI FILTER	
L1069	J0JCC0000168	EMI FILTER	
L1070	J0JCC0000168	EMI FILTER	
L1071	J0JCC0000168	EMI FILTER	
L1072	J0JCC0000168	EMI FILTER	
L1073	J0JCC0000168	EMI FILTER	
L1074	J0JCC0000168	EMI FILTER	
L1075	J0JCC0000168	EMI FILTER	
L1076	J0JJC0000022	EMI FILTER	
L1077	J0JJC0000022	EMI FILTER	
L1656	J0JJC0000022	EMI FILTER	
L1801	J0JHC0000107	CORE	LB50NTU/E/EA
L1802	J0JHC0000107	CORE	LB50NTU/E/EA
L1803	J0JHC0000107	CORE	LB50NTU/E/EA
L1804	J0JHC0000107	CORE	LB50NTU/E/EA
L1805	J0JHC0000107	CORE	LB50NTU/E/EA
L1806	J0JHC0000107	CORE	LB50NTU/E/EA
L1807	J0JHC0000107	CORE	LB50NTU/E/EA
L4001	J0JCC0000168	EMI FILTER	
L4002	J0JCC0000168	EMI FILTER	
L4003	J0JCC0000168	EMI FILTER	
L4004	J0JCC0000168	EMI FILTER	
LF9101	G0B173H00001	COIL	△
FL1001	J0HABB000014	FILTER	
FL1002	J0HABB000014	FILTER	
FL1003	EXB38V101J	RESISTOR ARRAY	LB50NTU/E/EA
FL1004	EXB38V101J	RESISTOR ARRAY	LB50NTU/E/EA
FL1005	EXB38V101J	RESISTOR ARRAY	LB50NTU/E/EA
FL1006	EXB38V101J	RESISTOR ARRAY	LB50NTU/E/EA
FL1007	EXB38V101J	RESISTOR ARRAY	LB50NTU/E/EA
FL1008	EXB38V101J	RESISTOR ARRAY	LB50NTU/E/EA
FL1801	J0JAD0000012	CORE	LB50NTU/E/EA
FL1802	J0JAD0000012	CORE	LB50NTU/E/EA
FL1803	J0JAD0000012	CORE	LB50NTU/E/EA
FL1804	J0JAD0000012	CORE	LB50NTU/E/EA
FL1805	J0JAD0000012	CORE	LB50NTU/E/EA
FL1806	J0JAD0000012	CORE	LB50NTU/E/EA
FL1807	J0JAD0000012	CORE	LB50NTU/E/EA
		[RESISTORS]	
R1001	ERJ3GEYJ331	M 330 OHM, J, 1/16W	
R1002	ERJ3GEYJ222	M 2.2KOHM, J, 1/16W	
R1004	EXB28V473JX	RESISTOR	
R1005	ERJ3GEYJ1R5V	RESISTOR	
R1008	ERJ2GEOR00X	M 0 OHM, 0.063W	LB50NTU/E/EA
R1009	ERJ2GEOR00X	M 0 OHM, 0.063W	LB50NTU/E/EA
R1016	ERJ6GEYJ472	M 4.7KOHM, J, 1/10W	
R1017	ERJ6GEYJ472	M 4.7KOHM, J, 1/10W	
R1019	ERJ3GEYJ203V	RESISTOR	
R1021	ERJ3GEYJ101	M 100 OHM, J, 1/16W	
R1022	ERJ3GEYJ101	M 100 OHM, J, 1/16W	
R1024	ERJ3GEYJ472	M 4.7KOHM, J, 1/16W	
R1025	ERJ3GEYJ331	M 330 OHM, J, 1/16W	
R1027	ERJ6ENF75R0	M 75 OHM, 1/10W	
R1029	ERJ6ENF75R0	M 75 OHM, 1/10W	
R1030	ERJ6ENF75R0	M 75 OHM, 1/10W	
R1039	ERJ2GEJ100	M 10 OHM, 0.063W	
R1041	ERJ6GEYJ750	M 75 OHM, J, 1/10W	
R1042	ERJ3GEYJ560	M 56 OHM, J, 1/16W	
R1043	ERJ3GEYJ560	M 56 OHM, J, 1/16W	
R1044	ERJ3GEYJ560	M 56 OHM, J, 1/16W	
R1045	ERJ3GEYJ331	M 330 OHM, J, 1/16W	

Ref. No.	Part No.	Part Name & Description	Remarks
R1047	ERJ3GEYJ472	M 4.7KOHM, J, 1/16W	
R1048	ERJ3GEYJ562	M 5.6KOHM, J, 1/16W	
R1051	ERJ3GEYJ473	M 47K OHM, J, 1/16W	
R1052	ERJ3GEYJ560	M 56 OHM, J, 1/16W	
R1053	ERJ6ENF75R0	M 75 OHM, 1/10W	
R1054	ERJ6ENF75R0	M 75 OHM, 1/10W	
R1055	ERJ6ENF75R0	M 75 OHM, 1/10W	
R1056	ERJ3GEYJ102	M 1K OHM, J, 1/16W	
R1057	ERJ6GEYJ750	M 75 OHM, J, 1/10W	
R1058	ERJ3GEYJ104	M 100KOHM, J, 1/16W	
R1059	ERJ3GEYJ471	M 470 OHM, J, 1/16W	
R1060	ERJ3GEYJ330	M 33 OHM, J, 1/16W	
R1061	ERJ3GEYJ330	M 33 OHM, J, 1/16W	
R1064	ERJ3GEYJ472	M 4.7KOHM, J, 1/16W	
R1065	ERJ3GEYJ562	M 5.6KOHM, J, 1/16W	
R1071	ERJ6GEYJ750	M 75 OHM, J, 1/10W	
R1072	ERJ3GEYJ560	M 56 OHM, J, 1/16W	
R1073	ERJ3GEYJ471	M 470 OHM, J, 1/16W	
R1078	ERJ3GEYJ103	M 10K OHM, J, 1/16W	
R1079	ERJ3GEYJ103	M 10K OHM, J, 1/16W	
R1081	ERJ3GEYJ560	M 56 OHM, J, 1/16W	
R1082	ERJ3GEYJ822V	RESISTOR	
R1085	ERJ3GEYJ122	M 1.2KOHM, J, 1/16W	
R1088	ERJ3GEYJ471	M 470 OHM, J, 1/16W	
R1094	ERJ3GEYJ101	M 100 OHM, J, 1/16W	
R1095	ERJ3GEYJ101	M 100 OHM, J, 1/16W	
R1099	ERJ3GEYJ223	M 22K OHM, J, 1/16W	
R1101	ERJ3GEYJ101	M 100 OHM, J, 1/16W	
R1102	ERJ3GEYJ103	M 10K OHM, J, 1/16W	
R1103	ERJ3GEYJ563	M 56KOHM, J, 1/16W	
R1104	ERJ3GEYJ223	M 22K OHM, J, 1/16W	
R1105	ERJ3GEYJ154	M 150 OHM, J, 1/16W	
R1106	ERJ3GEYJ393V	RESISTOR	
R1107	ERJ3GEYR000	M 0 OHM, 1/16W	
R1108	ERJ3GEYJ102	M 1K OHM, J, 1/16W	
R1109	ERJ3GEYJ124	M 120KOHM, J, 1/16W	
R1110	ERJ3GEYJ154	M 150 OHM, J, 1/16W	
R1111	ERJ3GEYJ102	M 1K OHM, J, 1/16W	
R1112	ERJ1TYJ221	M 220 OHM, 1W	
R1113	ERJ3GEYJ103	M 10K OHM, J, 1/16W	
R1115	ERJ2GEJ220	M 22 OHM, 0.063W	
R1117	ERJ2GEJ220	M 22 OHM, 0.063W	
R1118	ERJ3GEYJ223	M 22K OHM, J, 1/16W	
R1119	ERJ3GEYJ102	M 1K OHM, J, 1/16W	
R1120	ERJ3GEYJ102	M 1K OHM, J, 1/16W	
R1121	ERJ3GEYJ180	METAL OXIDE RESISTOR	
R1122	ERJ3GEYJ101	M 100 OHM, J, 1/16W	
R1123	ERJ3GEYJ180	METAL OXIDE RESISTOR	
R1124	ERJ3GEYJ563	M 56KOHM, J, 1/16W	
R1125	ERJ3GEYJ102	M 1K OHM, J, 1/16W	
R1126	ERJ3GEYJ183	M 18K OHM, J, 1/16W	
R1127	ERJ3GEYJ103	M 10K OHM, J, 1/16W	
R1128	ERJ3GEYJ180	METAL OXIDE RESISTOR	
R1129	ERJ3GEYJ103	M 10K OHM, J, 1/16W	
R1130	ERJ3GEYJ183	M 18K OHM, J, 1/16W	
R1131	ERJ3GEYJ563	M 56KOHM, J, 1/16W	
R1132	ERJ3GEYJ102	M 1K OHM, J, 1/16W	
R1133	ERJ2GEJ220	M 22 OHM, 0.063W	
R1134	ERJ2GEJ220	M 22 OHM, 0.063W	
R1137	ERJ2GEJ220	M 22 OHM, 0.063W	
R1138	ERJ3GEYJ103	M 10K OHM, J, 1/16W	
R1140	ERJ3GEYJ153	M 15K OHM, J, 1/16W	
R1141	ERJ3GEYJ153	M 15K OHM, J, 1/16W	
R1142	ERJ3EKF2001V	RESISTOR	
R1143	ERJ3EKF2801	RESISTOR	
R1144	ERJ2GEJ562	M 5.6KOHM, 0.063W	
R1145	ERJ3GEYJ101	M 100 OHM, J, 1/16W	
R1146	ERJ3GEYJ331	M 330 OHM, J, 1/16W	
R1147	ERJ3GEYJ180	METAL OXIDE RESISTOR	
R1148	ERJ3GEYJ101	M 100 OHM, J, 1/16W	
R1151	ERJ2GEJ220	M 22 OHM, 0.063W	
R1152	ERJ2GEJ220	M 22 OHM, 0.063W	
R1154	ERJ3EKF1001	M 1K OHM, 0.063W	

Ref. No.	Part No.	Part Name & Description	Remarks
R1155	ERJ3GEYJ180	METAL OXIDE RESISTOR	
R1156	ERJ3GEYJ180	METAL OXIDE RESISTOR	
R1164	ERJ3EKF1371	M 1.37KOHM, 0.063W	
R1167	ERJ3EKF2001V	RESISTOR	
R1168	ERJ3GEYJ560	M 56 OHM, J, 1/16W	
R1169	ERJ2GEJ220	M 22 OHM, 0.063W	
R1170	ERJ3EKF3001	RESISTOR	
R1171	ERJ2GEJ562	M 5.6KOHM, 0.063W	
R1173	ERJ3EKF1691	M1.69KOHM, 1/16W	
R1174	ERJ2GE0R00X	M 0 OHM, 0.063W	
R1177	ERJ2GEJ220	M 22 OHM, 0.063W	
R1178	ERJ2GEJ560	M 56 OHM, 0.063W	
R1179	ERJ2GEJ220	M 22 OHM, 0.063W	
R1180	ERJ3GEYJ560	M 56 OHM, J, 1/16W	
R1183	ERJ3EKF1101	M 1.1KOHM, 1/16W	
R1184	ERJ2GEJ220	M 22 OHM, 0.063W	
R1188	ERJ3GEYJ220	M 22 OHM, J, 1/16W	
R1192	ERJ2GEJ330X	RESISTOR	
R1193	EXB28V560J	RESISTOR ARRAY	
R1194	EXB2HV560JV	RESISTOR	
R1195	ERJ3GEYJ560	M 56 OHM, J, 1/16W	
R1197	ERJ2GEJ562	M 5.6KOHM, 0.063W	
R1198	ERJ3GEYJ330	M 33 OHM, J, 1/16W	
R1199	ERJ6ENF2001	M 2KOHM, 1/10W	
R1200	ERJ3GEYJ330	M 33 OHM, J, 1/16W	
R1203	ERJ3EKF3001	RESISTOR	
R1204	ERJ3EKF1201	RESISTOR	
R1206	ERJ3GEYJ560	M 56 OHM, J, 1/16W	
R1210	ERJ2GEJ562	M 5.6KOHM, 0.063W	
R1211	ERJ2GEJ472	M 4.7KOHM, 0.063W	
R1212	EXB2HV560JV	RESISTOR	
R1213	EXB28V560J	RESISTOR ARRAY	
R1214	ERJ2GEJ220	M 22 OHM, 0.063W	
R1218	ERJ2GEJ472	M 4.7KOHM, 0.063W	
R1219	ERJ2GEJ472	M 4.7KOHM, 0.063W	
R1221	ERJ3GEYJ560	M 56 OHM, J, 1/16W	
R1222	ERJ6ENF1002	M 10KOHM, 1/10W	
R1223	ERJ2GEJ562	M 5.6KOHM, 0.063W	
R1224	ERJ3EKF1003	RESISTOR	
R1225	ERJ3EKF3602	RESISTOR	
R1266	EXB28V560J	RESISTOR ARRAY	
R1272	ERJ2GEJ681	M 680 OHM, 0.063W	
R1285	ERJ2GEJ203	RESISTOR	
R1286	ERJ2GEJ750	M 75 OHM, 0.063W	
R1290	ERJ3GEYJ301	M 300 OHM, J, 1/16W	
R1291	ERJ3GEYJ220	M 22 OHM, J, 1/16W	
R1295	ERJ6ENF8201	M 8.2KOHM, 1/10W	
R1299	ERJ3GEYJ220	M 22 OHM, J, 1/16W	
R1300	ERJ2GEJ472	M 4.7KOHM, 0.063W	
R1301	ERJ2GEJ472	M 4.7KOHM, 0.063W	
R1304	ERJ2GEJ103	M 10K OHM, 0.063W	
R1305	ERJ3EKF1473	M 147KOHM, 0.063W	
R1306	ERJ3EKF1002	M 10KOHM, 1/16W	
R1308	ERJ6ENF1004	M1000KOHM, 1/10W	
R1309	ERJ2GEJ103	M 10K OHM, 0.063W	
R1310	ERJ3EKF3301	M 3.3KOHM, 0.063W	
R1311	ERJ3EKF6801	M 6.8KOHM, 1/16W	
R1312	ERJ3EKF3301	M 3.3KOHM, 0.063W	
R1313	ERJ3EKF6801	M 6.8KOHM, 1/16W	
R1314	ERJ3EKF3301	M 3.3KOHM, 0.063W	
R1315	ERJ3EKF6801	M 6.8KOHM, 1/16W	
R1322	ERJ3GEYJ220	M 22 OHM, J, 1/16W	
R1323	ERJ3GEYJ220	M 22 OHM, J, 1/16W	
R1324	ERJ3GEYJ220	M 22 OHM, J, 1/16W	
R1328	EXB2HV103JV	RESISTOR	
R1331	ERJ2GEJ105	M 1M OHM, 0.063W	
R1333	EXB28V103J	RESISTOR ARRAY	
R1339	ERJ2GEJ103	M 10K OHM, 0.063W	
R1340	ERJ2GEJ101X	M 100 OHM, 0.063W	
R1346	ERJ2GEJ103	M 10K OHM, 0.063W	
R1355	ERJ2GEJ562	M 5.6KOHM, 0.063W	
R1356	ERJ2GEJ103	M 10K OHM, 0.063W	
R1357	ERJ6GEYJ100	M 10 OHM, J, 1/10W	

Ref. No.	Part No.	Part Name & Description	Remarks
R1358	ERJ2GEJ562	M 5.6KOHM, 0.063W	
R1360	ERJ6GEYJ100	M 10 OHM, J, 1/10W	
R1362	ERJ6GEYJ560	M 56 OHM, J, 1/10W	
R1365	ERJ6ENF6801	M 6.8KOHM, 1/10W	
R1367	ERJ3GEYJ102	M 1K OHM, J, 1/16W	
R1368	ERJ6ENF2202	M 2.2KOHM, 1/10W	
R1369	ERJ3GEYJ102	M 1K OHM, J, 1/16W	
R1370	ERJ6ENF6801	M 6.8KOHM, 1/10W	
R1372	ERJ3GEYJ102	M 1K OHM, J, 1/16W	
R1390	ERJ2GEJ101X	M 100 OHM, 0.063W	
R1391	ERJ2GEJ101X	M 100 OHM, 0.063W	
R1392	ERJ2GEJ101X	M 100 OHM, 0.063W	
R1394	EXB2HV220JV	RESISTOR	
R1401	EXB28V220J	RESISTOR ARRAY	
R1402	ERJ2GEJ101X	M 100 OHM, 0.063W	
R1403	ERJ2GEJ101X	M 100 OHM, 0.063W	
R1404	ERJ2GEJ101X	M 100 OHM, 0.063W	
R1405	ERJ2GEJ101X	M 100 OHM, 0.063W	
R1407	ERJ2GEJ562	M 5.6KOHM, 0.063W	
R1408	ERJ2GEJ331	M 330 OHM, 0.063W	
R1409	ERJ2GEJ220	M 22 OHM, 0.063W	
R1410	ERJ2GEJ331	M 330 OHM, 0.063W	
R1411	ERJ6GEYJ122	M 1.2KOHM, J, 1/10W	
R1412	ERJ3EKF1002	M 10KOHM, 1/16W	
R1413	ERJ3EKF1002	M 10KOHM, 1/16W	
R1419	ERJ2GEJ473	M 47K OHM, 0.063W	
R1420	ERJ2GEJ473	M 47K OHM, 0.063W	
R1421	ERJ2GEJ473	M 47K OHM, 0.063W	
R1426	ERJ2GEJ220	M 22 OHM, 0.063W	
R1430	ERJ1TYJ221	M 220 OHM, 1W	
R1431	ERJ1TYJ221	M 220 OHM, 1W	
R1441	ERJ2GEJ104	M 100KOHM, 0.063W	
R1442	ERJ2GEJ104	M 100KOHM, 0.063W	
R1443	ERJ3GEYJ220	M 22 OHM, J, 1/16W	
R1444	ERJ3GEY0R00	M 0 OHM, 1/16W	
R1445	ERJ3GEY0R00	M 0 OHM, 1/16W	
R1446	ERJ3GEYJ220	M 22 OHM, J, 1/16W	LB50NTU/E/EA
R1447	ERJ2GEJ560	M 56 OHM, 0.063W	
R1451	ERJ3GEYJ222	M 2.2KOHM, J, 1/16W	
R1453	ERJ3GEYJ222	M 2.2KOHM, J, 1/16W	
R1454	ERJ3GEYJ274	M 270 OHM, J, 1/16W	
R1455	ERJ3GEYJ473	M 47K OHM, J, 1/16W	
R1471	ERJ3GEYJ101	M 100 OHM, J, 1/16W	
R1472	ERJ3GEYJ101	M 100 OHM, J, 1/16W	
R1516	ERJ3GEYJ103	M 10K OHM, J, 1/16W	
R1519	ERJ3GEYJ103	M 10K OHM, J, 1/16W	
R1520	ERJ3GEYJ473	M 47K OHM, J, 1/16W	
R1521	ERJ6GEYJ472	M 4.7KOHM, J, 1/10W	
R1522	ERJ6GEYJ472	M 4.7KOHM, J, 1/10W	
R1523	ERJ3GEYJ472	M 4.7KOHM, J, 1/16W	
R1524	ERJ3GEYJ331	M 330 OHM, J, 1/16W	
R1525	ERJ3GEYJ331	M 330 OHM, J, 1/16W	
R1526	ERJ3GEYJ331	M 330 OHM, J, 1/16W	
R1527	ERJ3GEYJ222	M 2.2KOHM, J, 1/16W	
R1528	ERJ2GEJ681	M 680 OHM, 0.063W	
R1530	ERJ3GEYJ333	M 33K OHM, J, 1/16W	
R1531	ERJ3GEYJ472	M 4.7KOHM, J, 1/16W	
R1532	ERJ3GEYJ333	M 33K OHM, J, 1/16W	
R1533	ERJ3GEYJ472	M 4.7KOHM, J, 1/16W	
R1534	ERJ3GEYJ333	M 33K OHM, J, 1/16W	
R1535	ERJ3GEYJ472	M 4.7KOHM, J, 1/16W	
R1537	ERJ3GEYJ103	M 10K OHM, J, 1/16W	
R1539	ERJ3GEYJ473	M 47K OHM, J, 1/16W	
R1542	ERJ3GEYJ124	M 120KOHM, J, 1/16W	
R1543	ERJ3GEYJ154	M 150 OHM, J, 1/16W	
R1548	ERJ3GEYJ563	M 56KOHM, J, 1/16W	
R1549	ERJ3GEYJ154	M 150 OHM, J, 1/16W	
R1569	EXB2HV220JV	RESISTOR	
R1570	EXB2HV220JV	RESISTOR	
R1571	EXB2HV220JV	RESISTOR	
R1574	EXB2HV220JV	RESISTOR	
R1575	EXB2HV220JV	RESISTOR	
R1578	ERJ2GEJ560	M 56 OHM, 0.063W	

Ref. No.	Part No.	Part Name & Description	Remarks
R1579	ERJ2GEJ681	M 680 OHM, 0.063W	
R1581	ERJ2GEJ331	M 330 OHM, 0.063W	
R1582	ERJ2GEJ331	M 330 OHM, 0.063W	
R1583	ERJ2GEJ331	M 330 OHM, 0.063W	
R1584	ERJ2GEJ472	M 4.7KOHM, 0.063W	
R1587	ERJ2GEJ221	M 220 OHM, 0.063W	
R1591	ERJ2GEJ221	M 220 OHM, 0.063W	
R1592	ERJ2GEJ272	M 2.7KOHM, 0.063W	
R1593	ERJ2GEJ101X	M 100 OHM, 0.063W	
R1594	ERJ2GEJ103	M 10K OHM, 0.063W	
R1595	EXB2HV103JV	RESISTOR	
R1600	EXB2HV220JV	RESISTOR	
R1603	EXB28V220J	RESISTOR ARRAY	
R1605	EXB2HV220JV	RESISTOR	
R1607	ERJ2GEJ220	M 22 OHM, 0.063W	
R1608	ERJ2GEJ103	M 10K OHM, 0.063W	
R1609	ERJ2GEJ331	M 330 OHM, 0.063W	
R1610	ERJ2GEJ220	M 22 OHM, 0.063W	
R1611	ERJ2GEJ220	M 22 OHM, 0.063W	
R1612	ERJ2GEJ220	M 22 OHM, 0.063W	
R1613	ERJ2GEJ102	M 1K OHM, 0.063W	
R1614	ERJ2GEJ220	M 22 OHM, 0.063W	
R1616	EXB2HV220JV	RESISTOR	
R1619	EXB2HV220JV	RESISTOR	
R1620	ERJ3GEYJ180	METAL OXIDE RESISTOR	
R1621	ERJ3GEYJ180	METAL OXIDE RESISTOR	
R1622	ERJ3GEYJ180	METAL OXIDE RESISTOR	
R1623	ERJ2GEJ220	M 22 OHM, 0.063W	
R1626	ERJ2GEJ220	M 22 OHM, 0.063W	
R1628	ERJ2GEJ681	M 680 OHM, 0.063W	
R1631	ERJ2GEOR00X	M 0 OHM, 0.063W	LB50NTU/E/EA, LB50U/E/EA
R1632	ERJ2GEOR00X	M 0 OHM, 0.063W	LB50SU/E/EA
R1633	EXB2HV560JV	RESISTOR	
R1635	EXB2HV560JV	RESISTOR	
R1637	EXB2HV560JV	RESISTOR	
R1639	EXB2HV560JV	RESISTOR	
R1640	ERJ2GEJ681	M 680 OHM, 0.063W	
R1641	ERJ2GEJ220	M 22 OHM, 0.063W	
R1642	ERJ2GEJ220	M 22 OHM, 0.063W	
R1645	ERJ2GEJ220	M 22 OHM, 0.063W	LB50NTU/E/EA
R1650	EXB28V103J	RESISTOR ARRAY	
R1652	ERJ2GEJ220	M 22 OHM, 0.063W	
R1656	ERJ2GEJ681	M 680 OHM, 0.063W	
R1657	ERJ2GEJ681	M 680 OHM, 0.063W	
R1666	ERJ2GEJ103	M 10K OHM, 0.063W	
R1667	ERJ2GEJ101X	M 100 OHM, 0.063W	
R1668	ERJ3GEYJ222	M 2.2KOHM, J, 1/16W	
R1669	ERJ3GEYJ562	M 5.6KOHM, J, 1/16W	
R1672	ERJ2GEJ103	M 10K OHM, 0.063W	
R1673	ERJ2GEJ562	M 5.6KOHM, 0.063W	
R1674	ERJ6GEYJ100	M 10 OHM, J, 1/10W	
R1675	ERJ2GEJ102	M 1K OHM, 0.063W	
R1676	ERJ6ENF2202	M 2.2KOHM, 1/10W	
R1677	ERJ2GEJ220	M 22 OHM, 0.063W	
R1678	EXB2HV220J	RESISTOR	LB50U/E/EA, LB50SU/E/EA
R1679	EXB2HV220J	RESISTOR	LB50U/E/EA, LB50SU/E/EA
R1680	EXB2HV220J	RESISTOR	LB50U/E/EA, LB50SU/E/EA
R1681	ERJ2GEJ103	M 10K OHM, 0.063W	LB50NTU/E/EA
R1682	ERJ2GEOR00X	M 0 OHM, 0.063W	LB50U/E/EA, LB50SU/E/EA
R1683	ERJ2GEOR00X	M 0 OHM, 0.063W	LB50U/E/EA, LB50SU/E/EA
R1689	ERJ2GEOR00X	M 0 OHM, 0.063W	
R1692	ERJ1TYJ221	M 220 OHM, 1W	
R1693	ERJ3GEYJ332	M 3.3KOHM, J, 1/16W	
R1694	ERJ3GEYJ332	M 3.3KOHM, J, 1/16W	
R1695	ERJ3GEYJ103	M 10K OHM, J, 1/16W	
R1696	ERJ3GEYJ153	M 15K OHM, J, 1/16W	
R1697	ERJ3GEYJ472	M 4.7KOHM, J, 1/16W	
R1698	ERJ3GEYJ820V	RESISTOR	

Ref. No.	Part No.	Part Name & Description	Remarks
R1702	ERJ2GEJ220	M 22 OHM, 0.063W	
R1703	ERJ2GEJ220	M 22 OHM, 0.063W	
R1801	ERJ3GEYJ220	M 22 OHM, J, 1/16W	LB50NTU/E/EA
R1802	ERJ3GEYJ220	M 22 OHM, J, 1/16W	LB50NTU/E/EA
R1803	ERJ3GEYJ220	M 22 OHM, J, 1/16W	LB50NTU/E/EA
R1804	ERJ3GEYJ220	M 22 OHM, J, 1/16W	LB50NTU/E/EA
R1805	ERJ3GEYJ220	M 22 OHM, J, 1/16W	LB50NTU/E/EA
R1806	ERJ3GEYJ220	M 22 OHM, J, 1/16W	LB50NTU/E/EA
R1807	ERJ3GEYJ220	M 22 OHM, J, 1/16W	LB50NTU/E/EA
R1808	ERJ3GEYJ220	M 22 OHM, J, 1/16W	LB50NTU/E/EA
R1809	ERJ3GEYOR00	M 0 OHM, 1/16W	LB50NTU/E/EA
R1813	ERJ2GEJ103	M 10K OHM, 0.063W	LB50NTU/E/EA
R1815	ERJ2GEJ103	M 10K OHM, 0.063W	LB50NTU/E/EA
R1816	ERJ2GEJ103	M 10K OHM, 0.063W	LB50NTU/E/EA
R1817	ERJ2GEJ103	M 10K OHM, 0.063W	LB50NTU/E/EA
R1818	ERJ2GEJ103	M 10K OHM, 0.063W	LB50NTU/E/EA
R1820	ERJ3GEYJ330	M 33 OHM, J, 1/16W	LB50NTU/E/EA
R1824	ERJ3GEYJ330	M 33 OHM, J, 1/16W	LB50NTU/E/EA
R1826	ERJ3GEYJ560	M 56 OHM, J, 1/16W	LB50NTU/E/EA
R1827	ERJ2GEOR00X	M 0 OHM, 0.063W	LB50NTU/E/EA
R1832	ERJ2GEJ103	M 10K OHM, 0.063W	LB50NTU/E/EA
R1833	ERJ2GEJ103	M 10K OHM, 0.063W	LB50NTU/E/EA
R1834	EXB28V103J	RESISTOR ARRAY	LB50NTU/E/EA
R1835	ERJ2GEJ680X	M 68 OHM, 0.063W	LB50NTU/E/EA
R1836	ERJ3GEYJ391V	M 390 OHM, J, 1/16W	LB50NTU/E/EA
R1837	ERJ3GEYJ391V	M 390 OHM, J, 1/16W	LB50NTU/E/EA
R1838	ERJ3GEYJ391V	M 390 OHM, J, 1/16W	LB50NTU/E/EA
R1839	ERJ2GEJ103	M 10K OHM, 0.063W	LB50NTU/E/EA
R1840	ERJ2GEJ103	M 10K OHM, 0.063W	LB50NTU/E/EA
R1843	ERJ2GEOR00X	M 0 OHM, 0.063W	LB50NTU/E/EA
R1844	ERJ2GEOR00X	M 0 OHM, 0.063W	LB50NTU/E/EA
R1845	ERJ2GEJ103	M 10K OHM, 0.063W	LB50NTU/E/EA
R1847	ERJ2GEJ103	M 10K OHM, 0.063W	LB50NTU/E/EA
R1848	ERJ2GEJ103	M 10K OHM, 0.063W	LB50NTU/E/EA
R1849	ERJ2GEOR00X	M 0 OHM, 0.063W	LB50NTU/E/EA
R1850	ERJ2GEJ103	M 10K OHM, 0.063W	LB50NTU/E/EA
R1852	ERJ2GEJ103	M 10K OHM, 0.063W	LB50NTU/E/EA
R1855	ERJ2GEJ103	M 10K OHM, 0.063W	LB50NTU/E/EA
R1856	ERJ2GEJ103	M 10K OHM, 0.063W	LB50NTU/E/EA
R1861	ERJ2GEJ103	M 10K OHM, 0.063W	LB50NTU/E/EA
R1864	ERJ2GEJ103	M 10K OHM, 0.063W	LB50NTU/E/EA
R1865	ERJ2GEJ103	M 10K OHM, 0.063W	LB50NTU/E/EA
R1866	ERJ2GEOR00X	M 0 OHM, 0.063W	LB50NTU/E/EA
R1867	ERJ2GEOR00X	M 0 OHM, 0.063W	LB50NTU/E/EA
R1868	ERJ2GEOR00X	M 0 OHM, 0.063W	LB50NTU/E/EA
R1869	ERJ2GEOR00X	M 0 OHM, 0.063W	LB50NTU/E/EA
R1871	EXB2HV100JV	RESISTOR	LB50NTU/E/EA
R1872	EXB2HV100JV	RESISTOR	LB50NTU/E/EA
R1873	EXB2HV100JV	RESISTOR	LB50NTU/E/EA
R1874	EXB2HV100JV	RESISTOR	LB50NTU/E/EA
R1875	EXB2HV220JV	RESISTOR	LB50NTU/E/EA
R1876	EXB2HV220JV	RESISTOR	LB50NTU/E/EA
R1877	EXB28V100J	RESISTOR ARRAY	LB50NTU/E/EA
R1878	EXB2HV220JV	RESISTOR	LB50NTU/E/EA
R1888	ERJ3GEYOR00	M 0 OHM, 1/16W	LB50NTU/E/EA
R1890	ERJ6ENF4020	M 402 OHM, 1/10W	LB50NTU/E/EA
R1891	ERJ6ENF1001	M 1KOHM, 1/10W	LB50NTU/E/EA
R1892	ERJ2GEJ103	M 10K OHM, 0.063W	LB50NTU/E/EA
R1893	EXB28V104J	RESISTOR ARRAY	LB50NTU/E/EA
R1894	ERJ2GEOR00X	M 0 OHM, 0.063W	LB50NTU/E/EA
R1895	ERJ2GEJ103	M 10K OHM, 0.063W	LB50NTU/E/EA
R1896	EXB28V103J	RESISTOR ARRAY	LB50NTU/E/EA
R1897	ERJ2GEJ103	M 10K OHM, 0.063W	LB50NTU/E/EA
R1898	EXB28V472J	RESISTOR ARRAY	LB50NTU/E/EA
R1900	ERJ2GEOR00X	M 0 OHM, 0.063W	LB50NTU/E/EA
R1901	EXB2HV220JV	RESISTOR	LB50NTU/E/EA
R1903	EXB28V220J	RESISTOR ARRAY	LB50NTU/E/EA
R1904	EXB28V103J	RESISTOR ARRAY	LB50NTU/E/EA
R1905	EXB28V220J	RESISTOR ARRAY	LB50NTU/E/EA
R1907	ERJ3GEYJ220	M 22 OHM, J, 1/16W	LB50NTU/E/EA
R1914	EXB28V220J	RESISTOR ARRAY	LB50NTU/E/EA
R1916	ERJ3GEYJ220	M 22 OHM, J, 1/16W	LB50NTU/E/EA
R1917	EXB28V220J	RESISTOR ARRAY	LB50NTU/E/EA

Ref. No.	Part No.	Part Name & Description	Remarks
R1918	EXB28V103J	RESISTOR ARRAY	LB50NTU/E/EA
R1919	ERJ3GEYJ473	M 47K OHM, J, 1/16W	LB50NTU/E/EA
R1920	ERJ3GEYJ473	M 47K OHM, J, 1/16W	LB50NTU/E/EA
R1921	ERJ3GEYJ220	M 22 OHM, J, 1/16W	LB50NTU/E/EA
R1922	ERJ3GEYJ220	M 22 OHM, J, 1/16W	LB50NTU/E/EA
R1923	ERJ3GEYJ680	M 68 OHM, J, 1/16W	LB50NTU/E/EA
R1932	ERJ2GE0R00X	M 0 OHM, 0.063W	LB50NTU/E/EA
R2002	ERJ3GEYJ102	M 1K OHM, J, 1/16W	
R2003	ERJ3GEYJ152	M 1.5KOHM, J, 1/16W	
R2004	ERJ3GEYJ332	M 3.3KOHM, J, 1/16W	
R2005	ERJ3GEYJ333	M 33K OHM, J, 1/16W	
R2006	ERJ3GEYJ332	M 3.3KOHM, J, 1/16W	
R2007	ERJ3GEYJ331	M 330 OHM, J, 1/16W	
R2008	ERJ3GEYJ331	M 330 OHM, J, 1/16W	
R2009	ERJ3GEYJ331	M 330 OHM, J, 1/16W	
R2010	ERJ3GEYJ121	M 120 OHM, J, 1/16W	
R2011	ERJ3GEYJ151	M 150 OHM, J, 1/16W	
R2012	ERJ3GEYJ121	M 120 OHM, J, 1/16W	
R2013	ERJ3GEYJ151	M 150 OHM, J, 1/16W	
R2014	ERJ8GEYJ751	M 750 OHM, J, 1/4W	
R2015	ERJ3GEYJ472	M 4.7KOHM, J, 1/16W	
R2016	ERJ3GEYJ470	M 47 OHM, J, 1/16W	
R2017	ERJ3GEYJ102	M 1K OHM, J, 1/16W	
R2019	ERJ3GEYJ392	M 3.9KOHM, J, 1/16W	
R2020	ERJ3GEYJ102	M 1K OHM, J, 1/16W	
R2021	ERJ3GEYJ162	RESISTOR	
R2022	ERJ3GEYJ332	M 3.3KOHM, J, 1/16W	
R2023	ERJ3GEYJ103	M 10K OHM, J, 1/16W	
R2024	ERJ8GEYJ751	M 750 OHM, J, 1/4W	
R2025	ERJ3GEY0R00	M 0 OHM, 1/16W	
R2026	ERJ3GEY0R00	M 0 OHM, 1/16W	
R4001	EXB28V124JX	RESISTOR	
R4002	EXB28V154JX	RESISTOR	
R4003	EXB28V473JX	RESISTOR	
R4005	EXB28V102J	RESISTOR ARRAY	
R4007	ERJ3GEYJ153	M 15K OHM, J, 1/16W	
R4008	ERJ3GEYJ153	M 15K OHM, J, 1/16W	
R4009	ERJ3GEYJ180	METAL OXIDE RESISTOR	
R4010	ERJ3GEYJ180	METAL OXIDE RESISTOR	
R4011	ERJ3GEYJ561	M 560 OHM, J, 1/16W	
R5001	ERJ3EKF2701	M 2.7KOHM, 1/16W	
R5002	ERJ3EKF2701	M 2.7KOHM, 1/16W	
R5003	ERJ3EKF2701	M 2.7KOHM, 1/16W	
R5004	ERJ3EKF2701	M 2.7KOHM, 1/16W	
R9101	ERDS1TJ474	C 4.7KOHM, J, 1/2W	△
R9601	ERX2SJR47E	M 0.47OHM, J, 2W	
R9630	ERJ14YJ3R3U	M 3.3 OHM, J, 1/4W	
R9631	ERJ8GEYJ220	M 68 OHM, J, 1/4W	
R9632	ERJ14YJ5R6U	M 5.6 OHM, J, 1/4W	
R9633	ERJ8GEYJ100	M 10 OHM, J, 1/4W	
R9634	ERJ8GEYJ120	M 12 OHM, J, 1/4W	
R9636	ERJ14YJ3R3U	M 3.3 OHM, J, 1/4W	
R9637	ERJ8GEYJ220	M 68 OHM, J, 1/4W	
R9638	ERJ14YJ5R6U	M 5.6 OHM, J, 1/4W	
R9639	ERJ8GEYJ100	M 10 OHM, J, 1/4W	
R9640	ERJ8GEYJ120	M 12 OHM, J, 1/4W	
R9653	DOXGR22J0004	RESISTOR	
[CAPACITORS]			
C1001	EEH0J221UP	E 330UF, 6.3V	
C1002	ECJ0EB1C103K	C 0.01UF, 16V	
C1003	EEH0J221UP	E 330UF, 6.3V	
C1004	ECJ0EB1C103K	C 0.01UF, 16V	
C1005	EEH0J221UP	E 330UF, 6.3V	
C1006	ECJ0EB1C103K	C 0.01UF, 16V	
C1007	ECJ0EF1C104Z	C 0.1UF, 16V	
C1008	ECJ1VB1H472K	C 4700PF, K, 50V	
C1009	ECJ1VF1C105Z	C 0.01UF, Z, 16V	
C1010	EEH0J330R	E 33UF, 6.3V	
C1011	ECJ0EF1C104Z	C 0.1UF, 16V	
C1012	EEH0J330R	E 33UF, 6.3V	
C1013	F2G1A4700011	CAPACITOR	

Ref. No.	Part No.	Part Name & Description	Remarks
C1014	ECJ0EF1C104Z	C 0.1UF, 16V	
C1015	ECJ0EF1C104Z	C 0.1UF, 16V	
C1016	ECJ0EB1C103K	C 0.01UF, 16V	
C1017	ECJ1VF1E104Z	C 0.1UF, Z, 25V	
C1018	ECJ0EB1C103K	C 0.01UF, 16V	
C1019	ECJ0EB1H102K	C 1000PF, 50V	
C1021	ECJ0EF1C104Z	C 0.1UF, 16V	
C1022	ECJ0EB1C103K	C 0.01UF, 16V	
C1023	ECJ1VF1E104Z	C 0.1UF, Z, 25V	
C1024	ECJ1VF1E104Z	C 0.1UF, Z, 25V	
C1027	ECJ1VF1E104Z	C 0.1UF, Z, 25V	
C1029	ECJ0EF1C104Z	C 0.1UF, 16V	
C1032	ECJ0EF1C104Z	C 0.1UF, 16V	
C1033	ECJ0EF1C104Z	C 0.1UF, 16V	
C1035	ECJ0EF1C104Z	C 0.1UF, 16V	
C1036	EEH0J330R	E 33UF, 6.3V	
C1037	ECJ0EB1C103K	C 0.01UF, 16V	
C1038	EEH0J330R	E 33UF, 6.3V	
C1039	ECJ0EB1C103K	C 0.01UF, 16V	
C1040	EEH0J330R	E 33UF, 6.3V	
C1041	ECJ0EB1C103K	C 0.01UF, 16V	
C1047	ECJ2YF1C225Z	C 2.2UF, Z, 16V	
C1048	ECJ1VB1H102K	C 1000PF, K, 50V	
C1049	ECJ2YF1C225Z	C 2.2UF, Z, 16V	
C1050	ECJ1VF1E104Z	C 0.1UF, Z, 25V	
C1051	ECJ0EF1C104Z	C 0.1UF, 16V	
C1052	ECJ0EF1C104Z	C 0.1UF, 16V	
C1053	ECJ0EF1C104Z	C 0.1UF, 16V	
C1054	ECJ0EF1C104Z	C 0.1UF, 16V	
C1058	F2G0J4700024	CAPACITOR	
C1072	F2G1C4700014	CAPACITOR	
C1075	ECJ2FF1A106Z	C 10UF, 10V	
C1076	ECJ2FF1A106Z	C 10UF, 10V	
C1077	ECJ0EF1C104Z	C 0.1UF, 16V	
C1078	ECJ0EF1C104Z	C 0.1UF, 16V	
C1079	ECJ0EB1C103K	C 0.01UF, 16V	
C1080	ECJ2FF1A106Z	C 10UF, 10V	
C1081	ECJ2FF1A106Z	C 10UF, 10V	
C1082	ECJ0EF1C104Z	C 0.1UF, 16V	
C1083	ECJ0EF1C104Z	C 0.1UF, 16V	
C1084	ECJ2FF1A106Z	C 10UF, 10V	
C1085	ECJ0EF1C104Z	C 0.1UF, 16V	
C1086	ECJ0EB1C103K	C 0.01UF, 16V	
C1087	ECJ0EF1C104Z	C 0.1UF, 16V	
C1088	ECJ0EF1C104Z	C 0.1UF, 16V	
C1089	ECJ0EF1C104Z	C 0.1UF, 16V	
C1090	ECJ0EF1C104Z	C 0.1UF, 16V	
C1091	ECJ0EF1C104Z	C 0.1UF, 16V	
C1092	ECJ0EF1C104Z	C 0.1UF, 16V	
C1093	ECJ0EB1H102K	C 1000PF, 50V	
C1094	ECJ2FF1A106Z	C 10UF, 10V	
C1095	ECJ0EF1C104Z	C 0.1UF, 16V	
C1096	ECJ0EF1C104Z	C 0.1UF, 16V	
C1097	ECJ0EF1C104Z	C 0.1UF, 16V	
C1098	ECJ0EF1C104Z	C 0.1UF, 16V	
C1100	ECJ3YF1C475Z	C 4.7UF, Z, 16V	
C1101	ECJ0EF1C104Z	C 0.1UF, 16V	
C1102	ECJ0EF1C104Z	C 0.1UF, 16V	
C1103	ECJ1VF1C105Z	C 0.01UF, Z, 16V	
C1104	F2G1C4700014	CAPACITOR	
C1105	ECJ0EB1H102K	C 1000PF, 50V	
C1106	ECJ1VF1C105Z	C 0.01UF, Z, 16V	
C1107	ECJ0EF1C104Z	C 0.1UF, 16V	
C1108	ECJ0EF1C104Z	C 0.1UF, 16V	
C1109	ECJ1VB1C823K	C 0.82UF, 16V	
C1110	ECJ0EB1C103K	C 0.01UF, 16V	
C1111	ECJ2YF1C225Z	C 2.2UF, Z, 16V	
C1112	ECJ0EF1C104Z	C 0.1UF, 16V	
C1113	ECJ0EB1C103K	C 0.01UF, 16V	
C1114	ECJ0EF1C104Z	C 0.1UF, 16V	
C1115	ECJ0EF1C104Z	C 0.1UF, 16V	
C1116	ECJ1VF1E104Z	C 0.1UF, Z, 25V	
C1117	ECJ0EF1C104Z	C 0.1UF, 16V	

Ref. No.	Part No.	Part Name & Description	Remarks
C1119	ECJ0EF1C104Z	C 0.1UF, 16V	
C1120	ECJ2FF1A106Z	C 10UF, 10V	
C1121	ECJ0EF1C104Z	C 0.1UF, 16V	
C1122	ECJ1VF1C105Z	C 0.01UF, Z, 16V	
C1123	ECJ0EF1C104Z	C 0.1UF, 16V	
C1124	ECJ1VF1C105Z	C 0.01UF, Z, 16V	
C1125	ECJ0EF1C104Z	C 0.1UF, 16V	
C1126	ECJ2FF1A106Z	C 10UF, 10V	
C1127	ECJ0EF1C104Z	C 0.1UF, 16V	
C1128	EEFCD0D101R	CAPACITOR	
C1129	ECJ1VB1H102K	C 1000PF, K, 50V	
C1130	ECJ1VB1H102K	C 1000PF, K, 50V	
C1131	ECJ1VF1C105Z	C 0.01UF, Z, 16V	
C1132	ECJ2YF1C225Z	C 2.2UF, Z, 16V	
C1133	ECJ0EF1C104Z	C 0.1UF, 16V	
C1134	ECJ1VF1E104Z	C 0.1UF, Z, 25V	
C1135	ECJ0EF1C104Z	C 0.1UF, 16V	
C1136	ECJ0EF1C104Z	C 0.1UF, 16V	
C1137	F2G0J1010031	CAPACITOR	
C1138	ECJ0EF1C104Z	C 0.1UF, 16V	
C1139	ECJ0EF1C104Z	C 0.1UF, 16V	
C1140	ECJ0EF1C104Z	C 0.1UF, 16V	
C1141	ECJ2YF1C225Z	C 2.2UF, Z, 16V	
C1143	F2G1C4700014	CAPACITOR	
C1145	ECJ0EF1C104Z	C 0.1UF, 16V	
C1146	F2G1C4700014	CAPACITOR	
C1150	ECJ0EF1C104Z	C 0.1UF, 16V	
C1152	ECJ0EF1C104Z	C 0.1UF, 16V	
C1168	ECJ0EF1C104Z	C 0.1UF, 16V	
C1172	ECJ0EF1C104Z	C 0.1UF, 16V	
C1178	ECJ0EF1C104Z	C 0.1UF, 16V	
C1185	ECJ0EF1C104Z	C 0.1UF, 16V	
C1189	ECJ0EF1C104Z	C 0.1UF, 16V	
C1199	ECJ2FF1A106Z	C 10UF, 10V	
C1201	ECJ1VF1A105Z	C 1UF, Z, 50V	
C1202	ECJ0EF1C104Z	C 0.1UF, 16V	
C1204	ECJ1VF1A105Z	C 1UF, Z, 50V	
C1206	ECJ0EF1C104Z	C 0.1UF, 16V	
C1207	ECJ0EF1C104Z	C 0.1UF, 16V	
C1208	ECJ0EF1C104Z	C 0.1UF, 16V	
C1209	ECJ0EF1C104Z	C 0.1UF, 16V	
C1210	ECJ1VF1H333Z	C 0.033UF, 50V	
C1212	ECJ0EF1C104Z	C 0.1UF, 16V	
C1216	ECJ0EF1C104Z	C 0.1UF, 16V	
C1217	ECJ1VC1H471J	C 470PF, J, 50V	
C1219	ECJ1VC1H100C	C 10PF, 50V	
C1220	ECJ0EB1H102K	C 1000PF, 50V	
C1221	ECJ1VC1H100C	C 10PF, 50V	
C1222	ECJ0EF1C104Z	C 0.1UF, 16V	
C1224	F2G0J4700024	CAPACITOR	
C1225	ECJ0EF1C104Z	C 0.1UF, 16V	
C1226	ECJ0EF1C104Z	C 0.1UF, 16V	
C1228	ECJ0EF1C104Z	C 0.1UF, 16V	
C1229	ECJ0EF1C104Z	C 0.1UF, 16V	
C1230	F2G0J4700010	CAPACITOR	
C1242	F2G0J1010031	CAPACITOR	
C1243	ECJ1VF1E104Z	C 0.1UF, Z, 25V	
C1244	F2G1E3300010	CAPACITOR	
C1245	F2G1E3300010	CAPACITOR	
C1246	ECJ0EB1C103K	C 0.01UF, 16V	
C1247	ECJ0EF1C104Z	C 0.1UF, 16V	
C1248	ECJ0EB1C103K	C 0.01UF, 16V	
C1249	ECJ0EF1C104Z	C 0.1UF, 16V	
C1250	ECJ0EB1C103K	C 0.01UF, 16V	
C1251	ECJ0EF1C104Z	C 0.1UF, 16V	
C1252	F1J1E105A197	CAPACITOR	
C1253	ECJ0EF1C104Z	C 0.1UF, 16V	
C1254	ECJ0EF1C104Z	C 0.1UF, 16V	
C1255	ECJ0EF1C104Z	C 0.1UF, 16V	
C1256	ECJ0EF1C104Z	C 0.1UF, 16V	
C1257	ECJ0EF1C104Z	C 0.1UF, 16V	
C1258	ECJ0EF1C104Z	C 0.1UF, 16V	
C1259	ECJ0EF1C104Z	C 0.1UF, 16V	

Ref. No.	Part No.	Part Name & Description	Remarks
C1260	ECJ0EF1C104Z	C 0.1UF, 16V	
C1261	ECJ0EF1C104Z	C 0.1UF, 16V	
C1262	ECJ0EF1C104Z	C 0.1UF, 16V	
C1263	ECJ0EF1C104Z	C 0.1UF, 16V	
C1264	ECJ0EF1C104Z	C 0.1UF, 16V	
C1265	ECJ0EF1C104Z	C 0.1UF, 16V	
C1266	ECJ0EF1C104Z	C 0.1UF, 16V	
C1267	ECJ0EF1C104Z	C 0.1UF, 16V	
C1268	ECJ0EF1C104Z	C 0.1UF, 16V	
C1269	ECJ0EF1C104Z	C 0.1UF, 16V	
C1270	ECJ0EF1C104Z	C 0.1UF, 16V	
C1271	ECJ0EF1C104Z	C 0.1UF, 16V	
C1272	ECJ0EF1C104Z	C 0.1UF, 16V	
C1273	ECJ0EF1C104Z	C 0.1UF, 16V	
C1274	ECJ0EF1C104Z	C 0.1UF, 16V	
C1275	ECJ0EF1C104Z	C 0.1UF, 16V	
C1276	ECJ0EF1C104Z	C 0.1UF, 16V	
C1277	ECJ0EF1C104Z	C 0.1UF, 16V	
C1278	ECJ0EF1C104Z	C 0.1UF, 16V	
C1279	ECJ0EF1C104Z	C 0.1UF, 16V	
C1280	ECJ0EF1C104Z	C 0.1UF, 16V	
C1281	ECJ0EF1C104Z	C 0.1UF, 16V	
C1282	ECJ0EF1C104Z	C 0.1UF, 16V	
C1283	ECJ0EF1C104Z	C 0.1UF, 16V	
C1284	ECJ0EF1C104Z	C 0.1UF, 16V	
C1285	ECJ0EF1C104Z	C 0.1UF, 16V	
C1286	F2G1E3300022	CAPACITOR	
C1306	ECJ0EF1C104Z	C 0.1UF, 16V	
C1329	F1J1E105A197	CAPACITOR	
C1330	F1J1E105A197	CAPACITOR	
C1331	F1J1E105A197	CAPACITOR	
C1332	F2G1E3300022	CAPACITOR	
C1333	F2G1E3300010	CAPACITOR	
C1334	F2G1E3300022	CAPACITOR	
C1335	F2G1A3300007	CAPACITOR	
C1336	F2G1A3300022	CAPACITOR	
C1337	F2G1A3300022	CAPACITOR	
C1341	ECJ1VF1C105Z	C 0.01UF, Z, 16V	
C1342	ECJ1VF1C105Z	C 0.01UF, Z, 16V	
C1343	ECJ1VF1C105Z	C 0.01UF, Z, 16V	
C1360	ECJ3YF1C475Z	C 4.7UF, Z, 16V	
C1500	ECJ0EF1C104Z	C 0.1UF, 16V	
C1501	ECJ0EF1C104Z	C 0.1UF, 16V	
C1502	ECJ0EF1C104Z	C 0.1UF, 16V	
C1503	ECJ0EF1C104Z	C 0.1UF, 16V	
C1504	ECJ0EF1C104Z	C 0.1UF, 16V	
C1505	ECJ0EF1C104Z	C 0.1UF, 16V	
C1506	ECJ0EF1C104Z	C 0.1UF, 16V	
C1507	ECJ0EF1C104Z	C 0.1UF, 16V	
C1508	ECJ0EF1C104Z	C 0.1UF, 16V	
C1509	ECJ0EF1C104Z	C 0.1UF, 16V	
C1510	ECJ0EF1C104Z	C 0.1UF, 16V	
C1511	ECJ0EF1C104Z	C 0.1UF, 16V	
C1512	ECJ0EF1C104Z	C 0.1UF, 16V	
C1513	ECJ0EF1C104Z	C 0.1UF, 16V	
C1514	ECJ0EF1C104Z	C 0.1UF, 16V	
C1515	ECJ0EF1C104Z	C 0.1UF, 16V	
C1516	ECJ0EF1C104Z	C 0.1UF, 16V	
C1517	ECJ0EB1C103K	C 0.01UF, 16V	
C1518	ECJ0EF1C104Z	C 0.1UF, 16V	
C1519	ECJ0EF1C104Z	C 0.1UF, 16V	
C1520	ECJ0EF1C104Z	C 0.1UF, 16V	
C1521	ECJ0EF1C104Z	C 0.1UF, 16V	
C1522	ECJ0EF1C104Z	C 0.1UF, 16V	
C1523	ECJ0EF1C104Z	C 0.1UF, 16V	
C1524	ECJ0EF1C104Z	C 0.1UF, 16V	
C1525	ECJ0EF1C104Z	C 0.1UF, 16V	
C1526	ECJ0EF1C104Z	C 0.1UF, 16V	
C1527	ECJ0EF1C104Z	C 0.1UF, 16V	
C1528	ECJ0EF1C104Z	C 0.1UF, 16V	
C1529	ECJ0EF1C104Z	C 0.1UF, 16V	
C1530	ECJ0EF1C104Z	C 0.1UF, 16V	
C1531	ECJ0EF1C104Z	C 0.1UF, 16V	

Ref. No.	Part No.	Part Name & Description	Remarks
C1532	ECJ0EF1C104Z	C 0.1UF, 16V	
C1533	ECJ0EF1C104Z	C 0.1UF, 16V	
C1534	ECJ0EF1C104Z	C 0.1UF, 16V	
C1535	ECJ0EF1C104Z	C 0.1UF, 16V	
C1539	FLJ1E105A197	CAPACITOR	
C1541	FLJ0J106A013	CAPACITOR	
C1542	F2G0J4700024	CAPACITOR	
C1543	F2G1A221A030	CAPACITOR	
C1544	ECJ0EF1C104Z	C 0.1UF, 16V	
C1601	ECJ1VF1E104Z	C 0.1UF, Z, 25V	
C1602	ECJ0EF1C104Z	C 0.1UF, 16V	
C1603	ECJ0EF1C104Z	C 0.1UF, 16V	
C1604	ECJ0EF1C104Z	C 0.1UF, 16V	
C1605	ECJ0EF1C104Z	C 0.1UF, 16V	
C1606	ECJ0EF1C104Z	C 0.1UF, 16V	
C1607	ECJ0EF1C104Z	C 0.1UF, 16V	
C1608	ECJ0EF1C104Z	C 0.1UF, 16V	
C1609	ECJ0EF1C104Z	C 0.1UF, 16V	
C1610	ECJ0EF1C104Z	C 0.1UF, 16V	
C1611	ECJ0EF1C104Z	C 0.1UF, 16V	
C1613	ECJ0EF1C104Z	C 0.1UF, 16V	
C1614	ECJ0EF1C104Z	C 0.1UF, 16V	
C1615	ECJ0EF1C104Z	C 0.1UF, 16V	
C1616	ECJ0EF1C104Z	C 0.1UF, 16V	
C1617	ECJ0EF1C104Z	C 0.1UF, 16V	
C1618	ECJ0EF1C104Z	C 0.1UF, 16V	
C1619	ECJ0EF1C104Z	C 0.1UF, 16V	
C1620	ECJ0EF1C104Z	C 0.1UF, 16V	
C1621	ECJ0EF1C104Z	C 0.1UF, 16V	
C1623	ECJ0EF1C104Z	C 0.1UF, 16V	
C1624	ECJ0EF1C104Z	C 0.1UF, 16V	
C1629	ECJ1VF1A105Z	C 1UF, Z, 50V	
C1637	ECJ0EF1C104Z	C 0.1UF, 16V	
C1638	ERJ3GEYJ103	M 10K OHM, J, 1/16W	
C1639	ECJ1VF1C104Z	C 0.1UF, Z, 16V	
C1640	ECJ1VF1C104Z	C 0.1UF, Z, 16V	
C1641	ECJ2FF1A106Z	C 10UF, 10V	
C1801	FLJ0J106A013	CAPACITOR	LB50NTU/E/EA
C1802	ECJ0EF1C104Z	C 0.1UF, 16V	LB50NTU/E/EA
C1803	ECJ0EF1C104Z	C 0.1UF, 16V	LB50NTU/E/EA
C1804	ECJ0EF1C104Z	C 0.1UF, 16V	LB50NTU/E/EA
C1805	FLJ0J106A013	CAPACITOR	LB50NTU/E/EA
C1816	FLJ0J106A013	CAPACITOR	LB50NTU/E/EA
C1817	ECJ0EF1C104Z	C 0.1UF, 16V	LB50NTU/E/EA
C1818	ECJ0EF1C104Z	C 0.1UF, 16V	LB50NTU/E/EA
C1819	ECJ1VC1H101J	C 100PF, J, 50V	LB50NTU/E/EA
C1820	ECJ1VB0J105K	C 1UF, Z, 6.3V	LB50NTU/E/EA
C1821	ECJ1VB1C104K	CAPACITOR	LB50NTU/E/EA
C1822	EEEFK1C101P	CAPACITOR	LB50NTU/E/EA
C1823	EEEFK1C101P	CAPACITOR	LB50NTU/E/EA
C1824	ECJ1VB0J105K	C 1UF, Z, 6.3V	LB50NTU/E/EA
C1825	ECJ1VB0J105K	C 1UF, Z, 6.3V	LB50NTU/E/EA
C1826	ECJ1VB0J105K	C 1UF, Z, 6.3V	LB50NTU/E/EA
C1827	ECJ1VB0J105K	C 1UF, Z, 6.3V	LB50NTU/E/EA
C1828	ECJ1VB0J105K	C 1UF, Z, 6.3V	LB50NTU/E/EA
C1829	ECJ1VB0J105K	C 1UF, Z, 6.3V	LB50NTU/E/EA
C1830	ECJ1VB0J105K	C 1UF, Z, 6.3V	LB50NTU/E/EA
C1831	ECJ1VB0J105K	C 1UF, Z, 6.3V	LB50NTU/E/EA
C1832	ECJ1VB0J105K	C 1UF, Z, 6.3V	LB50NTU/E/EA
C1833	ECJ1VB0J105K	C 1UF, Z, 6.3V	LB50NTU/E/EA
C1834	ECJ1VB0J105K	C 1UF, Z, 6.3V	LB50NTU/E/EA
C1835	ECJ1VB0J105K	C 1UF, Z, 6.3V	LB50NTU/E/EA
C1836	F2G0J4700010	CAPACITOR	LB50NTU/E/EA
C1837	F2G0J4700010	CAPACITOR	LB50NTU/E/EA
C1838	ECJ0EF1C104Z	C 0.1UF, 16V	LB50NTU/E/EA
C1839	ECJ0EF1C104Z	C 0.1UF, 16V	LB50NTU/E/EA
C1840	FLJ0J106A013	CAPACITOR	LB50NTU/E/EA
C1841	ECJ0EF1C104Z	C 0.1UF, 16V	LB50NTU/E/EA
C1842	ECJ1VB0J474K	CAPACITOR	LB50NTU/E/EA
C1843	FLJ0J106A013	CAPACITOR	LB50NTU/E/EA
C1844	FLJ0J106A013	CAPACITOR	LB50NTU/E/EA
C1845	FLJ0J106A013	CAPACITOR	LB50NTU/E/EA
C1846	FLJ0J106A013	CAPACITOR	LB50NTU/E/EA

Ref. No.	Part No.	Part Name & Description	Remarks
C1847	ECJ0EF1C104Z	C 0.1UF, 16V	LB50NTU/E/EA
C1861	ECJ0EF1C104Z	C 0.1UF, 16V	LB50NTU/E/EA
C1862	ECJ0EF1C104Z	C 0.1UF, 16V	LB50NTU/E/EA
C1863	ECJ0EF1C104Z	C 0.1UF, 16V	LB50NTU/E/EA
C1864	ECJ0EF1C104Z	C 0.1UF, 16V	LB50NTU/E/EA
C1865	ECJ0EF1C104Z	C 0.1UF, 16V	LB50NTU/E/EA
C1866	ECJ0EF1C104Z	C 0.1UF, 16V	LB50NTU/E/EA
C1867	ECJ0EF1C104Z	C 0.1UF, 16V	LB50NTU/E/EA
C1868	ECJ0EF1C104Z	C 0.1UF, 16V	LB50NTU/E/EA
C1869	ECJ0EF1C104Z	C 0.1UF, 16V	LB50NTU/E/EA
C1870	ECJ0EF1C104Z	C 0.1UF, 16V	LB50NTU/E/EA
C1871	ECJ0EF1C104Z	C 0.1UF, 16V	LB50NTU/E/EA
C1872	ECJ0EF1C104Z	C 0.1UF, 16V	LB50NTU/E/EA
C1873	ECJ0EF1C104Z	C 0.1UF, 16V	LB50NTU/E/EA
C2001	ECJ3YF1C475Z	C 4.7UF, Z, 16V	
C2002	ECJ0EF1C104Z	C 0.1UF, 16V	
C2003	ECJ0EF1C104Z	C 0.1UF, 16V	
C2004	F2G0J4700010	CAPACITOR	
C4001	ECJ3YF1C475Z	C 4.7UF, Z, 16V	
C4002	ECJ3YF1C475Z	C 4.7UF, Z, 16V	
C4003	ECJ2FF1A106Z	C 10UF, 10V	
C4004	ECJ1VB1H472K	C 4700PF, K, 50V	
C4005	ECJ2FF1A106Z	C 10UF, 10V	
C4006	ECJ1VF1C105Z	C 0.01UF, Z, 16V	
C5001	F4D272750005	CAPACITOR	
C5002	F4D272750005	CAPACITOR	
C5003	F4D272750005	CAPACITOR	
C5004	F4D272750005	CAPACITOR	
C9101	ECQU2A105MLA	P 1UF, M, 250V	△
C9102	F1BAH102A024	CAPACITOR	△
C9103	F1BAH102A024	CAPACITOR	△
C9603	FK2J333A013	CAPACITOR	
C9610	F0C2E1050002	CAPACITOR	
C9617	F0C3C4720003	CAPACITOR	
C9618	F0C2J1540004	CAPACITOR	
C9619	F0C2J1540004	CAPACITOR	
[OTHERS]			
A1	K1MY30BA0006	CONNECTOR	
A2	K1MY30BA0006	CONNECTOR	
A3	K1MY30BA0006	CONNECTOR	
A4	K1KA07BA0014	7P CONNECTOR	
A5	K1KA03BA0014	3P CONNECTOR	
A6	K1KA12BA0059	12P CONNECTOR	
A8	K1MY14BA0008	14P CONNECTOR	
A9	K1KB05AA0065	5P CONNECTOR	
A10	K1KA02BA0047	2P CONNECTOR	
A11	K1KA02BA0047	2P CONNECTOR	
A12	K1KA02BA0047	2P CONNECTOR	
A13	K1MY50BA0106	CONNECTOR	LB50NTU/E/EA
A15	K1KA03BA0047	3P CONNECTOR	
A16	K1KA03BA0014	3P CONNECTOR	
A17	K1KA03BA0047	3P CONNECTOR	
A18	K1KA03BA0014	3P CONNECTOR	
A19	K1KA04BA0047	4P CONNECTOR	
A20	K1MN14AA0041	14P CONNECTOR	
G1	K1MN14AA0041	CONNECTOR	
S1	K1MN14BA0116	CONNECTOR	
WL1	K1NA09E00062	SD CARD SLOT	LB50NTU/E/EA
WL2	K1MY50BA0106	CONNECTOR	LB50NTU/E/EA
WL3	K1KA10BA0014	10P CONNECTOR	LB50NTU/E/EA
Z1	K1YA03000032	CONNECTOR	
CF1001	D4CC1103A037	THERMISTOR	
CF2001	D4CC1103A037	THERMISTOR	
F9101-1	EYF52BCY	FUSE HOLDER	
F9101-2	EYF52BCY	FUSE HOLDER	
F9101	K5D502BNA005	FUSE	△
JK1001	K1AY205B0001	S-VIDEO/VIDEO IN TERMINAL	
JK1002	K1FY108B0001	RS232C I/F TERMINAL	
JK1003	K2HA2YYB0001	AUDIO IN TERMINAL	
JK1004	K1FB115B0103	RGB IN 1 TERNINAL	

Ref. No.	Part No.	Part Name & Description	Remarks
JK1005	K1FB115B0102	RGB IN 2/OUT TERMINAL	
JK4001	K2HC1YYB0003	AUDIO TERMINAL	
JK4002	K2HC1YYB0004	AUDIO TERMINAL	
JK9101	K2AZ3B000002	AC INLET	△
JS1003	ERJ6GEY0R00V	RESISTOR	
JS1004	ERJ6GEY0R00V	RESISTOR	
JS1005	ERJ6GEY0R00V	RESISTOR	
JS1006	ERJ6GEY0R00V	RESISTOR	
JS1007	ERJ6GEY0R00V	RESISTOR	
PC2001	B3JB00000023	SENSO (DAYLIGHT SENSOR)	
RM2001	B3RAD0000126	REMOTE CONTROL RECEIVER	
S9602	A9BZ00000013	SPARK GAP	
SW2001	EVQPLHA15	SWITCH	
SW2002	EVQPLHA15	SWITCH	
SW2003	EVQPLHA15	SWITCH	
SW2004	EVQPLHA15	SWITCH	
SW2005	EVQPLHA15	SWITCH	
SW2006	EVQPLHA15	SWITCH	
SW2007	EVQPLHA15	SWITCH	
SW2008	EVQPLHA15	SWITCH	
SW2009	EVQPLHA15	SWITCH	
SW9601	T115AR3U3	SWITCH	△
T9604	G4F2A0000001	TRANS	△
X1001	H0J270500105	CRYSTAL	
X1003	H0J983400016	CRYSTAL	
X1801	H1A6605B0008	CRYSTAL	LB50NTU/E/EA
X1802	H1A1225B0015	CRYSTAL	LB50NTU/E/EA
ZA9101	K9ZZ00000424	CONNECTOR	
RTL	TNPA3876	CIRCUIT BOARD WL	LB50NTU/E/EA
RTL	TNPA3877	CIRCUIT BOARD S	
RTL	TNPA3878	CIRCUIT BOARD G	
RTL	TNPA3887	CIRCUIT BOARD Z	
RTL	TXANP01VKB9	CIRCUIT BOARD A	LB50NTU/E/EA
	TXANP01QCEZ	CIRCUIT BOARD A	LB50U/E/EA
	TXANP01QCHZ	CIRCUIT BOARD A	LB50SU/E/EA
RTL	TXANP02VKB9	CIRCUIT BOARD K	
	TXANP03VKB9	POWER UNIT ASSY	
	TXANP04VKB9	BALLAST UNIT ASSY	