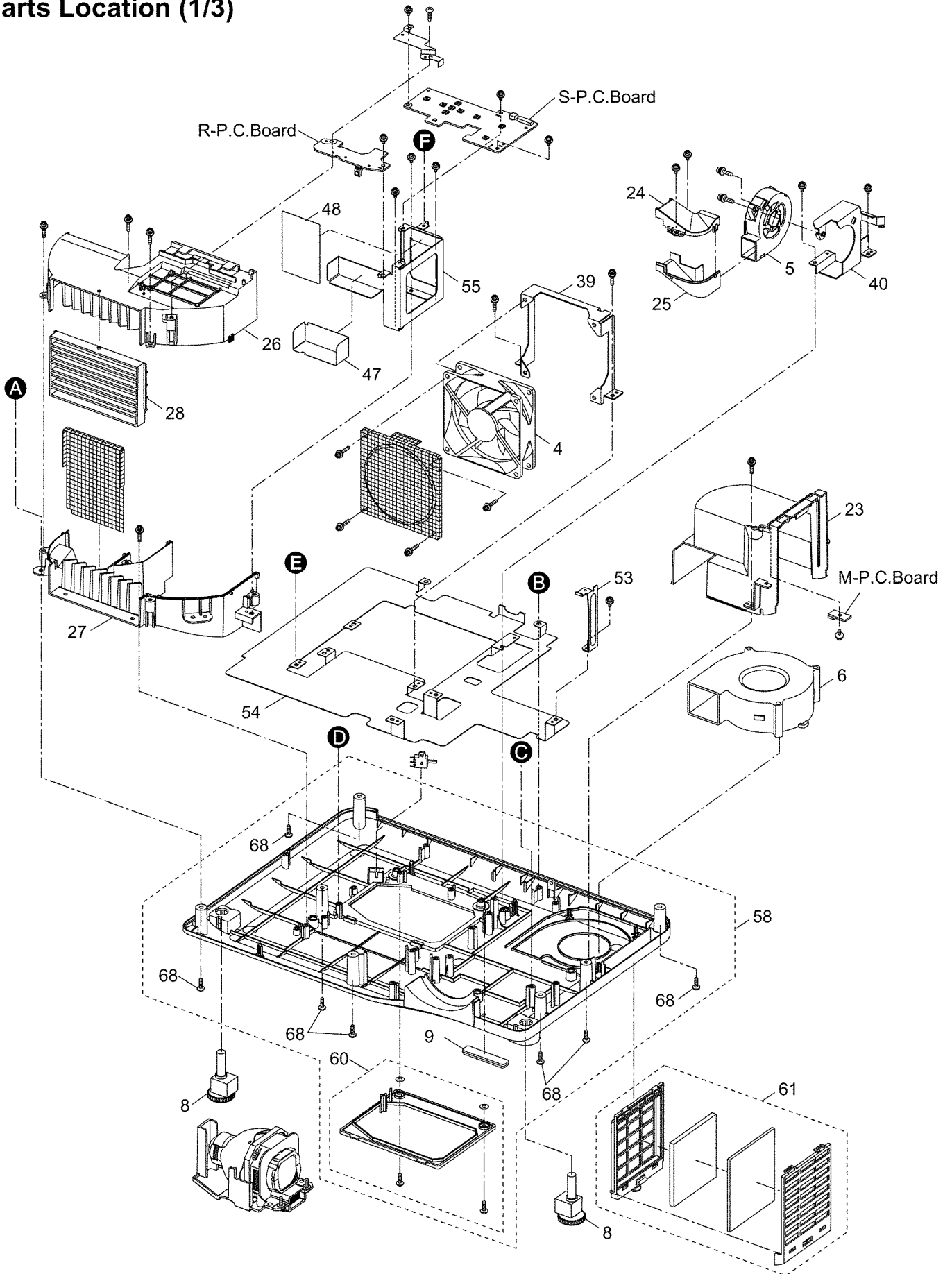
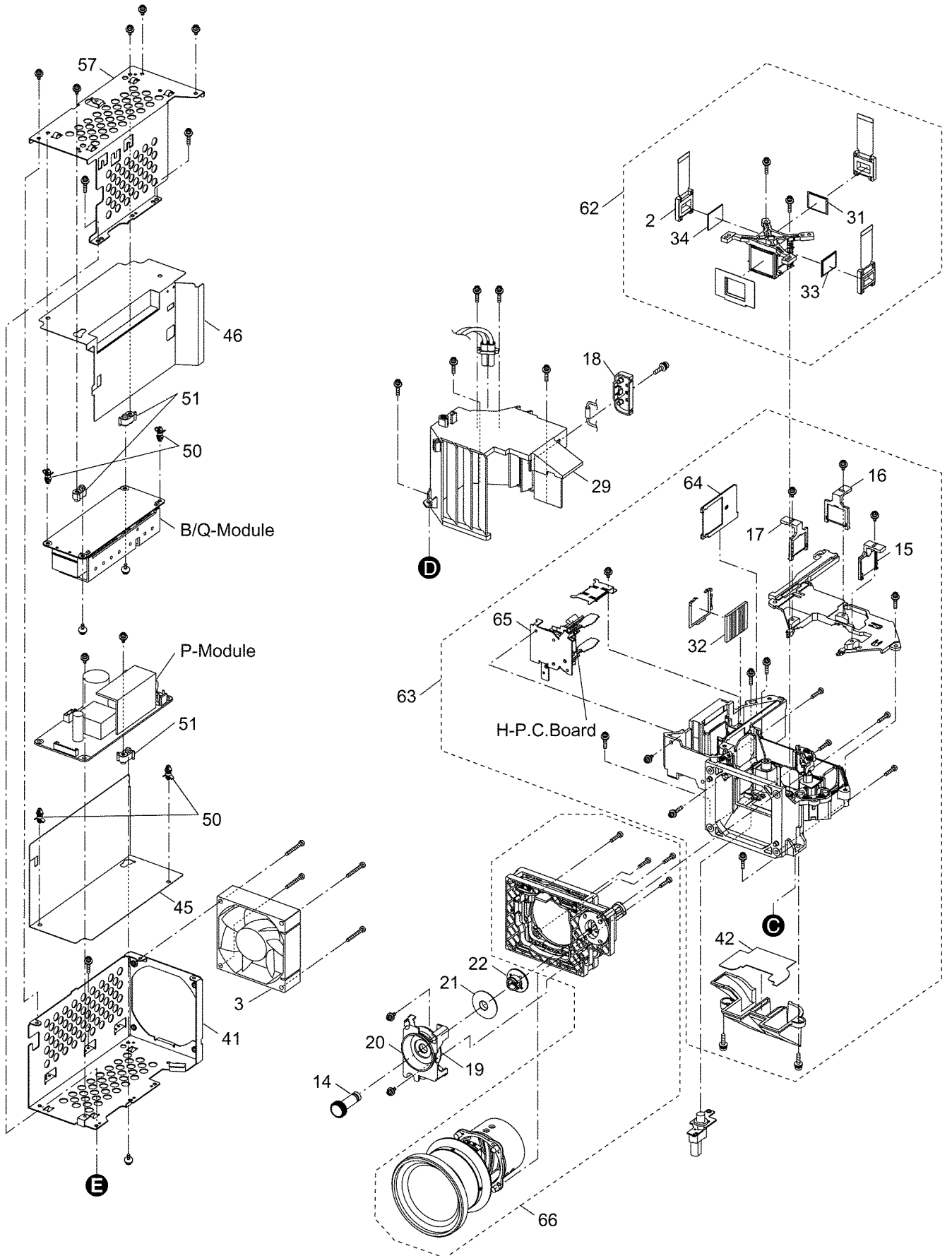


# 14 Exploded Views

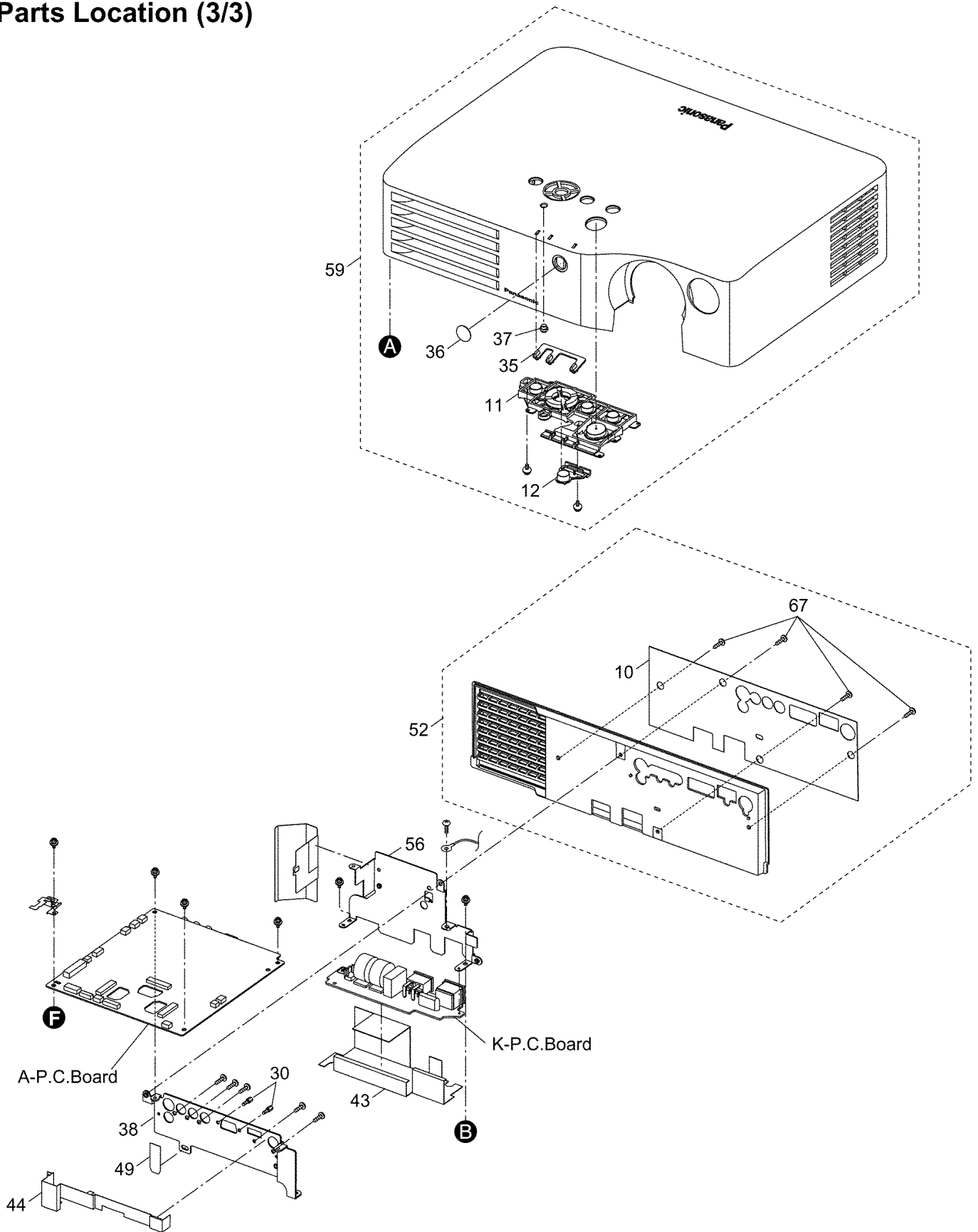
## Parts Location (1/3)



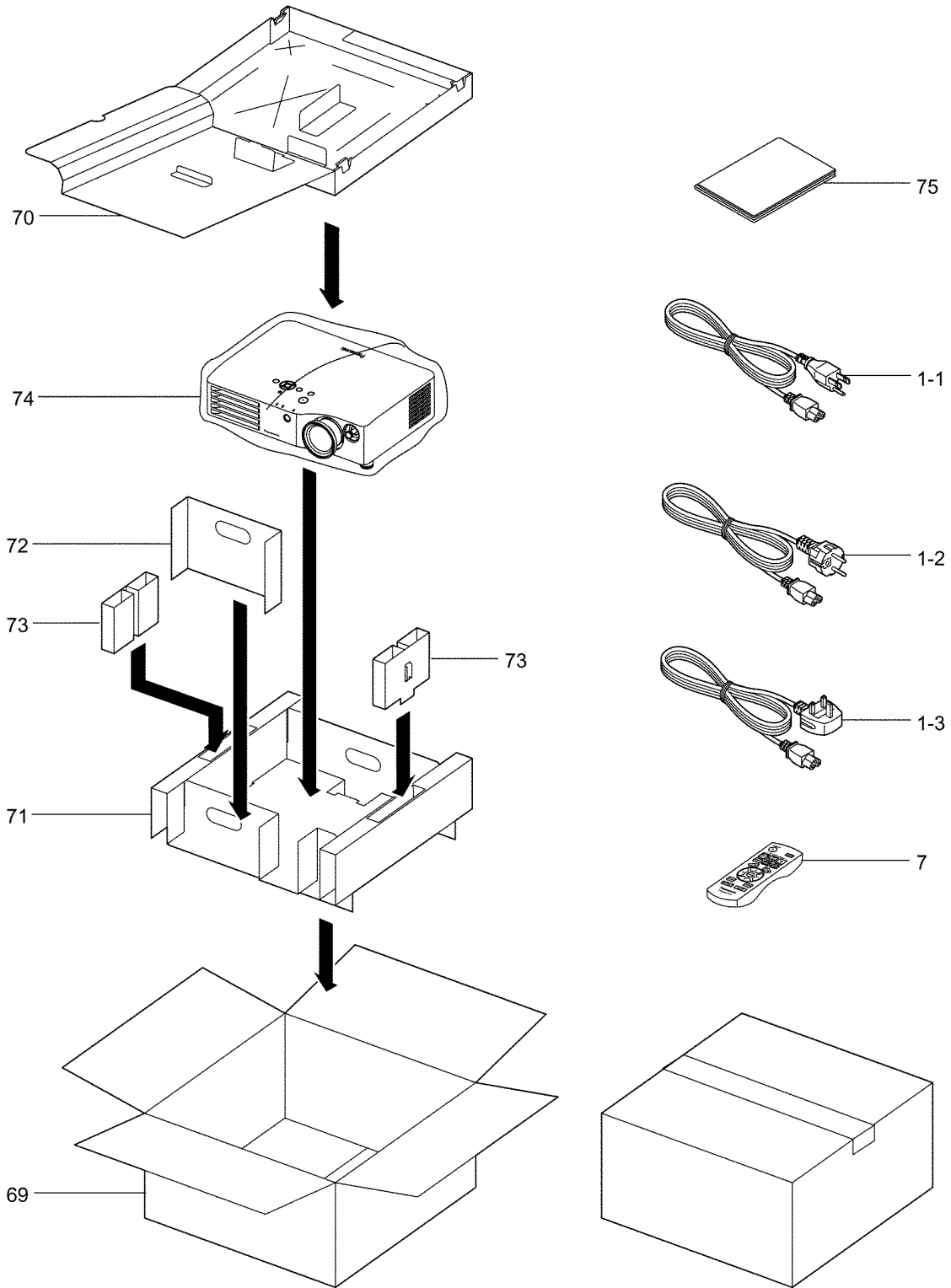
# Parts Location (2/3)



### Parts Location (3/3)



# Packing Parts



# 15 Replacement Parts List

## Important Safety Notice

Components identified by the International symbol  $\triangle$  have special characteristics important for safety. When replacing any of these components, use only the manufacturer's specified parts.

### Abbreviation of part name and description

#### 1. Resistor

Example:

ERD25TJ104 C 100KOHM, J, 1/4W

TYPE ALLOWANCE

TYPE	ALLOWANCE
C : Carbon	F : $\pm 1\%$
F : Fuse	G : $\pm 2\%$
M : Metal Oxide	J : $\pm 5\%$
Metal Film	K : $\pm 10\%$
S : Solid	M : $\pm 20\%$
W : Wire Wound	

#### 2. Capacitor

Example:

ECKF1H103ZF C 0.01PF, Z, 50V

TYPE ALLOWANCE

TYPE	ALLOWANCE
C : Ceramic	C : $\pm 0.25$ pF
E : Electrolytic	D : $\pm 0.5$ pF
P : Polyester	F : $\pm 1$ pF
PP : Polypropylene	J : $\pm 5\%$
S : Polystyrol	K : $\pm 10\%$
T : Tantalum	L : $\pm 15\%$
	M : $\pm 20\%$
	P : +100 %, -0 %
	Z : +80 %, -20 %

### Notes:

Printed circuit board assembly with mark (RTL) is no longer available after production discontinuation of the complete set.

Ref. No.	Part No.	Part Name & Description	Remarks
[MECHANICAL PARTS]			
	D4CDY4930003	TEMP SENSOR	$\triangle$
	J0KG00000052	CORE	$\triangle$
1-1	K2CG3FR00001	POWER CORD	$\triangle$ PT-AX100U
1-2	K2CM3FR00002	POWER CORD (EUROPE)	$\triangle$ PT-AX100E
1-3	K2CT3FR00003	POWER CORD (UK)	$\triangle$ PT-AX100E
2	L5BDAYY00022	LIQUID CRYSTAL DISPLAY B	
	L5BDAYY00025	LIQUID CRYSTAL DISPLAY B	
3	L6FAYYYH0028	POWER FAN	$\triangle$
4	L6FAYYYH0029	VENTILATION FAN	$\triangle$
5	L6FCYYH0009	LAMP FAN	$\triangle$
6	L6FCYYH0010	SIROCCO FAN (INHALATION)	$\triangle$
7	N2QAYB000064	REMOTE CONTROLLER	
8	TBLB0047-1	ADJUST LEG	
9	TBLG3042-1	RUBBER LEG (REAR)	
	TBMA160-1	LOGO BADGE	
	TBMG385	MODEL NAME PLATE	PT-AX100U
	TBMG386	MODEL NAME PLATE	PT-AX100E
	TBMG388	MODEL NO. LABEL	PT-AX100U
	TBMG389	MODEL NO. LABEL	PT-AX100E
10	TBMU690	TERMINAL SHEET	
11	TBXA49801	CONTROL BUTTON	
12	TBXA49902	CONTROL BUTTON 2	
14	TEEC0043	SHIFT LEVER ASSY	
15	TEEC0044	POLARIZING PLATE/IN R	
16	TEEC0045	POLARIZING PLATE/IN G	
17	TEEC0046	POLARIZING PLATE/IN B	
18	TEEC5120	TEMP FUSE INSTALL METAL	
19	TEEC5180-1	MASK MECHA 1	
20	TEEC5181-1	MASK MECHA 2	
21	TEEC5182-1	MASK MECHA 3	
	TEEC5212	SHIFT LEVER	
22	TEEC5214	SHIFT LOCK	
24	TEEC5248	LAMP DUCT 1	
25	TEEC5249	LAMP DUCT 2	
26	TEEC5250	VENTILATION DUCT 1	
27	TEEC5251	VENTILATION DUCT 2	
28	TEEC5252	VENTILATION LOBAR	
	TEEC5289	SHIFT COVER	
	TESD067-1	SPRING	

Ref. No.	Part No.	Part Name & Description	Remarks
	TEWA644	BUSTERAID	
	TEWA833	FILM IMPEDOR	
30	THEC084N	D-SUB SCREW	
31	TKGP0035	POLARIZING PLATE/OUT G	
	TKGP0036	POLARIZING PLATE/OUT G	
32	TKGP5240	PBS	
33	TKGP5280	POLARIZING PLATE/OUT R	
	TKGP5281	POLARIZING PLATE/OUT R	
34	TKGP5326	POLARIZING PLATE/OUT B	
	TKGP5329	POLARIZING PLATE/OUT B	
35	TKKC5252	LED PLATE	
36	TKKC5253	REMOTE RECEIVER PLATE	
37	TKKC5254	ILLUMINATION SENSOR PLATE	
	TKKL5372	LENS COVER	
38	TKZF5048	TERMINAL MEATL	
39	TKZJ5066	VENTILATION FAN METAL	
40	TKZJ5067	LAMP FAN METAL	
41	TKZJ5068	POWER FAN INSTALL METAL	
	TMKG740	SHEET	
	TMKX100	WASHER	
	TMKX988	TAPE	
42	TMKY111	DUCT COVER	
43	TMKY116	INSULATION SHEET (K-PCB)	
44	TMKY117	INSULATION SHEET (A-PCB)	
45	TMKY118	POWER INSULATION SHEET	
46	TMKY119	BALLAST INSULATION SHEET	
	TMKY149	POWER INSULATION SHEET 1	
47	TMKY150	INSULATION SHEET 1 (S-PCB)	
48	TMKY151	INSULATION SHEET 2 (S-PCB)	
49	TMKY152	INSULATION SHEET 2 (A-PCB)	
	TMME244	TIERAP	
50	TMME279	PCB SPACER	
51	TMXE049	BALLAST INSTALL METAL	
69	TPCC04402	CARTON	PT-AX100U
	TPCC04403	CARTON	PT-AX100E
70	TPDF1741	ACCESSORY CARTON	
71	TPDF1742	CUSHION	
72	TPDF1743	CUSHION	
73	TPDF1771	CUSHION 2	

Ref. No.	Part No.	Part Name & Description	Remarks
74	TPEH110-1	SET COVER	
	TQB817002-1	SAFETY SHEET	PT-AX100U
75	TQBJ0203	INSTRUCTION BOOK	△ PT-AX100U
	TQBJ0204	INSTRUCTION BOOK	△ PT-AX100E
	TQBJ7002-1	DIRECTORY SHEET	PT-AX100U
	TQD1712010	SHEET	
	TQDJ18012-2	GUARANTEE CARD (CANADA)	PT-AX100U
	TQDJ18026-2	GUARANTEE CARD (USA)	PT-AX100U
	TSXL586	FLEX CABLE (A8-S1)	△
52	TTPA0453	TERMINAL COVER ASSY	
	TUCB5061	POWERBOX INSULATION METAL	
	TUCB5062	FAN INSULATION METAL	
	TUCB5064	ALUMINUM SHEET 1	
	TUCB5065	ALUMINUM SHEET 2	
	TUCB5066	ALUMINUM SHEET 3	
	TUCB5077	ALUMINUM SHEET 4	
	TUCB5078	ALUMINUM SHEET 5	
	TUCB5079	ALUMINUM SHEET 6	
53	TUCX5181	GROUND METAL 1	
54	TUCX5222	VASE METAL	
55	TUCX5223	BOARD EARTH METAL	
56	TUWC055	INSTALL METAL (K-PCB)	
57	TUXX406	BALLAST INSTALL METAL	
29	TXAEE03VKD3	LAMP HOUSE ASSY	
23	TXAEE04VKD3	INHALATION DUCT ASSY	
58	TXFKF01QDZZ	BOTTOM COVER	PT-AX100U
	TXFKF01QEAZ	BOTTOM COVER	PT-AX100E
59	TXFKF02QDZZ	UPPER COVER	PT-AX100U
	TXFKF02QEAZ	UPPER COVER	PT-AX100E
60	TXFKK01VKD3	LAMP COVER ASSY	
61	TXFKN01VKD3	FILTER ASSY	
	TXJ/B1VKD3	LEAD WIRE (B1-P2)	△
	TXJ/E2VKD3	EARTH WIRE	△
	TXJ/E3VKD3	EARTH LEAD	△
	TXJ/E4VKD3	EARTH LEAD	△
	TXJ/H1VKD3	LEAD WIRE (H1-A23)	△
	TXJ/K1VKD3	LEAD WIRE (K1-PK)	△
	TXJ/L2VKD3	LEAD WIRE (B-PCB)	△
	TXJ/M1VKD3	LEAD WIRE (M1-A21)	△
	TXJ/P1VKD3	LEAD WIRE (PK-P1)	△
	TXJ/P3VKD3	LEAD WIRE (P3-A6)	△
	TXJ/Q3VKD3	LEAD WIRE (Q3-A4)	△
62	TXFEC99VKD3A	OPTICALBLOCK A	
	TXFEC99VKD3B	OPTICAL BLOCK B	
63	TXFEC98VKD3	ANALYSIS BLOCK	
64	TXZEC03VKD3	CINEMA FILTER ASSY	
65	TXZEN01VKD3	IRIS UNIT ASSY	
66	TXZKG03VKD3	LENS	
	XSB3+10FN	SCREW	
67	XSB3+8FN	SCREW	
	XSN3+8FJK	SCREW	
68	XTB3+12CFN	SCREW	
	XTBT969FJK	SCREW	
	XTN3+6GFJ	SCREW	
	XTW3+8PFJ	SCREW	
	XYN2+F6FJ	SCREW	
	XYN2+J4FJ	SCREW	
	XYN3+F12FJ	SCREW	
	XYN3+F30	SCREW	
	XYN3+F8FJ	SCREW	
	XYN3+J12FJ	SCREW	
	XYN3+J8FJ	SCREW	
	XYN4+E8FJ	SCREW	
	XYN4+F12FJ	SCREW	
	XYN4+J12FJ	SCREW	
	XZBT6532	POLY BAG	
[INTEGRATED CIRCUIT]			
IC1001	C1AB00002650	I.C	
IC1005	C1AB00002628	I.C	
IC1006	C3ABQJ000048	I.C	

Ref. No.	Part No.	Part Name & Description	Remarks
IC1007	COZBZ0001361	I.C	
IC1010	TVRP119	I.C	
IC1012	C3BBFC000321	I.C	
IC1013	C0CBCBD00008	I.C	
IC1016	C0EBE0000336	I.C	
IC1026	C0DBEKG00004	I.C	
IC1027	C0DBEYY00042	I.C	
IC1028	C0DBEKG00004	I.C	
IC1029	C0DBEKG00004	I.C	
IC1030	C1AB00002351	I.C	
IC1033	C0DBEFH00001	I.C	
IC1053	C1AB00002607	I.C	
IC1054	C1AB00002289	I.C	
IC1055	C1AB00002607	I.C	
IC1056	C1AB00002289	I.C	
IC1057	C1AB00002607	I.C	
IC1058	C1AB00002289	I.C	
IC1060	C0CBCYG00004	I.C	
IC1061	C3EBKC000014	I.C	
IC1063	TVRP120	I.C	
IC1066	C0CBCAG00016	I.C	
IC1102	C0JBAA0002431	I.C	
IC1103	COZBZ0001473	I.C	
IC1105	C0CBCDD00004	I.C	
IC1106	C3EBEC000054	I.C	
IC1107	C0GBG0000053	I.C	
IC1111	C0DBZGF00002	I.C	
IC1115	C0ABCA000085	I.C	
IC1116	C0EBE0000336	I.C	
IC1117	C1BB00000888	I.C	
IC1122	C0CBCAD00015	I.C	
IC1123	C0CBCAD00015	I.C	
IC1124	C0CBCAD00015	I.C	
IC1125	C0CBCDD00004	I.C	
IC1133	TVRP121	I.C	
IC1137	C0JBAA000359	I.C	
IC1138	C0JBAA000359	I.C	
IC9602	COZBZ0001462	I.C (B-PCB)	
IC9603	COZBZ0001462	I.C (B-PCB)	
[TRANSISTORS]			
Q1001	2SD1819A0L	TRANSISTOR	
Q1003	2SB1218A0L	TRANSISTOR	
Q1006	2SD1819A0L	TRANSISTOR	
Q1008	2SD1819A0L	TRANSISTOR	
Q1009	2SD1819A0L	TRANSISTOR	
Q1011	2SD1819A0L	TRANSISTOR	
Q1012	2SD1819A0L	TRANSISTOR	
Q1015	2SD1819A0L	TRANSISTOR	
Q1031	2SD1819A0L	TRANSISTOR	
Q1032	2SD1819A0L	TRANSISTOR	
Q1033	2SD1819A0L	TRANSISTOR	
Q1034	2SD1819A0L	TRANSISTOR	
Q1035	2SD1819A0L	TRANSISTOR	
Q1037	B1GBCFJJ0007	TRANSISTOR	
Q1111	2SD1819A0L	TRANSISTOR	
Q1112	B1GBCFJJ0007	TRANSISTOR	
Q1117	B1GBCFJJ0007	TRANSISTOR	
Q1120	2SB1218A0L	TRANSISTOR	
Q1121	2SD1819A0L	TRANSISTOR	
Q2001	B1GDCFJJ0008	TRANSISTOR	
Q2021	B1GBCFJJ0007	TRANSISTOR	
Q2022	B1GBCFJJ0007	TRANSISTOR	
Q2023	B1GDCFJJ0008	TRANSISTOR	
Q2024	B1GDCFJJ0008	TRANSISTOR	
Q9603	B1DEGQ000037	TRANSISTOR	
Q9604	2SB0710AWL	TRANSISTOR (B-PCB)	
Q9605	2SB0710AWL	TRANSISTOR (B-PCB)	
Q9606	B1DEGM000022	TRANSISTOR	
Q9607	B1DEGM000022	TRANSISTOR	
Q9608	2SB0710AWL	TRANSISTOR (B-PCB)	
Q9609	2SB0710AWL	TRANSISTOR (B-PCB)	

Ref. No.	Part No.	Part Name & Description	Remarks
Q9610	B1DEGM000022	TRANSISTOR	
Q9611	B1DEGM000022	TRANSISTOR	
Q9614	B1DEGQ000037	TRANSISTOR	
[DIODES]			
D1010	MA8056M	DIODE	
D1011	MA8056M	DIODE	
D1024	B3AAB0000038	DIODE	
D1105	EZJZ0V171AA	VARISTOR	
D1110	EZJZ0V171AA	VARISTOR	
D1122	MA152WK	DIODE	
D1123	MA152WK	DIODE	
D1124	MA3X15300L	DIODE	
D1125	MA704A	DIODE	
D1126	B0JCPD000026	DIODE	
D1127	B0JCPD000026	DIODE	
D1139	EZAEG2A50AX	DIODE	
D1141	EZAEG2A50AX	DIODE	
D1142	EZAEG2A50AX	DIODE	
D1143	EZAEG2A50AX	DIODE	
D1145	EZAEG2A50AX	DIODE	
D1146	EZAEG2A50AX	DIODE	
D1147	EZAEG2A50AX	DIODE	
D1148	EZAEG2A50AX	DIODE	
D2021	B3AAB0000038	DIODE	
D2022	B3AAB0000038	DIODE	
D2023	B3AGB0000044	DIODE	
D9101	ERZV10D471	VARISTOR	△
D9601	B0FABR000008	DIODE (B-PCB)	
D9604	MA158TX	DIODE (B-PCB)	MA3X15800L
D9605	B0JCPF000001	DIODE (B-PCB)	
D9606	MA158TX	DIODE (B-PCB)	MA3X15800L
D9607	B0JCPF000001	DIODE (B-PCB)	
D9608	MA158TX	DIODE (B-PCB)	MA3X15800L
D9609	B0JCPF000001	DIODE (B-PCB)	
D9611	MA158TX	DIODE (B-PCB)	MA3X15800L
D9612	B0JCPF000001	DIODE (B-PCB)	
D9616	B0ECHP000003	DIODE (B-PCB)	
D9617	B0JCPF000001	DIODE (B-PCB)	
D9618	B0JCPF000001	DIODE (B-PCB)	
D9619	B0JCPF000001	DIODE (B-PCB)	
D9620	B0JCPF000001	DIODE (B-PCB)	
D9621	B0JCPF000001	DIODE (B-PCB)	
D9622	B0ECHP000003	DIODE (B-PCB)	
D9623	B0ECHP000003	DIODE (B-PCB)	
D9624	B0JCPF000001	DIODE (B-PCB)	
D9625	B0JCPF000001	DIODE (B-PCB)	
D9626	B0JCPF000001	DIODE (B-PCB)	
D9627	B0JCPF000001	DIODE (B-PCB)	
D9628	B0JCPF000001	DIODE (B-PCB)	
D9629	B0ECHP000003	DIODE (B-PCB)	
[COILS]			
L1002	J0JCC0000168	FILTER	
L1005	J0JCC0000168	FILTER	
L1012	J0JCC0000168	FILTER	
L1013	J0JCC0000168	FILTER	
L1014	J0JCC0000168	FILTER	
L1015	J0JCC0000168	FILTER	
L1017	J0JCC0000168	FILTER	
L1018	J0JCC0000168	FILTER	
L1019	J0JCC0000168	FILTER	
L1020	J0JCC0000168	FILTER	
L1021	J0JHC0000078	EMI FILTER	
L1022	J0JHC0000078	EMI FILTER	
L1023	J0JHC0000078	EMI FILTER	
L1024	J0JHC0000078	EMI FILTER	
L1025	J0JCC0000168	FILTER	
L1026	J0JHC0000078	EMI FILTER	
L1027	J0JHC0000078	EMI FILTER	
L1028	J0JHC0000078	EMI FILTER	

Ref. No.	Part No.	Part Name & Description	Remarks
L1029	J0JHC0000078	EMI FILTER	
L1030	J0JJC0000022	EMI FILTER	
L1033	J0JCC0000168	FILTER	
L1034	J0JJC0000022	EMI FILTER	
L1035	ELJFA470JFB	COIL	
L1043	J0JCC0000168	FILTER	
L1049	J0JJC0000022	EMI FILTER	
L1050	J0JJC0000022	EMI FILTER	
L1051	J0JJC0000022	EMI FILTER	
L1064	J0JJC0000022	EMI FILTER	
L1065	J0JCC0000168	FILTER	
L1070	J0JJC0000022	EMI FILTER	
L1071	J0JJC0000022	EMI FILTER	
L1072	J0JJC0000022	EMI FILTER	
L1076	ELJFA470JFB	COIL	
L1077	J0JJC0000022	EMI FILTER	
L1078	J0JHC0000078	EMI FILTER	
L1079	J0JCC0000168	FILTER	
L1080	J0JCC0000168	FILTER	
L1083	J0JHC0000078	EMI FILTER	
L1103	J0JCC0000168	FILTER	
L1104	J0JJC0000022	EMI FILTER	
L1105	J0JJC0000022	EMI FILTER	
L1106	J0JJC0000022	EMI FILTER	
L1117	J0JJC0000022	EMI FILTER	
L1118	J0JHC0000078	EMI FILTER	
L1119	J0JHC0000078	EMI FILTER	
L1120	J0JHC0000078	EMI FILTER	
L1121	J0JHC0000078	EMI FILTER	
L1122	J0JHC0000078	EMI FILTER	
L1124	J0JCC0000168	FILTER	
L1126	G1C330MA0077	COIL	
L1127	G1C330MA0077	COIL	
L1129	J0JJC0000022	EMI FILTER	
L1130	J0JJC0000022	EMI FILTER	
L1131	J0JJC0000022	EMI FILTER	
L1137	J0JJC0000022	EMI FILTER	
L1138	J0JJC0000022	EMI FILTER	
L1139	J0JJC0000022	EMI FILTER	
L1140	J0JJC0000022	EMI FILTER	
L1141	J0JJC0000022	EMI FILTER	
L1145	J0JJC0000022	EMI FILTER	
L2001	J0JCC0000168	FILTER	
LF9101	WW-G0B-G0006	CHOKE COIL	△
LF9102	WW-G0B-G0006	CHOKE COIL	△
FL1001	J0HABC000011	FILTER	
FL1002	J0HABC000011	FILTER	
FL1003	J0HABC000011	FILTER	
FL1004	J0HAYY000012	FILTER	
FL1005	J0HAYY000012	FILTER	
FL1006	J0HAYY000012	FILTER	
FL1007	J0HAYY000012	FILTER	
FL1008	J0HAYY000012	FILTER	
FL1009	J0HAYY000012	FILTER	
FL1010	J0HAYY000012	FILTER	
[RESISTORS]			
R1001	ERJ2GEJ220	M 22 OHM, 0.063W	
R1002	ERJ3GEYJ104	M 100KOHM, J, 1/16W	
R1003	ERJ2GEJ220	M 22 OHM, 0.063W	
R1005	ERJ6ENF75R0	M 75 OHM, 1/10W	
R1006	ERJ6ENF75R0	M 75 OHM, 1/10W	
R1007	ERJ3GEYJ472	M 4.7KOHM, J, 1/16W	
R1008	ERJ6ENF75R0	M 75 OHM, 1/10W	
R1009	ERJ3GEYJ472	M 4.7KOHM, J, 1/16W	
R1010	ERJ3GEYJ562	M 5.6KOHM, J, 1/16W	
R1011	ERJ3GEYJ472	M 4.7KOHM, J, 1/16W	
R1012	ERJ3GEYJ472	M 4.7KOHM, J, 1/16W	
R1013	ERJ3GEYJ560	M 56 OHM, J, 1/16W	
R1014	ERJ3GEYJ562	M 5.6KOHM, J, 1/16W	
R1015	ERJ3GEYJ221	M 220 OHM, J, 1/16W	
R1016	ERJ3GEYJ102	M 1K OHM, J, 1/16W	

Ref. No.	Part No.	Part Name & Description	Remarks
R1017	ERJ6GEYJ750	M 75 OHM,J,1/10W	
R1018	ERJ3GEYJ101	M 100 OHM,J,1/16W	
R1019	ERJ3GEYJ104	M 100KOHM,J,1/16W	
R1020	ERJ3GEYJ471	M 470 OHM,J,1/16W	
R1021	ERJ3GEYJ101	M 100 OHM,J,1/16W	
R1022	ERJ3GEYJ472	M 4.7KOHM,J,1/16W	
R1023	ERJ3GEYJ562	M 5.6KOHM,J,1/16W	
R1026	ERJ6GEYJ750	M 75 OHM,J,1/10W	
R1027	ERJ3GEYJ221	M 220 OHM,J,1/16W	
R1029	ERJ6ENF75R0	M 75 OHM, 1/10W	
R1030	ERJ3GEYJ471	M 470 OHM,J,1/16W	
R1031	ERJ3GEYJ472	M 4.7KOHM,J,1/16W	
R1032	ERJ3GEYJ562	M 5.6KOHM,J,1/16W	
R1033	ERJ3GEYJ221	M 220 OHM,J,1/16W	
R1034	ERJ3GEYJ471	M 470 OHM,J,1/16W	
R1035	ERJ2GEJ103	M 10K OHM, 0.063W	
R1036	ERJ6ENF75R0	M 75 OHM, 1/10W	
R1038	ERJ2GEJ103	M 10K OHM, 0.063W	
R1039	ERJ3GEYJ472	M 4.7KOHM,J,1/16W	
R1040	ERJ3GEYJ562	M 5.6KOHM,J,1/16W	
R1041	ERJ3GEYJ560	M 56 OHM,J,1/16W	
R1042	ERJ3GEYJ103	M 10K OHM,J,1/16W	
R1043	ERJ3GEYJ103	M 10K OHM,J,1/16W	
R1045	ERJ6ENF75R0	M 75 OHM, 1/10W	
R1046	ERJ3GEYJ560	M 56 OHM,J,1/16W	
R1049	ERJ2GEJ682	RESISTOR	
R1050	ERJ2GEJ103	M 10K OHM, 0.063W	
R1051	ERJ2GEJ332	M 3.3KOHM, 0.063W	
R1053	ERJ2GEJ473	M 47K OHM, 0.063W	
R1055	ERJ3GEYJ471	M 470 OHM,J,1/16W	
R1058	ERJ2GEJ101	M 100 OHM, 0.063W	
R1059	ERJ2GEJ101	M 100 OHM, 0.063W	
R1061	ERJ2GEJ101	M 100 OHM, 0.063W	
R1062	ERJ2GEJ331	M 330 OHM, 0.063W	
R1063	ERJ3EKF4990	RESISTOR	
R1065	ERJ2GEJ331	M 330 OHM, 0.063W	
R1066	EXB28V560J	RESISTOR ARRAY	
R1067	EXB28V560J	RESISTOR ARRAY	
R1068	EXB28V560J	RESISTOR ARRAY	
R1069	EXB28V560J	RESISTOR ARRAY	
R1070	EXB28V560J	RESISTOR ARRAY	
R1071	ERJ2GEJ101	M 100 OHM, 0.063W	
R1072	ERJ3EKF1600	RESISTOR	
R1073	EXB28V560J	RESISTOR ARRAY	
R1074	EXB28V560J	RESISTOR ARRAY	
R1075	EXB28V560J	RESISTOR ARRAY	
R1076	EXB28V560J	RESISTOR ARRAY	
R1077	EXB28V560J	RESISTOR ARRAY	
R1078	EXB28V560J	RESISTOR ARRAY	
R1079	EXB28V560J	RESISTOR ARRAY	
R1080	EXB28V560J	RESISTOR ARRAY	
R1081	EXB28V560J	RESISTOR ARRAY	
R1082	EXB28V560J	RESISTOR ARRAY	
R1083	ERJ3GEY0R00	M 0 OHM, 1/16W	
R1084	ERJ3GEY0R00	M 0 OHM, 1/16W	
R1085	ERJ3GEY0R00	M 0 OHM, 1/16W	
R1086	ERJ3GEYJ101	M 100 OHM,J,1/16W	
R1087	ERJ3GEYJ180	METAL OXIDE RESISTOR	
R1088	ERJ3GEYJ180	METAL OXIDE RESISTOR	
R1089	ERJ3GEYJ180	METAL OXIDE RESISTOR	
R1090	ERJ2GEJ560	M 56 OHM, 0.063W	
R1091	ERJ2GEJ220	M 22 OHM, 0.063W	
R1092	ERJ2GEJ220	M 22 OHM, 0.063W	
R1093	ERJ2GEJ220	M 22 OHM, 0.063W	
R1094	ERJ2GEJ220	M 22 OHM, 0.063W	
R1095	ERJ3GEYJ101	M 100 OHM,J,1/16W	
R1096	ERJ2GEJ220	M 22 OHM, 0.063W	
R1097	ERJ2GEJ220	M 22 OHM, 0.063W	
R1098	ERJ3GEYJ104	M 100KOHM,J,1/16W	
R1099	ERJ2GEJ472	M 4.7KOHM, 0.063W	
R1100	ERJ2GEJ472	M 4.7KOHM, 0.063W	
R1101	ERJ2GEJ220	M 22 OHM, 0.063W	
R1102	ERJ3EKF1371	M 1.37KOHM, 0.063W	

Ref. No.	Part No.	Part Name & Description	Remarks
R1103	ERJ6GEYJ750	M 75 OHM,J,1/10W	
R1104	ERJ2GEJ220	M 22 OHM, 0.063W	
R1105	ERJ3GEYJ103	M 10K OHM,J,1/16W	
R1106	ERJ3GEYJ471	M 470 OHM,J,1/16W	
R1107	ERJ3GEYJ471	M 470 OHM,J,1/16W	
R1108	D1HG2208A002	RESISTOR	
R1109	ERJ2GE0R00	M 0 OHM, 0.063W	
R1110	ERJ2GEJ220	M 22 OHM, 0.063W	
R1111	ERJ3EKF1691	M1.69KOHM, 1/16W	
R1112	ERJ2GEJ220	M 22 OHM, 0.063W	
R1113	ERJ3GEYJ103	M 10K OHM,J,1/16W	
R1114	ERJ2GEJ220	M 22 OHM, 0.063W	
R1115	ERJ2GEJ562	M 5.6KOHM, 0.063W	
R1116	D1HG2208A002	RESISTOR	
R1117	ERJ2GEJ220	M 22 OHM, 0.063W	
R1118	ERJ3EKF1501	M 1.5KOHM, 1/16W	
R1119	ERJ2GEJ220	M 22 OHM, 0.063W	
R1120	ERJ3GEYJ560	M 56 OHM,J,1/16W	
R1121	ERJ2GEJ560	M 56 OHM, 0.063W	
R1122	ERJ3GEYJ333	M 33KOHM, 1/16W	
R1124	ERJ2GE0R00	M 0 OHM, 0.063W	
R1125	ERJ2GEJ562	M 5.6KOHM, 0.063W	
R1126	ERJ2GEJ220	M 22 OHM, 0.063W	
R1128	ERJ2GE0R00	M 0 OHM, 0.063W	
R1129	ERJ2GEJ220	M 22 OHM, 0.063W	
R1130	ERJ2GEJ220	M 22 OHM, 0.063W	
R1132	ERJ2GE0R00	M 0 OHM, 0.063W	
R1134	ERJ2GEJ220	M 22 OHM, 0.063W	
R1135	ERJ2GEJ220	M 22 OHM, 0.063W	
R1136	ERJ3GEYJ560	M 56 OHM,J,1/16W	
R1137	ERJ3GEYJ104	M 100KOHM,J,1/16W	
R1138	EXB28V220J	RESISTOR ARRAY	
R1139	EXB28V220J	RESISTOR ARRAY	
R1140	ERJ2GE0R00	M 0 OHM, 0.063W	
R1141	EXB28V220J	RESISTOR ARRAY	
R1142	ERJ2GEJ103	M 10K OHM, 0.063W	
R1143	ERJ3GEYJ103	M 10K OHM,J,1/16W	
R1144	ERJ2GEJ221	M 220 OHM, 0.063W	
R1149	ERJ2GEJ103	M 10K OHM, 0.063W	
R1150	ERJ3GEYJ104	M 100KOHM,J,1/16W	
R1152	ERJ2GEJ103	M 10K OHM, 0.063W	
R1154	ERJ3GEYJ560	M 56 OHM,J,1/16W	
R1156	ERJ3GEYJ560	M 56 OHM,J,1/16W	
R1157	ERJ2GEJ562	M 5.6KOHM, 0.063W	
R1158	ERJ2GEJ562	M 5.6KOHM, 0.063W	
R1159	ERJ3GEYJ103	M 10K OHM,J,1/16W	
R1160	ERJ3GEYJ104	M 100KOHM,J,1/16W	
R1161	ERJ3GEYJ333	M 33KOHM, 1/16W	
R1162	ERJ2GE0R00	M 0 OHM, 0.063W	
R1164	ERJ3GEYJ333	M 33KOHM, 1/16W	
R1168	ERJ2GE0R00	M 0 OHM, 0.063W	
R1169	ERJ2GE0R00	M 0 OHM, 0.063W	
R1170	ERJ2GEJ220	M 22 OHM, 0.063W	
R1171	ERJ2GEJ220	M 22 OHM, 0.063W	
R1172	ERJ2GEJ220	M 22 OHM, 0.063W	
R1173	ERJ2GEJ220	M 22 OHM, 0.063W	
R1174	ERJ2GEJ220	M 22 OHM, 0.063W	
R1175	ERJ2GEJ220	M 22 OHM, 0.063W	
R1176	ERJ3GEYJ104	M 100KOHM,J,1/16W	
R1177	ERJ2GEJ103	M 10K OHM, 0.063W	
R1178	ERJ2GEJ103	M 10K OHM, 0.063W	
R1179	ERJ2GE0R00	M 0 OHM, 0.063W	
R1180	ERJ2GE0R00	M 0 OHM, 0.063W	
R1181	ERJ3GEYJ102	M 1K OHM,J,1/16W	
R1182	ERJ3GEYJ102	M 1K OHM,J,1/16W	
R1184	ERJ3EKF2201	RESISTOR	
R1185	ERJ2GEJ103	M 10K OHM, 0.063W	
R1186	ERJ2GEJ103	M 10K OHM, 0.063W	
R1188	ERJ2GE0R00	M 0 OHM, 0.063W	
R1189	ERJ3EKF1072	RESISTOR	
R1190	ERJ3GEYJ102	M 1K OHM,J,1/16W	
R1191	ERJ2GE0R00	M 0 OHM, 0.063W	
R1192	ERJ2GE0R00	M 0 OHM, 0.063W	



Ref. No.	Part No.	Part Name & Description	Remarks
R1193	ERJ2GEJ220	M 22 OHM, 0.063W	
R1194	ERJ2GEJ220	M 22 OHM, 0.063W	
R1198	ERJ2GEJ220	M 22 OHM, 0.063W	
R1199	ERJ2GEJ560	M 56 OHM, 0.063W	
R1200	ERJ2GEJ560	M 56 OHM, 0.063W	
R1201	ERJ2GE0R00	M 0 OHM, 0.063W	
R1202	ERJ2GEJ223	RESISTOR	
R1206	ERJ3GEYJ101	M 100 OHM, J, 1/16W	
R1207	ERJ2GEJ562	M 5.6KOHM, 0.063W	
R1208	EXB28V560J	RESISTOR ARRAY	
R1209	EXB28V560J	RESISTOR ARRAY	
R1210	EXB28V560J	RESISTOR ARRAY	
R1211	EXB28V560J	RESISTOR ARRAY	
R1212	EXB28V560J	RESISTOR ARRAY	
R1213	EXB28V560J	RESISTOR ARRAY	
R1214	EXB28V560J	RESISTOR ARRAY	
R1215	EXB28V560J	RESISTOR ARRAY	
R1216	EXB28V560J	RESISTOR ARRAY	
R1217	ERJ3GEYJ473	M 47K OHM, J, 1/16W	
R1218	ERJ3GEYJ473	M 47K OHM, J, 1/16W	
R1219	ERJ3GEYJ473	M 47K OHM, J, 1/16W	
R1220	ERJ3GEY0R00	M 0 OHM, 1/16W	
R1221	ERJ3GEY0R00	M 0 OHM, 1/16W	
R1222	ERJ3GEY0R00	M 0 OHM, 1/16W	
R1223	ERJ2GEJ560	M 56 OHM, 0.063W	
R1227	ERJ3GEYJ100	M 10 OHM, J, 1/16W	
R1228	ERJ3GEYJ100	M 10 OHM, J, 1/16W	
R1229	ERJ3GEYJ100	M 10 OHM, J, 1/16W	
R1233	ERJ2GEJ220	M 22 OHM, 0.063W	
R1236	ERJ2GEJ472	M 4.7KOHM, 0.063W	
R1239	ERJ2GEJ472	M 4.7KOHM, 0.063W	
R1240	EXB28V102J	RESISTOR ARRAY	
R1257	ERJ2GEJ560	M 56 OHM, 0.063W	
R1258	ERJ2GEJ220	M 22 OHM, 0.063W	
R1259	ERJ2GEJ681	M 680 OHM, 0.063W	
R1260	ERJ2GEJ220	M 22 OHM, 0.063W	
R1261	ERJ2GEJ681	M 680 OHM, 0.063W	
R1262	ERJ2GEJ681	M 680 OHM, 0.063W	
R1265	ERJ3GEYJ102	M 1K OHM, J, 1/16W	
R1267	ERJ2GEJ220	M 22 OHM, 0.063W	
R1268	ERJ2GEJ220	M 22 OHM, 0.063W	
R1269	ERJ2GEJ220	M 22 OHM, 0.063W	
R1270	ERJ2GEJ220	M 22 OHM, 0.063W	
R1271	ERJ3GEYJ220	M 22 OHM, J, 1/16W	
R1272	ERJ2GEJ220	M 22 OHM, 0.063W	
R1273	ERJ2GEJ220	M 22 OHM, 0.063W	
R1274	ERJ2GEJ220	M 22 OHM, 0.063W	
R1275	ERJ2GEJ103	M 10K OHM, 0.063W	
R1276	EXB28V560J	RESISTOR ARRAY	
R1277	ERJ2GEJ220	M 22 OHM, 0.063W	
R1278	ERJ2GEJ220	M 22 OHM, 0.063W	
R1279	EXB28V560J	RESISTOR ARRAY	
R1280	EXB28V560J	RESISTOR ARRAY	
R1281	EXB28V560J	RESISTOR ARRAY	
R1282	EXB28V560J	RESISTOR ARRAY	
R1283	EXB28V560J	RESISTOR ARRAY	
R1284	ERJ2GEJ472	M 4.7KOHM, 0.063W	
R1285	ERJ2GEJ3R0	M 3 OHM, 0.063W	
R1286	ERJ2GEJ3R0	M 3 OHM, 0.063W	
R1287	ERJ2GEJ3R0	M 3 OHM, 0.063W	
R1288	ERJ2GEJ3R0	M 3 OHM, 0.063W	
R1289	ERJ2GEJ3R0	M 3 OHM, 0.063W	
R1290	ERJ2GEJ3R0	M 3 OHM, 0.063W	
R1291	ERJ2GEJ3R0	M 3 OHM, 0.063W	
R1292	ERJ2GEJ3R0	M 3 OHM, 0.063W	
R1294	ERJ2GEJ103	M 10K OHM, 0.063W	
R1297	ERJ3GEYJ331	M 330 OHM, J, 1/16W	
R1298	EXB28V220J	RESISTOR ARRAY	
R1301	ERJ3GEYJ102	M 1K OHM, J, 1/16W	
R1302	ERJ3GEYJ473	M 47K OHM, J, 1/16W	
R1303	ERJ3GEYJ101	M 100 OHM, J, 1/16W	
R1304	ERJ3GEYJ103	M 10K OHM, J, 1/16W	
R1305	ERJ3GEYJ105	M 1M OHM, J, 1/16W	

Ref. No.	Part No.	Part Name & Description	Remarks
R1306	EXB28V220J	RESISTOR ARRAY	
R1307	ERJ3EKF1002	M 10KOHM, 1/16W	
R1308	ERJ3EKF1002	M 10KOHM, 1/16W	
R1309	ERJ3EKF1691	M1.69KOHM, 1/16W	
R1310	ERJ3GEYJ102	M 1K OHM, J, 1/16W	
R1314	ERJ3GEYJ221	M 220 OHM, J, 1/16W	
R1315	EXB28V102J	RESISTOR ARRAY	
R1317	ERJ3GEYJ103	M 10K OHM, J, 1/16W	
R1318	ERJ2GEJ220	M 22 OHM, 0.063W	
R1326	ERJ3GEYJ562	M 5.6KOHM, J, 1/16W	
R1334	ERJ2GEJ562	M 5.6KOHM, 0.063W	
R1347	ERJ2GEJ103	M 10K OHM, 0.063W	
R1348	ERJ2GEJ101	M 100 OHM, 0.063W	
R1353	EXB28V560J	RESISTOR ARRAY	
R1354	EXB28V560J	RESISTOR ARRAY	
R1355	ERJ2GEJ103	M 10K OHM, 0.063W	
R1363	ERJ2GEJ562	M 5.6KOHM, 0.063W	
R1364	ERJ2GEJ103	M 10K OHM, 0.063W	
R1365	ERJ6GEYJ100	M 10 OHM, J, 1/10W	
R1367	ERJ2GEJ562	M 5.6KOHM, 0.063W	
R1370	ERJ6GEYJ100	M 10 OHM, J, 1/10W	
R1371	ERJ2GEJ103	M 10K OHM, 0.063W	
R1372	ERJ2GEJ562	M 5.6KOHM, 0.063W	
R1373	ERJ6GEYJ100	M 10 OHM, J, 1/10W	
R1374	EXB28V560J	RESISTOR ARRAY	
R1375	ERJ6GEYJ560	M 56 OHM, J, 1/10W	
R1381	ERJ3EKF2202	RESISTOR	
R1382	EXB28V560J	RESISTOR ARRAY	
R1383	ERJ3GEYJ102	M 1K OHM, J, 1/16W	
R1384	EXB28V560J	RESISTOR ARRAY	
R1389	ERJ2GEJ333	M 33K OHM, 0.063W	
R1402	ERJ2GEJ101	M 100 OHM, 0.063W	
R1414	ERJ3GEYJ102	M 1K OHM, J, 1/16W	
R1415	ERJ3EKF5101	RESISTOR	
R1416	ERJ3GEYJ102	M 1K OHM, J, 1/16W	
R1417	ERJ3EKF2202	RESISTOR	
R1419	ERJ3GEYJ152	M 1.5KOHM, J, 1/16W	
R1444	ERJ2GEJ103	M 10K OHM, 0.063W	
R1445	ERJ3GEYJ103	M 10K OHM, J, 1/16W	
R1472	ERJ2GEJ220	RESISTOR	
R1505	ERJ3GEYJ104	M 100KOHM, J, 1/16W	
R1506	ERJ3GEYJ104	M 100KOHM, J, 1/16W	
R1507	ERJ3GEYJ104	M 100KOHM, J, 1/16W	
R1508	ERJ2GE0R00	M 0 OHM, 0.063W	
R1512	ERJ3GEYJ104	M 100KOHM, J, 1/16W	
R1513	ERJ3GEYJ273	M 27KOHM, 1/16W	
R1516	EXB28V390J	RESISTOR NETWORK	
R1517	EXB28V390J	RESISTOR NETWORK	
R1518	EXB28V390J	RESISTOR NETWORK	
R1519	ERJ3GEYJ151	M 150 OHM, J, 1/16W	
R1520	EXB28V390J	RESISTOR NETWORK	
R1521	EXB28V390J	RESISTOR NETWORK	
R1522	EXB28V390J	RESISTOR NETWORK	
R1523	EXB28V390J	RESISTOR NETWORK	
R1524	EXB28V390J	RESISTOR NETWORK	
R1525	EXB28V390J	RESISTOR NETWORK	
R1526	EXB28V390J	RESISTOR NETWORK	
R1527	EXB28V390J	RESISTOR NETWORK	
R1528	EXB28V390J	RESISTOR NETWORK	
R1530	ERJ3GEYJ390	METAL OXIDE RESISTOR	
R1531	ERJ3GEYJ390	METAL OXIDE RESISTOR	
R1532	ERJ3GEYJ390	METAL OXIDE RESISTOR	
R1533	ERJ3GEYJ390	METAL OXIDE RESISTOR	
R1534	ERJ3GEYJ390	METAL OXIDE RESISTOR	
R1535	ERJ3GEYJ390	METAL OXIDE RESISTOR	
R1536	ERJ3GEYJ560	M 56 OHM, J, 1/16W	
R1537	ERJ3GEYJ390	METAL OXIDE RESISTOR	
R1538	ERJ3GEYJ390	METAL OXIDE RESISTOR	
R1539	ERJ3GEYJ390	METAL OXIDE RESISTOR	
R1540	ERJ3GEYJ390	METAL OXIDE RESISTOR	
R1575	ERJ3GEYJ222	M 2.2KOHM, J, 1/16W	
R1576	ERJ3GEYJ222	M 2.2KOHM, J, 1/16W	
R1592	ERJ2GEJ103	M 10K OHM, 0.063W	

Ref. No.	Part No.	Part Name & Description	Remarks
R1600	ERJ3GEYJ470	M 47 OHM, J, 1/16W	
R1604	EXB38V680J	RESISTOR NETWORK	
R1606	ERJ3GEYJ680	M 68 OHM, J, 1/16W	
R1608	ERJ3GEYJ680	M 68 OHM, J, 1/16W	
R1610	ERJ3GEYJ680	M 68 OHM, J, 1/16W	
R1611	ERJ3GEYJ123	M 12K OHM, J, 1/16W	
R1612	EXB38V680J	RESISTOR NETWORK	
R1614	EXB38V680J	RESISTOR NETWORK	
R1616	EXB38V680J	RESISTOR NETWORK	
R1617	ERJ3GEYJ473	M 47K OHM, J, 1/16W	
R1618	EXB38V680J	RESISTOR NETWORK	
R1619	EXB28V390J	RESISTOR NETWORK	
R1620	EXB38V680J	RESISTOR NETWORK	
R1622	EXB38V680J	RESISTOR NETWORK	
R1624	ERJ3EKF5903	M 590KOHM, 1/16W	
R1626	EXB38V680J	RESISTOR NETWORK	
R1628	EXB38V680J	RESISTOR NETWORK	
R1629	ERJ3GEYJ222	M 2.2KOHM, J, 1/16W	
R1630	EXB38V680J	RESISTOR NETWORK	
R1632	ERJ3GEYJ102	M 1K OHM, J, 1/16W	
R1633	ERJ3GEYJ473	M 47K OHM, J, 1/16W	
R1634	ERJ3GEYJ680	M 68 OHM, J, 1/16W	
R1635	ERJ3GEYJ103	M 10K OHM, J, 1/16W	
R1636	ERJ3GEYJ473	M 47K OHM, J, 1/16W	
R1637	ERJ3GEYJ473	M 47K OHM, J, 1/16W	
R1638	ERJ3GEYJ473	M 47K OHM, J, 1/16W	
R1639	ERJ3GEYJ471	M 470 OHM, J, 1/16W	
R1640	ERJ3GEYJ680	M 68 OHM, J, 1/16W	
R1641	ERJ3EKF5621	M5.62KOHM, 1/16W	
R1642	ERJ3EKF5621	M5.62KOHM, 1/16W	
R1643	ERJ3EKF1101	M 1.1KOHM, 1/16W	
R1644	ERJ3EKF1101	M 1.1KOHM, 1/16W	
R1645	ERJ3EKF1101	M 1.1KOHM, 1/16W	
R1646	ERJ3GEYJ124	M 120KOHM, J, 1/16W	
R1647	ERJ2GE0R00	M 0 OHM, 0.063W	
R1648	ERJ2GE0R00	M 0 OHM, 0.063W	
R1650	ERJ3GEYJ680	M 68 OHM, J, 1/16W	
R1652	ERJ3GEYJ680	M 68 OHM, J, 1/16W	
R1653	ERJ3GEYJ472	M 4.7KOHM, J, 1/16W	
R1654	ERJ3EKF3923	M 392KOHM, 1/16W	
R1655	ERJ3EKF3923	M 392KOHM, 1/16W	
R1656	ERJ3EKF1803	M 180KOHM, 0.063W	
R1657	ERJ3GEYJ471	M 470 OHM, J, 1/16W	
R1658	ERJ3GEYJ105	M 1M OHM, J, 1/16W	
R1661	ERJ2GEJ103	M 10K OHM, 0.063W	
R1662	ERJ2GEJ103	M 10K OHM, 0.063W	
R1667	ERJ3GEYJ510	M 51 OHM, J, 1/16W	
R1668	ERJ3GEYJ510	M 51 OHM, J, 1/16W	
R1671	ERJ3GEYJ391	M 390 OHM, J, 1/16W	
R1673	ERJ3GEYJ561	M 560 OHM, J, 1/16W	
R1674	ERJ2GE0R00	M 0 OHM, 0.063W	
R1675	ERJ2GE0R00	M 0 OHM, 0.063W	
R1676	ERJ2GE0R00	M 0 OHM, 0.063W	
R1677	ERJ2GE0R00	M 0 OHM, 0.063W	
R1678	ERJ2GE0R00	M 0 OHM, 0.063W	
R1679	ERJ2GE0R00	M 0 OHM, 0.063W	
R1680	ERJ2GEJ472	M 4.7KOHM, 0.063W	
R1681	ERJ2GE0R00	M 0 OHM, 0.063W	
R1706	ERJ3GEYJ102	M 1K OHM, J, 1/16W	
R1720	ERJ2GEJ103	M 10K OHM, 0.063W	
R1721	EXB38V680J	RESISTOR NETWORK	
R1722	EXB38V680J	RESISTOR NETWORK	
R1723	ERJ3GEYJ680	M 68 OHM, J, 1/16W	
R1724	ERJ3GEYJ680	M 68 OHM, J, 1/16W	
R1725	ERJ3GEYJ680	M 68 OHM, J, 1/16W	
R1726	ERJ3GEYJ680	M 68 OHM, J, 1/16W	
R1727	ERJ3GEYJ680	M 68 OHM, J, 1/16W	
R1728	ERJ3GEYJ680	M 68 OHM, J, 1/16W	
R2001	ERJ3EKF5601	M 5.6KOHM, 1/16W	
R2002	ERJ3EKF1871V	RESISTOR	
R2003	ERJ3EKF3741	RESISTOR	
R2004	ERJ3GEYJ102	M 1K OHM, J, 1/16W	
R2005	ERJ3EKF1132	RESISTOR	

Ref. No.	Part No.	Part Name & Description	Remarks
R2006	ERJ3EKF5601	M 5.6KOHM, 1/16W	
R2007	ERJ3EKF1871V	RESISTOR	
R2008	ERJ3EKF3741	RESISTOR	
R2009	ERJ3EKF1132	RESISTOR	
R2010	ERJ3GEYJ470	M 47 OHM, J, 1/16W	
R2011	ERJ3GEYJ472	M 4.7KOHM, J, 1/16W	
R2012	ERJ3GEY0R00	M 0 OHM, 1/16W	
R2013	ERJ3GEYJ101	M 100 OHM, J, 1/16W	
R2014	EXB28VR000	RESISTOR ARRAY	
R2021	ERJ3GEYJ101	M 100 OHM, J, 1/16W	
R2022	ERJ3GEYJ101	M 100 OHM, J, 1/16W	
R2023	ERJ3GEYJ101	M 100 OHM, J, 1/16W	
R2024	ERJ3GEYJ101	M 100 OHM, J, 1/16W	
R2025	ERJ3GEYJ331	M 330 OHM, J, 1/16W	
R2026	ERJ3GEYJ331	M 330 OHM, J, 1/16W	
R2027	ERJ3GEYJ331	M 330 OHM, J, 1/16W	
R2028	ERJ3GEYJ182	M 1.8KOHM, J, 1/16W	
R2029	ERJ3GEYJ102	M 1K OHM, J, 1/16W	
R2030	ERJ3GEYJ470	M 47 OHM, J, 1/16W	
R2201	EXB38V220J	RESISTOR ARRAY	
R9101	D0AE106JA179	RESISTOR	△
R9102	D0A1825JA015	RESISTOR	△
R9601	ERX2SJR47E	M 0.47OHM, J, 2W	
R9630	ERJ14YJ3R3U	M 3.3 OHM, J, 1/4W	
R9631	ERJ8GEYJ220	M 68 OHM, J, 1/4W	
R9632	ERJ14YJ5R6U	M 5.6 OHM, J, 1/4W	
R9633	ERJ8GEYJ100	M 10 OHM, J, 1/4W	
R9634	ERJ8GEYJ120	RESISTOR (B-PCB)	
R9636	ERJ14YJ3R3U	M 3.3 OHM, J, 1/4W	
R9637	ERJ8GEYJ220	M 68 OHM, J, 1/4W	
R9638	ERJ14YJ5R6U	M 5.6 OHM, J, 1/4W	
R9639	ERJ8GEYJ100	M 10 OHM, J, 1/4W	
R9640	ERJ8GEYJ120	RESISTOR (B-PCB)	
R9653	DOXGR22J0004	RESISTOR (B-PCB)	
[CAPACITORS]			
C1001	F2G0J3300014	CAPACITOR	
C1002	EEEB1A101P	CAPACITOR	
C1003	ECJ0EB1C103K	C 0.01UF, 16V	
C1004	F2G0J3300014	CAPACITOR	
C1005	ECJ0EB1C103K	C 0.01UF, 16V	
C1006	F2G0J3300014	CAPACITOR	
C1007	ECJ0EF1C104Z	C 0.1UF, 16V	
C1008	ECJ0EB1C103K	C 0.01UF, 16V	
C1009	F2G0J3300014	CAPACITOR	
C1010	ECJ0EB1C103K	C 0.01UF, 16V	
C1011	ECJ0EB1C103K	C 0.01UF, 16V	
C1012	ECJ0EB1H102K	C 1000PF, 50V	
C1013	ECJ0EB1H102K	C 1000PF, 50V	
C1014	F2G0J3300014	CAPACITOR	
C1015	ECJ0EF1C104Z	C 0.1UF, 16V	
C1016	ECJ0EF1C104Z	C 0.1UF, 16V	
C1017	ECJ0EF1C104Z	C 0.1UF, 16V	
C1018	ECJ0EF1C104Z	C 0.1UF, 16V	
C1019	ECJ0EF1C104Z	C 0.1UF, 16V	
C1020	ECJ0EF1C104Z	C 0.1UF, 16V	
C1021	ECJ0EF1C104Z	C 0.1UF, 16V	
C1022	ECJ1VF1A225Z	CAPACITOR	
C1023	ECJ1VF1A225Z	CAPACITOR	
C1024	ECJ0EF1C104Z	C 0.1UF, 16V	
C1027	ECJ0EF1C104Z	C 0.1UF, 16V	
C1028	ECJ0EF1C104Z	C 0.1UF, 16V	
C1029	ECJ0EF1C104Z	C 0.1UF, 16V	
C1030	ECJ0EF1C104Z	C 0.1UF, 16V	
C1032	ECJ0EF1C104Z	C 0.1UF, 16V	
C1033	ECJ1VB1C393K	CAPACITOR	
C1034	ECJ2FF1A106Z	C 10UF, 10V	
C1035	ECJ0EF1C104Z	C 0.1UF, 16V	
C1036	ECJ0EF1C104Z	C 0.1UF, 16V	
C1037	ECJ0EB1C103K	C 0.01UF, 16V	
C1038	ECJ0EB1C103K	C 0.01UF, 16V	
C1039	ECJ0EF1C104Z	C 0.1UF, 16V	

Ref. No.	Part No.	Part Name & Description	Remarks
C1040	ECJ0EF1C104Z	C 0.1UF, 16V	
C1041	ECJ0EF1C104Z	C 0.1UF, 16V	
C1042	ECJ0EF1C104Z	C 0.1UF, 16V	
C1043	ECJ0EF1C104Z	C 0.1UF, 16V	
C1044	ECJ1VB0J824K	CAPACITOR	
C1045	ECJ0EF1C104Z	C 0.1UF, 16V	
C1046	ECJ0EF1C104Z	C 0.1UF, 16V	
C1047	ECJ0EF1C104Z	C 0.1UF, 16V	
C1048	ECJ0EF1C104Z	C 0.1UF, 16V	
C1049	ECJ0EF1C104Z	C 0.1UF, 16V	
C1050	ECJ0EF1C104Z	C 0.1UF, 16V	
C1051	ECJ0EF1C104Z	C 0.1UF, 16V	
C1052	ECJ0EF1C104Z	C 0.1UF, 16V	
C1053	ECJ0EF1C104Z	C 0.1UF, 16V	
C1054	ECJ0EF1C104Z	C 0.1UF, 16V	
C1055	ECJ0EF1C104Z	C 0.1UF, 16V	
C1056	ECJ0EF1C104Z	C 0.1UF, 16V	
C1057	ECJ0EF1C104Z	C 0.1UF, 16V	
C1058	ECJ2FF1A106Z	C 10UF, 10V	
C1059	ECJ2FF1A106Z	C 10UF, 10V	
C1061	ECJ0EF1C104Z	C 0.1UF, 16V	
C1062	ECJ2FF1A106Z	C 10UF, 10V	
C1063	ECJ0EB1H102K	C 1000PF, 50V	
C1064	ECJ2FF1A106Z	C 10UF, 10V	
C1065	ECJ0EF1C104Z	C 0.1UF, 16V	
C1066	ECJ0EF1C104Z	C 0.1UF, 16V	
C1067	ECJ0EF1C104Z	C 0.1UF, 16V	
C1068	ECJ0EF1C104Z	C 0.1UF, 16V	
C1069	ECJ0EF1C104Z	C 0.1UF, 16V	
C1070	ECJ0EF1C104Z	C 0.1UF, 16V	
C1071	ECJ0EB1C103K	C 0.01UF, 16V	
C1072	ECJ1VB1C823K	C 0.82UF, 16V	
C1073	ECJ2FF1A106Z	C 10UF, 10V	
C1074	ECJ1VB1C823K	C 0.82UF, 16V	
C1075	ECJ0EB1C103K	C 0.01UF, 16V	
C1076	ECJ0EB1H102K	C 1000PF, 50V	
C1079	ECJ0EF1C104Z	C 0.1UF, 16V	
C1081	ECJ0EF1C104Z	C 0.1UF, 16V	
C1082	ECJ0EB1H102K	C 1000PF, 50V	
C1083	EEEB0G101R	E 100UF, 4V	
C1084	F2G1C2200010	CAPACITOR	
C1086	ECJ0EB1C822K	CAPACITOR	
C1090	ECJ0EF1C104Z	C 0.1UF, 16V	
C1098	ECJ2FF1A106Z	C 10UF, 10V	
C1101	ECJ0EF1C104Z	C 0.1UF, 16V	
C1103	F2G1C2200010	CAPACITOR	
C1104	ECJ1VF1E105Z	CAPACITOR	
C1105	EEEB0G101R	E 100UF, 4V	
C1106	ECJ2FF1A106Z	C 10UF, 10V	
C1107	ECJ2FF1A106Z	C 10UF, 10V	
C1110	ECJ0EF1C104Z	C 0.1UF, 16V	
C1111	ECJ0EF1C104Z	C 0.1UF, 16V	
C1113	ECJ0EF1C104Z	C 0.1UF, 16V	
C1115	F2G1C2200010	CAPACITOR	
C1116	ECJ0EF1C104Z	C 0.1UF, 16V	
C1118	ECJ0EF1C104Z	C 0.1UF, 16V	
C1119	ECJ1VC1H331J	CAPACITOR	
C1120	ECJ0EF1C104Z	C 0.1UF, 16V	
C1121	ECJ0EF1C104Z	C 0.1UF, 16V	
C1123	ECJ1VF1E105Z	CAPACITOR	
C1124	ECJ0EF1C104Z	C 0.1UF, 16V	
C1125	ECJ0EF1C104Z	C 0.1UF, 16V	
C1126	ECJ0EF1C104Z	C 0.1UF, 16V	
C1127	ECJ0EF1C104Z	C 0.1UF, 16V	
C1128	ECJ0EF1C104Z	C 0.1UF, 16V	
C1129	ECJ0EF1C104Z	C 0.1UF, 16V	
C1130	ECJ0EF1C104Z	C 0.1UF, 16V	
C1133	ECJ1VF1E105Z	CAPACITOR	
C1134	ECJ0EF1C104Z	C 0.1UF, 16V	
C1135	ECJ0EF1C104Z	C 0.1UF, 16V	
C1139	ECJ0EB1H102K	C 1000PF, 50V	
C1141	ECJ1VF1A225Z	CAPACITOR	
C1143	ECJ0EF1C104Z	C 0.1UF, 16V	

Ref. No.	Part No.	Part Name & Description	Remarks
C1144	ECJ1VC1H100C	C 10PF, 50V	
C1145	ECJ1VC1H100C	C 10PF, 50V	
C1146	EEEB0G101R	E 100UF, 4V	
C1148	ECJ0EF1C104Z	C 0.1UF, 16V	
C1149	ECJ0EF1C104Z	C 0.1UF, 16V	
C1152	ECJ0EB1H102K	C 1000PF, 50V	
C1153	ECJ0EF1C104Z	C 0.1UF, 16V	
C1154	ECJ0EF1C104Z	C 0.1UF, 16V	
C1159	ECJ0EF1C104Z	C 0.1UF, 16V	
C1160	ECJ0EF1C104Z	C 0.1UF, 16V	
C1161	ECJ0EF1C104Z	C 0.1UF, 16V	
C1162	ECJ0EF1C104Z	C 0.1UF, 16V	
C1163	ECJ0EF1C104Z	C 0.1UF, 16V	
C1164	ECJ0EF1C104Z	C 0.1UF, 16V	
C1165	ECJ0EF1C104Z	C 0.1UF, 16V	
C1166	ECJ0EF1C104Z	C 0.1UF, 16V	
C1167	ECJ0EF1C104Z	C 0.1UF, 16V	
C1168	ECJ0EF1C104Z	C 0.1UF, 16V	
C1169	ECJ0EF1C104Z	C 0.1UF, 16V	
C1170	ECJ0EF1C104Z	C 0.1UF, 16V	
C1171	ECJ0EB1H102K	C 1000PF, 50V	
C1172	ECJ0EB1H102K	C 1000PF, 50V	
C1173	ECJ0EB1H102K	C 1000PF, 50V	
C1176	ECJ0EF1C104Z	C 0.1UF, 16V	
C1177	ECJ0EF1C104Z	C 0.1UF, 16V	
C1178	ECJ0EF1C104Z	C 0.1UF, 16V	
C1179	ECJ0EF1C104Z	C 0.1UF, 16V	
C1180	ECJ0EF1C104Z	C 0.1UF, 16V	
C1181	ECJ0EF1C104Z	C 0.1UF, 16V	
C1186	ECJ0EF1C104Z	C 0.1UF, 16V	
C1187	ECJ0EF1C104Z	C 0.1UF, 16V	
C1188	F2G0J4700010	CAPACITOR	
C1189	ECJ1VF1A225Z	CAPACITOR	
C1190	F2G0J4700010	CAPACITOR	
C1191	ECJ1VF1A105Z	C 1UF, Z, 50V	
C1192	ECJ0EF1C104Z	C 0.1UF, 16V	
C1193	ECJ0EB1H102K	C 1000PF, 50V	
C1194	ECJ1VF1A225Z	CAPACITOR	
C1196	ECJ0EF1C104Z	C 0.1UF, 16V	
C1197	ECJ2FF1A106Z	C 10UF, 10V	
C1198	ECJ0EF1C104Z	C 0.1UF, 16V	
C1199	ECJ0EB1H102K	C 1000PF, 50V	
C1200	ECJ0EF1C104Z	C 0.1UF, 16V	
C1201	ECJ0EF1C104Z	C 0.1UF, 16V	
C1202	ECJ0EF1C104Z	C 0.1UF, 16V	
C1203	ECJ0EF1C104Z	C 0.1UF, 16V	
C1204	ECJ0EF1C104Z	C 0.1UF, 16V	
C1205	ECJ0EF1C104Z	C 0.1UF, 16V	
C1206	ECJ0EF1C104Z	C 0.1UF, 16V	
C1207	ECJ0EF1C104Z	C 0.1UF, 16V	
C1209	ECJ0EF1C104Z	C 0.1UF, 16V	
C1210	ECJ0EF1C104Z	C 0.1UF, 16V	
C1211	ECJ0EF1C104Z	C 0.1UF, 16V	
C1212	ECJ0EF1C104Z	C 0.1UF, 16V	
C1213	ECJ0EF1C104Z	C 0.1UF, 16V	
C1214	ECJ0EF1C104Z	C 0.1UF, 16V	
C1215	ECJ0EF1C104Z	C 0.1UF, 16V	
C1216	ECJ0EF1C104Z	C 0.1UF, 16V	
C1217	ECJ0EF1C104Z	C 0.1UF, 16V	
C1219	ECJ0EF1C104Z	C 0.1UF, 16V	
C1220	ECJ0EF1C104Z	C 0.1UF, 16V	
C1221	ECJ0EF1C104Z	C 0.1UF, 16V	
C1223	ECJ2FF1A106Z	C 10UF, 10V	
C1232	ECJ0EF1C104Z	C 0.1UF, 16V	
C1237	ECJ0EF1C104Z	C 0.1UF, 16V	
C1238	ECJ0EF1C104Z	C 0.1UF, 16V	
C1239	ECJ0EF1C104Z	C 0.1UF, 16V	
C1243	ECJ0EF1C104Z	C 0.1UF, 16V	
C1245	ECJ0EF1C104Z	C 0.1UF, 16V	
C1247	ECJ1VC1H100C	C 10PF, 50V	
C1251	ECJ0EF1C104Z	C 0.1UF, 16V	
C1252	ECJ0EF1C104Z	C 0.1UF, 16V	
C1253	ECJ0EF1C104Z	C 0.1UF, 16V	

Ref. No.	Part No.	Part Name & Description	Remarks
C1254	ECJ0EF1C104Z	C 0.1UF, 16V	
C1255	ECJ0EF1C104Z	C 0.1UF, 16V	
C1256	ECJ0EF1C104Z	C 0.1UF, 16V	
C1257	ECJ0EF1C104Z	C 0.1UF, 16V	
C1258	ECJ0EF1C104Z	C 0.1UF, 16V	
C1259	ECJ0EF1C104Z	C 0.1UF, 16V	
C1260	ECJ0EF1C104Z	C 0.1UF, 16V	
C1261	ECJ0EF1C104Z	C 0.1UF, 16V	
C1262	ECJ0EF1C104Z	C 0.1UF, 16V	
C1263	ECJ0EF1C104Z	C 0.1UF, 16V	
C1264	ECJ0EF1C104Z	C 0.1UF, 16V	
C1265	ECJ0EF1C104Z	C 0.1UF, 16V	
C1266	ECJ0EF1C104Z	C 0.1UF, 16V	
C1267	ECJ0EF1C104Z	C 0.1UF, 16V	
C1268	ECJ0EF1C104Z	C 0.1UF, 16V	
C1269	ECJ0EF1C104Z	C 0.1UF, 16V	
C1270	ECJ0EF1C104Z	C 0.1UF, 16V	
C1271	EEHBOG101R	E 100UF, 4V	
C1315	ECJ0EF1C104Z	C 0.1UF, 16V	
C1348	ECJ0EF1C104Z	C 0.1UF, 16V	
C1349	ECJ0EF1C104Z	C 0.1UF, 16V	
C1350	ECJ1VC1H100C	C 10PF, 50V	
C1351	ECJ0EF1C104Z	C 0.1UF, 16V	
C1352	ECJ0EF1C104Z	C 0.1UF, 16V	
C1369	ECJ0EF1C104Z	C 0.1UF, 16V	
C1370	ECJ0EF1C104Z	C 0.1UF, 16V	
C1371	F2G1E4R70007	CAPACITOR	
C1373	F2G1E4R70007	CAPACITOR	
C1374	EEHBLA101P	CAPACITOR	
C1375	EEHBOG101R	E 100UF, 4V	
C1376	EEHBOG101R	E 100UF, 4V	
C1378	ECJ0EF1C104Z	C 0.1UF, 16V	
C1379	ECJ2FF1C475Z	CAPACITOR	
C1387	ECJ1VF1A105Z	C 1UF, Z, 50V	
C1401	ECJ1VF1A105Z	C 1UF, Z, 50V	
C1402	ECJ0EB1H102K	C 1000PF, 50V	
C1409	ECJ0EB1H102K	C 1000PF, 50V	
C1430	ECJ0EF1C104Z	C 0.1UF, 16V	
C1431	ECJ0EF1C104Z	C 0.1UF, 16V	
C1432	ECJ0EF1C104Z	C 0.1UF, 16V	
C1433	F2G1E3300010	CAPACITOR	
C1434	F2G1E3300010	CAPACITOR	
C1435	F2G1E3300010	CAPACITOR	
C1436	ECJ0EF1C104Z	C 0.1UF, 16V	
C1437	ECJ0EF1C104Z	C 0.1UF, 16V	
C1438	ECJ0EF1C104Z	C 0.1UF, 16V	
C1439	F2G1E3300010	CAPACITOR	
C1440	F2G1E3300010	CAPACITOR	
C1441	F2G1E3300010	CAPACITOR	
C1442	ECJ0EF1C104Z	C 0.1UF, 16V	
C1443	ECJ0EF1C104Z	C 0.1UF, 16V	
C1444	ECJ0EF1C104Z	C 0.1UF, 16V	
C1445	ECJ1VF1H333Z	C 0.033UF, 50V	
C1446	ECJ0EF1C104Z	C 0.1UF, 16V	
C1447	ECJ0EF1C104Z	C 0.1UF, 16V	
C1448	ECJ0EF1C104Z	C 0.1UF, 16V	
C1449	ECJ0EF1C104Z	C 0.1UF, 16V	
C1450	ECJ0EF1C104Z	C 0.1UF, 16V	
C1451	ECJ0EF1C104Z	C 0.1UF, 16V	
C1452	ECJ0EF1C104Z	C 0.1UF, 16V	
C1453	ECJ0EF1C104Z	C 0.1UF, 16V	
C1454	ECJ0EF1C104Z	C 0.1UF, 16V	
C1455	ECJ0EF1C104Z	C 0.1UF, 16V	
C1456	ECJ0EF1C104Z	C 0.1UF, 16V	
C1457	ECJ0EF1C104Z	C 0.1UF, 16V	
C1458	ECJ0EF1C104Z	C 0.1UF, 16V	
C1459	ECJ0EF1C104Z	C 0.1UF, 16V	
C1460	ECJ0EF1C104Z	C 0.1UF, 16V	
C1461	ECJ0EF1C104Z	C 0.1UF, 16V	
C1462	ECJ0EF1C104Z	C 0.1UF, 16V	
C1463	ECJ0EF1C104Z	C 0.1UF, 16V	
C1464	ECJ0EF1C104Z	C 0.1UF, 16V	
C1465	ECJ0EB1H102K	C 1000PF, 50V	

Ref. No.	Part No.	Part Name & Description	Remarks
C1467	ECJ0EF1C104Z	C 0.1UF, 16V	
C1468	ECJ0EF1C104Z	C 0.1UF, 16V	
C1469	ECJ0EF1C104Z	C 0.1UF, 16V	
C1470	ECJ0EF1C104Z	C 0.1UF, 16V	
C1473	ECJ0EF1C104Z	C 0.1UF, 16V	
C1474	ECJ0EF1C104Z	C 0.1UF, 16V	
C1475	ECJ0EF1C104Z	C 0.1UF, 16V	
C1476	ECJ0EF1C104Z	C 0.1UF, 16V	
C1477	ECJ0EF1C104Z	C 0.1UF, 16V	
C1478	ECJ0EF1C104Z	C 0.1UF, 16V	
C1479	EEHBOG101R	E 100UF, 4V	
C1480	ECJ0EF1C104Z	C 0.1UF, 16V	
C1481	ECJ0EB1H102K	C 1000PF, 50V	
C1492	ECJ0EF1C104Z	C 0.1UF, 16V	
C1493	F2G0J3300014	CAPACITOR	
C1495	F2G1E3300010	CAPACITOR	
C1497	ECJ1VF1E104Z	C 0.1UF, Z, 25V	
C1498	ECJ0EF1C104Z	C 0.1UF, 16V	
C1499	ECJ0EF1C104Z	C 0.1UF, 16V	
C1500	ECJ0EF1C104Z	C 0.1UF, 16V	
C1505	ECJ0EF1C104Z	C 0.1UF, 16V	
C1506	ECJ0EF1C104Z	C 0.1UF, 16V	
C1507	F2G1E3300010	CAPACITOR	
C1532	F2G1E3300010	CAPACITOR	
C1533	ECJ1VF1E105Z	CAPACITOR	
C1534	ECJ1VB1H152K	CAPACITOR	
C1535	ECJ1VF1A105Z	C 1UF, Z, 50V	
C1536	ECJ0EF1C104Z	C 0.1UF, 16V	
C1541	ECJ0EF1C104Z	C 0.1UF, 16V	
C1542	ECJ0EF1C104Z	C 0.1UF, 16V	
C1543	ECJ0EF1C104Z	C 0.1UF, 16V	
C1545	ECJ0EF1C104Z	C 0.1UF, 16V	
C1551	EEHBOG101R	E 100UF, 4V	
C1552	ECJ0EF1C104Z	C 0.1UF, 16V	
C1555	ECJ0EF1C104Z	C 0.1UF, 16V	
C1556	F2G1A3300007	CAPACITOR	
C1581	ECJ0EF1C104Z	C 0.1UF, 16V	
C1591	ECJ0EB1H102K	C 1000PF, 50V	
C1602	ECJ1VC1H221J	CAPACITOR	
C1604	ECJ0EF1C104Z	C 0.1UF, 16V	
C1605	F2G0J4700010	CAPACITOR	
C1606	F2G1C2200010	CAPACITOR	
C1607	ECJ1VF1C474Z	CAPACITOR	
C1608	ECJ1VF1C474Z	CAPACITOR	
C1610	ECJ1VF1E105Z	CAPACITOR	
C1611	ECJ1VF1E105Z	CAPACITOR	
C1613	ECJ1VF1E105Z	CAPACITOR	
C1614	ECJ1VF1E105Z	CAPACITOR	
C1615	ECJ1VF1E105Z	CAPACITOR	
C1616	ECJ1VF1E105Z	CAPACITOR	
C1618	ECJ1VB1H472K	C 4700PF, K, 50V	
C1619	ECJ2VB1C224K	CAPACITOR	
C1620	ECJ2VB1C224K	CAPACITOR	
C1621	ECJ1VF1A225Z	CAPACITOR	
C1622	ECJ0EB1H102K	C 1000PF, 50V	
C1623	ECJ1VB1H821K	CAPACITOR	
C1625	ECJ1VB1H332K	CAPACITOR	
C1626	ECJ0EF1C104Z	C 0.1UF, 16V	
C1627	ECJ1VF1A225Z	CAPACITOR	
C1628	ECJ0EB1H102K	C 1000PF, 50V	
C1629	ECJ0EF1C104Z	C 0.1UF, 16V	
C1630	F2G0J4700010	CAPACITOR	
C1632	ECJ0EB1H102K	C 1000PF, 50V	
C1633	ECJ1VF1A225Z	CAPACITOR	
C1636	ECJ0EB1H102K	C 1000PF, 50V	
C1637	ECJ1VF1A225Z	CAPACITOR	
C1638	ECJ1VF1A225Z	CAPACITOR	
C1639	ECJ0EB1H102K	C 1000PF, 50V	
C1640	ECJ0EB1H102K	C 1000PF, 50V	
C1641	ECJ1VF1A225Z	CAPACITOR	
C1642	ECJ0EB1H102K	C 1000PF, 50V	
C1643	ECJ0EB1H102K	C 1000PF, 50V	
C1644	ECJ1VF1A225Z	CAPACITOR	

Ref. No.	Part No.	Part Name & Description	Remarks
C1645	ECJ1VF1A225Z	CAPACITOR	
C1646	ECJ0EF1C104Z	C 0.1UF, 16V	
C1647	ECJ0EF1C104Z	C 0.1UF, 16V	
C1648	ECJ0EF1C104Z	C 0.1UF, 16V	
C1649	ECJ0EF1C104Z	C 0.1UF, 16V	
C1650	ECJ0EF1C104Z	C 0.1UF, 16V	
C1651	ECJ0EF1C104Z	C 0.1UF, 16V	
C1652	ECJ0EF1C104Z	C 0.1UF, 16V	
C1653	ECJ0EF1C104Z	C 0.1UF, 16V	
C1654	ECJ0EF1C104Z	C 0.1UF, 16V	
C1655	ECJ0EF1C104Z	C 0.1UF, 16V	
C1656	ECJ0EF1C104Z	C 0.1UF, 16V	
C1657	ECJ0EF1C104Z	C 0.1UF, 16V	
C1658	ECJ0EF1C104Z	C 0.1UF, 16V	
C1659	ECJ0EF1C104Z	C 0.1UF, 16V	
C1660	ECJ0EF1C104Z	C 0.1UF, 16V	
C1661	F2G0J4700010	CAPACITOR	
C1662	ECJ0EF1C104Z	C 0.1UF, 16V	
C1663	F2G0J4700010	CAPACITOR	
C1664	ECJ0EF1C104Z	C 0.1UF, 16V	
C1665	ECJ0EF1C104Z	C 0.1UF, 16V	
C1666	ECJ0EF1C104Z	C 0.1UF, 16V	
C1667	ECJ0EF1C104Z	C 0.1UF, 16V	
C1668	ECJ0EF1C104Z	C 0.1UF, 16V	
C1669	ECJ0EF1C104Z	C 0.1UF, 16V	
C1670	ECJ0EF1C104Z	C 0.1UF, 16V	
C1695	ECJ0EF1C104Z	C 0.1UF, 16V	
C1696	ECJ0EF1C104Z	C 0.1UF, 16V	
C1697	ECJ0EF1C104Z	C 0.1UF, 16V	
C1698	ECJ0EF1C104Z	C 0.1UF, 16V	
C1699	ECJ0EF1C104Z	C 0.1UF, 16V	
C1700	ECJ1VF1A225Z	CAPACITOR	
C1701	ECJ0EF1C104Z	C 0.1UF, 16V	
C2001	ECJ0EF1C104Z	C 0.1UF, 16V	
C2002	ECJ0EF1C104Z	C 0.1UF, 16V	
C2003	ECJ2FF1A106Z	C 10UF, 10V	
C2022	ECJ0EF1C104Z	C 0.1UF, 16V	
C2024	ECJ0EF1C104Z	C 0.1UF, 16V	
C2025	ECJ2FF1A106Z	C 10UF, 10V	
C9101	ECQU2A104MLA	CAPACITOR	△
C9102	F1BAH102A024	CAPACITOR	△
C9103	F1BAH102A024	CAPACITOR	△
C9104	F1BAH221A020	CAPACITOR	△
C9105	F1BAH221A020	CAPACITOR	△
C9603	F0CZ24740003	CAPACITOR (B-PCB)	
C9610	F0C2E1050008	CAPACITOR (B-PCB)	
C9617	F0C3C4720003	CAPACITOR	
C9618	F0C2J1540007	CAPACITOR (B-PCB)	
C9619	F0C2J1540007	CAPACITOR (B-PCB)	
		[OTHERS]	
A1	K1MY36BA0193	36P CONNECTOR	
A2	K1MY36BA0193	36P CONNECTOR	
A3	K1MY36BA0193	36P CONNECTOR	
A4	K1KA07BA0086	7P CONNECTOR	
A5	K1KA02BA0047	2P CONNECTOR	
A6	K1KA15BA0051	15P CONNECTOR	
A7	K1KA02BA0047	2P CONNECTOR	
A8	K1MY12BA0008	12P CONNECTOR	
A10	K1KA03BA0086	3P CONNECTOR	
A15	K1KA03BA0047	3P CONNECTOR	
A16	K1KA03BA0047	3P CONNECTOR	
A17	K1KA03BA0047	3P CONNECTOR	
A18	K1KA04BA0047	4P CONNECTOR	
A20	K1KA03BA0047	3P CONNECTOR	
A23	K1KA09BA0086	9P CONNECTOR	
A24	K1KA09BA0014	9P CONNECTOR	
H1	K1KA09AA0200	9P CONNECTOR	
H2	K1MY06BA0007	6P CONNECTOR	
K1	K1KA02A00626	2P CONNECTOR	
M1	K1KA06BA0014	6P CONNECTOR	
R1	K1KB07AA0087	7P CONNECTOR	

Ref. No.	Part No.	Part Name & Description	Remarks
S1	K1MN12BA0116	12P CONNECTOR	
S2	K1KA02BA0047	2P CONNECTOR	
S3	K1KA07A00170	7P CONNECTOR	
CF2002	D4CC1103A037	THERMISTOR	
F9101-1	EYF52BCY	FUSE HOLDER	
F9101-2	EYF52BCY	FUSE HOLDER	
F9101	K5D632BNA005	FUSE	△
HE2201	B4ABA0000009	HALL DEVICE	
JK1001	K1CB205B0007	S-VIDEO/VIDEO IN TERMINAL	
JK1002	K2HA306B0103	Y PB PR IN	
JK1003	K1FA119E0004	HDMI IN	
JK1005	K1FB115B0102	RGB1 IN TERMINAL	
JK1006	K1CB208BA002	RS232C I/F TERMINAL	
JK9101	K2AZ3B000002	TERMINAL	△
JS1004	ERJ6GEY0R00	M 0 OHM, J, 1/10W	
JS1005	ERJ6GEY0R00	M 0 OHM, J, 1/10W	
JS1012	ERJ6GEY0R00	M 0 OHM, J, 1/10W	
JS1013	ERJ6GEY0R00	M 0 OHM, J, 1/10W	
JS1020	ERJ6GEY0R00	M 0 OHM, J, 1/10W	
JS1021	ERJ6GEY0R00	M 0 OHM, J, 1/10W	
JS1022	ERJ6GEY0R00	M 0 OHM, J, 1/10W	
PC2001	B3JB00000023	PFOTO COUPLER	
RM2021	B3RAD0000126	REMOTE RECEIVER PLATE	
S9602	A9BZ00000013	SPARK GAP (B-PCB)	
SW2001	EVQPLHA15	SWITCH	
SW2002	EVQPLHA15	SWITCH	
SW2003	EVQPLHA15	SWITCH	
SW2004	EVQPLHA15	SWITCH	
SW2005	EVQPLHA15	SWITCH	
SW2006	EVQPLHA15	SWITCH	
SW2007	EVQPLHA15	SWITCH	
SW2008	EVQPLHA15	SWITCH	
SW2009	EVQPLHA15	SWITCH	
SW9101	K0AAKA000014	SWITCH	△
SW9601	K0BDB0000081	SWITCH (B-PCB)	
T9604	G4F3A0000004	TRANS (B-PCB)	△
X1001	H0J286500027	CRYSTAL	
X1003	H0J350500001	CRYSTAL	
X1005	H0J829400001	CRYSTAL	
ZA2001	K4CZ01000027	TERMINAL	
ZA2002	K4CZ01000027	TERMINAL	
ZA2021	K4CZ01000027	TERMINAL	
ZA9101	K9ZZ00000424	TERMINAL	
RTL	TNPA4047	CIRCUIT BOARD (K)	
RTL	TNPA4064	CIRCUIT BOARD (S)	
RTL	TNPA4065	CIRCUIT BOARD (H)	
RTL	TNPA4075	CIRCUIT BOARD (R)	
RTL	TNPA4106	CIRCUIT BOARD (M)	
RTL	TXANP01VKD3	CIRCUIT BOARD (A)	
	ETXMM636MCH	POWER UNIT (MACO)	
	TXANP02VKD3	BALLAST UNIT	