

## SECTION 2 EXPLODED VIEWS

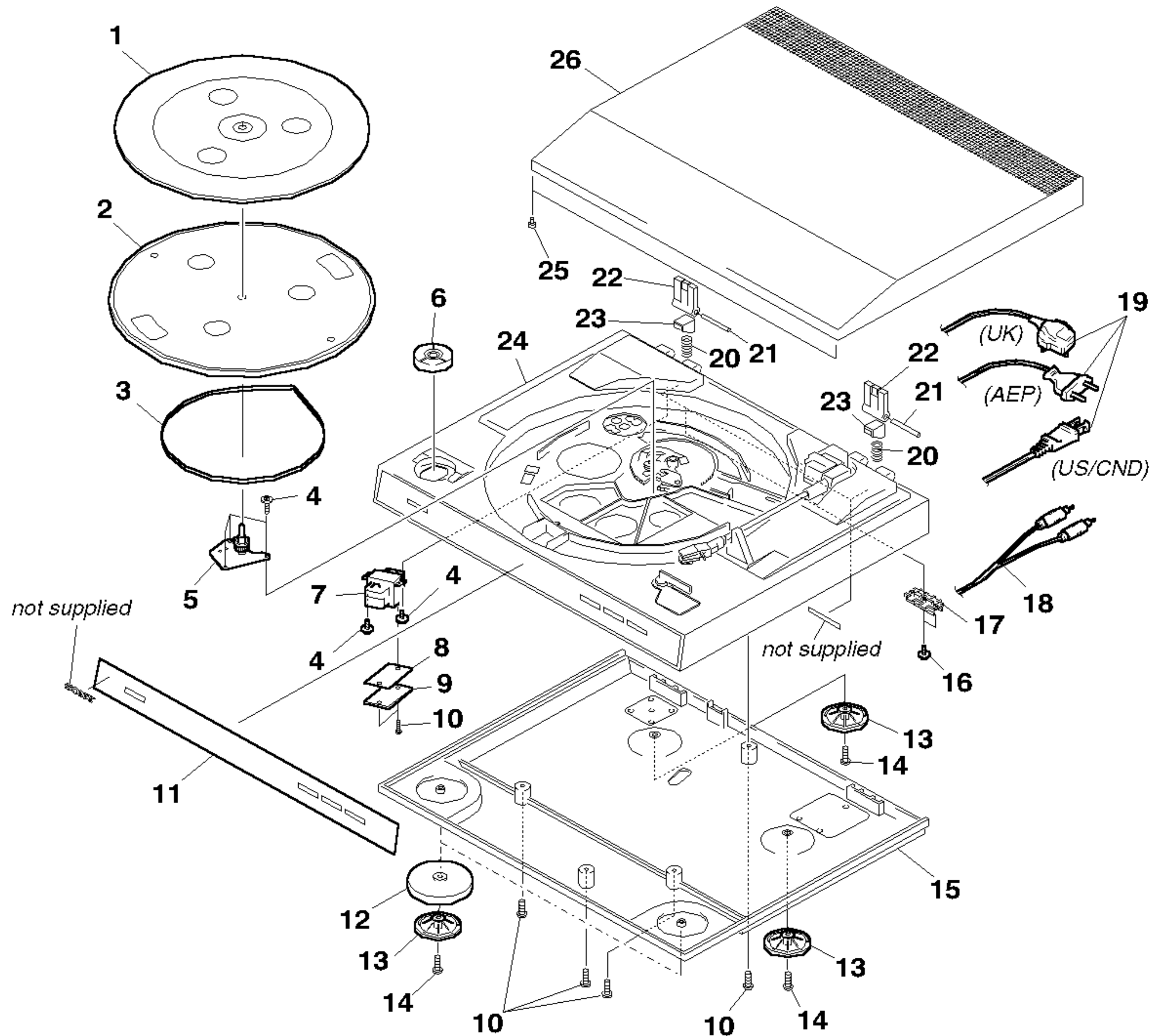
**NOTE:**

- Items marked "\*" are not stocked since they are seldom required for routine service. Some delay should be anticipated when ordering these items.
- The mechanical parts with no reference number in the exploded views are not supplied.

- Hardware (# mark) list and accessories and packing materials are given in the last of this parts list.
- Abbreviation  
CND : Canadian

The components identified by mark  $\triangle$  or dotted line with mark  $\triangle$  are critical for safety. Replace only with part number specified.

### 2-1. STEREO TURNTABLE SYSTEM-1



Ref. No.	Part No.	Description	Remark	Ref. No.	Part No.	Description	Remark
1	4-215-488-01	PLATTER MAT		15	4-215-519-01	BOTTOM PLATE	
2	4-215-491-01	PLATTER		16	4-215-533-01	SCREW	
3	4-215-492-01	BELT		17	4-215-508-01	PRESS SET	
4	4-215-531-01	SCREW		18	1-790-382-11	CORD, CONNECTION	
5	4-215-494-01	PLATTER SHAFT SET ASSY		$\triangle$ 19	1-575-975-11	CORD, POWER (CND)	
6	4-215-489-01	45 PRM ADAPTAR		$\triangle$ 19	1-783-531-51	CORD, POWER (US)	
$\triangle$ 7	1-433-956-11	TRANSFORMER, POWER (US/CND)		$\triangle$ 19	1-575-651-61	CORD, POWER (AEP)	
$\triangle$ 7	1-433-957-11	TRANSFORMER, POWER (AEP/UK)		$\triangle$ 19	1-696-572-21	CORD, POWER (UK)	
8	4-215-551-01	INSULATOR		20	4-215-574-01	SPRING	
* 9	A-4405-712-A	POWER BOARD, COMPLETE		21	4-215-573-01	PIN	
10	4-215-534-01	SCREW		22	4-215-571-01	HINGE	
11	4-220-775-01	PLATE, ORNAMENTAL		23	4-215-572-01	INSER SLIDER	
12	4-215-552-01	FOOT RING		24	4-215-518-01	PANEL	
13	4-215-560-01	RUBBER FOOT		25	4-215-559-01	RUBBER FOOT FOR DUST COVER	
14	4-215-536-01	SCREW		26	4-215-517-01	DUST COVER	