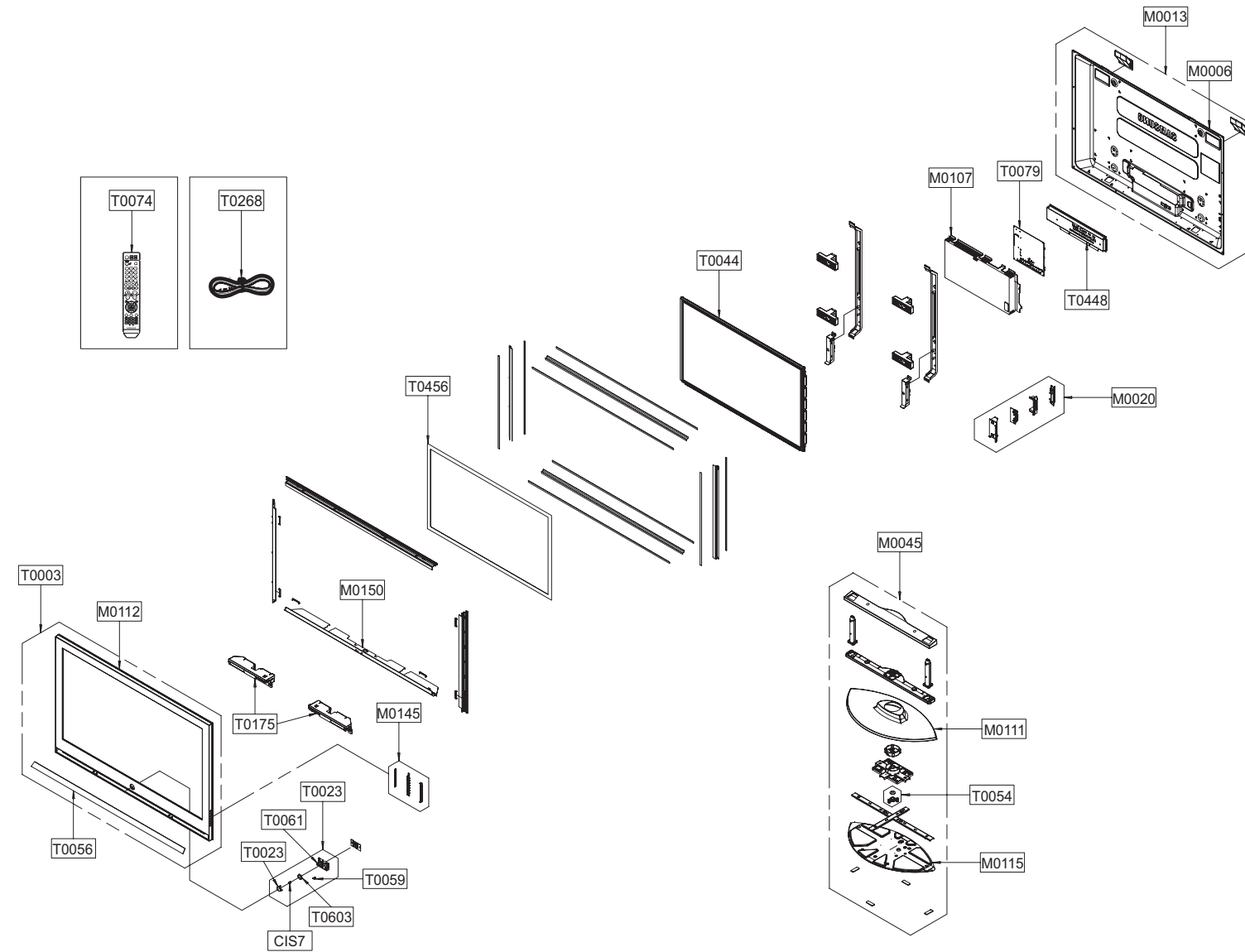


4. Exploded View & Part List

4-1 PS42P7HX/XEC

You can search for the updated part code through ITSELF web site.
 URL: <http://itself.sec.samsung.co.kr>



Loc. No.	Code No.	Description	Specification	Q'ty	SA/SNA	Remark
CIS7	AA61-60003B	SPRING ETC-CS	-,SUS304,-,-,OD11.2,N7,OD1	1	S.N.A	
M0006	BN63-02383D	COVER-REAR	42Q7,PCM,T0.5,MMS,PAL	1	S.N.A	
M0013	BN96-03160E	ASSY COVER P-REAR	42P7,PCM,T0.5,MMS,PAL	1	S.A	
M0020	BN96-04184B	ASSY BOARD P-SIDE AV	ALPS,SJ06-01-015B,S	1	S.A	
M0045	BN96-03156A	ASSY STAND P-SET	42P7,ABS HB,SF0507,BK23	1	S.A	
M0107	BN61-02315J	BRACKET-PCB	P7,SECC,T0.8,Alps,Himalaya	1	S.N.A	
M0111	BN63-02376A	COVER-STAND	42P7,ABS+PMMA,HB,BK23,HI/GLOS	1	S.N.A	
M0112	BN63-02374D	COVER-FRONT	42Q7/P7H,ABS,HB,XEC,BK23	1	S.N.A	
M0115	BN61-02334A	BRACKET-STAND	42P7,SECC,2.0	1	S.N.A	
M0145	BN96-02784B	ASSY BOARD P-FUNCTION	CADILLAC,SJ06-01-0	1	S.A	
M0150	BN96-03947A	ASSY BRACKET P-FILTER BOTTOM	42Q7/P7,AL6	1	S.N.A	
T0003	BN96-03951P	ASSY COVER P-FRONT	42P7(HQ),Europe,ABS H	1	S.A	
T0023	BN96-03173A	ASSY COVER P-KNOB POWER	42P7,ABS	1	S.A	
T0023	BN64-00459A	KNOB POWER	42P7,PC,Violet	1	S.N.A	
T0044	BN96-04174A	ASSY PDP MODULE P	42HD,W1,1024*768,compl	1	S.A	
T0054	BN96-03164A	ASSY HINGE P	42P7	1	S.N.A	
T0056	BN63-02386B	COVER-DECORATION	42P7,PC SHEET,T0.5,Blac	1	S.N.A	
T0059	BN64-00461A	INDICATOR LED	42P7,PMMA	1	S.N.A	
T0061	BN64-00462A	WINDOW-REMOCON	42P7,ACRYL,5%	1	S.N.A	
T0074	BN59-00530A	REMOCON	Mosel,TM87A,SAMSUNG,55key,38mArm	1	S.A	
T0079	BN94-01034A	ASSY PCB MISC-MAIN	PS-42P7H,EU,D74E,ALPS	1	S.A	
T0175	BN96-03273A	ASSY SPEAKER P	8ohm,P7,15W,2Way,3speaker	1	S.A	
T0268	3903-000145	CBF-POWER CORD	DT,EU,FP3/YES,U(IEC C13-R	1	S.A	
T0448	BN96-03144K	ASSY BRACKET P-TERMINAL	P7,Europe,SECC T	1	S.N.A	
T0456	BN67-00178A	GLASS-FILTER EMI	42" P7 No/ B/C,MMF,T=44	1	S.A	
T0603	BN64-00460A	KNOB-DECORATION POWER	42P7,ABS,HB,AL	1	S.N.A	