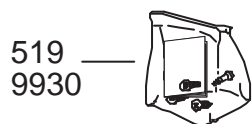
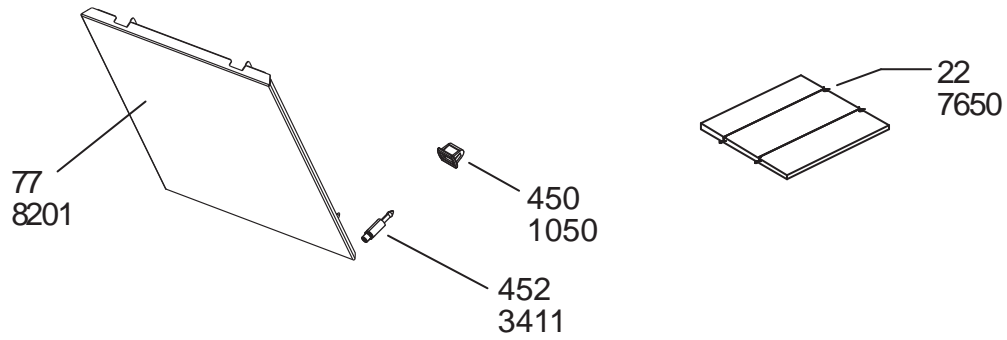
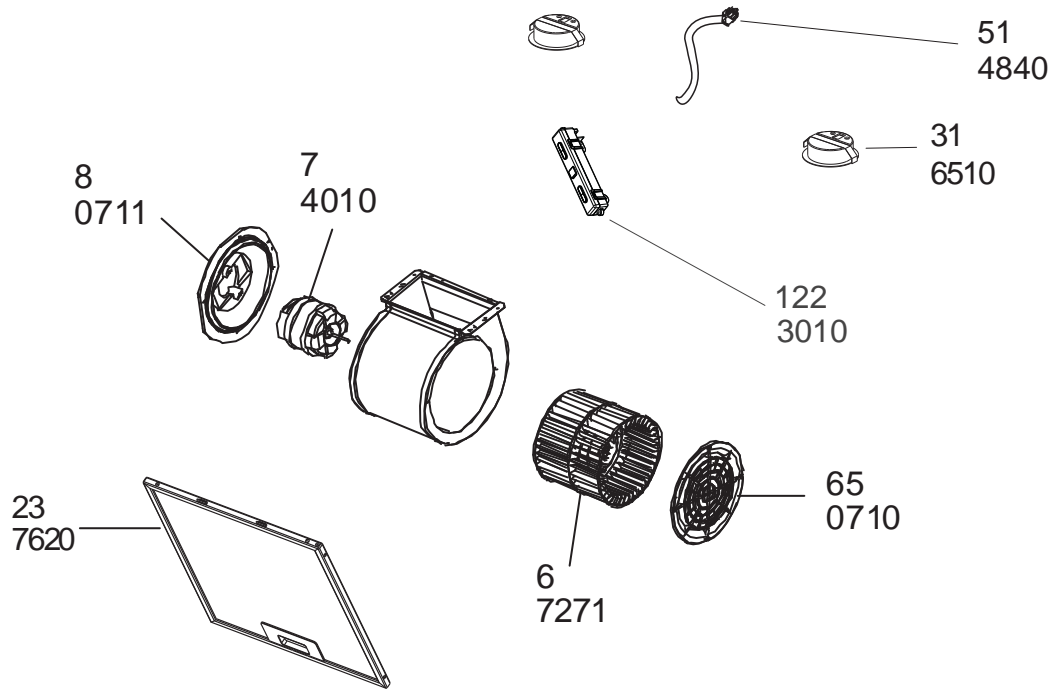
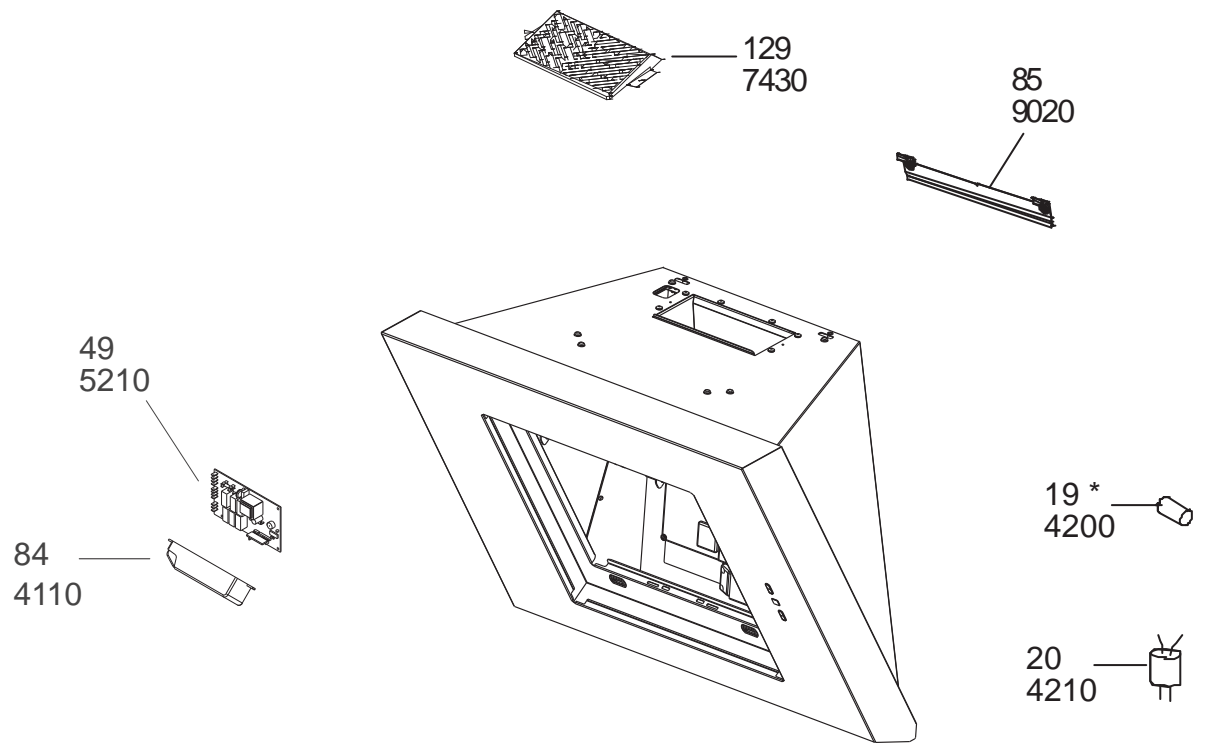


# SPARE PARTS BILL OF MATERIAL

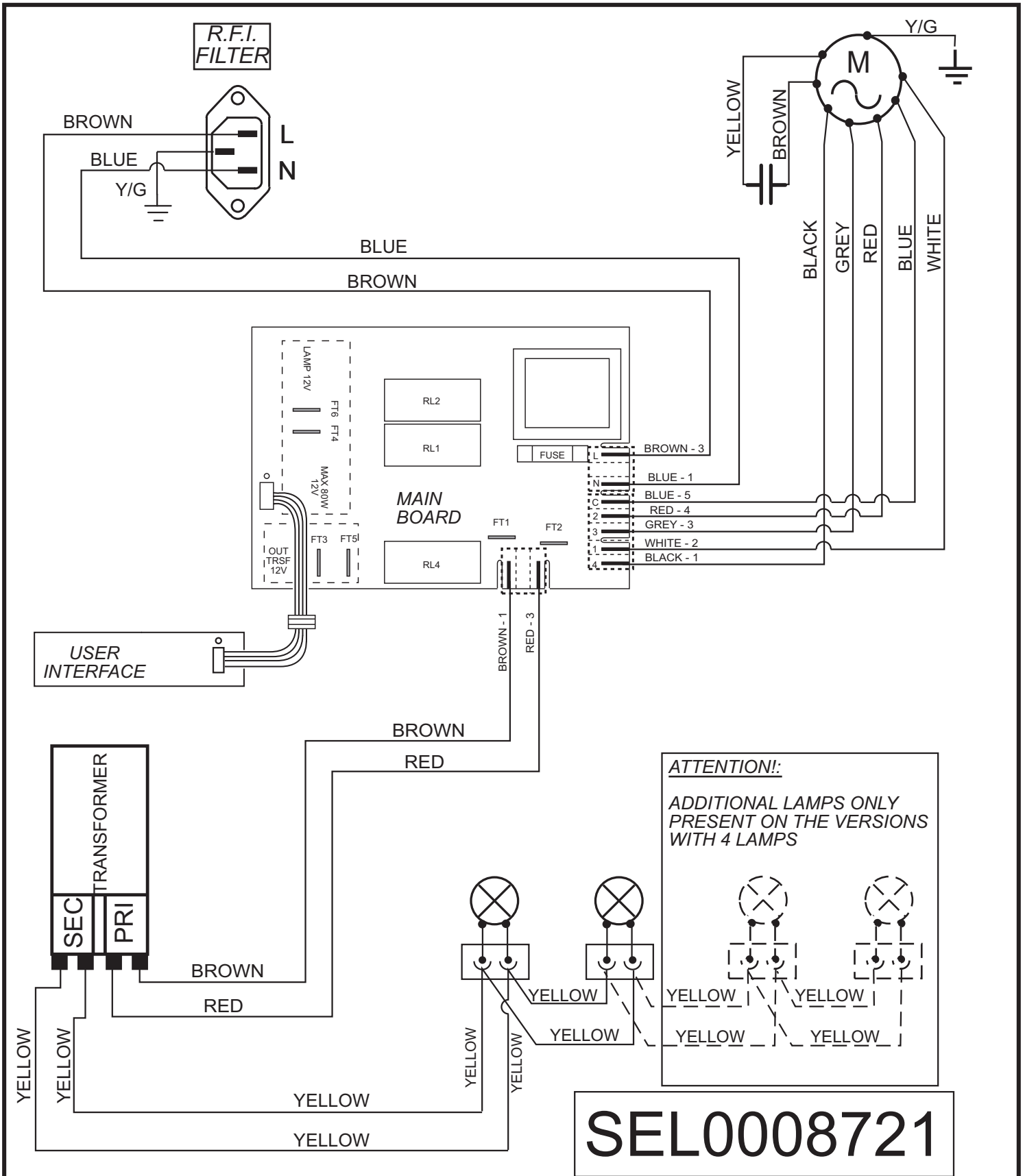
Code	Technical Description	Customer	Plant	Exploded No.
PRF0006872	ELEKTRA NG S40 TC3I+LC IX/F/80	ELICA S.P.A.	P151	\$2762
E-Number / 12NC	Commercial Description	Application	Electrical scheme No.	ECN
208248304401	ELEKTRA IX/F/80	Ricambi	SEL0008721	137087

ID	ID 2	Code	Description Descrizione	UM	Qty	Predecessor Code	Valid from
8	0711	SUP0007226	MOTOR SUPPORTING	EA	1,000		
65	0711	PZ005B	EXHAUSTING CONNECTION	EA	1,000		
450	1050	IF01EB	INSERT	EA	2,000		
122	3010	CRU0006749	COMPLETE CONTROL PANEL	EA	1,000		
452	3411	PRN0017860	CUFF INSERT	EA	2,000		
7	4010	S408601	MOTOR	EA	1,000		
84	4110	2023BV	TRANSFORM	EA	1,000		
19	4200	2029Y/R	CAPACITOR	EA	1,000		
20	4210	2710AV	NOISE FILTER	EA	1,000		
51	4840	AN03802A	WIRING	EA	1,000		
49	5210	ECB0054044	ELECTRONIC VARIATOR	EA	1,000		
31	6510	2006Q	LAMP	EA	2,000		
6	7271	GN01WA	FAN WHEEL	EA	1,000		
129	7430	PZ05XA	FILTRING CONNECTION	EA	1,000		
23	7620	GRI0009219	GREASE FILTER	EA	1,000		
22	7650	F00439	CHARCOAL FILTER	EA	1,000		
77	8201	PAR000708501AA	FRONT PANEL	EA	1,000		
85	9020	STA0008311A	HOOK WITH SCREW AND PLUG	EA	1,000		
519	9930	DOC0008295	DOCUMENTATION PACK	EA	1,000		



**\$2762**

see also bill of material



DATA DATE	MODIF. N. MODIF. NO.	DESCRIZIONE MODIFICA MODIFICATION DESCRIPTION	DESEGNATO DRAWN BY	APPROVATO APPROVED
MODELLO MODEL <b>ELEKTRA</b>		PARTICOLARE DETAIL <b>Schema elettrico / Wiring diagram</b>	DESEGNO N. DRAWING NO. <b>SEL0008721</b>	DATA DATE
MATERIALE MATERIAL <b>Carta bianca adesiva 55x55 / Sticky white paper 55x55</b>		DESEGNO DRAWN BY <b>Salvucci L.</b>	<b>25/02/10</b>	
 <b>UFFICIO TECNICO</b> TECHNICAL DEPARTMENT		COLORE STAMPA PRINT COLOUR <b>Nero / Black</b>	APPROVATO APPROVED 	ULTIMA EMISS. LAST EDITION <b>25/02/10</b>
FORM. A - 4		LA RIPRODUZIONE O LA CESSIONE DEL PRESENTE DISEGNO DEVONO ESSERE AUTORIZZATE DALLA "ELICA" SPA ANY REPRODUCTION OR TRANSFER OF THE PRESENT DRAWING MUST BE AUTHORIZED BY "ELICA" SPA	SOSTITUITO DAL DIS. N. REPLACED BY DRAWING NO. SOSTITUISCE IL DIS. N. IT REPLACES DRAWING NO.	