

SECTION 6 EXPLODED VIEWS

NOTE:

- XX, -X mean standardized parts, so they may have some differences from the original one.
- Items marked "*" are not stocked since they are seldom required for routine service. Some delay should be anticipated when ordering these items.
- The mechanical parts with no reference number in the exploded views are not supplied.

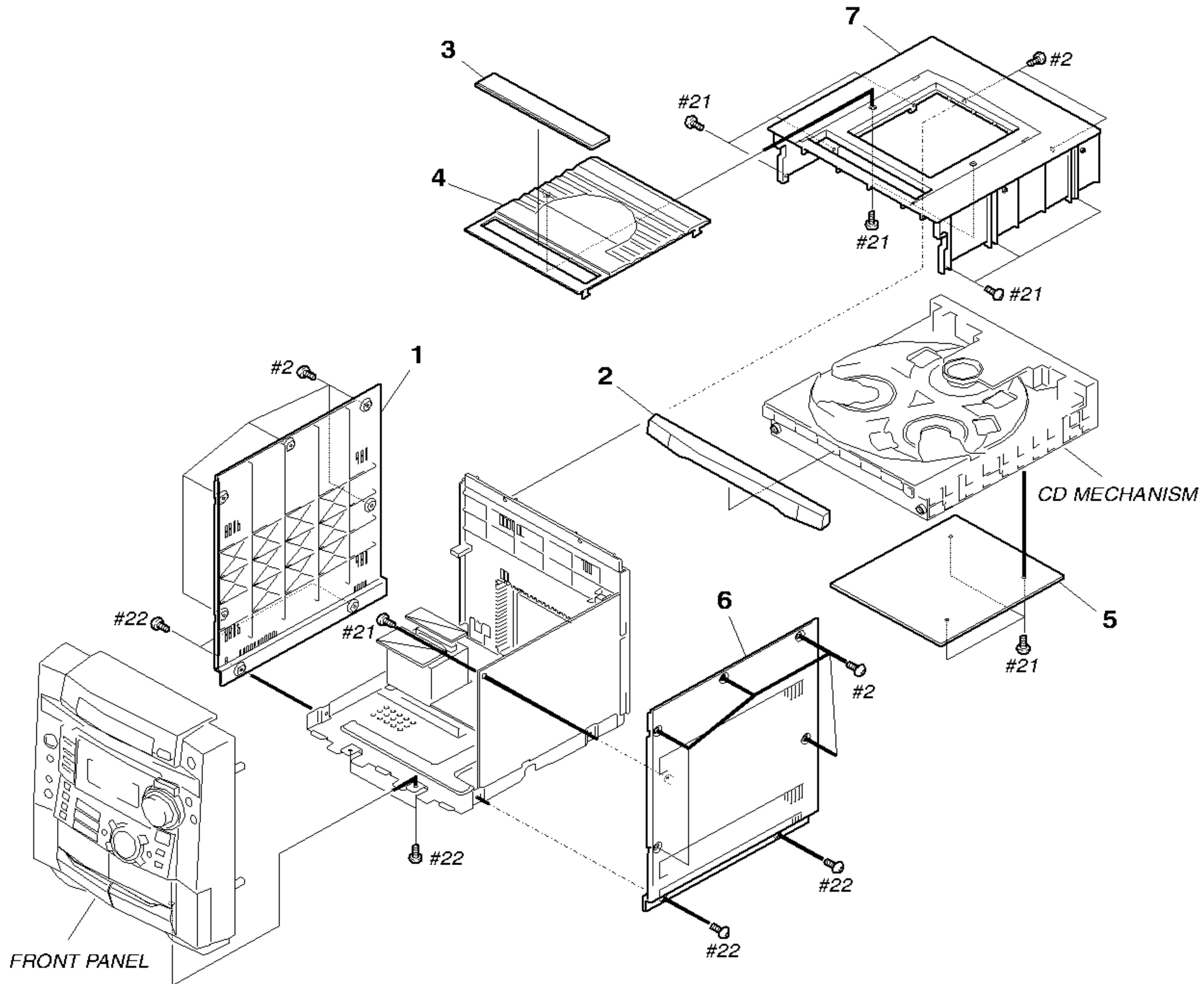
- Color Indication of Appearance Parts
Example :
KNOB, BALANCE (WHITE) ... (RED)
 ↑ ↑
 Parts Color Cabinet's Color
- Accessories and packing materials and hardware (# mark) list are given in the last of this parts list.

- Abbreviation
CND :Canadian

The components identified by mark \triangle or dotted line with mark \triangle are critical for safety. Replace only with part number specified.

Les composants identifiés par une marque \triangle sont critiques pour la sécurité. Ne les remplacer que par une pièce portant le numéro spécifié.

6-1. CABINET SECTION



Ref. No.	Part No.	Description	Remarks	Ref. No.	Part No.	Description	Remarks
1	3-049-109-01	PLATE(L), SIDE		* 5	A-3323-548-A	CD BOARD, COMPLETE	
2	3-049-101-01	DOOR,CD		6	3-049-110-01	PLATE(R), SIDE	
3	3-049-113-01	LENS,DISC		7	3-221-490-01	CASE, TOP	
4	3-049-112-01	CABINET, TOP					