

5-3. Mechanism Assembly

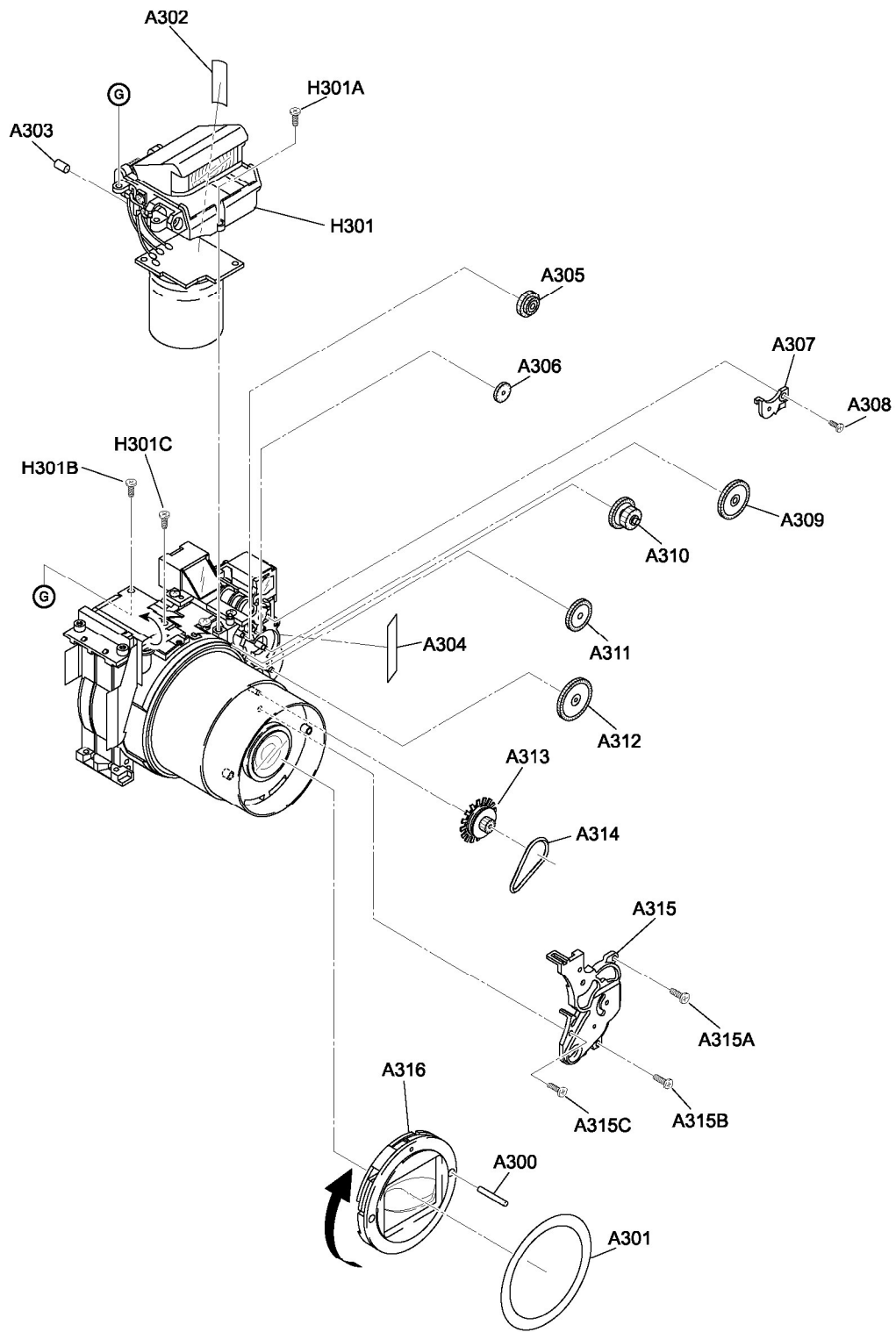


Fig. 5-3