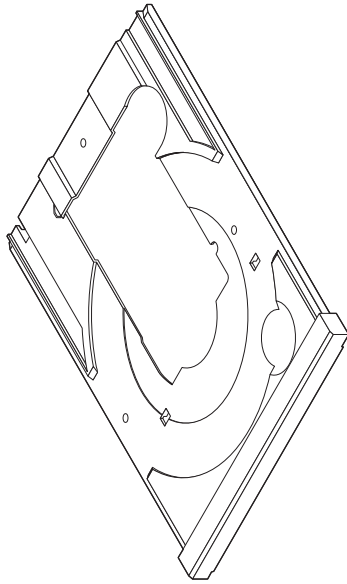
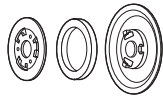
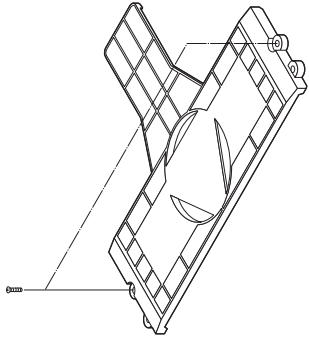
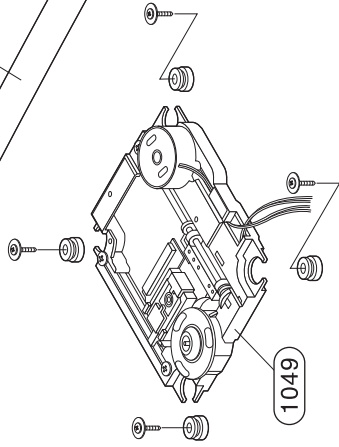
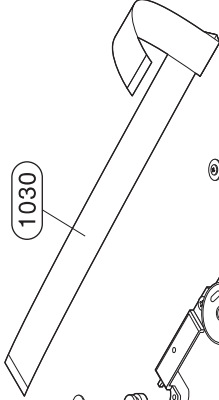


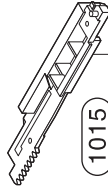
A00



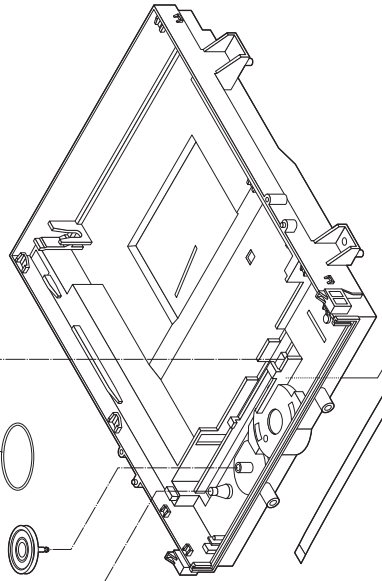
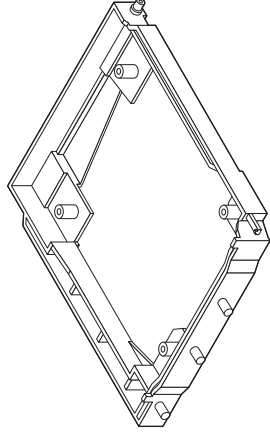
1030



1049



1015



A005



3. PACKING ACCESSORY SECTION

