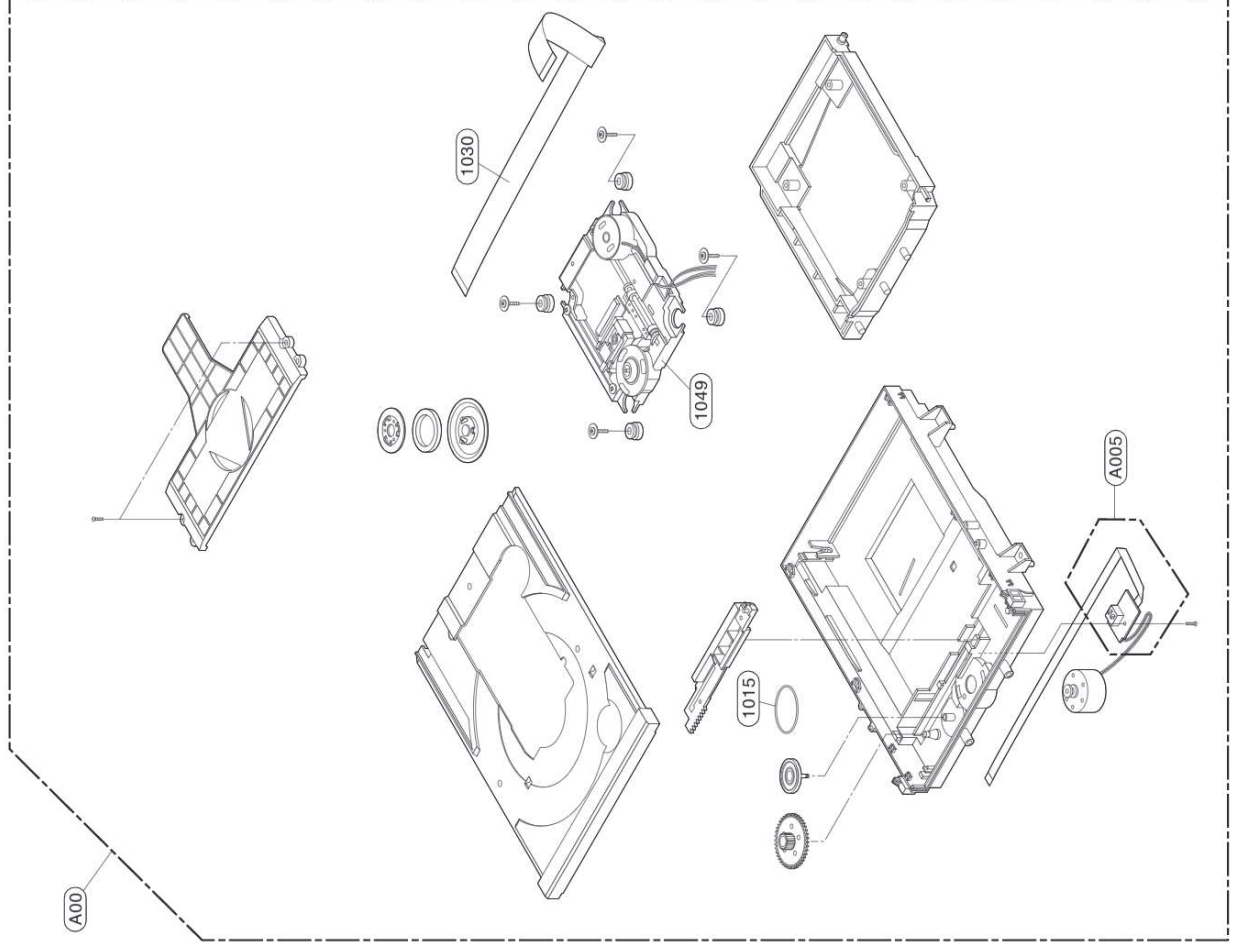




## 2. DECK MECHANISM SECTION (DM19D)



### 3. PACKING ACCESSORY SECTION

