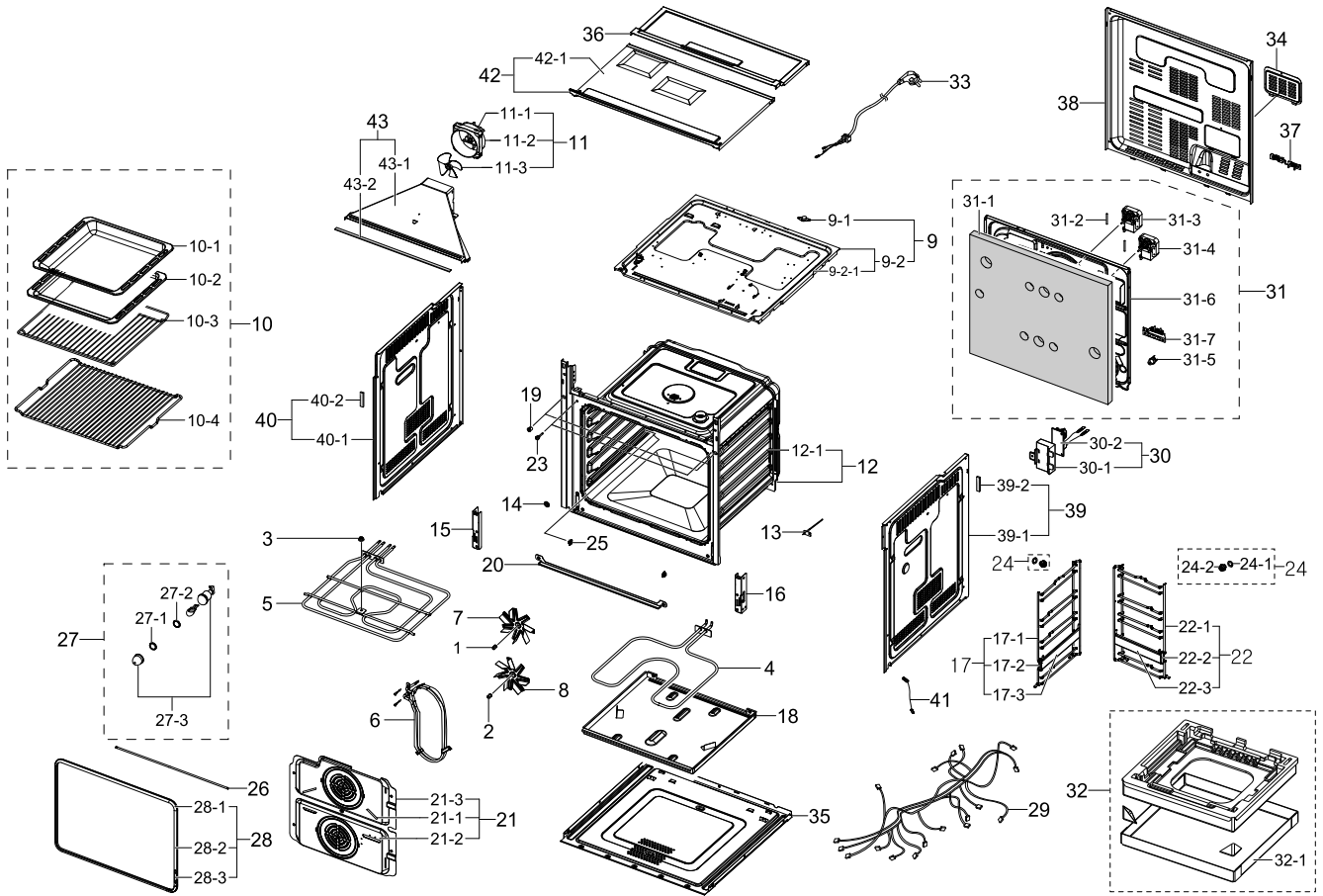


1. NV70F3581LS/EG

Exploded View



Parts List

No.	Lvl.	Loc.	Material Code	Description & Specification	SNA	Qty.
1	1	X107	6021-001208	NUT-HEXAGON CAP; M4,NI PLT,SWRCH10A	SNA	1
2	1	X107	6021-001211	NUT-HEXAGON CAP; M4,NI PLT,SWRCH10A,LEFT	SNA	1
3	1	H024	DE60-30016A	NUT-FLANGE; MSWR-SWRM,MSWR10	SA	2
4	1	M224	DG47-00031A	HEATER SHEATH-BOTTOM; CLASSIC2,600W,230V	SA	1
5	1	M007	DG47-00032A	HEATER SHEATH-GRILL; CLASSIC2,2400W,230V,	SA	1
6	1	H123	DG47-00011A	HEATER SHEATH-CONVECTION; SHC-BF62E,BF62C	SC	1
7	1	H057	DG67-00001B	FAN-CONVECTION UPPER; BT62FQBPST,ALCOT,Pi	SA	1
8	1	H058	DG67-00011B	FAN-CONVECTION LOWER; BT62FQBPST,ALCOT,Pi	SA	1
9	1	P214	DG94-00088A	ASSY BRACKET UPPER; CLASSIC2,-,-,-	SA	1
9-1	2	M032	DG47-00010B	THERMOSTAT; NT-103NC,250V,15A,1205,0,25	SA	1

Exploded Views and Parts List

No.	Lvl.	Loc.	Material Code	Description & Specification	SNA	Qty.
9-2	2	P219	DG94-00096A	ASSY BRACKET UPPER-SUB; BF641FST,GI,T0.5,	SA	1
9-2-1	3	M003	DG61-00262A	BRACKET-UPPER; BF641FST,GI-SGCC,T0.5,CLAS	SNA	1
10	1		DG98-01027C	ASSY PACKING ACCESSORY; BTS14D4T/BWT,Tray	SNA	1
10-1	2	T111	DG63-00011A	TRAY-BAKING B; BT63BSST,SPP,T0.6,W660,L47	SA	1
10-2	2	T112	DG63-00012A	TRAY-BAKING A; BT63BSST,SPP,T0.6,W550,L47	SA	1
10-3	2	T030	DG75-01026A	RACK-WIRE; BQ3N3T020,MSWR-SWRM,W461,L352.	SA	1
10-4	2	M272	DG59-00004A	RACK-WIRE ROAST; BT63BSST,MSWR,W422, L289	SA	1
11	1	M258	DG96-00063A	ASSY MOTOR-COOLING; CLASSIC2,-,-,-,-	SA	1
11-1	2	M259	DG31-00010A	MOTOR AC FAN; SMF-621EA,2,230V,50Hz,16W,2	SA	1
11-2	2	M022	DG63-00122A	COVER-BLOWER; BF641FST,PA66,BLK,GF15%, CL	SA	1
11-3	2	M261	DG67-00031A	FAN-COOLING; BF641FST,PA66,D87,4,G.F30%,	SA	1
12	1	Y103	DG94-00004Q	ASSY CAVITY COATING; VE-PJT,65L,ENAMEL,SP	SNA	1
12-1	2		DG94-00004R	ASSY CAVITY WELDING; VE-PJT,65L,ENAMEL,SP	SNA	1
13	1	M054	DG32-00001A	SENSOR-THERMISTOR; PM3M-K342-S1,E-OVEN	SA	1
14	1	M262	6031-001545	WASHER-SPRING; STS430,ID5,OD11.8,T0.3,Dar	SA	6
15	1	P376	DG61-00646A	SUPPORT-HINGE L; NEO PJT,GI-SGCC,T1.0,W24	SA	1
16	1	M293	DG61-00647A	SUPPORT-HINGE R; NEO PJT,GI-SGCC,T1.0,W24	SA	1
17	1	M273	DG94-00444A	ASSY-RACK SIDE(L); VE-PJT, SINGLE,LV1, LE	SA	1
17-1	2	M290	DG75-01034A	RACK-WIRE LEFT; SINGLE(FLAT),MSWR-SWRM,Te	SNA	1
17-2	2		DG61-00344A	HOLDER-RAIL; TELESCOPIC MODEL,STAINLESS-S	SNA	2
17-3	2	P444	DG61-00468A	RAIL-TELESCOPIC L; TELESCOPIC MODEL,STS44	SA	1
18	1	M241	DG63-00007A	COVER-BOTTOM HEATER; BT63BSST,GI-SGCC,T0.	SNA	1
19	1	M242	DG63-00034A	COVER-SCREW; BT63BSST,ABS,BLUE(74171),HG0	SA	2
20	1	D205	DG64-00291A	DOOR-GUTTER; BT62FQBPST/XEF,GA-SGCC,T0.5,	SA	1
21	1	H005	DG94-00261D	ASSY COVER CASING; BF1C4T223,CATALYTIC,T0	SA	1

No.	Lvl.	Loc.	Material Code	Description & Specification	SNA	Qty.
21-1	2	P318	DG61-00096A	BRACKET-COVER CASING; BT63BSSTR,SPP,T0.6	SNA	1
21-2	2		DG61-00372A	BRACKET-CASING LOWER; BT691CSST,SPP,T0.6,	SNA	1
21-3	2	H015	DG63-00166D	COVER-CASING; BF1N4T213,CR-SPP,T0.8,-,BLA	SNA	1
22	1	M274	DG94-00443A	ASSY-RACK SIDE(R); VE-PJT, SINGLE,LV1, LE	SA	1
22-1	2	M289	DG75-01035A	RACK-WIRE RIGHT; SINGLE(FLAT),MSWR-SWRM,T	SNA	1
22-2	2		DG61-00344A	HOLDER-RAIL; TELESCOPIC MODEL,STAINLESS-S	SNA	2
22-3	2	P445	DG61-00469A	RAIL-TELESCOPIC R; TELESCOPIC MODEL,STS44	SA	1
23	1	M268	DG73-00002A	RUBBER-CUSHION; BT63BSST,SILICONE RUBBER,	SA	2
24	1	H130	DG94-00332A	ASSY HOLDER-WIRE RACK; GF94TRT001,COOKER	SA	2
24-1	2	H008	DE60-40026A	WASHER-PLAIN; STAINLESS-STS304,OD12,T1.0,	SNA	2
24-2	2	M059	DG61-00340A	HOLDER-RACK; FLAT ALL MODEL,STAINLESS-STS	SNA	2
25	1	M188	DG61-00341A	BRACKET-HOLDER RACK; FLAT ALL MODEL,STAIN	SA	4
26	1	M243	DG70-00002A	STEEL WIRE; BT63BSST,MSWR-SWRM,L2000,T1.0	SNA	2
27	1	M248	DG97-00011A	ASSY LAMP BULB; BT63BSST / BWT,-,230V25W,	SA	1
27-1	2	M265	DG63-00029A	COVER-RING BULB; BT63BSST,STAINLESS-STS30	SA	1
27-2	2	M250	DG63-00098A	SHEET-RING BULB; BT62FQBPST,STS304,T0.5,W	SA	1
27-3	2	M249	DG97-00012A	ASSY LAMP BULB-SUB; BT63BSST / BWT,-,230V	SA	1
28	1	D116	DG97-00019A	ASSY GASKET DOOR; BT63BSST / BWT,-,SILI	SA	1
28-1	2	D175	DG61-00046A	FIXER-GASKET(A); BT63BSST,ALCOT,T1.0,-	SNA	4
28-2	2	M370	DG63-00016A	GASKET-DOOR; BT63BSST,SILICONE RUBBER	SNA	1
28-3	2	D176	DG61-00047A	FIXER-GASKET(B); BT63BSST,ALCOT,T1.0	SNA	1
29	1	W002	DG96-00207A	ASSY WIRE HARNESS-A; BF3N3T096,230/240V;	SA	1
30	1		DG94-00385C	ASSY HOLDER NOISE FILTER; STEAM _ JUPITER	SA	1
30-1	2	M264	DG61-00444C	HOLDER-NOISE FILTER; BI-SINGLE,PBT+GF,BLA	SA	1

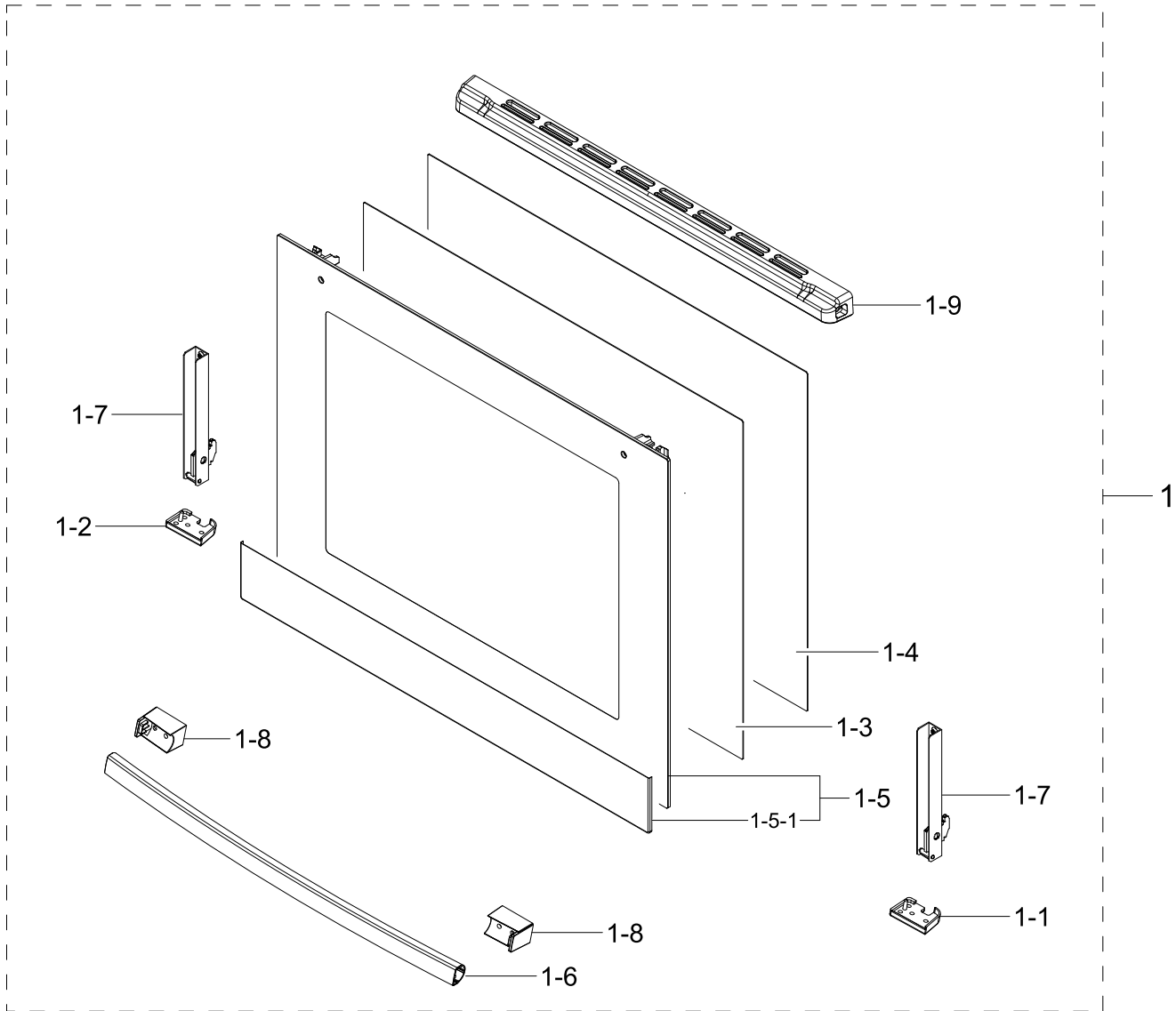
Exploded Views and Parts List

No.	Lvl.	Loc.	Material Code	Description & Specification	SNA	Qty.
30-2	2	M017	DG96-00021A	ASSY NOISE FILTER; -,SN-BF63,250V15A,E-OV	SA	1
31	1		DG94-00395G	ASSY COVER ADIABATIC-REAR; BF641FST,GI,T0	SNA	1
31-1	2	M369	DG97-00143F	ASSY-ADIABATIC REAR; BF641FST/XEG,GLASS W	SNA	1
31-2	2	M413	DG62-00021B	TUBE-GLASS; BQ3N3T,GLASS FIBER,4.1,40MM,3	SNA	2
31-3	2	H001	DG31-00013A	MOTOR AC CONVECTION; 24" OVEN,SMC-EBF64A,	SA	1
31-4	2	H001	DG31-00014A	MOTOR AC CONVECTION; 24" OVEN,SMC-EBF64B,	SA	1
31-5	2	M464	DG47-00010A	THERMOSTAT; NT-103,250V,15A,1305,0,250V	SA	1
31-6	2	P258	DG63-00202A	COVER-ADIABATIC REAR; BQ3N3T020,GI-SGCC,T	SNA	1
31-7	2	G005	DG65-00002A	TERMINAL BLOCK; BT63BSST,PA66,6 sqmm,BROW	SA	1
32	1		DG98-01043A	ASSY PACKING-BOTTOM; 24" Shrinkage,W680 D	SNA	1
32-1	2		DG69-00143B	PAD BOTTOM; 24" Shrinkage(2011),CB,805,96	SNA	1
33	1	M015	DG96-00084A	ASSY POWER CORD; VDE/KC,Straight,EUROPE/K	SA	1
34	1	H050	DG61-00031A	BRACKET-AS COVER; BT63BSST,GI-SGCC,T0.6,W	SA	1
35	1	U075	DG61-00051A	BASE-BOTTOM; BT63BSST,GI-SGCD,T0.5,W555,L	SNA	1
36	1	H052	DG61-00053A	CASE-UPPER B; BT63BSST,GI-SGCC,T0.5,-,BI	SA	1
37	1		DG61-00405A	HOLDER-CABLE; DX6292K,PA66,WHT	SA	1
38	1	P186	DG63-00009B	COVER-BACK; BT62FQBPST,GI-SGCC,T0.5,W546.	SA	1
39	1		DG94-00328D	ASSY CASE-R; GF94TRT001,COOKER,HANDLE HOL	SA	1
39-1	2	H053	DG61-00654C	CASE-RIGHT; NEO PJT,GI-SGCC,T0.5,W1075,L5	SA	1
39-2	2	P021	DG63-00184B	CUSHION-SPONGE; GF94TRT001,POLYURETHANE F	SNA	1
40	1		DG94-00329D	ASSY CASE-L; GF94TRT001,COOKER,HANDLE HOL	SA	1
40-1	2	H054	DG61-00655C	CASE-LEFT; NEO PJT,GI-SGCC,T0.5,W600,L533	SA	1
40-2	2	P021	DG63-00184B	CUSHION-SPONGE; GF94TRT001,POLYURETHANE F	SNA	1
41	1	W006	DG96-00197A	ASSY WIRE HARNESS-E; BQ3N3T013,230/240V;	SA	1
42	1	H094	DG94-00361A	ASSY CASE-UPPER; BF641FST,GI,T0.5	SA	1

No.	Lvl.	Loc.	Material Code	Description & Specification	SNA	Qty.
42-1	2	H051	DG61-00052A	CASE-UPPER A; BT63BSST,GI-SGCC,T0.5,W570.	SNA	1
43	1	P425	DG94-00331A	ASSY COVER-FAN COOLING; GF94TRT001,ALCOAT	SA	1
43-1	2	P223	DG63-00123A	COVER-FAN COOLING; BF641FST,GI-SGCC,T0.5,	SA	1
43-2	2		DG63-00187A	CUSHION-FAN COOLING; GF94TRT001,CR FOAM,T	SNA	1

2. ASSY DOOR

Exploded View



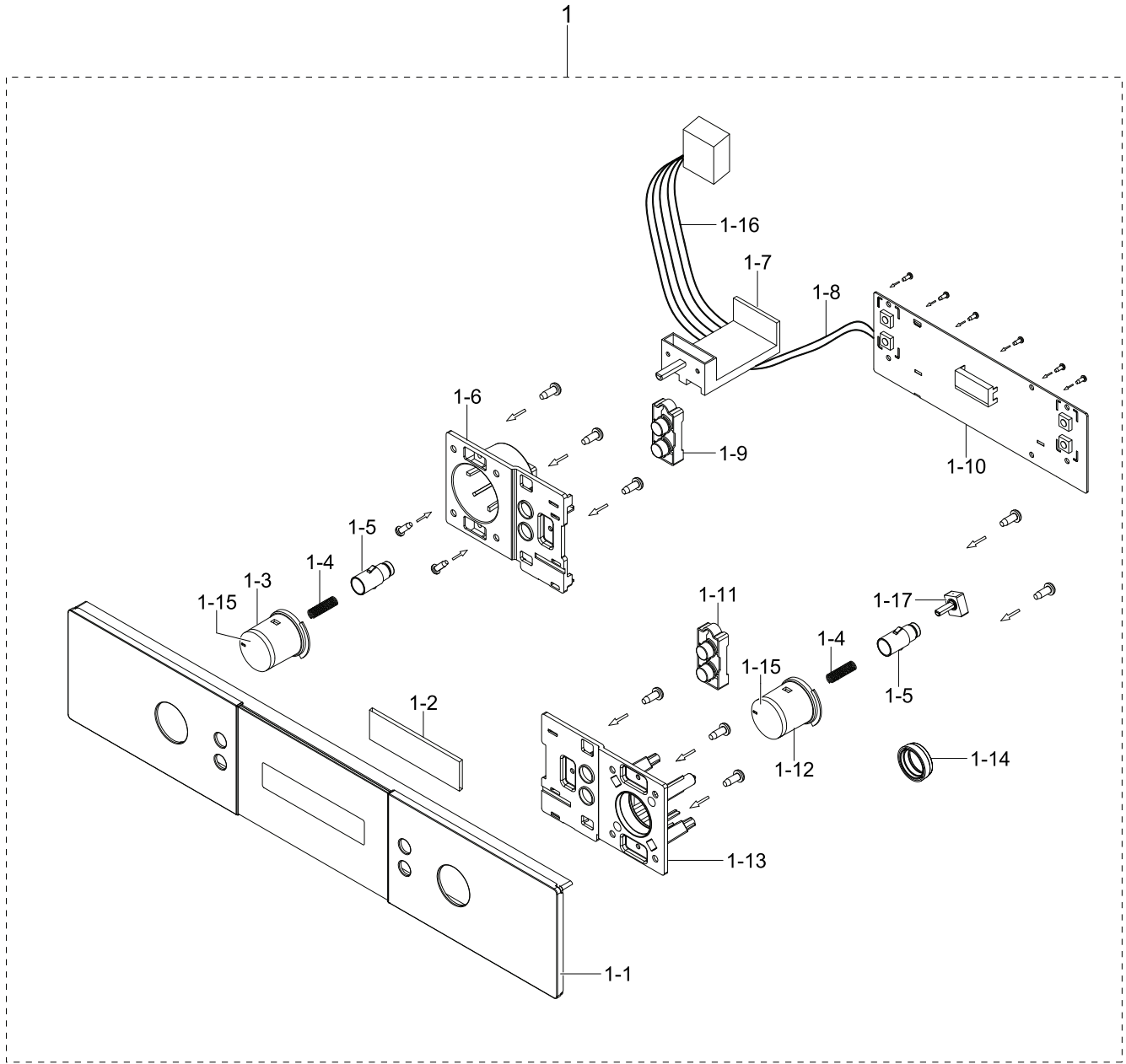
Parts List

No.	Lvl.	Loc.	Material Code	Description & Specification	SNA	Qty.
1	1	D049	DG94-00429E	ASSY DOOR; VE-PJT, GLASS, SILVER, STRAIGHT-C	SA	1
1-1	2	D105	DG63-00210A	COVER-HINGE RIGHT; GVE MODEL, PBT, GF15	SA	1
1-2	2	D106	DG63-00211A	COVER-HINGE LEFT; GVE MODEL, PBT, GF15	SA	1
1-3	2	D109	DG64-00136B	GLASS-DOOR MIDDLE; CLASSIC2, GLASS, T4.0, TE	SA	1
1-4	2	D110	DG64-00326A	GLASS-DOOR INNER; GVE MODEL, GLASS, T4.0, TE	SA	1
1-5	2	D015	DG94-00430A	ASSY DOOR SUB; BF1N4T123/XEO, CHASSIS, STSS	SA	1

No.	Lvl.	Loc.	Material Code	Description & Specification	SNA	Qty.
1-5-1	3	D068	DE64-01478B	CHASSIS-DOOR; AFQ159ST/XAP,STAINLESS-STS4	SA	1
1-6	2	D019	DG64-00203A	HANDLE DOOR; GEO,AL,CURVED,ANODAZING, HAI	SA	1
1-7	2	V002	DG97-00023D	ASSY HINGE; BF641FST/XEU,Mold type Assy d	SA	2
1-8	2	D147	DG63-00133A	COVER HANDLE; GEO,ABS,EBONY-BLACK(BK0018)	SNA	2
1-9	2		DG94-00433A	ASSY-DUCT DOOR; BF1N4T123,PBT + GF15%,VE=	SA	1

3. ASSY CONTROL BOX

Exploded View



Parts List

No.	Lvl.	Loc.	Material Code	Description & Specification	SNA	Qty.
1	1	C082	DG94-00447D	ASSY CONTROL BOX; VE-PJT,230V50Hz,AMBER,S	SNA	1
1-1	2	C001	DG94-00145A	ASSY CONTROL PANEL; GEO,STS,STS,RUSSIA	SA	1
1-2	2	C009	DG64-00400A	WINDOW-DISPLAY; NEO PJT,SAN,W131.0,L33.2,	SA	1

No.	Lvl.	Loc.	Material Code	Description & Specification	SNA	Qty.
1-3	2	C185	DG64-00207H	KNOB-DIAL SELECT; BQ1N4T013,PC,Natural ST	SA	1
1-4	2	C188	DG61-00069A	SPRING ETC-POP UP; BT63BSST / BWT,SWP,10,	SNA	2
1-5	2	C187	DG96-00001A	ASSY-POP UP; BT63BSST,PBT,BI,ITW	SNA	2
1-6	2	C186	DG63-00149A	COVER-DIAL SELECT; BFN1421TL,PC,GE-BLK,LE	SA	1
1-7	2	C267	DG34-00008A	SWITCH-SELECT(ROTARY); SPINDLE,PA66+G.F25	SA	1
1-8	2		DE66-00209A	WIRE-FLAT; BFN1351T,UL2896,5PIN,100mm,PIT	SNA	1
1-9	2	C235	DG64-00200A	BUTTON-CLOCK L; GEO,PC,-,-,SILVER SPRAY,L	SA	1
1-10	2	F316	DE92-02875B	ASSY PCB MAIN; LED DISPLAY,OCS-GEOEASY1-0	SA	1
1-11	2	C236	DG64-00200B	BUTTON-CLOCK R; GEO,PC,SILVER SPRAY(NATUR	SA	1
1-12	2	C190	DG64-00207G	KNOB-DIAL ENCODER; BQ1N4T013,PC,Natural S	SA	1
1-13	2	C193	DG63-00150A	COVER-DIAL ENCODER; GEO EASY POP,PC,GE-BL	SA	1
1-14	2	C241	DG61-00347A	HOLDER-RING; GEO EASY POPUP,PC,-,-,BLK,	SA	1
1-15	2	C245	DG67-00020B	CAP-DIAL SELECT; JM,AL,STS SILVER,SPIN HA	SA	2
1-16	2	W038	DG96-00205A	ASSY WIRE HARNESS-B; BF3N3T096,230/240V;	SA	1
1-17	2		DG61-00328A	HOLDER-ROTARY; PA66,BLK,GEO_EASYTRONICS	SNA	1