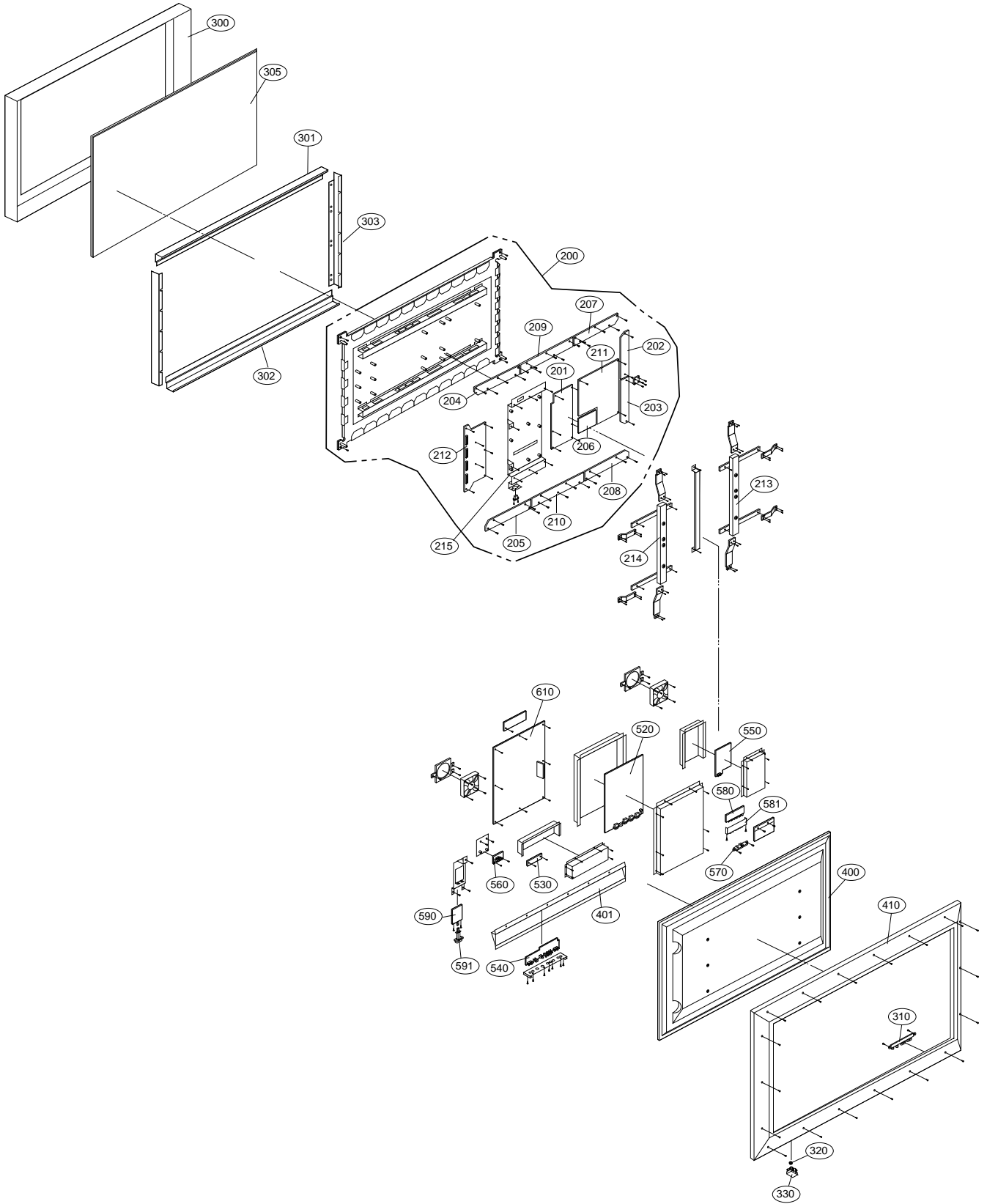


# EXPLODED VIEW



## EXPLODED VIEW PARTS LIST

No.	Part No.	Description
200	6348Q-C030C	PDP,50" 16:9 1365*768 DUAL SCAN PO
201	6871QCH019A	PCB ASSEMBLY,CTRL ASSY HAND INSERT 50INCH V
202	6871QDH030A	PCB ASSEMBLY,YDRV ASSY HAND INSERT 50WX1 4
203	6871QDH031A	PCB ASSEMBLY,YDRV ASSY HAND INSERT 50WX1 4
204	6871QLH018A	PCB ASSEMBLY,XRLT ASSY HAND INSERT 50WX1 4L
205	6871QLH019A	PCB ASSEMBLY,XRLT ASSY HAND INSERT 50WX1 4L
206	6871QPH006A	PCB ASSEMBLY,DCDC ASSY HAND INSERT 50WX1
207	6871QRH016A	PCB ASSEMBLY,XRRT ASSY HAND INSERT 50WX1 4L
208	6871QRH017A	PCB ASSEMBLY,XRRT ASSY HAND INSERT 50WX1 4L
209	6871QXH011A	PCB ASSEMBLY,XRCT ASSY HAND INSERT 50WX1 4L
210	6871QXH012A	PCB ASSEMBLY,XRCT ASSY HAND INSERT 50WX1 4L
211	6871QYH020A	PCB ASSEMBLY,YSUS ASSY HAND INSERT 50WX1 4
212	6871QZH021A	PCB ASSEMBLY,ZSUS ASSY HAND INSERT 50WX1 2
213	4980V00416A	SUPPORTER ASSY,MN-50PZ40 RIGHT
214	4980V00416B	SUPPORTER ASSY,MN-50PZ40 LEFT
215	4980V00498A	SUPPORTER ASSY,SMPS MN-50PZ40
	4980V00498B	SUPPORTER ASSY,SMPS MN-50PZ40 DELTA
300	3091V00433B	CABINET ASSEMBLY,MZ-50PZ41 LG FLATRON
	3091V00433G	CABINET ASSEMBLY,MZ-50PZ43S
301	4980V00361A	SUPPORTER,FILTER TOP MN-50PZ40
302	4980V00362A	SUPPORTER,FILTER BOTTOM MN-50PZ40
303	4980V00363A	SUPPORTER,FILTER SIDE MN-50PZ40
305	3790V00311C	WINDOW,GLASS FILTER MN-50PZ41 NE-CUTT
	3790V00683A	WINDOW,GLASS FILTER MN-50PZ40
310	5020V00688A	BUTTON,CONTROL MN-50PZ41 SET
320	320-062H	SPRING,COIL
330	5020V00645A	BUTTON,POWER OUTER MN-50PZ40 SET
400	3809V00292A	BACK COVER ASSEMBLY,MN-50PZ40 INNER
401	3301V00009B	PLATE ASSEMBLY,AV
	3301V00009C	PLATE ASSEMBLY,AV MZ-50PZ43
410	3809V00293B	BACK COVER ASSEMBLY
520	6871VMMC16A	PCB ASSEMBLY,MAIN RF-02CA FOR MT
	6871VMMC06A	PCB ASSEMBLY,MAIN RF-02CA FOR MZ
530	6871VSMD10A	PCB ASSEMBLY,EXTRA RF-02CA 50IN IF/FIX
540	6871VSMD04B	PCB ASSEMBLY,AV RF02CA PAL A/V
550	6871VSMD06A	PCB ASSEMBLY,A/V RF-02CA 50IN AUDIO
560	6871VSMD11A	PCB ASSEMBLY,SPK RF-02CA 50IN RIGHT SPK
570	3141VSNA57A	CHASSIS ASSEMBLY,SUB RF-02CA PRE AMP
580	6871VSMD08A	PCB ASSEMBLY,KBD RF-02CA 50IN LOCAL KEY
581	5020V00647A	BUTTON,CONTROL S/W INNER MN-50PZ40 SE
590	6871VSMD09A	PCB ASSEMBLY,PSW RF-02CA 50IN POWER SWITCH
591	5020V00648A	BUTTON,POWER INNER MN-50PZ40 SET
600	6871VSMN17A	PCB ASSEMBLY,EXTRA RF02CA RF-02CA FAN CONTR
610	3501V00084B	BOARD ASSEMBLY,P-BOARD FREE VOLTAGE 50PZ43 PO

## REPLACEMENT PARTS LIST

LOCA. NO	PART NO	DESCRIPTION	LOCA. NO	PART NO	DESCRIPTION
<b>IC</b>			<b>TRANSISTOR</b>		
IC1	0IMI623200B	M62320FP,I/O EXPANDER 16P SOP	IC7	0TR830009BA	BSS83 TP PHILIPS NON N-CHANNEL
IC2	0IDS162100B	DS1621V 8P SOIC ST THERMOSTAT	IC8	0TR830009BA	BSS83 TP PHILIPS NON N-CHANNEL
IC3	0ISS278050A	KA278R05 4P,TO-220F BK LOW DRO	Q001	0TR387500AA	CHIP 2SC3875S(ALY) KEC
IC4	0ISH092100A	PQ09RF21 4P 9V S/W REGULATOR -	Q002	0TR387500AA	CHIP 2SC3875S(ALY) KEC
IC5	0ISH092100A	PQ09RF21 4P 9V S/W REGULATOR -	Q104	0TR387500AA	CHIP 2SC3875S(ALY) KEC
IC6	0ISS278120A	KA278R12 4P,TO-220F BK LOW DRO	Q150	0TR387500AA	CHIP 2SC3875S(ALY) KEC
IC101	0IAL242110A	AT24C21-10SI-2.5 8P,SOP TP 1K	Q151	0TR387500AA	CHIP 2SC3875S(ALY) KEC
IC101	0IMCRMN002A	MSP3440G QA B6 MICRONAS 80 QFP	Q152	0TR387500AA	CHIP 2SC3875S(ALY) KEC
IC101	0ISO208900A	CXA2089Q 48QFP BK A/V SWITCH	Q153	0TR387500AA	CHIP 2SC3875S(ALY) KEC
IC102	0IAL242110A	AT24C21-10SI-2.5 8P,SOP TP 1K	Q155	0TR387500AA	CHIP 2SC3875S(ALY) KEC
IC102	0IKE780800J	KIA7808API 3 ST REGULATOR .	Q156	0TR387500AA	CHIP 2SC3875S(ALY) KEC
ICN102	0IMCRFA010A	KA7809R, FAIRCHILD 2P D-PAK, R	Q157	0TR387500AA	CHIP 2SC3875S(ALY) KEC
IC103	0IMCRTI003A	SN74HCT08D TEXAS INSTRUMENT 16	Q158	0TR387500AA	CHIP 2SC3875S(ALY) KEC
IC103	0ISH052100C	PQ05RD21 4SIP ST REGULATOR	Q161	0TR150400BA	CHIP 2SA1504S(ASY) KEC
IC104	0IBB368200A	OPA3682E 16P SOP ST BUFFER AMP	Q162	0TR150400BA	CHIP 2SA1504S(ASY) KEC
IC104	0IKE704200J	KIA7042AF SOT-89 TP 4.2V VOLTA	Q300	0TR150400BA	CHIP 2SA1504S(ASY) KEC
IC105	0ISA428200A	LA4282 12S 2CHX10W AUDIO AMP	Q301	0TR150400BA	CHIP 2SA1504S(ASY) KEC
IC201	0IMCRAD003A	AD9888KS-140 ANALOG DEVICE 128	Q302	0TR387500AA	CHIP 2SC3875S(ALY) KEC
IC202	0IMCRS5002A	SIL161BCT RX SILICON IMAGE 100	Q303	0TR150400BA	CHIP 2SA1504S(ASY) KEC
IC401	0IIT323000D	VPC3230D QA B4 80P QFP TRAY SO	Q304	0TR150400BA	CHIP 2SA1504S(ASY) KEC
IC402	0IFA741230A	DM74LS123MX 16SOP TP DUAL RETR	Q305	0TR150400BA	CHIP 2SA1504S(ASY) KEC
IC404	0IMCRG2001A	FLI2200 SAGE 176P,QFP TRAY VID	Q306	0TR387500AA	CHIP 2SC3875S(ALY) KEC
IC405	0ISS464323A	K4S643232E(C)-TC/L60(70) (KM43	Q307	0TR150400BA	CHIP 2SA1504S(ASY) KEC
IC501	0IMCROT001A	REMBRANT-1A OPLUS TECHNOLOGIES	Q308	0TR387500AA	CHIP 2SC3875S(ALY) KEC
IC502	0ISS464323A	K4S643232E(C)-TC/L60(70) (KM43	Q309	0TR387500AA	CHIP 2SC3875S(ALY) KEC
IC503	0ISS464323A	K4S643232E(C)-TC/L60(70) (KM43	Q310	0TR150400BA	CHIP 2SA1504S(ASY) KEC
IC504	0ISS464323A	K4S643232E(C)-TC/L60(70) (KM43	Q314	0TR387500AA	CHIP 2SC3875S(ALY) KEC
IC601	0IS5160000A	SII160 100 TQFP ST PANELLINK D	Q315	0TR387500AA	CHIP 2SC3875S(ALY) KEC
IC701	0IMCRRS001A	R8820LV RDC SEMICONDUCTOR LTD	Q316	0TR150400BA	CHIP 2SA1504S(ASY) KEC
IC702	0IMMRSS064A	K6R4016V1C-TC10 SAMSUNG ELECTR	Q317	0TR387500AA	CHIP 2SC3875S(ALY) KEC
IC703	0IMMRMR006A	MX29LV160TTC-70 MACRONIX 48P T	Q318	0TR150400BA	CHIP 2SA1504S(ASY) KEC
IC704	0IAL241610A	AT24C16N-10SI 8P SOIC ST EEPRO	Q319	0TR387500AA	CHIP 2SC3875S(ALY) KEC
IC741	0IMCRFA013A	74LCX244MTC FAIRCHILD 20P TSSO	Q320	0TR387500AA	CHIP 2SC3875S(ALY) KEC
IC742	0IMCRFA013A	74LCX244MTC FAIRCHILD 20P TSSO	Q400	0TR387500AA	CHIP 2SC3875S(ALY) KEC
IC743	0ITI745740M	SN74HC574NSR 14P,SOP TP D-TYPE	Q401	0TR387500AA	CHIP 2SC3875S(ALY) KEC
IC744	0IMCRPH017A	74LVC574APW PHILIPS 20P SOT360	Q402	0TR387500AA	CHIP 2SC3875S(ALY) KEC
IC745	0IPH740800L	74LVT08D 14SOP R/TP LOW VOLTAG	Q403	0TR150400BA	CHIP 2SA1504S(ASY) KEC
IC746	0IMCRPH015A	74LVC32AD PHILIPS 14P SOT108-1	Q404	0TR387500AA	CHIP 2SC3875S(ALY) KEC
IC747	0IMCRPH016A	74LVC139D PHILIPS 16P SOT109-1	Q405	0TR104009AF	CHIP KRC104S SOT-23 TP KEC --
IC748	0IMCRPH014A	74LV132D PHILIPS 14P SOT108-1	Q407	0TR150400BA	CHIP 2SA1504S(ASY) KEC
IC749	0IKE702700D	KIA7027AF 3, SOT-89 TP RESET I	QA101	0TR150400BA	CHIP 2SA1504S(ASY) KEC
IC750	0IDS232000A	DS232AS 16P,SOP TP RS-232 DRIV	QA102	0TR150400BA	CHIP 2SA1504S(ASY) KEC
IC801	0IMCRSJ001A	SC1565IST-1.8 SEMTECH 3P SOT22	QA103	0TR150400BA	CHIP 2SA1504S(ASY) KEC
IC802	0IPRPML001A	MIC39100 MICREL 3P SOT223 R/TP	QA720	0TR387500AA	CHIP 2SC3875S(ALY) KEC
IC803	0IMCRFA010A	KA7809R, FAIRCHILD 2P D-PAK, R	QA721	0TR387500AA	CHIP 2SC3875S(ALY) KEC
IC850	0IMCRRH001A	BA033FP ROHM 3P-SOP,TO252-3 R/	QA722	0TR387500AA	CHIP 2SC3875S(ALY) KEC
IC851	0IMCRRH001A	BA033FP ROHM 3P-SOP,TO252-3 R/	QA723	0TR150400BA	CHIP 2SA1504S(ASY) KEC
IC852	0IMCRRH001A	BA033FP ROHM 3P-SOP,TO252-3 R/	QA740	0TR387500AA	CHIP 2SC3875S(ALY) KEC
IC853	0IMCRRH001A	BA033FP ROHM 3P-SOP,TO252-3 R/	QN101	0TR387500AA	CHIP 2SC3875S(ALY) KEC
IC854	0IMCRRH001A	BA033FP ROHM 3P-SOP,TO252-3 R/	QN102	0TR387500AA	CHIP 2SC3875S(ALY) KEC
			QN103	0TR387500AA	CHIP 2SC3875S(ALY) KEC

For Capacitor & Resistors,  
the characters at 2nd and 3rd  
digit in the P/No. means as  
follows;

CC, CX, CK, CN : Ceramic	RD : Carbon Film
CQ : Polyester	RS : Metal Oxide Film
CE : Electrolytic	RN : Metal Film
	RF : Fusible

LOCA. NO	PART NO	DESCRIPTION
QN104	0TR150400BA	CHIP 2SA1504S(ASY) KEC
QN105	0TR150400BA	CHIP 2SA1504S(ASY) KEC
QN106	0TR387500AA	CHIP 2SC3875S(ALY) KEC
QN107	0TR150400BA	CHIP 2SA1504S(ASY) KEC
QN108	0TR387500AA	CHIP 2SC3875S(ALY) KEC
<b>DIODE</b>		
D1	0DD100009AM	EU1ZV(1) TP SANKEN
D001	0DL200000CA	LED,SAM5670(DL-2LRG) BK Y-GREEN -
D100	0DD226239AA	CHIP KDS226 SOT-23
D101	0DD226239AA	CHIP KDS226 SOT-23
D102	0DD226239AA	CHIP KDS226 SOT-23
D103	0DD226239AA	CHIP KDS226 SOT-23
D104	0DD226239AA	CHIP KDS226 SOT-23
D105	0DD226239AA	CHIP KDS226 SOT-23
D106	0DD226239AA	CHIP KDS226 SOT-23
D107	0DD226239AA	CHIP KDS226 SOT-23
D108	0DD226239AA	CHIP KDS226 SOT-23
D109	0DD226239AA	CHIP KDS226 SOT-23
D110	0DD226239AA	CHIP KDS226 SOT-23
D111	0DD226239AA	CHIP KDS226 SOT-23
D112	0DD226239AA	CHIP KDS226 SOT-23
D113	0DD226239AA	CHIP KDS226 SOT-23
D114	0DD226239AA	CHIP KDS226 SOT-23
D115	0DD226239AA	CHIP KDS226 SOT-23
D117	0DD226239AA	CHIP KDS226 SOT-23
D118	0DD226239AA	CHIP KDS226 SOT-23
D119	0DD226239AA	CHIP KDS226 SOT-23
D120	0DD226239AA	CHIP KDS226 SOT-23
D121	0DD226239AA	CHIP KDS226 SOT-23
D122	0DD226239AA	CHIP KDS226 SOT-23
D123	0DD226239AA	CHIP KDS226 SOT-23
D801	0DD226239AA	CHIP KDS226 SOT-23
D802	0DD226239AA	CHIP KDS226 SOT-23
D803	0DD226239AA	CHIP KDS226 SOT-23
D850	0DD226239AA	CHIP KDS226 SOT-23
D851	0DD226239AA	CHIP KDS226 SOT-23
D852	0DD226239AA	CHIP KDS226 SOT-23
D853	0DD226239AA	CHIP KDS226 SOT-23
D854	0DD226239AA	CHIP KDS226 SOT-23
D855	0DD226239AA	CHIP KDS226 SOT-23
D857	0DD226239AA	CHIP KDS226 SOT-23
DA101	0DD184009AA	KDS184S CHIP 85V 300MA KEC TP
DA102	0DD184009AA	KDS184S CHIP 85V 300MA KEC TP
DA103	0DD184009AA	KDS184S CHIP 85V 300MA KEC TP
DA104	0DD184009AA	KDS184S CHIP 85V 300MA KEC TP
DA105	0DD226239AA	CHIP KDS226 SOT-23
DA106	0DD226239AA	CHIP KDS226 SOT-23
DN101	0DD226239AA	CHIP KDS226 SOT-23
DN102	0DD226239AA	CHIP KDS226 SOT-23
DN105	0DD226239AA	CHIP KDS226 SOT-23
DN111	0DD226239AA	CHIP KDS226 SOT-23

LOCA. NO	PART NO	DESCRIPTION
LD300	0DL233309AC	LED,SAM2333 TP KWANG GREEN/RED
LD460	0DL233309AC	LED,SAM2333 TP KWANG GREEN/RED
LD461	0DL233309AC	LED,SAM2333 TP KWANG GREEN/RED
LD740	0DL233309AC	LED,SAM2333 TP KWANG GREEN/RED
LD741	0DL233309AC	LED,SAM2333 TP KWANG GREEN/RED
LD742	0DL233309AC	LED,SAM2333 TP KWANG GREEN/RED
LD743	0DL233309AC	LED,SAM2333 TP KWANG GREEN/RED
LD804	0DL233309AC	LED,SAM2333 TP KWANG GREEN/RED
LD805	0DL233309AC	LED,SAM2333 TP KWANG GREEN/RED
LD806	0DL233309AC	LED,SAM2333 TP KWANG GREEN/RED
ZD116	0DR050008AA	SD05.TC R/TP SEMTECH SOD323 5V
ZD201	0DR050008AA	SD05.TC R/TP SEMTECH SOD323 5V
ZD750	0DR050008AA	SD05.TC R/TP SEMTECH SOD323 5V
ZD751	0DR050008AA	SD05.TC R/TP SEMTECH SOD323 5V
ZD752	0DR050008AA	SD05.TC R/TP SEMTECH SOD323 5V
<b>CAPACITOR</b>		
C2	0CE106SF6DC	10UF MVG 16V 20% R/TP(SMD) SMD
C003	0CE476SF6DC	47UF MVG 16V M SMD R/TP
C4	0CE106SF6DC	10UF MVG 16V 20% R/TP(SMD) SMD
C8	0CE476SF6DC	47UF MVG 16V M SMD R/TP
C11	0CE477VF6DC	470UF MV 16V 20% R/TP(SMD) SMD
C13	0CE476SF6DC	47UF MVG 16V M SMD R/TP
C14	0CE105SK6DC	1UF MVG 50V M SMD R/TP
C15	0CE105SK6DC	1UF MVG 50V M SMD R/TP
C16	0CE105SK6DC	1UF MVG 50V M SMD R/TP
C109	0CE107SF6DC	100UF MVG 16V M SMD R/TP
C110	0CE107SF6DC	100UF MVG 16V M SMD R/TP
C111	0CE107SF6DC	100UF MVG 16V M SMD R/TP
C112	0CE107SF6DC	100UF MVG 16V M SMD R/TP
C113	0CE107SF6DC	100UF MVG 16V M SMD R/TP
C114	0CE107SF6DC	100UF MVG 16V M SMD R/TP
C115	0CE107SF6DC	100UF MVG 16V M SMD R/TP
C119	0CE477VF6DC	470UF MV 16V 20% R/TP(SMD) SMD
C121	0CE477VF6DC	470UF MV 16V 20% R/TP(SMD) SMD
C123	0CE477VF6DC	470UF MV 16V 20% R/TP(SMD) SMD
C127	0CE476SF6DC	47UF MVG 16V M SMD R/TP
C134	0CE476SF6DC	47UF MVG 16V M SMD R/TP
C150	0CE476SF6DC	47UF MVG 16V M SMD R/TP
C154	0CE476SF6DC	47UF MVG 16V M SMD R/TP
C158	0CE476SF6DC	47UF MVG 16V M SMD R/TP
C179	0CE476SF6DC	47UF MVG 16V M SMD R/TP
C182	0CE476SF6DC	47UF MVG 16V M SMD R/TP
C185	0CE476SF6DC	47UF MVG 16V M SMD R/TP
C300	0CE476SF6DC	47UF MVG 16V M SMD R/TP
C303	0CE476SF6DC	47UF MVG 16V M SMD R/TP
C306	0CE476SF6DC	47UF MVG 16V M SMD R/TP
C311	0CE106SF6DC	10UF MVG 16V 20% R/TP(SMD) SMD
C316	0CN105EJ56A	1.0UF 3216 35V 10% R/TP X7R
C320	0CN105EJ56A	1.0UF 3216 35V 10% R/TP X7R
C322	0CE106SF6DC	10UF MVG 16V 20% R/TP(SMD) SMD
C344	0CE106SF6DC	10UF MVG 16V 20% R/TP(SMD) SMD

For Capacitor & Resistors, the characters at 2nd and 3rd digit in the P/No. means as follows;	CC, CX, CK, CN : Ceramic CQ : Polyester CE : Electrolytic	RD : Carbon Film RS : Metal Oxide Film RN : Metal Film RF : Fusible
--------------------------------------------------------------------------------------------------------	-----------------------------------------------------------------	------------------------------------------------------------------------------

LOCA. NO	PART NO	DESCRIPTION
C348	0CE106SF6DC	10UF MVG 16V 20% R/TP(SMD) SMD
C400	0CN105EJ56A	1.0UF 3216 35V 10% R/TP X7R
C401	0CE106SF6DC	10UF MVG 16V 20% R/TP(SMD) SMD
C408	0CE106SF6DC	10UF MVG 16V 20% R/TP(SMD) SMD
C409	0CE107SF6DC	100UF MVG 16V M SMD R/TP
C411	0CK224DF56A	220000PF 2012 16V 10% R/TP X7R
C418	0CK224DF56A	220000PF 2012 16V 10% R/TP X7R
C420	0CE106SF6DC	10UF MVG 16V 20% R/TP(SMD) SMD
C425	0CK224DF56A	220000PF 2012 16V 10% R/TP X7R
C426	0CK224DF56A	220000PF 2012 16V 10% R/TP X7R
C427	0CK224DF56A	220000PF 2012 16V 10% R/TP X7R
C436	0CK224DF56A	220000PF 2012 16V 10% R/TP X7R
C452	0CE106SF6DC	10UF MVG 16V 20% R/TP(SMD) SMD
C464	0CE476SF6DC	47UF MVG 16V M SMD R/TP
C800	0CE477VF6DC	470UF MV 16V 20% R/TP(SMD) SMD
C805	0CE477VF6DC	470UF MV 16V 20% R/TP(SMD) SMD
C808	0CE227VF6DC	220UF MV 16V 20% R/TP(SMD) SMD
C812	0CE477VF6DC	470UF MV 16V 20% R/TP(SMD) SMD
C816	0CE477VF6DC	470UF MV 16V 20% R/TP(SMD) SMD
C817	0CE106SF6DC	10UF MVG 16V 20% R/TP(SMD) SMD
C820	0CE107SF6DC	100UF MVG 16V M SMD R/TP
C822	0CE107SF6DC	100UF MVG 16V M SMD R/TP
C825	0CE107SF6DC	100UF MVG 16V M SMD R/TP
C827	0CE227VF6DC	220UF MV 16V 20% R/TP(SMD) SMD
C829	0CE227VF6DC	220UF MV 16V 20% R/TP(SMD) SMD
C832	0CE476SF6DC	47UF MVG 16V M SMD R/TP
C835	0CE476SF6DC	47UF MVG 16V M SMD R/TP
C838	0CE476SF6DC	47UF MVG 16V M SMD R/TP
C840	0CE107SF6DC	100UF MVG 16V M SMD R/TP
C842	0CE107SF6DC	100UF MVG 16V M SMD R/TP
C845	0CE476SF6DC	47UF MVG 16V M SMD R/TP
C848	0CE476SF6DC	47UF MVG 16V M SMD R/TP
C849	0CE477VF6DC	470UF MV 16V 20% R/TP(SMD) SMD
C851	0CE477VF6DC	470UF MV 16V 20% R/TP(SMD) SMD
C853	0CE477VF6DC	470UF MV 16V 20% R/TP(SMD) SMD
C856	0CE107SF6DC	100UF MVG 16V M SMD R/TP
C859	0CE107SF6DC	100UF MVG 16V M SMD R/TP
C862	0CE107SF6DC	100UF MVG 16V M SMD R/TP
C865	0CE107SF6DC	100UF MVG 16V M SMD R/TP
C867	0CE227VF6DC	220UF MV 16V 20% R/TP(SMD) SMD
C869	0CE227VF6DC	220UF MV 16V 20% R/TP(SMD) SMD
C872	0CE476SF6DC	47UF MVG 16V M SMD R/TP
C875	0CE476SF6DC	47UF MVG 16V M SMD R/TP
C878	0CE106SF6DC	10UF MVG 16V 20% R/TP(SMD) SMD
C892	0CE477VF6DC	470UF MV 16V 20% R/TP(SMD) SMD
C894	0CE477VF6DC	470UF MV 16V 20% R/TP(SMD) SMD
C897	0CE107SF6DC	100UF MVG 16V M SMD R/TP
C900	0CE107SF6DC	100UF MVG 16V M SMD R/TP
C903	0CE107SF6DC	100UF MVG 16V M SMD R/TP
C906	0CE107SF6DC	100UF MVG 16V M SMD R/TP
C908	0CE477VF6DC	470UF MV 16V 20% R/TP(SMD) SMD
C910	0CE477VF6DC	470UF MV 16V 20% R/TP(SMD) SMD

LOCA. NO	PART NO	DESCRIPTION
C931	0CE107SF6DC	100UF MVG 16V M SMD R/TP
C933	0CE477VF6DC	470UF MV 16V 20% R/TP(SMD) SMD
C935	0CE477VF6DC	470UF MV 16V 20% R/TP(SMD) SMD
C938	0CE107SF6DC	100UF MVG 16V M SMD R/TP
C941	0CE227VF6DC	220UF MV 16V 20% R/TP(SMD) SMD
C944	0CE476SF6DC	47UF MVG 16V M SMD R/TP
C947	0CE476SF6DC	47UF MVG 16V M SMD R/TP
C949	0CE477VF6DC	470UF MV 16V 20% R/TP(SMD) SMD
C951	0CE477VF6DC	470UF MV 16V 20% R/TP(SMD) SMD
C954	0CE107SF6DC	100UF MVG 16V M SMD R/TP
C957	0CE476SF6DC	47UF MVG 16V M SMD R/TP
C966	0CE107SF6DC	100UF MVG 16V M SMD R/TP
C975	0CE227VF6DC	220UF MV 16V 20% R/TP(SMD) SMD
C977	0CE227VF6DC	220UF MV 16V 20% R/TP(SMD) SMD
C980	0CE476SF6DC	47UF MVG 16V M SMD R/TP
C983	0CE107SF6DC	100UF MVG 16V M SMD R/TP
C986	0CE476SF6DC	47UF MVG 16V M SMD R/TP
C989	0CE107SF6DC	100UF MVG 16V M SMD R/TP
C992	0CE107SF6DC	100UF MVG 16V M SMD R/TP
CA101	0CE477DK618	470UF STD 50V 20% FL TP 5
CA102	0CE477DK618	470UF STD 50V 20% FL TP 5
CA104	0CE107DH618	100UF STD 25V M FL TP5
CA105	0CE105SK6DC	1UF MVG 50V M SMD R/TP
CA106	0CE106SF6DC	10UF MVG 16V 20% R/TP(SMD) SMD
CA107	0CQ6821N509	0.0068U 100V K POLY TP
CA108	0CE107DH618	100UF STD 25V M FL TP5
CA109	0CQ6821N509	0.0068U 100V K POLY TP
CA110	0CE477DK618	470UF STD 50V 20% FL TP 5
CA111	0CE477DK618	470UF STD 50V 20% FL TP 5
CA112	0CE106SF6DC	10UF MVG 16V 20% R/TP(SMD) SMD
CA113	181-120K	2200PF 4KV M E FMTW LEAD 4.5
CA114	181-120K	2200PF 4KV M E FMTW LEAD 4.5
CA115	0CE477DK618	470UF STD 50V 20% FL TP 5
CA116	0CE107DH618	100UF STD 25V M FL TP5
CA117	0CE477DK618	470UF STD 50V 20% FL TP 5
CA118	0CQ1041N509	0.1U 100V K POLY TP
CA119	0CE227VF6DC	220UF MV 16V 20% R/TP(SMD) SMD
CA120	0CE106SF6DC	10UF MVG 16V 20% R/TP(SMD) SMD
CA121	0CQ1041N509	0.1U 100V K POLY TP
CA122	0CE227VF6DC	220UF MV 16V 20% R/TP(SMD) SMD
CA125	0CE107SF6DC	100UF MVG 16V M SMD R/TP
CA126	0CE474SK6DC	0.47UF MVG 50V M SMD R/TP
CA127	0CE474SK6DC	0.47UF MVG 50V M SMD R/TP
CA128	0CE335SK6DC	3.3UF MVG 50V 20% SMD R/TP
CA129	0CE107SF6DC	100UF MVG 16V M SMD R/TP
CA131	0CE106SF6DC	10UF MVG 16V 20% R/TP(SMD) SMD
CA132	0CE474SK6DC	0.47UF MVG 50V M SMD R/TP
CA133	0CE474SK6DC	0.47UF MVG 50V M SMD R/TP
CA134	0CE106SF6DC	10UF MVG 16V 20% R/TP(SMD) SMD
CA135	0CE106SF6DC	10UF MVG 16V 20% R/TP(SMD) SMD
CA139	0CE106SF6DC	10UF MVG 16V 20% R/TP(SMD) SMD
CA140	0CE107SF6DC	100UF MVG 16V M SMD R/TP

LOCA. NO	PART NO	DESCRIPTION
CA153	0CE107SF6DC	100UF MVG 16V M SMD R/TP
CA154	0CE476SF6DC	47UF MVG 16V M SMD R/TP
CA154	0CE476SF6DC	47UF MVG 16V M SMD R/TP
CA155	0CE106SF6DC	10UF MVG 16V 20% R/TP(SMD) SMD
CA156	0CE476SF6DC	47UF MVG 16V M SMD R/TP
CA751	0CE105SK6DC	1UF MVG 50V M SMD R/TP
CN113	0CE476SF6DC	47UF MVG 16V M SMD R/TP
CN114	0CE476SF6DC	47UF MVG 16V M SMD R/TP
CN115	0CE476SF6DC	47UF MVG 16V M SMD R/TP
CN119	0CE105SK6DC	1UF MVG 50V M SMD R/TP
CN120	0CE105SK6DC	1UF MVG 50V M SMD R/TP
CN121	0CE105SK6DC	1UF MVG 50V M SMD R/TP
CN122	0CE105SK6DC	1UF MVG 50V M SMD R/TP
CN123	0CE105SK6DC	1UF MVG 50V M SMD R/TP
CN124	0CE476SF6DC	47UF MVG 16V M SMD R/TP
CN127	0CE105SK6DC	1UF MVG 50V M SMD R/TP
CN130	0CE105SK6DC	1UF MVG 50V M SMD R/TP
CN133	0CE105SK6DC	1UF MVG 50V M SMD R/TP
CN137	0CE476SF6DC	47UF MVG 16V M SMD R/TP
CN138	0CE105SK6DC	1UF MVG 50V M SMD R/TP
CN141	0CE476SF6DC	47UF MVG 16V M SMD R/TP
CN144	0CE476SF6DC	47UF MVG 16V M SMD R/TP
CN145	0CE476SF6DC	47UF MVG 16V M SMD R/TP
CN147	0CE476SF6DC	47UF MVG 16V M SMD R/TP
CN149	0CE476SF6DC	47UF MVG 16V M SMD R/TP
<b>JACK</b>		
P102	380-068B	JACK,PHONE 3.5 EARPHONE WITH SW S
P103	6612BBBHNA	JACK,DIN 440062-1 AMP DVI INTERACED RIG
P103A	6612VLH001A	JACK,RCA SP022B 2P BK/R
P103B	6612VLH001A	JACK,RCA SP022B 2P BK/R
PN101	380-363J	JACK,DIN PJ6046F H=8.0 W/O S/W
PN102	6612JH003CA	JACK,RCA PPJ137A AUDIO L-MON
PN103	6612VMV002A	JACK,DRAWING UCT-EX-020 UGCOM BNC MONO
PN104	6612J00010A	JACK,RCA PPJ128A-1 A/V 2P MONO
PN105	6612JH003CA	JACK,RCA PPJ137A AUDIO L-MON
<b>COIL</b>		
L800	6140VB0004B	COIL,CHOKE 26UH 1UEWPHY 22.5TURN
L801	6140VB0004B	COIL,CHOKE 26UH 1UEWPHY 22.5TURN
L803	150-C02F	COIL,CHOKE 82UH PHY TURN
<b>CONNECTOR</b>		
P1	387-B04J	CONNECTOR ASSY,4P (L=500)
P2	387-A03J	CONNECTOR ASSEMBLY,3P 500MM
P101	6630VGA001C	CONNECTOR (CIRC),D-SUB 15PIN 2.29MM
P104	6630VGA001C	CONNECTOR (CIRC),D-SUB 15PIN 2.29MM
P741	6630VGA004B	CONNECTOR (CIRC),D-SUB 9P 2.77MM FOR
<b>RESISTOR</b>		
AR200	0RRZVTA001D	22 OHM 1 / 16 W 1608 5% R/TP 4
AR201	0RRZVTA001D	22 OHM 1 / 16 W 1608 5% R/TP 4

LOCA. NO	PART NO	DESCRIPTION
AR202	0RRZVTA001D	22 OHM 1 / 16 W 1608 5% R/TP 4
AR203	0RRZVTA001D	22 OHM 1 / 16 W 1608 5% R/TP 4
AR204	0RRZVTA001D	22 OHM 1 / 16 W 1608 5% R/TP 4
AR205	0RRZVTA001D	22 OHM 1 / 16 W 1608 5% R/TP 4
AR206	0RRZVTA001D	22 OHM 1 / 16 W 1608 5% R/TP 4
AR207	0RRZVTA001D	22 OHM 1 / 16 W 1608 5% R/TP 4
AR208	0RRZVTA001D	22 OHM 1 / 16 W 1608 5% R/TP 4
AR209	0RRZVTA001D	22 OHM 1 / 16 W 1608 5% R/TP 4
AR210	0RRZVTA001D	22 OHM 1 / 16 W 1608 5% R/TP 4
AR211	0RRZVTA001D	22 OHM 1 / 16 W 1608 5% R/TP 4
AR260	0RRZVTA001D	22 OHM 1 / 16 W 1608 5% R/TP 4
AR261	0RRZVTA001D	22 OHM 1 / 16 W 1608 5% R/TP 4
AR262	0RRZVTA001D	22 OHM 1 / 16 W 1608 5% R/TP 4
AR263	0RRZVTA001D	22 OHM 1 / 16 W 1608 5% R/TP 4
AR264	0RRZVTA001D	22 OHM 1 / 16 W 1608 5% R/TP 4
AR265	0RRZVTA001D	22 OHM 1 / 16 W 1608 5% R/TP 4
AR266	0RRZVTA001D	22 OHM 1 / 16 W 1608 5% R/TP 4
AR267	0RRZVTA001D	22 OHM 1 / 16 W 1608 5% R/TP 4
AR268	0RRZVTA001D	22 OHM 1 / 16 W 1608 5% R/TP 4
AR269	0RRZVTA001D	22 OHM 1 / 16 W 1608 5% R/TP 4
AR270	0RRZVTA001D	22 OHM 1 / 16 W 1608 5% R/TP 4
AR271	0RRZVTA001D	22 OHM 1 / 16 W 1608 5% R/TP 4
AR400	0RRZVTA001D	22 OHM 1 / 16 W 1608 5% R/TP 4
AR401	0RRZVTA001D	22 OHM 1 / 16 W 1608 5% R/TP 4
AR402	0RRZVTA001D	22 OHM 1 / 16 W 1608 5% R/TP 4
AR403	0RRZVTA001D	22 OHM 1 / 16 W 1608 5% R/TP 4
AR460	0RRZVTA001D	22 OHM 1 / 16 W 1608 5% R/TP 4
AR461	0RRZVTA001D	22 OHM 1 / 16 W 1608 5% R/TP 4
AR462	0RRZVTA001D	22 OHM 1 / 16 W 1608 5% R/TP 4
AR463	0RRZVTA001D	22 OHM 1 / 16 W 1608 5% R/TP 4
AR464	0RRZVTA001D	22 OHM 1 / 16 W 1608 5% R/TP 4
AR465	0RRZVTA001D	22 OHM 1 / 16 W 1608 5% R/TP 4
AR466	0RRZVTA001D	22 OHM 1 / 16 W 1608 5% R/TP 4
AR467	0RRZVTA001D	22 OHM 1 / 16 W 1608 5% R/TP 4
AR468	0RRZVTA001D	22 OHM 1 / 16 W 1608 5% R/TP 4
AR469	0RRZVTA001D	22 OHM 1 / 16 W 1608 5% R/TP 4
AR470	0RRZVTA001D	22 OHM 1 / 16 W 1608 5% R/TP 4
AR471	0RRZVTA001D	22 OHM 1 / 16 W 1608 5% R/TP 4
AR472	0RRZVTA001D	22 OHM 1 / 16 W 1608 5% R/TP 4
AR473	0RRZVTA001D	22 OHM 1 / 16 W 1608 5% R/TP 4
AR474	0RRZVTA001D	22 OHM 1 / 16 W 1608 5% R/TP 4
AR475	0RRZVTA001D	22 OHM 1 / 16 W 1608 5% R/TP 4
AR500	0RRZVTA001D	22 OHM 1 / 16 W 1608 5% R/TP 4
AR501	0RRZVTA001D	22 OHM 1 / 16 W 1608 5% R/TP 4
AR502	0RRZVTA001D	22 OHM 1 / 16 W 1608 5% R/TP 4
AR503	0RRZVTA001D	22 OHM 1 / 16 W 1608 5% R/TP 4
AR504	0RRZVTA001D	22 OHM 1 / 16 W 1608 5% R/TP 4
AR505	0RRZVTA001D	22 OHM 1 / 16 W 1608 5% R/TP 4
AR506	0RRZVTA001D	22 OHM 1 / 16 W 1608 5% R/TP 4
AR507	0RRZVTA001D	22 OHM 1 / 16 W 1608 5% R/TP 4
AR508	0RRZVTA001D	22 OHM 1 / 16 W 1608 5% R/TP 4
AR509	0RRZVTA001D	22 OHM 1 / 16 W 1608 5% R/TP 4

LOCA. NO	PART NO	DESCRIPTION
AR510	0RRZVTA001D	22 OHM 1 / 16 W 1608 5% R/TP 4
AR511	0RRZVTA001D	22 OHM 1 / 16 W 1608 5% R/TP 4
AR512	0RRZVTA001D	22 OHM 1 / 16 W 1608 5% R/TP 4
AR513	0RRZVTA001D	22 OHM 1 / 16 W 1608 5% R/TP 4
AR514	0RRZVTA001D	22 OHM 1 / 16 W 1608 5% R/TP 4
AR515	0RRZVTA001D	22 OHM 1 / 16 W 1608 5% R/TP 4
AR516	0RRZVTA001D	22 OHM 1 / 16 W 1608 5% R/TP 4
AR517	0RRZVTA001D	22 OHM 1 / 16 W 1608 5% R/TP 4
AR550	0RRZVTA001C	4.7K OHM 1 / 16 W 1608 5% R/TP
AR551	0RRZVTA001C	4.7K OHM 1 / 16 W 1608 5% R/TP
AR552	0RRZVTA001C	4.7K OHM 1 / 16 W 1608 5% R/TP
AR553	0RRZVTA001C	4.7K OHM 1 / 16 W 1608 5% R/TP
R22	0RD0152H609	15 OHM 1/2 W 5.00% TA52
RA101	0RS2701K607	2.7K OHM 2 W 5.00% TA62
RA102	0RS2701K607	2.7K OHM 2 W 5.00% TA62
RA105	0RD4700H609	470 OHM 1/2 W 5.00% TA52
RA109	0RD4700H609	470 OHM 1/2 W 5.00% TA52
RA114	0RS0221H609	2.2 OHM 1/2 W 5.00% TA52
RA117	0RS0221H609	2.2 OHM 1/2 W 5.00% TA52
<b>SWITCH</b>		
SW001	140-315A	SWITCH,TACT SKHV17910B NON 12V
SW002	140-315A	SWITCH,TACT SKHV17910B NON 12V
SW003	140-315A	SWITCH,TACT SKHV17910B NON 12V
SW004	140-315A	SWITCH,TACT SKHV17910B NON 12V
SW005	140-315A	SWITCH,TACT SKHV17910B NON 12V
SW006	140-315A	SWITCH,TACT SKHV17910B NON 12V
SW742	140-275A	SWITCH,PUSH JDPB21SA NON 30V 0
SW800	6600VM2006A	SWITCH,PUSH SDDF3PATP011
<b>FILTER &amp; CRYSTAL</b>		
IC106	6200VJS001A	FILTER,EMC ZJY51R5-4P TDK
IC107	6200VJS001A	FILTER,EMC ZJY51R5-4P TDK
IC108	6200VJS001A	FILTER,EMC ZJY51R5-4P TDK
L100	6210VC0005A	FILTER,EMC BK2125 HS 750
L101	6210VC0005A	FILTER,EMC BK2125 HS 750
L135	6200JB8007L	FILTER,EMC HH2012 1M221JT
L136	6200JB8007L	FILTER,EMC HH2012 1M221JT
L137	6200JB8007L	FILTER,EMC HH2012 1M221JT
L138	6200JB8007L	FILTER,EMC HH2012 1M221JT
L150	6210VC0006A	FILTER,EMC FBMH3216 HM501NT
L300	6210VC0005A	FILTER,EMC BK2125 HS 750
L301	6210VC0005A	FILTER,EMC BK2125 HS 750
L302	6210VC0005A	FILTER,EMC BK2125 HS 750
L460	6210VC0006A	FILTER,EMC FBMH3216 HM501NT
L806	6210VC0006A	FILTER,EMC FBMH3216 HM501NT
L807	6210VC0006A	FILTER,EMC FBMH3216 HM501NT
L808	6210VC0006A	FILTER,EMC FBMH3216 HM501NT
L809	6210VC0006A	FILTER,EMC FBMH3216 HM501NT
L810	6210VC0006A	FILTER,EMC FBMH3216 HM501NT
L811	6210VC0006A	FILTER,EMC FBMH3216 HM501NT
L850	6210VC0006A	FILTER,EMC FBMH3216 HM501NT

LOCA. NO	PART NO	DESCRIPTION
L851	6210VC0006A	FILTER,EMC FBMH3216 HM501NT
L852	6210VC0006A	FILTER,EMC FBMH3216 HM501NT
L853	6210VC0006A	FILTER,EMC FBMH3216 HM501NT
L854	6210VC0006A	FILTER,EMC FBMH3216 HM501NT
L855	6210VC0006A	FILTER,EMC FBMH3216 HM501NT
L856	6210VC0006A	FILTER,EMC FBMH3216 HM501NT
L857	6210VC0006A	FILTER,EMC FBMH3216 HM501NT
L858	6210VC0006A	FILTER,EMC FBMH3216 HM501NT
L859	6210VC0006A	FILTER,EMC FBMH3216 HM501NT
L860	6210VC0006A	FILTER,EMC FBMH3216 HM501NT
L861	6210VC0006A	FILTER,EMC FBMH3216 HM501NT
L862	6210VC0006A	FILTER,EMC FBMH3216 HM501NT
L863	6210VC0006A	FILTER,EMC FBMH3216 HM501NT
L864	6210VC0006A	FILTER,EMC FBMH3216 HM501NT
L865	6210VC0006A	FILTER,EMC FBMH3216 HM501NT
L866	6210VC0006A	FILTER,EMC FBMH3216 HM501NT
L867	6210VC0006A	FILTER,EMC FBMH3216 HM501NT
L868	6210VC0006A	FILTER,EMC FBMH3216 HM501NT
L871	6210VC0006A	FILTER,EMC FBMH3216 HM501NT
L872	6210VC0006A	FILTER,EMC FBMH3216 HM501NT
L873	6210VC0006A	FILTER,EMC FBMH3216 HM501NT
L874	6210VC0006A	FILTER,EMC FBMH3216 HM501NT
L875	6210VC0006A	FILTER,EMC FBMH3216 HM501NT
L876	6210VC0006A	FILTER,EMC FBMH3216 HM501NT
L877	6210VC0006A	FILTER,EMC FBMH3216 HM501NT
L880	6210VC0006A	FILTER,EMC FBMH3216 HM501NT
L882	6210VC0006A	FILTER,EMC FBMH3216 HM501NT
L883	6210VC0006A	FILTER,EMC FBMH3216 HM501NT
L884	6210VC0006A	FILTER,EMC FBMH3216 HM501NT
L885	6210VC0006A	FILTER,EMC FBMH3216 HM501NT
L886	6210VC0006A	FILTER,EMC FBMH3216 HM501NT
L887	6210VC0006A	FILTER,EMC FBMH3216 HM501NT
L889	6210VC0006A	FILTER,EMC FBMH3216 HM501NT
LA101	150-F09A	FILTER,EMC SQE2222 7-14MH 0.37PHY 48TURN
LA102	6210VC0005A	FILTER,EMC BK2125 HS 750
LA104	6210VC0005A	FILTER,EMC BK2125 HS 750
LA105	6210VC0005A	FILTER,EMC BK2125 HS 750
LA106	6210VC0005A	FILTER,EMC BK2125 HS 750
LN107	6210VC0006A	FILTER,EMC FBMH3216 HM501NT
LN108	6210VC0006A	FILTER,EMC FBMH3216 HM501NT
LN109	6210VC0006A	FILTER,EMC FBMH3216 HM501NT
LT300	6200C000010	FILTER,B.P. H354LAI-K5202
LT301	6200C000010	FILTER,B.P. H354LAI-K5202
LT302	6200C000009	FILTER,B.P. H354LAI-K5225
R30	6210VC0006A	FILTER,EMC FBMH3216 HM501NT
X300	6212AB2015B	RESONATOR,CRYSTAL HC-49/SM5H 20MHZ +/- 30
X400	6202VDT002E	RESONATOR,CRYSTAL SX-1SMD 20250000H
X601	156-A02M	RESONATOR,CRYSTAL HC49U 18.432MHZ 30P
X700	6212AB2015C	RESONATOR,CRYSTAL HC-49/SM4H 25MHZ +/- 50
<b>MISCELLANEOUS</b>		
P001	6726VV0006K	REMOTE CONTROLLER RECEIVER,38KHZ

LOCA. NO	PART NO	DESCRIPTION
<b>ACCESSORIES</b>		
A1	3828VA0351A	MANUAL,OWNERS RF02CA MT/Z-50PZ41/43
A1	3828VA0351C	MANUAL,OWNERS RF02CA MT/Z-50PZ41/43
A2	6710V00067Y	REMOTE CONTROLLER
A3	6410VEH003B	POWER CORD,M2511A VOLEX
A3	6410VBH003B	POWER CORD, MP5004+V1625 VOLEX
A4	6850V00001A	CABLE,FLAT 1566075-1 DVI A/D TO A/D 2000M
A5	6866VA9001B	CONNECTOR (CIRC),D-SUB 2990-9C UL 1161

LOCA. NO	PART NO	DESCRIPTION