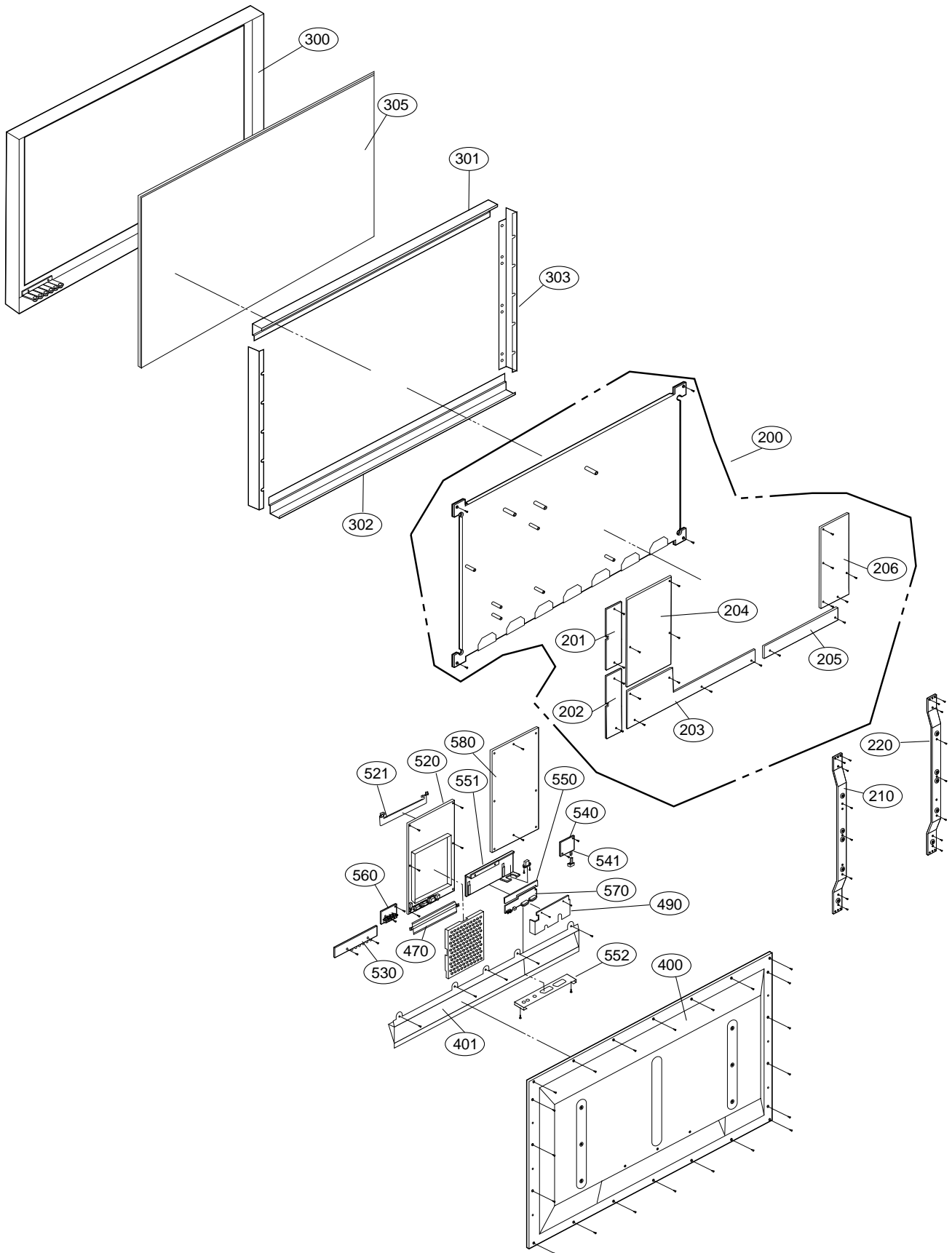


EXPLODED VIEW



EXPLODED VIEW PARTS LIST

No.	Part No.	Description
200	6348Q-E036V	PDP, 42" 16:9 852*480 PDP42V50300.AKLG
	6348Q-E036L	PDP, 42" 16:9 852*480 PDP42V50000.ADLGA
201	6871QDH051A	PWB(PCB) ASSEMBLY,DISPLAY YDRV ASSY HAND INSERT 42SD5_YDRV_TOP_TI_4LAYER
202	6871QDH052A	PWB(PCB) ASSEMBLY,DISPLAY YDRV ASSY HAND INSERT 42SD5_YDRV_BTM_TI_4LAYER
203	6871QCH025A	PWB(PCB) ASSEMBLY,DISPLAY CTRL ASSY HAND INSERT 42SD5_CTRL BD(LPCMC1121)
204	6871QYH027A	PWB(PCB) ASSEMBLY,DISPLAY YSUS ASSY HAND INSERT 42SD5_SEPERATED_YSUS
205	6871QRH034A	PWB(PCB) ASSEMBLY,DISPLAY XRRT ASSY HAND INSERT 42SD5_XR_SEPERATE(4 LAYER)
206	6871QZH030A	PWB(PCB) ASSEMBLY,DISPLAY ZSUS ASSY HAND INSERT 42SD5(YZ SEPARATE)
210	4980V00240A	SUPPORTER, VERTICAL EGI FD-42X3
	4980V00240C	SUPPORTER, MODULE EGI MZ-42PZ90 LEFT SKD
220	4980V00240B	SUPPORTER, SUPPORTER VERTICAL EGI MN-42PZ10
	4980V00240D	SUPPORTER, MODULE EGI MZ-42PZ90 RIGHT SKD
300	3091V00390E	CABINET ASSEMBLY, MZ-42PZ36 NON NON THOMSON OEM
301	4980V00237A	SUPPORTER, FILTER TOP AL FD-42X3
302	4980V00238A	SUPPORTER, FILTER BOTTOM AL FD-42X3
303	4980V00239A	SUPPORTER, FILTER R&L AL FD-42X3
305	3790V00281E	FILTER(MECH), MN-42PZ40S 1142G03E GLASS NBK MESH SINGLE AR
400	3809V00279W	BACK COVER ASSEMBLY, MZ-42PZ36 NON THOMSON OEM
401	3300V00096S	PLATE, A/V AL 675.2*95.8*T1.2 MZ-42PZ36 THOMSON
470	4814V00344E	SHIELD, PLATE MZ-42PZ44 RF03FA ET SUSTAIN
	4814V00344F	SHIELD, PLATE MZ-42PZ44 RF03FA ET SKD
490	4814V00309B	SHIELD, COVER RJ-42PZ40 RF02KC AL AC SOCKET
	4814V00309D	SHIELD, MN-42PZ40 RF02RA AL SKD
520	6871VMMQ79E	PWB(PCB) ASSEMBLY,MAIN RF-03FA THOMSON
521	4980V00793B	SUPPORTER, VSC EGI 42 PDP KK VGA
	4980V00793D	SUPPORTER, VSC EGI PRESS SKD
530	6871VSMU44B	PWB(PCB) ASSEMBLY,SUB CONT RF03FA 90 TOOL
	6871VSMU44D	PWB(PCB) ASSEMBLY,SUB CONT RF03FA THOMSON 42 KK
540	6871VSMV04B	PWB(PCB) ASSEMBLY,SUB PSW RF03FA 90 TOOL
541	5020V00457A	BUTTON, KEY BUTTON POWER FD-36X3
	5020V00457C	BUTTON, POWER MT-42PZ10A ABS, AF-303S 1KEY #20, SA#3, SKD
550	6871VSMU96A	PWB(PCB) ASSEMBLY,SUB INTER RF03FA FIX B/D ASSY
551	4980V00465D	SUPPORTER, AV INTERFACE SBHG MU-42PZ41
	4980V00465F	SUPPORTER, NON NON MT-42PZ41V
552	4980V00492G	SUPPORTER, AV INTERFACE EGI MZ-42PZ44
	4980V00748A	SUPPORTER, AV INTERFACE SPC ASSY MU-42PZ40
560	6871VSMU45A	PWB(PCB) ASSEMBLY,SUB SPK RF03GA MU-42PZ44
570	6871VSMU52B	PWB(PCB) ASSEMBLY,SUB A/V RF03FA PIGGY BACK -SCART
580	3501V00149A	BOARD ASSEMBLY, POWER MZ42PZ44 RF03FA MPF7407 MURATA 42KK
	3501V00149B	BOARD ASSEMBLY, POWER MT42PZ44 RF03FA MPF7407 MURATA 42KK

REPLACEMENT PARTS LIST

LOCA. NO	PART NO	DESCRIPTION	LOCA. NO	PART NO	DESCRIPTION
IC			TRANSISTOR		
IC101	0IAL242110A	AT24C21-10SI-2.5 8P,SOP TP 1K EEPROM"	IC203	0TR830009BA	BSS83 TP PHILIPS NON N-CHANNEL S/W TR
IC101	0ISO208900A	CXA2089Q 48QFP BK A/V SWITCH	IC204	0TR830009BA	BSS83 TP PHILIPS NON N-CHANNEL S/W TR
IC102	0IAL242110A	AT24C21-10SI-2.5 8P,SOP TP 1K EEPROM"	Q001	0TR387500AA	2SC3875S(ALY) KEC
IC103	0IMCRTI003A	SN74HCT08D TEXAS INSTRUMENT 16P	Q001	0TR150400BA	2SA1504S(ASY) KEC
IC104	0IPRPBB005A	OPA3692IDBQ BUR BROWN 16PIN SSOP	Q002	0TR387500AA	2SC3875S(ALY) KEC
IC1101	0IDS162100B	DS1621V 8P SOIC ST THERMOSTAT	Q002	0TR150400BA	2SA1504S(ASY) KEC
IC1102	0IMCRPH015A	74LVC32AD PHILIPS 14P SOT108-1	Q003	0TR150400BA	2SA1504S(ASY) KEC
IC1103	0ISH092100B	PQ09RD21 4SIP ST REGULATOR	Q008	0TR387500AA	2SC3875S(ALY) KEC
IC1104	0ISH122100B	PQ12RD21 4SIP ST REGULATOR	Q009	0TR387500AA	2SC3875S(ALY) KEC
IC201	0ISO210100B	CXA2101AQ 80P,QFP BK	Q200	0TR387500AA	2SC3875S(ALY) KEC
IC202	0IPRPTI001A	TFP401PZP TEXAS INSTRUMENT 100,TQFP	Q200	0TR387500AA	2SC3875S(ALY) KEC
IC205	0IMCRTI003A	SN74HCT08D TEXAS INSTRUMENT 16P	Q201	0TR387500AA	2SC3875S(ALY) KEC
IC301	0IMCRAD003A	AD9888KS-140 ANALOG DEVICE 128P MQFP	Q201	0TR387500AA	2SC3875S(ALY) KEC
IC401	0IIT323000E	VPC3230D C5 80P QFP	Q202	0TR387500AA	2SC3875S(ALY) KEC
IC403	0IFA741230A	DM74LS123MX 16SOP	Q202	0TR387500AA	2SC3875S(ALY) KEC
IC405	0IMCRGN001B	FLI2310BC GENESIS 208P PQFP	Q203	0TR387500AA	2SC3875S(ALY) KEC
IC406	0IMMRHY033A	HY57V643220C(L)T-6 HYNIX 86P TSOP	Q204	0TR387500AA	2SC3875S(ALY) KEC
IC407	0IIT323000E	VPC3230D C5 80P QFP	Q205	0TR387500AA	2SC3875S(ALY) KEC
IC408	0IMCRGN002B	FLI2300BC GENESIS 208P PQFP	Q206	0TR387500AA	2SC3875S(ALY) KEC
IC409	0IMMRHY033A	HY57V643220C(L)T-6 HYNIX 86P TSOP	Q207	0TR387500AA	2SC3875S(ALY) KEC
IC501	0IMCROT001A	REMBRANT-1A LTD 352BALL	Q208	0TR387500AA	2SC3875S(ALY) KEC
IC502	0IMMRHY033A	HY57V643220C(L)T-6 HYNIX 86P TSOP	Q209	0TR387500AA	2SC3875S(ALY) KEC
IC503	0IMMRHY033A	HY57V643220C(L)T-6 HYNIX 86P TSOP	Q210	0TR387500AA	2SC3875S(ALY) KEC
IC504	0IMMRHY033A	HY57V643220C(L)T-6 HYNIX 86P TSOP	Q211	0TR387500AA	2SC3875S(ALY) KEC
IC601	0IS5160000A	SII160 100 TQFP ST	Q212	0TR387500AA	2SC3875S(ALY) KEC
IC701	0IMCRRS001A	R8820LV RDC SEMICONDUCTOR LTD 100P PQFP	Q213	0TR387500AA	2SC3875S(ALY) KEC
IC702	0IMMRSS064A	K6R4016V1D-TC10 SAMSUNG ELECTRONICS 44P	Q214	0TR387500AA	2SC3875S(ALY) KEC
IC703	0IMMRMR006B	MX29LV160ATTC-70 MACRONIX 48P TSOP	Q215	0TR387500AA	2SC3875S(ALY) KEC
IC704	0IMMRAL025A	AT24C32AN-10SI-2.7 ATMEL 8PIN SOP TP 32K 3.3V	Q216	0TR387500AA	2SC3875S(ALY) KEC
IC741	0IMCRFA013A	74LCX244MTC FAIRCHILD 20P TSSOP	Q217	0TR387500AA	2SC3875S(ALY) KEC
IC742	0IMCRFA013A	74LCX244MTC FAIRCHILD 20P TSSOP	Q218	0TR387500AA	2SC3875S(ALY) KEC
IC743	0ITI745740M	SN74HC574NSR 14P	Q219	0TR387500AA	2SC3875S(ALY) KEC
IC744	0IMCRPH017A	74LVC574APW PHILIPS 20P SOT360-1	Q220	0TR387500AA	2SC3875S(ALY) KEC
IC745	0IPH740800L	74LVT08D 14SOP	Q221	0TR387500AA	2SC3875S(ALY) KEC
IC746	0IMCRPH015A	74LVC32AD PHILIPS 14P SOT108-1	Q270	0TR150400BA	2SA1504S(ASY) KEC
IC747	0IMCRPH016A	74LVC139D PHILIPS 16P SOT109-1	Q271	0TR150400BA	2SA1504S(ASY) KEC
IC748	0IMCRPH014A	74LV132D PHILIPS 14P SOT108-1	Q272	0TR150400BA	2SA1504S(ASY) KEC
IC749	0IKE702700D	KIA7027AF 3, SOT-89 TP RESET IC 2.7V	Q403	0TR387500AA	2SC3875S(ALY) KEC
IC750	0IDS232000A	DS232AS 16P,SOP TP RS-232 DRIVER/RECEIVER	Q404	0TR387500AA	2SC3875S(ALY) KEC
IC751	0IPH858400A	PCF8584T 20P,SOP TP IIC BUS CONTROLLER	Q474	0TR387500AA	2SC3875S(ALY) KEC
IC802	0ISA428200A	LA4282 12S 2CHX10W AUDIO AMP	Q475	0TR387500AA	2SC3875S(ALY) KEC
IC850	0IMCRSJ001A	SC1565IST-1.8 SEMTECH 3P SOT223 TP	Q476	0TR150400BA	2SA1504S(ASY) KEC
IC852	0IMCRFA010A	KA7809R, FAIRCHILD 2P D-PAK	Q477	0TR387500AA	2SC3875S(ALY) KEC
IC853	0IMCRRH001A	BA033FP ROHM 3P-SOP,TO252-3	Q478	0TR104009AF	KRC104S SOT-23 TP KEC
IC857	0IMCRRH001A	BA033FP ROHM 3P-SOP,TO252-3	Q700	0TR387500AA	2SC3875S(ALY) KEC
IC858	0IMCRSH001A	PQ05DZ1U SHARP 5, SMD TYPE	Q720	0TR387500AA	2SC3875S(ALY) KEC
IC859	0IMCRSH001A	PQ05DZ1U SHARP 5, SMD TYPE	Q721	0TR387500AA	2SC3875S(ALY) KEC
IC901	0IMCRMN014A	MSP3440G QA B8 V3 MICRONAS 80 QFP	Q722	0TR387500AA	2SC3875S(ALY) KEC
IC902	0IKE780800J	KIA7808API 3 ST REGULATOR .	Q723	0TR150400BA	2SA1504S(ASY) KEC
IC903	0IMCRSH001A	PQ05DZ1U SHARP 5, SMD TYPE	Q724	0TR387500AA	2SC3875S(ALY) KEC
IC904	0IKE704200J	KIA7042AF SOT-89 TP 4.2V VOLTAGE DETECTOR	Q901	0TR387500AA	2SC3875S(ALY) KEC

For Capacitor & Resistors, the characters at 2nd and 3rd digit in the P/No. means as follows;	CC, CX, CK, CN : Ceramic CQ : Polyester CE : Electrolytic	RD : Carbon Film RS : Metal Oxide Film RN : Metal Film RF : Fusible
--	---	--

LOCA. NO	PART NO	DESCRIPTION
Q902	0TR387500AA	2SC3875S(ALY) KEC
Q903	0TR387500AA	2SC3875S(ALY) KEC
Q904	0TR387500AA	2SC3875S(ALY) KEC
Q905	0TR387500AA	2SC3875S(ALY) KEC
Q906	0TR387500AA	2SC3875S(ALY) KEC
Q907	0TR387500AA	2SC3875S(ALY) KEC
Q908	0TR387500AA	2SC3875S(ALY) KEC
Q909	0TR387500AA	2SC3875S(ALY) KEC
QP101	0TR387500AA	2SC3875S(ALY) KEC
QP102	0TR387500AA	2SC3875S(ALY) KEC
QP103	0TR387500AA	2SC3875S(ALY) KEC
QP104	0TR387500AA	2SC3875S(ALY) KEC
QP105	0TR387500AA	2SC3875S(ALY) KEC
QP106	0TR387500AA	2SC3875S(ALY) KEC
QP107	0TR387500AA	2SC3875S(ALY) KEC
QP108	0TR387500AA	2SC3875S(ALY) KEC
QP109	0TR387500AA	2SC3875S(ALY) KEC
QP110	0TR387500AA	2SC3875S(ALY) KEC
QP111	0TR387500AA	2SC3875S(ALY) KEC
QP112	0TR387500AA	2SC3875S(ALY) KEC
QP113	0TR387500AA	2SC3875S(ALY) KEC
QP114	0TR387500AA	2SC3875S(ALY) KEC

DIODE

D001	0DD184009AA	KDS184S 85V 300MA KEC TP
D001	0DL200000CA	LED, SAM5670(DL-2LRG) BK Y-GREEN -
D002	0DD184009AA	KDS184S 85V 300MA KEC TP
D003	0DD184009AA	KDS184S 85V 300MA KEC TP
D004	0DD184009AA	KDS184S 85V 300MA KEC TP
D006	0DD226239AA	KDS226 SOT-23
D100	0DD226239AA	KDS226 SOT-23
D101	0DD226239AA	KDS226 SOT-23
D102	0DD226239AA	KDS226 SOT-23
D105	0DD226239AA	KDS226 SOT-23
D106	0DD226239AA	KDS226 SOT-23
D107	0DD184009AA	KDS184S 85V 300MA KEC TP
D108	0DD226239AA	KDS226 SOT-23
D109	0DD226239AA	KDS226 SOT-23
D110	0DD226239AA	KDS226 SOT-23
D111	0DD226239AA	KDS226 SOT-23
D112	0DD226239AA	KDS226 SOT-23
D113	0DD226239AA	KDS226 SOT-23
D114	0DD226239AA	KDS226 SOT-23
D115	0DD226239AA	KDS226 SOT-23
D117	0DD226239AA	KDS226 SOT-23
D118	0DD226239AA	KDS226 SOT-23
D854	0DD226239AA	KDS226 SOT-23
D855	0DD226239AA	KDS226 SOT-23
D857	0DD226239AA	KDS226 SOT-23
D870	0DD226239AA	KDS226 SOT-23
D872	0DD226239AA	KDS226 SOT-23
D873	0DD226239AA	KDS226 SOT-23

LOCA. NO	PART NO	DESCRIPTION
D880	0DL233309AC	LED, SAM2333 TP GREEN:10MCD, RED:6MCD
D881	0DL233309AC	LED, SAM2333 TP GREEN:10MCD, RED:6MCD
D882	0DL233309AC	LED, SAM2333 TP GREEN:10MCD, RED:6MCD
D883	0DL233309AC	LED, SAM2333 TP GREEN:10MCD, RED:6MCD
DA105	0DD226239AA	KDS226 SOT-23
DP102	0DD226239AA	KDS226 SOT-23
DP105	0DD226239AA	KDS226 SOT-23
DP111	0DD226239AA	KDS226 SOT-23
DP120	0DD226239AA	KDS226 SOT-23
DP121	0DD226239AA	KDS226 SOT-23
DP122	0DD226239AA	KDS226 SOT-23
DP123	0DD226239AA	KDS226 SOT-23
DP124	0DD226239AA	KDS226 SOT-23
DP125	0DD226239AA	KDS226 SOT-23
DP126	0DD226239AA	KDS226 SOT-23
DP127	0DD226239AA	KDS226 SOT-23
DP128	0DD226239AA	KDS226 SOT-23
DP129	0DD226239AA	KDS226 SOT-23
DP130	0DD226239AA	KDS226 SOT-23
DP131	0DD226239AA	KDS226 SOT-23
DP132	0DD226239AA	KDS226 SOT-23
DP133	0DD226239AA	KDS226 SOT-23
DP135	0DD226239AA	KDS226 SOT-23
DP136	0DD226239AA	KDS226 SOT-23
LD740	0DL233309AC	LED, SAM2333 TP GREEN:10MCD, RED:6MCD
LD741	0DL233309AC	LED, SAM2333 TP GREEN:10MCD, RED:6MCD
LD742	0DL233309AC	LED, SAM2333 TP GREEN:10MCD, RED:6MCD
LD743	0DL233309AC	LED, SAM2333 TP GREEN:10MCD, RED:6MCD
ZD001	0DR050008AA	SD05.TC R/TP SEMTECH SOD323 5V 5A 15A
ZD002	0DR050008AA	SD05.TC R/TP SEMTECH SOD323 5V 5A 15A
ZD830	0DR050008AA	SD05.TC R/TP SEMTECH SOD323 5V 5A 15A
ZD831	0DR050008AA	SD05.TC R/TP SEMTECH SOD323 5V 5A 15A
ZD832	0DR050008AA	SD05.TC R/TP SEMTECH SOD323 5V 5A 15A

CAPACITOR

C002	0CE476SF6DC	47UF MVG 16V M SMD R/TP
C005	0CE107SF6DC	100UF MVG 16V M SMD R/TP
C006	0CE476SF6DC	47UF MVG 16V M SMD R/TP
C007	0CE106SF6DC	10UF MVG 16V 20% R/TP(SMD) SMD
C008	0CE476SF6DC	47UF MVG 16V M SMD R/TP
C010	0CE227VF6DC	220UF MV 16V 20% R/TP(SMD) SMD
C012	0CE107SF6DC	100UF MVG 16V M SMD R/TP
C014	0CE106SF6DC	10UF MVG 16V 20% R/TP(SMD) SMD
C015	0CE106SF6DC	10UF MVG 16V 20% R/TP(SMD) SMD
C017	0CE107SF6DC	100UF MVG 16V M SMD R/TP
C018	0CE474SK6DC	0.47UF MVG 50V M SMD R/TP
C019	0CE474SK6DC	0.47UF MVG 50V M SMD R/TP
C020	0CE335SK6DC	3.3UF MVG 50V 20% SMD R/TP
C021	0CE106SF6DC	10UF MVG 16V 20% R/TP(SMD) SMD
C022	0CE474SK6DC	0.47UF MVG 50V M SMD R/TP
C023	0CE474SK6DC	0.47UF MVG 50V M SMD R/TP
C024	0CE474SK6DC	0.47UF MVG 50V M SMD R/TP

For Capacitor & Resistors, the characters at 2nd and 3rd digit in the P/No. means as follows;	CC, CX, CK, CN : Ceramic	RD : Carbon Film
	CQ : Polyester	RS : Metal Oxide Film
	CE : Electrolytic	RN : Metal Film
		RF : Fusible

LOCA. NO	PART NO	DESCRIPTION
C025	0CE474SK6DC	0.47UF MVG 50V M SMD R/TP
C029	0CE107SF6DC	100UF MVG 16V M SMD R/TP
C030	0CE107SF6DC	100UF MVG 16V M SMD R/TP
C039	0CE105SK6DC	1UF MVG 50V M SMD R/TP
C040	0CE227VF6DC	220UF MV 16V 20% R/TP(SMD) SMD
C041	0CE477DK618	470UF STD 50V 20% FL TP 5
C042	0CE477DK618	470UF STD 50V 20% FL TP 5
C044	0CE107DH618	100UF STD 25V M FL TP5
C045	0CE106SF6DC	10UF MVG 16V 20% R/TP(SMD) SMD
C046	0CQ1521N509	0.0015U 100V K POLY TP
C047	0CE107DH618	100UF STD 25V M FL TP5
C048	0CQ1521N509	0.0015U 100V K POLY TP
C050	0CE476SF6DC	47UF MVG 16V M SMD R/TP
C053	0CE106SF6DC	10UF MVG 16V 20% R/TP(SMD) SMD
C056	0CE107DH618	100UF STD 25V M FL TP5
C057	0CQ1041N509	0.1U 100V K POLY TP
C058	0CE106SF6DC	10UF MVG 16V 20% R/TP(SMD) SMD
C059	0CQ1041N509	0.1U 100V K POLY TP
C090	0CE474SK6DC	0.47UF MVG 50V M SMD R/TP
C091	0CE474SK6DC	0.47UF MVG 50V M SMD R/TP
C092	0CE476SF6DC	47UF MVG 16V M SMD R/TP
C109	0CE476SF6DC	47UF MVG 16V M SMD R/TP
C110	0CE476SF6DC	47UF MVG 16V M SMD R/TP
C1102	0CE106SF6DC	10UF MVG 16V 20% R/TP(SMD) SMD
C1106	0CE227VF6DC	220UF MV 16V 20% R/TP(SMD) SMD
C1107	0CE105SK6DC	1UF MVG 50V M SMD R/TP
C1108	0CE105SK6DC	1UF MVG 50V M SMD R/TP
C111	0CE476SF6DC	47UF MVG 16V M SMD R/TP
C112	0CE107SF6DC	100UF MVG 16V M SMD R/TP
C113	0CE107SF6DC	100UF MVG 16V M SMD R/TP
C114	0CE107SF6DC	100UF MVG 16V M SMD R/TP
C117	0CE107SF6DC	100UF MVG 16V M SMD R/TP
C119	0CE477VF6DC	470UF MV 16V 20% R/TP(SMD) SMD
C121	0CE477VF6DC	470UF MV 16V 20% R/TP(SMD) SMD
C123	0CE477VF6DC	470UF MV 16V 20% R/TP(SMD) SMD
C126	0CE476SF6DC	47UF MVG 16V M SMD R/TP
C127	0CE476SF6DC	47UF MVG 16V M SMD R/TP
C211	0CE476SF6DC	47UF MVG 16V M SMD R/TP
C216	0CE476SF6DC	47UF MVG 16V M SMD R/TP
C221	0CE476SF6DC	47UF MVG 16V M SMD R/TP
C273	0CE107SF6DC	100UF MVG 16V M SMD R/TP
C277	0CE476SF6DC	47UF MVG 16V M SMD R/TP
C292	0CE105SK6DC	1UF MVG 50V M SMD R/TP
C294	0CE107SF6DC	100UF MVG 16V M SMD R/TP
C295	0CE107SF6DC	100UF MVG 16V M SMD R/TP
C300	0CE107SF6DC	100UF MVG 16V M SMD R/TP
C310	0CE106SF6DC	10UF MVG 16V 20% R/TP(SMD) SMD
C314	0CE106SF6DC	10UF MVG 16V 20% R/TP(SMD) SMD
C387	0CK224DF56A	220000PF 2012 16V 10% R/TP X7R
C388	0CK224DF56A	220000PF 2012 16V 10% R/TP X7R
C389	0CK224DF56A	220000PF 2012 16V 10% R/TP X7R
C390	0CE476SF6DC	47UF MVG 16V M SMD R/TP

LOCA. NO	PART NO	DESCRIPTION
C396	0CE476SF6DC	47UF MVG 16V M SMD R/TP
C401	0CE476SF6DC	47UF MVG 16V M SMD R/TP
C416	0CE106SF6DC	10UF MVG 16V 20% R/TP(SMD) SMD
C417	0CE107SF6DC	100UF MVG 16V M SMD R/TP
C419	0CK224DF56A	220000PF 2012 16V 10% R/TP X7R
C433	0CK224DF56A	220000PF 2012 16V 10% R/TP X7R
C434	0CE106SF6DC	10UF MVG 16V 20% R/TP(SMD) SMD
C436	0CK224DF56A	220000PF 2012 16V 10% R/TP X7R
C437	0CK224DF56A	220000PF 2012 16V 10% R/TP X7R
C438	0CK224DF56A	220000PF 2012 16V 10% R/TP X7R
C442	0CK224DF56A	220000PF 2012 16V 10% R/TP X7R
C443	0CK224DF56A	220000PF 2012 16V 10% R/TP X7R
C444	0CK224DF56A	220000PF 2012 16V 10% R/TP X7R
C447	0CK224DF56A	220000PF 2012 16V 10% R/TP X7R
C456	0CE106SF6DC	10UF MVG 16V 20% R/TP(SMD) SMD
C479	0CE106SF6DC	10UF MVG 16V 20% R/TP(SMD) SMD
C485	0CE107SF6DC	100UF MVG 16V M SMD R/TP
C488	0CE106SF6DC	10UF MVG 16V 20% R/TP(SMD) SMD
C489	0CK224DF56A	220000PF 2012 16V 10% R/TP X7R
C491	0CE106SF6DC	10UF MVG 16V 20% R/TP(SMD) SMD
C494	0CK224DF56A	220000PF 2012 16V 10% R/TP X7R
C502	0CK224DF56A	220000PF 2012 16V 10% R/TP X7R
C503	0CK224DF56A	220000PF 2012 16V 10% R/TP X7R
C504	0CK224DF56A	220000PF 2012 16V 10% R/TP X7R
C510	0CK224DF56A	220000PF 2012 16V 10% R/TP X7R
C523	0CN105EJ56A	1.0UF 3216 35V 10% R/TP X7R
C524	0CE106SF6DC	10UF MVG 16V 20% R/TP(SMD) SMD
C671	0CE477DK618	470UF STD 50V 20% FL TP 5
C672	0CE477DK618	470UF STD 50V 20% FL TP 5
C673	0CE477DK618	470UF STD 50V 20% FL TP 5
C674	0CE477DK618	470UF STD 50V 20% FL TP 5
C675	181-120K	2200PF 4KV M E FMTW LEAD 4.5
C676	181-120K	2200PF 4KV M E FMTW LEAD 4.5
C724	0CE105SK6DC	1UF MVG 50V M SMD R/TP
C760	0CE477VF6DC	470UF MV 16V 20% R/TP(SMD) SMD
C765	0CE477VF6DC	470UF MV 16V 20% R/TP(SMD) SMD
C766	0CE477VF6DC	470UF MV 16V 20% R/TP(SMD) SMD
C769	0CE107SF6DC	100UF MVG 16V M SMD R/TP
C772	0CE107SF6DC	100UF MVG 16V M SMD R/TP
C785	0CE476SF6DC	47UF MVG 16V M SMD R/TP
C787	0CE107SF6DC	100UF MVG 16V M SMD R/TP
C788	0CE476SF6DC	47UF MVG 16V M SMD R/TP
C789	0CE476SF6DC	47UF MVG 16V M SMD R/TP
C791	0CE227VF6DC	220UF MV 16V 20% R/TP(SMD) SMD
C793	0CE227VF6DC	220UF MV 16V 20% R/TP(SMD) SMD
C810	0CE476SF6DC	47UF MVG 16V M SMD R/TP
C820	0CE227VF6DC	220UF MV 16V 20% R/TP(SMD) SMD
C824	0CE477VF6DC	470UF MV 16V 20% R/TP(SMD) SMD
C826	0CE107SF6DC	100UF MVG 16V M SMD R/TP
C828	0CE107SF6DC	100UF MVG 16V M SMD R/TP
C833	0CE476SF6DC	47UF MVG 16V M SMD R/TP
C839	0CN105EJ56A	1.0UF 3216 35V 10% R/TP X7R

For Capacitor & Resistors, the characters at 2nd and 3rd digit in the P/No. means as follows;	CC, CX, CK, CN : Ceramic CQ : Polyester CE : Electrolytic	RD : Carbon Film RS : Metal Oxide Film RN : Metal Film RF : Fusible
--	---	--

LOCA. NO	PART NO	DESCRIPTION
C881	0CE107SF6DC	100UF MVG 16V M SMD R/TP
C884	0CE107SF6DC	100UF MVG 16V M SMD R/TP
C887	0CE107SF6DC	100UF MVG 16V M SMD R/TP
C890	0CE476SF6DC	47UF MVG 16V M SMD R/TP
C893	0CE107SF6DC	100UF MVG 16V M SMD R/TP
C912	0CE476SF6DC	47UF MVG 16V M SMD R/TP
C913	0CE107SF6DC	100UF MVG 16V M SMD R/TP
C914	0CE107SF6DC	100UF MVG 16V M SMD R/TP
C915	0CE107SF6DC	100UF MVG 16V M SMD R/TP
C949	0CE477VF6DC	470UF MV 16V 20% R/TP(SMD) SMD
C951	0CE477VF6DC	470UF MV 16V 20% R/TP(SMD) SMD
C964	0CE476SF6DC	47UF MVG 16V M SMD R/TP
C965	0CE476SF6DC	47UF MVG 16V M SMD R/TP
C966	0CE107SF6DC	100UF MVG 16V M SMD R/TP
C967	0CE107SF6DC	100UF MVG 16V M SMD R/TP
C968	0CE227VF6DC	220UF MV 16V 20% R/TP(SMD) SMD
C969	0CE227VF6DC	220UF MV 16V 20% R/TP(SMD) SMD
C971	0CE477VF6DC	470UF MV 16V 20% R/TP(SMD) SMD
C973	0CE477VF6DC	470UF MV 16V 20% R/TP(SMD) SMD
C980	0CE107SF6DC	100UF MVG 16V M SMD R/TP
C981	0CE107SF6DC	100UF MVG 16V M SMD R/TP
C982	0CE476SF6DC	47UF MVG 16V M SMD R/TP
C984	0CE227VF6DC	220UF MV 16V 20% R/TP(SMD) SMD
C986	0CE227VF6DC	220UF MV 16V 20% R/TP(SMD) SMD
C993	0CE476SF6DC	47UF MVG 16V M SMD R/TP
C994	0CE107SF6DC	100UF MVG 16V M SMD R/TP
C995	0CE476SF6DC	47UF MVG 16V M SMD R/TP
CP108	0CE475WJ6DC	4.7UF MVK 35V 20% R/TP(SMD) SMD
CP121	0CE475WJ6DC	4.7UF MVK 35V 20% R/TP(SMD) SMD
CP128	0CE476SF6DC	47UF MVG 16V M SMD R/TP
CP131	0CE476SF6DC	47UF MVG 16V M SMD R/TP
CP132	0CE476SF6DC	47UF MVG 16V M SMD R/TP
CP136	0CE476SF6DC	47UF MVG 16V M SMD R/TP
CP138	0CE105SK6DC	1UF MVG 50V M SMD R/TP
CP140	0CE105SK6DC	1UF MVG 50V M SMD R/TP
CP141	0CE105SK6DC	1UF MVG 50V M SMD R/TP
CP142	0CE105SK6DC	1UF MVG 50V M SMD R/TP
CP144	0CE105SK6DC	1UF MVG 50V M SMD R/TP
CP145	0CE105SK6DC	1UF MVG 50V M SMD R/TP
CP151	0CE105SK6DC	1UF MVG 50V M SMD R/TP
CP152	0CE105SK6DC	1UF MVG 50V M SMD R/TP
CP155	0CE105SK6DC	1UF MVG 50V M SMD R/TP
CP158	0CE105SK6DC	1UF MVG 50V M SMD R/TP
CP162	0CE105SK6DC	1UF MVG 50V M SMD R/TP
CP166	0CE105SK6DC	1UF MVG 50V M SMD R/TP
CP171	0CE476SF6DC	47UF MVG 16V M SMD R/TP
CP174	0CE476SF6DC	47UF MVG 16V M SMD R/TP
CP178	0CE476SF6DC	47UF MVG 16V M SMD R/TP
CP179	0CE476SF6DC	47UF MVG 16V M SMD R/TP
CP180	0CE476SF6DC	47UF MVG 16V M SMD R/TP
CP182	0CE476SF6DC	47UF MVG 16V M SMD R/TP
CP184	0CE476SF6DC	47UF MVG 16V M SMD R/TP

LOCA. NO	PART NO	DESCRIPTION
COIL & INDUCTOR		
L001	0LC1032101A	INDUCTOR,10UH 10% 3216 R/TC FI-C3216-103KJT
L200	0LC0233002A	INDUCTOR,3.3UH CERATECH R/TP
L400	0LC0233002A	INDUCTOR,3.3UH CERATECH R/TP
L401	0LC0233002A	INDUCTOR,3.3UH CERATECH R/TP
L402	0LC0233002A	INDUCTOR,3.3UH CERATECH R/TP
L403	0LC0233002A	INDUCTOR,3.3UH CERATECH R/TP
L404	0LC0233002A	INDUCTOR,3.3UH CERATECH R/TP
L405	0LC0233002A	INDUCTOR,3.3UH CERATECH R/TP
L406	0LC0233002A	INDUCTOR,3.3UH CERATECH R/TP
L470	0LC0233002A	INDUCTOR,3.3UH CERATECH R/TP
L471	0LC0233002A	INDUCTOR,3.3UH CERATECH R/TP
L472	0LC0233002A	INDUCTOR,3.3UH CERATECH R/TP
L473	0LC0233002A	INDUCTOR,3.3UH CERATECH R/TP
L474	0LC0233002A	INDUCTOR,3.3UH CERATECH R/TP
L870	6140VB0004B	26UH 1UEWPHY 22.5TURN YL-9N 0.4
L886	6140VB0004B	26UH 1UEWPHY 22.5TURN YL-9N 0.4
LP101	0LC1032101A	INDUCTOR,10UH 10% 3216 R/TC FI-C3216-103KJT
LP102	0LC1032101A	INDUCTOR,10UH 10% 3216 R/TC FI-C3216-103KJT
LP103	0LC1032101A	INDUCTOR,10UH 10% 3216 R/TC FI-C3216-103KJT
LP104	0LC1032101A	INDUCTOR,10UH 10% 3216 R/TC FI-C3216-103KJT
LP109	0LC1032101A	INDUCTOR,10UH 10% 3216 R/TC FI-C3216-103KJT
LP110	0LC1032101A	INDUCTOR,10UH 10% 3216 R/TC FI-C3216-103KJT
CONNECTOR		
P001A	366-921J	2.5MM 10P GIL-G LG CABLE .
P001B	366-921J	2.5MM 10P GIL-G LG CABLE .
P002A	366-921K	2.5MM 11P GIL-G LG CABLE .
P002B	366-921K	2.5MM 11P GIL-G LG CABLE .
P005A	366-921L	2.5MM 12P GIL-G LG CABLE .
P005B	366-921L	2.5MM 12P GIL-G LG CABLE .
P101	6630VGA001C	68114-1521 MOLEX 15PIN 2.29MM ANGLE SN
P101A	6630VL04008	0-171825-8 AMP 8P 2.5MM NON
P102A	6630VL01380	2-557101-1 AMP 80P 2.54MM RECEPTACLE
P102A	366-932C	2.5MM 4P GIL-G LG CABLE S (STICK)
P102B	387-B04C	4P 2.5MM 200MM H-B UL1185AWG26
P108	6602T12002M	53261-1390 MOLEX 13P 1.25MM R/A SMD
P108A	6602T12002M	53261-1390 MOLEX 13P 1.25MM R/A SMD
P111A	366-932D	2.5MM 5P GIL-G LG CABLE S (STICK)
P600	6602T11001A	FI-TWE21P-VF JAE 21P 1.25MM S/T
P741	6630VGA004B	69107-0921 MOLEX 9P 2.77MM
P800	6602V25009L	2.5MM 12P 1-171825-2 AMP MN-42PZ10
P801	6602V39003A	3.96MM 3P 2-178496-1 AMP MN-42PZ10
P801	6602V25009F	2.5MM 7P 0-171825-7 AMP MN-42PZ10
P802	6602V39003A	3.96MM 3P 2-178496-1 AMP MN-42PZ10
P802	366-932B	2.5MM 3P GIL-G LG CABLE S (STICK)
P803	366-932B	2.5MM 3P GIL-G LG CABLE S (STICK)
JACK		
JP1	6612VLH002A	SP026B PARK ELEC 4P RD/BK/BK/RD
P102	380-068D	UEJ-CV-003 UGCOM E/P WITH S/W STEREO(068B) D3.5

For Capacitor & Resistors, the characters at 2nd and 3rd digit in the P/No. means as follows;

CC, CX, CK, CN : Ceramic	RD : Carbon Film
CQ : Polyester	RS : Metal Oxide Film
CE : Electrolytic	RN : Metal Film
	RF : Fusible

LOCA. NO	PART NO	DESCRIPTION
P103	6612BBBH6A	440062-1 AMP DVI INTERACED RIGHT ANGLE
PP101	380-363K	PJ6046G H=8.0 W/O S/W,W/SHIELD,W/O BOSS
PP102	6612JH003CA	PPJ137A PARK ELEC. AUDIO L-MONO JACK
SCT1	6612M00001A	UPJ-R1-023 UGCOM 21PIN W/SHLD
SCT2	6612M00001A	UPJ-R1-023 UGCOM 21PIN W/SHLD
RESISTOR		
A692	0RRZVTA001D	22 OHM 1 / 16 W 1608 5%
AR260	0RRZVTA001D	22 OHM 1 / 16 W 1608 5%
AR261	0RRZVTA001D	22 OHM 1 / 16 W 1608 5%
AR262	0RRZVTA001D	22 OHM 1 / 16 W 1608 5%
AR263	0RRZVTA001D	22 OHM 1 / 16 W 1608 5%
AR264	0RRZVTA001D	22 OHM 1 / 16 W 1608 5%
AR265	0RRZVTA001D	22 OHM 1 / 16 W 1608 5%
AR266	0RRZVTA001D	22 OHM 1 / 16 W 1608 5%
AR267	0RRZVTA001D	22 OHM 1 / 16 W 1608 5%
AR268	0RRZVTA001D	22 OHM 1 / 16 W 1608 5%
AR269	0RRZVTA001D	22 OHM 1 / 16 W 1608 5%
AR270	0RRZVTA001D	22 OHM 1 / 16 W 1608 5%
AR271	0RRZVTA001D	22 OHM 1 / 16 W 1608 5%
AR330	0RRZVTA001D	22 OHM 1 / 16 W 1608 5%
AR332	0RRZVTA001D	22 OHM 1 / 16 W 1608 5%
AR333	0RRZVTA001D	22 OHM 1 / 16 W 1608 5%
AR334	0RRZVTA001D	22 OHM 1 / 16 W 1608 5%
AR335	0RRZVTA001D	22 OHM 1 / 16 W 1608 5%
AR336	0RRZVTA001D	22 OHM 1 / 16 W 1608 5%
AR337	0RRZVTA001D	22 OHM 1 / 16 W 1608 5%
AR338	0RRZVTA001D	22 OHM 1 / 16 W 1608 5%
AR339	0RRZVTA001D	22 OHM 1 / 16 W 1608 5%
AR340	0RRZVTA001D	22 OHM 1 / 16 W 1608 5%
AR341	0RRZVTA001D	22 OHM 1 / 16 W 1608 5%
AR342	0RRZVTA001D	22 OHM 1 / 16 W 1608 5%
AR400	0RRZVTA001D	22 OHM 1 / 16 W 1608 5%
AR401	0RRZVTA001D	22 OHM 1 / 16 W 1608 5%
AR402	0RRZVTA001D	22 OHM 1 / 16 W 1608 5%
AR403	0RRZVTA001D	22 OHM 1 / 16 W 1608 5%
AR404	0RRZVTA001D	22 OHM 1 / 16 W 1608 5%
AR405	0RRZVTA001D	22 OHM 1 / 16 W 1608 5%
AR406	0RRZVTA001D	22 OHM 1 / 16 W 1608 5%
AR407	0RRZVTA001D	22 OHM 1 / 16 W 1608 5%
AR460	0RRZVTA001D	22 OHM 1 / 16 W 1608 5%
AR461	0RRZVTA001D	22 OHM 1 / 16 W 1608 5%
AR462	0RRZVTA001D	22 OHM 1 / 16 W 1608 5%
AR463	0RRZVTA001D	22 OHM 1 / 16 W 1608 5%
AR465	0RRZVTA001D	22 OHM 1 / 16 W 1608 5%
AR466	0RRZVTA001D	22 OHM 1 / 16 W 1608 5%
AR467	0RRZVTA001D	22 OHM 1 / 16 W 1608 5%
AR468	0RRZVTA001D	22 OHM 1 / 16 W 1608 5%
AR469	0RRZVTA001D	22 OHM 1 / 16 W 1608 5%
AR470	0RRZVTA001D	22 OHM 1 / 16 W 1608 5%
AR471	0RRZVTA001D	22 OHM 1 / 16 W 1608 5%
AR472	0RRZVTA001D	22 OHM 1 / 16 W 1608 5%

LOCA. NO	PART NO	DESCRIPTION
AR473	0RRZVTA001D	22 OHM 1 / 16 W 1608 5%
AR474	0RRZVTA001D	22 OHM 1 / 16 W 1608 5%
AR475	0RRZVTA001D	22 OHM 1 / 16 W 1608 5%
AR512	0RRZVTA001D	22 OHM 1 / 16 W 1608 5%
AR513	0RRZVTA001D	22 OHM 1 / 16 W 1608 5%
AR514	0RRZVTA001D	22 OHM 1 / 16 W 1608 5%
AR515	0RRZVTA001D	22 OHM 1 / 16 W 1608 5%
AR550	0RRZVTA001C	4.7K OHM 1 / 16 W 1608 5%
AR551	0RRZVTA001C	4.7K OHM 1 / 16 W 1608 5%
AR552	0RRZVTA001C	4.7K OHM 1 / 16 W 1608 5%
AR553	0RRZVTA001C	4.7K OHM 1 / 16 W 1608 5%
AR589	0RRZVTA001D	22 OHM 1 / 16 W 1608 5%
AR590	0RRZVTA001D	22 OHM 1 / 16 W 1608 5%
AR691	0RRZVTA001D	22 OHM 1 / 16 W 1608 5%
AR693	0RRZVTA001D	22 OHM 1 / 16 W 1608 5%
AR694	0RRZVTA001D	22 OHM 1 / 16 W 1608 5%
AR695	0RRZVTA001D	22 OHM 1 / 16 W 1608 5%
AR696	0RRZVTA001D	22 OHM 1 / 16 W 1608 5%
R020	0RS2701K607	2.7K OHM 2 W 5.00% TA62
R021	0RS2701K607	2.7K OHM 2 W 5.00% TA62
R030	0RS0221H609	2.2 OHM 1/2 W 5.00% TA52
R032	0RS0221H609	2.2 OHM 1/2 W 5.00% TA52
R1111	0RD0152H609	15 OHM 1/2 W 5.00% TA52
R655	0RD4700H609	470 OHM 1/2 W 5.00% TA52
R656	0RD4700H609	470 OHM 1/2 W 5.00% TA52
FILTER & CRYSTAL		
F601	6200VJS001A	ZJY51R5-4P TDK DIP DC 50VOLT 2A
F602	6200VJS001A	ZJY51R5-4P TDK DIP DC 50VOLT 2A
L001	6210VC0006A	FBMH3216 HM501NT TAIYOYUDEN 3.2X1.6X1.6MM
L002	6210VC0006A	FBMH3216 HM501NT TAIYOYUDEN 3.2X1.6X1.6MM
L003	6210VC0006A	FBMH3216 HM501NT TAIYOYUDEN 3.2X1.6X1.6MM
L004	6210VC0006A	FBMH3216 HM501NT TAIYOYUDEN 3.2X1.6X1.6MM
L270	6210VC0006A	FBMH3216 HM501NT TAIYOYUDEN 3.2X1.6X1.6MM
L271	6210VC0006A	FBMH3216 HM501NT TAIYOYUDEN 3.2X1.6X1.6MM
L272	6210VC0006A	FBMH3216 HM501NT TAIYOYUDEN 3.2X1.6X1.6MM
L273	6210VC0006A	FBMH3216 HM501NT TAIYOYUDEN 3.2X1.6X1.6MM
L274	6210VC0005A	BK2125 HS 750 TAIYOYUDEN 2X1.25X0.85MM
L275	6210VC0005A	BK2125 HS 750 TAIYOYUDEN 2X1.25X0.85MM
L276	6210VC0005A	BK2125 HS 750 TAIYOYUDEN 2X1.25X0.85MM
L872	6210VC0006A	FBMH3216 HM501NT TAIYOYUDEN 3.2X1.6X1.6MM
L873	6210VC0006A	FBMH3216 HM501NT TAIYOYUDEN 3.2X1.6X1.6MM
L874	6210VC0006A	FBMH3216 HM501NT TAIYOYUDEN 3.2X1.6X1.6MM
L875	6210VC0006A	FBMH3216 HM501NT TAIYOYUDEN 3.2X1.6X1.6MM
L876	6210VC0006A	FBMH3216 HM501NT TAIYOYUDEN 3.2X1.6X1.6MM
L877	6210VC0006A	FBMH3216 HM501NT TAIYOYUDEN 3.2X1.6X1.6MM
L878	6210VC0006A	FBMH3216 HM501NT TAIYOYUDEN 3.2X1.6X1.6MM
L879	6210VC0006A	FBMH3216 HM501NT TAIYOYUDEN 3.2X1.6X1.6MM
L881	6210VC0006A	FBMH3216 HM501NT TAIYOYUDEN 3.2X1.6X1.6MM
L882	6210VC0006A	FBMH3216 HM501NT TAIYOYUDEN 3.2X1.6X1.6MM
L883	6210VC0006A	FBMH3216 HM501NT TAIYOYUDEN 3.2X1.6X1.6MM
L884	6210VC0006A	FBMH3216 HM501NT TAIYOYUDEN 3.2X1.6X1.6MM

LOCA. NO	PART NO	DESCRIPTION
L887	6210VC0006A	FBMH3216 HM501NT TAIYOYUDEN 3.2X1.6X1.6MM
L888	6210VC0006A	FBMH3216 HM501NT TAIYOYUDEN 3.2X1.6X1.6MM
L889	6210VC0006A	FBMH3216 HM501NT TAIYOYUDEN 3.2X1.6X1.6MM
L890	6210VC0006A	FBMH3216 HM501NT TAIYOYUDEN 3.2X1.6X1.6MM
L891	6210VC0006A	FBMH3216 HM501NT TAIYOYUDEN 3.2X1.6X1.6MM
L892	6210VC0006A	FBMH3216 HM501NT TAIYOYUDEN 3.2X1.6X1.6MM
L900	6210VC0006A	FBMH3216 HM501NT TAIYOYUDEN 3.2X1.6X1.6MM
L901	6210VC0006A	FBMH3216 HM501NT TAIYOYUDEN 3.2X1.6X1.6MM
L902	6210VC0006A	FBMH3216 HM501NT TAIYOYUDEN 3.2X1.6X1.6MM
L903	6210VC0006A	FBMH3216 HM501NT TAIYOYUDEN 3.2X1.6X1.6MM
L904	6210VC0006A	FBMH3216 HM501NT TAIYOYUDEN 3.2X1.6X1.6MM
L905	6210VC0006A	FBMH3216 HM501NT TAIYOYUDEN 3.2X1.6X1.6MM
L906	6210VC0006A	FBMH3216 HM501NT TAIYOYUDEN 3.2X1.6X1.6MM
L907	6210VC0006A	FBMH3216 HM501NT TAIYOYUDEN 3.2X1.6X1.6MM
L908	6210VC0006A	FBMH3216 HM501NT TAIYOYUDEN 3.2X1.6X1.6MM
L909	6210VC0006A	FBMH3216 HM501NT TAIYOYUDEN 3.2X1.6X1.6MM
L910	6210VC0006A	FBMH3216 HM501NT TAIYOYUDEN 3.2X1.6X1.6MM
L911	6210VC0006A	FBMH3216 HM501NT TAIYOYUDEN 3.2X1.6X1.6MM
L912	6210VC0006A	FBMH3216 HM501NT TAIYOYUDEN 3.2X1.6X1.6MM
L913	6210VC0006A	FBMH3216 HM501NT TAIYOYUDEN 3.2X1.6X1.6MM
L914	6210VC0006A	FBMH3216 HM501NT TAIYOYUDEN 3.2X1.6X1.6MM
L915	6210VC0006A	FBMH3216 HM501NT TAIYOYUDEN 3.2X1.6X1.6MM
L916	6210VC0006A	FBMH3216 HM501NT TAIYOYUDEN 3.2X1.6X1.6MM
L917	6210VC0006A	FBMH3216 HM501NT TAIYOYUDEN 3.2X1.6X1.6MM
L918	6210VC0006A	FBMH3216 HM501NT TAIYOYUDEN 3.2X1.6X1.6MM
L919	6210VC0006A	FBMH3216 HM501NT TAIYOYUDEN 3.2X1.6X1.6MM
L920	6210VC0006A	FBMH3216 HM501NT TAIYOYUDEN 3.2X1.6X1.6MM
L921	6210VC0006A	FBMH3216 HM501NT TAIYOYUDEN 3.2X1.6X1.6MM
L922	6210VC0006A	FBMH3216 HM501NT TAIYOYUDEN 3.2X1.6X1.6MM
L923	6210VC0006A	FBMH3216 HM501NT TAIYOYUDEN 3.2X1.6X1.6MM
LA101	150-F09A	SQE2222 7-14MH 0.37PHY 48TURN TDA2616
LP111	6210VC0006A	FBMH3216 HM501NT TAIYOYUDEN 3.2X1.6X1.6MM
LP114	6210VC0006A	FBMH3216 HM501NT TAIYOYUDEN 3.2X1.6X1.6MM
LP115	6210VC0006A	FBMH3216 HM501NT TAIYOYUDEN 3.2X1.6X1.6MM
LP116	6210VC0006A	FBMH3216 HM501NT TAIYOYUDEN 3.2X1.6X1.6MM
X401	6202VDT002E	RESONATOR,CRYSTAL 20250000HZ 30PPM 16PF
X402	6202VDT002J	RESONATOR,CRYSTAL SX-1 13.500000MHZ +/- 50PPM
X470	6202VDT002E	RESONATOR,CRYSTAL SX-1SMD 20250000HZ 30PPM 16PF
X501	6202VDT002J	RESONATOR,CRYSTAL SX-113.500000MHZ +/- 50 PPM 14PF
X601	156-A02M	RESONATOR,CRYSTAL HC49U 18.432MHZ 30PPM 10PF
X720	6212AB2015C	RESONATOR,CRYSTAL HC-49/SM4H 25MHZ +/- 50 PPM 20PF
SWITCH		
SW001	140-315A	TACT SKHV17910B LG C&D NON 12V
SW002	140-315A	TACT SKHV17910B LG C&D NON 12V
SW003	140-315A	TACT SKHV17910B LG C&D NON 12V
SW004	140-315A	TACT SKHV17910B LG C&D NON 12V
SW005	140-315A	TACT SKHV17910B LG C&D NON 12V
SW006	140-315A	TACT SKHV17910B LG C&D NON 12V
SW102	140-275A	PUSH JDPB21SA EVLAND NON 30V 0.3A
SW800	6600VM2006A	SDDF3PATP011 POSTEC UNIVERSAL 250V 4A

LOCA. NO	PART NO	DESCRIPTION
ACCESSORIES		
A1	3828VA0388M	MANUAL,OWNERS RF03FA 42WM03L THOMSON
A2	6710V00120A	REMOTE CONTROLLER, RF03FA STEREO
A3	6410VEH003C	POWER CORD, M2511A-001 2800MM
A4	6850J00002A	CABLE,DVI DVI-D TO DVI-D UL20276 3000MM
A5	6866VA9001B	CONNECTOR (CIRC),D-SUB 2990-9C
MISCELLANEOUS		
P001	6726VV0006E	REMOTE CONTROLLER RECEIVER, TSOP4838RF1
X830	6204B47985D	OSCILLATOR, SCO-103 SUNNY 12MHZ +/-100PPM 3.3V