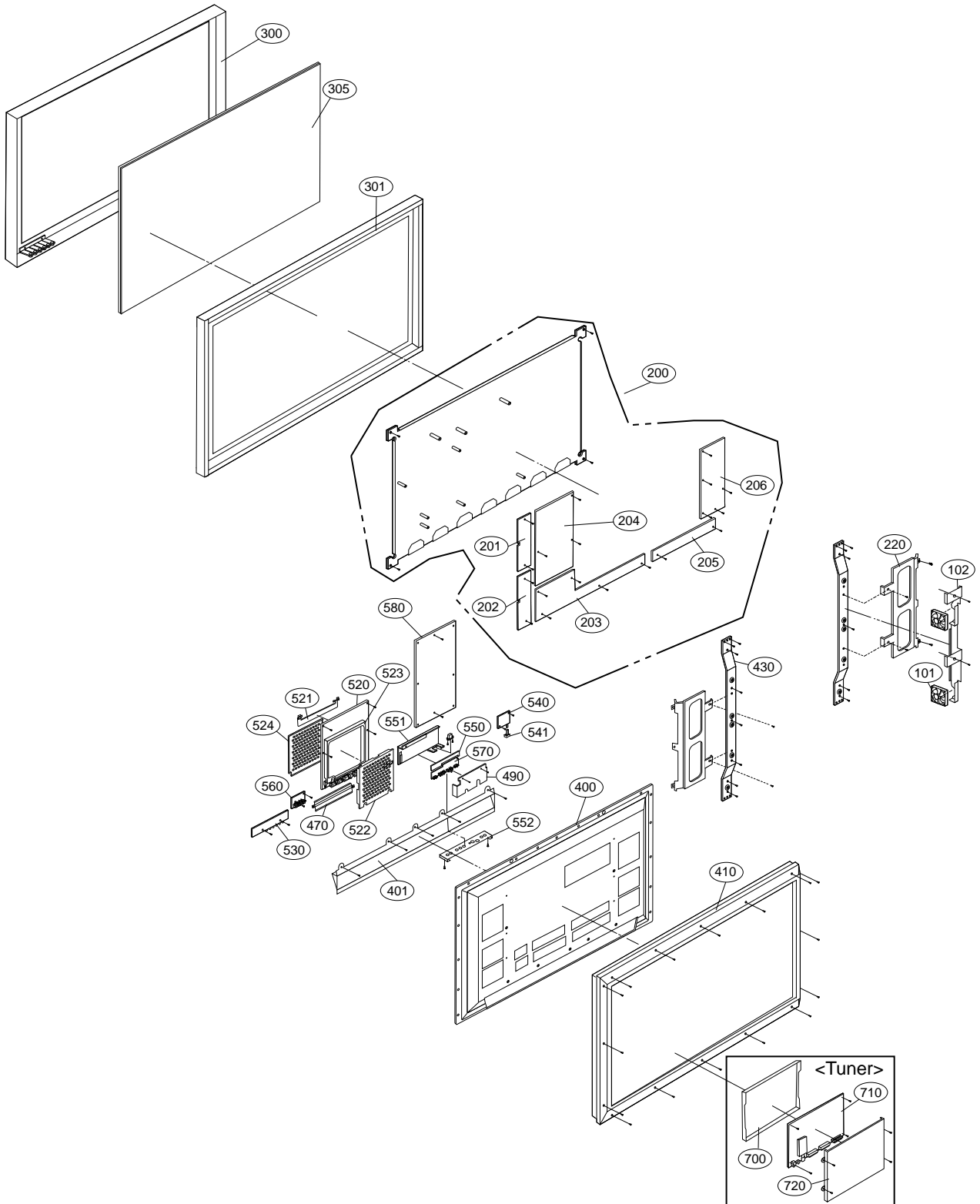


# EXPLODED VIEW



# EXPLODED VIEW PARTS LIST

No.	Part No.	Description
101	5900V04009A	FAN,DC 412F/39M PAPST 40*40*10 12V/45MA 4300RPM 17 PDP 42"
102	4980V00985B	SUPPORTER, FAN EGI SKD
200	6348Q-E036A	PDP, 42" 16:9 852*480 PDP42V50000(KK MODEL), FOR INTERCOMPANY DOMESTIC, WOODEN PALLET
	6348Q-E038B	PDP, 42" 16:9 852*480 PDP42V50330.ADLGA
201	6871QDH051A	PWB ASSEMBLY,DISPLAY YDRV ASSY HAND INSERT 42SD5_YDRV_TOP_TI_4LAYER
202	6871QDH052A	PWB ASSEMBLY,DISPLAY YDRV ASSY HAND INSERT 42SD5_YDRV_BTM_TI_4LAYER
203	6871QCH025A	PWB ASSEMBLY,DISPLAY CTRL ASSY HAND INSERT 42SD5_CTRL BD(LPCMC1121)
	6871QCH031C	PWB(PCB) ASSEMBLY,DISPLAY CTRL ASSY HAND INSERT 42V5 TMD5 LGPCMV1222H
204	6871QYH027A	PWB ASSEMBLY,DISPLAY YSUS ASSY HAND INSERT 42SD5_SEPERATED_YSUS
	6871QYH027B	PWB(PCB) ASSEMBLY,DISPLAY YSUS ASSY HAND INSERT 42V5 SONY STANDRAD
205	6871QRH034A	PWB ASSEMBLY,DISPLAY XRRT ASSY HAND INSERT 42SD5_XR_SEPERATE(4 LAYER)
206	6871QZH030A	PWB ASSEMBLY,DISPLAY ZSUS ASSY HAND INSERT 42SD5(YZ SEPARATE)
	6871QZH030B	PWB(PCB) ASSEMBLY,DISPLAY ZSUS ASSY HAND INSERT 42V5 SONY STANDARD
210	4980V00460A	SUPPORTER, VERTICAL MN-42PZ40 .
	4980V00460B	SUPPORTER, MODULE EGI SKD
220	4980V00464B	SUPPORTER, SPK SBHG
	4980V00464C	SUPPORTER, SPK SBHG MT-42PZ41V
300	3091V00B01S	CABINET ASSEMBLY, MZ-42PZ44 KK MODULE
	3091V00B01P	MZ-42PZ43VS RE02RA SKD
	3091V00B01T	CABINET ASSEMBLY, MZ-42PZ44 KK VGA SKD
301	3110V00229A	CASE, ASSY MN-42PZ40
	3110V00229B	CASE, ASSY MT-42PZ41V LGESY SKD
305	3790V00281E	FILTER(MECH) MN-42PZ40S 1142G03E GLASS NBK MESH SINGLE AR
	3790V00709B	FILTER(MECH), MN42PZ41 LGM42-01 MITSUI 42" ETCHING MESH GLASS FILTER
400	3809V00A47K	BACK COVER ASSEMBLY
	3809V00A47M	BACK COVER ASSEMBLY, MZ-42PZ45V SKD
401	3301V00010G	PLATE ASSEMBLY, A/V
	3301V00010R	PLATE ASSEMBLY, A/V 3300V00205D WALES SKD
410	3809V00A58F	BACK COVER ASSEMBLY
	3809V00A58G	BACK COVER ASSEMBLY, MZ-42PZ44 KK VGA SKD
470	4814V00344C	SHIELD, PLATE MZ-42PZ44 RF03FA ET SUSTAIN
	4814V00344D	SHIELD, PLATE MZ-42PZ44 RF03FA ET SKD
	4814V00344F	SHIELD, PLATE MZ-42PZ44 RF03FA ET SKD
490	4814V00309B	SHIELD, COVER RJ-42PZ40 RF02KC AL AC SOCKET
	4814V00309D	SHIELD, MN-42PZ40 RF02RA AL SKD
520	6871VMMQ79A	PWB(PCB) ASSEMBLY,MAIN RF-03FA MT NORMAL
	6871VMMQ79C	PWB(PCB) ASSEMBLY,MAIN RF-03FA RUSSIA
	6871VMM498B	PWB(PCB) ASSEMBLY,MAIN RF03FA MANUAL VSC PIGGY BACK
522	4814V00357C	SHIELD, CASE MZ-42PZ44 SBHG TOP PRESS
523	4814V00358C	SHIELD, CASE MZ-42PZ44 SBHG MIDDLE PRESS
524	4814V00359C	SHIELD, CASE MZ-42PZ44 SBHG BOTTOM PRESS
530	6871VSMU44A	PWB ASSEMBLY,SUB CONT RF03GA MU-42PZ44
540	6871VSMV04A	PWB ASSEMBLY,SUB PSW RF03GA MU-42PZ44
541	5020V00666A	BUTTON, POWER MT-42PZ41V ABS, AF-303S 1KEY
	5020V00666C	BUTTON, POWER MT-42PZ41V ABS, AF-303S 1KEY LGESY SKD
550	6871VSMU96A	PWB ASSEMBLY,SUB INTER RF03FA FIX B/D ASSY
551	4980V00465D	SUPPORTER, AV INTERFACE SBHG MU-42PZ41
	4980V00465F	SUPPORTER
552	4980V00748C	SUPPORTER AV INTERFACE
	4980V00748J	SUPPORTER, AV INTERFACE EGI MZ-42PZ44 SKD
560	6871VSMU45A	PWB ASSEMBLY,SUB SPK RF03GA MU-42PZ44
570	6871VSMU53B	PWB ASSEMBLY,SUB A/V RF03FA PIGGYBACK-RCA
580	3501V00149A	BOARD ASSEMBLY, POWER MZ42PZ44 RF03FA MPF7407 MURATA 42KK
580	3501V00149B	BOARD ASSEMBLY, POWER MT42PZ44 RF03FA MPF7407 MURATA 42KK
<b>TUNER (RT/RZ-BA50)</b>		
700	3110V00237E	CASE, TUNER RZ-BA50 EGI BOTTOM ASSY
	3110V00237F	CASE, TUNER RT-BA50 EGI BOTTOM ASSY
710	6871VMM499B	PWB ASSEMBLY,MAIN RF03FA PIGGYBACK STB-SCART
	6871VMM500C	PWB ASSEMBLY,MAIN RF03FA PIGGYBACK STB-SCART
720	3110V00242E	CASE, TUNER RZ-BA50 EGI TOP ASSY
	3110V00242F	CASE, TUNER RT-BA50 EGI TOP ASSY

## REPLACEMENT PARTS LIST (MONITOR)

LOCA. NO	PART NO	DESCRIPTION	LOCA. NO	PART NO	DESCRIPTION
<b>IC</b>			<b>TRANSISTOR</b>		
IC001	0ISO208900A	IC, CXA2089Q 48QFP BK A/V SWITCH	IC203	0TR830009BA	TR, BSS83 TP N-CHANNEL S/W
IC002	0IMCRFA010A	IC, KA7809R, FAIRCHILD 2P D-PAK, R/TP REGULATOR	IC204	0TR830009BA	TR, BSS83 TP N-CHANNEL S/W
IC101	0IAL242110A	IC, AT24C21-10SI-2.5 8P,SOP TP 1K EEPROM	Q001	0TR387500AA	TR, CHIP 2SC3875S(ALY) KEC
IC102	0IAL242110A	IC, AT24C21-10SI-2.5 8P,SOP TP 1K EEPROM	Q001	0TR387500AA	TR, CHIP 2SC3875S(ALY) KEC
IC103	0IMCRTI003A	IC, SN74HCT08D TEXAS INSTRUMENT 16P R/TP	Q001	0TR150400BA	TR, CHIP 2SA1504S(ASY) KEC
IC104	0IPRPBB005A	IC, OPA3692IDBQ BUR BROWN 16PIN SSOP R/TP	Q002	0TR387500AA	TR, CHIP 2SC3875S(ALY) KEC
IC1101	0IDS162100B	IC, DS1621V 8P SOIC ST THERMOSTAT -	Q002	0TR387500AA	TR, CHIP 2SC3875S(ALY) KEC
IC1102	0IMCRPH015A	IC, 74LVC32AD PHILIPS 14P SOT108-1 R/TP	Q002	0TR150400BA	TR, CHIP 2SA1504S(ASY) KEC
IC1103	0ISH092100B	IC, PQ09RD21 4SIP ST REGULATOR -	Q003	0TR387500AA	TR, CHIP 2SC3875S(ALY) KEC
IC1104	0ISH122100B	IC, PQ12RD21 4SIP ST REGULATOR -	Q003	0TR150400BA	TR, CHIP 2SA1504S(ASY) KEC
IC201	0ISO210100B	IC, CXA2101AQ 80P,QFP BK VIDEO SIGNAL	Q004	0TR387500AA	TR, CHIP 2SC3875S(ALY) KEC
IC202	0IPRPPTI001A	IC, TFP401PZP TEXAS INSTRUMENT 100,TQFP R/TP	Q005	0TR387500AA	TR, CHIP 2SC3875S(ALY) KEC
IC205	0IMCRTI003A	IC, SN74HCT08D TEXAS INSTRUMENT 16P R/TP	Q006	0TR387500AA	TR, CHIP 2SC3875S(ALY) KEC
IC301	0IMCRAD003A	IC, AD9888KS-140 ANALOG DEVICE 128P MQFP	Q007	0TR387500AA	TR, CHIP 2SC3875S(ALY) KEC
IC401	0IIT323000E	IC, VPC3230D C5 80P QFP TRAY VIDEO	Q008	0TR387500AA	TR, CHIP 2SC3875S(ALY) KEC
IC403	0IFA741230A	IC, DM74LS123MX 16SOP TP DUAL RETRIG.	Q008	0TR387500AA	TR, CHIP 2SC3875S(ALY) KEC
IC405	0IMCRGN001B	IC, FLI2310BC GENESIS 208P PQFP	Q009	0TR387500AA	TR, CHIP 2SC3875S(ALY) KEC
IC406	0IMMRHY033A	IC, HY57V643220C(L)T-6 HYNIX 86P TSOP	Q009	0TR387500AA	TR, CHIP 2SC3875S(ALY) KEC
IC407	0IIT323000E	IC, VPC3230D C5 80P QFP TRAY VIDEO	Q200	0TR387500AA	TR, CHIP 2SC3875S(ALY) KEC
IC408	0IMCRGN002B	IC, FLI2300BC GENESIS 208P PQFP	Q201	0TR387500AA	TR, CHIP 2SC3875S(ALY) KEC
IC409	0IMMRHY033A	IC, HY57V643220C(L)T-6 HYNIX 86P TSOP	Q202	0TR387500AA	TR, CHIP 2SC3875S(ALY) KEC
IC501	0IMCROT001A	IC, REMBRANT-1A OPLUS TECHNOLOGIES LTD 352BALL	Q203	0TR387500AA	TR, CHIP 2SC3875S(ALY) KEC
IC502	0IMMRHY033A	IC, HY57V643220C(L)T-6 HYNIX 86P TSOP	Q204	0TR387500AA	TR, CHIP 2SC3875S(ALY) KEC
IC503	0IMMRHY033A	IC, HY57V643220C(L)T-6 HYNIX 86P TSOP	Q205	0TR387500AA	TR, CHIP 2SC3875S(ALY) KEC
IC504	0IMMRHY033A	IC, HY57V643220C(L)T-6 HYNIX 86P TSOP	Q206	0TR387500AA	TR, CHIP 2SC3875S(ALY) KEC
IC601	0IS5160000A	IC, SII160 100 TQFP ST PANELLINK	Q207	0TR387500AA	TR, CHIP 2SC3875S(ALY) KEC
IC701	0IMCRRS001A	IC, R8820LV RDC SEMICONDUCTOR LTD 100P PQFP	Q208	0TR387500AA	TR, CHIP 2SC3875S(ALY) KEC
IC702	0IMMRSS064A	IC, K6R4016V1D-TC10 44P TSOP2-400BF R/TP 4M(256K*16)	Q209	0TR387500AA	TR, CHIP 2SC3875S(ALY) KEC
IC703	0IMMRMR006A	IC, COPY MX29LV160TTC-70 MACRONIX 48P TSOP R/TP	Q210	0TR387500AA	TR, CHIP 2SC3875S(ALY) KEC
IC704	0IMMRAL025A	IC, AT24C32AN-10SI-2.7 ATMEL 8PIN SOP TP 32K 3.3V	Q211	0TR387500AA	TR, CHIP 2SC3875S(ALY) KEC
IC741	0IMCRFA013A	IC, 74LCX244MTC FAIRCHILD 20P TSSOP R/TP	Q212	0TR387500AA	TR, CHIP 2SC3875S(ALY) KEC
IC742	0IMCRFA013A	IC, 74LCX244MTC FAIRCHILD 20P TSSOP R/TP	Q213	0TR387500AA	TR, CHIP 2SC3875S(ALY) KEC
IC743	0ITI745740M	IC, SN74HC574NSR 14P,SOP TP D-TYPE EDGE	Q214	0TR387500AA	TR, CHIP 2SC3875S(ALY) KEC
IC744	0IMCRPH017A	IC, 74LVC574APW 20P SOT360-1 R/TP D-TYPE FLIP-FLOP	Q215	0TR387500AA	TR, CHIP 2SC3875S(ALY) KEC
IC745	0IPH740800L	IC, 74LVT08D 14SOP R/TP LOW VOLTAGE AND DI-32Q&2	Q216	0TR387500AA	TR, CHIP 2SC3875S(ALY) KEC
IC746	0IMCRPH015A	IC, 74LVC32AD 14P SOT108-1 R/TP QUAD 2-IN OR GATE	Q217	0TR387500AA	TR, CHIP 2SC3875S(ALY) KEC
IC747	0IMCRPH016A	IC, 74LVC139D PHILIPS 16P SOT109-1 R/TP	Q218	0TR387500AA	TR, CHIP 2SC3875S(ALY) KEC
IC748	0IMCRPH014A	IC, 74LV132D 14P SOT108-1 R/TP QUAD 2-IN	Q219	0TR387500AA	TR, CHIP 2SC3875S(ALY) KEC
IC749	0IKE702700D	IC, KIA7027AF 3, SOT-89 TP RESET IC 2.7V	Q220	0TR387500AA	TR, CHIP 2SC3875S(ALY) KEC
IC750	0IDS232000A	IC, DS232AS 16P,SOP TP RS-232 DRIVER/RECEIVER	Q221	0TR387500AA	TR, CHIP 2SC3875S(ALY) KEC
IC751	0IPH858400A	IC, PCF8584T 20P,SOP TP IIC BUS CONTROLLER	Q270	0TR150400BA	TR, CHIP 2SA1504S(ASY) KEC
IC802	0ISA428200A	IC, LA4282 12S 2CHX10W AUDIO AMP	Q271	0TR150400BA	TR, CHIP 2SA1504S(ASY) KEC
IC850	0IMCRSJ001A	IC, SC1565IST-1.8 SEMTECH 3P SOT223 TP REGULATOR	Q272	0TR150400BA	TR, CHIP 2SA1504S(ASY) KEC
IC852	0IMCRFA010A	IC, KA7809R, FAIRCHILD 2P D-PAK, R/TP	Q403	0TR387500AA	TR, CHIP 2SC3875S(ALY) KEC
IC853	0IMCRRH001A	IC, BA033FP ROHM 3P-SOP,TO252-3 R/TP 3.3V REGULATOR	Q404	0TR387500AA	TR, CHIP 2SC3875S(ALY) KEC
IC857	0IMCRRH001A	IC, BA033FP ROHM 3P-SOP,TO252-3 R/TP 3.3V REGULATOR	Q474	0TR387500AA	TR, CHIP 2SC3875S(ALY) KEC
IC858	0IMCRSH001A	IC, PQ05DZ1U SHARP 5, SMD TYPE R/TP REGULATOR	Q475	0TR387500AA	TR, CHIP 2SC3875S(ALY) KEC
IC859	0IMCRSH001A	IC, PQ05DZ1U SHARP 5, SMD TYPE R/TP REGULATOR	Q476	0TR150400BA	TR, CHIP 2SA1504S(ASY) KEC
IC901	0IMCRMN014A	IC, MSP3440G QA B8 V3 MICRONAS 80 QFP			
IC902	0IKE780800J	IC, KIA7808API 3 ST REGULATOR .			
IC903	0IMCRSH001A	IC, PQ05DZ1U 5, SMD TYPE R/TP REGULATOR			

For Capacitor & Resistors, the characters at 2nd and 3rd digit in the P/No. means as follows;	CC, CX, CK, CN : Ceramic CQ : Polyester CE : Electrolytic	RD : Carbon Film RS : Metal Oxide Film RN : Metal Film RF : Fusible
--	---	--

LOCA. NO	PART NO	DESCRIPTION
Q477	0TR387500AA	TR, CHIP 2SC3875S(ALY) KEC
Q478	0TR104009AF	TR, CHIP KRC104S SOT-23 TP KEC
Q700	0TR387500AA	TR, CHIP 2SC3875S(ALY) KEC
Q720	0TR387500AA	TR, CHIP 2SC3875S(ALY) KEC
Q721	0TR387500AA	TR, CHIP 2SC3875S(ALY) KEC
Q722	0TR387500AA	TR, CHIP 2SC3875S(ALY) KEC
Q723	0TR150400BA	TR, CHIP 2SA1504S(ASY) KEC
Q724	0TR387500AA	TR, CHIP 2SC3875S(ALY) KEC
Q901	0TR387500AA	TR, CHIP 2SC3875S(ALY) KEC
Q902	0TR387500AA	TR, CHIP 2SC3875S(ALY) KEC
Q903	0TR387500AA	TR, CHIP 2SC3875S(ALY) KEC
Q904	0TR387500AA	TR, CHIP 2SC3875S(ALY) KEC
Q905	0TR387500AA	TR, CHIP 2SC3875S(ALY) KEC
Q906	0TR387500AA	TR, CHIP 2SC3875S(ALY) KEC
Q907	0TR387500AA	TR, CHIP 2SC3875S(ALY) KEC
Q908	0TR387500AA	TR, CHIP 2SC3875S(ALY) KEC
Q909	0TR387500AA	TR, CHIP 2SC3875S(ALY) KEC
<b>DIODE</b>		
D001	0DD184009AA	DIODE, KDS184S CHIP 85V 300MA KEC TP
D001	0DL200000CA	LED SAM5670(DL-2LRG) BK Y-GREEN -
D002	0DD184009AA	DIODE, KDS184S CHIP 85V 300MA KEC TP
D003	0DD184009AA	DIODE, KDS184S CHIP 85V 300MA KEC TP
D004	0DD184009AA	DIODE, KDS184S CHIP 85V 300MA KEC TP
D006	0DD226239AA	DIODE, CHIP KDS226 SOT-23
D011	0DD226239AA	DIODE, CHIP KDS226 SOT-23
D100	0DD226239AA	DIODE, CHIP KDS226 SOT-23
D101	0DD226239AA	DIODE, CHIP KDS226 SOT-23
D102	0DD226239AA	DIODE, CHIP KDS226 SOT-23
D105	0DD226239AA	DIODE, CHIP KDS226 SOT-23
D106	0DD226239AA	DIODE, CHIP KDS226 SOT-23
D107	0DD184009AA	DIODE, KDS184S CHIP 85V 300MA KEC TP
D108	0DD226239AA	DIODE, CHIP KDS226 SOT-23
D109	0DD226239AA	DIODE, CHIP KDS226 SOT-23
D110	0DD226239AA	DIODE, CHIP KDS226 SOT-23
D111	0DD226239AA	DIODE, CHIP KDS226 SOT-23
D112	0DD226239AA	DIODE, CHIP KDS226 SOT-23
D113	0DD226239AA	DIODE, CHIP KDS226 SOT-23
D114	0DD226239AA	DIODE, CHIP KDS226 SOT-23
D115	0DD226239AA	DIODE, CHIP KDS226 SOT-23
D117	0DD226239AA	DIODE, CHIP KDS226 SOT-23
D118	0DD226239AA	DIODE, CHIP KDS226 SOT-23
D854	0DD226239AA	DIODE, CHIP KDS226 SOT-23
D855	0DD226239AA	DIODE, CHIP KDS226 SOT-23
D857	0DD226239AA	DIODE, CHIP KDS226 SOT-23
D870	0DD226239AA	DIODE, CHIP KDS226 SOT-23
D872	0DD226239AA	DIODE, CHIP KDS226 SOT-23
D873	0DD226239AA	DIODE, CHIP KDS226 SOT-23
D880	0DL233309AC	LED GREEN/RED GREEN:10MCD, RED:6MCD
D881	0DL233309AC	LED GREEN/RED GREEN:10MCD, RED:6MCD
D882	0DL233309AC	LED GREEN/RED GREEN:10MCD, RED:6MCD
D883	0DL233309AC	LED GREEN/RED GREEN:10MCD, RED:6MCD

LOCA. NO	PART NO	DESCRIPTION
DA105	0DD226239AA	DIODE, CHIP KDS226 SOT-23
LD740	0DL233309AC	LED GREEN/RED GREEN:10MCD, RED:6MCD
LD741	0DL233309AC	LED GREEN/RED GREEN:10MCD, RED:6MCD
LD742	0DL233309AC	LED GREEN/RED GREEN:10MCD, RED:6MCD
LD743	0DL233309AC	LED GREEN/RED GREEN:10MCD, RED:6MCD
ZD001	0DR050008AA	DIODE, SD05.TC R/TP SEMTECH SOD323 5V 5A 15A
ZD002	0DR050008AA	DIODE, SD05.TC R/TP SEMTECH SOD323 5V 5A 15A
ZD830	0DR050008AA	DIODE, SD05.TC R/TP SEMTECH SOD323 5V 5A 15A
ZD831	0DR050008AA	DIODE, SD05.TC R/TP SEMTECH SOD323 5V 5A 15A
ZD832	0DR050008AA	DIODE, SD05.TC R/TP SEMTECH SOD323 5V 5A 15A
<b>CAPACITOR</b>		
C002	0CE476SF6DC	47UF MVG 16V M SMD R/TP
C005	0CE107SF6DC	100UF MVG 16V M SMD R/TP
C006	0CE476SF6DC	47UF MVG 16V M SMD R/TP
C007	0CE106SF6DC	10UF MVG 16V 20% R/TP(SMD) SMD
C008	0CE476SF6DC	47UF MVG 16V M SMD R/TP
C010	0CE227VF6DC	220UF MV 16V 20% R/TP(SMD) SMD
C012	0CE107SF6DC	100UF MVG 16V M SMD R/TP
C013	0CE476SF6DC	47UF MVG 16V M SMD R/TP
C014	0CE476SF6DC	47UF MVG 16V M SMD R/TP
C014	0CE106SF6DC	10UF MVG 16V 20% R/TP(SMD) SMD
C015	0CE476SF6DC	47UF MVG 16V M SMD R/TP
C015	0CE106SF6DC	10UF MVG 16V 20% R/TP(SMD) SMD
C017	0CE107SF6DC	100UF MVG 16V M SMD R/TP
C018	0CE474SK6DC	0.47UF MVG 50V M SMD R/TP
C019	0CE474SK6DC	0.47UF MVG 50V M SMD R/TP
C019	0CE476SF6DC	47UF MVG 16V M SMD R/TP
C020	0CE105SK6DC	1UF MVG 50V M SMD R/TP
C020	0CE335SK6DC	3.3UF MVG 50V 20% SMD R/TP
C021	0CE106SF6DC	10UF MVG 16V 20% R/TP(SMD) SMD
C022	0CE105SK6DC	1UF MVG 50V M SMD R/TP
C022	0CE474SK6DC	0.47UF MVG 50V M SMD R/TP
C023	0CE105SK6DC	1UF MVG 50V M SMD R/TP
C023	0CE474SK6DC	0.47UF MVG 50V M SMD R/TP
C024	0CE105SK6DC	1UF MVG 50V M SMD R/TP
C024	0CE474SK6DC	0.47UF MVG 50V M SMD R/TP
C025	0CE105SK6DC	1UF MVG 50V M SMD R/TP
C025	0CE474SK6DC	0.47UF MVG 50V M SMD R/TP
C026	0CE105SK6DC	1UF MVG 50V M SMD R/TP
C029	0CE107SF6DC	100UF MVG 16V M SMD R/TP
C030	0CE105SK6DC	1UF MVG 50V M SMD R/TP
C030	0CE107SF6DC	100UF MVG 16V M SMD R/TP
C031	0CE105SK6DC	1UF MVG 50V M SMD R/TP
C034	0CE476SF6DC	47UF MVG 16V M SMD R/TP
C035	0CE105SK6DC	1UF MVG 50V M SMD R/TP
C038	0CE476SF6DC	47UF MVG 16V M SMD R/TP
C039	0CE105SK6DC	1UF MVG 50V M SMD R/TP
C040	0CE227VF6DC	220UF MV 16V 20% R/TP(SMD) SMD
C041	0CE477DK618	470UF STD 50V 20% FL TP 5
C042	0CE476SF6DC	47UF MVG 16V M SMD R/TP
C042	0CE477DK618	470UF STD 50V 20% FL TP 5

For Capacitor & Resistors, the characters at 2nd and 3rd digit in the P/No. means as follows;	CC, CX, CK, CN : Ceramic	RD : Carbon Film
	CQ : Polyester	RS : Metal Oxide Film
	CE : Electrolytic	RN : Metal Film
		RF : Fusible

LOCA. NO	PART NO	DESCRIPTION
C043	0CE476SF6DC	47UF MVG 16V M SMD R/TP
C044	0CE107DH618	100UF STD 25V M FL TP5
C045	0CE476SF6DC	47UF MVG 16V M SMD R/TP
C045	0CE106SF6DC	10UF MVG 16V 20% R/TP(SMD) SMD
C046	0CQ1521N509	0.0015U 100V K POLY TP
C047	0CE107DH618	100UF STD 25V M FL TP5
C047	0CE476SF6DC	47UF MVG 16V M SMD R/TP
C048	0CQ1521N509	0.0015U 100V K POLY TP
C050	0CE476SF6DC	47UF MVG 16V M SMD R/TP
C053	0CE106SF6DC	10UF MVG 16V 20% R/TP(SMD) SMD
C056	0CE107DH618	100UF STD 25V M FL TP5
C057	0CQ1041N509	0.1U 100V K POLY TP
C058	0CE106SF6DC	10UF MVG 16V 20% R/TP(SMD) SMD
C059	0CQ1041N509	0.1U 100V K POLY TP
C090	0CE474SK6DC	0.47UF MVG 50V M SMD R/TP
C091	0CE474SK6DC	0.47UF MVG 50V M SMD R/TP
C092	0CE476SF6DC	47UF MVG 16V M SMD R/TP
C109	0CE476SF6DC	47UF MVG 16V M SMD R/TP
C110	0CE476SF6DC	47UF MVG 16V M SMD R/TP
C1102	0CE106SF6DC	10UF MVG 16V 20% R/TP(SMD) SMD
C1106	0CE227VF6DC	220UF MV 16V 20% R/TP(SMD) SMD
C1107	0CE105SK6DC	1UF MVG 50V M SMD R/TP
C1108	0CE105SK6DC	1UF MVG 50V M SMD R/TP
C111	0CE476SF6DC	47UF MVG 16V M SMD R/TP
C112	0CE107SF6DC	100UF MVG 16V M SMD R/TP
C113	0CE107SF6DC	100UF MVG 16V M SMD R/TP
C114	0CE107SF6DC	100UF MVG 16V M SMD R/TP
C117	0CE107SF6DC	100UF MVG 16V M SMD R/TP
C119	0CE477VF6DC	470UF MV 16V 20% R/TP(SMD) SMD
C121	0CE477VF6DC	470UF MV 16V 20% R/TP(SMD) SMD
C123	0CE477VF6DC	470UF MV 16V 20% R/TP(SMD) SMD
C126	0CE476SF6DC	47UF MVG 16V M SMD R/TP
C127	0CE476SF6DC	47UF MVG 16V M SMD R/TP
C211	0CE476SF6DC	47UF MVG 16V M SMD R/TP
C216	0CE476SF6DC	47UF MVG 16V M SMD R/TP
C221	0CE476SF6DC	47UF MVG 16V M SMD R/TP
C273	0CE107SF6DC	100UF MVG 16V M SMD R/TP
C277	0CE476SF6DC	47UF MVG 16V M SMD R/TP
C292	0CE105SK6DC	1UF MVG 50V M SMD R/TP
C294	0CE107SF6DC	100UF MVG 16V M SMD R/TP
C295	0CE107SF6DC	100UF MVG 16V M SMD R/TP
C300	0CE107SF6DC	100UF MVG 16V M SMD R/TP
C310	0CE106SF6DC	10UF MVG 16V 20% R/TP(SMD) SMD
C314	0CE106SF6DC	10UF MVG 16V 20% R/TP(SMD) SMD
C387	0CK224DF56A	220000PF 2012 16V 10% R/TP X7R
C388	0CK224DF56A	220000PF 2012 16V 10% R/TP X7R
C389	0CK224DF56A	220000PF 2012 16V 10% R/TP X7R
C390	0CE476SF6DC	47UF MVG 16V M SMD R/TP
C396	0CE476SF6DC	47UF MVG 16V M SMD R/TP
C401	0CE476SF6DC	47UF MVG 16V M SMD R/TP
C416	0CE106SF6DC	10UF MVG 16V 20% R/TP(SMD) SMD
C417	0CE107SF6DC	100UF MVG 16V M SMD R/TP

LOCA. NO	PART NO	DESCRIPTION
C419	0CK224DF56A	220000PF 2012 16V 10% R/TP X7R
C433	0CK224DF56A	220000PF 2012 16V 10% R/TP X7R
C434	0CE106SF6DC	10UF MVG 16V 20% R/TP(SMD) SMD
C436	0CK224DF56A	220000PF 2012 16V 10% R/TP X7R
C437	0CK224DF56A	220000PF 2012 16V 10% R/TP X7R
C438	0CK224DF56A	220000PF 2012 16V 10% R/TP X7R
C442	0CK224DF56A	220000PF 2012 16V 10% R/TP X7R
C443	0CK224DF56A	220000PF 2012 16V 10% R/TP X7R
C444	0CK224DF56A	220000PF 2012 16V 10% R/TP X7R
C447	0CK224DF56A	220000PF 2012 16V 10% R/TP X7R
C456	0CE106SF6DC	10UF MVG 16V 20% R/TP(SMD) SMD
C479	0CE106SF6DC	10UF MVG 16V 20% R/TP(SMD) SMD
C485	0CE107SF6DC	100UF MVG 16V M SMD R/TP
C488	0CE106SF6DC	10UF MVG 16V 20% R/TP(SMD) SMD
C489	0CK224DF56A	220000PF 2012 16V 10% R/TP X7R
C491	0CE106SF6DC	10UF MVG 16V 20% R/TP(SMD) SMD
C494	0CK224DF56A	220000PF 2012 16V 10% R/TP X7R
C502	0CK224DF56A	220000PF 2012 16V 10% R/TP X7R
C503	0CK224DF56A	220000PF 2012 16V 10% R/TP X7R
C504	0CK224DF56A	220000PF 2012 16V 10% R/TP X7R
C510	0CK224DF56A	220000PF 2012 16V 10% R/TP X7R
C523	0CN105EJ56A	1.0UF 3216 35V 10% R/TP X7R
C524	0CE106SF6DC	10UF MVG 16V 20% R/TP(SMD) SMD
C671	0CE477DK618	470UF STD 50V 20% FL TP 5
C672	0CE477DK618	470UF STD 50V 20% FL TP 5
C673	0CE477DK618	470UF STD 50V 20% FL TP 5
C674	0CE477DK618	470UF STD 50V 20% FL TP 5
C675	181-120K	2200PF 4KV M E FMTW LEAD 4.5
C676	181-120K	2200PF 4KV M E FMTW LEAD 4.5
C724	0CE105SK6DC	1UF MVG 50V M SMD R/TP
C760	0CE477VF6DC	470UF MV 16V 20% R/TP(SMD) SMD
C765	0CE477VF6DC	470UF MV 16V 20% R/TP(SMD) SMD
C766	0CE477VF6DC	470UF MV 16V 20% R/TP(SMD) SMD
C769	0CE107SF6DC	100UF MVG 16V M SMD R/TP
C772	0CE107SF6DC	100UF MVG 16V M SMD R/TP
C785	0CE476SF6DC	47UF MVG 16V M SMD R/TP
C786	0CE107SF6DC	100UF MVG 16V M SMD R/TP
C787	0CE107SF6DC	100UF MVG 16V M SMD R/TP
C788	0CE476SF6DC	47UF MVG 16V M SMD R/TP
C789	0CE476SF6DC	47UF MVG 16V M SMD R/TP
C791	0CE227VF6DC	220UF MV 16V 20% R/TP(SMD) SMD
C793	0CE227VF6DC	220UF MV 16V 20% R/TP(SMD) SMD
C810	0CE476SF6DC	47UF MVG 16V M SMD R/TP
C811	0CE476SF6DC	47UF MVG 16V M SMD R/TP
C817	0CE106SF6DC	10UF MVG 16V 20% R/TP(SMD) SMD
C820	0CE227VF6DC	220UF MV 16V 20% R/TP(SMD) SMD
C824	0CE477VF6DC	470UF MV 16V 20% R/TP(SMD) SMD
C826	0CE107SF6DC	100UF MVG 16V M SMD R/TP
C828	0CE107SF6DC	100UF MVG 16V M SMD R/TP
C833	0CE476SF6DC	47UF MVG 16V M SMD R/TP
C839	0CN105EJ56A	1.0UF 3216 35V 10% R/TP X7R
C881	0CE107SF6DC	100UF MVG 16V M SMD R/TP

For Capacitor & Resistors, the characters at 2nd and 3rd digit in the P/No. means as follows;	CC, CX, CK, CN : Ceramic CQ : Polyester CE : Electrolytic	RD : Carbon Film RS : Metal Oxide Film RN : Metal Film RF : Fusible
--	---	--

LOCA. NO	PART NO	DESCRIPTION
C884	0CE107SF6DC	100UF MVG 16V M SMD R/TP
C887	0CE107SF6DC	100UF MVG 16V M SMD R/TP
C890	0CE476SF6DC	47UF MVG 16V M SMD R/TP
C893	0CE107SF6DC	100UF MVG 16V M SMD R/TP
C912	0CE476SF6DC	47UF MVG 16V M SMD R/TP
C913	0CE107SF6DC	100UF MVG 16V M SMD R/TP
C914	0CE107SF6DC	100UF MVG 16V M SMD R/TP
C915	0CE107SF6DC	100UF MVG 16V M SMD R/TP
C928	0CE107SF6DC	100UF MVG 16V M SMD R/TP
C929	0CE107SF6DC	100UF MVG 16V M SMD R/TP
C930	0CE107SF6DC	100UF MVG 16V M SMD R/TP
C931	0CE107SF6DC	100UF MVG 16V M SMD R/TP
C949	0CE477VF6DC	470UF MV 16V 20% R/TP(SMD) SMD
C951	0CE477VF6DC	470UF MV 16V 20% R/TP(SMD) SMD
C964	0CE476SF6DC	47UF MVG 16V M SMD R/TP
C965	0CE476SF6DC	47UF MVG 16V M SMD R/TP
C966	0CE107SF6DC	100UF MVG 16V M SMD R/TP
C967	0CE107SF6DC	100UF MVG 16V M SMD R/TP
C968	0CE227VF6DC	220UF MV 16V 20% R/TP(SMD) SMD
C969	0CE227VF6DC	220UF MV 16V 20% R/TP(SMD) SMD
C971	0CE477VF6DC	470UF MV 16V 20% R/TP(SMD) SMD
C973	0CE477VF6DC	470UF MV 16V 20% R/TP(SMD) SMD
C980	0CE107SF6DC	100UF MVG 16V M SMD R/TP
C981	0CE107SF6DC	100UF MVG 16V M SMD R/TP
C982	0CE476SF6DC	47UF MVG 16V M SMD R/TP
C984	0CE227VF6DC	220UF MV 16V 20% R/TP(SMD) SMD
C986	0CE227VF6DC	220UF MV 16V 20% R/TP(SMD) SMD
C993	0CE476SF6DC	47UF MVG 16V M SMD R/TP
C994	0CE107SF6DC	100UF MVG 16V M SMD R/TP
C995	0CE476SF6DC	47UF MVG 16V M SMD R/TP
<b>COIL &amp; INDUCTOR</b>		
L200	0LC0233002A	INDUCTOR 3.3UH CERATECH R/TP
L400	0LC0233002A	INDUCTOR 3.3UH CERATECH R/TP
L401	0LC0233002A	INDUCTOR 3.3UH CERATECH R/TP
L402	0LC0233002A	INDUCTOR 3.3UH CERATECH R/TP
L403	0LC0233002A	INDUCTOR 3.3UH CERATECH R/TP
L404	0LC0233002A	INDUCTOR 3.3UH CERATECH R/TP
L405	0LC0233002A	INDUCTOR 3.3UH CERATECH R/TP
L406	0LC0233002A	INDUCTOR 3.3UH CERATECH R/TP
L470	0LC0233002A	INDUCTOR 3.3UH CERATECH R/TP
L471	0LC0233002A	INDUCTOR 3.3UH CERATECH R/TP
L472	0LC0233002A	INDUCTOR 3.3UH CERATECH R/TP
L473	0LC0233002A	INDUCTOR 3.3UH CERATECH R/TP
L474	0LC0233002A	INDUCTOR 3.3UH CERATECH R/TP
L870	6140VB0004B	COIL,CHOKE 26UH 1UEWPHY 22.5TURN YL-9N 0.4
L886	6140VB0004B	COIL,CHOKE 26UH 1UEWPHY 22.5TURN YL-9N 0.4
<b>CONNECTOR</b>		
A6	6866VA9001B	CONNECTOR D-SUB 2990-9C UL 1161 AWG 26
P001A	366-921J	CONNECTOR, WAFER 2.5MM 10P GIL-G
P001B	366-921J	CONNECTOR, WAFER 2.5MM 10P GIL-G

LOCA. NO	PART NO	DESCRIPTION
P002A	366-921K	CONNECTOR, WAFER 2.5MM 11P GIL-G
P002B	366-921K	CONNECTOR, WAFER 2.5MM 11P GIL-G
P005A	366-921L	CONNECTOR, WAFER 2.5MM 12P GIL-G
P005B	366-921L	CONNECTOR, WAFER 2.5MM 12P GIL-G
P036	6630V601236	CONNECTOR, WAFER MDR-36
P100A	6630VL01380	CONNECTOR, WAFER 2-557101-1 AMP 80P 2.54MM
P101	6630VGA001C	CONNECTOR D-SUB 68114-1521 MOLEX 15PIN 2.29MM
P101A	6630VL04008	CONNECTOR, WAFER-AMP 8P 2.5MM 0-0171825-8
P102A	366-932C	CONNECTOR, WAFER 2.5MM 4P GIL-G
P102B	387-B04C	CONNECTOR ASSEMBLY 4P 2.5MM 200MM H-B UL1185AWG26
P104	6630VGA001C	CONNECTOR D-SUB 68114-1521 15PIN 2.29MM ANGLE SN
P105A	366-921J	CONNECTOR, WAFER 2.5MM 10P GIL-G
P106A	366-921L	CONNECTOR, WAFER 2.5MM 12P GIL-G
P107A	366-921K	CONNECTOR, WAFER 2.5MM 11P GIL-G
P108	6602T12002M	CONNECTOR, WAFER 53261-1390 13P 1.25MM R/A SMD
P108A	6602T12002M	CONNECTOR, WAFER 53261-1390 13P 1.25MM R/A SMD
P111A	366-932D	CONNECTOR, WAFER 2.5MM 5P GIL-G
P600	6602T11001A	CONNECTOR, WAFER FI-TWE21P-VF JAE 21P 1.25MM S/T
P741	6630VGA004B	CONNECTOR D-SUB 69107-0921 MOLEX 9P 2.77MM
P800	6602V25009L	CONNECTOR, WAFER 2.5MM 12P 1-171825-2 AMP MN-42PZ10
P801	6602V25009F	CONNECTOR, WAFER 2.5MM 7P 0-171825-7 AMP
P802	366-932B	CONNECTOR, WAFER 2.5MM 3P GIL-G
P803	366-932B	CONNECTOR, WAFER 2.5MM 3P GIL-G LG
<b>JACK</b>		
JP1	6612VLH002A	JACK, SP026B PARK ELEC 4P RD/BK/BK/RD
P101	6612JH003CA	JACK, PPJ137A PARK ELEC. AUDIO L-MONO
P102	380-068D	JACK, UEJ-CV-003 UGCOM E/P WITH S/W
P102	6612J00010A	JACK, PPJ128A-1 PARKELEC A/V 2P
P103	380-363K	JACK, PJ6046G PARKELEC H=8.0
P103	6612BBBH6A	JACK, 440062-1 AMP DVI INTERACED RIGHT ANGLE
P104	6612VMV002A	JACK, UCT-EX-020 UGCOM BNC MONO
P105	6612JH003CA	JACK, PPJ137A PARK ELEC. AUDIO L-MONO
P106	380-068E	JACK, UEJ-CV-018 UGCOM D3.5 E/P
<b>RESISTOR</b>		
A692	0RRZVTA001D	22 OHM 1 / 16 W 1608 5% R/TP 4P E24 SERIES HN-61A40R
AR260	0RRZVTA001D	22 OHM 1 / 16 W 1608 5% R/TP 4P E24 SERIES HN-61A40R
AR261	0RRZVTA001D	22 OHM 1 / 16 W 1608 5% R/TP 4P E24 SERIES HN-61A40R
AR262	0RRZVTA001D	22 OHM 1 / 16 W 1608 5% R/TP 4P E24 SERIES HN-61A40R
AR263	0RRZVTA001D	22 OHM 1 / 16 W 1608 5% R/TP 4P E24 SERIES HN-61A40R
AR264	0RRZVTA001D	22 OHM 1 / 16 W 1608 5% R/TP 4P E24 SERIES HN-61A40R
AR265	0RRZVTA001D	22 OHM 1 / 16 W 1608 5% R/TP 4P E24 SERIES HN-61A40R
AR266	0RRZVTA001D	22 OHM 1 / 16 W 1608 5% R/TP 4P E24 SERIES HN-61A40R
AR267	0RRZVTA001D	22 OHM 1 / 16 W 1608 5% R/TP 4P E24 SERIES HN-61A40R
AR268	0RRZVTA001D	22 OHM 1 / 16 W 1608 5% R/TP 4P E24 SERIES HN-61A40R
AR269	0RRZVTA001D	22 OHM 1 / 16 W 1608 5% R/TP 4P E24 SERIES HN-61A40R
AR270	0RRZVTA001D	22 OHM 1 / 16 W 1608 5% R/TP 4P E24 SERIES HN-61A40R
AR271	0RRZVTA001D	22 OHM 1 / 16 W 1608 5% R/TP 4P E24 SERIES HN-61A40R
AR330	0RRZVTA001D	22 OHM 1 / 16 W 1608 5% R/TP 4P E24 SERIES HN-61A40R
AR332	0RRZVTA001D	22 OHM 1 / 16 W 1608 5% R/TP 4P E24 SERIES HN-61A40R
AR333	0RRZVTA001D	22 OHM 1 / 16 W 1608 5% R/TP 4P E24 SERIES HN-61A40R

For Capacitor & Resistors, the characters at 2nd and 3rd digit in the P/No. means as follows;	CC, CX, CK, CN : Ceramic CQ : Polyester CE : Electrolytic	RD : Carbon Film RS : Metal Oxide Film RN : Metal Film RF : Fusible
--	---	--

LOCA. NO	PART NO	DESCRIPTION
AR334	0RRZVTA001D	22 OHM 1 / 16 W 1608 5% R/TP 4P E24 SERIES HN-61A40R
AR335	0RRZVTA001D	22 OHM 1 / 16 W 1608 5% R/TP 4P E24 SERIES HN-61A40R
AR336	0RRZVTA001D	22 OHM 1 / 16 W 1608 5% R/TP 4P E24 SERIES HN-61A40R
AR337	0RRZVTA001D	22 OHM 1 / 16 W 1608 5% R/TP 4P E24 SERIES HN-61A40R
AR338	0RRZVTA001D	22 OHM 1 / 16 W 1608 5% R/TP 4P E24 SERIES HN-61A40R
AR339	0RRZVTA001D	22 OHM 1 / 16 W 1608 5% R/TP 4P E24 SERIES HN-61A40R
AR340	0RRZVTA001D	22 OHM 1 / 16 W 1608 5% R/TP 4P E24 SERIES HN-61A40R
AR341	0RRZVTA001D	22 OHM 1 / 16 W 1608 5% R/TP 4P E24 SERIES HN-61A40R
AR342	0RRZVTA001D	22 OHM 1 / 16 W 1608 5% R/TP 4P E24 SERIES HN-61A40R
AR400	0RRZVTA001D	22 OHM 1 / 16 W 1608 5% R/TP 4P E24 SERIES HN-61A40R
AR401	0RRZVTA001D	22 OHM 1 / 16 W 1608 5% R/TP 4P E24 SERIES HN-61A40R
AR402	0RRZVTA001D	22 OHM 1 / 16 W 1608 5% R/TP 4P E24 SERIES HN-61A40R
AR403	0RRZVTA001D	22 OHM 1 / 16 W 1608 5% R/TP 4P E24 SERIES HN-61A40R
AR404	0RRZVTA001D	22 OHM 1 / 16 W 1608 5% R/TP 4P E24 SERIES HN-61A40R
AR405	0RRZVTA001D	22 OHM 1 / 16 W 1608 5% R/TP 4P E24 SERIES HN-61A40R
AR406	0RRZVTA001D	22 OHM 1 / 16 W 1608 5% R/TP 4P E24 SERIES HN-61A40R
AR407	0RRZVTA001D	22 OHM 1 / 16 W 1608 5% R/TP 4P E24 SERIES HN-61A40R
AR460	0RRZVTA001D	22 OHM 1 / 16 W 1608 5% R/TP 4P E24 SERIES HN-61A40R
AR461	0RRZVTA001D	22 OHM 1 / 16 W 1608 5% R/TP 4P E24 SERIES HN-61A40R
AR462	0RRZVTA001D	22 OHM 1 / 16 W 1608 5% R/TP 4P E24 SERIES HN-61A40R
AR463	0RRZVTA001D	22 OHM 1 / 16 W 1608 5% R/TP 4P E24 SERIES HN-61A40R
AR465	0RRZVTA001D	22 OHM 1 / 16 W 1608 5% R/TP 4P E24 SERIES HN-61A40R
AR466	0RRZVTA001D	22 OHM 1 / 16 W 1608 5% R/TP 4P E24 SERIES HN-61A40R
AR467	0RRZVTA001D	22 OHM 1 / 16 W 1608 5% R/TP 4P E24 SERIES HN-61A40R
AR468	0RRZVTA001D	22 OHM 1 / 16 W 1608 5% R/TP 4P E24 SERIES HN-61A40R
AR469	0RRZVTA001D	22 OHM 1 / 16 W 1608 5% R/TP 4P E24 SERIES HN-61A40R
AR470	0RRZVTA001D	22 OHM 1 / 16 W 1608 5% R/TP 4P E24 SERIES HN-61A40R
AR471	0RRZVTA001D	22 OHM 1 / 16 W 1608 5% R/TP 4P E24 SERIES HN-61A40R
AR472	0RRZVTA001D	22 OHM 1 / 16 W 1608 5% R/TP 4P E24 SERIES HN-61A40R
AR473	0RRZVTA001D	22 OHM 1 / 16 W 1608 5% R/TP 4P E24 SERIES HN-61A40R
AR474	0RRZVTA001D	22 OHM 1 / 16 W 1608 5% R/TP 4P E24 SERIES HN-61A40R
AR475	0RRZVTA001D	22 OHM 1 / 16 W 1608 5% R/TP 4P E24 SERIES HN-61A40R
AR512	0RRZVTA001D	22 OHM 1 / 16 W 1608 5% R/TP 4P E24 SERIES HN-61A40R
AR513	0RRZVTA001D	22 OHM 1 / 16 W 1608 5% R/TP 4P E24 SERIES HN-61A40R
AR514	0RRZVTA001D	22 OHM 1 / 16 W 1608 5% R/TP 4P E24 SERIES HN-61A40R
AR515	0RRZVTA001D	22 OHM 1 / 16 W 1608 5% R/TP 4P E24 SERIES HN-61A40R
AR550	0RRZVTA001C	4.7K OHM 1 / 16 W 1608 5% R/TP 4P E24 SERIES HN-61A40R
AR551	0RRZVTA001C	4.7K OHM 1 / 16 W 1608 5% R/TP 4P E24 SERIES HN-61A40R
AR552	0RRZVTA001C	4.7K OHM 1 / 16 W 1608 5% R/TP 4P E24 SERIES HN-61A40R
AR553	0RRZVTA001C	4.7K OHM 1 / 16 W 1608 5% R/TP 4P E24 SERIES HN-61A40R
AR589	0RRZVTA001D	22 OHM 1 / 16 W 1608 5% R/TP 4P E24 SERIES HN-61A40R
AR590	0RRZVTA001D	22 OHM 1 / 16 W 1608 5% R/TP 4P E24 SERIES HN-61A40R
AR691	0RRZVTA001D	22 OHM 1 / 16 W 1608 5% R/TP 4P E24 SERIES HN-61A40R
AR693	0RRZVTA001D	22 OHM 1 / 16 W 1608 5% R/TP 4P E24 SERIES HN-61A40R
AR694	0RRZVTA001D	22 OHM 1 / 16 W 1608 5% R/TP 4P E24 SERIES HN-61A40R
AR695	0RRZVTA001D	22 OHM 1 / 16 W 1608 5% R/TP 4P E24 SERIES HN-61A40R
AR696	0RRZVTA001D	22 OHM 1 / 16 W 1608 5% R/TP 4P E24 SERIES HN-61A40R
IC330	0RRZVTA001D	22 OHM 1 / 16 W 1608 5% R/TP 4P E24 SERIES HN-61A40R
IC332	0RRZVTA001D	22 OHM 1 / 16 W 1608 5% R/TP 4P E24 SERIES HN-61A40R
IC333	0RRZVTA001D	22 OHM 1 / 16 W 1608 5% R/TP 4P E24 SERIES HN-61A40R
IC334	0RRZVTA001D	22 OHM 1 / 16 W 1608 5% R/TP 4P E24 SERIES HN-61A40R
IC335	0RRZVTA001D	22 OHM 1 / 16 W 1608 5% R/TP 4P E24 SERIES HN-61A40R

LOCA. NO	PART NO	DESCRIPTION
IC336	0RRZVTA001D	22 OHM 1 / 16 W 1608 5% R/TP 4P E24 SERIES HN-61A40R
IC337	0RRZVTA001D	22 OHM 1 / 16 W 1608 5% R/TP 4P E24 SERIES HN-61A40R
IC338	0RRZVTA001D	22 OHM 1 / 16 W 1608 5% R/TP 4P E24 SERIES HN-61A40R
IC339	0RRZVTA001D	22 OHM 1 / 16 W 1608 5% R/TP 4P E24 SERIES HN-61A40R
IC340	0RRZVTA001D	22 OHM 1 / 16 W 1608 5% R/TP 4P E24 SERIES HN-61A40R
IC341	0RRZVTA001D	22 OHM 1 / 16 W 1608 5% R/TP 4P E24 SERIES HN-61A40R
IC342	0RRZVTA001D	22 OHM 1 / 16 W 1608 5% R/TP 4P E24 SERIES HN-61A40R
R020	0RS2701K607	2.7K OHM 2 W 5.00% TA62
R021	0RS2701K607	2.7K OHM 2 W 5.00% TA62
R030	0RS0221H609	2.2 OHM 1/2 W 5.00% TA52
R032	0RS0221H609	2.2 OHM 1/2 W 5.00% TA52
R1111	0RD0152H609	15 OHM 1/2 W 5.00% TA52
R589	0RRZVTA001D	22 OHM 1 / 16 W 1608 5% R/TP 4P E24 SERIES HN-61A40R
R590	0RRZVTA001D	22 OHM 1 / 16 W 1608 5% R/TP 4P E24 SERIES HN-61A40R
R655	0RD4700H609	470 OHM 1/2 W 5.00% TA52
R656	0RD4700H609	470 OHM 1/2 W 5.00% TA52
FILTER & CRYSTAL		
F601	6200VJS001A	FILTER, ZJY51R5-4P TDK DIP DC 50VOLT 2A
F602	6200VJS001A	FILTER, ZJY51R5-4P TDK DIP DC 50VOLT 2A
L001	6200JB8010L	FILTER, MLB-201209-1000L-N2 R/TP 1000OHM 350MA
L001	6210VC0006A	FILTER, FBMH3216 HM501NT 3.2X1.6X1.6MM R/TP
L002	6200JB8010L	FILTER, MLB-201209-1000L-N2R/TP 1000OHM 350MA
L002	6210VC0006A	FILTER, FBMH3216 HM501NT 3.2X1.6X1.6MM R/TP
L003	6200JB8010L	FILTER, MLB-201209-1000L-N2 R/TP 1000OHM 350MA
L003	6210VC0006A	FILTER, FBMH3216 HM501NT 3.2X1.6X1.6MM R/TP
L004	6200JB8010L	FILTER, MAG LAYERS R/TP 1000OHM 350MA
L004	6210VC0006A	FILTER, FBMH3216 HM501NT 3.2X1.6X1.6MM R/TP
L005	6200JB8010L	FILTER, MLB-201209-1000L-N2 R/TP 1000OHM 350MA
L006	6200JB8010L	FILTER, MLB-201209-1000L-N2 R/TP 1000OHM 350MA
L007	6210VC0006A	FILTER, FBMH3216 HM501NT 3.2X1.6X1.6MM R/TP
L008	6210VC0006A	FILTER, FBMH3216 HM501NT 3.2X1.6X1.6MM R/TP
L009	6210VC0006A	FILTER, FBMH3216 HM501NT 3.2X1.6X1.6MM R/TP
L010	6210VC0006A	FILTER, FBMH3216 HM501NT 3.2X1.6X1.6MM R/TP
L270	6210VC0006A	FILTER, FBMH3216 HM501NT 3.2X1.6X1.6MM R/TP
L271	6210VC0006A	FILTER, FBMH3216 HM501NT 3.2X1.6X1.6MM R/TP
L272	6210VC0006A	FILTER, FBMH3216 HM501NT 3.2X1.6X1.6MM R/TP
L273	6210VC0006A	FILTER, FBMH3216 HM501NT 3.2X1.6X1.6MM R/TP
L274	6210VC0005A	FILTER, BK2125 HS 750 2X1.25X0.85MM R/TP
L275	6210VC0005A	FILTER, BK2125 HS 750 2X1.25X0.85MM R/TP
L276	6210VC0005A	FILTER, BK2125 HS 750 2X1.25X0.85MM R/TP
L872	6210VC0006A	FILTER, FBMH3216 HM501NT 3.2X1.6X1.6MM R/TP
L873	6210VC0006A	FILTER, FBMH3216 HM501NT 3.2X1.6X1.6MM R/TP
L874	6210VC0006A	FILTER, FBMH3216 HM501NT 3.2X1.6X1.6MM R/TP
L875	6210VC0006A	FILTER, FBMH3216 HM501NT 3.2X1.6X1.6MM R/TP
L876	6210VC0006A	FILTER, FBMH3216 HM501NT 3.2X1.6X1.6MM R/TP
L877	6210VC0006A	FILTER, FBMH3216 HM501NT 3.2X1.6X1.6MM R/TP
L878	6210VC0006A	FILTER, FBMH3216 HM501NT 3.2X1.6X1.6MM R/TP
L879	6210VC0006A	FILTER, FBMH3216 HM501NT 3.2X1.6X1.6MM R/TP
L881	6210VC0006A	FILTER, FBMH3216 HM501NT 3.2X1.6X1.6MM R/TP
L882	6210VC0006A	FILTER, FBMH3216 HM501NT 3.2X1.6X1.6MM R/TP
L883	6210VC0006A	FILTER, FBMH3216 HM501NT 3.2X1.6X1.6MM R/TP

LOCA. NO	PART NO	DESCRIPTION
L884	6210VC0006A	FILTER, FBMH3216 HM501NT 3.2X1.6X1.6MM R/TP
L887	6210VC0006A	FILTER, FBMH3216 HM501NT 3.2X1.6X1.6MM R/TP
L888	6210VC0006A	FILTER, FBMH3216 HM501NT 3.2X1.6X1.6MM R/TP
L889	6210VC0006A	FILTER, FBMH3216 HM501NT 3.2X1.6X1.6MM R/TP
L890	6210VC0006A	FILTER, FBMH3216 HM501NT 3.2X1.6X1.6MM R/TP
L891	6210VC0006A	FILTER, FBMH3216 HM501NT 3.2X1.6X1.6MM R/TP
L892	6210VC0006A	FILTER, FBMH3216 HM501NT 3.2X1.6X1.6MM R/TP
L900	6210VC0006A	FILTER, FBMH3216 HM501NT 3.2X1.6X1.6MM R/TP
L901	6210VC0006A	FILTER, FBMH3216 HM501NT 3.2X1.6X1.6MM R/TP
L902	6210VC0006A	FILTER, FBMH3216 HM501NT 3.2X1.6X1.6MM R/TP
L903	6210VC0006A	FILTER, FBMH3216 HM501NT 3.2X1.6X1.6MM R/TP
L904	6210VC0006A	FILTER, FBMH3216 HM501NT 3.2X1.6X1.6MM R/TP
L905	6210VC0006A	FILTER, FBMH3216 HM501NT 3.2X1.6X1.6MM R/TP
L906	6210VC0006A	FILTER, FBMH3216 HM501NT 3.2X1.6X1.6MM R/TP
L907	6210VC0006A	FILTER, FBMH3216 HM501NT 3.2X1.6X1.6MM R/TP
L908	6210VC0006A	FILTER, FBMH3216 HM501NT 3.2X1.6X1.6MM R/TP
L909	6210VC0006A	FILTER, FBMH3216 HM501NT 3.2X1.6X1.6MM R/TP
L910	6210VC0006A	FILTER, FBMH3216 HM501NT 3.2X1.6X1.6MM R/TP
L911	6210VC0006A	FILTER, FBMH3216 HM501NT 3.2X1.6X1.6MM R/TP
L912	6210VC0006A	FILTER, FBMH3216 HM501NT 3.2X1.6X1.6MM R/TP
L913	6210VC0006A	FILTER, FBMH3216 HM501NT 3.2X1.6X1.6MM R/TP
L914	6210VC0006A	FILTER, FBMH3216 HM501NT 3.2X1.6X1.6MM R/TP
L915	6210VC0006A	FILTER, FBMH3216 HM501NT 3.2X1.6X1.6MM R/TP
L916	6210VC0006A	FILTER, FBMH3216 HM501NT 3.2X1.6X1.6MM R/TP
L917	6210VC0006A	FILTER, FBMH3216 HM501NT 3.2X1.6X1.6MM R/TP
L918	6210VC0006A	FILTER, FBMH3216 HM501NT 3.2X1.6X1.6MM R/TP
L919	6210VC0006A	FILTER, FBMH3216 HM501NT 3.2X1.6X1.6MM R/TP
L920	6210VC0006A	FILTER, FBMH3216 HM501NT 3.2X1.6X1.6MM R/TP
L921	6210VC0006A	FILTER, FBMH3216 HM501NT 3.2X1.6X1.6MM R/TP
L922	6210VC0006A	FILTER, FBMH3216 HM501NT 3.2X1.6X1.6MM R/TP
L923	6210VC0006A	FILTER, FBMH3216 HM501NT 3.2X1.6X1.6MM R/TP
LA101	150-F09A	FILTER, SQE2222 7-14MH 0.37PHY 48TURN TDA2616
X401	6202VDT002E	RESONATOR, 20250000HZ 30PPM 16PF TP
X402	6202VDT002J	RESONATOR,13.500000MHZ +/- 50 PPM 14PF
X470	6202VDT002E	RESONATOR,RADIAL 20250000HZ 30PPM 16PF
X501	6202VDT002J	RESONATOR,13.500000MHZ +/- 50 PPM 14PF
X601	156-A02M	RESONATOR,18.432MHZ 30PPM 10PF BK
X720	6212AB2015C	RESONATOR,25MHZ +/- 50 PPM 20PF T/R
<b>SWITCH</b>		
SW001	140-315A	SWITCH, TACT SKHV17910B LG C&D NON 12V
SW002	140-315A	SWITCH, TACT SKHV17910B LG C&D NON 12V
SW003	140-315A	SWITCH, TACT SKHV17910B LG C&D NON 12V
SW004	140-315A	SWITCH, TACT SKHV17910B LG C&D NON 12V
SW005	140-315A	SWITCH, TACT SKHV17910B LG C&D NON 12V
SW006	140-315A	SWITCH, TACT SKHV17910B LG C&D NON 12V
SW102	140-275A	SWITCH, PUSH 30V 0.3A HORIZONTAL 500G
SW800	6600VM2006A	SWITCH, 250V 4A HORIZONTAL .G
<b>ACCESSORIES</b>		
A1	3828VA0388A	MANUAL,OWNERS RF03FA 42PZ44/46/45V/47V LG EN
A1	3828VA0388F	MANUAL,OWNERS LGFEFS/ES/PT RF03FA

LOCA. NO	PART NO	DESCRIPTION
A1	3828VA0388A	MANUAL,OWNERS RF03FA EN 100A TX 026H
A1	3828VA0388B	MANUAL,OWNERS RF03FA LG CH 100A TX S LOCAL
A1	3828VA0388C	MANUAL,OWNERS RF03FA AR/EN 100A TX 026H
A1	3828VA0388D	MANUAL,OWNERS RF03FA RU/EN 100A TX 026H 7YRS
A1	3828VA0388E	MANUAL,OWNERS RF03FA LG BN/LGEUK
A1	3828VA0388F	MANUAL,OWNERS RF03FA EN/SP/PO/IT/NE
A1	3828VA0438A	MANUAL,OWNERS RF03FA LG EN 100A TX 026H
A2	6710V00100A	REMOTE CONTROLLER RF02LA STEREO
A3	6410VBH003C	POWER CORD,MP5004(13A)+V1625 VOLEX BS LGEUK
A3	6410VCH001C	POWER CORD,V3203CA+V1625 VOLEXCLEE 280MM
A3	6410VEH003C	POWER CORD , 2800MM HOUSING LGFEFS/HS/ES
A4	6850J00002A	CABLE,DVI DVI-D TO DVI-D UL20276 3000MM
<b>MISCELLANEOUS</b>		
P001	6726VH0001A	REMOTE CONTROLLER RECEIVER, 38KHZ .
X830	6204B47985D	OSCILLATOR,12MHZ +/-100PPM 3.3V T/R 15PF,



## REPLACEMENT PARTS LIST (TUNER)

LOCA. NO	PART NO	DESCRIPTION
<b>IC</b>		
IC001	0ISM555000A	SDA5550 MQFP100 BK
IC002	0IZZVA0079B	M27W201 DIP 32P ST
IC003	0ISS610082A	K6X1008T2D-TF70 REVISION 32-TSOP
IC004	0IAL241610B	AT24C16A-10PI-2.7 8PIN DIP
IC005	0IKE702700D	KIA7027AF 3, SOT-89 TP RESET IC 2.7V
IC006	0ISJ111725A	EZ1117ACST-2.5 3P SOT ST
IC008	0ISJ111733A	EZ1117CST-3.3 3P,SOT-223 TP 3.3V
IC101	0IMCRFA015A	KA7805R FAIRCHILD 2P D-PAK
IC201	0IPH860100B	TDA8601T 16P-SOP BK
IC401	0ISO208900A	CXA2089Q 48QFP BK A/V SWITCH
IC402	0IMCRFA010A	KA7809R, FAIRCHILD 2P D-PAK
IC501	0IMI623200B	M62320FP,I/O EXPANDER 16P SOP
IC601	0IMCRMN011D	MSP3410G QA B8 V3 MICRONAS 80P
IC602	0IKE704200J	KIA7042AF SOT-89 TP 4.2V
IC603	0IMCRFA009A	KA78M08RTM, FAIRCHILD 2P D-PAK
IC604	0IMCRFA015A	KA7805R FAIRCHILD 2P D-PAK
IC702	0IMCRFA009A	KA78M08RTM, FAIRCHILD 2P D-PAK
IC702	0IMCRFA015A	KA7805R FAIRCHILD 2P D-PAK
IC704	0IMCRFA015A	KA7805R FAIRCHILD 2P D-PAK
IC706	0IMCRTI003A	SN74HCT08D TEXAS INSTRUMENT 16P
IC801	0IMCRSG003A	L4973D5.1 SGS-THOMSON 20P SOP
IC802	0IMCRSG003A	L4973D5.1 SGS-THOMSON 20P SOP
<b>TRANSISTOR</b>		
IC803	0TR830009BA	BSS83 TP N-CHANNEL S/W TR
Q003	0TR830009BA	BSS83 TP N-CHANNEL S/W TR
Q004	0TR830009BA	BSS83 TP N-CHANNEL S/W TR
Q005	0TR830009BA	BSS83 TP N-CHANNEL S/W TR
Q006	0TR830009BA	BSS83 TP N-CHANNEL S/W TR
Q007	0TR830009BA	BSS83 TP N-CHANNEL S/W TR
Q008	0TR830009BA	BSS83 TP N-CHANNEL S/W TR
Q101	0TR387500AA	CHIP 2SC3875S(ALY) KEC
Q102	0TR387500AA	CHIP 2SC3875S(ALY) KEC
Q103	0TR387500AA	CHIP 2SC3875S(ALY) KEC
Q104	0TR150400BA	CHIP 2SA1504S(ASY) KEC
Q111	0TR387500AA	CHIP 2SC3875S(ALY) KEC
Q112	0TR387500AA	CHIP 2SC3875S(ALY) KEC
Q230	0TR387500AA	CHIP 2SC3875S(ALY) KEC
Q231	0TR387500AA	CHIP 2SC3875S(ALY) KEC
Q232	0TR150400BA	CHIP 2SA1504S(ASY) KEC
Q233	0TR387500AA	CHIP 2SC3875S(ALY) KEC
Q401	0TR387500AA	CHIP 2SC3875S(ALY) KEC
Q402	0TR387500AA	CHIP 2SC3875S(ALY) KEC
Q403	0TR387500AA	CHIP 2SC3875S(ALY) KEC
Q404	0TR387500AA	CHIP 2SC3875S(ALY) KEC
Q405	0TR387500AA	CHIP 2SC3875S(ALY) KEC
Q406	0TR387500AA	CHIP 2SC3875S(ALY) KEC
Q406	0TR387500AA	CHIP 2SC3875S(ALY) KEC
Q407	0TR150400BA	CHIP 2SA1504S(ASY) KEC
Q408	0TR387500AA	CHIP 2SC3875S(ALY) KEC
Q409	0TR150400BA	CHIP 2SA1504S(ASY) KEC

LOCA. NO	PART NO	DESCRIPTION
Q410	0TR150400BA	CHIP 2SA1504S(ASY) KEC
Q411	0TR150400BA	CHIP 2SA1504S(ASY) KEC
Q601	0TR387500AA	CHIP 2SC3875S(ALY) KEC
Q602	0TR387500AA	CHIP 2SC3875S(ALY) KEC
Q603	0TR387500AA	CHIP 2SC3875S(ALY) KEC
Q604	0TR387500AA	CHIP 2SC3875S(ALY) KEC
Q605	0TR387500AA	CHIP 2SC3875S(ALY) KEC
<b>DIODE</b>		
D001	0DD226239AA	CHIP KDS226 SOT-23
D002	0DD226239AA	CHIP KDS226 SOT-23
D003	0DD226239AA	CHIP KDS226 SOT-23
D004	0DD226239AA	CHIP KDS226 SOT-23
D005	0DD226239AA	CHIP KDS226 SOT-23
D006	0DD226239AA	CHIP KDS226 SOT-23
D010	0DD226239AA	CHIP KDS226 SOT-23
D011	0DD226239AA	CHIP KDS226 SOT-23
D012	0DD226239AA	CHIP KDS226 SOT-23
D013	0DD226239AA	CHIP KDS226 SOT-23
D101	0DD226239AA	CHIP KDS226 SOT-23
D102	0DD226239AA	CHIP KDS226 SOT-23
D103	0DD226239AA	CHIP KDS226 SOT-23
D401	0DD226239AA	CHIP KDS226 SOT-23
D402	0DD226239AA	CHIP KDS226 SOT-23
D403	0DD226239AA	CHIP KDS226 SOT-23
D404	0DD226239AA	CHIP KDS226 SOT-23
D406	0DD226239AA	CHIP KDS226 SOT-23
D407	0DD226239AA	CHIP KDS226 SOT-23
D408	0DD226239AA	CHIP KDS226 SOT-23
D409	0DD226239AA	CHIP KDS226 SOT-23
D410	0DD226239AA	CHIP KDS226 SOT-23
D411	0DD226239AA	CHIP KDS226 SOT-23
D412	0DD226239AA	CHIP KDS226 SOT-23
D413	0DD226239AA	CHIP KDS226 SOT-23
D414	0DD226239AA	CHIP KDS226 SOT-23
D415	0DD226239AA	CHIP KDS226 SOT-23
D450	0DD226239AA	CHIP KDS226 SOT-23
D451	0DD226239AA	CHIP KDS226 SOT-23
D501	0DD226239AA	CHIP KDS226 SOT-23
D502	0DD226239AA	CHIP KDS226 SOT-23
D513	0DD226239AA	CHIP KDS226 SOT-23
D514	0DD226239AA	CHIP KDS226 SOT-23
D601	0DD226239AA	CHIP KDS226 SOT-23
D602	0DD226239AA	CHIP KDS226 SOT-23
D706	0DD226239AA	CHIP KDS226 SOT-23
D707	0DD226239AA	CHIP KDS226 SOT-23
D708	0DD184009AA	KDS184S CHIP 85V 300MA KEC TP
D709	0DD184009AA	KDS184S CHIP 85V 300MA KEC TP
D801	0DR190309AA	MBRS190T3 TP 90V 1A 50A 10NSEC 1MA
D803	0DR190309AA	MBRS190T3 TP 90V 1A 50A 10NSEC 1MA
D804	0DD226239AA	CHIP KDS226 SOT-23
ZD101	0DZ330009DF	MTZJ33B TP DO34 0.5W 33V 5UA

For Capacitor & Resistors, the characters at 2nd and 3rd digit in the P/No. means as follows;	CC, CX, CK, CN : Ceramic CQ : Polyester CE : Electrolytic	RD : Carbon Film RS : Metal Oxide Film RN : Metal Film RF : Fusible
--	---	--

LOCA. NO	PART NO	DESCRIPTION
<b>CAPACITOR</b>		
C001	OCE476DF618	47UF STD 16V M FL TP5
C002	OCE476DF618	47UF STD 16V M FL TP5
C006	OCE476DF618	47UF STD 16V M FL TP5
C007	OCE476DF618	47UF STD 16V M FL TP5
C009	OCE105BK618	1UF KME 50V M FL TP5
C014	OCE476DF618	47UF STD 16V M FL TP5
C021	OCE107DF618	100UF STD 16V M FL TP5
C025	OCE476DF618	47UF STD 16V M FL TP5
C027	OCE476DF618	47UF STD 16V M FL TP5
C030	OCE476DF618	47UF STD 16V M FL TP5
C033	OCE107DF618	100UF STD 16V M FL TP5
C101	OCE4756F618	4.7UF SMS,SG 16V 20% FL TP 5
C103	OCE227DF618	220UF STD 16V M FL TP5
C105	OCE107DF618	100UF STD 16V M FL TP5
C106	OCE106DK618	10UF STD 50V M FL TP5
C107	OCE107DF618	100UF STD 16V M FL TP5
C109	OCE476DF618	47UF STD 16V M FL TP5
C312	OCN105EJ56A	1.0UF 3216 35V 10% R/TP X7R
C313	OCE476DF618	47UF STD 16V M FL TP5
C401	OCE477DF618	470UF STD 16V 20% FL TP 5
C402	OCE106DK618	10UF STD 50V M FL TP5
C408	OCE477DF618	470UF STD 16V 20% FL TP 5
C412	OCE475DK618	4.7UF STD 50V 20% FL TP 5
C415	OCE475DK618	4.7UF STD 50V 20% FL TP 5
C416	OCE106DF618	10UF STD 16V M FL TP5
C417	OCE106DF618	10UF STD 16V M FL TP5
C418	OCE477DF618	470UF STD 16V 20% FL TP 5
C427	OCE106DF618	10UF STD 16V M FL TP5
C428	OCE106DF618	10UF STD 16V M FL TP5
C446	OCE106DF618	10UF STD 16V M FL TP5
C450	OCE227DF618	220UF STD 16V M FL TP5
C452	OCE227DF618	220UF STD 16V M FL TP5
C453	OCE475DK618	4.7UF STD 50V 20% FL TP 5
C456	OCE227DF618	220UF STD 16V M FL TP5
C501	OCE107DF618	100UF STD 16V M FL TP5
C532	OCE227DF618	220UF STD 16V M FL TP5
C533	OCE107DF618	100UF STD 16V M FL TP5
C602	OCE107DF618	100UF STD 16V M FL TP5
C603	OCE107DF618	100UF STD 16V M FL TP5
C605	OCE106DF618	10UF STD 16V M FL TP5
C611	OCE107DF618	100UF STD 16V M FL TP5
C612	OCE107DF618	100UF STD 16V M FL TP5
C619	OCE107DF618	100UF STD 16V M FL TP5
C621	OCE107DF618	100UF STD 16V M FL TP5
C623	OCE106DF618	10UF STD 16V M FL TP5
C630	OCE106DF618	10UF STD 16V M FL TP5
C634	OCE107DF618	100UF STD 16V M FL TP5
C639	OCE107DF618	100UF STD 16V M FL TP5
C710	OCE107DF618	100UF STD 16V M FL TP5
C712	OCE107DF618	100UF STD 16V M FL TP5

LOCA. NO	PART NO	DESCRIPTION
C714	OCE106DK618	10UF STD 50V M FL TP5
C758	OCE107DF618	100UF STD 16V M FL TP5
C759	OCE107DF618	100UF STD 16V M FL TP5
C801	OCE107DF618	100UF STD 16V M FL TP5
C804	OCE477DF618	470UF STD 16V 20% FL TP 5
C805	0CK224DF56A	220000PF 2012 16V 10% R/TP X7R
C805	0CK224DF56A	220000PF 2012 16V 10% R/TP X7R
C806	OCE477DF618	470UF STD 16V 20% FL TP 5
C808	OCE107DF618	100UF STD 16V M FL TP5
C813	OCE106DF618	10UF STD 16V M FL TP5
C816	OCE477DF618	470UF STD 16V 20% FL TP 5
C817	OCE107DF618	100UF STD 16V M FL TP5
C821	OCE477DF618	470UF STD 16V 20% FL TP 5
C824	OCE477DF618	470UF STD 16V 20% FL TP 5
C828	OCE477DF618	470UF STD 16V 20% FL TP 5
C831	OCE106DF618	10UF STD 16V M FL TP5
C834	0CK224DF56A	220000PF 2012 16V 10% R/TP X7R
C835	OCE107DF618	100UF STD 16V M FL TP5
<b>COIL &amp; INDUCTOR</b>		
L801	6140VR0001C	COIL,SB1260-470 GET 47UH
L802	6140VR0001C	COIL,SB1260-470 GET 47UH
L803	6140VR0001C	COIL,SB1260-470 GET 47UH
T801	6170VMCA57A	TRANSFORMER,EPC1716 650UH +-15%
<b>FILTER &amp; CRYSTAL</b>		
L001	6210VC0006A	FBMH3216 HM501NT 3.2X1.6X1.6MM
L010	6210VC0006A	FBMH3216 HM501NT 3.2X1.6X1.6MM
L101	6210VC0006A	FBMH3216 HM501NT 3.2X1.6X1.6MM
L102	6210VC0006A	FBMH3216 HM501NT 3.2X1.6X1.6MM
L201	6210VC0006A	FBMH3216 HM501NT 3.2X1.6X1.6MM
L205	6210VC0006A	FBMH3216 HM501NT 3.2X1.6X1.6MM
L405	6210VC0006A	FBMH3216 HM501NT 3.2X1.6X1.6MM
L501	6210VC0006A	FBMH3216 HM501NT 3.2X1.6X1.6MM
L503	6210VC0006A	FBMH3216 HM501NT 3.2X1.6X1.6MM
L505	6210VC0006A	FBMH3216 HM501NT 3.2X1.6X1.6MM
L601	6210VC0006A	FBMH3216 HM501NT 3.2X1.6X1.6MM
L602	6210VC0006A	FBMH3216 HM501NT 3.2X1.6X1.6MM
L603	6210VC0006A	FBMH3216 HM501NT 3.2X1.6X1.6MM
L604	6210VC0006A	FBMH3216 HM501NT 3.2X1.6X1.6MM
L701	6210VC0006A	FBMH3216 HM501NT 3.2X1.6X1.6MM
L706	6210VC0006A	FBMH3216 HM501NT 3.2X1.6X1.6MM
L708	6210VC0006A	FBMH3216 HM501NT 3.2X1.6X1.6MM
L901	6200JB8010U	OR 14*7*7.5H SMC BK 6.0MH-11.0MH
X001	156-A01L	RESONATOR,HC49U 6.000MHZ 30PPM
X601	6202VDT002H	RESONATOR,SX-1 18.432000MHZ +/-30 PPM
<b>JACK</b>		
P002	6612VAH001A	HEC3900-010110 DC (7) BK LN-15A1
P003	380-068E	UEJ-CV-018 UGCOM D3.5 E/P JACK
P104	6612J00010B	PPJ128A-2 A/V 3P WITH S/W RD-WH-YL
P105	6612J00010B	PPJ128A-2 A/V 3P WITH S/W RD-WH-YL

LOCA. NO	PART NO	DESCRIPTION
P104	6612M00001A	UPJ-R1-023 21PIN W/SHLD
P105	6612M00001A	UPJ-R1-023 21PIN W/SHLD
<b>ACCESSORIES</b>		
A7	3828VA0397E	MANUAL,OWNERS RF03FA RT-BA50 100A TX
A8	6850F00001A	CABLE,D-SUB MDR-36 UL20276 210MM
<b>MISCELLANEOUS</b>		
TU101	6700MF0003A	TUNER, TAFH-Z342D LG MULTI FS LT-15A15
TU101	6700PF0002A	TUNER, TAFH-S312D LG PAL FS 4SYS

LOCA. NO	PART NO	DESCRIPTION