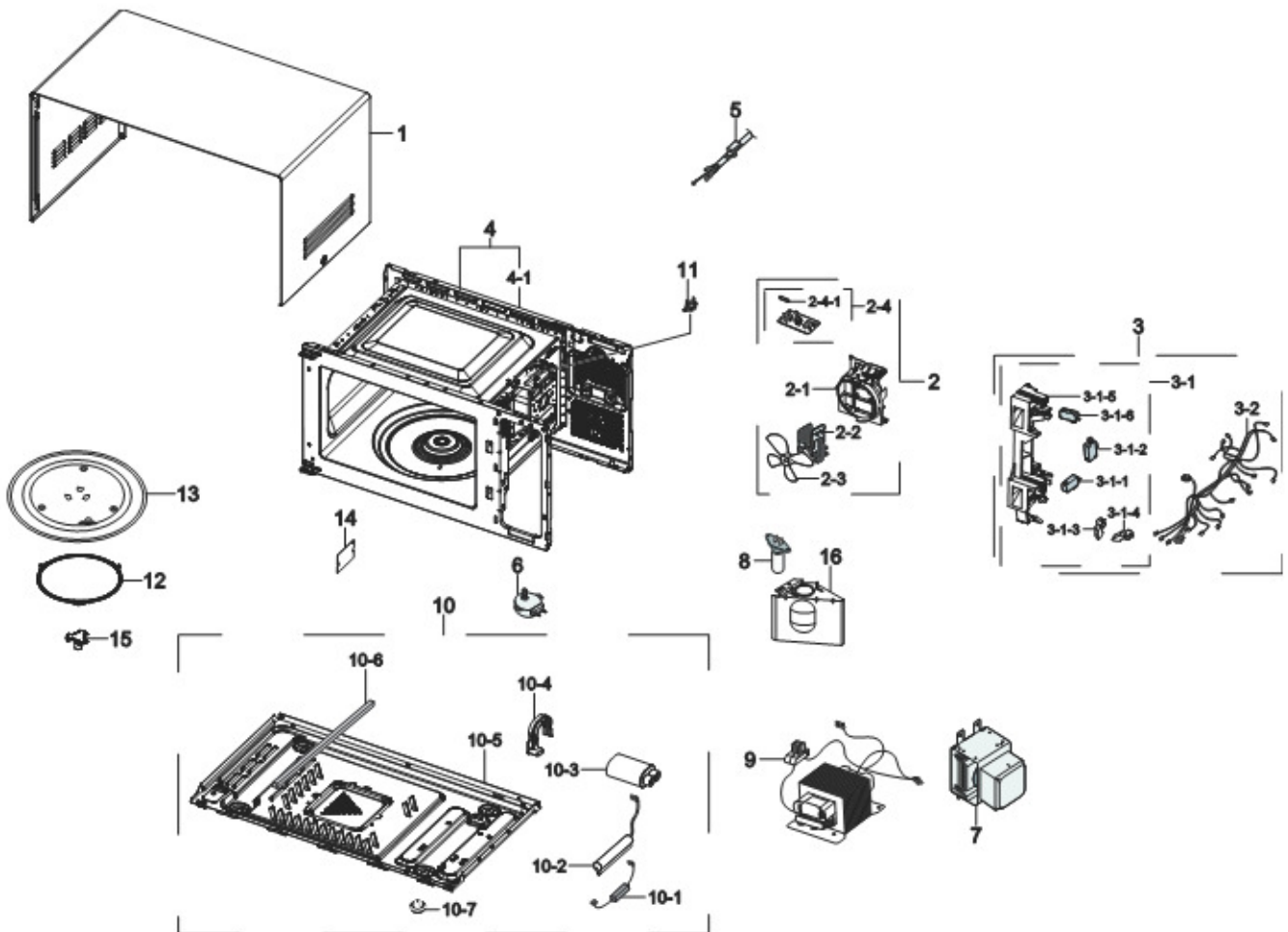


1. MS23K3515AK/EF

Exploded View

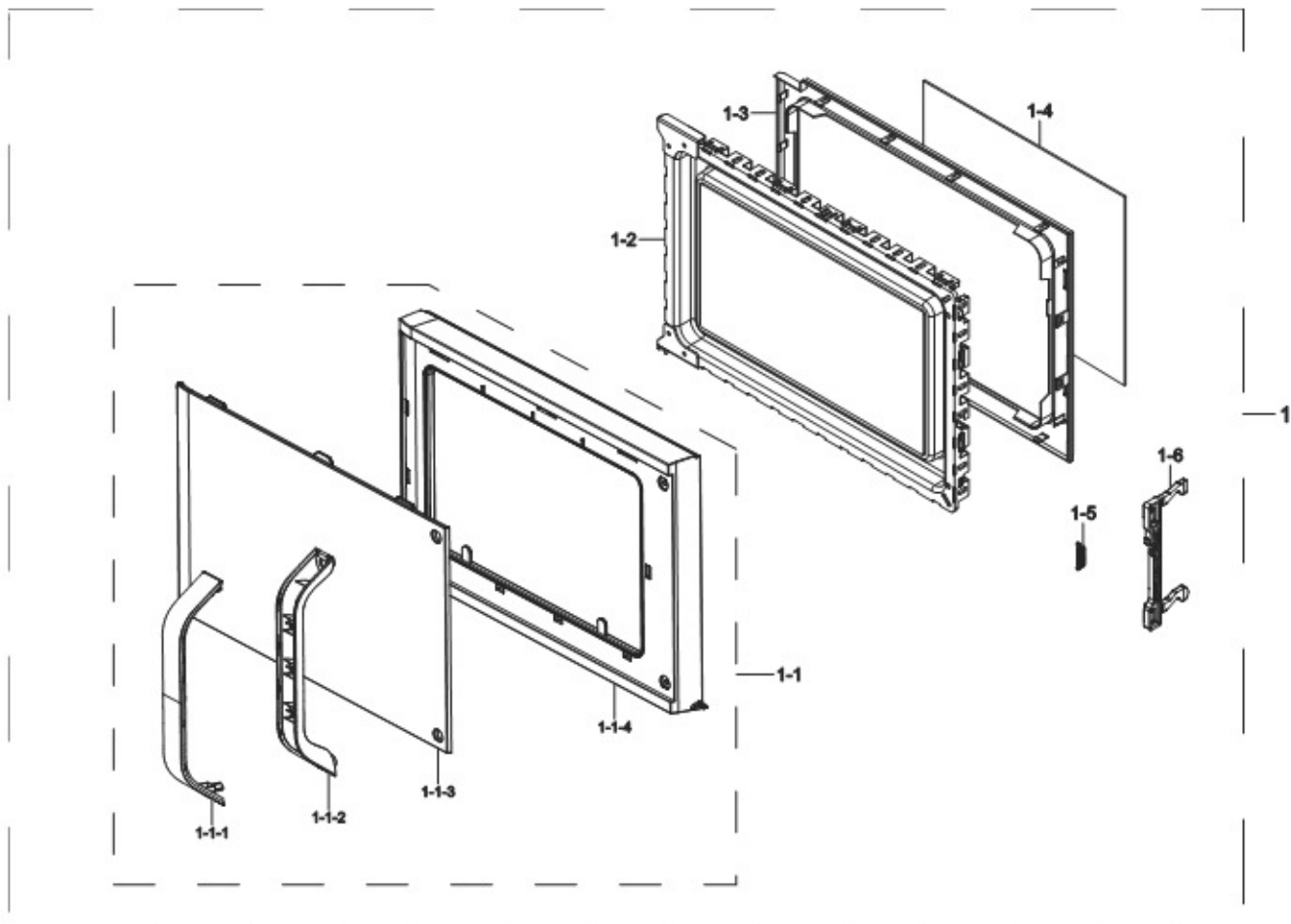


Parts List

No.	Lvl.	Loc.	Description & Specification	SNA	Qty.
1	1	M001	PANEL OUTER; GS89-S,EGI-SECC,T0.4,W488.8,	SA	1
2	2	M020	ASSY MOTOR FAN; MS23J5133AK/TR,230V,50Hz,	SA	1
2-1	3		COVER BLOWER; ECO, NC2K,PP,T1.2,HB,NATURA	SA	1
2-2	3	M023	MOTOR AC FAN; SMF-3RDEA1,2,230V,50Hz,20W,	SA	1
2-3	3	H099	BLADE-FAN; 3RD-W,PP,T1.5,T1.5	SA	1
2-4	3	M017	ASSY NOISE FILTER; SN-ESMA,250V/10A,250V/	SA	1
2-4-1	4	M019	FUSE-CARTRIDGE; 250V,10A,SLOW-BLOW,CERAMI	SC	1
3	1		ASSY HOLDER-WIRE; MS23F301 TAW/ST,DE94-023	SNA	1

2. Assy Door

Exploded View

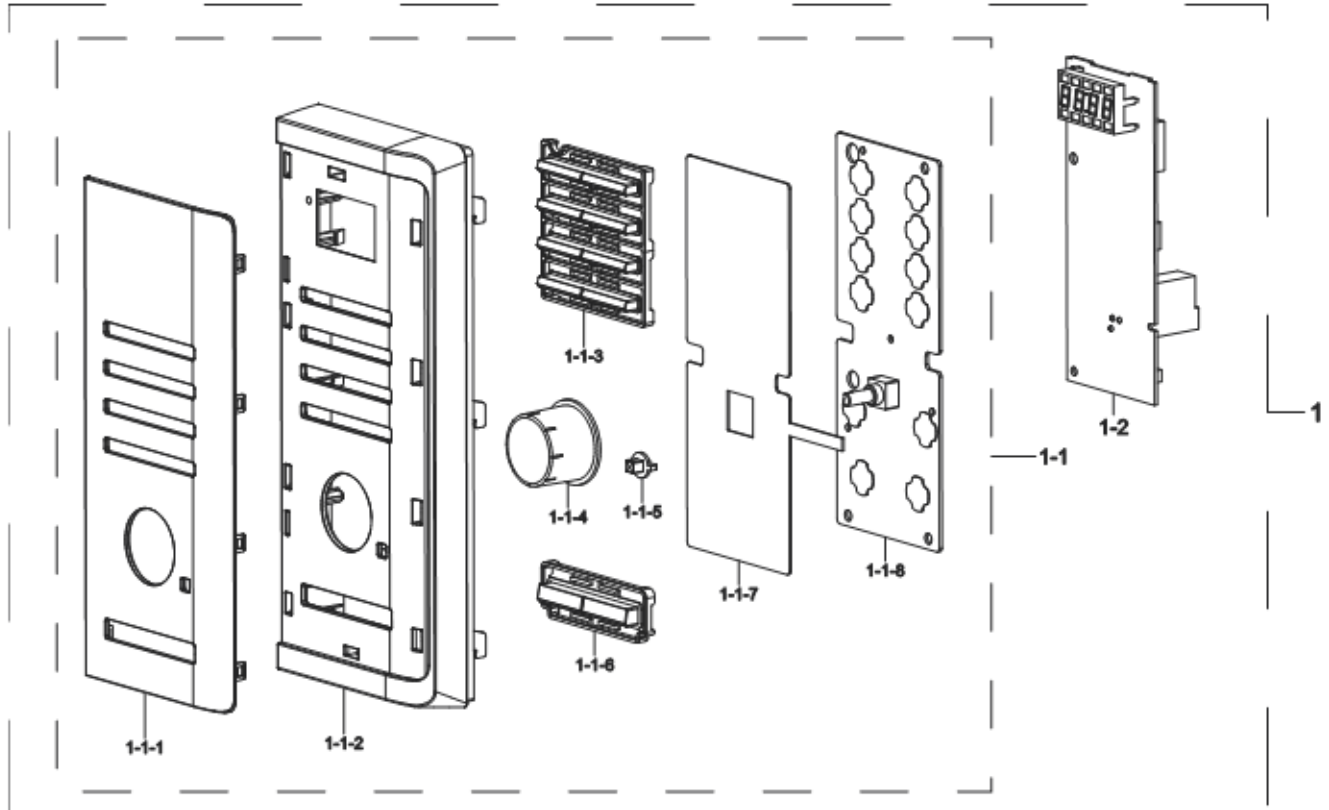


Parts List

No.	Lvl.	Loc.	Material Code	Description & Specification	SNA	Qty.
1	1	D049		ASSY DOOR; MS23K3513AK/EF,ABS,BLACK,MBO,N	SA	1
1-1	2	D037		ASSY DOOR A; MS23K3513AK/SP,ABS,BLACK,MW3	SA	1
1-1-1	3	D147		COVER HANDLE; MW3500K,ABS,HB,GE BLACK,HG-	SNA	1
1-1-2	3	D019		HANDLE DOOR; MW3500K,ABS,W25,L225.3,HG-07	SNA	1
1-1-3	3	D003		SCREEN DOOR; MS23K3555ES/BA,SAN,W232.1,L3	SNA	1
1-1-4	3	D002		DOOR A; MW3500K,ABS,HB,HG-0760SR,GE BLACK	SNA	1
1-2	2	D004		ASSY DOOR E-COATING; MW73B/XEF,EGL-SECC T	SA	1

3. Assy Control Box

Exploded View



Parts List

No.	Lvl.	Loc.	Description & Specification	SNA	Qty.
1	1	C082	ASSY CONTROL BOX; MS23K3515AK/EG,230V50Hz	SNA	1
1-1	2	C001	ASSY CONTROL PANEL; MS23K3515AK/EG,BLACK,	SA	1
1-1-1	3		COVER PANEL; MS23K3515AS/EG,SAN,T2.3,HB,B	SNA	1
1-1-2	3		PANEL CONTROL; MG23K3575AK/EN,ABS,HB,HG-0	SNA	1
1-1-3	3		BUTTON SELECT-A; 0.8 MUSE3,ABS,W73.8, H73	SA	1
1-1-4	3	C025	KNOB; MW3500K,ABS,GE BLACK	SNA	1
1-1-5	3		BUTTON SELECT-B; MC32F606T(1.1CELLO),ABS,	SNA	1
1-1-6	3	C035	BUTTON-CLOCK; MC32F604T,ABS,D30, H20,HB,G	SNA	1
1-1-7	3	C107	FILM BOARD; A1,T0.1,W74,L182,AL,N	SNA	1