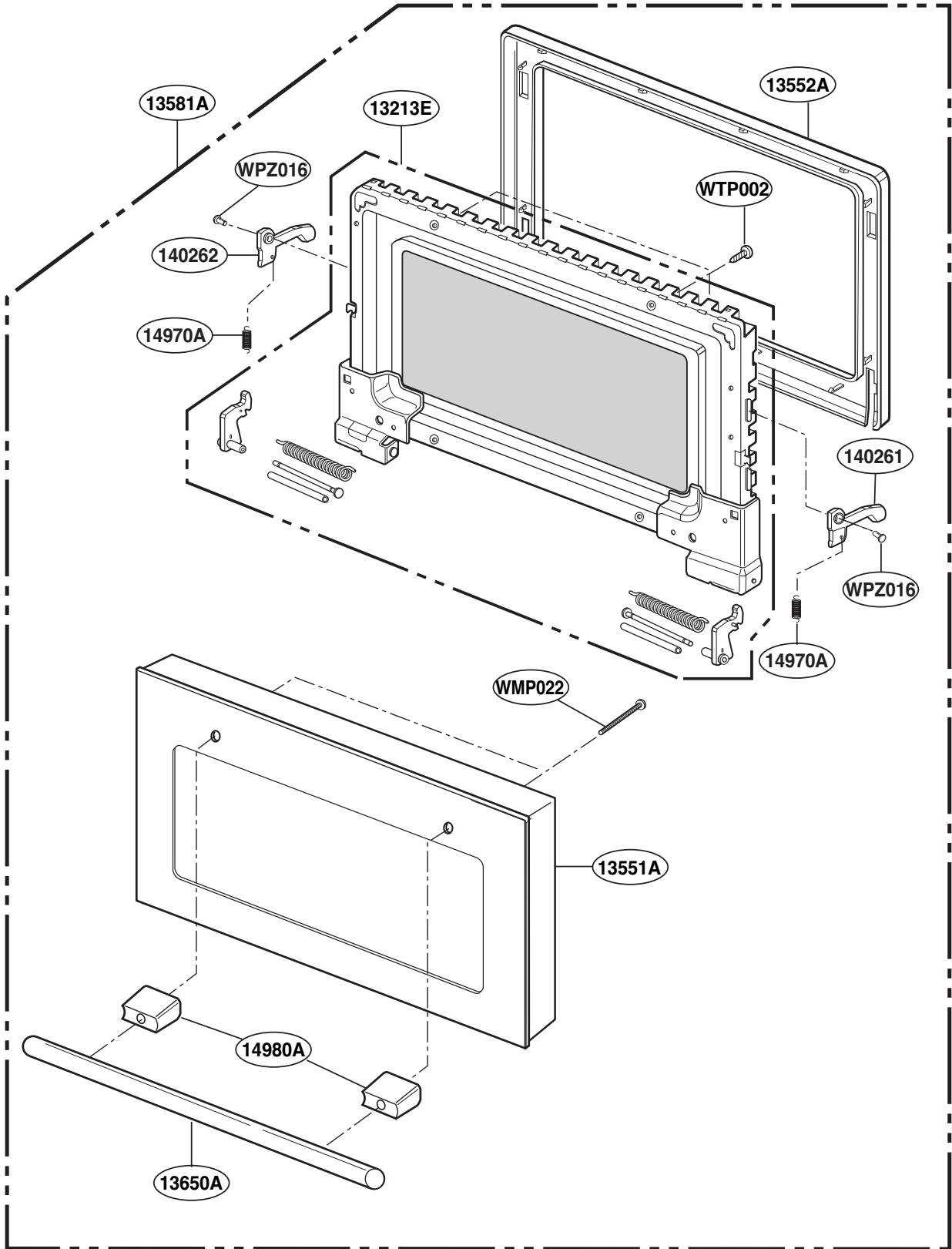
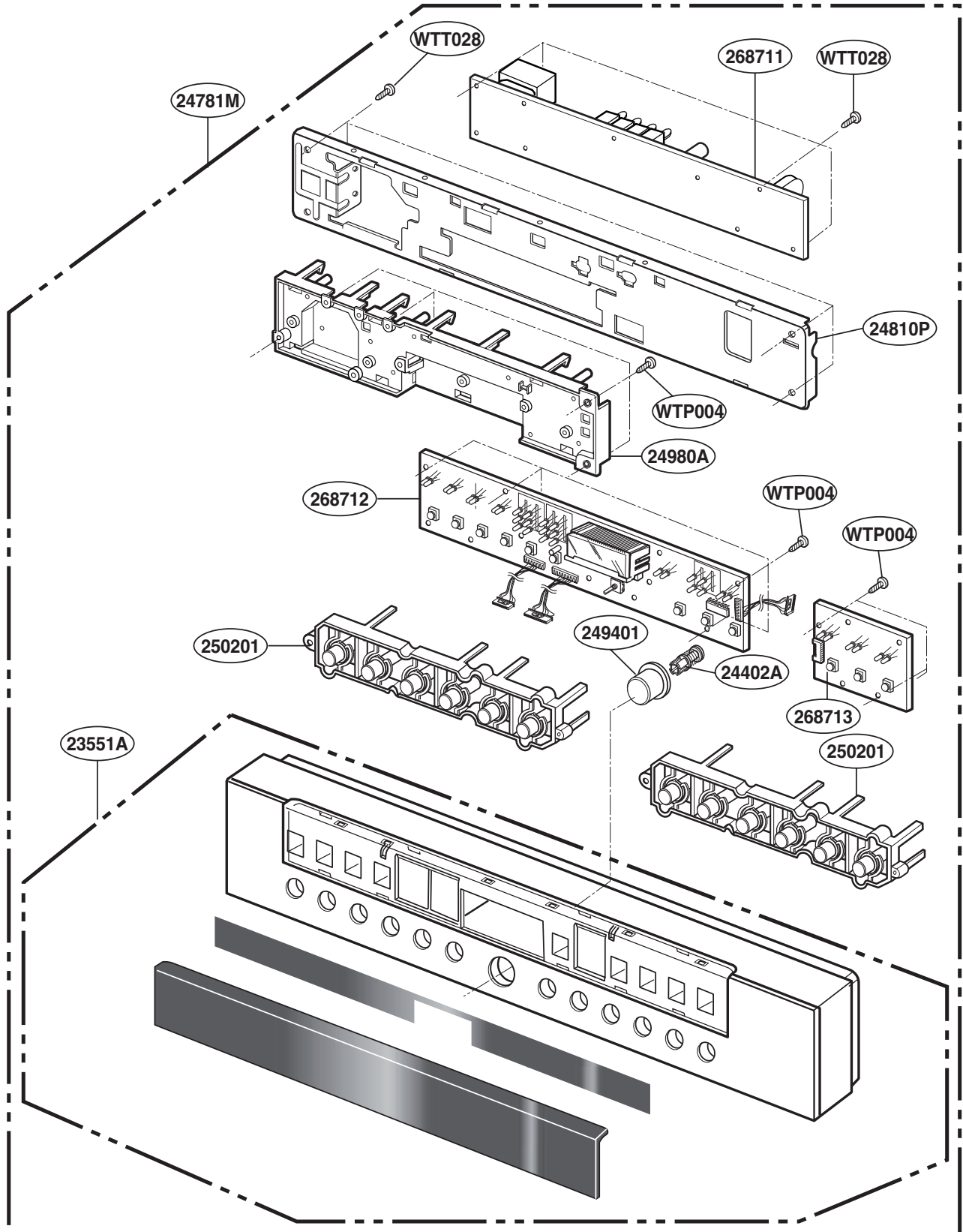


DOOR PARTS

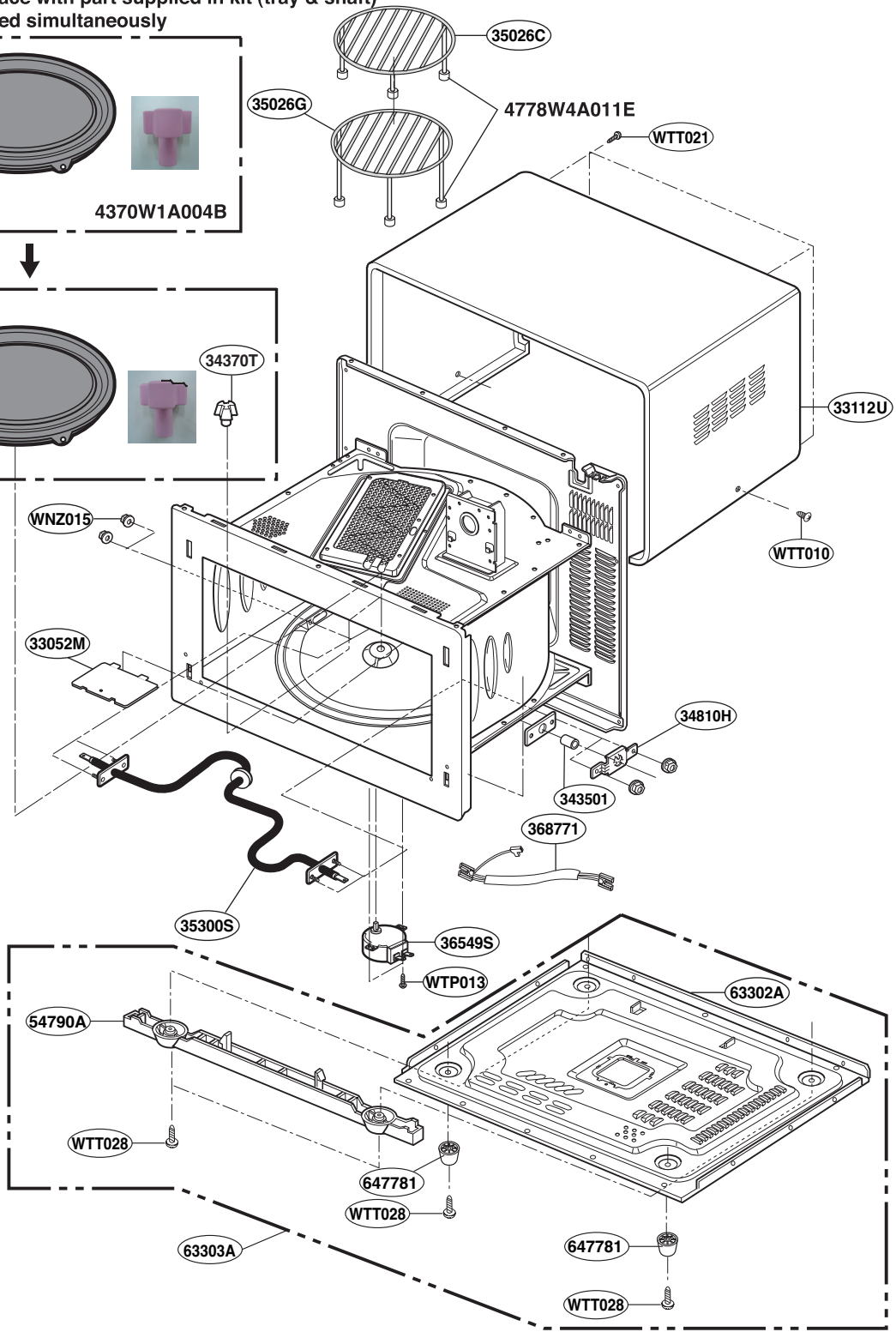
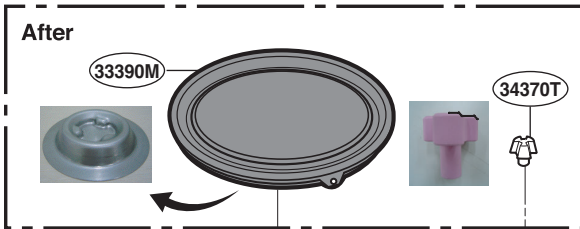
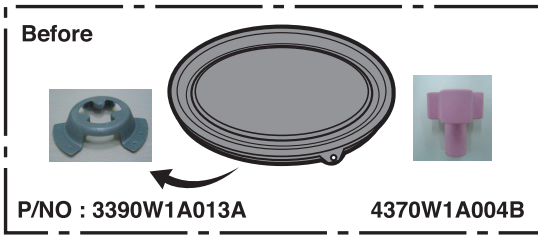


CONTROL PANEL PARTS

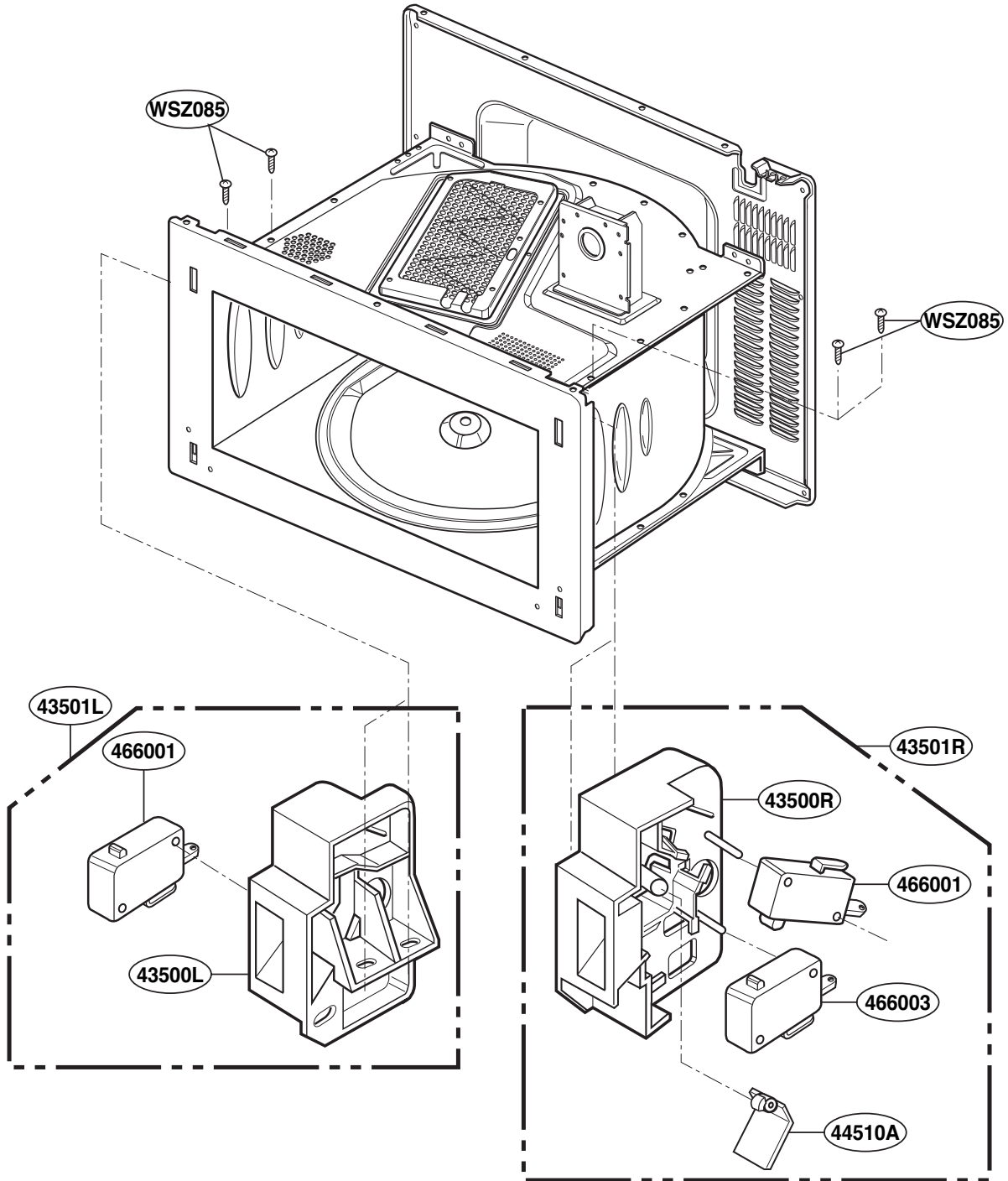


OVEN CAVITY PARTS

- discard original & replace with part supplied in kit (tray & shaft)
- preces must be changed simultaneously



LATCH BOARD PARTS



INTERIOR PARTS (I)

