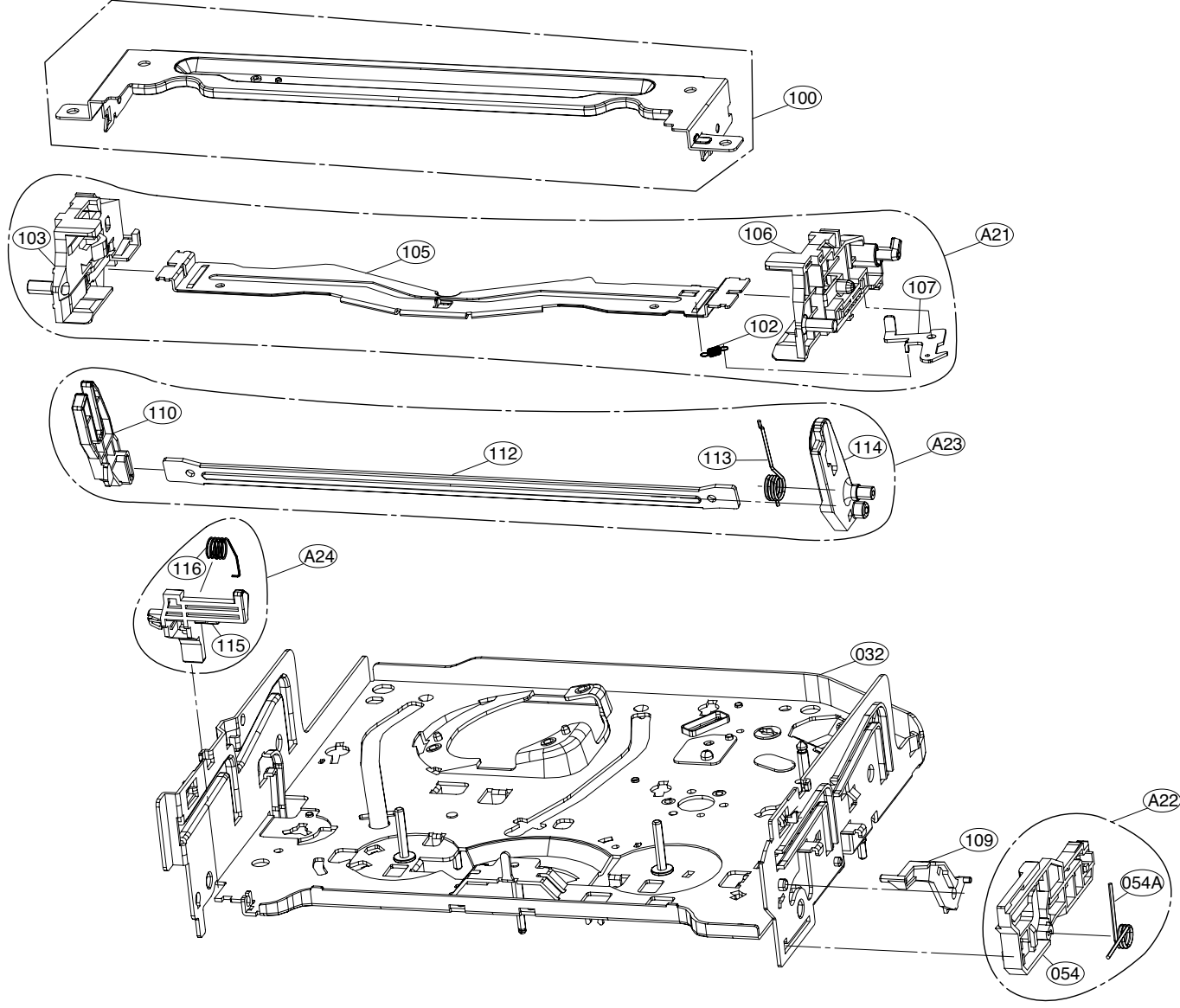


EXPLODED VIEWS

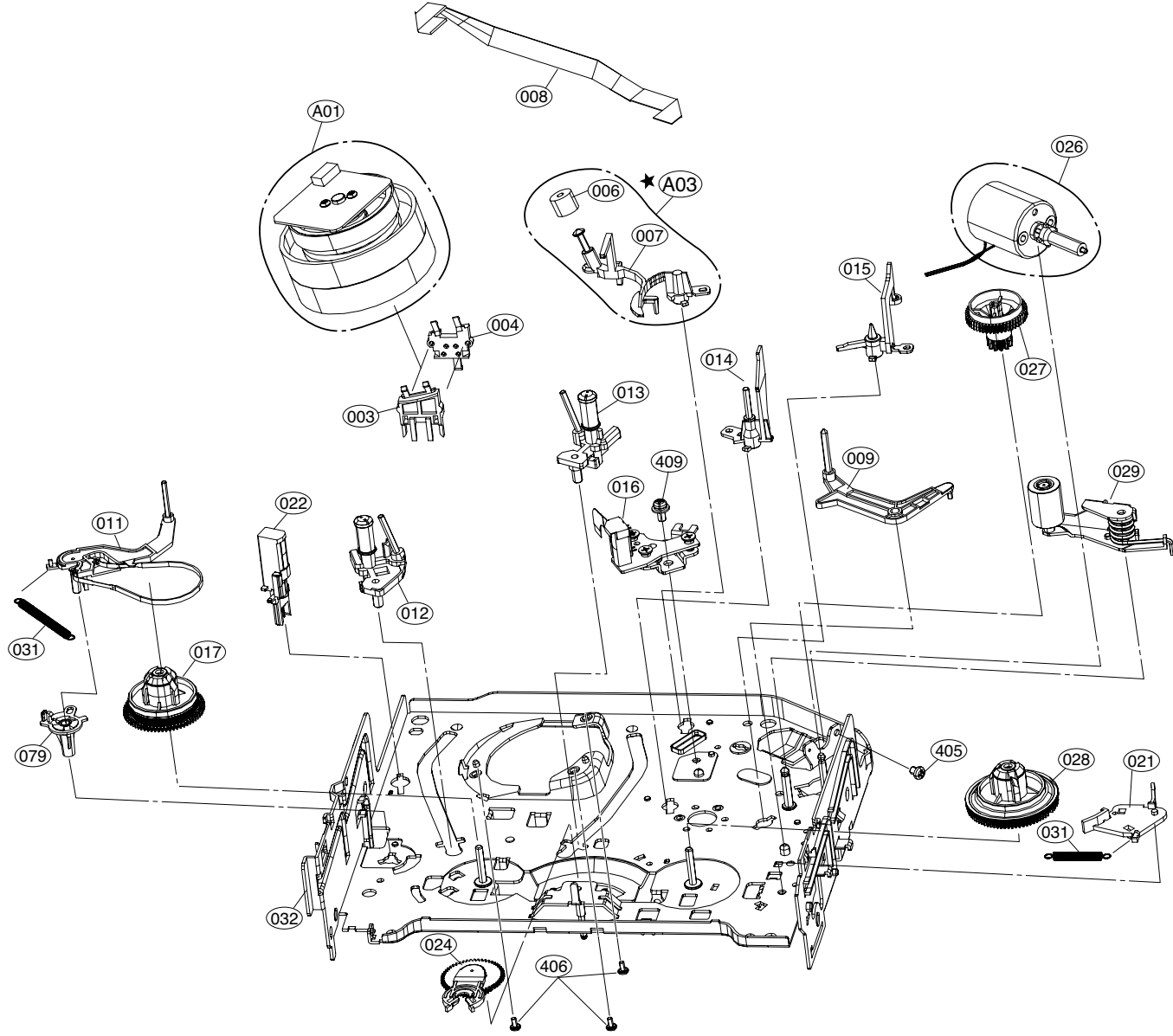
1. Front Loading Mechanism Section



EXPLODED VIEWS

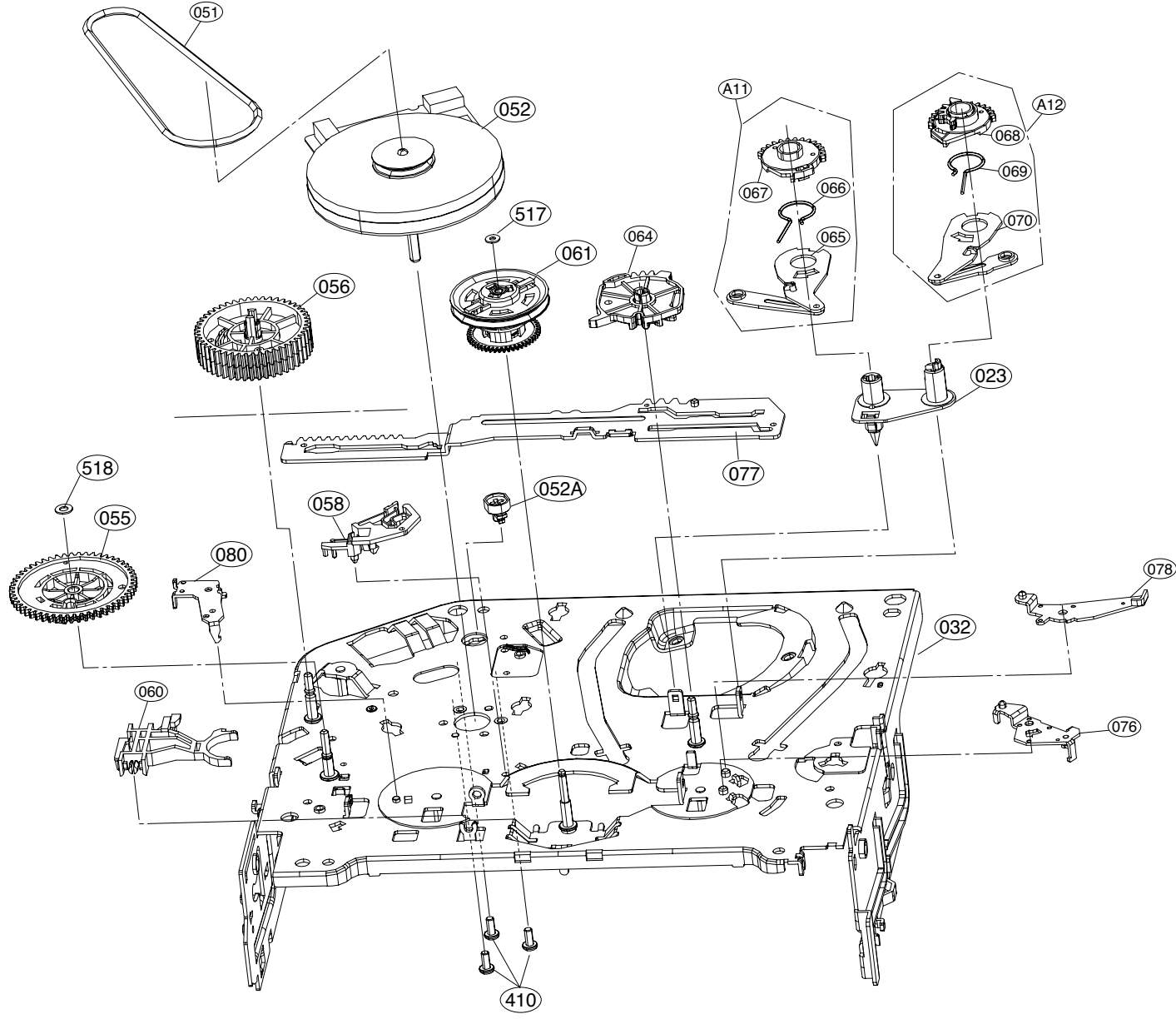
2. Moving Mechanism Section (1)


★ OPTIONAL PART



EXPLODED VIEWS

3. Moving Mechanism Section (2)



NOTES)  Warning
 Parts that are shaded are critical
 With respect to risk of fire or
 electrical shock.

SECTION 5 REPLACEMENT PARTS LIST

MODELS:(A)GD281S (B)GD981NS NA3FLL(LGEFS)

RUN DATE:16,JAN.2004

.MECHANICAL SECTION

NSP:Not Service Part

S	AL	LOCA.NO	PART NO(LG)	A	B	DESCRIPTION	SPECIFICATION	REMARKS
ASSEMBLY PARTS SECTION								
		A00	6721RF0911A	O		DECK ASSEMBLY,VIDEO	DECK/MECHA D37(M) DI (2HD, NP,	NSP
		A00	6721RF0951A		O	DECK ASSEMBLY,VIDEO	DECK/MECHA D37(M) DI (4HF, PAL	NSP
		A01	6723R-0601B	O		DRUM(CIRC) ASSEMBLY	DECK/MECHA (9M2) D37-2CH SP/EP	
		A01	6723R-0603F		O	DRUM(CIRC) ASSEMBLY	DECK/MECHA (9P6S) D37-6CH PAL	
		A03	4261R-0039A	O	O	ARM ASSEMBLY	DECK/MECHA CLEANER - D37	
		A11	4471R-0017A	O	O	GEAR ASSEMBLY	DECK/MECHA P3 - D37	
		A12	4471R-0015A	O	O	GEAR ASSEMBLY	DECK/MECHA P2 - D37	
		A21	4931R-0084A	O	O	HOLDER ASSEMBLY	DECK/MECHA CST - D37	
		A22	4471R-0016A	O	O	GEAR ASSEMBLY	DECK/MECHA RACK F/L - D37	
		A23	4261R-0038A	O	O	ARM ASSEMBLY	DECK/MECHA F/L - D37	
		A24	4511R-0004A	O	O	LEVER ASSEMBLY	SWIHCH(V) - D37	
PARTS SECTION								
		003	4930R-0376A		O	HOLDER	DECK/MECHA FPCB(6CH) - D35S, D	
		003	4930R-0468A	O		HOLDER	DECK/MECHA FPCB(2CH) - D35S,D3	
		004	5006R-0042A	O	O	CAP	DECK/MECHA FPCB - D35S, D37V O	
		006	4580R-0004A	O	O	ROLLER	CLEANER	NSP
		007	4260R-0053A	O	O	ARM	DECK/MECHA CLEANER MOLD - D37	NSP
		008	6850R-HG18Y	O	O	CABLE,FLAT	P=1.25 FFC UL2896(0.05X0.8) 7	
		009	4260R-0056A	O	O	ARM	DECK/MECHA T/UP OTHER - D37	
		011	4261R-0040A	O	O	ARM ASSEMBLY	DECK/MECHA TENSION - D37	
		012	3041R-M037A	O	O	BASE ASSEMBLY	P2 -D37	
		013	3041R-M038A	O	O	BASE ASSEMBLY	P3 - D37	
		014	3041R-M039A	O	O	BASE ASSEMBLY	P4 - D37	
		015	5870R-0007A	O	O	OPENER	DECK/MECHA LID OTHER - D37	
		016	3041R-M036A	O	O	BASE ASSEMBLY	A/C HEAD (ALPS) - D37	
		017	4408R-0005A	O	O	REEL	DECK/MECHA S OTHER - D37	
		021	4421R-M002A	O	O	BRAKE ASSEMBLY	T - D37	
		022	6520D00004A	O	O	HEAD(CIRC)	ST ST FE HEAD FOR D37	
		023	3040R-M056A	O	O	BASE	LOADING OTHER - D37	
		024	4261R-0041A	O	O	ARM ASSEMBLY	DECK/MECHA IDLER(H)	
		026	4681RF0039A	O	O	MOTOR ASSEMBLY	DECK/MECHA L/D - (DI) D37	
		027	4470R-0133A	O	O	GEAR	DECK/MECHA WHEEL OTHER - D37	
		028	4408R-0006A	O	O	REEL	DECK/MECHA T OTHER - D37	
		029	4261R-0037A	O	O	ARM ASSEMBLY	DECK/MECHA PINCH - D37	
		031	4970R-0175A	O	O	SPRING	COIL TENSION - D37	
		032	3141R-M002A	O	O	CHASSIS ASSEMBLY	D37	NSP
		051	4400R-0005A	O	O	BELT	CAPSTAN	
		052	4680R-A015A	O	O	MOTOR(MECH)	CAPSTAN F2QVB66 SANKYO FOR D37	
		052A	4980R-0029A	O	O	SUPPORTER	DECK/MECHA CAPSTAN OTHER - D37	
		054	4470R-0136A	O	O	GEAR	DECK/MECHA RACK F/L OTHER - D3	
		054A	4970R-0171A	O	O	SPRING	COIL RACK F/L - D37	

S	AL	LOCA.NO	PART NO(LG)	A	B	DESCRIPTION	SPECIFICATION	REMARKS
		055	4470R-0140A	O	O	GEAR	DECK/MECHA DRIVE OTHER - D37	
		056	4470R-0139A	O	O	GEAR	DECK/MECHA CAM OTHER - D37	
		058	4421R-M001A		O	BRAKE ASSEMBLY	CAPSTAN -D37	
		060	4510R-0065A	O	O	LEVER	DECK/MECHA F/R OTHER - D37	
		061	4265R-0008A	O	O	CLUTCH ASSEMBLY	DECK/MECHA D37(M)	
		064	4470R-0141A	O	O	GEAR	DECK/MECHA SECTOR OTHER - D37	
		065	4261R-0044A	O	O	ARM ASSEMBLY	DECK/MECHA P3 - D37	NSP
		066	4970R-0122A	O	O	SPRING	COIL D35	NSP
		067	4470R-0135A	O	O	GEAR	DECK/MECHA P3 OTHER - D37	NSP
		068	4470R-0134A	O	O	GEAR	DECK/MECHA P2 OTHER - D37	NSP
		069	4970R-0122A	O	O	SPRING	COIL D35	NSP
		070	4261R-0043A	O	O	ARM ASSEMBLY	DECK/MECHA P2 - D37	NSP
		076	4510R-0063A	O	O	LEVER	DECK/MECHA SPRING OTHER - D37	
		077	3300R-M203A	O	O	PLATE	SLIDER OTHER - D37	
		078	4510R-0062A	O	O	LEVER	DECK/MECHA TENSION OTHER - D37	
		079	3040R-M057A	O	O	BASE	TENSION OTHER - D37	
		080	4510R-0064A	O	O	LEVER	DECK/MECHA BRAKE OTHER - D37	
		100	3300R-M202A	O	O	PLATE	TOP OTHER - D37	
		102	4970R-0173A	O	O	SPRING	COIL STOPPER - D37	
		103	4930R-0452A	O	O	HOLDER	DECK/MECHA SIDE (L) OTHER - D3	NSP
		105	4930R-0450A	O	O	HOLDER	DECK/MECHA CST OTHER - D37	NSP
		106	4930R-0451A	O	O	HOLDER	DECK/MECHA SIDE(R) OTHER - D37	NSP
		107	4510R-0061A	O	O	LEVER	DECK/MECHA STOPPER OTHER - D37	NSP
		109	5870R-0008A	O	O	OPENER	DECK/MECHA DOOR OTHER - D37	
		110	4260R-0051A	O	O	ARM	DECK/MECHA F/L(L) OTHER - D37	NSP
		112	3070R-0002A	O	O	BODY	F/L	NSP
		113	4970R-0169A	O	O	SPRING	COIL F/L(R) - D37	NSP
		114	4260R-0052A	O	O	ARM	DECK/MECHA F/L (R) OTHER - D37	NSP
		115	4510R-0060A	O	O	LEVER	DECK/MECHA SWITCH(V) OTHER - D	
		116	4970R-0163A	O	O	SPRING	COIL D35S SWITCH	
SCREW								
		405	1MPC0301499	O	O	SCREW MACHINE,PAN HEAD	D3.0 L4.0 SWRCH18A/FZY	
		406	1MEC0302018	O	O	PAN HEAD MACHINE SCREW S/W +	D 3.0 L 6.0 MSWR3/FZY	
		409	1SZZR-0032B	O	O	SCREW,DRAWING	+ 1 D2.6 L5.0 SWRCH18A/FZY TAP	
		410	1APF0262218	O	O	SCREW TAP TITE(B),PAN HEAD	D2.6 L6.8 MSWR3/FZY	
.CABINET & MAIN FRAME SECTION								
ASSEMBLY PARTS SECTION								
		A42	6871R-4871K		O	PWB(PCB) ASSEMBLY,TOTAL	8TOOL W/F.AV LEFT KEY DIEVNT	
		A43	3721R-F398E	O		PANEL ASSEMBLY,FRONT	VCR GD281S NA3FLL	
		A43	3721R-F398F		O	PANEL ASSEMBLY,FRONT	VCR GD981NS NA3FLL	
		A46	3501R-8870D		O	BOARD ASSEMBLY	VCR GD981NS DI	
		A46	3501R-8870E	O		BOARD ASSEMBLY	VCR PAL 2HD GD281S DI	
PARTS SECTION								
		250	3110R-V023A	O	O	CASE	V6 MAIN PRESS TOP A288G(520MM*)	
		260	3210R-V010F	O	O	FRAME	V6 MAIN MOLD 60HR 86570B "B"	NSP
		261	3300R-V073A	O	O	PLATE	V6 MAIN PRESS TUNER GROUND	
		275	4930R-0381A	O	O	HOLDER	END(S)	
		280	3720R-F257E	O		PANEL,VIDEO	VCR GD281S NA3FLL MOLD	NSP
		280	3720R-F257F		O	PANEL,VIDEO	VCR GD981NS NA3FLL MOLD	NSP
		283	3580R-V091A	O	O	DOOR	VCR GC98 MOLD SLIM VCR	
		283	442-681A	O		SPRING	DOOR	
		284	442-681A		O	SPRING	DOOR	
		300	6410RCHV02A	O	O	POWER CORD	H03VVH2-F2 X 0.75MM FILTER VOL	
		320	3720R-D107B	O		PANEL,VIDEO	VCR V6(2SCART) MONO MOLD DISTR	

S	AL	LOCA.NO	PART NO(LG)	A	B	DESCRIPTION	SPECIFICATION	REMARKS
		320	3720R-D107B		O	PANEL,VIDEO	VCR V6(2SCART) MONO MOLD DISTR	
		323	3300R-V081A	O		PLATE	V7 PRESS PRE AMP	
		323	3300R-V081A		O	PLATE	V7 PRESS PRE AMP	
		330	3550R-4109A	O	O	COVER	VCR V6 MAIN PRESS BOTTOM	
SCREW								
		452	353-051A	O	O	SCREW,DRAWING	SPECIAL	
		457	353-051E	O	O	SCREW,DRAWING	SPECIAL (3X12)	
		462	353-136D	O	O	SCREW,DRAWING	+ 2 D4.0 L12.5 MSWR3/FN (SILVE	
		517	1WZZR-0004D	O	O	WASHER,DRAWING	STOPPER	
		518	1WZZR-0004A	O	O	WASHER,DRAWING	STOPPER	
.PACKING & ACCESSORY SECTION								
		801	3835RV0007H	O	O	INSTRUCTION ASSEMBLY	VCR GD981NS.NA3FLL_LGEFS ENG/F	
		802	3890R-C073G		O	BOX	GD981NS NA3FLL DW2 LGEFS-MG64	
		802	3890R-C073Q	O		BOX	GD281S NA3FLL DW2 MG24	
		803	3920R-E100A	O	O	PACKING,CASING	GC690(V6) 0.02 80 EPS 5 1394 2	
		804	292-053A	O	O	BAG	SOFT(VCP)	NSP
		808	534-008C	O	O	BATTERY,MANGANESE	AAAM(R03) SEOTONG 1-5 V - 1PA	
		810	6851R-0054B	O	O	CABLE ASSEMBLY	PAL RF 1.2M FREE OF CD_PB_HG H	
.REMOTE CONTROL SECTION								
		900	6711R1P073B	O	O	REMOTE CONTROLLER ASSEMBLY	V1 GC230W LG W/SHOWVIEW	

.ELECTRICAL SECTION

S	AL	LOCA.NO	PART NO(LG)	A	B	DESCRIPTION	SPECIFICATION	REMARKS
		BD101	0DD160000DA	O	O	DIODE,RECTIFIERS	S1WBA60 BK SHINDENGEN - 600V -	
⚠		C101	624-088L	O	O	CAPACITOR,DRAWING	435D SUNIL ELECTRONICS 0.1UF/2	
⚠		C102	624-088L	O	O	CAPACITOR,DRAWING	435D SUNIL ELECTRONICS 0.1UF/2	
		C103	0CE686CU611	O	O	CAPACITOR,AL.ELECTROLYTIC	68UF SHL,SD 400V M FL BK7.5	
		C105	0CQ1031Y519	O	O	CAPACITOR,FIXED FILM	0.01UF D 630V 10% PE NI TP5	
		C106	624-087B	O	O	CAPACITOR	HIGH-VOL 100P/1KV SMPS SAMHWA	
		C109	0CE1064K638	O	O	CAPACITOR,FIXED ELECTROLYTIC	10M SRA 50V M FM5 TP(5)	
⚠		C112	0CG3320U630	O	O	CAPACITOR,SEMI CERAMIC	3300 PF 400V M E R(NK,AD,SD)	
⚠		C113	0CG3310U510	O	O	CAPACITOR,FIXED CERAMIC(TEMP.C	330PF D 400V 10% B(Y5P) R	
		C114	0CQ4732K409	O	O	CAPACITOR,FIXED FILM	0.047UF S 50V 5% PE TP5	
		C115	624-085D	O	O	CAPACITOR	CE 47UF/50V KME (SMPS)	
		C116	0CE108BF630	O	O	CAPACITOR,FIXED ELECTROLYTIC	1000UF KME 16V M FM5 BULK	
		C117	624-082H	O	O	CAPACITOR	CE 1000UF/10V SHL(10*12.5)T/P	
		C120	0CE477BH630	O	O	CAPACITOR,AL.ELECTROLYTIC	470UF KME TYPE 25V M FM5 BULK	
		C121	0CE227CH618	O	O	CAPACITOR,FIXED ELECTROLYTIC	220UF SHL,SD 25V 20% FL TP 5	
		C123	0CE337BJ610	O	O	CAPACITOR,FIXED ELECTROLYTIC	330UF KME TYPE 35V 20% FL BULK	
		C127	0CN223AK948	O	O	CAPACITOR,TUBULAR(HIGH DIELEC)	0.022UF 50V Z F TA26 S	
		C135	0CN4710K518	O	O	CAPACITOR TUBULA(HIGH DIELE)	470P 50V K B TA26	
		C153	0CE1064F638	O	O	CAPACITOR,ELECTROLYTIC	10M SRA 16V M FM5 TP(5)	
		C156	0CE4764J638	O	O	CAPACITOR,AL.ELECTROLYTIC	47UF SRA,SS 35V M FM5 TP 5	
		C201	0CH1103K512	O	O	CAPA,CHIP CERAMIC M/L H.D F/S	0.0100UF 50V K B 1608 R/TP	
		C202	0CH1103K512	O	O	CAPA,CHIP CERAMIC M/L H.D F/S	0.0100UF 50V K B 1608 R/TP	
		C203	0CE1054K638	O	O	CAPACITOR,ELECTROLYTIC	1.0M SRA/SS50V M FM5 TP(5)	
		C204	0CE1054K638	O	O	CAPACITOR,ELECTROLYTIC	1.0M SRA/SS50V M FM5 TP(5)	
		C205	0CH1104K512	O	O	CAPACITOR,FIXED CERAMIC(Temp.c	0.1UF 50V 10% B(5YP) 1608 R/TP	
		C206	0CH1103K512	O	O	CAPA,CHIP CERAMIC M/L H.D F/S	0.0100UF 50V K B 1608 R/TP	
		C207	0CE4744K638	O	O	CAPACITOR,ELECTROLYTIC	0.47M SRA 50V M FM5 TP(5)	
		C208	0CH1103K512	O	O	CAPA,CHIP CERAMIC M/L H.D F/S	0.0100UF 50V K B 1608 R/TP	
		C209	0CH1103K512	O	O	CAPA,CHIP CERAMIC M/L H.D F/S	0.0100UF 50V K B 1608 R/TP	
		C210	0CE4744K638	O	O	CAPACITOR,ELECTROLYTIC	0.47M SRA 50V M FM5 TP(5)	
		C211	0CH1222K512	O	O	CAPACITOR,CHIP[CERAMIC M/L HD	2200PF 50V K B 1608 R/TP	
		C212	0CH1222K512	O	O	CAPACITOR,CHIP[CERAMIC M/L HD	2200PF 50V K B 1608 R/TP	
		C213	0CE2254K638	O	O	CAPACITOR,FIXED ELECTROLYTIC	2.2UF SRA,SS 50V 20% FM5 TP 5	
		C214	0CH1103K512	O	O	CAPA,CHIP CERAMIC M/L H.D F/S	0.0100UF 50V K B 1608 R/TP	
		C215	0CE4764F638	O	O	CAPACITOR,ELECTROLYTIC	47M SRA/SS 16V M FM5 TP(5)	
		C216	0CH1103K512	O	O	CAPA,CHIP CERAMIC M/L H.D F/S	0.0100UF 50V K B 1608 R/TP	
		C301	0CE4754K638	O	O	CAPACITOR,FIXED ELECTROLYTIC	4.7UF SRA,SS 50V 20% FM5 TP 5	
		C302	0CE2264F638	O	O	CAPACITOR,FIXED ELECTROLYTIC	22UF SRA,SS 16V 20% FM5 TP 5	
		C303	0CH1122K562	O	O	CAPACITOR,FIXED CERAMIC(Temp.c	1200PF 50V 10% X7R(X) 1608 R/T	
		C304	0CE4764F638	O	O	CAPACITOR,ELECTROLYTIC	47M SRA/SS 16V M FM5 TP(5)	
		C305	0CH1103K512	O	O	CAPA,CHIP CERAMIC M/L H.D F/S	0.0100UF 50V K B 1608 R/TP	
		C306	0CH1122K562	O	O	CAPACITOR,FIXED CERAMIC(Temp.c	1200PF 50V 10% X7R(X) 1608 R/T	
		C307	0CE1054K638	O	O	CAPACITOR,ELECTROLYTIC	1.0M SRA/SS50V M FM5 TP(5)	
		C308	0CQ1531N409	O	O	CAPACITOR,FIXED FILM	0.015UF D 100V 5% PE TP5	
		C309	0CH4121K412	O	O	CAPACITOR,CHIP[CERAMIC M/L TC	120P 50V J COG 1.6X0.8 R/TP	
		C310	0CN2210K518	O	O	CAPACITOR TUBULA(HIGH DIELE)	220P 50V K B TA26	
		C311	0CE4764F638	O	O	CAPACITOR,ELECTROLYTIC	47M SRA/SS 16V M FM5 TP(5)	
		C312	0CH1103K512	O	O	CAPA,CHIP CERAMIC M/L H.D F/S	0.0100UF 50V K B 1608 R/TP	
		C314	0CE2264F638	O	O	CAPACITOR,FIXED ELECTROLYTIC	22UF SRA,SS 16V 20% FM5 TP 5	
		C315	0CE2253K636	O	O	CAPACITOR,FIXED ELECTROLYTIC	2.2UF SRE,SE 50V 20% FM5 BP(D)	
		C316	0CE1064F638	O	O	CAPACITOR,ELECTROLYTIC	10M SRA 16V M FM5 TP(5)	
		C317	0CH1103K512	O	O	CAPA,CHIP CERAMIC M/L H.D F/S	0.0100UF 50V K B 1608 R/TP	
		C318	0CE1054K638	O	O	CAPACITOR,ELECTROLYTIC	1.0M SRA/SS50V M FM5 TP(5)	

S	AL	LOCA.NO	PART NO(LG)	A	B	DESCRIPTION	SPECIFICATION	REMARKS
		C319	0CQ1032K409	O	O	CAPACITOR, FIXED FILM	0.01UF S 50V 5% PE TP5	
		C320	0CE1054K638	O	O	CAPACITOR, ELECTROLYTIC	1.0M SRA/SS50V M FM5 TP(5)	
		C321	0CH4680K412	O	O	CAPACITOR, FIXED CERAMIC(HIGH D	68PF 50V 5% NP0 1608 R/TP	
		C322	0CE1064F638	O	O	CAPACITOR, ELECTROLYTIC	10M SRA 16V M FM5 TP(5)	
		C323	0CE1064F638	O	O	CAPACITOR, ELECTROLYTIC	10M SRA 16V M FM5 TP(5)	
		C324	0CE4754K638	O	O	CAPACITOR, FIXED ELECTROLYTIC	4.7UF SRA,SS 50V 20% FM5 TP 5	
		C325	0CE1064F638	O	O	CAPACITOR, ELECTROLYTIC	10M SRA 16V M FM5 TP(5)	
		C326	0CH1103K512	O	O	CAPA, CHIP CERAMIC M/L H.D F/S	0.0100UF 50V K B 1608 R/TP	
		C327	0CE1054K638	O	O	CAPACITOR, ELECTROLYTIC	1.0M SRA/SS50V M FM5 TP(5)	
		C328	0CH1103K512	O	O	CAPA, CHIP CERAMIC M/L H.D F/S	0.0100UF 50V K B 1608 R/TP	
		C329	0CH1103K512	O	O	CAPA, CHIP CERAMIC M/L H.D F/S	0.0100UF 50V K B 1608 R/TP	
		C330	0CH1104K512	O	O	CAPACITOR, FIXED CERAMIC(Temp.c	0.1UF 50V 10% B(5YP) 1608 R/TP	
		C331	0CE1064F638	O	O	CAPACITOR, ELECTROLYTIC	10M SRA 16V M FM5 TP(5)	
		C333	0CE4764F638	O	O	CAPACITOR, ELECTROLYTIC	47M SRA/SS 16V M FM5 TP(5)	
		C334	0CH1473K516	O	O	CHIP CAPA CERAMIC M/L H.D F/S	0.047U 50V K X7R 2.0X1.2 R/TP	
		C335	0CH1103K512	O	O	CAPA, CHIP CERAMIC M/L H.D F/S	0.0100UF 50V K B 1608 R/TP	
		C336	0CE4764F638	O	O	CAPACITOR, ELECTROLYTIC	47M SRA/SS 16V M FM5 TP(5)	
		C337	0CE1054K638	O	O	CAPACITOR, ELECTROLYTIC	1.0M SRA/SS50V M FM5 TP(5)	
		C338	0CH1473K516	O	O	CHIP CAPA CERAMIC M/L H.D F/S	0.047U 50V K X7R 2.0X1.2 R/TP	
		C339	0CE1054K638	O	O	CAPACITOR, ELECTROLYTIC	1.0M SRA/SS50V M FM5 TP(5)	
		C340	0CH1473K516	O	O	CHIP CAPA CERAMIC M/L H.D F/S	0.047U 50V K X7R 2.0X1.2 R/TP	
		C341	0CH1223K942	O	O	CAPACITOR, CHIP CERAMIC M/L HD	0.022UF 50V Z Y5V(F) 1508 R/TP	
		C342	0CH1104K512	O	O	CAPACITOR, FIXED CERAMIC(Temp.c	0.1UF 50V 10% B(5YP) 1608 R/TP	
		C343	0CH1473K516	O	O	CHIP CAPA CERAMIC M/L H.D F/S	0.047U 50V K X7R 2.0X1.2 R/TP	
		C344	0CH4101K412	O	O	CHIP CAPA CERAMIC M/L T.C F/S	100P 50V J COG 1.6X0.8 R/TP	
		C345	0CH1333K562	O	O	CAPACITOR, CHIP CERAMIC M/L HD	0.033UF 50V K X7R(X) 1508 R/TP	
		C346	0CE4764F638	O	O	CAPACITOR, ELECTROLYTIC	47M SRA/SS 16V M FM5 TP(5)	
		C347	0CE1054K638	O	O	CAPACITOR, ELECTROLYTIC	1.0M SRA/SS50V M FM5 TP(5)	
		C348	0CE1054K638	O	O	CAPACITOR, ELECTROLYTIC	1.0M SRA/SS50V M FM5 TP(5)	
		C349	0CE4764F638	O	O	CAPACITOR, ELECTROLYTIC	47M SRA/SS 16V M FM5 TP(5)	
		C350	0CH1104K512	O	O	CAPACITOR, FIXED CERAMIC(Temp.c	0.1UF 50V 10% B(5YP) 1608 R/TP	
		C353	0CE1054K638	O	O	CAPACITOR, ELECTROLYTIC	1.0M SRA/SS50V M FM5 TP(5)	
		C355	0CH1104K512	O	O	CAPACITOR, FIXED CERAMIC(Temp.c	0.1UF 50V 10% B(5YP) 1608 R/TP	
		C356	0CE1054K638	O	O	CAPACITOR, ELECTROLYTIC	1.0M SRA/SS50V M FM5 TP(5)	
		C357	0CE1054K638	O	O	CAPACITOR, ELECTROLYTIC	1.0M SRA/SS50V M FM5 TP(5)	
		C358	0CH4680K412	O	O	CAPACITOR, FIXED CERAMIC(HIGH D	68PF 50V 5% NP0 1608 R/TP	
		C359	0CE1054K638	O	O	CAPACITOR, ELECTROLYTIC	1.0M SRA/SS50V M FM5 TP(5)	
		C360	0CH1104K512	O	O	CAPACITOR, FIXED CERAMIC(Temp.c	0.1UF 50V 10% B(5YP) 1608 R/TP	
		C361	0CH1223K942	O	O	CAPACITOR, CHIP CERAMIC M/L HD	0.022UF 50V Z Y5V(F) 1508 R/TP	
		C362	0CE1064F638	O	O	CAPACITOR, ELECTROLYTIC	10M SRA 16V M FM5 TP(5)	
		C363	0CH1103K512	O	O	CAPA, CHIP CERAMIC M/L H.D F/S	0.0100UF 50V K B 1608 R/TP	
		C364	0CE4764F638	O	O	CAPACITOR, ELECTROLYTIC	47M SRA/SS 16V M FM5 TP(5)	
		C365	0CE1064F638	O	O	CAPACITOR, ELECTROLYTIC	10M SRA 16V M FM5 TP(5)	
		C366	0CH1104K512	O	O	CAPACITOR, FIXED CERAMIC(Temp.c	0.1UF 50V 10% B(5YP) 1608 R/TP	
		C367	0CH1104K512	O	O	CAPACITOR, FIXED CERAMIC(Temp.c	0.1UF 50V 10% B(5YP) 1608 R/TP	
		C368	0CQ8224K409	O	O	CAPACITOR, FIXED FILM	0.0082UF TE 50V 5% PE TP5	
		C369	0CH4101K412	O	O	CHIP CAPA CERAMIC M/L T.C F/S	100P 50V J COG 1.6X0.8 R/TP	
		C370	0CH4820K416	O	O	CAPA, CHIP CERAMIC M/L T.C F/S	82P 50V J COG 2.0X1.2 R/TP	
		C371	0CH4820K416	O	O	CAPA, CHIP CERAMIC M/L T.C F/S	82P 50V J COG 2.0X1.2 R/TP	
		C372	0CH4820K416	O	O	CAPA, CHIP CERAMIC M/L T.C F/S	82P 50V J COG 2.0X1.2 R/TP	
		C373	0CH1104K512	O	O	CAPACITOR, FIXED CERAMIC(Temp.c	0.1UF 50V 10% B(5YP) 1608 R/TP	
		C375	0CH1102K512	O	O	CAPACITOR, FIXED CERAMIC(TEMP.C	1000PF 50V 10% B(5YP) 1608 R/T	
		C376	0CH1102K512	O	O	CAPACITOR, FIXED CERAMIC(TEMP.C	1000PF 50V 10% B(5YP) 1608 R/T	
		C500	0CE4775C638	O	O	CAPACITOR, FIXED ELECTROLYTIC	470UF SR,SV 6.3V 20% FM5 TP 5	

S	AL	LOCA.NO	PART NO(LG)	A	B	DESCRIPTION	SPECIFICATION	REMARKS
		C501	0CH1104K942	O	O	CAPACITOR,CHIP[CERAMIC M/L HD	0.1UF 50V Z Y5V(F) 1508 R/TP	
		C502	0CE4764F638	O	O	CAPACITOR,ELECTROLYTIC	47M SRA/SS 16V M FM5 TP(5)	
		C503	0CE2274C638	O	O	CAPACITOR,ELECTROLYTIC	220M SRA 6.3V M FM5 TP(5)	
		C504	0CE2274C638	O	O	CAPACITOR,ELECTROLYTIC	220M SRA 6.3V M FM5 TP(5)	
		C505	0CE4764F638	O	O	CAPACITOR,ELECTROLYTIC	47M SRA/SS 16V M FM5 TP(5)	
		C506	0CH1223K942	O	O	CAPACITOR,CHIP[CERAMIC M/L HD	0.022UF 50V Z Y5V(F) 1508 R/TP	
		C508	0CH1103K512	O	O	CAPA,CHIP CERAMIC M/L H.D F/S	0.0100UF 50V K B 1608 R/TP	
		C509	0CC2200K415	O	O	CAPACITOR,CERAMIC(TEMP COMP)	22P 50V J NP0 TS	
		C510	0CE2274C638	O	O	CAPACITOR,ELECTROLYTIC	220M SRA 6.3V M FM5 TP(5)	
		C511	0CH1104K942	O	O	CAPACITOR,CHIP[CERAMIC M/L HD	0.1UF 50V Z Y5V(F) 1508 R/TP	
		C512	0CH1102K512	O	O	CAPACITOR,FIXED CERAMIC(TEMP.C	1000PF 50V 10% B(5YP) 1608 R/T	
		C513	0CH1102K512	O	O	CAPACITOR,FIXED CERAMIC(TEMP.C	1000PF 50V 10% B(5YP) 1608 R/T	
		C514	0CC1200K415	O	O	CAPACITOR,FIXED CERAMIC(TEMP.C	12PF D 50V 5% TR NP0	
		C515	0CC1500K415	O	O	CAPACITOR,CERAMIC(TEMP COMP)	15P 50V J NP0 TS	
		C518	0CH1103K512	O	O	CAPA,CHIP CERAMIC M/L H.D F/S	0.0100UF 50V K B 1608 R/TP	
		C519	0CH1104K942	O	O	CAPACITOR,CHIP[CERAMIC M/L HD	0.1UF 50V Z Y5V(F) 1508 R/TP	
		C523	0CE2254K638	O	O	CAPACITOR,FIXED ELECTROLYTIC	2.2UF SRA,SS 50V 20% FM5 TP 5	
		C524	0CE4764F638	O	O	CAPACITOR,ELECTROLYTIC	47M SRA/SS 16V M FM5 TP(5)	
		C525	0CE2274C638	O	O	CAPACITOR,ELECTROLYTIC	220M SRA 6.3V M FM5 TP(5)	
		C526	0CE4764J638	O	O	CAPACITOR,AL.ELECTROLYTIC	47UF SRA,SS 35V M FM5 TP 5	
		C527	0CH4221K412	O	O	CAPACITOR,CHIP[CERAMIC M/L TC	220P 50V J COG 1.6X0.8 R/TP	
		C533	0CH1102K512	O	O	CAPACITOR,FIXED CERAMIC(TEMP.C	1000PF 50V 10% B(5YP) 1608 R/T	
		C534	0CE4754K638	O	O	CAPACITOR,FIXED ELECTROLYTIC	4.7UF SRA,SS 50V 20% FM5 TP 5	
		C535	0CE4754K638	O	O	CAPACITOR,FIXED ELECTROLYTIC	4.7UF SRA,SS 50V 20% FM5 TP 5	
		C543	0CH1222K512	O	O	CAPACITOR,CHIP[CERAMIC M/L HD	2200PF 50V K B 1608 R/TP	
		C544	0CH1473H942	O	O	CAPA,CHIP CERAMIC M/L H.D F/S	0.0470UF 25V Z Y5V(F) 1608 R/T	
		C545	0CH1333K562	O	O	CAPACITOR,CHIP[CERAMIC M/L HD	0.033UF 50V K X7R(X) 1508 R/TP	
		C546	0CE4764J638	O	O	CAPACITOR,AL.ELECTROLYTIC	47UF SRA,SS 35V M FM5 TP 5	
		C547	0CH1103K512	O	O	CAPA,CHIP CERAMIC M/L H.D F/S	0.0100UF 50V K B 1608 R/TP	
		C551	0CH1333K562	O	O	CAPACITOR,CHIP[CERAMIC M/L HD	0.033UF 50V K X7R(X) 1508 R/TP	
		C552	0CH1103K512	O	O	CAPA,CHIP CERAMIC M/L H.D F/S	0.0100UF 50V K B 1608 R/TP	
		C564	0CH1102K512	O	O	CAPACITOR,FIXED CERAMIC(TEMP.C	1000PF 50V 10% B(5YP) 1608 R/T	
		C567	0CH1102K512	O	O	CAPACITOR,FIXED CERAMIC(TEMP.C	1000PF 50V 10% B(5YP) 1608 R/T	
		C570	0CC1500K415	O	O	CAPACITOR,CERAMIC(TEMP COMP)	15P 50V J NP0 TS	
		C571	0CC1500K415	O	O	CAPACITOR,CERAMIC(TEMP COMP)	15P 50V J NP0 TS	
		C575	0CH1102K512	O	O	CAPACITOR,FIXED CERAMIC(TEMP.C	1000PF 50V 10% B(5YP) 1608 R/T	
		C576	0CC2700K415	O	O	CAPACITOR CERAMIC(TEMP COMP)	27P 50V J NP0 TP	
		C577	0CH1223K942	O	O	CAPACITOR,CHIP[CERAMIC M/L HD	0.022UF 50V Z Y5V(F) 1508 R/TP	
		C578	0CH1222K512	O	O	CAPACITOR,CHIP[CERAMIC M/L HD	2200PF 50V K B 1608 R/TP	
		C581	0CH1103K512	O	O	CAPA,CHIP CERAMIC M/L H.D F/S	0.0100UF 50V K B 1608 R/TP	
		C582	0CH1103K512	O	O	CAPA,CHIP CERAMIC M/L H.D F/S	0.0100UF 50V K B 1608 R/TP	
		C583	0CH1104K942	O	O	CAPACITOR,CHIP[CERAMIC M/L HD	0.1UF 50V Z Y5V(F) 1508 R/TP	
		C589	0CQ2232K409	O	O	CAPACITOR,FIXED FILM	0.022UF S 50V 5% PE TP5	
		C596	0CH1104K942	O	O	CAPACITOR,CHIP[CERAMIC M/L HD	0.1UF 50V Z Y5V(F) 1508 R/TP	
		C5A3	0CH1104K942	O	O	CAPACITOR,CHIP[CERAMIC M/L HD	0.1UF 50V Z Y5V(F) 1508 R/TP	
		C5A4	0CH1103K512	O	O	CAPA,CHIP CERAMIC M/L H.D F/S	0.0100UF 50V K B 1608 R/TP	
		C5A5	0CE1054K638	O	O	CAPACITOR,ELECTROLYTIC	1.0M SRA/SS50V M FM5 TP(5)	
		C5G2	0CE108CC638	O	O	CAPACITOR,FIXED ELECTROLYTIC	1000UF SHL,SD 6.3V 20% FM5 TP	
		C5P1	0CH1103K512	O	O	CAPA,CHIP CERAMIC M/L H.D F/S	0.0100UF 50V K B 1608 R/TP	
		C5P2	0CH1103K512	O	O	CAPA,CHIP CERAMIC M/L H.D F/S	0.0100UF 50V K B 1608 R/TP	
		C5R1	0CE3364F638	O	O	CAPACITOR,ELECTROLYTIC	33M SRA 16V M FM5 TP(5)	
		C5R2	0CH4681K412	O	O	CAPACITOR,FIXED CERAMIC(High d	680PF 50V 5% NP0 1608 R/TP	
		C5S1	0CH4430K416	O	O	CAPACITOR,FIXED CERAMIC(High d	43PF 50V J NP0 2012 R/TP	
		C5S3	0CH1223K942	O	O	CAPACITOR,CHIP[CERAMIC M/L HD	0.022UF 50V Z Y5V(F) 1508 R/TP	

S	AL	LOCA.NO	PART NO(LG)	A	B	DESCRIPTION	SPECIFICATION	REMARKS
		C701	0CE4754K638	O	O	CAPACITOR,FIXED ELECTROLYTIC	4.7UF SRA,SS 50V 20% FM5 TP 5	
		C703	0CE1064F638	O	O	CAPACITOR,ELECTROLYTIC	10M SRA 16V M FM5 TP(5)	
		C704	0CE4764F638	O	O	CAPACITOR,ELECTROLYTIC	47M SRA/SS 16V M FM5 TP(5)	
		C705	0CH1103K562	O	O	CAPACITOR,FIXED CERAMIC(Temp.c	0.01UF 50V 10% X7R(X) 1608 R/T	
		C706	0CH1103K562	O	O	CAPACITOR,FIXED CERAMIC(Temp.c	0.01UF 50V 10% X7R(X) 1608 R/T	
		C710	0CH4680K412	O	O	CAPACITOR,FIXED CERAMIC(HIGH D	68PF 50V 5% NP0 1608 R/TP	
		C711	0CH4330K412	O	O	CAPACITOR,CHIP[CERAMIC M/L TC	33P 50V J COG 1.6X0.8 R/TP	
		C713	0CE4776C638	O	O	CAPACITOR,AL.ELECTROLYTIC	470U SMS 6.3V M FM5 TP(5)	
		C714	0CH1103K562	O	O	CAPACITOR,FIXED CERAMIC(Temp.c	0.01UF 50V 10% X7R(X) 1608 R/T	
		C751	0CE4764F638		O	CAPACITOR,ELECTROLYTIC	47M SRA/SS 16V M FM5 TP(5)	
		C752	0CH1103K562		O	CAPACITOR,FIXED CERAMIC(Temp.c	0.01UF 50V 10% X7R(X) 1608 R/T	
		C753	0CH4560K412		O	CAPA,CHIP CERAMIC M/L T.C F/S	56P 50V J COG 1.6X0.8 R/TP	
		C754	0CH4560K412		O	CAPA,CHIP CERAMIC M/L T.C F/S	56P 50V J COG 1.6X0.8 R/TP	
		C755	0CE4764F638		O	CAPACITOR,ELECTROLYTIC	47M SRA/SS 16V M FM5 TP(5)	
		C756	0CH1103K562		O	CAPACITOR,FIXED CERAMIC(Temp.c	0.01UF 50V 10% X7R(X) 1608 R/T	
		C757	0CE4764F638		O	CAPACITOR,ELECTROLYTIC	47M SRA/SS 16V M FM5 TP(5)	
		C758	0CE1064F638		O	CAPACITOR,ELECTROLYTIC	10M SRA 16V M FM5 TP(5)	
		C759	0CE1064F638		O	CAPACITOR,ELECTROLYTIC	10M SRA 16V M FM5 TP(5)	
		C760	0CH1103K562		O	CAPACITOR,FIXED CERAMIC(Temp.c	0.01UF 50V 10% X7R(X) 1608 R/T	
		C761	0CH1103K562		O	CAPACITOR,FIXED CERAMIC(Temp.c	0.01UF 50V 10% X7R(X) 1608 R/T	
		C762	0CH1102K512		O	CAPACITOR,FIXED CERAMIC(TEMP.C	1000PF 50V 10% B(5YP) 1608 R/T	
		C764	0CH1392K562		O	CAPACITOR,FIXED CERAMIC(Temp.c	3900PF 50V K Z5U(E) 1608 R/TP	
		C765	0CH1392K562		O	CAPACITOR,FIXED CERAMIC(Temp.c	3900PF 50V K Z5U(E) 1608 R/TP	
		C766	0CE3354K638		O	CAPACITOR,FIXED ELECTROLYTIC	3.3UF SRA,SS 50V 20% FM5 TP 5	
		C769	0CE1064F638		O	CAPACITOR,ELECTROLYTIC	10M SRA 16V M FM5 TP(5)	
		C770	0CH1473F562	O	O	CAPACITOR,FIXED CERAMIC(Temp.c	47000PF 16V 10% X7R(X) 1608 R/	
		C771	0CH1103K562		O	CAPACITOR,FIXED CERAMIC(Temp.c	0.01UF 50V 10% X7R(X) 1608 R/T	
		C772	0CC0500K015		O	CAPACITOR,CERAMIC(TEMP COMP)	5P 50V C NP0 TR	
		C773	0CC0800K015		O	CAPACITOR CERAMIC(TEMP COMP)	8P 50V C NP0 TS	
		C790	0CH1103K562	O	O	CAPACITOR,FIXED CERAMIC(Temp.c	0.01UF 50V 10% X7R(X) 1608 R/T	
		C7S1	0CE3364F638	O	O	CAPACITOR,ELECTROLYTIC	33M SRA 16V M FM5 TP(5)	
		C801	0CH1104K512		O	CAPACITOR,FIXED CERAMIC(Temp.c	0.1UF 50V 10% B(5YP) 1608 R/TP	
		C805	0CH1104K512		O	CAPACITOR,FIXED CERAMIC(Temp.c	0.1UF 50V 10% B(5YP) 1608 R/TP	
		C806	0CE4754K638		O	CAPACITOR,FIXED ELECTROLYTIC	4.7UF SRA,SS 50V 20% FM5 TP 5	
		C807	0CE4754K638		O	CAPACITOR,FIXED ELECTROLYTIC	4.7UF SRA,SS 50V 20% FM5 TP 5	
		C808	0CH1104K512		O	CAPACITOR,FIXED CERAMIC(Temp.c	0.1UF 50V 10% B(5YP) 1608 R/TP	
		C809	0CH1104K512		O	CAPACITOR,FIXED CERAMIC(Temp.c	0.1UF 50V 10% B(5YP) 1608 R/TP	
		C810	0CE1064F638		O	CAPACITOR,ELECTROLYTIC	10M SRA 16V M FM5 TP(5)	
		C811	0CE1064F638		O	CAPACITOR,ELECTROLYTIC	10M SRA 16V M FM5 TP(5)	
		C813	0CE1064F638		O	CAPACITOR,ELECTROLYTIC	10M SRA 16V M FM5 TP(5)	
		C814	0CE1064F638		O	CAPACITOR,ELECTROLYTIC	10M SRA 16V M FM5 TP(5)	
		C817	0CE1064F638		O	CAPACITOR,ELECTROLYTIC	10M SRA 16V M FM5 TP(5)	
		C818	0CE4754K638		O	CAPACITOR,FIXED ELECTROLYTIC	4.7UF SRA,SS 50V 20% FM5 TP 5	
		C819	0CE1064F638		O	CAPACITOR,ELECTROLYTIC	10M SRA 16V M FM5 TP(5)	
		C820	0CQ6822K409		O	CAPACITOR,FIXED FILM	6800PF S 50V 5% PE TP5	
		C821	0CE4764F638		O	CAPACITOR,ELECTROLYTIC	47M SRA/SS 16V M FM5 TP(5)	
		C822	0CE1064F638		O	CAPACITOR,ELECTROLYTIC	10M SRA 16V M FM5 TP(5)	
		C823	0CE1064F638		O	CAPACITOR,ELECTROLYTIC	10M SRA 16V M FM5 TP(5)	
		C824	0CE1064F638		O	CAPACITOR,ELECTROLYTIC	10M SRA 16V M FM5 TP(5)	
		C825	0CE4764F638		O	CAPACITOR,ELECTROLYTIC	47M SRA/SS 16V M FM5 TP(5)	
		C826	0CQ6822K409		O	CAPACITOR,FIXED FILM	6800PF S 50V 5% PE TP5	
		C827	0CE1064F638		O	CAPACITOR,ELECTROLYTIC	10M SRA 16V M FM5 TP(5)	
		C828	0CE4764F638		O	CAPACITOR,ELECTROLYTIC	47M SRA/SS 16V M FM5 TP(5)	
		C829	0CH1103K512		O	CAPA,CHIP CERAMIC M/L H.D F/S	0.0100UF 50V K B 1608 R/TP	

S	AL	LOCA.NO	PART NO(LG)	A	B	DESCRIPTION	SPECIFICATION	REMARKS
		C830	0CH1104K512		O	CAPACITOR,FIXED CERAMIC(Temp.c	0.1UF 50V 10% B(5YP) 1608 R/TP	
		C831	0CH1103K512		O	CAPA,CHIP CERAMIC M/L H.D F/S	0.0100UF 50V K B 1608 R/TP	
		C832	0CE4764F638		O	CAPACITOR,ELECTROLYTIC	47M SRA/SS 16V M FM5 TP(5)	
		C835	0CE4744K638		O	CAPACITOR,ELECTROLYTIC	0.47M SRA 50V M FM5 TP(5)	
		C901	0CH1102K512	O	O	CAPACITOR,FIXED CERAMIC(TEMP.C	1000PF 50V 10% B(5YP) 1608 R/T	
		C902	0CE477CF638	O	O	CAPACITOR,AL.ELECTROLYTIC	470UF SHL TYPE 16V M FM5 TP 5	
		C903	0CH1102K512	O	O	CAPACITOR,FIXED CERAMIC(TEMP.C	1000PF 50V 10% B(5YP) 1608 R/T	
		C904	0CH1102K512	O	O	CAPACITOR,FIXED CERAMIC(TEMP.C	1000PF 50V 10% B(5YP) 1608 R/T	
		C908	0CH1102K512	O	O	CAPACITOR,FIXED CERAMIC(TEMP.C	1000PF 50V 10% B(5YP) 1608 R/T	
		C909	0CH1104K512	O	O	CAPACITOR,FIXED CERAMIC(Temp.c	0.1UF 50V 10% B(5YP) 1608 R/TP	
		C912	0CE477CF638	O	O	CAPACITOR,AL.ELECTROLYTIC	470UF SHL TYPE 16V M FM5 TP 5	
		C915	0CH1104K512	O	O	CAPACITOR,FIXED CERAMIC(Temp.c	0.1UF 50V 10% B(5YP) 1608 R/TP	
		C917	0CH4270K412	O	O	CAPACITOR,CHIP[CERAMIC M/L TC	27PF 50V J NP0 1608 R/TP	
		C920	0CH1104K512	O	O	CAPACITOR,FIXED CERAMIC(Temp.c	0.1UF 50V 10% B(5YP) 1608 R/TP	
		C921	0CH1104K512	O	O	CAPACITOR,FIXED CERAMIC(Temp.c	0.1UF 50V 10% B(5YP) 1608 R/TP	
		C957	0CH4270K412	O	O	CAPACITOR,CHIP[CERAMIC M/L TC	27PF 50V J NP0 1608 R/TP	
		C960	0CH1104K512	O	O	CAPACITOR,FIXED CERAMIC(Temp.c	0.1UF 50V 10% B(5YP) 1608 R/TP	
		C961	0CE1064F638	O	O	CAPACITOR,ELECTROLYTIC	10M SRA 16V M FM5 TP(5)	
		C962	0CE1064F638	O	O	CAPACITOR,ELECTROLYTIC	10M SRA 16V M FM5 TP(5)	
		C963	0CE1064F638	O	O	CAPACITOR,ELECTROLYTIC	10M SRA 16V M FM5 TP(5)	
		C9C1	0CE4754K638	O		CAPACITOR,FIXED ELECTROLYTIC	4.7UF SRA,SS 50V 20% FM5 TP 5	
		C9C2	0CE4754K638	O		CAPACITOR,FIXED ELECTROLYTIC	4.7UF SRA,SS 50V 20% FM5 TP 5	
		C9F1	0CH1102K512	O	O	CAPACITOR,FIXED CERAMIC(TEMP.C	1000PF 50V 10% B(5YP) 1608 R/T	
		C9F2	0CH1102K512	O	O	CAPACITOR,FIXED CERAMIC(TEMP.C	1000PF 50V 10% B(5YP) 1608 R/T	
		C9F3	0CH1104K512	O	O	CAPACITOR,FIXED CERAMIC(Temp.c	0.1UF 50V 10% B(5YP) 1608 R/TP	
		C9F4	0CH1104K512	O	O	CAPACITOR,FIXED CERAMIC(Temp.c	0.1UF 50V 10% B(5YP) 1608 R/TP	
		C9F5	0CH1104K512	O	O	CAPACITOR,FIXED CERAMIC(Temp.c	0.1UF 50V 10% B(5YP) 1608 R/TP	
		C9M1	0CH1104K512	O		CAPACITOR,FIXED CERAMIC(Temp.c	0.1UF 50V 10% B(5YP) 1608 R/TP	
		C9M3	0CH1104K512	O		CAPACITOR,FIXED CERAMIC(Temp.c	0.1UF 50V 10% B(5YP) 1608 R/TP	
		C9M4	0CH1104K512	O		CAPACITOR,FIXED CERAMIC(Temp.c	0.1UF 50V 10% B(5YP) 1608 R/TP	
		C9M5	0CH1104K512	O		CAPACITOR,FIXED CERAMIC(Temp.c	0.1UF 50V 10% B(5YP) 1608 R/TP	
		C9M6	0CE1064F638	O		CAPACITOR,ELECTROLYTIC	10M SRA 16V M FM5 TP(5)	
		C9M7	0CE1064F638	O		CAPACITOR,ELECTROLYTIC	10M SRA 16V M FM5 TP(5)	
		C9M8	0CH1104K512	O		CAPACITOR,FIXED CERAMIC(Temp.c	0.1UF 50V 10% B(5YP) 1608 R/TP	
		C9M9	0CH1104K512	O		CAPACITOR,FIXED CERAMIC(Temp.c	0.1UF 50V 10% B(5YP) 1608 R/TP	
		CS501	6600M000026	O	O	SWITCH,PUSH	MPU12970MLB0 VCR CST IN S/W MI	
		D102	0DD010009CA	O	O	DIODE,RECTIFIERS	EG01C TP SANKEN - - - - -	
		D103	0DR180209AA	O	O	DIODE,RECTIFIERS	ERA18-02KFRB TP FUJI DO204AL 2	
		D104	0DD133009AA	O	O	DIODE,SWITCHING	1SS133 DETECT,SW TP	
		D105	0DR104009BA	O	O	DIODE,RECTIFIERS	RL104F TP RECTRON - 400V 1A 30	
		D106	0DR158220AA	O	O	DIODE,RECTIFIERS	1N5822 BK RECTRON DO201AD 40V	
		D109	0DR202000AB	O	O	DIODE,RECTIFIERS	HER202 BK RECTRON - 100V 2A 60	
		D110	0DR104009BA	O	O	DIODE,RECTIFIERS	RL104F TP RECTRON - 400V 1A 30	
		D154	874-000T	O	O	WIRE,JUMP	D=0.6 ROLL	
		D155	0DD207000AB	O	O	DIODE,RECTIFIERS	2A07 2A RECT(T/S)P=12.5 F DELT	
		D156	0DD133009AA	O	O	DIODE,SWITCHING	1SS133 DETECT,SW TP	
		D159	0DD133009AA	O	O	DIODE,SWITCHING	1SS133 DETECT,SW TP	
		D160	0DD133009AA	O	O	DIODE,SWITCHING	1SS133 DETECT,SW TP	
		D301	0DD133009AA	O	O	DIODE,SWITCHING	1SS133 DETECT,SW TP	
		D502	0DD133009AA	O	O	DIODE,SWITCHING	1SS133 DETECT,SW TP	
		D509	0DD133009AA	O	O	DIODE,SWITCHING	1SS133 DETECT,SW TP	
		D902	0DD133009AA	O	O	DIODE,SWITCHING	1SS133 DETECT,SW TP	
		D9M1	0DD133009AA	O	O	DIODE,SWITCHING	1SS133 DETECT,SW TP	
		D9M2	0DD133009AA	O	O	DIODE,SWITCHING	1SS133 DETECT,SW TP	

S	AL	LOCA.NO	PART NO(LG)	A	B	DESCRIPTION	SPECIFICATION	REMARKS
		ES501	4931R-0078C	O	O	HOLDER ASSEMBLY	VCR DECK/MECHA END(S)	
		ES502	4931R-0078C	O	O	HOLDER ASSEMBLY	VCR DECK/MECHA END(S)	
△		F101	0FS1601B51D	O	O	FUSE,SLOW BLOW	1600MA 250 V 5.2X20 CY/GL KS/J	
		F102	GIRH200000B	O	O	IC,ROHM	ICP-N20 T104 TP IC DETACT	
		FH01	586-008B	O	O	HOLDER	FUSE CLIP TP SINSUNG	
		FH02	586-008B	O	O	HOLDER	FUSE CLIP TP SINSUNG	
△		IC101	0IPMGSK003A	O	O	IC,POWER MANAGEMENT	STR-A6351 SANKEN 8 DIP ST SMPS	
△		IC102	657-063A	O	O	SENSOR	LTV-817B,PHOTO COUPLER(LITEON)	
		IC103	0IKE431000A	O	O	IC,KEC	KIA431 3 PIN TP	
		IC201	0ILNRSA007A	O	O	IC,LINEAR	LA70100M SANYO 30 SOP ST SECAM	
		IC301	0ILNRSA005B	O	O	IC,LINEAR	LA71750EM SANYO 100PIN QFP TRA	
		IC501	0IMCRHI036A	O	O	IC,MICRO CONTROLLER	HD643219SA38F HITACHI 112PIN Q	
		IC503	0ICS241600B	O	O	IC,CATALYST	CAT24WC16P 8P DIP ST 16K SERIA	
		IC504	0IKE703100A	O	O	IC,KEC	KIA7031P 3P 3.1V RESET(TAPING)	
		IC505	0IKE704200B	O	O	IC,KEC	KIA7042P 3P 4.2V RESET(TAPING)	
		IC751	0IIT341700C		O	IC,ITT	MSP3417G-QG-B8-V3 44 QFP TRAY	
		IC801	0IPH960500A		O	IC,PHILIPS	TDA9605H QFP44 BK HIFI AMP+HIF	
		IC901	0IPRPMT007A	O		IC,PERIPHERALS	MM1231XF MITSUMI 16PIN SOP ST	
		JK901	6612M00006A	O	O	JACK,SCART	DSAM-0341 DOOWON	
		JK9F3	6612J00053A		O	JACK,RCA	DPAE-0385 DOOWON RGB 2004 CO	
		L101	636-004C	O	O	FILTER(CIRC),EMC	BEAD CORE BFS3550R2FD8,R T/P	
△		L102	6200JB8012B	O	O	FILTER(CIRC),EMC	SQ2116 FEELUX BK 25MH	
		L103	6140R-C011A	O	O	COIL,RF	CHOKO COIL TDK 22UH(=633-088G	
		L104	6140R-C011A	O	O	COIL,RF	CHOKO COIL TDK 22UH(=633-088G	
		L201	0LR1000K035	O	O	INDUCTOR RADIAL LEAD	100M K 6X6 L5 TP	
		L301	0LR0102J0N5	O	O	INDUCTOR,RADIAL LEAD	10UH 5% TP 3X5 TR5	
		L302	0LR1000K035	O	O	INDUCTOR RADIAL LEAD	100M K 6X6 L5 TP	
		L303	0LR0102J0N5	O	O	INDUCTOR,RADIAL LEAD	10UH 5% TP 3X5 TR5	
		L304	0LR0102J0N5	O	O	INDUCTOR,RADIAL LEAD	10UH 5% TP 3X5 TR5	
		L305	0LR1000K035	O	O	INDUCTOR RADIAL LEAD	100M K 6X6 L5 TP	
		L307	0LR0102J0N5	O	O	INDUCTOR,RADIAL LEAD	10UH 5% TP 3X5 TR5	
		L308	0LR1000K035	O	O	INDUCTOR RADIAL LEAD	100M K 6X6 L5 TP	
		L501	0LA0122K018	O	O	INDUCTOR AXIAL LEAD	12M K 2.3X3.4 L5 TP	
		L503	0LR1000K035	O	O	INDUCTOR RADIAL LEAD	100M K 6X6 L5 TP	
		L504	0LR0102J0N5	O	O	INDUCTOR,RADIAL LEAD	10UH 5% TP 3X5 TR5	
		L506	635-027C	O	O	INDUCTOR,RADIAL LEAD	EL0405RA SKI150G-3 K-TDK 15UH	
		L5G2	0LR1500K035	O	O	INDUCTOR RADIAL LEAD	150M K 6X6 L5 TP	
		L5S1	0LA0332K018	O	O	INDUCTOR AXIAL LEAD	33M K 2.3X3.4 L5 TP	
		L702	0LR1000K035	O	O	INDUCTOR RADIAL LEAD	100M K 6X6 L5 TP	
		L704	874-000T	O	O	WIRE,JUMP	D=0.6 ROLL	
		L705	0LR0102K035	O	O	INDUCTOR RADIAL LEAD	10M K 6X6 L5 TP	
		L706	636-004C	O	O	FILTER(CIRC),EMC	BEAD CORE BFS3550R2FD8,R T/P	
		L751	0LR0102K035		O	INDUCTOR RADIAL LEAD	10M K 6X6 L5 TP	
		L753	0LR0102K035		O	INDUCTOR RADIAL LEAD	10M K 6X6 L5 TP	
		L801	0LR0102J0N5		O	INDUCTOR,RADIAL LEAD	10UH 5% TP 3X5 TR5	
		L802	0LR0102J0N5		O	INDUCTOR,RADIAL LEAD	10UH 5% TP 3X5 TR5	
		L901	0LA1000K018	O	O	INDUCTOR AXIAL LEAD	100M K 2.3X3.4 L5 TP	
		L902	0LA1000K018	O	O	INDUCTOR AXIAL LEAD	100M K 2.3X3.4 L5 TP	
		L903	874-000T	O	O	WIRE,JUMP	D=0.6 ROLL	
		L904	0LA1000K018	O	O	INDUCTOR AXIAL LEAD	100M K 2.3X3.4 L5 TP	
		L905	636-004C	O	O	FILTER(CIRC),EMC	BEAD CORE BFS3550R2FD8,R T/P	
		L906	0LA1000K018	O	O	INDUCTOR AXIAL LEAD	100M K 2.3X3.4 L5 TP	
		L907	636-004C	O	O	FILTER(CIRC),EMC	BEAD CORE BFS3550R2FD8,R T/P	
		L911	0LA1000K018	O	O	INDUCTOR AXIAL LEAD	100M K 2.3X3.4 L5 TP	

S	AL	LOCA.NO	PART NO(LG)	A	B	DESCRIPTION	SPECIFICATION	REMARKS
		L912	0LA1000K018	O	O	INDUCTOR AXIAL LEAD	100M K 2.3X3.4 L5 TP	
		L913	874-000T	O	O	WIRE,JUMP	D=0.6 ROLL	
		L914	0LA1000K018	O	O	INDUCTOR AXIAL LEAD	100M K 2.3X3.4 L5 TP	
		L915	0LA1000K018	O	O	INDUCTOR AXIAL LEAD	100M K 2.3X3.4 L5 TP	
		L9F1	0LA1000K018		O	INDUCTOR AXIAL LEAD	100M K 2.3X3.4 L5 TP	
		L9F2	0LA1000K018		O	INDUCTOR AXIAL LEAD	100M K 2.3X3.4 L5 TP	
		LD501	4931R-0086C	O	O	HOLDER ASSEMBLY	VCR DECK/MECHA END(S)	
		LED502	6301R2U001A	O	O	LED ASSY	TOH-30M05G1 OASIS UNIVERSAL 6	
		MS501	6600JR3002C	O	O	SWITCH,MODE	MMS01180ZMBO MIC 5VDC 1MA D37	
		Q151	0TR127309AA	O	O	TRANSISTOR	KTA1273-TP-Y (KTA966A)KEC	
		Q152	0TR127309AA	O	O	TRANSISTOR	KTA1273-TP-Y (KTA966A)KEC	
		Q154	0TR126809BA	O	O	TRANSISTOR,BIPOLARS	KTA1268-BL TP KEC	
		Q155	0TR320509AB	O	O	TRANSISTOR	KTC3205-TP-Y (KTC2236A)KEC	
		Q157	0TR103009AA	O	O	TRANSISTOR	CHIP KRC103S-T1(NC)22-22 KEC	
		Q159	0TR127309AA	O	O	TRANSISTOR	KTA1273-TP-Y (KTA966A)KEC	
		Q161	0TR387509AC	O	O	TRANSISTOR	CHIP KTC3875S-GR-T1(ALG) KEC	
		Q162	0TR387509AC	O	O	TRANSISTOR	CHIP KTC3875S-GR-T1(ALG) KEC	
		Q163	0TR101009AC	O	O	TRANSISTOR	KRC101S-T1(NA)4.7-4.7 CHIP KEC	
		Q164	0TR103009AA	O	O	TRANSISTOR	CHIP KRC103S-T1(NC)22-22 KEC	
		Q165	0TR103009AC	O	O	TRANSISTOR	KRA103S-T1(PC)22-22 CHIP KEC	
		Q166	0TR127309AA	O	O	TRANSISTOR	KTA1273-TP-Y (KTA966A)KEC	
		Q301	0TR387509AC	O	O	TRANSISTOR	CHIP KTC3875S-GR-T1(ALG) KEC	
		Q302	0TR126709AC	O	O	TRANSISTOR	KTA1267-GR MINI TP KEC	
		Q303	0TR387509AC	O	O	TRANSISTOR	CHIP KTC3875S-GR-T1(ALG) KEC	
		Q304	0TR387509AC	O	O	TRANSISTOR	CHIP KTC3875S-GR-T1(ALG) KEC	
		Q305	0TR150409AC	O	O	TRANSISTOR	KTA1504-GR-T1(ASG) CHIP KEC	
		Q306	0TR534409AA	O	O	TRANSISTOR	2SC5344Y TP	
		Q307	0TR150409AC	O	O	TRANSISTOR	KTA1504-GR-T1(ASG) CHIP KEC	
		Q308	0TR150409AC	O	O	TRANSISTOR	KTA1504-GR-T1(ASG) CHIP KEC	
		Q309	0TR150409AC	O	O	TRANSISTOR	KTA1504-GR-T1(ASG) CHIP KEC	
		Q311	0TR320509AB	O	O	TRANSISTOR	KTC3205-TP-Y (KTC2236A)KEC	
		Q502	0TR387509AC	O	O	TRANSISTOR	CHIP KTC3875S-GR-T1(ALG) KEC	
		Q503	0TR127309AA	O	O	TRANSISTOR	KTA1273-TP-Y (KTA966A)KEC	
		Q504	0TR387509AC	O	O	TRANSISTOR	CHIP KTC3875S-GR-T1(ALG) KEC	
		Q5P1	0TR103009AA	O	O	TRANSISTOR	CHIP KRC103S-T1(NC)22-22 KEC	
		Q5P2	0TR103009AA	O	O	TRANSISTOR	CHIP KRC103S-T1(NC)22-22 KEC	
		Q5P3	0TR103009AA	O	O	TRANSISTOR	CHIP KRC103S-T1(NC)22-22 KEC	
		Q5P4	0TR103009AA	O	O	TRANSISTOR	CHIP KRC103S-T1(NC)22-22 KEC	
		Q5P5	0TR103009AA	O	O	TRANSISTOR	CHIP KRC103S-T1(NC)22-22 KEC	
		Q5P6	0TR103009AA	O	O	TRANSISTOR	CHIP KRC103S-T1(NC)22-22 KEC	
		Q5S1	0TR387509AC	O	O	TRANSISTOR	CHIP KTC3875S-GR-T1(ALG) KEC	
		Q7S1	0TR387500AA	O	O	TRANSISTOR	CHIP 2SC3875S(ALY) KEC	
		Q7S2	0TR103009AA	O	O	TRANSISTOR	CHIP KRC103S-T1(NC)22-22 KEC	
		Q901	0TR103009AA	O	O	TRANSISTOR	CHIP KRC103S-T1(NC)22-22 KEC	
		Q902	0TR103009AC	O	O	TRANSISTOR	KRA103S-T1(PC)22-22 CHIP KEC	
		Q903	0TR103009AA	O	O	TRANSISTOR	CHIP KRC103S-T1(NC)22-22 KEC	
		Q9M1	0TR387509AC	O	O	TRANSISTOR	CHIP KTC3875S-GR-T1(ALG) KEC	
		Q9M2	0TR387509AC	O	O	TRANSISTOR	CHIP KTC3875S-GR-T1(ALG) KEC	
		R101	614-007A	O	O	RESISTOR	2.7/2W CEMENT SMPS V	
		R102	0RD1803F608	O	O	RESISTOR,FIXED CARBON FILM	180K OHM 1/6 W 0.05 TA26	
		R103	0RD0682F608	O	O	RESISTOR,FIXED CARBON FILM	68 OHM 1/6 W 5.00% TA26	
		R104	0RS5602K619	O	O	RESISTOR,FIXED METAL OXIDE FIL	56K OHM 2 W 5.00% TR	
		R105	0RF0101A619	O	O	RESISTOR,DRAWING	1 OHM 1/2 W(7.0) 5.00% TR	
		R106	0RD1803F608	O	O	RESISTOR,FIXED CARBON FILM	180K OHM 1/6 W 0.05 TA26	

S	AL	LOCA.NO	PART NO(LG)	A	B	DESCRIPTION	SPECIFICATION	REMARKS
		R109	0RS0350K619	O	O	RESISTOR, FIXED METAL OXIDE FIL	0.35 OHM 2 W 5.00% TR	
		R112	0RH1003C622	O	O	RESISTOR, METAL GLAZED(CHIP)	100K OHM 1 / 16 W 1608 5.00% D	
		R116	0RH2200C622	O	O	RESISTOR, METAL GLAZED(CHIP)	220 OHM 1 / 16 W 1608 5.00% D	
		R117	0RH2201C622	O	O	RESISTOR, METAL GLAZED(CHIP)	2.2K OHM 1 / 16 W 1608 5.00% D	
		R118	0RH1001C622	O	O	RESISTOR, METAL GLAZED(CHIP)	1K OHM 1 / 16 W 1608 5.00% D	
		R119	0RN3301F408	O	O	RESISTOR, FIXED METAL FILM	3.3K OHM 1/6 W 1% TA26	
		R120	0RN3001F408	O	O	RESISTOR, FIXED METAL FILM	3K OHM 1/6 W 1% TA26	
		R122	0RH1003C622	O	O	RESISTOR, METAL GLAZED(CHIP)	100K OHM 1 / 16 W 1608 5.00% D	
		R125	0RD4701F608	O	O	RESISTOR, FIXED CARBON FILM	4.7K OHM 1/6 W 5% TA26	
		R126	0RD6800F608	O	O	RESISTOR, FIXED CARBON FILM	680 OHM 1/6 W 5% TA26	
		R151	0RH1001C622	O	O	RESISTOR, METAL GLAZED(CHIP)	1K OHM 1 / 16 W 1608 5.00% D	
		R152	0RH3300C622	O	O	RESISTOR, METAL GLAZED(CHIP)	330 OHM 1 / 16 W 1608 5.00% D	
		R153	0RH1001C622	O	O	RESISTOR, METAL GLAZED(CHIP)	1K OHM 1 / 16 W 1608 5.00% D	
		R154	0RH3300C622	O	O	RESISTOR, METAL GLAZED(CHIP)	330 OHM 1 / 16 W 1608 5.00% D	
		R155	0RH3301C622	O	O	RESISTOR, METAL GLAZED(CHIP)	3.3K OHM 1 / 16 W 1608 5.00% D	
		R157	0RH1001C622	O	O	RESISTOR, METAL GLAZED(CHIP)	1K OHM 1 / 16 W 1608 5.00% D	
		R158	0RH1802C622	O	O	RESISTOR, METAL GLAZED(CHIP)	18K OHM 1 / 16 W 1608 5.00% D	
		R159	0RH4700C422	O	O	RESISTOR, METAL GLAZED(CHIP)	470 OHM 1 / 16 W 1608 1.00% D	
		R161	0RH4701C622	O	O	RESISTOR, METAL GLAZED(CHIP)	4.7K OHM 1 / 16 W 1608 5.00% D	
		R163	0RH4701C622	O	O	RESISTOR, METAL GLAZED(CHIP)	4.7K OHM 1 / 16 W 1608 5.00% D	
		R166	0RH2201C622	O	O	RESISTOR, METAL GLAZED(CHIP)	2.2K OHM 1 / 16 W 1608 5.00% D	
		R167	0RH3901C622	O	O	RESISTOR, METAL GLAZED(CHIP)	3.9K OHM 1 / 16 W 1608 5.00% D	
		R170	0RH5601C622	O	O	RESISTOR, METAL GLAZED(CHIP)	5.6K OHM 1 / 16 W 1608 5.00% D	
		R172	0RH2700C622	O	O	RESISTOR, METAL GLAZED(CHIP)	270 OHM 1 / 16 W 1608 5.00% D	
		R173	0RH2700C622	O	O	RESISTOR, METAL GLAZED(CHIP)	270 OHM 1 / 16 W 1608 5.00% D	
		R1B1	0RD1504H632	O	O	RESISTOR, FIXED CARBON FILM	1.5M OHM 1/2 W 5.00% MF10	
		R1W1	0RH0000C622	O	O	RESISTOR, METAL GLAZED(CHIP)	0 OHM 1 / 16 W 1608 5.00% D	
		R201	0RH1001C622	O	O	RESISTOR, METAL GLAZED(CHIP)	1K OHM 1 / 16 W 1608 5.00% D	
		R204	0RH4702C622	O	O	RESISTOR, METAL GLAZED(CHIP)	47K OHM 1 / 16 W 1608 5.00% D	
		R301	0RH5602C622	O	O	RESISTOR, METAL GLAZED(CHIP)	56K OHM 1 / 16 W 1608 5.00% D	
		R303	0RH1802C622	O	O	RESISTOR, METAL GLAZED(CHIP)	18K OHM 1 / 16 W 1608 5.00% D	
		R304	0RH1002C622	O	O	RESISTOR, METAL GLAZED(CHIP)	10K OHM 1 / 16 W 1608 5.00% D	
		R305	0RH1002C622	O	O	RESISTOR, METAL GLAZED(CHIP)	10K OHM 1 / 16 W 1608 5.00% D	
		R306	0RH5601C622	O	O	RESISTOR, METAL GLAZED(CHIP)	5.6K OHM 1 / 16 W 1608 5.00% D	
		R307	0RH2201C622	O	O	RESISTOR, METAL GLAZED(CHIP)	2.2K OHM 1 / 16 W 1608 5.00% D	
		R308	0RH4701C622	O	O	RESISTOR, METAL GLAZED(CHIP)	4.7K OHM 1 / 16 W 1608 5.00% D	
		R309	0RH1001C622	O	O	RESISTOR, METAL GLAZED(CHIP)	1K OHM 1 / 16 W 1608 5.00% D	
		R310	0RH4701C622	O	O	RESISTOR, METAL GLAZED(CHIP)	4.7K OHM 1 / 16 W 1608 5.00% D	
		R311	0RH1001C622	O	O	RESISTOR, METAL GLAZED(CHIP)	1K OHM 1 / 16 W 1608 5.00% D	
		R312	0RH6802C622	O	O	RESISTOR, METAL GLAZED(CHIP)	68K OHM 1 / 16 W 1608 5.00% D	
		R313	0RH1800C622	O	O	RESISTOR, METAL GLAZED(CHIP)	180 OHM 1 / 16 W 1608 5.00% D	
		R314	0RH1002C622	O	O	RESISTOR, METAL GLAZED(CHIP)	10K OHM 1 / 16 W 1608 5.00% D	
		R315	0RH1000C622	O	O	RESISTOR, METAL GLAZED(CHIP)	100 OHM 1 / 16 W 1608 5.00% D	
		R316	0RH1000C622	O	O	RESISTOR, METAL GLAZED(CHIP)	100 OHM 1 / 16 W 1608 5.00% D	
		R317	0RH5601C622	O	O	RESISTOR, METAL GLAZED(CHIP)	5.6K OHM 1 / 16 W 1608 5.00% D	
		R318	0RH3901C622	O	O	RESISTOR, METAL GLAZED(CHIP)	3.9K OHM 1 / 16 W 1608 5.00% D	
		R319	0RH5600C622	O	O	RESISTOR, METAL GLAZED(CHIP)	560 OHM 1 / 16 W 1608 5.00% D	
		R320	0RH1500C622	O	O	RESISTOR, METAL GLAZED(CHIP)	150 OHM 1 / 16 W 1608 5.00% D	
		R321	0RH1201C622	O	O	RESISTOR, METAL GLAZED(CHIP)	1.2K OHM 1 / 16 W 1608 5.00% D	
		R322	0RH1001C622	O	O	RESISTOR, METAL GLAZED(CHIP)	1K OHM 1 / 16 W 1608 5.00% D	
		R324	0RH3303C622	O	O	RESISTOR, METAL GLAZED(CHIP)	330K OHM 1 / 16 W 1608 5.00% D	
		R325	0RH4700C622	O	O	RESISTOR, METAL GLAZED(CHIP)	470 OHM 1 / 16 W 1608 5.00% D	
		R326	0RH1202C622	O	O	RESISTOR, METAL GLAZED(CHIP)	12K OHM 1 / 16 W 1608 5.00% D	
		R327	0RH5601C622	O	O	RESISTOR, METAL GLAZED(CHIP)	5.6K OHM 1 / 16 W 1608 5.00% D	

S	AL	LOCA.NO	PART NO(LG)	A	B	DESCRIPTION	SPECIFICATION	REMARKS
		R328	0RH2700C622	O	O	RESISTOR,METAL GLAZED(CHIP)	270 OHM 1 / 16 W 1608 5.00% D	
		R329	0RH1202C622	O	O	RESISTOR,METAL GLAZED(CHIP)	12K OHM 1 / 16 W 1608 5.00% D	
		R330	0RH1002C622	O	O	RESISTOR,METAL GLAZED(CHIP)	10K OHM 1 / 16 W 1608 5.00% D	
		R331	0RH4701C622	O	O	RESISTOR,METAL GLAZED(CHIP)	4.7K OHM 1 / 16 W 1608 5.00% D	
		R334	0RH2701C622	O	O	RESISTOR,METAL GLAZED(CHIP)	2.7K OHM 1 / 16 W 1608 5.00% D	
		R335	0RH6801C622	O	O	RESISTOR,METAL GLAZED(CHIP)	6.8K OHM 1 / 16 W 1608 5.00% D	
		R336	0RH1003C622	O	O	RESISTOR,METAL GLAZED(CHIP)	100K OHM 1 / 16 W 1608 5.00% D	
		R337	0RH1801C622	O	O	RESISTOR,METAL GLAZED(CHIP)	1.8K OHM 1 / 16 W 1608 5.00% D	
		R338	0RH2700C622	O	O	RESISTOR,METAL GLAZED(CHIP)	270 OHM 1 / 16 W 1608 5.00% D	
		R339	0RH5600C622	O	O	RESISTOR,METAL GLAZED(CHIP)	560 OHM 1 / 16 W 1608 5.00% D	
		R340	0RH1802C622	O	O	RESISTOR,METAL GLAZED(CHIP)	18K OHM 1 / 16 W 1608 5.00% D	
		R342	0RH5600C622	O	O	RESISTOR,METAL GLAZED(CHIP)	560 OHM 1 / 16 W 1608 5.00% D	
		R343	0RH0752C622	O	O	RESISTOR,METAL GLAZED(CHIP)	75 OHM 1 / 16 W 1608 5.00% D	
		R344	0RH4700C622	O	O	RESISTOR,METAL GLAZED(CHIP)	470 OHM 1 / 16 W 1608 5.00% D	
		R345	0RH4700C622	O	O	RESISTOR,METAL GLAZED(CHIP)	470 OHM 1 / 16 W 1608 5.00% D	
		R346	0RH1000C622	O	O	RESISTOR,METAL GLAZED(CHIP)	100 OHM 1 / 16 W 1608 5.00% D	
		R347	0RH1000C622	O	O	RESISTOR,METAL GLAZED(CHIP)	100 OHM 1 / 16 W 1608 5.00% D	
		R349	0RH1801C622	O	O	RESISTOR,METAL GLAZED(CHIP)	1.8K OHM 1 / 16 W 1608 5.00% D	
		R350	0RH1002C622	O	O	RESISTOR,METAL GLAZED(CHIP)	10K OHM 1 / 16 W 1608 5.00% D	
		R351	0RH8203C622	O	O	RESISTOR,METAL GLAZED(CHIP)	820K OHM 1 / 16 W 1608 5.00% D	
		R352	0RH1001C622	O	O	RESISTOR,METAL GLAZED(CHIP)	1K OHM 1 / 16 W 1608 5.00% D	
		R3A1	0RH1002C622	O	O	RESISTOR,METAL GLAZED(CHIP)	10K OHM 1 / 16 W 1608 5.00% D	
		R3W1	0RH0000C622	O	O	RESISTOR,METAL GLAZED(CHIP)	0 OHM 1 / 16 W 1608 5.00% D	
		R3W3	0RH0000C622	O	O	RESISTOR,METAL GLAZED(CHIP)	0 OHM 1 / 16 W 1608 5.00% D	
		R501	0RH1000C622	O	O	RESISTOR,METAL GLAZED(CHIP)	100 OHM 1 / 16 W 1608 5.00% D	
		R502	0RH1000C622	O	O	RESISTOR,METAL GLAZED(CHIP)	100 OHM 1 / 16 W 1608 5.00% D	
		R503	0RH4701C622	O	O	RESISTOR,METAL GLAZED(CHIP)	4.7K OHM 1 / 16 W 1608 5.00% D	
		R505	0RH1001C622	O	O	RESISTOR,METAL GLAZED(CHIP)	1K OHM 1 / 16 W 1608 5.00% D	
		R506	0RH1002C622	O	O	RESISTOR,METAL GLAZED(CHIP)	10K OHM 1 / 16 W 1608 5.00% D	
		R507	0RH1002C622	O	O	RESISTOR,METAL GLAZED(CHIP)	10K OHM 1 / 16 W 1608 5.00% D	
		R508	0RH4701C622	O	O	RESISTOR,METAL GLAZED(CHIP)	4.7K OHM 1 / 16 W 1608 5.00% D	
		R509	0RH2201C622	O	O	RESISTOR,METAL GLAZED(CHIP)	2.2K OHM 1 / 16 W 1608 5.00% D	
		R510	0RH4701C622	O	O	RESISTOR,METAL GLAZED(CHIP)	4.7K OHM 1 / 16 W 1608 5.00% D	
		R511	0RH1001C622	O	O	RESISTOR,METAL GLAZED(CHIP)	1K OHM 1 / 16 W 1608 5.00% D	
		R512	0RH1001C622	O	O	RESISTOR,METAL GLAZED(CHIP)	1K OHM 1 / 16 W 1608 5.00% D	
		R513	0RH1001C622	O	O	RESISTOR,METAL GLAZED(CHIP)	1K OHM 1 / 16 W 1608 5.00% D	
		R514	0RH1203C622	O	O	RESISTOR,METAL GLAZED(CHIP)	120K OHM 1 / 16 W 1608 5.00% D	
		R515	0RH2700C622	O	O	RESISTOR,METAL GLAZED(CHIP)	270 OHM 1 / 16 W 1608 5.00% D	
		R516	0RH4703C622	O	O	RESISTOR,METAL GLAZED(CHIP)	470K OHM 1 / 16 W 1608 5.00% D	
		R517	0RH4700C622	O	O	RESISTOR,METAL GLAZED(CHIP)	470 OHM 1 / 16 W 1608 5.00% D	
		R518	0RH1001C622	O	O	RESISTOR,METAL GLAZED(CHIP)	1K OHM 1 / 16 W 1608 5.00% D	
		R520	0RH3901C622	O	O	RESISTOR,METAL GLAZED(CHIP)	3.9K OHM 1 / 16 W 1608 5.00% D	
		R521	0RH4701C622	O	O	RESISTOR,METAL GLAZED(CHIP)	4.7K OHM 1 / 16 W 1608 5.00% D	
		R522	0RH1001C622	O	O	RESISTOR,METAL GLAZED(CHIP)	1K OHM 1 / 16 W 1608 5.00% D	
		R523	0RH1002C622	O	O	RESISTOR,METAL GLAZED(CHIP)	10K OHM 1 / 16 W 1608 5.00% D	
		R524	0RH0222C622	O	O	RESISTOR,METAL GLAZED(CHIP)	22 OHM 1 / 16 W 1608 5.00% D	
		R525	0RH5601C622	O	O	RESISTOR,METAL GLAZED(CHIP)	5.6K OHM 1 / 16 W 1608 5.00% D	
		R526	0RH5601C622	O	O	RESISTOR,METAL GLAZED(CHIP)	5.6K OHM 1 / 16 W 1608 5.00% D	
		R527	0RH1002C622	O	O	RESISTOR,METAL GLAZED(CHIP)	10K OHM 1 / 16 W 1608 5.00% D	
		R528	0RH4701C622	O	O	RESISTOR,METAL GLAZED(CHIP)	4.7K OHM 1 / 16 W 1608 5.00% D	
		R530	0RH4701C622	O	O	RESISTOR,METAL GLAZED(CHIP)	4.7K OHM 1 / 16 W 1608 5.00% D	
		R531	0RH1002C622	O	O	RESISTOR,METAL GLAZED(CHIP)	10K OHM 1 / 16 W 1608 5.00% D	
		R535	0RH4703C622	O	O	RESISTOR,METAL GLAZED(CHIP)	470K OHM 1 / 16 W 1608 5.00% D	
		R544	0RH4701C622	O	O	RESISTOR,METAL GLAZED(CHIP)	4.7K OHM 1 / 16 W 1608 5.00% D	

S	AL	LOCA.NO	PART NO(LG)	A	B	DESCRIPTION	SPECIFICATION	REMARKS
		R546	0RH5601C622	O	O	RESISTOR,METAL GLAZED(CHIP)	5.6K OHM 1 / 16 W 1608 5.00% D	
		R547	0RH1202C622	O	O	RESISTOR,METAL GLAZED(CHIP)	12K OHM 1 / 16 W 1608 5.00% D	
		R548	0RH1003C622	O	O	RESISTOR,METAL GLAZED(CHIP)	100K OHM 1 / 16 W 1608 5.00% D	
		R550	0RH2200C622	O	O	RESISTOR,METAL GLAZED(CHIP)	220 OHM 1 / 16 W 1608 5.00% D	
		R553	0RH2200C622	O	O	RESISTOR,METAL GLAZED(CHIP)	220 OHM 1 / 16 W 1608 5.00% D	
		R555	0RH2200C622	O	O	RESISTOR,METAL GLAZED(CHIP)	220 OHM 1 / 16 W 1608 5.00% D	
		R556	0RH2202C622	O	O	RESISTOR,METAL GLAZED(CHIP)	22K OHM 1 / 16 W 1608 5.00% D	
		R557	0RH2702C622	O	O	RESISTOR,METAL GLAZED(CHIP)	27K OHM 1 / 16 W 1608 5.00% D	
		R558	0RH2202C622	O	O	RESISTOR,METAL GLAZED(CHIP)	22K OHM 1 / 16 W 1608 5.00% D	
		R561	0RH5600C622	O	O	RESISTOR,METAL GLAZED(CHIP)	560 OHM 1 / 16 W 1608 5.00% D	
		R562	0RH5600C622	O	O	RESISTOR,METAL GLAZED(CHIP)	560 OHM 1 / 16 W 1608 5.00% D	
		R563	0RH5601C622	O	O	RESISTOR,METAL GLAZED(CHIP)	5.6K OHM 1 / 16 W 1608 5.00% D	
		R564	0RH2702C622	O	O	RESISTOR,METAL GLAZED(CHIP)	27K OHM 1 / 16 W 1608 5.00% D	
		R566	0RH4701C622	O	O	RESISTOR,METAL GLAZED(CHIP)	4.7K OHM 1 / 16 W 1608 5.00% D	
		R567	0RH1002C622	O	O	RESISTOR,METAL GLAZED(CHIP)	10K OHM 1 / 16 W 1608 5.00% D	
		R568	0RH6802C622	O	O	RESISTOR,METAL GLAZED(CHIP)	68K OHM 1 / 16 W 1608 5.00% D	
		R569	0RH1004C622	O	O	RESISTOR,METAL GLAZED(CHIP)	1M OHM 1 / 16 W 1608 5.00% D	
		R575	0RH4701C622	O	O	RESISTOR,METAL GLAZED(CHIP)	4.7K OHM 1 / 16 W 1608 5.00% D	
		R576	0RH4701C622	O	O	RESISTOR,METAL GLAZED(CHIP)	4.7K OHM 1 / 16 W 1608 5.00% D	
		R577	0RH4701C622	O	O	RESISTOR,METAL GLAZED(CHIP)	4.7K OHM 1 / 16 W 1608 5.00% D	
		R578	0RH4701C622	O	O	RESISTOR,METAL GLAZED(CHIP)	4.7K OHM 1 / 16 W 1608 5.00% D	
		R579	0RH5602C622	O	O	RESISTOR,METAL GLAZED(CHIP)	56K OHM 1 / 16 W 1608 5.00% D	
		R582	0RH1000C622	O	O	RESISTOR,METAL GLAZED(CHIP)	100 OHM 1 / 16 W 1608 5.00% D	
		R589	0RH1004C622	O	O	RESISTOR,METAL GLAZED(CHIP)	1M OHM 1 / 16 W 1608 5.00% D	
		R591	0RH1003C622	O	O	RESISTOR,METAL GLAZED(CHIP)	100K OHM 1 / 16 W 1608 5.00% D	
		R5A2	0RH1002C622	O	O	RESISTOR,METAL GLAZED(CHIP)	10K OHM 1 / 16 W 1608 5.00% D	
		R5A3	0RH1002C622	O	O	RESISTOR,METAL GLAZED(CHIP)	10K OHM 1 / 16 W 1608 5.00% D	
		R5A5	0RH4703C622	O	O	RESISTOR,METAL GLAZED(CHIP)	470K OHM 1 / 16 W 1608 5.00% D	
		R5B3	0RH1001C622	O	O	RESISTOR,METAL GLAZED(CHIP)	1K OHM 1 / 16 W 1608 5.00% D	
		R5B4	0RH1001C622	O	O	RESISTOR,METAL GLAZED(CHIP)	1K OHM 1 / 16 W 1608 5.00% D	
		R5C1	0RH1001C622	O	O	RESISTOR,METAL GLAZED(CHIP)	1K OHM 1 / 16 W 1608 5.00% D	
		R5C5	0RH1001C622	O	O	RESISTOR,METAL GLAZED(CHIP)	1K OHM 1 / 16 W 1608 5.00% D	
		R5C6	0RH1001C622	O	O	RESISTOR,METAL GLAZED(CHIP)	1K OHM 1 / 16 W 1608 5.00% D	
		R5C7	0RH1001C622	O	O	RESISTOR,METAL GLAZED(CHIP)	1K OHM 1 / 16 W 1608 5.00% D	
		R5C9	0RH1002C622	O	O	RESISTOR,METAL GLAZED(CHIP)	10K OHM 1 / 16 W 1608 5.00% D	
		R5P2	0RH1002C622	O	O	RESISTOR,METAL GLAZED(CHIP)	10K OHM 1 / 16 W 1608 5.00% D	
		R5P3	0RH1002C622	O	O	RESISTOR,METAL GLAZED(CHIP)	10K OHM 1 / 16 W 1608 5.00% D	
		R5R1	0RH3300C622	O	O	RESISTOR,METAL GLAZED(CHIP)	330 OHM 1 / 16 W 1608 5.00% D	
		R5R2	0RH3300C622	O	O	RESISTOR,METAL GLAZED(CHIP)	330 OHM 1 / 16 W 1608 5.00% D	
		R5R3	0RH3300C622	O	O	RESISTOR,METAL GLAZED(CHIP)	330 OHM 1 / 16 W 1608 5.00% D	
		R5R4	0RH3300C622	O	O	RESISTOR,METAL GLAZED(CHIP)	330 OHM 1 / 16 W 1608 5.00% D	
		R5R5	0RH3300C622	O	O	RESISTOR,METAL GLAZED(CHIP)	330 OHM 1 / 16 W 1608 5.00% D	
		R5R6	0RH3300C622	O	O	RESISTOR,METAL GLAZED(CHIP)	330 OHM 1 / 16 W 1608 5.00% D	
		R5R7	0RH3300C622	O	O	RESISTOR,METAL GLAZED(CHIP)	330 OHM 1 / 16 W 1608 5.00% D	
		R5R8	0RH1001C622	O	O	RESISTOR,METAL GLAZED(CHIP)	1K OHM 1 / 16 W 1608 5.00% D	
		R5S1	0RH5601C622	O	O	RESISTOR,METAL GLAZED(CHIP)	5.6K OHM 1 / 16 W 1608 5.00% D	
		R5T1	0RH1801C622	O	O	RESISTOR,METAL GLAZED(CHIP)	1.8K OHM 1 / 16 W 1608 5.00% D	
		R5T10	0RH1501C622	O	O	RESISTOR,METAL GLAZED(CHIP)	1.5K OHM 1 / 16 W 1608 5.00% D	
		R5T11	0RH1001C622	O	O	RESISTOR,METAL GLAZED(CHIP)	1K OHM 1 / 16 W 1608 5.00% D	
		R5T2	0RH1501C622	O	O	RESISTOR,METAL GLAZED(CHIP)	1.5K OHM 1 / 16 W 1608 5.00% D	
		R5T3	0RH2201C622	O	O	RESISTOR,METAL GLAZED(CHIP)	2.2K OHM 1 / 16 W 1608 5.00% D	
		R5T4	0RH2701C622	O	O	RESISTOR,METAL GLAZED(CHIP)	2.7K OHM 1 / 16 W 1608 5.00% D	
		R5T5	0RH3301C622	O	O	RESISTOR,METAL GLAZED(CHIP)	3.3K OHM 1 / 16 W 1608 5.00% D	
		R5T9	0RH1801C622	O	O	RESISTOR,METAL GLAZED(CHIP)	1.8K OHM 1 / 16 W 1608 5.00% D	

S	AL	LOCA.NO	PART NO(LG)	A	B	DESCRIPTION	SPECIFICATION	REMARKS
		R5W1	0RH0000C622	O	O	RESISTOR,METAL GLAZED(CHIP)	0 OHM 1 / 16 W 1608 5.00% D	
		R5W2	0RH0000C622	O	O	RESISTOR,METAL GLAZED(CHIP)	0 OHM 1 / 16 W 1608 5.00% D	
		R701	0RH0000C622	O	O	RESISTOR,METAL GLAZED(CHIP)	0 OHM 1 / 16 W 1608 5.00% D	
		R702	0RH0000C622	O	O	RESISTOR,METAL GLAZED(CHIP)	0 OHM 1 / 16 W 1608 5.00% D	
		R706	0RH2200C622	O	O	RESISTOR,METAL GLAZED(CHIP)	220 OHM 1 / 16 W 1608 5.00% D	
		R707	0RH2200C622	O	O	RESISTOR,METAL GLAZED(CHIP)	220 OHM 1 / 16 W 1608 5.00% D	
		R709	0RH1001C622	O	O	RESISTOR,METAL GLAZED(CHIP)	1K OHM 1 / 16 W 1608 5.00% D	
		R753	0RH1001C622		O	RESISTOR,METAL GLAZED(CHIP)	1K OHM 1 / 16 W 1608 5.00% D	
		R754	0RH3301C622		O	RESISTOR,METAL GLAZED(CHIP)	3.3K OHM 1 / 16 W 1608 5.00% D	
		R755	0RH3301C622		O	RESISTOR,METAL GLAZED(CHIP)	3.3K OHM 1 / 16 W 1608 5.00% D	
		R758	0RH4701C622		O	RESISTOR,METAL GLAZED(CHIP)	4.7K OHM 1 / 16 W 1608 5.00% D	
		R759	0RH5601C622		O	RESISTOR,METAL GLAZED(CHIP)	5.6K OHM 1 / 16 W 1608 5.00% D	
		R7S1	0RH0000C622	O	O	RESISTOR,METAL GLAZED(CHIP)	0 OHM 1 / 16 W 1608 5.00% D	
		R801	0RH4701C622		O	RESISTOR,METAL GLAZED(CHIP)	4.7K OHM 1 / 16 W 1608 5.00% D	
		R802	0RH4701C622		O	RESISTOR,METAL GLAZED(CHIP)	4.7K OHM 1 / 16 W 1608 5.00% D	
		R817	0RH3304C622		O	RESISTOR,METAL GLAZED(CHIP)	3.3M OHM 1 / 16 W 1608 5.00% D	
		R818	0RH3302C622		O	RESISTOR,METAL GLAZED(CHIP)	33K OHM 1 / 16 W 1608 5.00% D	
		R819	0RH2701C622		O	RESISTOR,METAL GLAZED(CHIP)	2.7K OHM 1 / 16 W 1608 5.00% D	
		R820	0RH3902C622		O	RESISTOR,METAL GLAZED(CHIP)	39K OHM 1 / 16 W 1608 5.00% D	
		R821	0RH2701C622		O	RESISTOR,METAL GLAZED(CHIP)	2.7K OHM 1 / 16 W 1608 5.00% D	
		R822	0RH3302C622		O	RESISTOR,METAL GLAZED(CHIP)	33K OHM 1 / 16 W 1608 5.00% D	
		R823	0RH4700C622		O	RESISTOR,METAL GLAZED(CHIP)	470 OHM 1 / 16 W 1608 5.00% D	
		R824	0RH1000C622		O	RESISTOR,METAL GLAZED(CHIP)	100 OHM 1 / 16 W 1608 5.00% D	
		R825	0RH5600C622		O	RESISTOR,METAL GLAZED(CHIP)	560 OHM 1 / 16 W 1608 5.00% D	
		R826	0RH1801C622		O	RESISTOR,METAL GLAZED(CHIP)	1.8K OHM 1 / 16 W 1608 5.00% D	
		R827	0RH1001C622		O	RESISTOR,METAL GLAZED(CHIP)	1K OHM 1 / 16 W 1608 5.00% D	
		R828	0RH1001C622		O	RESISTOR,METAL GLAZED(CHIP)	1K OHM 1 / 16 W 1608 5.00% D	
		R830	0RH4701C622		O	RESISTOR,METAL GLAZED(CHIP)	4.7K OHM 1 / 16 W 1608 5.00% D	
		R831	0RH4701C622		O	RESISTOR,METAL GLAZED(CHIP)	4.7K OHM 1 / 16 W 1608 5.00% D	
		R8W1	0RH0000C622		O	RESISTOR,METAL GLAZED(CHIP)	0 OHM 1 / 16 W 1608 5.00% D	
		R901	0RH0752C622	O	O	RESISTOR,METAL GLAZED(CHIP)	75 OHM 1 / 16 W 1608 5.00% D	
		R902	0RH0752C622	O	O	RESISTOR,METAL GLAZED(CHIP)	75 OHM 1 / 16 W 1608 5.00% D	
		R903	0RH3901C622	O	O	RESISTOR,METAL GLAZED(CHIP)	3.9K OHM 1 / 16 W 1608 5.00% D	
		R904	0RH4702C622	O	O	RESISTOR,METAL GLAZED(CHIP)	47K OHM 1 / 16 W 1608 5.00% D	
		R905	0RH5600C622	O	O	RESISTOR,METAL GLAZED(CHIP)	560 OHM 1 / 16 W 1608 5.00% D	
		R906	0RH5600C622	O	O	RESISTOR,METAL GLAZED(CHIP)	560 OHM 1 / 16 W 1608 5.00% D	
		R911	0RH0752C622	O	O	RESISTOR,METAL GLAZED(CHIP)	75 OHM 1 / 16 W 1608 5.00% D	
		R912	0RH0752C622	O	O	RESISTOR,METAL GLAZED(CHIP)	75 OHM 1 / 16 W 1608 5.00% D	
		R913	0RH5600C622	O	O	RESISTOR,METAL GLAZED(CHIP)	560 OHM 1 / 16 W 1608 5.00% D	
		R914	0RH5600C622	O	O	RESISTOR,METAL GLAZED(CHIP)	560 OHM 1 / 16 W 1608 5.00% D	
		R964	0RH8200C622	O	O	RESISTOR,METAL GLAZED(CHIP)	820 OHM 1 / 16 W 1608 5.00% D	
		R965	0RH1001C622	O	O	RESISTOR,METAL GLAZED(CHIP)	1K OHM 1 / 16 W 1608 5.00% D	
		R9C1	0RH1202C622	O	O	RESISTOR,METAL GLAZED(CHIP)	12K OHM 1 / 16 W 1608 5.00% D	
		R9C2	0RH1002C622	O	O	RESISTOR,METAL GLAZED(CHIP)	10K OHM 1 / 16 W 1608 5.00% D	
		R9C3	0RH1501C622	O		RESISTOR,METAL GLAZED(CHIP)	1.5K OHM 1 / 16 W 1608 5.00% D	
		R9C4	0RH1501C622	O		RESISTOR,METAL GLAZED(CHIP)	1.5K OHM 1 / 16 W 1608 5.00% D	
		R9F1	0RH4701C622		O	RESISTOR,METAL GLAZED(CHIP)	4.7K OHM 1 / 16 W 1608 5.00% D	
		R9F2	0RH4701C622		O	RESISTOR,METAL GLAZED(CHIP)	4.7K OHM 1 / 16 W 1608 5.00% D	
		R9F3	0RH0752C622		O	RESISTOR,METAL GLAZED(CHIP)	75 OHM 1 / 16 W 1608 5.00% D	
		R9M1	0RH4702C622	O		RESISTOR,METAL GLAZED(CHIP)	47K OHM 1 / 16 W 1608 5.00% D	
		R9M2	0RH3901C622	O		RESISTOR,METAL GLAZED(CHIP)	3.9K OHM 1 / 16 W 1608 5.00% D	
		R9M3	0RH4702C622	O		RESISTOR,METAL GLAZED(CHIP)	47K OHM 1 / 16 W 1608 5.00% D	
		R9M4	0RH3901C622	O		RESISTOR,METAL GLAZED(CHIP)	3.9K OHM 1 / 16 W 1608 5.00% D	
		R9M5	0RH4701C622	O	O	RESISTOR,METAL GLAZED(CHIP)	4.7K OHM 1 / 16 W 1608 5.00% D	

S	AL	LOCA.NO	PART NO(LG)	A	B	DESCRIPTION	SPECIFICATION	REMARKS
		R9M6	0RH4701C622	O	O	RESISTOR,METAL GLAZED(CHIP)	4.7K OHM 1 / 16 W 1608 5.00% D	
		RC501	6712R1938EA	O	O	REMOTE CONTROLLER RECEIVER	TSOP2238AY VISHAY 38KHZ LGEDI	
		RS501	6500RAB009A	O	O	SENSOR	KIT-3001B KODENSHI KOREA 4PIN	
		RS502	6500RAB009A	O	O	SENSOR	KIT-3001B KODENSHI KOREA 4PIN	
		SW5T11	556-213C	O	O	SWITCH,DETECTOR	THVV951BAA POSTECH DC 12 V 5-0	
		SW5T12	556-213C	O		SWITCH,DETECTOR	THVV951BAA POSTECH DC 12 V 5-0	
		SW5T13	556-213C	O		SWITCH,DETECTOR	THVV951BAA POSTECH DC 12 V 5-0	
		SW5T15	556-213C	O	O	SWITCH,DETECTOR	THVV951BAA POSTECH DC 12 V 5-0	
		SW5T3	556-213C	O	O	SWITCH,DETECTOR	THVV951BAA POSTECH DC 12 V 5-0	
		SW5T4	556-213C	O	O	SWITCH,DETECTOR	THVV951BAA POSTECH DC 12 V 5-0	
		SW5T5	556-213C	O	O	SWITCH,DETECTOR	THVV951BAA POSTECH DC 12 V 5-0	
		SW5T6	556-213C	O	O	SWITCH,DETECTOR	THVV951BAA POSTECH DC 12 V 5-0	
		SW5T7	556-213C	O	O	SWITCH,DETECTOR	THVV951BAA POSTECH DC 12 V 5-0	
		SW981	556-219B		O	SWITCH,TACT	THVV502GAA POSTECH DC 12 V 5-	
		SW982	556-219B		O	SWITCH,TACT	THVV502GAA POSTECH DC 12 V 5-	
⚠		T101	642-015G	O	O	TRANSFORMER,SMPS[COIL]	SJE-015G/SHT-015G SJ/SH/CS/LSE	
		TU701	6700PFPL07A	O	O	TUNER	TADM-S101D(SECAM,LGIT) LG INOT	
⚠		V101	656-004C	O	O	VARISTOR,DRAWING	SVC681D-10A SAMHWA 4.O CUT	
		W361	0RD6800F608	O	O	RESISTOR,FIXED CARBON FILM	680 OHM 1/6 W 5% TA26	
		X301	6202R2443AC	O	O	RESONATOR,CRYSTAL	HC49U BUBANG 4-433709MHZ 15	
		X501	6212AA2100C	O	O	RESONATOR,CRYSTAL	HC-49S BUBANG 10MHZ +/- 30 PPM	
		X502	6202R-DA01A	O	O	RESONATOR,CRYSTAL	CFS-308 CITIZEN 32-768KHZ 20	
		X751	529-021Q		O	RESONATOR,CRYSTAL	49U BUBANG 18432000HZ 30PPM 16	
		ZD151	0DZ132609DA	O	O	DIODE,ZENER	UZ-13BSC 26MM TP PYUNG CHANG D	
		ZD199	0DZ332609BA	O	O	DIODE,ZENER	UZ-33BSB 26MM TP PYUNG CHANG D	
		ZD503	0DZ620009AM	O	O	DIODE,ZENERS	UZ-6.2BSC 26MM PYUNG CHANG TP	
		ZD803	0DZ132609DA		O	DIODE,ZENER	UZ-13BSC 26MM TP PYUNG CHANG D	
		ZD804	0DZ132609DA		O	DIODE,ZENER	UZ-13BSC 26MM TP PYUNG CHANG D	
		ZD901	0DZ132609DA		O	DIODE,ZENER	UZ-13BSC 26MM TP PYUNG CHANG D	
		ZD902	0DZ132609DA		O	DIODE,ZENER	UZ-13BSC 26MM TP PYUNG CHANG D	
		ZD903	0DZ752609AA		O	DIODE,ZENER	GDZJ7.5B 26MM TP GRANDE DO34	
		ZD904	0DZ752609AA		O	DIODE,ZENER	GDZJ7.5B 26MM TP GRANDE DO34	