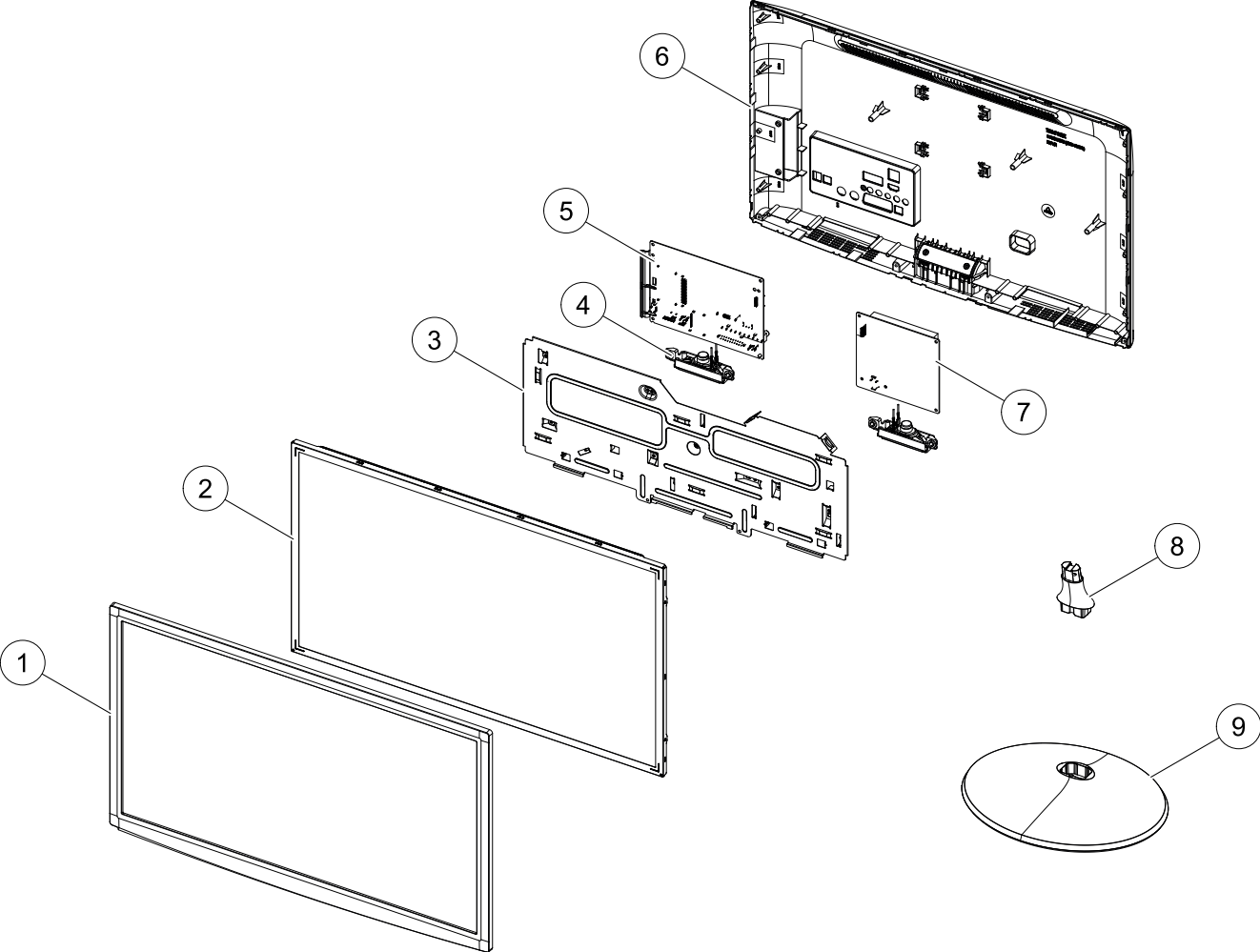


# 1. LT24B300EEC/EN (CP04)

## Exploded View



**Parts List**

No.	Lvl.	Loc.	Material Code	Description & Specification	SNA	Qty.
1	2	F001A	BN96-24669A	ASSY COVER P-FRONT; TB300 23.6",PC	SA	1
2	2	PANEL	BN07-01083A	LCD-PANEL; M236HGE-L20,CMN6E20,6bit Hi-FR	SA	1
3	2	CB07A	BN96-22237C	ASSY BRACKET P-PCB; TB350-24,SECC T0.8,CM	SNA	1
4	2	SP01A	BN96-21838G	ASSY SPEAKER P; 6ohm,4pin,5W,L:150mm,R:30	SA	1
5	2	M0014	BN94-06141C	ASSY PCB MAIN; TB300,23.6,EN/XE	SA	1
6	2	R001A	BN96-24670A	ASSY COVER P-REAR; TB300 23.6",HIPS,VO	SA	1
7	2	P001A	BN44-00505B	DC VSS-LED TV PD BD; PD23A0QV_CPN,AC/DC,A	SA	1
8	2	SB01A	BN96-22522H	ASSY STAND P-BODY; TB300 23.6,ABS+PC,WT00	SA	1
9	2	SB04A	BN96-21281P	ASSY STAND P-BASE; TB300 23.6,ABS+PC V0,W	SA	1

## 2. Electrical Parts List

Level	Loc.	Part Code	Description & Specification	Qty.	SA/SNA
			<b>LT24B300EEC/EN (CP04)</b>		
1	R001A	BN90-03871D	ASSY COVER REAR;T24B300EE	1	SNA
.2	SCREW	6003-000003	SCREW-TAPTYPE;BH,+,-,B,M4,L10,ZPC(BLK),S	1	SA
.2	SCREW	6003-001086	SCREW-TAPTYPE;BH,+,-,B,M3,L12,ZPC(BLK),S	4	SA
.2	R001A	BN96-24670A	ASSY COVER P-REAR;TB300 23.6",HIPS,VO	1	SA
..3	SCREW	6003-000282	SCREW-TAPTYPE;BH,+,-,B,M3,L8,ZPC(BLK),SW	1	SA
..3	SCREW	6003-001782	SCREW-TAPTYPE;BH,+,-,B,M4,L12,ZPC(BLK),SWR	2	SA
..3		BN60-00162V	SPACER-FOAM;FOAM,50000mm,DARK GRAY,0.5T,	0	SNA
..3	T0060	BN61-05091A	SPRING ETC-STAND;ECOFIT 23",SK5,T0.3	1	SNA
..3		BN61-07021A	HOLDER-STAND;SA350 SERIES,POM,WHITE,ACET	1	SNA
..3	ES02	BN61-07040A	SPRING ETC;SA350 Project,SK5,0.6	1	SNA
..3		BN61-07964A	HOLDER-STAND OUT;SB310,POM,WHITE,HOLDER	1	SNA
..3	R001	BN63-09270T	COVER-REAR;TB300 23.6",HIPS,VO	1	SNA
..3	SC05	BN63-09294D	COVER-STAND;TB300 23.6,ABS+PC,V0,WT0034	1	SNA
..4		BN63-09296C	COVER-STAND IN;TB300 23.6,ABS+PC,V0,WT00	1	SNA
..3	T0071	BN64-02031T	INLAY-TERMINAL;TB300,PS SHEET,T0.3,white	1	SNA
..3		BN96-22414A	ASSY HOLDER P-WALL;19UD4000,LDPE+METAL,M	4	SNA
..4		6021-001577	NUT-SQUARE;M4,9.5x9.5x4;M4,METAL	4	SNA
..4		BN61-08257A	HOLDER-WALL;19UD4000,PE,H6,L15,BLK,LDPE	4	SNA
1		BN90-04352A	ASSY COVER FRONT;T24B300EE	1	SNA
.2	F001A	BN96-24669A	ASSY COVER P-FRONT;TB300 23.6",PC	1	SA
..3		0201-001457	ADHESIVE-AA;BP-111,YEL,35CPS	0	SNA
..3		BN60-00560B	SPACER-FELT;FELT,260,BLK,T0.15,7	6	SNA
..3	CCM1	BN63-05199P	COVER-SHEET;AMBER,PE,T0.08,W1000,200M,CL	1	SNA
..3	F001	BN63-10089A	COVER-FRONT;TB300 23.6",ABS+PC,VO,WT0034	1	SNA
..3	FW04	BN64-02172A	WINDOW-REMOCON;TB300 23.6",PC,V2,MILKY(T	1	SNA
..4		0103-007463	RESIN-PC;SC-1200R,LDW51,TP0023,0.8 V-2	2	SNA
..3	FB21A	BN96-22582G	ASSY BOARD P-TOUCH FUNCTION & IR;TB350 X9	1	SA
1		BN91-08817E	ASSY LCD;BN07-01083A	1	SNA
.2	PANEL	BN07-01083A	LCD-PANEL;M236HGE-L20,CMN6E20,6bit Hi-FR	1	SA
1		BN91-08962J	ASSY SHIELD;T24B300EE,CMI	1	SNA
.2	SCREW	6003-000269	SCREW-TAPTYPE;BH,+,-,S,M3,L6,ZPC(WHT),SW	7	SNA
.2	EC13	BN39-01476G	LEAD CONNECTOR;TB350,Lead Connector,UL10	1	SA
.2	EC13	BN39-01684A	LEAD CONNECTOR;TB350,Lead Connector,UL21	1	SA
.2	P001A	BN44-00505B	DC VSS-LED TV PD BD;PD23A0QV_CP,N,AC/DC,A	1	SA
.2	FL06	BN96-21835K	ASSY CABLE P-FFC;TB350 X9,LVDS CABLE,P10	1	SA
.2	SP01A	BN96-21838G	ASSY SPEAKER P;6ohm,4pin,5W,L:150mm,R:30	1	SA
.2	CB07A	BN96-22237C	ASSY BRACKET P-PCB;TB350-24,SECC T0.8,CM	1	SNA

Exploded Views and Parts List

Level	Loc.	Part Code	Description & Specification	Qty.	SA/SNA
...3		BN60-00184C	SPACER-FOAM;FOAM,30000mm,DARK GRAY,1T,20	0	SNA
...3		BN60-00188D	SPACER-FOAM;MFM,FORM,30,NTR,3.0,98	2	SNA
...3	CB07	BN61-08086C	BRACKET-PCB;TB350-23/24,EGI-SECC,T0.8,CM	1	SNA
1	M0017	BN91-10106C	ASSY CHASSIS;LT24B300EE/EN	1	SNA
.2		BN81-01805C	A/S-TAPE-FILAMENT;ELMATIT,T0.1,W12,L1200	0	SNA
.2	M0014	BN94-06141C	ASSY PCB MAIN;TB300,23.6,EN/XE	1	SA
...3		BN63-09271C	COVER-AV;TB300,HIPS,V0,WT0034	1	SNA
...4		0103-004636	RESIN-HIPS;VE-1897,W91902,WT0034,1.5 V-0	8	SNA
...3		BN97-06150A	ASSY DRM-KEY CODE-ASS'Y;COM_012,TV,-,Eur	1	SNA
...4		BN46-00110G	KEY CODE-CERTIFI;HDCP,TV,MSTAR,General	1	SNA
...4		BN46-00115A	KEY CODE-CERTIFI;CI+,TV,MSTAR,Euro	1	SNA
...3		BN97-06988B	ASSY SMD-MAIN;23 TB300,EN/XE	1	SNA
...4		0202-001830	SOLDER-CREAM;LFM-48W TM-HP,D20~38um,96.5	6	SNA
...4	DS01A	0401-001056	DIODE-SWITCHING;MMBD4148SE,100V,200mA,SO	4	SA
...4		0403-001783	DIODE-ZENER;BZB84-C6V2,5.8/6.6V,300mW,SO	4	SNA
...4		0403-001785	DIODE-ZENER;NZH5V1B,4.94/5.2V,500mW,SOD-	1	SA
...4		0403-001797	DIODE-ZENER;NZH3V0B,2.85/3.15V,500mW,SOD	1	SNA
...4		0404-001404	DIODE-SCHOTTKY;BAT721C,40V,200mA,SOT-23,	1	SA
...4		0406-001200	DIODE-TVS;RCLAMP0504F,6/-V,150W,SC-70	1	SA
...4		0406-001271	DIODE-TVS;RCLAMP0524P,6/-V,150W,SLP251	2	SNA
...4	DS01A	0407-000114	DIODE-SWITCHING;KDS184,80V,100mA,SOT-23,	1	SNA
...4		0501-000279	TR-SMALL SIGNAL;KSA1182-Y,PNP,150mW,SOT-	1	SA
...4		0501-000445	TR-SMALL SIGNAL;KTC3875S-Y,NPN,150mW,SOT	8	SA
...4		0505-000110	FET-SILICON;2N7002,N,60V,115mA,7.5ohm,0.	3	SA
...4		0505-002560	FET-SILICON;AO6415,P,-20V,-3.3A,0.15ohm,	1	SA
...4		0801-002630	IC-CMOS LOGIC;74AHCT1G08,2-INPUT AND GAT	1	SA
...4		0801-002780	IC-CMOS LOGIC;74LVC1G17,SCHMITT-TRIGGER	1	SNA
...4		0801-003330	IC-CMOS LOGIC;Octal buffer,DQFN,20P,4.5x	2	SA
...4		0802-001012	IC-CMOS LOGIC;74LCX245,TRANSCEIVER,DQFN,	1	SNA
...4		1103-001310	IC-EEPROM;2Kbit,256x8,SOIC,8Z30,5x4mm,2.	3	SNA
...4		1103-001531	IC-EEPROM;S-24C256CI-J8T1U4,256Kbit,32Kx	1	SA
...4		1105-002194	IC-DDR3 SDRAM;K4B1G1646G-BCH9,DDR3 SDRAM	2	SA
...4		1201-003183	IC-AUDIO AMP;DRV612,HTSSOP,14P,5x4.4mm,D	1	SA
...4		1201-003333	IC-POWER AMP;NTP-7412S,MLF,48P,7x7mm,DUA	1	SA
...4		1203-004364	IC-VOL. DETECTOR;RT9818C-42PV,SOT-23,3P,	1	SA
...4		1203-006017	IC-VOL. DETECTOR;RT9824GJ8,TSOT23,8P,2.9	1	SA
...4		1203-006109	IC-POSIFIXED REG.;S-1206B33-M3T1G,SOT-2	1	SA
...4		1203-006130	IC-POSIFIXED REG.;S-1172B25-U5T1G,SOT-8	1	SA
...4		1203-006135	IC-POSIFIXED REG.;AP1117D-33-GZ-13-89,T	1	SA
...4		1203-006136	IC-POSIFIXED REG.;AP1117D-18-GZ-13-89,T	1	SA

Level	Loc.	Part Code	Description & Specification	Qty.	SA/SNA
...4		1203-006138	IC-POSI.ADJUST REG.;AP1117DGZ-13-89,TO-2	1	SA
...4		1203-007080	IC-DC/DC CONVERTER;AOZ1051PI,SO-8,8P,4.9	2	SA
...4		1203-007243	IC-POSI.FIXED REG.;G9001-500T11U,SOT-23-	2	SA
...4		1204-003313	IC-DECODER;SEMS23,LFPGA,568P,20.2x20.2mm	1	SNA
...4		1205-003201	IC-BUS SWITCH;TC7WB125FK,SSOP,8P,2x2.3mm	1	SA
...4		1405-001271	VARISTOR;35V,20Vdc,5A,1.0x0.5x0.6mm,TP,1	22	SA
...4		2007-000137	R-CHIP;2Kohm,5%,1/16W,TP,1005	8	SA
...4		2007-000138	R-CHIP;100ohm,5%,1/16W,TP,1005	25	SA
...4		2007-000141	R-CHIP;2.2Kohm,5%,1/16W,TP,1005	2	SA
...4		2007-000142	R-CHIP;2.7Kohm,5%,1/16W,TP,1005	1	SNA
...4		2007-000143	R-CHIP;4.7Kohm,5%,1/16W,TP,1005	39	SA
...4		2007-000148	R-CHIP;10Kohm,5%,1/16W,TP,1005	37	SA
...4		2007-000153	R-CHIP;22Kohm,5%,1/16W,TP,1005	6	SA
...4		2007-000157	R-CHIP;47Kohm,5%,1/16W,TP,1005	6	SA
...4		2007-000159	R-CHIP;56Kohm,5%,1/16W,TP,1005	1	SA
...4		2007-000162	R-CHIP;100Kohm,5%,1/16W,TP,1005	4	SA
...4		2007-000168	R-CHIP;470Kohm,5%,1/16W,TP,1005	1	SA
...4		2007-000172	R-CHIP;10ohm,5%,1/16W,TP,1005	1	SA
...4		2007-000173	R-CHIP;22ohm,5%,1/16W,TP,1005	8	SA
...4		2007-000256	R-CHIP;1.6Kohm,1%,1/10W,TP,1608	1	SA
...4		2007-000475	R-CHIP;1Mohm,1%,1/10W,TP,1608	1	SA
...4		2007-000691	R-CHIP;3.3Mohm,5%,1/10W,TP,1608	1	SA
...4		2007-000695	R-CHIP;3.3ohm,5%,1/10W,TP,1608	4	SNA
...4		2007-000775	R-CHIP;33Kohm,5%,1/16W,TP,1005	2	SA
...4		2007-000803	R-CHIP;36Kohm,1%,1/10W,TP,1608	1	SA
...4		2007-000962	R-CHIP;5.1Kohm,1%,1/10W,TP,1608	1	SA
...4		2007-001285	R-CHIP;5.6ohm,5%,1/16W,TP,1005	2	SA
...4		2007-001292	R-CHIP;33ohm,5%,1/16W,TP,1005	20	SA
...4		2007-001298	R-CHIP;51ohm,5%,1/16W,TP,1005	2	SA
...4		2007-001301	R-CHIP;68ohm,5%,1/16W,TP,1005	10	SA
...4		2007-001313	R-CHIP;330ohm,5%,1/16W,TP,1005	2	SA
...4		2007-001325	R-CHIP;3.3Kohm,5%,1/16W,TP,1005	1	SA
...4		2007-001333	R-CHIP;18Kohm,5%,1/16W,TP,1005	6	SA
...4		2007-002970	R-CHIP;56ohm,5%,1/16W,TP,1005	4	SA
...4		2007-007095	R-CHIP;390ohm,5%,1/16W,TP,1005	1	SNA
...4		2007-007138	R-CHIP;27Kohm,1%,1/16W,TP,1005	1	SA
...4		2007-007142	R-CHIP;10Kohm,1%,1/16W,TP,1005	7	SA
...4		2007-007156	R-CHIP;1ohm,5%,1/16W,TP,1005	8	SA
...4		2007-007318	R-CHIP;1Kohm,1%,1/16W,TP,1005	20	SNA
...4		2007-007463	R-CHIP;1.1Kohm,1%,1/16W,TP,1005	1	SA

Exploded Views and Parts List

Level	Loc.	Part Code	Description & Specification	Qty.	SA/SNA
...4		2007-007517	R-CHIP;240ohm,1%,1/16W,TP,1005	2	SNA
...4		2007-008015	R-CHIP;75ohm,1%,1/16W,TP,1005	12	SA
...4		2007-008275	R-CHIP;30Kohm,1%,1/16W,TP,1005	2	SNA
...4		2007-008649	R-CHIP;220ohm,1%,1/16W,TP,1005	1	SNA
...4		2007-008779	R-CHIP;0ohm,1%,1/16W,TP,1005	4	SA
...4		2011-000515	R-NETWORK;4.7Kohm,5%,1/16W,L,CHIP,8P,TP,	1	SA
...4		2011-001261	R-NETWORK;33ohm,5%,1/16W,L,CHIP,8P,TP,2.	6	SA
...4		2011-001262	R-NETWORK;22ohm,5%,1/16W,L,CHIP,8P,TP,2.	6	SA
...4		2011-001264	R-NETWORK;10ohm,5%,1/16W,L,CHIP,8P,TP,2.	2	SNA
...4		2011-001344	R-NETWORK;100ohm,5%,1/16W,L,CHIP,8P,TP,2	2	SA
...4		2011-001449	R-NETWORK;22ohm,5%,1/16W,L,4P,TP,1010	3	SA
...4		2011-001587	R-NETWORK;100ohm,5%,1/16W,L,CHIP-V,4P,TP	1	SNA
...4	AD480	2203-000233	C-CER,CHIP;0.1nF,5%,50V,C0G,TP,1005	6	SA
...4	AD480	2203-000386	C-CER,CHIP;0.015nF,5%,50V,C0G,TP,1005	2	SA
...4	AD480	2203-000438	C-CER,CHIP;1nF,10%,50V,X7R,TP,1005	12	SA
...4	AD480	2203-000489	C-CER,CHIP;2.2nF,10%,50V,X7R,TP,1005	6	SA
...4	AD480	2203-000575	C-CER,CHIP;220nF,10%,25V,X7R,TP,2012	2	SA
...4	AD480	2203-000679	C-CER,CHIP;0.027nF,5%,50V,C0G,TP,1005	2	SA
...4	AD480	2203-000714	C-CER,CHIP;3.3nF,10%,50V,X7R,TP,1005	4	SA
...4	AD480	2203-000812	C-CER,CHIP;0.033nF,5%,50V,C0G,TP,1005	1	SNA
...4	AD480	2203-000995	C-CER,CHIP;0.047nF,5%,50V,C0G,TP,1005	2	SNA
...4	AD480	2203-001412	C-CER,CHIP;0.03nF,5%,50V,NP0,TP,1005	4	SNA
...4	AD480	2203-002285	C-CER,CHIP;10nF,10%,50V,X7R,TP,1005	12	SNA
...4	AD480	2203-002525	C-CER,CHIP;0.56nF,10%,50V,X7R,TP,1005	6	SNA
...4	AD480	2203-002711	C-CER,CHIP;100nF,10%,25V,X7R,TP,1608	2	SA
...4	AD480	2203-003039	C-CER,CHIP;0.008nF,0.25pF,50V,C0G,TP,100	3	SA
...4	AD480	2203-005083	C-CER,CHIP;220nF,10%,50V,X7R,TP,1608,0.8	1	SA
...4	AD480	2203-005249	C-CER,CHIP;100nF,10%,50V,X7R,TP,1608	9	SA
...4	AD480	2203-005344	C-CER,CHIP;22nF,10%,25V,X7R,TP,1005,0.5T	2	SNA
...4	AD480	2203-005393	C-CER,CHIP;0.005nF,0.1pF,50V,NP0,TP,1005	1	SNA
...4	AD480	2203-006048	C-CER,CHIP;100nF,10%,10V,X7R,TP,1005	86	SA
...4	AD480	2203-006126	C-CER,CHIP;47nF,10%,16V,X7R,TP,1005	21	SNA
...4	AD480	2203-006324	C-CER,CHIP;2200nF,10%,10V,X5R,TP,1608	10	SA
...4	AD480	2203-006361	C-CER,CHIP;10000nF,10%,10V,X5R,TP,2012	9	SC
...4	AD480	2203-006474	C-CER,CHIP;22000nF,20%,6.3V,X5R,TP,2012	14	SA
...4	AD480	2203-006562	C-CER,CHIP;1000nF,10%,10V,X5R,TP,1005	15	SNA
...4	AD480	2203-006824	C-CER,CHIP;4700nF,10%,10V,X5R,TP,1608,-	1	SNA
...4	AD480	2203-006890	C-CER,CHIP;10000nF,20%,6.3V,X5R,TP,1608	25	SNA
...4	AD480	2203-006992	C-CER,CHIP;0.33nF,5%,50V,C0G,TP,1005	2	SNA
...4	AD480	2203-007176	C-CER,CHIP;10000nF,10%,16V,X5R,TP,2012,1	6	SNA

Level	Loc.	Part Code	Description & Specification	Qty.	SA/SNA
...4		2703-002238	INDUCTOR-SMD;1uH,5%,2012,2.38Ohm,23,Wire	2	SNA
...4		2703-003149	INDUCTOR-SMD;2.2uH,20%,5050,0.055Ohm,300	2	SA
...4		2703-003930	INDUCTOR-SMD;4.7uH,20%,5050,0.072Ohm,245	4	SA
...4		2801-003326	CRYSTAL-SMD;24MHz,30ppm,28-ABX,20pF,50oh	1	SA
...4		2801-003948	CRYSTAL-SMD;12MHz,30ppm,28-AAN,12pF,60oh	1	SA
...4		3301-000314	BEAD-SMD;120ohm,1608,TP,120ohm/100MHz	2	SA
...4		3301-001526	BEAD-SMD;10ohm,1.6x0.8x0.8mm,1000mA,TP,,	3	SNA
...4		3301-002039	BEAD-SMD;26ohm,1608,TP	44	SA
...4		3701-001746	CONNECTOR-DSUB;15P,3ROW,FEMALE,STARAIGHT	1	SA
...4		3701-001784	CONNECTOR-HDMI;19P,2ROW,FEMALE,SMD-S,AU	1	SA
...4		3708-001150	CONNECTOR-FPC/FFC/PIC;30P,1mm,SMD-A,SN,Z	1	SA
...4		3709-001712	CONNECTOR-CARD SLOT;68P,1.27mm,ANGLE,AU,	1	SA
...4	EH01	3711-007582	HEADER-BOARD TO CABLE;BOX,8P,1R,2.0mm,AN	1	SA
...4		3711-007585	CONNECTOR-HEADER;BOX,4P,1R,2.5mm,ANGLE-D	1	SA
...4		3711-007741	CONNECTOR-HEADER;BOX,14P,2R,2.0mm,ANGLE,	1	SA
...4		3722-003213	JACK-PIN;J/B 5P + Screw hole,NI+SN,BLK,S	1	SA
...4		3722-003225	JACK-USB;4P/1C,Au,BLK,SMD-A(DIP),A	1	SA
...4		3722-003226	JACK-PHONE;7P/1C,SN,BLK	1	SA
...4		3722-003408	JACK-SCART;21P,SN,BLK	1	SA
...4	ET01	BN40-00232A	TUNER;DTOD40FVL084AA,DTOD40FVL084AA,DVB-	1	SA
...4		BN41-01879A	PCB MAIN;x9_dvb_isdb_small_mfm,FR-4,4,1.	1	SNA
...4		BN97-06465A	ASSY MICOM;Onboot_MFM_X9_1000,2012.01.03	1	SNA
....5		1107-002076	IC-NOR FLASH;W25Q40BVSSIP,4Mbit,SOP,8P,5	1	SNA
...4		BN97-06588A	ASSY MICOM;T-MX9MDEUC-1014.0,WFB1,K9F1G0	1	SNA
....5		1107-002049	IC-NAND FLASH;K9F1G08U0D-SCB0,1Gbit,128M	1	SNA
...4		BN97-06617A	ASSY MICOM-SUB;T-MX9MDEUS-1003,WFB1,TB30	1	SNA
....5		0903-001718	IC-MICROCONTROLLER;61P805-RG480WT,LQFP,4	1	SNA
1		BN92-09907C	ASSY P/MATERIAL;TB300,23.6	1	SNA
.2		6902-001664	BAG ROLL;POLYESTER,MDPE ESD,T0.01,W700,L	1	SNA
.2		6902-001674	BAG ROLL;HDPE/PE FOAM,T0.01/T0.3,W600,L3	1	SNA
.2	T0527	BH68-40364A	LABEL-SUMMARY;G52,G72,ART,100G,WHT,BLK,W	1	SNA
.2		BN63-08890L	COVER-SHEET NITRON;LE26D460,PE,T2.0,1300	1	SNA
.2		BN63-09096A	COVER-PALLET FOIL;32D550,PE,T0.03,2000,2	1	SNA
.2	T0527	BN68-00129A	LABEL SHIPPING-00;LABEL SHIPPING,ART-PAP	1	SNA
.2		BN69-00257S	PACKING-PAD;- ,PAPER,- ,CB-SW4,1000,800,-,	1	SNA
.2		BN69-04045A	PAD PACKING-EDGE;CB,B800,W50x50,L2400,YE	1	SNA
.2		BN69-05457B	PALLET-WOODEN;WOOD,1300,850,130,18%	1	SNA
.2		BN69-05929A	WRAP STRETCH FILM;All,LDPE,0.0066,440,40	1	SNA
.2		BN69-07326A	CUSHION-SET;TB350 24",EPS,T0.018,WHITE	1	SNA
..3		0103-005099	RESIN-EPS;BASF303,Natural,Natural	199	SNA

Exploded Views and Parts List

Level	Loc.	Part Code	Description & Specification	Qty.	SA/SNA
.2		BN81-02321A	BAG-AIR;LIGHT FLEX PLASTIK,PE WHITE,L120	1	SNA
.2		HA83-00057B	LP-TAPE-CELLULOSE;;,HA02-030010,T0,046,W7	2	SNA
1		BN92-09908Y	ASSY LABEL;LT24B300EE/EN	1	SNA
.2		BN68-04212A	LABEL RATING;ALL,WW,PE,T0.05,90,60,White	1	SNA
1		BN92-10104V	ASSY BOX;LT24B300EEC/EN	1	SNA
.2		BH68-00658C	LABEL BOX-00;ALL MODEL,MOJO 90G,WHT,WIND	1	SNA
.2		BN68-03920A	LABEL BOX;All Monitor,ART-PAPER 100G,WHT	1	SNA
.2		BN69-07405M	BOX-SET;TB300 23.6",CB,A-01,SW2,ECT 40,	1	SNA
.2	M0245	BN96-02895A	ASSY MISC P-01,HANDLE PACKING;ALL MODEL,	1	SNA
...3		BN66-00007A	LEVER-TOP;ALL MODEL,LDPE,WHITE,5.8g	1	SNA
...3		BN66-00008A	LEVER-BOTTOM;ALL MODEL,LDPE,WHITE,4.01g	1	SNA
1	ACCE1	BN92-10570Z	ASSY ACCESSORY;LT24B300EE/EN	1	SNA
.2	REMO2	AA59-00715A	REMOCON;TM1240,44,3V,TM1240_White_MFM	1	SA
.2		BN68-04038Y	LABEL-ENERGY LABEL;T24B300EE,MOJO*,T0.05	1	SNA
.2	SB04A	BN96-21281P	ASSY STAND P-BASE;TB300 23.6,ABS+PC V0,W	1	SA
...3		BN61-07807A	HOLDER-STAND;SUM24L,SWCH18A	1	SNA
...3	CCM1	BN63-02183D	COVER-SHEET;Rhcm,PE Vinyl,T0.05,680mm,20	0	SNA
...3		BN63-09008G	COVER-STAND BASE;TB300 23.6,ABS+PC,V0,WT	1	SNA
...4		0103-007442	RESIN-PC ABS;NH-1017SG,W91902,WT0034,2.0	225	SNA
...3		BN67-00327J	RUBBER-FOOT;RUBBER-FOOT,SILICONE,SQUARE,	4	SNA
...3		BN68-03893W	LABEL-STICKER;TB300 23.6 white,ART PAPER	1	SNA
.2	SB01A	BN96-22522H	ASSY STAND P-BODY;TB300 23.6,ABS+PC,WT00	1	SA
...3		BN60-00545A	SPACER-FELT;SB350,FELT,L21,BLK,T0.3,W6	4	SNA
...3		BN61-08259E	STAND-BAR;TB300 23.6,ABS+PC,WT00034,V0,H	1	SNA
...4		BN61-08260D	STAND-BAR IN;TB300 23.6,ABS+PC,WT0034,V0	1	SNA
....5		0103-007442	RESIN-PC ABS;NH-1017SG,W91902,WT0034,2.0	73	SNA
....5		BN61-02932E	BRACKET-STOPPER NUT;ECOFIT 20,M4,D7,L12,	1	SNA
...3	CCM1	BN63-02183C	COVER-SHEET;Rhcm,PE Vinyl,T0.05,200mm,30	0	SNA
...3		BN68-04673A	LABEL-STICKER;TB300 23.6 WHITE,ART PAPER	1	SNA
.2	ACCE1	BN96-23790R	ASSY ACCESSORY;TB300	1	SNA
...3	T0268	3903-000525	CBF-POWER CORD;DT,CEE,LP-21L,250V,2.5A,B	1	SA
...3		4301-000121	BATTERY-MN;1.5V,R03,10.5x44.5m,7.5g,AAA	2	SNA
...3		6902-000110	BAG PE;LDPE,T0.05,W250,L400,TRP,28,2,9.2	1	SNA
...3		AA68-03242W	MANUAL FLYER-04,SAFETY GUIDE;comm,SyncMa	1	SNA
...3		AA68-03576C	LEAFLET-02,CIS CALL CENTER;comm,Samsung,	1	SNA
...3	EC29	BN39-00244H	CBF SIGNAL-D-SUB TO D-SUB;D-sub cable,15	1	SA
...3	EC08	BN39-01286A	CBF SIGNAL-STEREO;3p,UL2547, Audio Stand	1	SC
...3		BN46-00196T	S/W DRIVER-CD-05;MODEL4	1	SNA
...3	M9889	BN63-01798B	CLOTH-CLEAN;CLOTH,sea blue,ToC	1	SNA
...3		BN68-00226R	LEAFLET-07,WARRANTY CARD;comm,Samsung,15	1	SNA



Level	Loc.	Part Code	Description & Specification	Qty.	SA/SNA
..3		BN68-01925V	LEAFLET-01,WARRANTY CARD;comm,Samsung,14	1	SNA
..3		BN68-02462F	LABEL-STICKER;CIS,Art Paper,T0.05,93,40,	1	SNA
..3		BN68-03548D	LEAFLET-05,WARRANTY CARD;comm,Samsung,16	1	SNA
..3		BN68-04315A	LEAFLET-FOR STAND;comm,Samsung,English,W	1	SNA
..3		BN68-04480F	MANUAL USERS-02;MODEL6,SAMSUNG,W/P 80g	1	SNA
..3		BN68-04480P	LEAFLET-ENERGY SHEET;MODEL6,SAMSUNG,W/P	1	SNA