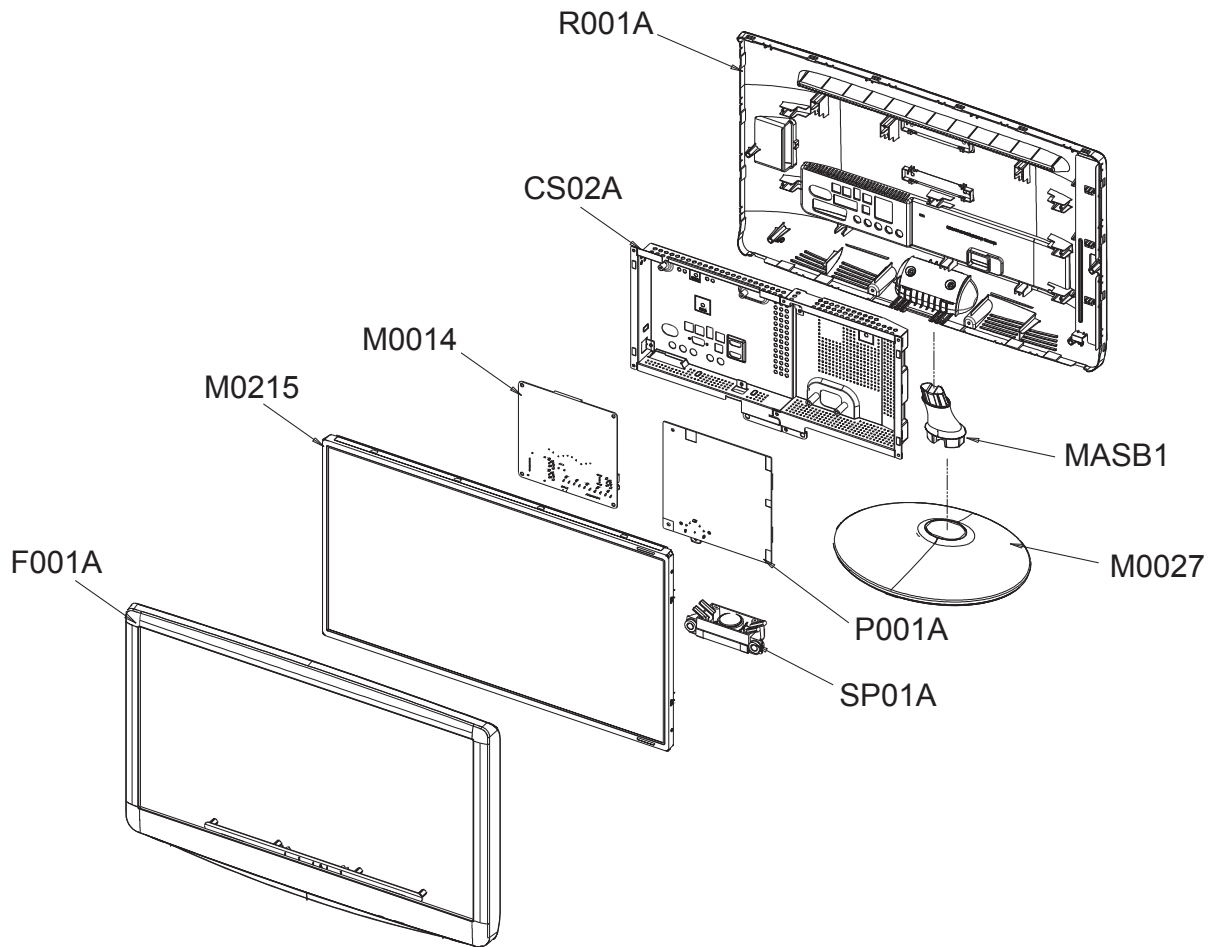


## 5. Exploded View & Part List

### 5-1. LS24PTDSF/EN Exploded View (B2430HD)



#### 5-1-1. LS24PTDSF/EN Parts List

Location No.	Code No.	Description & Specification	Q'ty	SA/SNA	Remark
CS02A	BN96-14967F	ASSY SHIELD P-COVER;LS24PT,EUROPE,SECC,T	1	SNA	
F001A	BN96-12496E	ASSY COVER P-FRONT;Plum MFM 24 (B2430HD)	1	SA	
M0014	BN94-02646F	ASSY PCB MAIN;LS24PTDSF/EN	1	SA	
M0027	BN96-12485A	ASSY STAND P-BASE;PLUM 22~24,ABS+PMMA(SF	1	SA	
M0215	BN07-00765A	LCD-PANEL;M240HW01 V2,AU24012,6bit Hi-FR	1	SA	
MASB1	BN96-12487A	ASSY STAND P-BODY;PLUM 23,ABS+PMMA(SF-09	1	SA	
P001A	BN44-00392A	AC VSS(I);IP-65155A,PLUM23,24"w(MFM),0.7	1	SA	
R001A	BN96-14966C	ASSY COVER P-REAR;Plum MFM24 (B2430HD),E	1	SA	
SP01A	BN96-12940D	ASSY SPEAKER P;16ohm,4pin,3W,L:60 R:270	1	SA	

**5-2. LS24PTDSF/EN Parts List (B2430HD)**

Service Bom (SA: SERVICE AVAILABLE, SNA: SERVICE NOT AVAILABLE)

Level	Location No.	Code No.	Description & Specification	Q'ty	SA/SNA	Remark
			LS24PTDSF/EN			
0.1	R001A	BN90-02903A	ASSY COVER REAR;LS24PTDSF/EN,30-MFM	1	SNA	
..2	W391	6003-000275	SCREW-TAPTYPE;BH,+ ,B,M3,L10,ZPC(BLK),SWR	2	SA	
..2	R001A	BN96-14966C	ASSY COVER P-REAR;Plum MFM24 (B2430HD),E	1	SA	
...3	M0081	6003-001001	SCREW-TAPTYPE;FH,+ ,B,M3,L8,ZPC(BLK),SWRC	1	SNA	
...3	M0081	6003-001239	SCREW-TAPTYPE;FH,+ ,B,M4,L10,ZPC(WHT),SWR	2	SNA	
...3	T0060	BN61-05091A	SPRING ETC-STAND;ECOFIT 23",SK5,T0.3	1	SNA	
...3	T0060	BN61-05968A	SPRING ETC;PLUM 23,SK5,T0.6,BLACK	1	SNA	
...3	CIS4	BN61-05971A	HOLDER-STAND;PLUM 23,POM,WHITE,ACETAL	1	SNA	
...3	CB19	BN61-06509A	BRACKET-VESA;PLUM MFM,EGI-SECC,T0.8	4	SNA	
...3		BN63-06317A	SHIELD-LAMP;PLUM 23",SPTE,T0.3	1	SNA	
...3	SC05	BN63-06981A	COVER-STAND;PLUM_MFM_23,ABS+PMMA,HB,BK23	1	SNA	
...3	R001	BN63-06985A	COVER-REAR;PLUM_MFM_24,ABS,HB,BK23,EUROP	1	SNA	
...3	T0071	BN64-01397A	INLAY-TERMINAL;PLUM MFM,PS SHEET,T0.3,EU	1	SNA	
...3		BN74-00031A	GREASE;kanto-kasei FL-955,grease,wht	0.15	SNA	
...3	M0131	BP63-00786A	GASKET;HLS6187WX/XAA,Conductive Adhesive	1	SNA	
0.1		BN90-02911A	ASSY COVER FRONT;LS24PT,30-MFM	1	SNA	
..2	F001A	BN96-12496E	ASSY COVER P-FRONT;Plum MFM 24 (B2430HD)	1	SA	
...3	W392	6003-000282	SCREW-TAPTYPE;BH,+ ,-,B,M3,L8,ZPC(BLK),SW	4	SA	
...3		BN61-06447B	HOLDER-BOSS;PLUM_MFM_23,HIPS,BK23,HB,RIB	1	SNA	
...3	CCM1	BN63-02183D	COVER-SHEET;Rhcm,PE Vinyl,T0.05,680mm,20	0.8	SNA	
...3	F001	BN63-06348B	COVER-FRONT;PLUM MFM24"(B2430HD),ABS+PMM	1	SNA	
...3		BN64-01233A	DECORATION;PLUM B2430H,PC,CLEAR	1	SNA	
...3	AL093	BN67-00280A	LENS-LED;PLUM23",PC CLEAR,TP26	1	SNA	
...3	T0527	BN68-00798D	LABEL-ENERGY,STAR;L/M,W/W,PET,T0.05,9.3,	1	SNA	
...3	AS100	BN63-07438A	SHEET-LED;30-MFM,PC SHEET,T0.2,BLK	2	SNA	
...3	FB01A	BN96-15120B	ASSY BOARD P-FUNCTION;B2230HN,CT5000-796	1	SA	
..2	SP01A	BN96-12940D	ASSY SPEAKER P;16ohm,4pin,3W,L:60 R:270	1	SA	
..2		BN68-03085B	LABEL-MONITOR-POP;30 MFM POP,WW,PET,T0.0	1	SNA	
0.1		BN91-02658H	ASSY LCD-ATZ;LS24EMDKU/EN	1	SNA	
..2	M0215	BN07-00765A	LCD-PANEL;M240HW01 V2,AU24012,6bit Hi-FR	1	SA	
0.1	M0017	BN91-05542F	ASSY CHASSIS;LS24PTDSF/EN	1	SNA	
..2	T0081	6001-002408	SCREW-MACHINE;BH,+ ,WT,M4,L12,ZPC(WHT),SW	2	SA	
..2	M0081	6003-000264	SCREW-TAPTYPE;PWH,+ ,-,B,M3,L6,ZPC(WHT),S	5	SA	
..2	T0562	6046-001014	STAND OFF;#4-40,L6,NI PLT,C3601	2	SNA	
..2	P001A	BN44-00392A	AC VSS(I);IP-65155A,PLUM23,24"w(MFM),0.7	1	SA	
..2	CCMM1	BN73-00152A	SILICON/RUBBER;LNT4661FX/XAA,FILLER,19x1	1	SNA	
..2	M0014	BN94-02646F	ASSY PCB MAIN;LS24PTDSF/EN	1	SA	
...3		0202-001557	SOLDER-CREAM;LST57-A,D38-63,42SN/57BI/1A	3	SNA	
...3		0202-001608	SOLDER-WIRE FLUX;LFC7-107,D0.8,99.3Sn/0.	0.25	SNA	
...3		3701-001658	CONNECTOR-DSUB;15P,3ROW,FEMALE,STRAIGHT	1	SA	
...3	HB01A	3711-000058	HEADER-BOARD TO CABLE;BOX,4P,1R,2.5MM,AN	1	SA	
...3	CN906	3711-004105	CONNECTOR-HEADER;BOX,8P,1R,2.5mm,ANGLE,S	1	SA	
...3	DRVCN1	3711-004379	HEADER-BOARD TO CABLE;BOX,4P,1R,2mm,STRA	1	SA	
...3	JA330	3722-002176	JACK-PHONE;7P/4C,SN,L-BLU,STRAIGHT	1	SA	
...3	JA332	3722-002691	JACK-PIN;2P,Ni,WHT/RED,STRAIGHT	1	SA	

## 5. Exploded View &amp; Part List

Level	Location No.	Code No.	Description & Specification	Q'ty	SA/SNA	Remark
...3	JA331	3722-002703	JACK-PIN;3P,Ni,GRN/BLU/RED,STRAIGHT	1	SA	
...3	CIS3	BN40-00173A	TUNER;DTOS40CVL081A,DVB-T/C,164CH,38.9MH	1	SA	
...3		BN97-03630F	ASSY SMD;LS24PTDSF/EN,BN94-02646F	1	SNA	
...4		0202-001477	SOLDER-CREAM;LST309-M,D20~45um,96.5Sn/3A	3.476	SNA	
...4	DS01A	0401-001056	DIODE-SWITCHING;MMBD4148SE,100V,200mA,SO	13	SA	
...4	D1	0401-001099	DIODE-SWITCHING;1N4148WS,75V,150mA,SOD-3	1	SA	
...4		0403-001180	DIODE-ZENER;BZX84C6V2,5.8-6.6V,350mW,SOT	1	SA	
...4		0403-001783	DIODE-ZENER;BZB84-C6V2,5.8/6.6V,300mW,SO	15	SNA	
...4	D0254	0404-001404	DIODE-SCHOTTKY;BAT721C,40V,200mA,SOT-23,	1	SA	
...4	T0139	0406-001200	DIODE-TVS;RCLAMP0504F,6/-V,150W,SC-70	1	SA	
...4	T0139	0406-001271	DIODE-TVS;RCLAMP0524P,6/-V,150W,SLP251	4	SNA	
...4	SD3	0407-000114	DIODE-SWITCHING;KDS184,80V,100mA,SOT-23,	3	SNA	
...4	KQ1	0501-000279	TR-SMALL SIGNAL;KSA1182-Y,PNP,150mW,SOT-	1	SA	
...4	Q101	0501-000445	TR-SMALL SIGNAL;KTC3875S-Y,NPN,150mW,SOT	9	SA	
...4	PQ02	0501-002080	TR-SMALL SIGNAL;2SC2412K,NPN,200mW,SC-59	4	SA	
...4	CEQ2	0505-000110	FET-SILICON;2N7002,N,60V,115mA,7.5ohm,0.	2	SA	
...4		0505-001844	FET-SILICON;SI4435DDY-T1-GE3,P,-30V,-11.	3	SA	
...4	M0215	0801-002198	IC-CMOS LOGIC;74LVC14,INVERTER,SOP,14P,1	1	SA	
...4	IC104	0801-002630	IC-CMOS LOGIC;74AHCT1G08,2-INPUT AND GAT	1	SA	
...4	ND51C2	0801-002780	IC-CMOS LOGIC;74LVC1G17,SCHMITT-TRIGGER	1	SA	
...4	IC104	0801-003330	IC-CMOS LOGIC;Octal buffer,DQFN,20P,4.5x	2	SA	
...4	IC104	0802-001012	IC-CMOS LOGIC;74LCX245,TRANSCEIVER,DQFN,	1	SNA	
...4		1006-001474	IC-LINE DRIVER;DRV604PWP,HPSSOP,28P,9.8x	1	SA	
...4	IC112	1103-000129	IC-EEPROM;24C02,2Kbit,256x8,SOP,8P,5x4mm	2	SA	
...4	IC112	1103-001310	IC-EEPROM;24LC02B,256X8BIT,SOIC,8P,3.91X	2	SA	
...4		1103-001487	IC-EEPROM;AT24C256C-SSHL-T,256Kbit,32Kx8	1	SA	
...4		1105-002058	IC-DDR2 SDRAM;K4T1G164QE-HCF8,DDR2,1Gbit	2	SA	
...4		1201-002994	IC-POWER AMP;NTP-7300S,QFN,56P,8x8mm,DUA	1	SA	
...4	T0087	1203-001815	IC-POSI.FIXED REG.;78M09,TO-252,3P,PLAST	1	SA	
...4	T0087	1203-002835	IC-POSI.FIXED REG.;KIA7805AF,DPAK,3P,6.6	1	SA	
...4	T0087	1203-002898	IC-POSI.FIXED REG.;G950T45R,TO-252,3P,6.	1	SA	
...4		1203-004364	IC-VOL. DETECTOR;RT9818C-42PV,SOT-23,3P,	1	SA	
...4		1203-006013	IC-DC/DC CONVERTER;AOZ1031AI,SO-8,8P,4.9	2	SA	
...4		1203-006017	IC-VOL. DETECTOR;RT9824GJ8,TSOT23,8P,2.9	1	SA	
...4	T0087	1203-006135	IC-POSI.FIXED REG.;AP1117D-33-GZ-13-89,T	1	SA	
...4	IC012	1203-006138	IC-POSI.ADJUST REG.;AP1117DGZ-13-89,TO-2	2	SA	
...4		1203-006337	IC-POSI.FIXED REG.;G9091-330T11U,SOT-23-	1	SA	
...4		1204-003088	IC-DEMODULATOR;DRX39XYK,PQFN,64P,9x9x0.8	1	SA	
...4		1204-003173	IC-DECODER;SEMS16-LF-SC,LFBGA,569P,20.2*	1	SA	
...4		1205-003201	IC-BUS SWITCH;TC7WB125FK,SSOP,8P,2x2.3mm	1	SA	
...4		1205-003479	IC-SWITCH;TPS2051BDBVR,SOT-23,5P,2.9x1.6	1	SA	
...4		1205-003735	IC-SWITCH;AP2151WG-7,SOT25,5P,2.9x1.6mm,	1	SA	
...4		1405-001271	VARISTOR;20Vdc,5A,1.0x0.5x0.6mm,TP	25	SA	
...4	KAR21	2007-000070	R-CHIP;0ohm,5%,1/10W,TP,1608	5	SA	
...4	PR6	2007-000072	R-CHIP;47ohm,5%,1/10W,TP,1608	4	SA	
...4	AR150	2007-000078	R-CHIP;1Kohm,5%,1/10W,TP,1608	1	SA	
...4	FMR4	2007-000080	R-CHIP;2Kohm,5%,1/10W,TP,1608	1	SNA	
...4	CER04	2007-000084	R-CHIP;4.7Kohm,5%,1/10W,TP,1608	1	SA	
...4	MROP1	2007-000090	R-CHIP;10Kohm,5%,1/10W,TP,1608	1	SA	
...4	ARR2	2007-000102	R-CHIP;100Kohm,5%,1/10W,TP,1608	1	SA	
...4	KAR11	2007-000124	R-CHIP;2.2Kohm,5%,1/10W,TP,1608	2	SNA	

5. Exploded View & Part List

Level	Location No.	Code No.	Description & Specification	Q'ty	SA/SNA	Remark
....4	R105	2007-000138	R-CHIP;100ohm,5%,1/16W,TP,1005	21	SA	
....4	AR49	2007-000140	R-CHIP;1Kohm,5%,1/16W,TP,1005	12	SA	
....4	MR306	2007-000141	R-CHIP;2.2Kohm,5%,1/16W,TP,1005	8	SA	
....4	AVR73	2007-000142	R-CHIP;2.7Kohm,5%,1/16W,TP,1005	1	SA	
....4	R319	2007-000143	R-CHIP;4.7Kohm,5%,1/16W,TP,1005	55	SA	
....4		2007-000146	R-CHIP;6.8Kohm,5%,1/16W,TP,1005	2	SA	
....4	R104	2007-000148	R-CHIP;10Kohm,5%,1/16W,TP,1005	48	SA	
....4	MR36	2007-000153	R-CHIP;22Kohm,5%,1/16W,TP,1005	6	SNA	
....4	AR43	2007-000155	R-CHIP;27Kohm,5%,1/16W,TP,1005	1	SNA	
....4	MR13	2007-000157	R-CHIP;47Kohm,5%,1/16W,TP,1005	8	SNA	
....4	DR39	2007-000162	R-CHIP;100Kohm,5%,1/16W,TP,1005	5	SNA	
....4	MR16	2007-000168	R-CHIP;470Kohm,5%,1/16W,TP,1005	1	SNA	
....4	R509	2007-000170	R-CHIP;1Mohm,5%,1/16W,TP,1005	1	SA	
....4	R111	2007-000171	R-CHIP;0ohm,5%,1/16W,TP,1005	3	SNA	
....4	HDR17	2007-000172	R-CHIP;10ohm,5%,1/16W,TP,1005	2	SNA	
....4	R338	2007-000173	R-CHIP;22ohm,5%,1/16W,TP,1005	23	SA	
....4	UR23	2007-000174	R-CHIP;47ohm,5%,1/16W,TP,1005	2	SA	
....4	R124	2007-000775	R-CHIP;33Kohm,5%,1/16W,TP,1005	2	SA	
....4	HR10	2007-000962	R-CHIP;5.1Kohm,1%,1/10W,TP,1608	1	SA	
....4		2007-001285	R-CHIP;5.6ohm,5%,1/16W,TP,1005	2	SA	
....4	OTR1	2007-001292	R-CHIP;33ohm,5%,1/16W,TP,1005	34	SA	
....4	DR43	2007-001298	R-CHIP;51ohm,5%,1/16W,TP,1005	2	SA	
....4	DR1	2007-001301	R-CHIP;68ohm,5%,1/16W,TP,1005	10	SA	
....4	R326	2007-001325	R-CHIP;3.3Kohm,5%,1/16W,TP,1005	2	SA	
....4		2007-001333	R-CHIP;18Kohm,5%,1/16W,TP,1005	6	SNA	
....4	MR316	2007-002796	R-CHIP;510ohm,5%,1/16W,TP,1005	1	SA	
....4	PR24	2007-002970	R-CHIP;56ohm,5%,1/16W,TP,1005	17	SA	
....4	HDR8	2007-007095	R-CHIP;390ohm,5%,1/16W,TP,1005	1	SA	
....4		2007-007132	R-CHIP;15Kohm,1%,1/16W,TP,1005	1	SA	
....4		2007-007134	R-CHIP;39Kohm,1%,1/16W,TP,1005	1	SA	
....4		2007-007137	R-CHIP;1.2Kohm,1%,1/16W,TP,1005	1	SA	
....4	DR4	2007-007142	R-CHIP;10Kohm,1%,1/16W,TP,1005	2	SA	
....4		2007-007156	R-CHIP;1ohm,5%,1/16W,TP,1005	5	SA	
....4		2007-007318	R-CHIP;1Kohm,1%,1/16W,TP,1005	4	SNA	
....4		2007-007334	R-CHIP;200Kohm,1%,1/16W,TP,1005	2	SNA	
....4	DR157	2007-007650	R-CHIP;274ohm,1%,1/10W,TP,1608	1	SA	
....4	R8	2007-007721	R-CHIP;560ohm,1%,1/10W,TP,1608	1	SA	
....4		2007-007766	R-CHIP;2Kohm,1%,1/16W,TP,1005	1	SNA	
....4		2007-007861	R-CHIP;62Kohm,1%,1/16W,TP,1005	2	SA	
....4	MR11	2007-008015	R-CHIP;75ohm,1%,1/16W,TP,1005	12	SA	
....4		2007-008275	R-CHIP;30Kohm,1%,1/16W,TP,1005	1	SNA	
....4	ZRN10	2011-001261	R-NETWORK;33ohm,5%,1/16W,L,CHIP,8P,TP,2.	6	SA	
....4	DAR09	2011-001262	R-NETWORK;22ohm,5%,1/16W,L,CHIP,8P,TP,2.	18	SA	
....4		2011-001402	R-NETWORK;56ohm,5%,1/16W,L,CHIP,8P,TP,2.	8	SA	
....4		2011-001448	R-NETWORK;10ohm,5%,1/16W,L,4P,T,1010	8	SA	
....4		2011-001449	R-NETWORK;22ohm,5%,1/16W,L,4P,TP,1010	11	SA	
....4	DRP9	2011-001474	R-NETWORK;47ohm,5%,1/16W,L,CHIP,8P,TP,2.	1	SA	
....4		2011-001587	R-NETWORK;100ohm,5%,1/16W,L,CHIP-V,4P,TP	1	SNA	
....4	PC43	2203-000233	C-CER,CHIP;0.1nF,5%,50V,C0G,TP,1005	3	SA	
....4	MC302	2203-000425	C-CER,CHIP;.018nF,5%,50V,C0G,TP,1005	2	SA	
....4	C254	2203-000438	C-CER,CHIP;1nF,10%,50V,X7R,TP,1005	13	SA	

## 5. Exploded View &amp; Part List

Level	Location No.	Code No.	Description & Specification	Q'ty	SA/SNA	Remark
....4	C507	2203-000489	C-CER,CHIP;2.2nF,10%,50V,X7R,TP,1005	5	SA	
....4	FC04	2203-000552	C-CER,CHIP;0.02nF,5%,50V,C0G,1608	2	SNA	
....4	AD480	2203-000679	C-CER,CHIP;0.027nF,5%,50V,C0G,1005	3	SA	
....4	DC25	2203-000812	C-CER,CHIP;.033nF,5%,50V,C0G,TP,1005	1	SNA	
....4	CK40B	2203-000838	C-CER,CHIP;0.39nF,5%,50V,C0G,TP,1608	2	SNA	
....4	KFC6	2203-000872	C-CER,CHIP;0.0030nF,0.25pF,50V,C0G,1608	2	SNA	
....4	HDC5	2203-001072	C-CER,CHIP;0.056nF,5%,50V,NP0,1005	4	SA	
....4	AD480	2203-001412	C-CER,CHIP;0.03nF,5%,50V,NP0,TP,1005	3	SNA	
....4	AD480	2203-001428	C-CER,CHIP;470nF,10%,50V,X7R,TP,2012	2	SNA	
....4	AD480	2203-002285	C-CER,CHIP;10nF,10%,50V,X7R,1005	13	SNA	
....4	AD480	2203-002525	C-CER,CHIP;0.56nF,10%,50V,X7R,TP,1005	6	SNA	
....4	AAC1	2203-005249	C-CER,CHIP;100nF,10%,50V,X7R,TP,1608	13	SA	
....4	AD480	2203-005393	C-CER,CHIP;.005nF,0.1pF,50V,NP0,TP,1005	1	SNA	
....4	AD480	2203-005511	C-CER,CHIP;27nF,10%,10V,X7R,TP,1005	1	SA	
....4	AD480	2203-006126	C-CER,CHIP;47nF,10%,16V,X7R,TP,1005	24	SNA	
....4	PC11	2203-006141	C-CER,CHIP;1000nF,10%,16V,X5R,1608	4	SNA	
....4	C102	2203-006158	C-CER,CHIP;100nF,10%,16V,X7R,1005	94	SA	
....4	JC10	2203-006324	C-CER,CHIP;2200nF,10%,10V,X5R,1608	6	SA	
....4	AD480	2203-006336	C-CER,CHIP;10000nF,10%,25V,X5R,3216	14	SA	
....4	C802	2203-006348	C-CER,CHIP;1000nF,10%,25V,X5R,TP,1608	1	SA	
....4	C125	2203-006361	C-CER,CHIP;10000nF,10%,10V,X5R,TP,2012	52	SA	
....4	HE4	2203-006474	C-CER,CHIP;22000nF,20%,6.3V,X5R,2012	8	SA	
....4	HDC11	2203-006562	C-CER,CHIP;1000nF,10%,10V,X5R,TP,1005	16	SNA	
....4	AD480	2203-006824	C-CER,CHIP;4700nF,10%,10V,X5R,1608	2	SNA	
....4	AD480	2203-006992	C-CER,CHIP;0.33nF,5%,50V,C0G,TP,1005	2	SNA	
....4	T0052	2703-000158	INDUCTOR-SMD;1uH,10%,2012	3	SA	
....4	T0052	2703-000296	INDUCTOR-SMD;680nH,10%,1608	1	SA	
....4	VL6	2703-000398	INDUCTOR-SMD;10uH,10%,3225	4	SA	
....4	T0052	2703-001239	INDUCTOR-SMD;3.3uH,10%,1608	2	SA	
....4	T0052	2703-003149	INDUCTOR-SMD;2.2uH,20%,5050	2	SA	
....4	T0052	2703-003150	INDUCTOR-SMD;4.7uH,20%,5050	4	SNA	
....4	X202	2801-003326	CRYSTAL-SMD;24MHz,30ppm,28-ABX,20pF,50oh	1	SA	
....4	X202	2801-003773	CRYSTAL-SMD;12MHz,30ppm,28-AAN,20pF,50oh	1	SA	
....4	X202	2801-004004	CRYSTAL-SMD;20.25MHz,20ppm,28-AAN,13pF,2	1	SA	
....4	F103	2901-001506	FILTER-EMI SMD;5V,0.13A,0pF,2x1x0.5mm,TP	4	SA	
....4	T0568	3301-001236	BEAD-SMD;60ohm,1608	8	SNA	
....4	T0568	3301-001404	BEAD-SMD;30ohm,2012,TP,15.9OHM/30MHz	5	SA	
....4	T0568	3301-002039	BEAD-SMD;26ohm,1608,TP	37	SA	
....4	T0313	3404-001207	SWITCH-TACT;12V,50mA,160gf,6.2X6.2,SPST	1	SA	
....4		3601-001374	FUSE-SURFACE MOUNT;32V,5A,FAST-ACTING,Hi	1	SNA	
....4		3701-001591	CONNECTOR-HDMI;19P,2ROW,FEMALE,SMD-S,AU	2	SNA	
....4	AC510	3708-001150	CONNECTOR-FPC/FFC/PIC;30P,1mm,SMD-A,SN,Y	1	SA	
....4	HB01A	3711-005503	HEADER-BOARD TO CABLE;BOX,9P,1R,2mm,SMD-	1	SA	
....4		BN41-01473A	PCB MAIN;30-MFM,FR-4,4,1.2T,162x142	1	SNA	
....4		BN97-04344A	ASSY MICOM-MAIN;30-MFM,2010.04.13,T-MSXM	1	SNA	
....5		1107-001940	IC-NAND FLASH;KFG1G16U2D-HIB6,1Gbit,64Mx	1	SNA	
....4		BN97-04345A	ASSY MICOM-SUB;30-MFM,2010.04.14,T-MSXMD	1	SNA	
....5	IC520	0903-001651	IC-MICROCONTROLLER;61P802-RG480WT,LQFP,4	1	SNA	
....4	AR158	2007-000077	R-CHIP;470ohm,5%,1/10W,TP,1608	2	SA	
....4	AD480	2203-000714	C-CER,CHIP;3.3nF,10%,50V,X7R,TP,1005,-	4	SA	
....4		1203-006142	IC-DC/DC CONVERTER;BD8924G,5P,2.9x1.6x1.	1	SA	

5. Exploded View & Part List

Level	Location No.	Code No.	Description & Specification	Q'ty	SA/SNA	Remark
...4	J914	2007-000029	R-CHIP;0ohm,5%,1/8W,TP,2012	1	SC	
...4		2703-003890	INDUCTOR-SMD;47uH,10%,3225	1	SA	
...4	AD480	2203-007513	C-CER,CHIP;10000nF,10%,10V,X5R,TP,1608	2	SA	
...3	T0066	BP62-00017A	HEAT SINK-ES;SP-50L2HX,A6063S,T2.0,26.2,	1	SNA	
...3	T0066	BP62-00047A	HEAT SINK-ES;DLP,A6063S,T2.5,13,13,TAPE	2	SNA	
...3		3709-001569	CONNECTOR-CARD SLOT;68P(ULTRA SLIM 60mm)	1	SA	
...3		3722-000498	JACK-SCART;21P,SN,BLK	1	SA	
...3	JA330	3722-001061	JACK-PHONE;1P,3.6PI,AG,BLK,N	2	SA	
...3		3722-002920	JACK-USB;4P/1C,Ni/Pd/Au/Sn,BLK,STRAIGHT,	1	SA	
...3	CN906	3707-001096	CONNECTOR-OPTICAL;STRAIGHT W/L,SPDIF	1	SA	
..2	T0073	BH63-00008A	GASKET-EMI;IB10LO,CONDUCTIVE FABRIC,3MM,	1	SNA	
..2	AC352	BN63-06990A	COVER-SIDE;PLUM_MFM_23,ABS,VO,BK07,K2331	1	SNA	
..2	CS02A	BN96-14967F	ASSY SHIELD P-COVER;LS24PT,EUROPE,SECC,T	1	SNA	
...3	T0073	AA63-01413S	GASKET-EMI;42Q7,Fabric Type,2.0mm,10mm,1	2	SNA	
...3	M0131	BH63-00104A	GASKET;POSEIDON,CONDUCTIVE FABRIC,2MM,10	2	SNA	
...3		BN61-02429C	STUD-PEM;PNB,M2.8,D7,L10,ZPC(SIL),SUM24L	2	SNA	
...3		BN61-05973A	STUD-PEM;PLUM23",M4,D8,L20	2	SNA	
...3	CB11	BN61-06583A	BRACKET-SUPPORT;B2430HD,EGI-SECC,1.0	1	SNA	
...3	M0909	BN63-04498A	GASKET;PN40A450P1D,Polyurethane Sponge,1	1	SNA	
...3	T0073	BN63-04800A	GASKET-EMI;T-MFM,Fabric Type,1.5mm,20mm,	2	SNA	
...3		BN63-06982A	SHIELD-COVER;PLUM MFM 23/24,EGI-SECC,T0.	1	SNA	
...3		BN63-07393A	SHEET-PROTECTOR;30-MFM,PC SHEET,T0.43,25	1	SNA	
...3	M0114	BP61-01088A	HOLDER-WIRE;SVP-42L6,NYLON	1	SNA	
...3		BP63-00715A	GASKET-EMI,SPONGE;SP-P300M,Conductive Fa	2	SNA	
..2	FL06	BN96-12453P	ASSY CABLE P-FFC;30-MFM,FFC,JSCAWHSZ-506	1	SA	
0.1		BN91-05950A	ASSY SHIELD;LS23PT,30-MFM	1	SNA	
..2	AC352	BN63-06990A	COVER-SIDE;PLUM_MFM_23,ABS,VO,BK07,K2331	1	SNA	
..2		BN68-02998A	LABEL-STICKER;WW,PET,T0.05,55,20,30MFM L	1	SNA	
..2		BN81-01805C	A/S-TAPE-FILAMENT;ELMATIT,T0.1,W12,L1200	0.24	SNA	
..2	T0069	AA63-60002D	SPACER-FELT;-FELT,-,-,BLK,T1.0,-,330X	2	SNA	
0.1		BN92-05799A	ASSY LABEL;LS22PTDSF/EN	1	SNA	
..2	CCM1	BN68-01570A	LABEL RATING;ALL,SS,PE,T0.05,90,45,Dark	1	SNA	
0.1	ACCE1	BN92-06155A	ASSY ACCESSORY;LS22PTDSF/EN	1	SNA	
..2	T0268	3903-000452	CBF-POWER CORD;DT,EU/KR,CP3,IEC320 C13,2	1	SA	
..2	EC29	BN39-00244H	CBF SIGNAL-D-SUB TO D-SUB;D-sub cable,15	1	SA	
..2	T0074	BN59-01012A	REMOCON;TM950,SAMSUNG,20PIN SINGLE,48KEY	1	SA	
..2	M0027	BN96-12485A	ASSY STAND P-BASE;PLUM 22~24,ABS+PMMA(SF	1	SA	
...3	M0081	6003-001001	SCREW-TAPTYPE;FH,+,B,M3,L8,ZPC(BLK),SWRC	4	SNA	
...3	CIS4	BN61-01717A	HOLDER-STAND;BIZET,NI PLT,CH,+,M4,L11(5)	1	SNA	
...3		BN63-06313A	COVER-STAND BASE;PLUM23,ABS+PMMA(SF-0950	1	SNA	
...3		BN68-02482A	MANUAL FLYER-STAND;Plum,Mojo 80g,148,210	1	SNA	
...3	AR011	BN73-00077A	RUBBER FOOT;MATISSE,BUMPON,#13.5,T2.0,GR	4	SNA	
...3		BN68-02466B	LABEL-STICKER;PLUM,ALL,ART PAPER,50,10,S	1	SNA	
...3		BN61-05087A	BRACKET-STAND BOTTOM;ECOFIT 23",SECC T0.	1	SNA	
...3	CCM1	BN63-02183D	COVER-SHEET;Rhcm,PE Vinyl,T0.05,680mm,20	0.3	SNA	
..2	MASB1	BN96-12487A	ASSY STAND P-BODY;PLUM 23,ABS+PMMA(SF-09	1	SA	
...3		BN61-05969A	STAND-BAR;PLUM 23,ABS+PMMA(SF-0950),BK23	1	SNA	
...4		BN61-05970A	STAND-BAR IN;PLUM 23,ABS+PMMA(SF-0950),B	1	SNA	
....5		BN61-02932E	BRACKET-STOPPER NUT;ECOFIT 20,M4,D8,L12,	1	SNA	
...3	CCM1	BN63-02183D	COVER-SHEET;Rhcm,PE Vinyl,T0.05,680mm,20	0.1	SNA	
...3		BN68-02466C	LABEL-STICKER;PLUM,ALL,ART PAPER,50,10,S	1	SNA	

5. Exploded View & Part List

Level	Location No.	Code No.	Description & Specification	Q'ty	SA/SNA	Remark
..2	ACCE1	BN96-13948H	ASSY ACCESSORY;LS19PTDSF/EN,20,22,23,24	1	SNA	
..2	EC08	BN39-01286A	CBF SIGNAL-STEREO;3p,UL2547, Audio Stand	1	SA	
0.1		BN92-06608A	ASSY BOX;LS24PT,30-MFM	1	SNA	
..2	T0077	BH68-00329D	LABEL BAR CODE-02;NO CE,NO WT'Y,MPRII,LA	1	SNA	
..2		BH68-00659J	LABEL BOX-00;ALL MODEL,MOJO 90G,90,95,WH	1	SNA	
..2		BN69-05108A	BOX-01,SET;B2430HD,CB,A-01,SW2,YEL,W659,	1	SNA	
..2	M0245	BN96-02895A	ASSY MISC P-01,HANDLE PACKING;ALL MODEL,	1	SNA	
...3		BN66-00007A	LEVER-TOP;ALL MODEL,LDPE,WHITE,5.8g	1	SNA	
...3		BN66-00008A	LEVER-BOTTOM;ALL MODEL,LDPE,WHITE,4.01g	1	SNA	
0.1		BN92-06612A	ASSY P/MATERIAL;LS24PT,30-MFM	1	SNA	
..2		6902-001113	BAG ROLL;HDPE/HDPE/NITRON,T0.5,W700,L175	1.6	SNA	
..2		AA01-00004A	FOIL;2000,2000,NTR,SEH	1	SNA	
..2	T0527	BH68-40364A	LABEL-SUMMARY;G52,G72,ART,100G,WHT,BLK,W	1	SNA	
..2	T0527	BN68-00129A	LABEL SHIPPING-00;LABEL SHIPPING,ART-PAP	1	SNA	
..2		BN69-01438A	PALLET-WOODEN;LS17TRT(HAS),WOOD,1335,940	1	SNA	
..2		BN69-02114A	PAD PACKING-EDGE;CB,B800,W200,L2200,YEL,	1	SNA	
..2		BN69-03934A	WRAP STRETCH FILM;All,HDPE,0.012,500,300	1.2	SNA	
..2		BN69-04980A	CUSHION-01,SET;PLUM MFM 24,EPS	1	SNA	
..2		BN81-02321A	BAG-AIR;LIGHT FLEX PLASTIK,PE WHITE,L120	1	SNA	
..2		HA83-00057B	LP-TAPE-CELLULOSE;,HA02-030010,T0,046,W7	1.6	SNA	