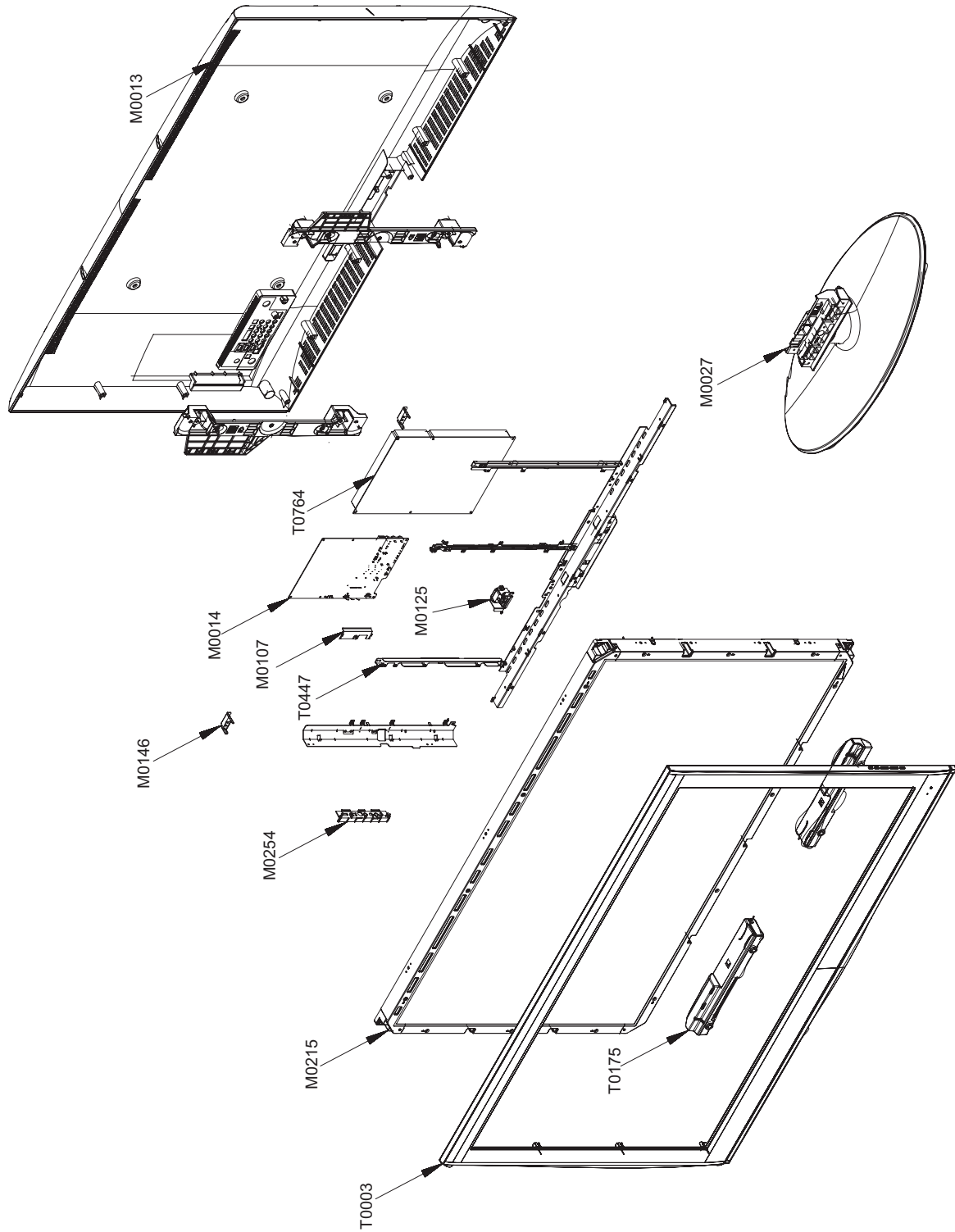


5-5. LE52A577P2MXZF Exploded View



5-5-1. LE52A577P2MXZF Parts List

Location No.	Code No.	Description & Specification	Q'ty	S.A/S.N.A	Remark
T0003	BN96-06929D	ASSY COVER P-FRONT;52L557P2,EO(FRANCE),A	1	S.A	
T0175	BN96-06809C	ASSY SPEAKER P;8ohm,L550 P2/P3 52",Down	1	S.A	
M0215	BN07-00522A	LCD-PANEL;LTF520HB01	1	S.A	
T0447	BN96-07390A	ASSY BRACKET P-PANEL;52L550,P2,P3,P4,EO,	1	S.N.A	
M0115	BN61-03790A	BRACKET-STAND LINK;AMBER 46,SECC,T1.6,-,	1	S.N.A	
M0107	BN63-03039A	SHIELD-COVER;MURANO40,PCM,T0.5,IDTV	1	S.N.A	
M0254	BN61-02875E	HOLDER-SIDE AV;40F8,EO,HIPS V0,-,-,BK5	1	S.N.A	
M0014	BN94-01812E	ASSY PCB MAIN;LE52A566P1MXZF	1	S.A	
M0013	BN94-01812E	ASSY PCB MAIN;LE52A566P1MXZF	1	S.A	
M0027	BN96-06937A	ASSY STAND P-BASE;52L550P2,W/W,ABS+PMMA,	1	S.A	