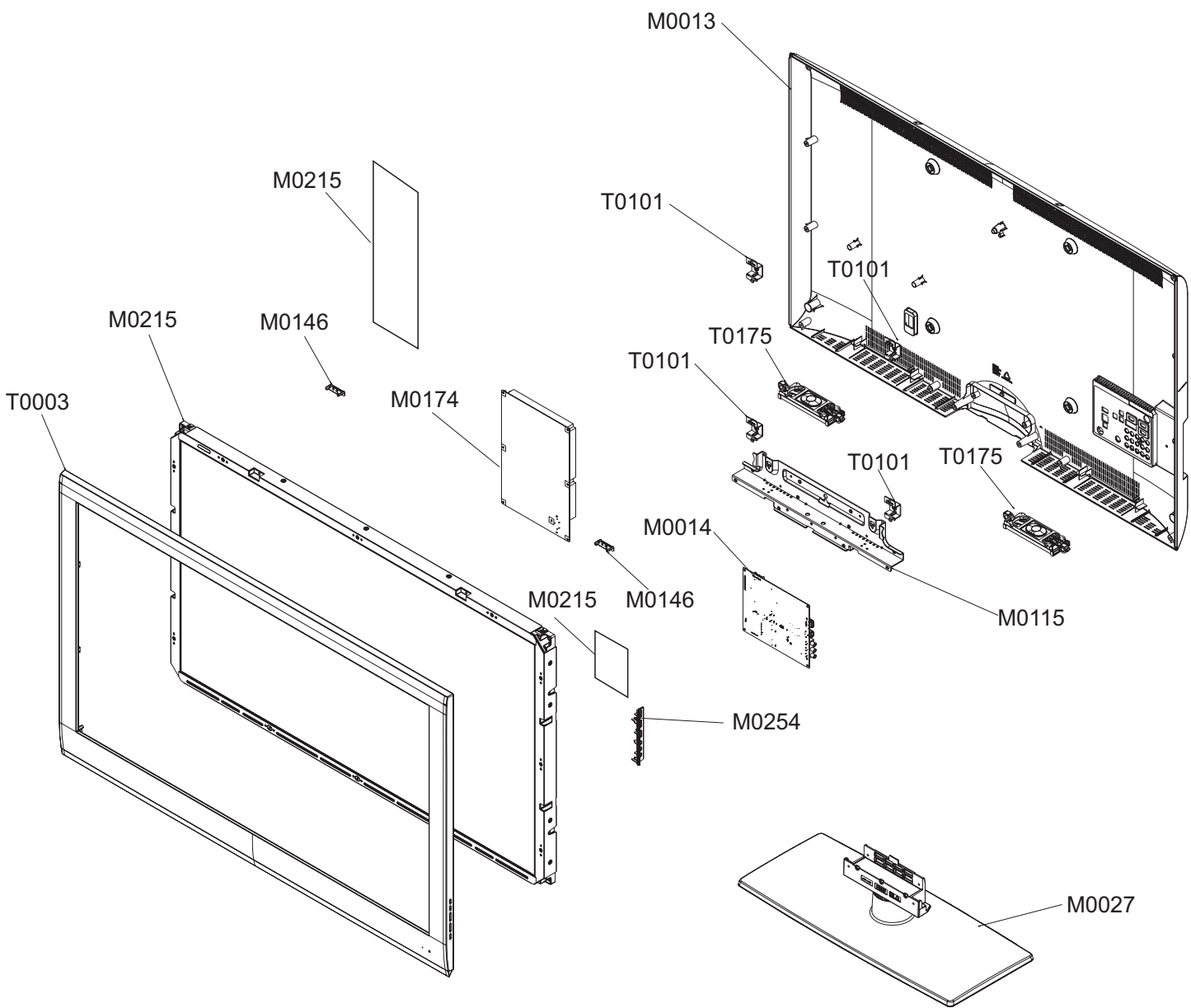


5-4. LE46B53***Exploded View



5-4-1. LE46B53* Parts List**

Location No.	Code No.	Description & Specification	Q'ty	S.A/S.N.A	Remark
T0003	BN96-09661B	ASSY COVER P-FRONT;LB530 46,EO,ABS+PMMA,	1	S.A	
M0013	BN96-09717A	ASSY COVER P-REAR;LB530 46,EO,HIPS,HB,BK	1	S.A	
M0215	BN07-00668A BN07-00647A	LCD-PANEL;V460H1-L06 LCD-PANEL;V260B3-L02	1	S.A	
M0215	BN81-02394A	A/S-T CON V460H1-L06;V460H1-L06	1	S.N.A	
M0146	BN61-03414A	BRACKET-PANEL TOP;PEONY52,SECC T1.2	2	S.A	
M0014	BN94-02519D	ASSY PCB MAIN;LE46B530P7WXXC	1	S.A	
M0254	BN61-04799A	HOLDER-SIDE AV;B450/B530,HIPS,HB,BK500,1	1	S.N.A	
T0175	BN96-09463D	ASSY SPEAKER P;8ohm,4pin,10W,R:250/ L:70	1	S.A	
M0115	BN61-04788A	BRACKET-STAND LINK;46, B610,SECC,T1.6	1	S.N.A	
T0101	BN61-04817A	BRACKET-WALL;46, B610,SECC,T1.6	4	S.N.A	
M0027	BN96-09837A	ASSY STAND P-BASE;LB530 46,ABS+PMMA,HB,B	1	S.A	