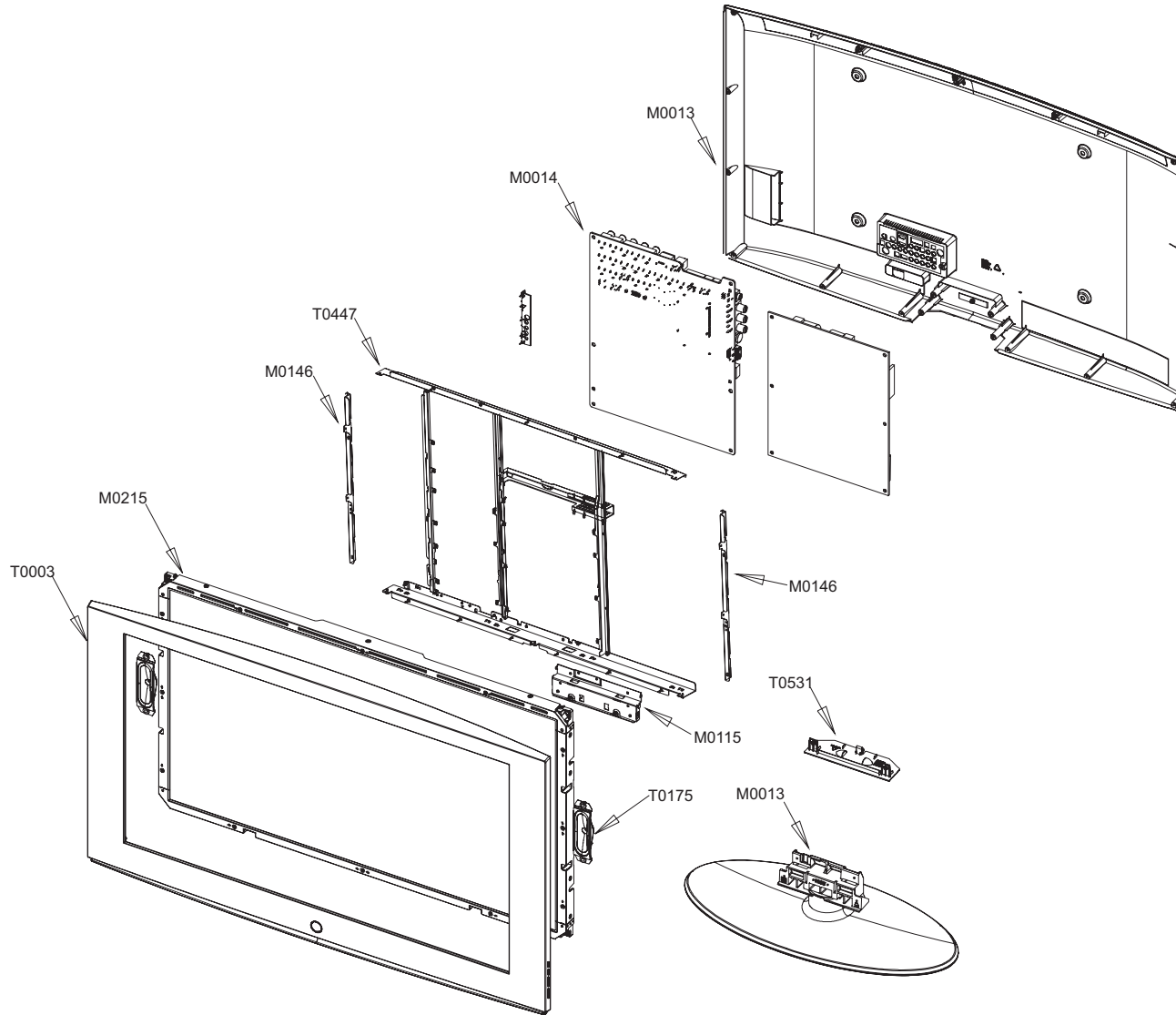


### 5-7 LE40S81BX Exploded View



**5-8 LE40S81BX Parts list**

Location	Code.No	Item & Specification	Q'ty	SA/SNA	Remark
T0003	BN96-04753C	ASSY COVER P-FRONT;40S86,EO,ABS+PMMA,HB,	1	S.A	
T0175	BN96-04770B	ASSY SPEAKER P;8ohm,4pin,10W,600/1250mm,	1	S.A	
M0215	BN07-00370A	LCD-PANEL;T400XW02,8bit,40inch,16.7M,16:	1	S.A	
T0447	BN96-04679A	ASSY BRACKET P-PANEL,BORDEAUX PLUS40	1	S.N.A	
M0146	BN61-02256B	BRACKET-PANEL SIDE;Bordeaux 40,SECC,T1.2	1	S.N.A	
M0146	BN61-02257B	BRACKET-PANEL SIDE;Bordeaux 40,SECC,T1.2	1	S.N.A	
T0531	BN63-03127B	COVER-BOTTOM;37,40S81,HIPS,-,-,HB,-,BK	1	S.A	
M0115	BN61-02882A	BRACKET-STAND LINK;TULIP,40,SECC,T1.6,-,	1	S.N.A	
M0014	BN94-01193D	ASSY PCB MAIN;LE40S86BDX/*	1	S.A	
M0013	BN96-04754A	ASSY STAND P-BASE;37,40S81,ABS+PMMA,HB,B	1	S.A	
M0013	BN96-04822B	ASSY COVER P-REAR;40S86,EO,HIPS,HB,BK500	1	S.A	