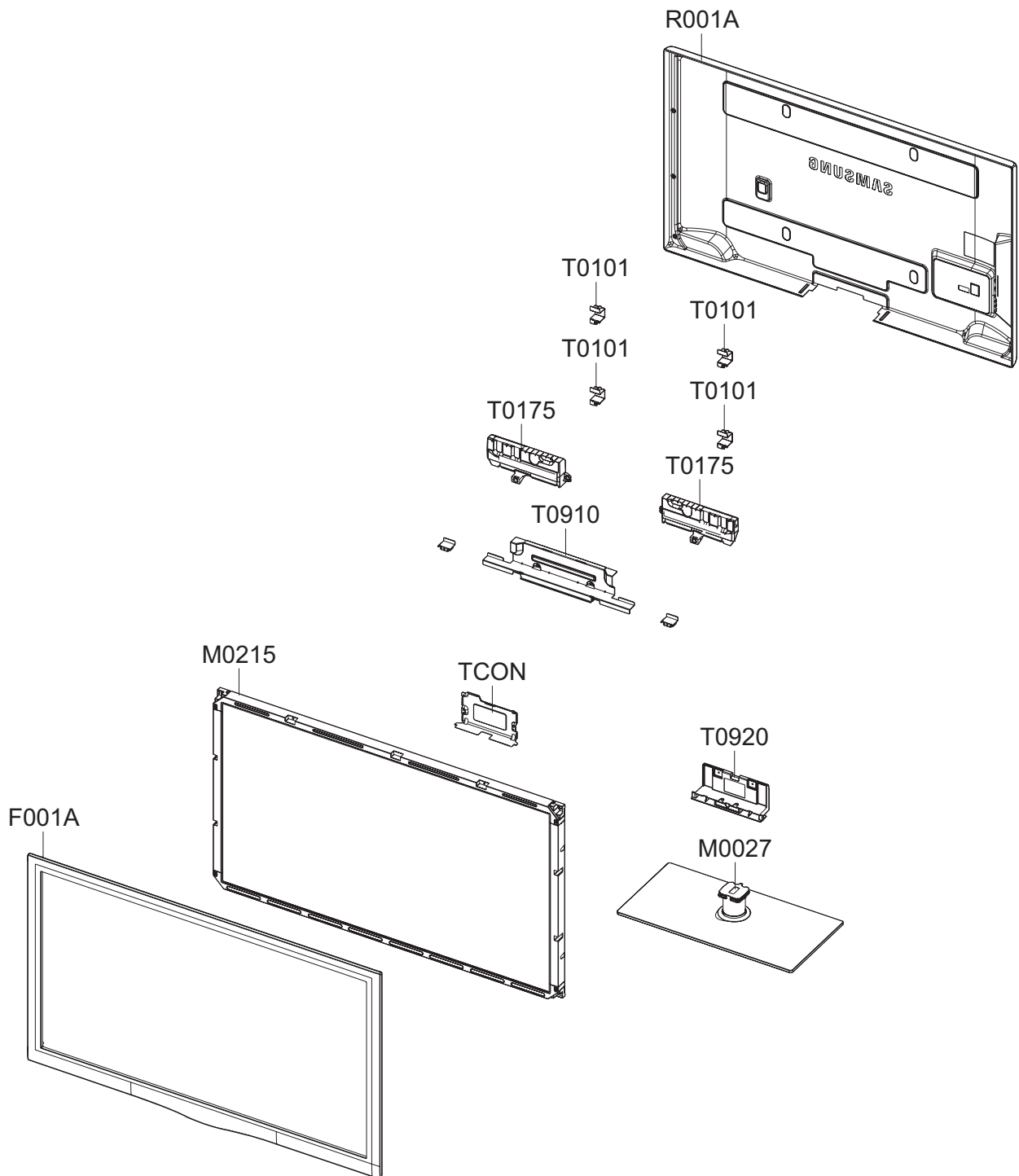


## 5. Exploded View & Part List

### 5-1. LE40C630K1W Exploded View



**5-2. LE40C630K1W Parts List**

Location No.	Code No.	Description & Specification	Q'ty	SA/SNA	Remark
F001A	BN96-12772B	ASSY COVER P-FRONT;40,LC630,EO,PC+PC,V2,	1	SA	
M0027	BN96-12762B	ASSY STAND P-BASE;37,40,EXPORT,TEMPERED	1	SA	
PANEL	BN07-00821A	LCD-PANEL;V400H1-LH9,CM40H19,10bits,40,1	1	SA	
R001A	BN96-12767D	ASSY COVER P-REAR;40,LC650,EO,PCMT0.5,BL	1	SA	
T0101	BN61-05996A	BRACKET-WALL;LC650 40,SECC,T1.2	4	SNA	
T0175	BN96-12837A	ASSY SPEAKER P;6ohm,4pin,10W,L:570 R:250	1	SA	
T0910	BN96-13342A	ASSY BRACKET P-STAND LINK;LC530 37/40/46	1	SNA	
T0920	BN61-06003A	GUIDE-STAND;37,40,46,LC650,PC+G/F,20%,V2	1	SNA	
TCON	BN81-04463A	A/S-T CON V400H1-LH9;V400H1-LH9	1	SA	

## 5-2-1. LE40C630K1W Parts List

Service Bom (SA: SERVICE AVAILABLE, SNA: SERVICE NOT AVAILABLE)

Level	Location No.	Code No.	Description & Specification	Q'ty	SA/SNA	Remark
0.1	S001A	BN90-02443D	ASSY STAND;37,40,LC650,W/W,1COAT,BLACK	1	SNA	
..2	M0027	BN96-12762B	ASSY STAND P-BASE;37,40,EXPORT,TEMPERED	1	SA	
...3	M0081	6003-001003	SCREW-TAPTYPE;BH,+,B,M4,L12,ZPC(BLK),SWR	6	SA	
...3		BN61-04692A	BOSS-PRIMER,#94,clear,35cps	0.1	SNA	
...3		BN61-04731D	BOSS-TAPE;AMBER,ACRYL,T1.1,W20.0mm,WHITE	0.29	SNA	
...3		BN61-05244A	BRACKET-SWIVEL BOTTOM;LB700 46,HGI,T3.0	1	SNA	
...3		BN61-05493A	HOLDER-SWIVEL RING BOTTOM;LB650 40,Aceta	1	SNA	
...3		BN61-05652A	BRACKET-STAND BOTTOM;B650 40,SECC,T2.0	1	SNA	
...3		BN61-05826A	BOSS-BOND;#760,Poly urethane,Black	2.6	SNA	
...3	GSN01	BN61-05994A	GUIDE-STAND NECK;40,LC650,PETG,V2,TP0003	1	SNA	
...4		0103-007257	RESIN-PETG;ECOZEN-SE,NP01,TP0003,3.2 V2,	150	SNA	
...4		BN61-06079A	GUIDE-NECK-INSERT;40,LC650,PETG,HB,TP000	1	SNA	
...3	CCM1	BN63-04755A	COVER-SHEET;AMBER,PE,T0.05,W150mm,200M,6	1.14	SNA	
...3		BN63-05781C	COVER-STAND GLASS;37,40,LB650,GLASS,T8.0	1	SNA	
...3	T0527	BN68-00513A	LABEL-E,PASS;ALL MODEL,YUPO(110G),50X15,	1	SNA	
...3	T0527	BN68-01648B	LABEL WARNING;WW,PET,T0.05,40,25,EXPORT	1	SNA	
...3	M0126	BN73-00215A	RUBBER-FOOT;40LB650,RUBBER,15*25,60,4.0,	4	SNA	
...3	M0126	BN73-00217A	RUBBER-FOOT;LB650,RUBBER,DIA30,7.5,Dark	4	SNA	
...3		BN74-00031A	GREASE;kanto-kasei FL-955,grease,wht	0.4	SNA	
...3	FD01	BN63-06913A	COVER-DECORATION;LB7000 46,ABS+PMMA,HB,H	1	SNA	
...4		0103-005096	RESIN-ABS;HB,ABS+PMMA	13	SNA	
..2	SG03A	BN96-12795D	ASSY STAND P-GUIDE;37,40,46,LC650,W/W,PC	1	SA	
...3	T0920	BN61-06003A	GUIDE-STAND;37,40,46,LC650,PC+G/F,20%,V2	1	SNA	
...4		0103-007285	RESIN-PC;BK0007,2.0 V2,PC/GF20%,Glass fi	478	SNA	
...3	T0527	BN68-00513A	LABEL-E,PASS;ALL MODEL,YUPO(110G),50X15,	1	SNA	
...3		BN68-02766B	MANUAL FLYER-STAND GUIDE;L550~L750,SAMSU	1	SNA	
...3		BN96-12031G	ASSY ACCESSORY-SCREW;10 LCD-TV,6003-0010	1	SNA	
...4	M0081	6003-001003	SCREW-TAPTYPE;BH,+,B,M4,L12,ZPC(BLK),SWR	9	SA	
...4	T0524	6902-000341	BAG PE;LDPE,T0.05,L90,W70,TRP,,,PE MARK	1	SNA	
...3	T0524	6902-001063	BAG PE;LDPE,T0.05,W180,L350,TRP,RECYCLE	1	SNA	
0.1	R001A	BN90-02448D	ASSY COVER REAR;40,LC650,EO	1	SNA	
..2	M0081	6003-001003	SCREW-TAPTYPE;BH,+,B,M4,L12,ZPC(BLK),SWR	11	SA	
..2	R001A	BN96-12767D	ASSY COVER P-REAR;40,LC650,EO,PCMT0.5,BL	1	SA	
...3	R001	BN63-06393B	COVER-REAR;40,LC650/630,EO,PCM,T0.5,BLK,	1	SNA	
...3	T0071	BN64-01227A	INLAY-TERMINAL;LC650 40,PS SHEET,T0.5,eu	1	SNA	
...3		BN64-01269A	INLAY-AV;LC650,PS SHEET,T0.5,EO	1	SNA	
...3	T0139	BN65-00003A	CLAMPER BAG;42C7,LDPE,HB,BLK	1	SNA	
...3		BN60-00162X	SPACER-FOAM;FOAM,30000mm,Dark Gray,1T,15	1.65	SNA	
...3	AH358	BN61-06545A	HOLDER-REAR;LC650 37/40/46,PP,BLK	1	SNA	
..2	T0382	BP61-00495C	HOLDER-CARE;PJT,ACRYL-FOAM,T0.25,W30.0mm	0.1	SNA	
0.1		BN90-02453B	ASSY COVER FRONT;40,LC630,EO	1	SNA	
..2	F001A	BN96-12772B	ASSY COVER P-FRONT;40,LC630,EO,PC+PC,V2,	1	SA	
...3	AB326	BN61-04661A	BRACKET-STOPPER;L650,SK-5,T0.4,Plating,H	5	SNA	
...3	CCM1	BN63-05199B	COVER-SHEET;AMBER,PE,T0.08,W65mm,200M,CL	1.01	SNA	
...3	CCM1	BN63-05199C	COVER-SHEET;AMBER,PE,T0.08,W55mm,200M,CL	2.26	SNA	
...3	F001	BN63-06327B	COVER-FRONT;40,LC630,EO,PC+PC,V2,TP0010+	1	SNA	
...4		0103-007268	RESIN-PC;TP0010,2.0V0,NH PC,NH PC 2.0 V2	511	SNA	
...4		0103-007269	RESIN-PC;GY0132,2.0V0,NH PC,NH PC 2.0 V2	466	SNA	

5. Exploded View & Part List

Level	Location No.	Code No.	Description & Specification	Q'ty	SA/SNA	Remark
...3		BN96-12777B	ASSY HOLDER P-BOSS BOTTOM;40,LC630,ABS,H	1	SNA	
...4		BN61-04731A	BOSS-TAPE;AMBER,ACRYL,T1.1,W8.0mm,WHITE	0.43	SNA	
...4		BN61-06075B	HOLDER-BOSS BOTTOM;40,LC630,ABS,HB,WT003	1	SNA	
....5		0103-004618	RESIN-ABS;WT0034,HB,ABS,High Flow ABS	110	SNA	
...3		BN74-00052A	TAPE-PAPER;LB530,Crepe Paper,0.17mm, 10m	0.05	SNA	
...3	M0125	BN96-13451B	ASSY BOARD P-TOUCH FUNCTION&IR;LN32C550J	1	SA	
...3		BN60-00163C	SPACER-FOAM;LC650-40",FOAM,500,0.5,25,Bo	2	SNA	
...3		BN60-00163H	SPACER-FOAM;LC650-40",FOAM,890,T 0.5,20,	1	SNA	
..2	T0175	BN96-12837A	ASSY SPEAKER P;6ohm,4pin,10W,L:570 R:250	1	SA	
0.1	M0017	BN91-05027P	ASSY CHASSIS;LE40C630K1WX*	1	SNA	
..2		BN94-02747Q	ASSY PCB MAIN-CNE;LE40C630K1WX*	1	SA	
...3		0202-001608	SOLDER-WIRE FLUX;LFC7-107,D0.8,99.3Sn/0.	1	SNA	
...3		3701-001480	CONNECTOR-DSUB;15P,3R,FEMAIL,STAMPED PIN	1	SA	
...3	CN906	3707-001096	CONNECTOR-OPTICAL;STRAIGHT W/L,SPDIF	1	SA	
...3		3709-001601	CONNECTOR-CARD SLOT;68P W/L, 1.27mm,PCMCII	1	SA	
...3		3711-007302	HEADER-BOARD TO BOARD;BOX,18P,2R,2mm,ANG	1	SA	
...3		3722-003037	JACK-USB;4P/1C W/L,AU/NI,BLK,ANGLE,A	2	SA	
...3	JA330	3722-003038	JACK-PHONE;7P/1C W/L,SN,BLK	2	SA	
...3	JA333	3722-003040	JACK-PIN;3P W/L,SN,BLK/YEL/WHT/RED,ANGLE	1	SA	
...3	JA333	3722-003052	JACK-PIN;5P+Shield W/L,NI/SN,GN/BL/RD/WH	1	SA	
...3		3722-003058	JACK-MODULAR;8P/8C W/L,Y,STRAIGHT,N,AU,1	1	SA	
...3		3722-003063	JACK-SCART;42P W/L,SN,BLK	1	SA	
...3	CIS3	BN40-00173A	TUNER;DTOS40CVL081A,DVB-T/C,164CH,38.9MH	1	SA	
...3		BN97-04061Q	ASSY SMD;LE40C630K1WX*,BN94-02747Q	1	SNA	
...4		0202-001767	SOLDER-CREAM;LST-5710,D20~38,Sn-57Bi-1Ag	2.8	SNA	
...4	DS01A	0401-001056	DIODE-SWITCHING;MMBD4148SE,100V,200mA,SO	19	SA	
...4		0403-001180	DIODE-ZENER;BZX84C6V2,5.8-6.6V,350mW,SOT	5	SA	
...4		0403-001783	DIODE-ZENER;BZB84-C6V2,5.8/6.6V,300mW,SO	22	SNA	
...4	D0254	0404-001404	DIODE-SCHOTTKY;BAT721C,40V,200mA,SOT-23,	4	SA	
...4	T0139	0406-001200	DIODE-TVS;RCLAMP0504F,6/-/V,150W,SC-70	2	SA	
...4	T0139	0406-001271	DIODE-TVS;RCLAMP0524P,6/-/V,150W,SLP251	9	SNA	
...4	Q101	0501-000445	TR-SMALL SIGNAL;KTC3875S-Y,NPN,150mW,SOT	12	SA	
...4		0501-000669	TR-SMALL SIGNAL;KTA1505Y,PNP,150mW,SOT-2	2	SA	
...4	PQ02	0501-002080	TR-SMALL SIGNAL;2SC2412K,NPN,200mW,SC-59	2	SA	
...4	CEQ2	0505-000110	FET-SILICON;2N7002,N,60V,115mA,7.5ohm,0.	1	SA	
...4	Q409	0505-000274	FET-SILICON;AO4435L,P,-30V,-11A,0.014ohm	1	SNA	
...4	IC104	0801-002630	IC-CMOS LOGIC;74AHCT1G08,2-INPUT AND GAT	1	SA	
...4	ND51C2	0801-002780	IC-CMOS LOGIC;74LVC1G17,SCHMITT-TRIGGER	1	SA	
...4	IC104	0801-003330	IC-CMOS LOGIC;Octal buffer,DQFN,20P,4.5x	2	SA	
...4	IC104	0802-001012	IC-CMOS LOGIC;74LCX245,TRANSCEIVER,DQFN,	1	SNA	
...4	IC106	1001-001177	IC-VIDEO SWITCH;TEA6425D,VIDEO SWITCH,SO	1	SA	
...4	IC106	1001-001573	IC-VIDEO SWITCH;SiI9287BCNUTR,QFN,72P,10	1	SNA	
...4	IC107	1002-001482	IC-D/A CONVERTER;WM8521H9GED/R,16bit,SOI	1	SA	
...4	IC112	1103-001310	IC-EEPROM;24LC02B,256X8BIT,SOIC,8P,3.91X	2	SNA	
...4	IC112	1103-001475	IC-EEPROM;M24256-BR,256Kbit,32Kx8,SOP,8P	1	SNA	
...4		1105-001931	IC-DDR2 SDRAM;K4T51163Q,DDR2-800,512Mbit	2	SA	
...4		1105-002058	IC-DDR2 SDRAM;K4T1G164QE-HCF8,DDR2,1Gbit	2	SA	
...4		1105-002075	IC-DDR2 SDRAM;K4T1G084QE-HCF8,DDR2,1Gbit	4	SA	
...4	T0085	1201-002487	IC-AUDIO AMP;MAX9728A,QFN,12P,3x3mm,DUAL	1	SA	
...4	T0124	1201-002992	IC-POWER AMP;STA369BWS,PSSO,36P,10.3x7.5	1	SA	
...4	T0087	1203-002519	IC-POSIFIXED REG.;KIA7809AF,DPAK,3P,240	1	SA	

## 5. Exploded View &amp; Part List

Level	Location No.	Code No.	Description & Specification	Q'ty	SA/SNA	Remark
...4	IC012	1203-003544	IC-POSI.ADJUST REG.;RT9173BPS,SOP-8,8P,5	1	SA	
...4		1203-004363	IC-VOL. DETECTOR;RT9818C-29PV,SOT-23,3P,	1	SA	
...4		1203-006012	IC-DC/DC CONVERTER;MP8725EL,QFN14,14P,3x	1	SA	
...4		1203-006017	IC-VOL. DETECTOR;RT9824GJ8,TSOT23,8P,2.9	1	SA	
...4		1203-006104	IC-DC/DC CONVERTER;MP8707EN,SOIC8E,8P,4.	3	SA	
...4	T0087	1203-006109	IC-POSI.FIXED REG.;S-1206B33-M3T1G,SOT-2	1	SA	
...4	T0087	1203-006141	IC-POSI.FIXED REG.;S-1172B33-U5T1G,SOT-8	2	SA	
...4		1203-006142	IC-DC/DC CONVERTER;BD8924G,5P,2.9x1.6x1.	1	SA	
...4		1203-006167	IC-POSI.FIXED REG.;S-1172B12-U5T1G,SOT-8	1	SA	
...4	IC118	1204-003085	IC-VIDEO PROCESS;SDP91-PS,PBGA,496P,23x2	1	SA	
...4		1204-003100	IC-DECODER;SDP92,FCPBGAH,937P,35x35mm,PL	1	SA	
...4	IC118	1204-003101	IC-VIDEO PROCESS;SDP94,PBGA,345P,19x19mm	1	SNA	
...4		1205-003201	IC-BUS SWITCH;TC7WB125FK,SSOP,8P,2x2.3mm	1	SA	
...4		1205-003479	IC-SWITCH;TPS2051BDBVR,SOT-23,5P,2.9x1.6	1	SA	
...4		1205-003733	IC-SWITCH;AP2191MPG-13,MSOP-8L-EP,8P,2.9	1	SA	
...4		1205-003735	IC-SWITCH;AP2151WG-7,SOT25,5P,2.9x1.6mm,	1	SA	
...4		1205-003834	IC-ETHERNET CONTROLLER;RTL8201E-VC-GR,QF	1	SA	
...4		1205-003840	IC-CODEC;WM8595GEFL/RS,QFN,48P,7x7x0.9mm	1	SA	
...4		1405-001185	VARISTOR;24Vdc,1.6x0.8x0.36mm,TP	1	SA	
...4		1405-001233	VARISTOR;30Vdc,5A,1.6x0.8x0.8mm,TP	32	SA	
...4	MR604	2007-000137	R-CHIP;2Kohm,5%,1/16W,TP,1005	14	SNA	
...4	R105	2007-000138	R-CHIP;100ohm,5%,1/16W,TP,1005	30	SA	
...4	AR49	2007-000140	R-CHIP;1Kohm,5%,1/16W,TP,1005	32	SNA	
...4	MR306	2007-000141	R-CHIP;2.2Kohm,5%,1/16W,TP,1005	5	SNA	
...4	R319	2007-000143	R-CHIP;4.7Kohm,5%,1/16W,TP,1005	53	SNA	
...4		2007-000146	R-CHIP;6.8Kohm,5%,1/16W,TP,1005	2	SNA	
...4	R104	2007-000148	R-CHIP;10Kohm,5%,1/16W,TP,1005	21	SA	
...4	R102	2007-000149	R-CHIP;12Kohm,5%,1/16W,TP,1005	1	SA	
...4	MR36	2007-000153	R-CHIP;22Kohm,5%,1/16W,TP,1005	6	SNA	
...4	AR43	2007-000155	R-CHIP;27Kohm,5%,1/16W,TP,1005	3	SNA	
...4	MR13	2007-000157	R-CHIP;47Kohm,5%,1/16W,TP,1005	17	SNA	
...4	DR39	2007-000162	R-CHIP;100Kohm,5%,1/16W,TP,1005	14	SNA	
...4	R509	2007-000170	R-CHIP;1Mohm,5%,1/16W,TP,1005	4	SNA	
...4	R111	2007-000171	R-CHIP;0ohm,5%,1/16W,TP,1005	65	SNA	
...4	HDR17	2007-000172	R-CHIP;10ohm,5%,1/16W,TP,1005	6	SNA	
...4	R338	2007-000173	R-CHIP;22ohm,5%,1/16W,TP,1005	41	SNA	
...4	UR23	2007-000174	R-CHIP;47ohm,5%,1/16W,TP,1005	5	SNA	
...4		2007-000231	R-CHIP;1.3Kohm,1%,1/10W,TP,1608	2	SA	
...4	MR39	2007-000242	R-CHIP;1.5Kohm,5%,1/16W,TP,1005	1	SNA	
...4	UR53	2007-000305	R-CHIP;10Mohm,5%,1/10W,TP,1608	1	SA	
...4	HR12	2007-000591	R-CHIP;22ohm,1%,1/10W,TP,1608	1	SNA	
...4		2007-000606	R-CHIP;240ohm,1%,1/10W,TP,1608	2	SA	
...4	JR11	2007-000614	R-CHIP;24Kohm,1%,1/10W,TP,1608	2	SNA	
...4	R945	2007-000726	R-CHIP;300ohm,1%,1/10W,TP,1608	1	SA	
...4	R19	2007-000763	R-CHIP;330ohm,1%,1/10W,TP,1608	1	SNA	
...4	R124	2007-000775	R-CHIP;33Kohm,5%,1/16W,TP,1005	1	SNA	
...4	DR37	2007-000932	R-CHIP;470ohm,5%,1/16W,TP,1005	2	SNA	
...4		2007-000946	R-CHIP;47ohm,1%,1/10W,TP,1608	4	SA	
...4	OTR1	2007-001292	R-CHIP;33ohm,5%,1/16W,TP,1005	12	SNA	
...4		2007-001295	R-CHIP;39ohm,5%,1/16W,TP,1005	1	SNA	
...4	CER07	2007-001308	R-CHIP;200ohm,5%,1/16W,TP,1005	1	SNA	

5. Exploded View & Part List

Level	Location No.	Code No.	Description & Specification	Q'ty	SA/SNA	Remark
...4	R326	2007-001325	R-CHIP;3.3Kohm,5%,1/16W,TP,1005	5	SNA	
...4		2007-001333	R-CHIP;18Kohm,5%,1/16W,TP,1005	4	SNA	
...4		2007-001335	R-CHIP;36Kohm,5%,1/16W,TP,1005	4	SA	
...4	PR24	2007-002970	R-CHIP;56ohm,5%,1/16W,TP,1005	5	SA	
...4		2007-003022	R-CHIP;62ohm,5%,1/16W,TP,1005	17	SNA	
...4	R133	2007-007004	R-CHIP;12Kohm,1%,1/10W,TP,1608	2	SA	
...4		2007-007008	R-CHIP;300ohm,5%,1/16W,TP,1005	1	SNA	
...4	TR30	2007-007009	R-CHIP;75ohm,5%,1/16W,TP,1005	2	SA	
...4	R365	2007-007107	R-CHIP;100Kohm,1%,1/16W,TP,1005	3	SNA	
...4		2007-007132	R-CHIP;15Kohm,1%,1/16W,TP,1005	1	SA	
...4		2007-007136	R-CHIP;4.7Kohm,1%,1/16W,TP,1005	6	SNA	
...4		2007-007137	R-CHIP;1.2Kohm,1%,1/16W,TP,1005	1	SA	
...4	DR4	2007-007142	R-CHIP;10Kohm,1%,1/16W,TP,1005	11	SNA	
...4		2007-007156	R-CHIP;1ohm,5%,1/16W,TP,1005	6	SNA	
...4		2007-007197	R-CHIP;3.3ohm,5%,1/16W,TP,1005	1	SNA	
...4		2007-007239	R-CHIP;31.6Kohm,1%,1/10W,TP,1608	1	SNA	
...4		2007-007306	R-CHIP;100ohm,1%,1/16W,TP,1005	17	SNA	
...4		2007-007309	R-CHIP;12Kohm,1%,1/16W,TP,1005	1	SA	
...4		2007-007318	R-CHIP;1Kohm,1%,1/16W,TP,1005	30	SNA	
...4		2007-007469	R-CHIP;110ohm,1%,1/16W,TP,1005	1	SNA	
...4	HDR44	2007-007470	R-CHIP;7.5Kohm,1%,1/16W,TP,1005	2	SNA	
...4		2007-007617	R-CHIP;2.49Kohm,1%,1/10W,TP,1608	1	SA	
...4		2007-007698	R-CHIP;5.1Kohm,1%,1/16W,TP,1005	2	SNA	
...4		2007-007724	R-CHIP;40.2ohm,1%,1/10W,TP,1608	2	SA	
...4		2007-007730	R-CHIP;6.8Mohm,1%,1/10W,TP,1608	1	SA	
...4		2007-007947	R-CHIP;36ohm,1%,1/10W,TP,1608	1	SA	
...4	MR11	2007-008015	R-CHIP;75ohm,1%,1/16W,TP,1005	21	SNA	
...4		2007-008134	R-CHIP;12.4Kohm,1%,1/16W,TP,1005	1	SC	
...4		2007-008263	R-CHIP;3Kohm,1%,1/16W,TP,1005	1	SA	
...4		2007-008391	R-CHIP;6.34Kohm,1%,1/16W,TP,1005	1	SA	
...4		2007-008811	R-CHIP;1.5ohm,5%,1/16W,TP,1005	1	SA	
...4		2007-009853	R-CHIP;1.6Kohm,1%,1/16W,TP,1005	1	SNA	
...4		2011-001015	R-NETWORK;1Kohm,5%,1/16W,L,CHIP,8P,TP,3.	4	SC	
...4	ZRN10	2011-001261	R-NETWORK;33ohm,5%,1/16W,L,CHIP,8P,TP,2.	5	SA	
...4	DAR09	2011-001262	R-NETWORK;22ohm,5%,1/16W,L,CHIP,8P,TP,2.	29	SA	
...4		2011-001264	R-NETWORK;10ohm,5%,1/16W,L,CHIP,8P,TP,2.	6	SNA	
...4		2011-001345	R-NETWORK;10Kohm,5%,1/16W,L,CHIP,8P,TP,2	2	SA	
...4	DRP29	2011-001396	R-NETWORK;4.7Kohm,5%,1/16W,L,CHIP,8P,TP,	2	SA	
...4		2011-001427	R-NETWORK;0ohm,5%,1/16W,L,CHIP,8P,TP,2.0	3	SA	
...4		2011-001448	R-NETWORK;10ohm,5%,1/16W,L,4P,T,1010	16	SA	
...4		2011-001449	R-NETWORK;22ohm,5%,1/16W,L,4P,TP,1010	12	SA	
...4		2011-001497	R-NETWORK;470ohm,5%,1/16W,L,CHIP,4P,TP,1	3	SNA	
...4		2011-001527	R-NETWORK;4.7Kohm,5%,1/16W,L,CHIP,4P,TP,	1	SNA	
...4		2011-001589	R-NETWORK;0ohm,5%,1/16W,L,CHIP-V,4P,TP,1	1	SNA	
...4	C24	2203-000041	C-CER,CHIP;0.01nF,0.25pF,50V,C0G,1608	1	SA	
...4	AC1	2203-000125	C-CER,CHIP;1.2nF,10%,50V,X7R,TP,1608,-	4	SA	
...4	PC43	2203-000233	C-CER,CHIP;0.1nF,5%,50V,C0G,TP,1005	7	SA	
...4	DC54	2203-000278	C-CER,CHIP;.01nF,0.5pF,50V,C0G,TP,1005	2	SA	
...4	RC34	2203-000280	C-CER,CHIP;0.01nF,0.5pF,50V,C0G,1608	1	SA	
...4	C3	2203-000384	C-CER,CHIP;0.015nF,5%,50V,C0G,1608	2	SNA	
...4	C304	2203-000405	C-CER,CHIP;0.18nF,5%,50V,C0G,1608	1	SNA	

## 5. Exploded View &amp; Part List

Level	Location No.	Code No.	Description & Specification	Q'ty	SA/SNA	Remark
...4	MC302	2203-000425	C-CER,CHIP;.018nF,5%,50V,C0G,TP,1005	9	SA	
...4	C254	2203-000438	C-CER,CHIP;1nF,10%,50V,X7R,TP,1005	12	SA	
...4	V1233	2203-000575	C-CER,CHIP;220nF,10%,25V,X7R,TP,2012	8	SNA	
...4	ZC14	2203-000626	C-CER,CHIP;0.022nF,5%,50V,C0G,1608	2	SNA	
...4	MC9	2203-000627	C-CER,CHIP;.022nF,5%,50V,C0G,TP,1005	1	SNA	
...4	AD480	2203-000679	C-CER,CHIP;0.027nF,5%,50V,C0G,1005	4	SA	
...4	DC25	2203-000812	C-CER,CHIP;.033nF,5%,50V,C0G,1005	12	SA	
...4	CK40B	2203-000838	C-CER,CHIP;0.39nF,5%,50V,C0G,TP,1608	2	SNA	
...4	C132	2203-000854	C-CER,CHIP;0.039nF,5%,50V,C0G,1005	1	SA	
...4	AC124	2203-000998	C-CER,CHIP;0.047nF,5%,50V,C0G,1608	2	SNA	
...4	KAC5	2203-001126	C-CER,CHIP;0.68nF,10%,50V,X7R,1608	1	SNA	
...4	AD480	2203-001851	C-CER,CHIP;0.016nF,5%,50V,NP0,TP,1608	2	SNA	
...4	AD480	2203-002285	C-CER,CHIP;10nF,10%,50V,X7R,1005	15	SNA	
...4	AVC08	2203-002398	C-CER,CHIP;22nF,10%,50V,X7R,1608	15	SNA	
...4	AD480	2203-002525	C-CER,CHIP;0.56nF,10%,50V,X7R,TP,1005	2	SNA	
...4	AD480	2203-002720	C-CER,CHIP;10nF,10%,25V,X7R,TP,1005	4	SNA	
...4	DC108	2203-005005	C-CER,CHIP;100nF,10%,16V,X7R,1608	3	SC	
...4	DC18	2203-005138	C-CER,CHIP;1.8nF,10%,50V,X7R,1005	6	SA	
...4	AAC1	2203-005249	C-CER,CHIP;100nF,10%,50V,X7R,TP,1608	16	SNA	
...4	AD480	2203-005344	C-CER,CHIP;22nF,10%,25V,X7R,TP,1005,-	23	SNA	
...4	AD480	2203-005533	C-CER,CHIP;1000nF,20%,6.3V,X7R,TP,1608	2	SNA	
...4	PC8	2203-005642	C-CER,CHIP;0.22nF,5%,50V,NP0,1005	1	SNA	
...4	AD480	2203-005968	C-CER,CHIP;4.7nF,10%,50V,X7R,TP,1005	2	SNA	
...4	AD480	2203-006104	C-CER,CHIP;1000nF,10%,50V,X7R,3225	1	SA	
...4	AD480	2203-006126	C-CER,CHIP;47nF,10%,16V,X7R,1005	3	SNA	
...4	PC11	2203-006141	C-CER,CHIP;1000nF,10%,16V,X5R,1608	2	SNA	
...4	C102	2203-006158	C-CER,CHIP;100nF,10%,16V,X7R,1005	319	SNA	
...4	AD480	2203-006307	C-CER,CHIP;1000nF,10%,25V,X5R,2012	8	SNA	
...4	AD480	2203-006333	C-CER,CHIP;10000nF,20%,16V,X5R,TP,3216	10	SNA	
...4	AD480	2203-006336	C-CER,CHIP;10000nF,10%,25V,X5R,3216	7	SA	
...4	C125	2203-006361	C-CER,CHIP;10000nF,10%,10V,X5R,TP,2012	26	SC	
...4	HE4	2203-006474	C-CER,CHIP;22000nF,20%,6.3V,X5R,2012	9	SA	
...4	HDC11	2203-006562	C-CER,CHIP;1000nF,10%,10V,X5R,TP,1005	51	SNA	
...4	AD480	2203-006824	C-CER,CHIP;4700nF,10%,10V,X5R,1608	4	SNA	
...4	AD480	2203-006992	C-CER,CHIP;0.33nF,5%,50V,C0G,TP,1005	12	SNA	
...4	AD480	2203-007176	C-CER,CHIP;10000nF,10%,16V,X5R,TP,2012 (	4	SNA	
...4	AD480	2203-007233	C-CER,CHIP;22000nF,10%,16V,X5R,TP,3216	3	SA	
...4	AD480	2203-007270	C-CER,CHIP;10000nF,10%,10V,X5R,TP,1608	65	SNA	
...4	T0052	2703-000125	INDUCTOR-SMD;10uH,10%,2012	8	SA	
...4	T0052	2703-000158	INDUCTOR-SMD;1uH,10%,2012	6	SA	
...4	T0052	2703-000222	INDUCTOR-SMD;560nH,10%,2012	3	SA	
...4	T0052	2703-000296	INDUCTOR-SMD;680nH,10%,1608	1	SA	
...4	T0052	2703-000392	INDUCTOR-SMD;10uH,5%,4532	1	SA	
...4	VL6	2703-000398	INDUCTOR-SMD;10uH,10%,3225	1	SA	
...4	T0052	2703-001239	INDUCTOR-SMD;3.3uH,10%,1608	2	SA	
...4	T0052	2703-002332	INDUCTOR-SMD;330nH,5%,1608	1	SA	
...4	T0052	2703-002557	INDUCTOR-SMD;270NH,5%,1608	1	SNA	
...4	T0052	2703-003150	INDUCTOR-SMD;4.7uH,20%,5050	4	SNA	
...4		2703-003296	INDUCTOR-SMD;47uH,10%,2012	1	SNA	
...4	T0052	2703-003713	INDUCTOR-SMD;1.5uH,20%,7366	1	SA	
...4	X202	2801-003326	CRYSTAL-SMD;24MHz,30ppm,28-ABX,20pF,50oh	2	SA	



5. Exploded View & Part List

Level	Location No.	Code No.	Description & Specification	Q'ty	SA/SNA	Remark
...4	X202	2801-003773	CRYSTAL-SMD;12MHz,30ppm,28-AAN,20pF,50oh	1	SA	
...4	X202	2801-003954	CRYSTAL-SMD;27MHz,30ppm,28-AAN,16pF,50oh	1	SA	
...4	X202	2801-004629	CRYSTAL-SMD;27MHz,20ppm,12pF,50ohm,TP	1	SNA	
...4	X202	2801-004734	CRYSTAL-SMD;25.000000MHz,20ppm,28-AAN,12	1	SA	
...4		2804-001878	OSCILLATOR-CLOCK;49.152MHz,50ppm,10TTL/1	1	SA	
...4	F103	2901-001506	FILTER-EMI SMD;5V,0.13A,0pF,2x1x0.5mm,TP	2	SA	
...4	DR32	3301-000314	BEAD-SMD;120ohm,1.6x0.8x0.8mm,-,-,-	2	SNA	
...4	T0568	3301-001236	BEAD-SMD;60ohm,1608	12	SNA	
...4	T0568	3301-001404	BEAD-SMD;30ohm,2012,TP,15.9OHM/30MHz	37	SA	
...4	T0568	3301-001526	BEAD-SMD;10ohm,1.6x0.8x0.8mm,1000mA,TP,,	20	SNA	
...4	T0568	3301-002039	BEAD-SMD;26ohm,1608,TP	7	SA	
...4		3701-001591	CONNECTOR-HDMI;19P,2ROW,FEMALE,SMD-S,AU	3	SNA	
...4		3701-001693	CONNECTOR-HDMI;19P,2ROW,FEMALE,SMD-A	1	SA	
...4	AC510	3708-002777	CONNECTOR-FPC/FFC/PIC;82P,0.5mm/0.75mm,S	1	SA	
...4	CON_US	3711-005616	HEADER-BOARD TO CABLE;BOX,10P,1R,2mm,SMD	1	SNA	
...4	HB01A	3711-007336	HEADER-BOARD TO CABLE;BOX,4P,1R,2.5mm,SM	1	SA	
...4		BN41-01443A	PCB MAIN;C650 eu Valencia,FR-4,4,1.2T,19	1	SNA	
...4		BN97-04201A	ASSY MICOM-MAIN;N84A,2009.12.24,T-VALAUS	1	SNA	
....5		1107-001818	IC-NAND FLASH;KFG1G16U2C-DIB6,1024Mbit,6	1	SNA	
...4		1001-000164	IC-ANALOG MULTIPLEX;74HC4052,CMOS,SOP,16	1	SA	
...4	IC012	1203-006138	IC-POSI.ADJUST REG.;AP1117DGZ-13-89,TO-2	1	SA	
...4	C132	2203-000854	C-CER,CHIP;0.039nF,5%,50V,C0G,1005	3	SA	
...4	T0052	2703-002557	INDUCTOR-SMD;270NH,5%,1608	2	SNA	
...4	T0052	2703-003790	INDUCTOR-SMD;4.7uH,20%,8080	3	SA	
...4		BN97-04244A	ASSY MICOM-SUB;T-VAL8DEUS-1003,2010.03.1	1	SNA	
....5	IC520	0903-001651	IC-MICROCONTROLLER;61P802-RG480WT,LQFP,4	1	SNA	
...3		BN97-04241A	ASSY CI PLUS;BN46-00027A,platform Euro C	1	SNA	
...4		BN46-00027A	KEY CODE-CI PLUS;CI PLUS KEY,TCTC,SERIAL	1	SNA	
...3	T0066	BN62-00071A	HEAT SINK-ES;22*22*2.6,Ceramic,T2.6,TAPE	1	SNA	
...3		BN62-00083A	HEAT SINK-ES;27*15.5*5,Ceramic,T5,TAPE	1	SNA	
...3		BN62-00084A	HEAT SINK-ES;LE32C650L1WXXC,A6063,2.5,28	1	SNA	
...3	T0066	BP62-00064B	HEAT SINK-ES;ROBOCOP,A6063,T4.0,40,40,BL	1	SNA	
0.1		BN91-05058A	ASSY SHIELD;LE40C630K1WX*	1	SNA	
..2	T0081	6001-002284	SCREW-MACHINE;BH,+,M4,L8,ZPC(WHT),SWRCH1	11	SA	
..2	M0081	6003-000337	SCREW-TAPTYPE;BH,+,S,M4,L10,ZPC(BLK),SWR	6	SA	
..2	M0081	6003-001003	SCREW-TAPTYPE;BH,+,B,M4,L12,ZPC(BLK),SWR	6	SA	
..2	M2893	BN39-01267E	LEAD CONNECTOR;LB6T,FLAT CONNECTOR ASS'Y	1	SA	
..2	M0174	BN44-00340A	IP BOARD-TV;PSIV231510A,I40F1_ASM,14mA,1	1	SA	
..2		BN61-05991A	HOLDER-SIDE AV;40,LC650,EO,PC+ABS,V0,BK0	1	SNA	
...3		0103-005041	RESIN-PC;V0,PC+ABS	21	SNA	
..2	M0230	BN96-12723C	ASSY CABLE P-FPCB LVDS CABLE;120Hz-40inc	1	SA	
..2	M0523	BN96-12973A	ASSY BRACKET P-WALL;32,37,40,LC650,SECC,	4	SNA	
...3	T0101	BN61-05996A	BRACKET-WALL;LC650 40,SECC,T1.2	4	SNA	
...3		BN60-00188B	SPACER-FOAM;LCD,FELT,20,3.0,20,Center :	4	SNA	
..2	T0910	BN96-13342A	ASSY BRACKET P-STAND LINK;LC530 37/40/46	1	SNA	
...3		BN61-02429K	STUD-PEM;PNB,M3.8,D7,L14.9,ZPC(SIL),SUM2	2	SNA	
...3	M0115	BN61-05998A	BRACKET-STAND LINK;LC650 46,SECC,T1.6	1	SNA	
...3		BN61-05281A	HOLDER-CLAMP;LCD,NYLON 66,WHT	3	SNA	
..2	M2893	BN39-01024E	LEAD CONNECTOR;LC5F,UL3239#24,2P,175mm,1	1	SA	
..2	M2893	BN39-01279E	LEAD CONNECTOR;LB6T,Flat Connector Ass'y	1	SA	
..2		BN73-00273B	SILICON/RUBBER-GAPPAD;UE32C6500,SILICON+	1	SNA	



Level	Location No.	Code No.	Description & Specification	Q'ty	SA/SNA	Remark
..2	T0081	6001-002604	SCREW-MACHINE;BH,+,M4,L10,ZPC(WHT),SWRCH	2	SA	
..2		BN61-06441A	HOLDER-INLET;LC530,ABS,V0	1	SNA	
...3		0103-004627	RESIN-ABS;VE-0812/K2901,BK0020,V0,ABS,No	18	SNA	
..2	CIS1	0203-001586	TAPE-FILAMENT;#893,0.15,25,55	0.1	SNA	
..2		BN61-06559A	HOLDER-GROUND;LC550,SUS304,0.3	2	SNA	
0.1		BN91-05263A	ASSY LCD-CMO;BN07-00821A	1	SNA	
..2	PANEL	BN07-00821A	LCD-PANEL;V400H1-LH9,CM40H19,10bits,40,1	1	SA	
...3	INVER	BN81-04448A	A/S-BB-L;V400H1-LH9	1	SA	
...3	TCON	BN81-04463A	A/S-T CON V400H1-LH9;V400H1-LH9	1	SA	
0.1	ACCE1	BN92-05776D	ASSY ACCESSORY;LE37C630K1WXZG,40,46	1	SNA	
..2		BN96-13197F	ASSY ACCESSORY-MANUAL;LE32C630K1WX*,37,4	1	SNA	
...3	T0524	6902-000110	BAG PE;LDPE,T0.05,W250,L400,TRP,28,2,9.2	1	SNA	
...3	T0527	BN68-00513A	LABEL-E,PASS;ALL MODEL,YUPO(110G),50X15,	1	SNA	
...3		BN68-00514E	MANUAL FLYER-05,WARRANTY CARD;comm,Samsu	1	SNA	
...3		BN68-02186A	MANUAL FLYER-TOC GUIDE;COMM,SAMSUNG,11 L	1	SNA	
...3		BN68-02689B	MANUAL USERS;C630,SAMSUNG,4LANGS,ZG,W/P	1	SNA	
...3		AA68-03242V	MANUAL FLYER-SAFETY GUIDE;comm,Samsung,1	1	SNA	
..2	ACCE2	BN96-13311Z	ASSY ACCESSORY-CABLE;LE37C630K1WX*,40	1	SNA	
...3	T0268	3903-000456	CBF-POWER CORD;DT,EU/KR,CP3,IEC320 C13-R	1	SA	
...3	T0120	4301-000121	BATTERY-MN;1.5V,R03,10.5x44.5m,HOLDER,7.	2	SNA	
...3	REMO2	BN59-01014A	REMOCON;TM1050,SAMSUNG,20PIN SINGLE,48KE	1	SA	
...3		BN61-05596A	HOLDER-WIRE CABLE;LED TV,LDPE,T0.8,L150,	1	SNA	
...3	M9889	BN63-01798B	CLOTH-CLEAN;cloth,180,200,sea blue,ToC	1	SA	
...3	T0531	BN63-06339B	COVER-BOTTOM;37,40,46,LC650,HIPS,V0,BK00	1	SA	
....4		0103-004637	RESIN-HIPS;BK0020,V0,HIPS,NoN-Deca,NoN-D	70	SNA	
...3	T0527	BN68-00513A	LABEL-E,PASS;ALL MODEL,YUPO(110G),50X15,	1	SNA	
...3	T0524	6902-000110	BAG PE;LDPE,T0.05,W250,L400,TRP,28,2,9.2	1	SNA	
0.1		BN92-05777A	ASSY LABEL;LE32C630K1WX*,37,40,46	1	SNA	
..2	T0527	BP68-00052B	LABEL-00,RATING;CCTV,TETRON PAPER,T0.05,	1	SNA	
..2		AA68-03752D	LABEL-STICKER;WW,ALL,Art Paper(90g),44.5	1	SNA	
0.1		BN92-05856A	ASSY P/MATERIAL;40,LC650	1	SNA	
..2	T0214	0203-001595	TAPE-OPP MASKING;OPP-2,0.075,75,800M,CLR	2.7	SNA	
..2		6902-000604	BAG WRAPPING;LDPE,T0.02,W500,L10000,TRP,	3.28	SNA	
..2	M040	6922-000003	BAND PP;PP,T0.8,W18,L1650M,TRP,DA69-9014	0.82	SNA	
..2		BN69-00257F	PACKING-BAG SHEET;-CB,-,1200,500,-,-,WH	1	SNA	
..2		BN69-03982F	PAD PACKING-EDGE;LB6T,PAPER,8,120,2160,Y	1	SNA	
..2	T0246	BN69-04325A	CUSHION-01,SET;LC650 40,EPS	1	SNA	
..2		BN68-02422B	LABEL-WARNING SHIPPING;ALL MODEL,A/P 100	1	SNA	
..2		BN69-05183A	PALLET;-WOOD,990,1220,135,8500,2010,SES	1	SNA	
..2		6902-001176	BAG PE;HDPE/NITRON,T0.015/T0.5,W1200,L50	1	SNA	
..2		BH69-40383L	PACKING INNER-00,PAD;COMM,CB,1200,900,YE	1	SNA	
..2		6902-000379	BAG AIR;LDPE,T0.2,W1000,L1800,TRP,1260.0	1	SNA	
0.1		BN92-05905B	ASSY BOX;40,LC630,EO	1	SNA	
..2		BN69-04633D	BOX-SET;40LC630,CB,A-01,DW3,YEL,W1195,D1	1	SNA	
..2		BH68-00662A	LABEL BOX-00;ALL MODEL,MOJO 90G,60,110,W	1	SNA	