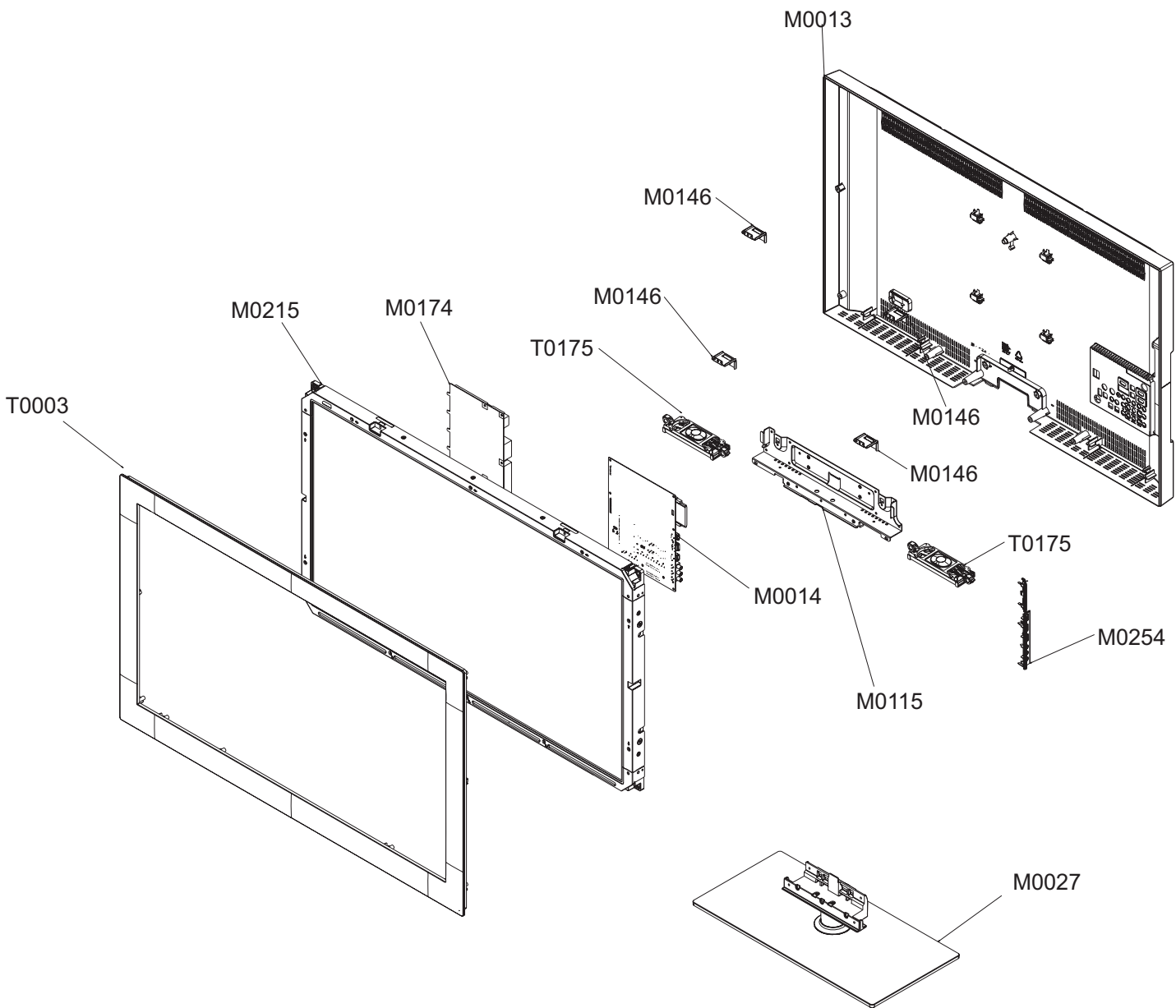


5-3. LE40B55* Exploded View



5-3-1. LE40B55* Parts List

Location No.	Code No.	Description & Specification	Q'ty	S.A/S.N.A	Remark
T0003	BN96-09555B	ASSY COVER P-FRONT;40,LB550,EO,PC(CLR)+P	1	S.A	
M0215	BN07-00675D	LCD-PANEL;LTF400HA08	1	S.A	
	BN81-02390A	A/S-T CON V400H1-L05;V400H1-L05	1	S.A	
T0175	BN96-09463C	ASSY SPEAKER P;8ohm,4pin,10W,R:250/ L:60	1	S.A	
M0115	BN61-04918A	BRACKET-STAND LINK;40, B610,SECC,T1.6	1	S.N.A	
M0146	BN61-03414A	BRACKET-PANEL TOP;B650-32,SECC,T1.2	2	S.N.A	
M0174	BN44-00264C	IP BOARD;H40F1_9HS,H40F1_9HS,0.11mA,11mA	1	S.A	
M0014	BN94-02668C	ASSY PCB MAIN;LE40B550A5WXXC	1	S.A	
M0254	BN61-04801C	HOLDER-SIDE AV;EO,HIPS,HB,BK500,1USB,1HD	1	S.N.A	
T0101	BN61-04816A	BRACKET-WALL;40, B610,SECC,T1.2	4	S.N.A	
M0013	BN96-09613A	ASSY COVER P-REAR;40,LB550,EO,HIPS,HB,BK	1	S.A	
M0027	BN96-09610A	ASSY STAND P-BASE;40,LB610,TEMPERED GLAS	1	S.A	