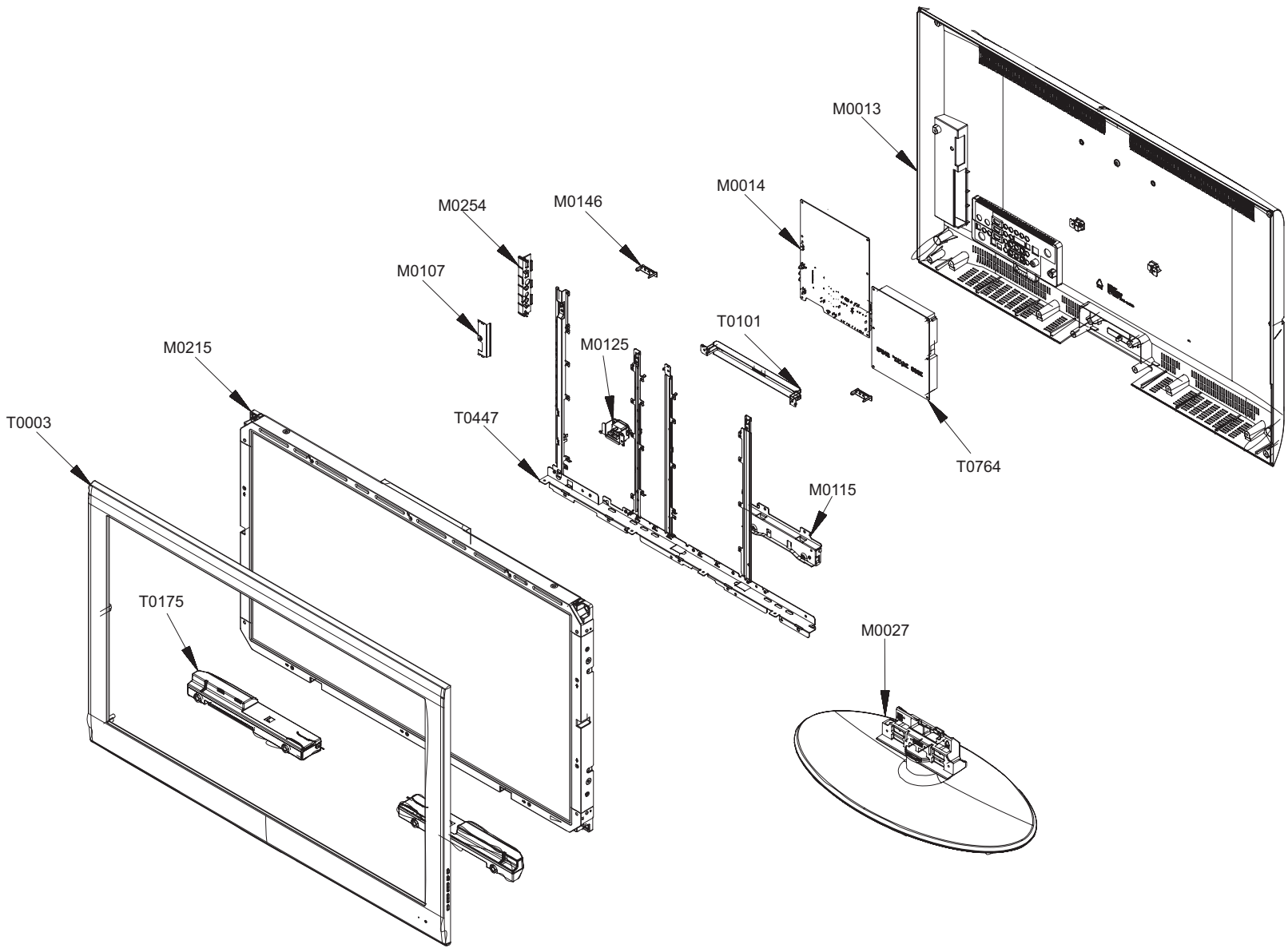


5-3. LE40A566P1MXZF Exploded View



5-3-1. LE40A566P1MXZF Parts List

Location No.	Code No.	Description & Specification	Q'ty	S.A/S.N.A	Remark
T0003	BN96-06708G	ASSY COVER P-FRONT;PEARL 40",France,ABS+	1	S.N.A	
T0175	BN96-06819A	ASSY SPEAKER P;8ohm,PEARL,LCD,10W,100mm,	2	S.A	
M0215	BN07-00533A	LCD-PANEL;V400H1-L01 C2	1	S.A	
T0447	BN96-06732A	ASSY BRACKET P-PANEL;L550 40Inch	1	S.N.A	
M0115	BN61-03337A	BRACKET-STAND LINK;40 PEONY,SECC,T1.6	1	S.A	
M0107	BN63-03039A	SHIELD-COVER;MURANO40,PCM,T0.5,IDTV	1	S.N.A	
M0254	BN61-02875E	HOLDER-SIDE AV;40F8,EO,HIPS V0,-,-,-,BK5	1	S.N.A	
M0014	BN94-01812C	ASSY PCB MAIN;LE40A566P1MXZF	1	S.A	
M0125	BN96-04817B	ASSY INLET P;LNT4081FX,XAA,250mm,250mm,-	1	S.A	
T0101	BN61-03348A	BRACKET-WALL;LCD TV 32,SECC T1.2,-,-,-,-	2	S.N.A	
M0013	BN96-05957B	ASSY COVER P-REAR;L550 40Inch,EO,HIPS HB	1	S.A	
M0027	BN96-06738A	ASSY STAND P-BASE;L550 40Inch,ABS+PMMA,H	1	S.A	