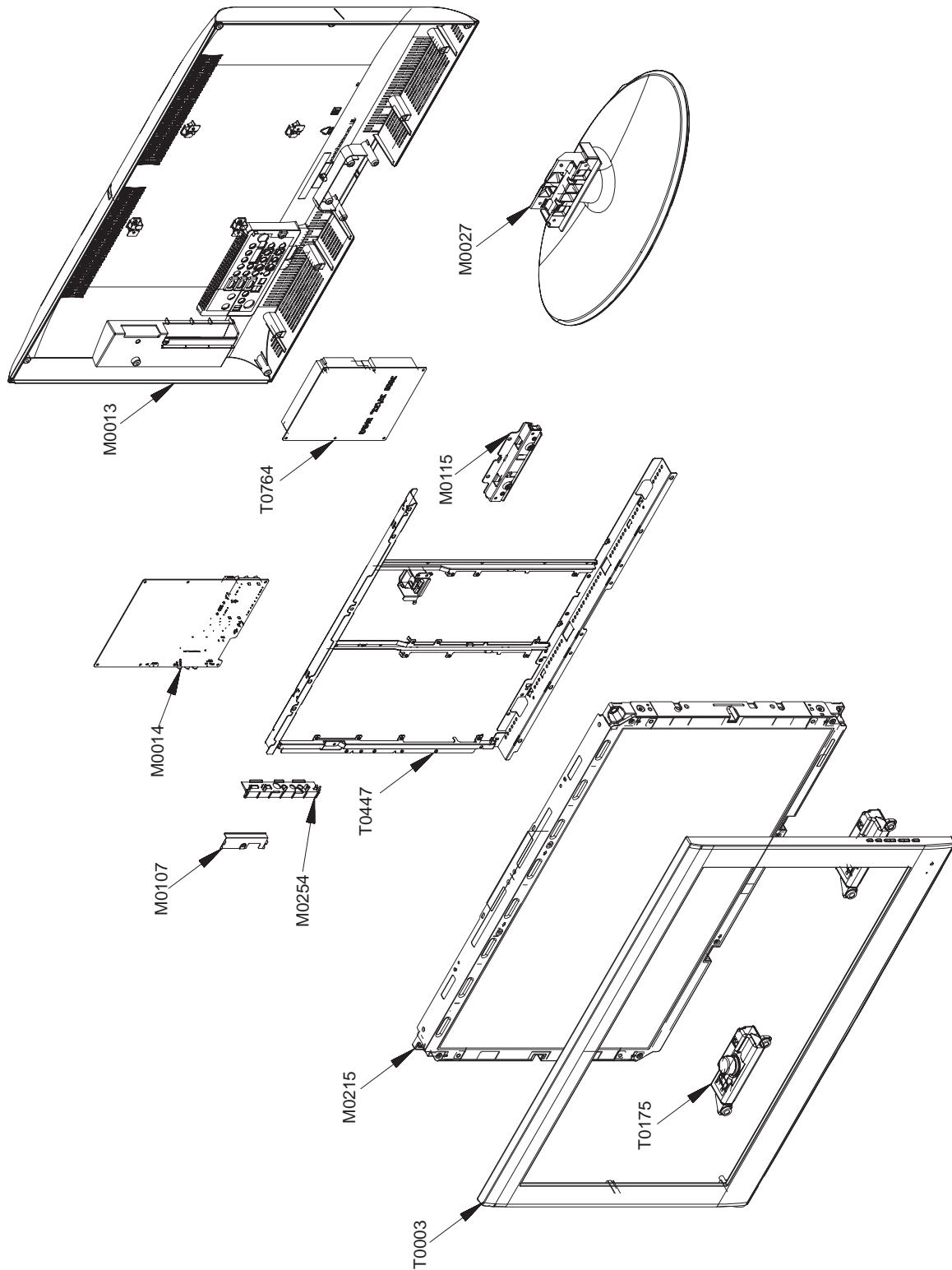


5. Exploded View & Part List

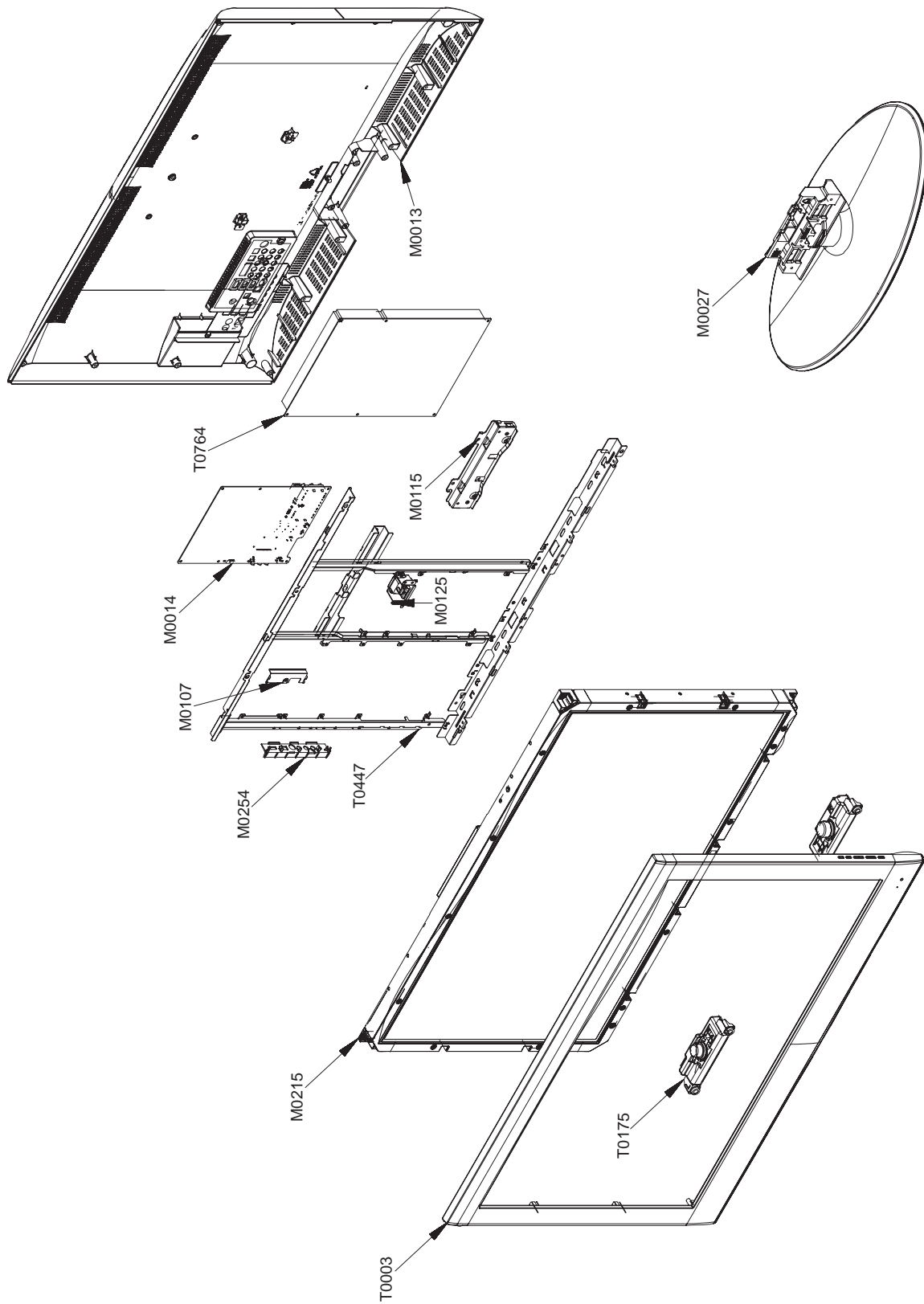
5-1. LE32A55*P Exploded View



5-1-2. LE32A55*P Parts List

| Location No. | Code No. | Description & Specification | Q'ty | S.A/S.N.A | Remark |
|--------------|-------------|--|------|-----------|--------|
| T0003 | BN96-07425B | ASSY COVER P-FRONT;32L550,P3,EO(iDTV),AB | 1 | S.A | |
| T0175 | BN96-06818B | ASSY SPEAKER P;8ohm,CORAL,L450,10W,4pin, | 1 | S.A | |
| M0215 | BN07-00520A | LCD-PANEL;LTF320HA01,8bit,32inch,16.7M,1 | 1 | S.A | |
| T0447 | BN96-04681A | ASSY BRACKET P-PANEL;-;32R81,-,-,-,AM, | 1 | S.N.A | |
| M0115 | BN61-03706A | BRACKET-STAND LINK;BRACKET-STAND-LINK 32 | 1 | S.A | |
| M0107 | BN63-03039A | SHIELD-COVER;MURANO40,PCM,T0.5,IDTV | 1 | S.N.A | |
| M0254 | BN61-02875E | HOLDER-SIDE AV;40F8,EO,HIPS V0,-,-,-,BK5 | 1 | S.N.A | |
| M0014 | BN94-01656E | ASSY PCB MAIN-AMLCD;LE32A556P1FX,N46A | 1 | S.A | |
| T0764 | BN44-00208A | SMPS-LCDTV;MK32P5T,SEM,AC/DC,137W,AC100 | 1 | S.A | |
| M0013 | BN96-06947B | ASSY COVER P-REAR;32L530,EO(iDTV),HIPS,H | 1 | S.A | |
| M0027 | BN96-06935A | ASSY STAND P-BASE;32,L530,ABS+PMMA,HB,BK | 1 | S.A | |

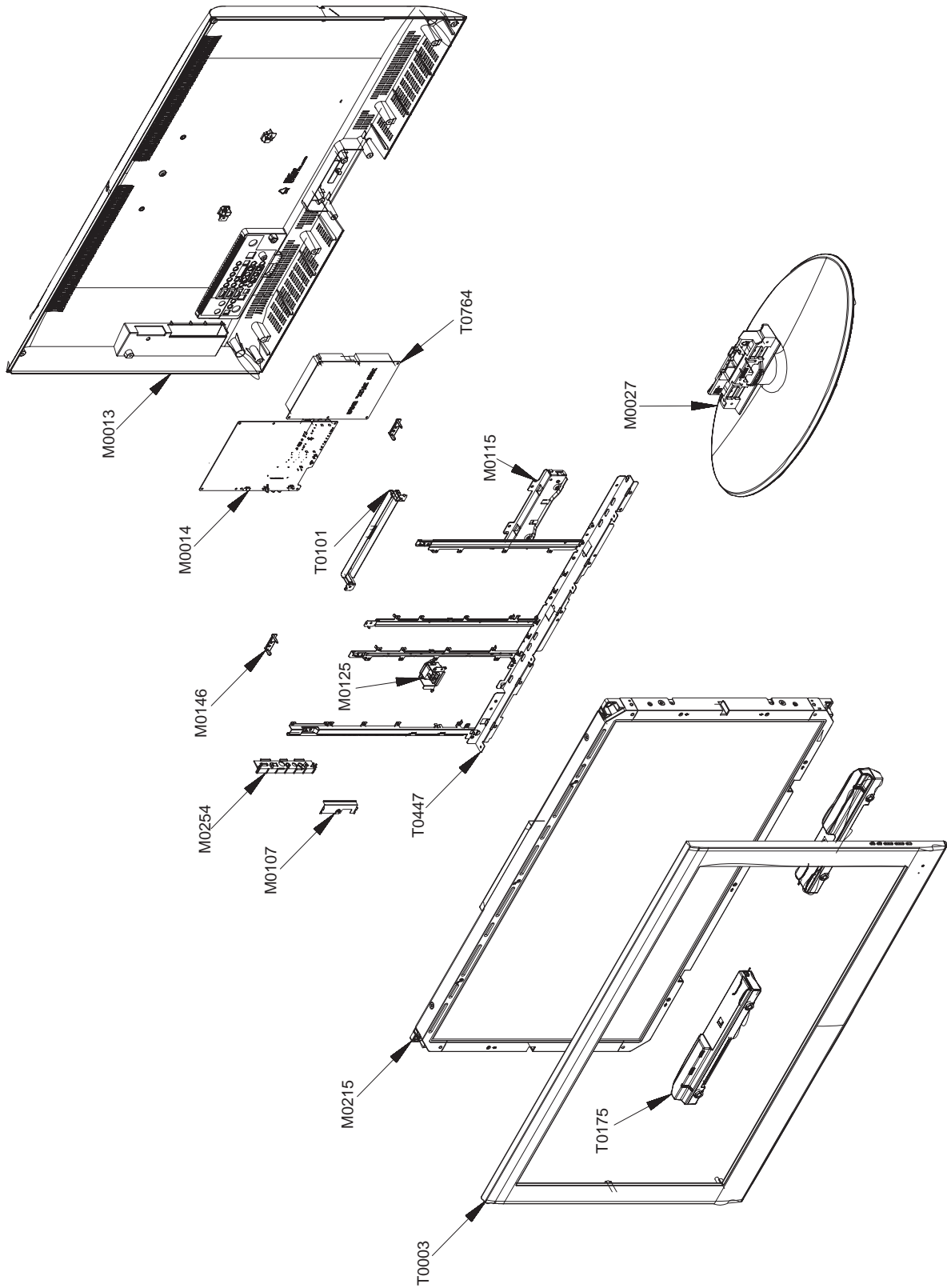
5-2. LE37A55*P Exploded View



5-2-1. LE37A55*P Parts List

| Location No. | Code No. | Description & Specification | Q'ty | S.A/S.N.A | Remark |
|--------------|-------------|---|------|-----------|--------|
| T0003 | BN96-07427D | ASSY COVER P-FRONT;37L550,P3,EO(iDTV),AB | 1 | S.N.A | |
| T0175 | BN96-06818B | ASSY SPEAKER P;8ohm,CORAL,L450,10W,4pin, | 1 | S.A | |
| M0215 | BN07-00514A | LCD-PANEL;T370HW02 V4,8bit,37inch,16.7M, | 1 | S.A | |
| T0447 | BN96-06880A | ASSY BRACKET P-PANEL;37L550P3,,SECC,,,PE | 1 | S.N.A | |
| M0115 | BN61-02882A | BRACKET-STAND LINK;TULIP,40,SECC,T1.6,-, | 1 | S.A | |
| M0107 | BN63-03039A | SHIELD-COVER;MURANO40,PCM,T0.5,IDTV | 1 | S.N.A | |
| M0254 | BN61-02875E | HOLDER-SIDE AV;40F8,EO,HIPS V0,-,-,-,BK5 | 1 | S.N.A | |
| M0014 | BN94-01656A | ASSY PCB MAIN-AUO;LE37A556P1FX,N46A | 1 | S.A | |
| M0125 | BN96-04817B | ASSY INLET P;LNT4081FX,XAA,250mm,250mm,- | 1 | S.A | |
| T0764 | BN44-00216A | SMPS-LCDTV;MK37P5T,SEM,AC/DC,171W,AC100 | 1 | S.A | |
| M0013 | BN96-06948B | ASSY COVER P-REAR;37L530,EO(iDTV),HIPS,H | 1 | S.A | |
| M0027 | BN96-04754A | ASSY STAND P-BASE;- ,37,40S81,-,ABS+PMMA, | 1 | S.A | |

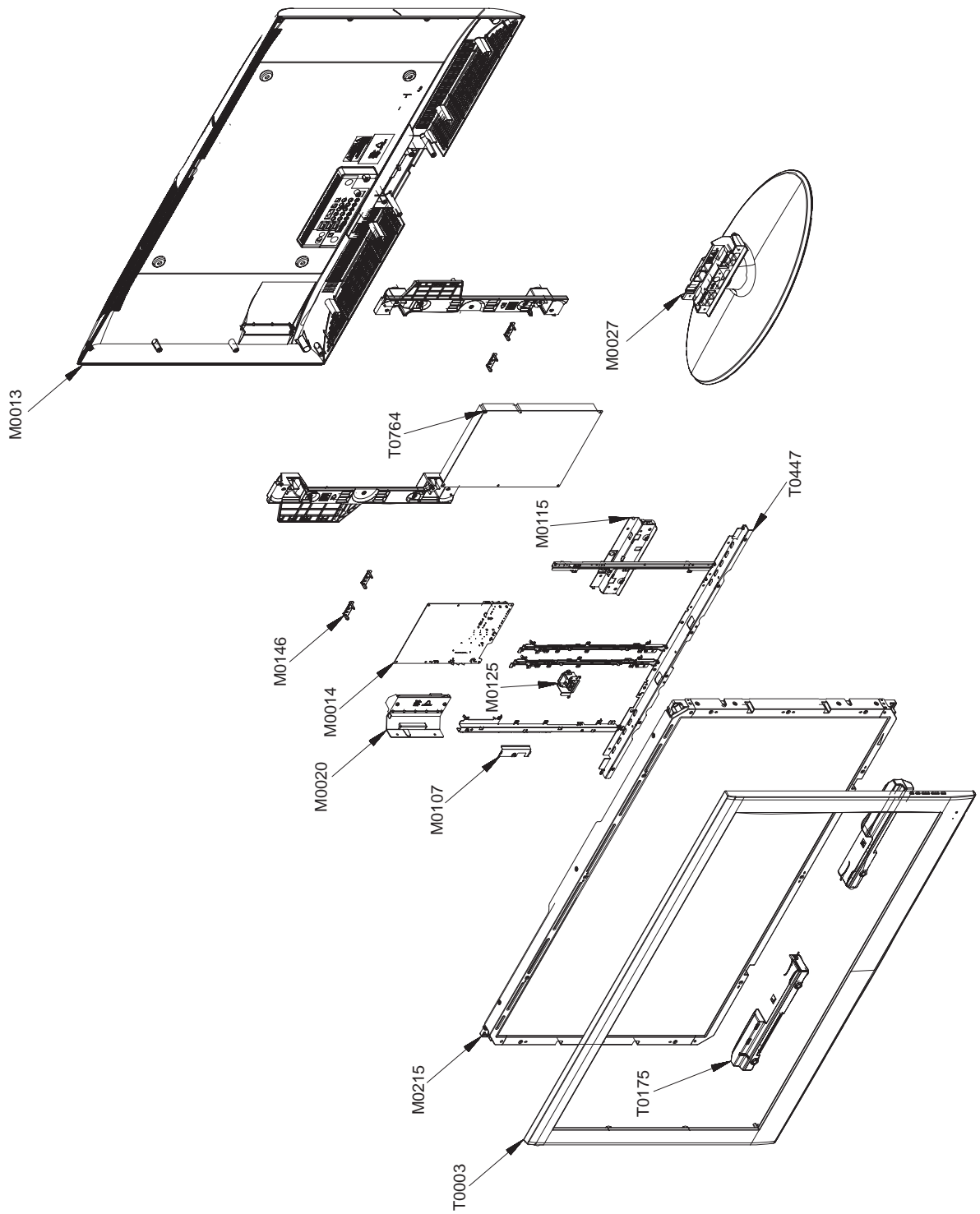
5-3. LE40A55*P Exploded View



5-3-1. LE40A55*P Parts List

| Location No. | Code No. | Description & Specification | Q'ty | S.A/S.N.A | Remark |
|--------------|-------------|---|------|-----------|--------|
| T0003 | BN96-06715E | ASSY COVER P-FRONT;40L550,P2,P3,P4,EO(iD | 1 | S.N.A | |
| T0175 | BN96-06809B | ASSY SPEAKER P;8ohm,L530 40"/46",Down Fi | 1 | S.A | |
| M0215 | BN07-00516A | LCD-PANEL;T400HW02 V1,8bit,40inch,16.7M, | 1 | S.A | |
| T0447 | BN96-06960A | ASSY BRACKET P-PANEL;40A450C,SECC,T1.0,C | 1 | S.N.A | |
| M0115 | BN61-02882A | BRACKET-STAND LINK;TULIP,40,SECC,T1.6,-, | 1 | S.A | |
| M0146 | BN61-03414A | BRACKET-PANEL TOP;PEONY52,SECC T1.2 | 2 | S.N.A | |
| M0107 | BN63-03039A | SHIELD-COVER;MURANO40,PCM,T0.5,IDTV | 1 | S.N.A | |
| M0254 | BN61-02875E | HOLDER-SIDE AV;40F8,EO,HIPS V0,-,-,-,BK5 | 1 | S.N.A | |
| M0014 | BN94-01656B | ASSY PCB MAIN-AUO;LE40A556P1FX,N46A | 1 | S.A | |
| M0125 | BN96-04817B | ASSY INLET P;LNT4081FX,XAA,250mm,250mm,- | 1 | S.A | |
| T0101 | BN61-03700A | BRACKET-WALL;L450 40INCH,SECC,T1.0 | 1 | S.N.A | |
| M0013 | BN96-06948B | ASSY COVER P-REAR;37L530,EO(iDTV),HIPS,H | 1 | S.A | |
| M0027 | BN96-04754A | ASSY STAND P-BASE;- ,37,40S81,-,-,ABS+PMMA, | 1 | S.A | |

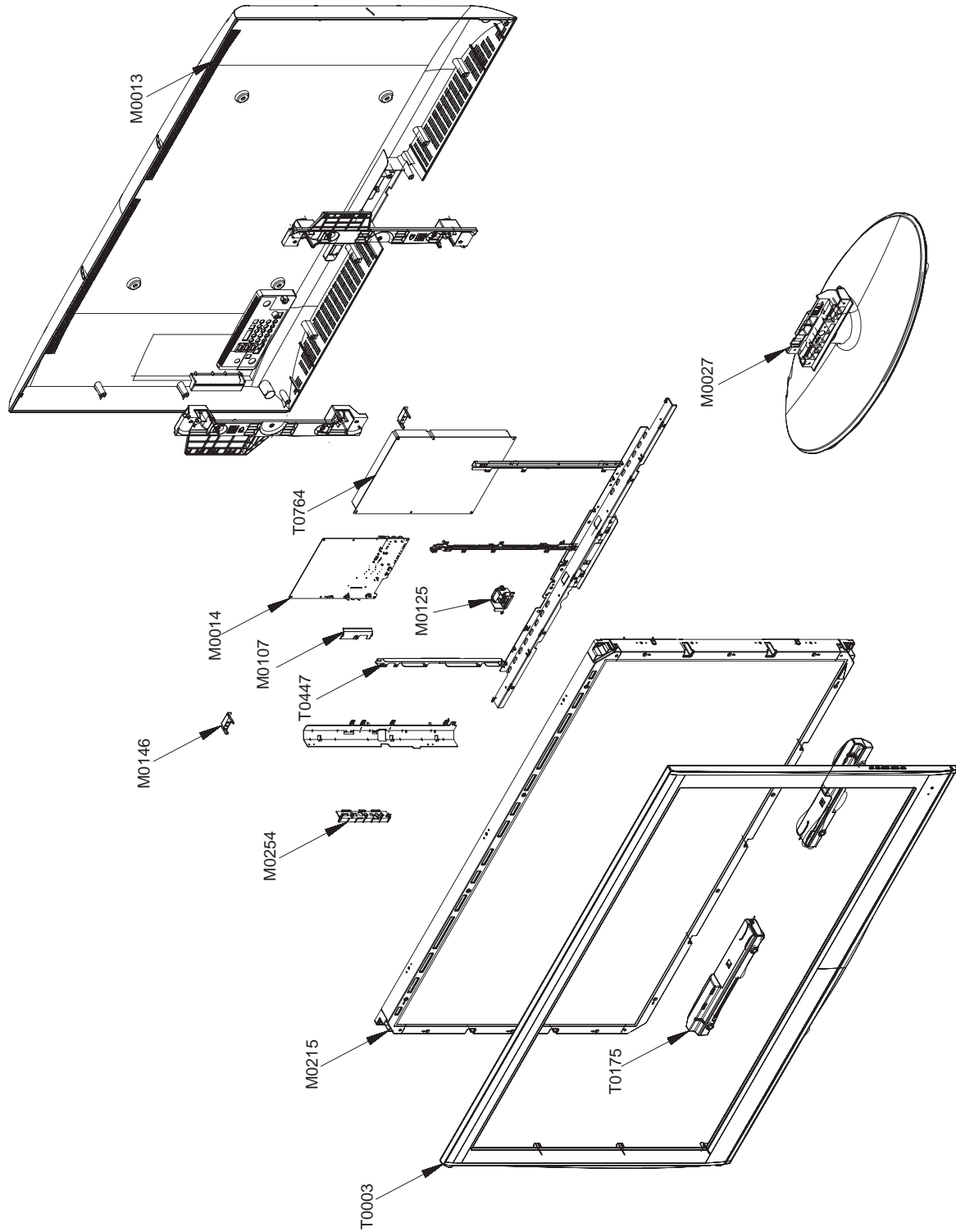
5-4. LE46A55*P Exploded View



5-4-1. LE46A55*P Parts List

| Location No. | Code No. | Description & Specification | Q'ty | S.A/S.N.A | Remark |
|--------------|-------------|--|------|-----------|--------|
| T0003 | BN96-06928C | ASSY COVER P-FRONT;46L530,P3,EO(iDTV),AB | 1 | S.A | |
| T0175 | BN96-06809B | ASSY SPEAKER P;8ohm,L530 40"/46",Down Fi | 1 | S.A | |
| M0215 | BN07-00517A | LCD-PANEL;T460HW03 V1,8bit,46inch,16.7M, | 1 | S.A | |
| T0447 | BN96-06885A | ASSY BRACKET P-PANEL;46,L650A,AMBER | 1 | S.N.A | |
| M0115 | BN61-03790A | BRACKET-STAND LINK;AMBER 46,SECC,T1.6,-, | 1 | S.N.A | |
| M0107 | BN63-03039A | SHIELD-COVER;MURANO40,PCM,T0.5,IDTV | 1 | S.N.A | |
| M0146 | BN61-03414A | BRACKET-PANEL TOP;PEONY52,SECC T1.2 | 4 | S.N.A | |
| M0020 | BN96-07563A | HOLDER-SIDE AV;40F8,EO,HIPS V0,-,-,-,BK5 | 1 | S.N.A | |
| M0014 | BN94-01656B | ASSY PCB MAIN-AUO;LE40A556P1FX,N46A | 1 | S.A | |
| M0125 | BN96-07563A | ASSY BOARD P-SIDE AV;L46A558P3F,SJ08-01- | 1 | S.N.A | |
| M0013 | BN96-06950B | ASSY COVER P-REAR;46L530,EO(iDTV),HIPS,H | 1 | S.A | |
| M0027 | BN96-06936A | ASSY STAND P-BASE;46,L530,ABS+PMMA,HB,BK | 1 | S.A | |

5-5. LE52A55*P Exploded View



5-5-1. LE52A55*P Parts List

| Location No. | Code No. | Description & Specification | Q'ty | S.A/S.N.A | Remark |
|--------------|-------------|--|------|-----------|--------|
| T0003 | BN96-06713B | ASSY COVER P-FRONT;52L550,P3,EO(iDTV),AB | 1 | S.A | |
| T0175 | BN96-06809C | ASSY SPEAKER P;8ohm,L530 52",Down Firing | 1 | S.A | |
| M0215 | BN07-00522A | LCD-PANEL;LTF520HB01,8bit,52inch,1.67M,1 | 1 | S.A | |
| T0447 | BN96-07390A | ASSY BRACKET P-PANEL;52L550,P2,P3,P4,EO, | 1 | S.N.A | |
| M0115 | BN61-03790A | BRACKET-STAND LINK;AMBER 46,SECC,T1.6,-, | 1 | S.N.A | |
| M0107 | BN63-03039A | SHIELD-COVER;MURANO40,PCM,T0.5,IDTV | 1 | S.N.A | |
| M0254 | BN61-02875E | HOLDER-SIDE AV;40F8,EO,HIPS V0,-,-,-,BK5 | 1 | S.N.A | |
| M0014 | BN94-01656D | ASSY PCB MAIN-AMLCD;LE52A556P1FX,N46A | 1 | S.A | |
| M0125 | BN96-05490A | ASSY INLET P;LE52M87BDX,XEC,300,300,150m | 1 | S.A | |
| M0013 | BN96-06951B | ASSY COVER P-REAR;52L530,EO(iDTV),HIPS,H | 1 | S.A | |
| M0027 | BN96-06937A | ASSY STAND P-BASE;52,L530,ABS+PMMA,HB,BK | 1 | S.A | |

5-6. LE32A55*P Parts List

| Level | Location No. | Code No. | Description & Specification | Q'ty | SA/SNA | Remark |
|-------|--------------|----------------|--|------|--------|--------|
| | | LE32A558P3FXXC | LE32A558P3F,N46A/32AP3-GPR,32,LCD-TV,SPA | | | |
| 0.1 | M0001 | BN90-01545C | ASSY COVER FRONT;32L550,LO,P3,,,, | 1 | S.N.A | |
| ..2 | T0003 | BN96-07425B | ASSY COVER P-FRONT;32L550,P3,EO(iDTV),AB | 1 | S.A | |
| ...3 | M0081 | 6003-001188 | SCREW-TAPTITE;BH,+,-,B,M4,L10,ZPC(WHT),S | 1 | S.N.A | |
| ...3 | M0081 | 6003-001188 | SCREW-TAPTITE;BH,+,-,B,M4,L10,ZPC(WHT),S | 1 | S.N.A | |
| ...3 | M0081 | 6003-001188 | SCREW-TAPTITE;BH,+,-,B,M4,L10,ZPC(WHT),S | 2 | S.N.A | |
| ...3 | T0069 | AA60-00171Q | SPACER-FELT;56L3,FELT,690,T0.35,8 | 2 | S.N.A | |
| ...3 | | BN61-03261J | BOSS-TAPE;Tulip,ACRYL,T1.1,W16.0mm,GRAY, | 0.62 | S.N.A | |
| ...3 | | BN61-03885A | HOLDER-BOSS BOTTOM;HOLDER-BOSS BOTTOM 32 | 1 | S.N.A | |
| ...3 | | BN63-01925A | FELT-VIBRATION;42D5,FELT,T0.35,10,370 | 2 | S.N.A | |
| ...3 | CCM1 | BN63-02183D | COVER-SHEET;RhcM,PE Vinyl,T0.05,680mm,20 | 1.48 | S.N.A | |
| ...3 | M0112 | BN63-04364C | COVER-FRONT;32L550,P2,P3,P4,EO(iDTV),ABS | 1 | S.N.A | |
| ...3 | T0059 | BN64-00379A | INDICATOR LED;ROME-II,23,PC,CLEAR | 1 | S.N.A | |
| ...3 | T0061 | BN64-00453A | WINDOW-REMOCON;32R71,PC,V0,VIOLET,DIFFUS | 1 | S.N.A | |
| ...3 | T0022 | BN64-00755A | KNOB-CONTROL;32L450,ABS,V0,BK07 | 1 | S.N.A | |
| ...3 | | BN64-00871A | DECORATION-BOTTOM;32L550,P3,ABS,HB,GR503 | 1 | S.N.A | |
| ...3 | M0146 | BN96-07270F | ASSY BOARD P-POWER & IR;LE32A656P1F,CT50 | 1 | S.A | |
| ...3 | M0145 | BN96-07269A | ASSY BOARD P-FUNCTION;LN40A450C1D,CT5000 | 1 | S.A | |
| 0.1 | M0002 | BN90-01550A | ASSY COVER REAR;32L550,P3,EO(iDTV),,,, | 1 | S.N.A | |
| ..2 | T0081 | 6002-001294 | SCREW-TAPPING;BH,+,,M4,L16,ZPC(BLK) | 1 | S.A | |
| ..2 | T0081 | 6002-001294 | SCREW-TAPPING;BH,+,,M4,L16,ZPC(BLK) | 11 | S.A | |
| ..2 | T0081 | 6002-001294 | SCREW-TAPPING;BH,+,,M4,L16,ZPC(BLK) | 1 | S.A | |
| ..2 | M0013 | BN96-06947B | ASSY COVER P-REAR;32L530,EO(iDTV),HIPS,H | 1 | S.A | |
| ...3 | M0081 | 6003-001188 | SCREW-TAPTITE;BH,+,-,B,M4,L10,ZPC(WHT),S | 4 | S.N.A | |
| ...3 | T0101 | BN61-03348A | BRACKET-WALL;LCD TV 32,SECC T1.2,-,-,-,- | 4 | S.N.A | |
| ...3 | M0006 | BN63-04366B | COVER-REAR;32L530,EO(iDTV),HIPS,HB,BK500 | 1 | S.N.A | |
| ...3 | T0071 | BN64-00776A | INLAY-TERMINAL;L450,EO(iDTV),PS SHEET,T0 | 1 | S.N.A | |
| ...3 | T0064 | BN65-00002A | CLAMPER CORE;BORDEAUX,LDPE,-,-,BLK,- | 1 | S.N.A | |
| 0.1 | M0216 | BN90-01555A | ASSY STAND;32L530 | 1 | S.N.A | |
| ..2 | T0524 | 6902-000241 | BAG PE;NITRON/HDPE,T0.5/T0.012,W600,L600 | 1 | S.N.A | |
| ..2 | M0027 | BN96-06935A | ASSY STAND P-BASE;32,L530,ABS+PMMA,HB,BK | 1 | S.A | |
| ...3 | T0081 | 6002-001294 | SCREW-TAPPING;BH,+,,M4,L16,ZPC(BLK) | 4 | S.A | |
| ...3 | M0081 | 6003-001239 | SCREW-TAPTITE;FH,+,-,B,M4,L10,ZPC(WHT),S | 4 | S.A | |
| ...3 | | BN61-02232A | HOLDER-SWIVEL RING;32R71,ACETAL NATUAL,T | 1 | S.N.A | |
| ...3 | | BN61-02233A | HOLDER-SWIVEL RING;32R71,ACETAL NATUAL,B | 1 | S.N.A | |
| ...3 | | BN61-02236A | BRACKET-HINGE SWIVEL;BORDEAUX 32,SECC,T1 | 1 | S.N.A | |
| ...3 | | BN61-02942A | BRACKET-STAND BOTTOM;32,BORDEAUX PLUS,SE | 1 | S.N.A | |
| ...3 | T0920 | BN61-03886A | GUIDE-STAND;GUIDE-STAND 32 L530,PC,BLK,G | 1 | S.N.A | |
| ...3 | CCM1 | BN63-02183D | COVER-SHEET;RhcM,PE Vinyl,T0.05,680mm,20 | 0.4 | S.N.A | |
| ...3 | T0004 | BN63-03102A | COVER-STAND BASE;32R81,ABS+PMMA,-,-,-,HB | 1 | S.N.A | |
| ...3 | T0132 | BN73-00052A | RUBBER FOOT;ARES 17,CR Rubber Gray,T1.5 | 4 | S.N.A | |
| 0.1 | M0017 | BN91-02016E | ASSY CHASSIS;LE32A556P1FX/XC,AMLCD | 1 | S.N.A | |
| ..2 | M0014 | BN94-01656E | ASSY PCB MAIN-AMLCD;LE32A556P1FX,N46A | 1 | S.A | |
| ...3 | | 0202-001557 | SOLDER-CREAM;LST57-A,D38-63,42SN/57BI/1A | 11 | S.N.A | |

5. Exploded View & Part List

| Level | Location No. | Code No. | Description & Specification | Q'ty | SA/SNA | Remark |
|-------|--------------|-------------|---|-------|--------|--------|
| ...3 | T0245 | 0202-001608 | SOLDER-WIRE FLUX;LFC7-107,D0.8,99.3Sn/0. | 1.25 | S.N.A | |
| ...3 | JA3114_NSI | 3701-001388 | CONNECTOR-HDMI;20P,Phosphor Bronze,ANGLE | 1 | S.A | |
| ...3 | JA3208_OP | 3701-001480 | CONNECTOR-DSUB;15P,3R,FEMAIL,STAMPED PIN | 1 | S.A | |
| ...3 | CN906 | 3707-001081 | CONNECTOR-OPTICAL;STRAIGHT,SPDIF | 1 | S.A | |
| ...3 | JA7201 | 3709-001508 | CONNECTOR-CARD SLOT;68P,1.27mm,PIN,PCMCIA | 1 | S.A | |
| ...3 | CN330 | 3711-000058 | HEADER-BOARD TO CABLE;BOX,4P,1R,2.5MM,AN | 1 | S.A | |
| ...3 | CN330 | 3711-004379 | HEADER-BOARD TO CABLE;BOX,4P,1R,2mm,STRA | 1 | S.A | |
| ...3 | CN330 | 3711-004379 | HEADER-BOARD TO CABLE;BOX,4P,1R,2mm,STRA | 1 | S.A | |
| ...3 | CN330 | 3711-004484 | HEADER-BOARD TO CABLE;BOX,5P,1R,2mm,STRA | 1 | S.A | |
| ...3 | CN330 | 3711-004531 | HEADER-BOARD TO CABLE;BOX,10P,1R,2mm,ANG | 1 | S.A | |
| ...3 | CN330 | 3711-004712 | HEADER-BOARD TO CABLE;BOX,9P,1R,2mm,STRA | 1 | S.A | |
| ...3 | CN330 | 3711-005842 | HEADER-BOARD TO CABLE;BOX,24P,2R,2MM,STR | 1 | S.A | |
| ...3 | JA330 | 3722-000143 | JACK-PHONE;1P(VER),AG,BLK,ANGLE | 1 | S.A | |
| ...3 | JA330 | 3722-001061 | JACK-PHONE;1P,3.6PI,AG,BLK,N | 1 | S.A | |
| ...3 | JA330 | 3722-001061 | JACK-PHONE;1P,3.6PI,AG,BLK,N | 1 | S.A | |
| ...3 | CN3108_NSI | 3722-002275 | JACK-DIN;4P,-,SN,BLK,- | 1 | S.A | |
| ...3 | CN3111_NSI | 3722-002546 | JACK-USB;4P/1C,AU,BLK,ANGLE,A type | 1 | S.N.A | |
| ...3 | JA3202 | 3722-002681 | JACK-SCART;42P,SN,BLK | 1 | S.A | |
| ...3 | JA333 | 3722-002690 | JACK-PIN;3P,Ni,RED/WHT/YEL,ANGLE | 1 | S.A | |
| ...3 | JA333 | 3722-002691 | JACK-PIN;2P,Ni,WHT/RED,STRAIGHT | 1 | S.A | |
| ...3 | JA333 | 3722-002691 | JACK-PIN;2P,Ni,WHT/RED,STRAIGHT | 1 | S.A | |
| ...3 | JA333 | 3722-002691 | JACK-PIN;2P,Ni,WHT/RED,STRAIGHT | 1 | S.A | |
| ...3 | JA333 | 3722-002703 | JACK-PIN;3P,Ni,GRN/BLU/RED,STRAIGHT | 1 | S.A | |
| ...3 | CIS3 | BN40-00120A | TUNER;TDHG6-K10A,TDHG6-K10A,DVB-T,181CH, | 1 | S.A | |
| ...3 | HDCP | BN97-00688B | ASSY HDCP;MT8202 IC HDCP Key' | 1 | S.N.A | |
| ...4 | | BN46-00018A | KEY CODE-CERTIFICATE;(HDCP KEY)PPM42M5S, | 1 | S.N.A | |
| ...3 | T0174 | BN97-02033E | ASSY SMD;LE32A556P1F/*,N46A | 1 | S.N.A | |
| ...4 | SUB05 | 0202-001477 | SOLDER-CREAM;LST309-M,-,D20-45##,96.5Sn/ | 2.999 | S.N.A | |
| ...4 | D1104 | 0401-001056 | DIODE-SWITCHING;MMBD4148SE,100V,200mA,SO | 1 | S.A | |
| ...4 | D3101 | 0401-001056 | DIODE-SWITCHING;MMBD4148SE,100V,200mA,SO | 1 | S.A | |
| ...4 | D3102 | 0401-001056 | DIODE-SWITCHING;MMBD4148SE,100V,200mA,SO | 1 | S.A | |
| ...4 | D3103 | 0401-001056 | DIODE-SWITCHING;MMBD4148SE,100V,200mA,SO | 1 | S.A | |
| ...4 | D3104 | 0401-001056 | DIODE-SWITCHING;MMBD4148SE,100V,200mA,SO | 1 | S.A | |
| ...4 | D3105 | 0401-001056 | DIODE-SWITCHING;MMBD4148SE,100V,200mA,SO | 1 | S.A | |
| ...4 | D3106 | 0401-001056 | DIODE-SWITCHING;MMBD4148SE,100V,200mA,SO | 1 | S.A | |
| ...4 | D3108 | 0401-001056 | DIODE-SWITCHING;MMBD4148SE,100V,200mA,SO | 1 | S.A | |
| ...4 | D3109 | 0401-001056 | DIODE-SWITCHING;MMBD4148SE,100V,200mA,SO | 1 | S.A | |
| ...4 | D3144 | 0401-001056 | DIODE-SWITCHING;MMBD4148SE,100V,200mA,SO | 1 | S.A | |
| ...4 | D3146 | 0401-001056 | DIODE-SWITCHING;MMBD4148SE,100V,200mA,SO | 1 | S.A | |
| ...4 | D3147 | 0401-001056 | DIODE-SWITCHING;MMBD4148SE,100V,200mA,SO | 1 | S.A | |
| ...4 | D3149 | 0401-001056 | DIODE-SWITCHING;MMBD4148SE,100V,200mA,SO | 1 | S.A | |
| ...4 | D3150 | 0401-001056 | DIODE-SWITCHING;MMBD4148SE,100V,200mA,SO | 1 | S.A | |
| ...4 | D3151 | 0401-001056 | DIODE-SWITCHING;MMBD4148SE,100V,200mA,SO | 1 | S.A | |
| ...4 | D3152 | 0401-001056 | DIODE-SWITCHING;MMBD4148SE,100V,200mA,SO | 1 | S.A | |
| ...4 | D3153 | 0401-001056 | DIODE-SWITCHING;MMBD4148SE,100V,200mA,SO | 1 | S.A | |
| ...4 | D3154 | 0401-001056 | DIODE-SWITCHING;MMBD4148SE,100V,200mA,SO | 1 | S.A | |
| ...4 | D3155 | 0401-001056 | DIODE-SWITCHING;MMBD4148SE,100V,200mA,SO | 1 | S.A | |
| ...4 | D3158 | 0401-001056 | DIODE-SWITCHING;MMBD4148SE,100V,200mA,SO | 1 | S.A | |
| ...4 | D3159 | 0401-001056 | DIODE-SWITCHING;MMBD4148SE,100V,200mA,SO | 1 | S.A | |
| ...4 | D3161 | 0401-001056 | DIODE-SWITCHING;MMBD4148SE,100V,200mA,SO | 1 | S.A | |
| ...4 | D3162 | 0401-001056 | DIODE-SWITCHING;MMBD4148SE,100V,200mA,SO | 1 | S.A | |

| Level | Location No. | Code No. | Description & Specification | Q'ty | SA/SNA | Remark |
|-------|--------------|-------------|--|------|--------|--------|
| ...4 | D3163 | 0401-001056 | DIODE-SWITCHING;MMBD4148SE,100V,200mA,SO | 1 | S.A | |
| ...4 | D3165 | 0401-001056 | DIODE-SWITCHING;MMBD4148SE,100V,200mA,SO | 1 | S.A | |
| ...4 | D3166 | 0401-001056 | DIODE-SWITCHING;MMBD4148SE,100V,200mA,SO | 1 | S.A | |
| ...4 | D3168 | 0401-001056 | DIODE-SWITCHING;MMBD4148SE,100V,200mA,SO | 1 | S.A | |
| ...4 | D3170 | 0401-001056 | DIODE-SWITCHING;MMBD4148SE,100V,200mA,SO | 1 | S.A | |
| ...4 | D3173 | 0401-001056 | DIODE-SWITCHING;MMBD4148SE,100V,200mA,SO | 1 | S.A | |
| ...4 | D3195 | 0401-001056 | DIODE-SWITCHING;MMBD4148SE,100V,200mA,SO | 1 | S.A | |
| ...4 | D3196 | 0401-001056 | DIODE-SWITCHING;MMBD4148SE,100V,200mA,SO | 1 | S.A | |
| ...4 | D3197 | 0401-001056 | DIODE-SWITCHING;MMBD4148SE,100V,200mA,SO | 1 | S.A | |
| ...4 | D3198 | 0401-001056 | DIODE-SWITCHING;MMBD4148SE,100V,200mA,SO | 1 | S.A | |
| ...4 | D3200 | 0401-001056 | DIODE-SWITCHING;MMBD4148SE,100V,200mA,SO | 1 | S.A | |
| ...4 | D3201 | 0401-001056 | DIODE-SWITCHING;MMBD4148SE,100V,200mA,SO | 1 | S.A | |
| ...4 | D3202 | 0401-001056 | DIODE-SWITCHING;MMBD4148SE,100V,200mA,SO | 1 | S.A | |
| ...4 | D3203 | 0401-001056 | DIODE-SWITCHING;MMBD4148SE,100V,200mA,SO | 1 | S.A | |
| ...4 | D3204 | 0401-001056 | DIODE-SWITCHING;MMBD4148SE,100V,200mA,SO | 1 | S.A | |
| ...4 | D3206 | 0401-001056 | DIODE-SWITCHING;MMBD4148SE,100V,200mA,SO | 1 | S.A | |
| ...4 | D3207 | 0401-001056 | DIODE-SWITCHING;MMBD4148SE,100V,200mA,SO | 1 | S.A | |
| ...4 | D3254 | 0401-001056 | DIODE-SWITCHING;MMBD4148SE,100V,200mA,SO | 1 | S.A | |
| ...4 | D3255 | 0401-001056 | DIODE-SWITCHING;MMBD4148SE,100V,200mA,SO | 1 | S.A | |
| ...4 | D3256 | 0401-001056 | DIODE-SWITCHING;MMBD4148SE,100V,200mA,SO | 1 | S.A | |
| ...4 | D5501_CEC | 0401-001056 | DIODE-SWITCHING;MMBD4148SE,100V,200mA,SO | 1 | S.A | |
| ...4 | D2105 | 0401-001099 | DIODE-SWITCHING;1N4148WS,75V,150mA,SOD-3 | 1 | S.A | |
| ...4 | D2106 | 0401-001099 | DIODE-SWITCHING;1N4148WS,75V,150mA,SOD-3 | 1 | S.A | |
| ...4 | D2201 | 0401-001099 | DIODE-SWITCHING;1N4148WS,75V,150mA,SOD-3 | 1 | S.A | |
| ...4 | D3118 | 0401-001099 | DIODE-SWITCHING;1N4148WS,75V,150mA,SOD-3 | 1 | S.A | |
| ...4 | D3120 | 0401-001099 | DIODE-SWITCHING;1N4148WS,75V,150mA,SOD-3 | 1 | S.A | |
| ...4 | D3123 | 0401-001099 | DIODE-SWITCHING;1N4148WS,75V,150mA,SOD-3 | 1 | S.A | |
| ...4 | D5104 | 0401-001099 | DIODE-SWITCHING;1N4148WS,75V,150mA,SOD-3 | 1 | S.A | |
| ...4 | D5105 | 0401-001099 | DIODE-SWITCHING;1N4148WS,75V,150mA,SOD-3 | 1 | S.A | |
| ...4 | D5201 | 0401-001099 | DIODE-SWITCHING;1N4148WS,75V,150mA,SOD-3 | 1 | S.A | |
| ...4 | D0254 | 0402-000553 | DIODE-SCHOTTKY;SS24/B240,40V,2000mA,DO-2 | 1 | S.A | |
| ...4 | D0254 | 0402-000553 | DIODE-SCHOTTKY;SS24/B240,40V,2000mA,DO-2 | 1 | S.A | |
| ...4 | D1211_NCMO | 0402-001098 | DIODE-RECTIFIER;SK34,40V,3A,SMC,TP | 1 | S.A | |
| ...4 | D2107 | 0403-000002 | DIODE-ZENER;VLZ5V6B,5.45/5.73V,500mW,SOD | 1 | S.A | |
| ...4 | D3115 | 0403-000002 | DIODE-ZENER;VLZ5V6B,5.45/5.73V,500mW,SOD | 1 | S.A | |
| ...4 | D3125 | 0403-000002 | DIODE-ZENER;VLZ5V6B,5.45/5.73V,500mW,SOD | 1 | S.A | |
| ...4 | D3126 | 0403-000002 | DIODE-ZENER;VLZ5V6B,5.45/5.73V,500mW,SOD | 1 | S.A | |
| ...4 | D3129 | 0403-000002 | DIODE-ZENER;VLZ5V6B,5.45/5.73V,500mW,SOD | 1 | S.A | |
| ...4 | D3132 | 0403-000002 | DIODE-ZENER;VLZ5V6B,5.45/5.73V,500mW,SOD | 1 | S.A | |
| ...4 | D3134 | 0403-000002 | DIODE-ZENER;VLZ5V6B,5.45/5.73V,500mW,SOD | 1 | S.A | |
| ...4 | D3137 | 0403-000002 | DIODE-ZENER;VLZ5V6B,5.45/5.73V,500mW,SOD | 1 | S.A | |
| ...4 | D3148 | 0403-000002 | DIODE-ZENER;VLZ5V6B,5.45/5.73V,500mW,SOD | 1 | S.A | |
| ...4 | D3186_NSID | 0403-000002 | DIODE-ZENER;VLZ5V6B,5.45/5.73V,500mW,SOD | 1 | S.A | |
| ...4 | D3205 | 0403-000002 | DIODE-ZENER;VLZ5V6B,5.45/5.73V,500mW,SOD | 1 | S.A | |
| ...4 | D5103 | 0403-000002 | DIODE-ZENER;VLZ5V6B,5.45/5.73V,500mW,SOD | 1 | S.A | |
| ...4 | D5111 | 0403-000258 | DIODE-ZENER;BZX84C5V6,5.2-6V,225mW,SOT-2 | 1 | S.A | |
| ...4 | D5101 | 0403-000584 | DIODE-ZENER;VLZ3V6B,3.6/3.845V,500mW,SOD | 1 | S.N.A | |
| ...4 | D3141 | 0403-000771 | DIODE-ZENER;VLZ6V2B,5.96-6.27V,500mW,SOD | 1 | S.A | |
| ...4 | D3156 | 0403-000771 | DIODE-ZENER;VLZ6V2B,5.96-6.27V,500mW,SOD | 1 | S.A | |
| ...4 | D3191 | 0403-000771 | DIODE-ZENER;VLZ6V2B,5.96-6.27V,500mW,SOD | 1 | S.A | |
| ...4 | D3199 | 0403-001052 | DIODE-ZENER;RD8.2MB,7.7-8.7V,200mW,SOT-2 | 1 | S.A | |

5. Exploded View & Part List

| Level | Location No. | Code No. | Description & Specification | Q'ty | SA/SNA | Remark |
|-------|--------------|-------------|--|------|--------|--------|
| ...4 | D1111 | 0403-001425 | DIODE-ZENER;BZX84C33,31-35V,350mW,SOT-23 | 1 | S.A | |
| ...4 | D0254 | 0404-001404 | DIODE-SCHOTTKY;BAT721C,40V,200mA,SOT-23, | 1 | S.A | |
| ...4 | D0254 | 0404-001404 | DIODE-SCHOTTKY;BAT721C,40V,200mA,SOT-23, | 1 | S.A | |
| ...4 | D0254 | 0404-001404 | DIODE-SCHOTTKY;BAT721C,40V,200mA,SOT-23, | 1 | S.A | |
| ...4 | D3119 | 0406-001172 | DIODE-TVS;CDS3C30GTH,48/-/50V,SMD | 1 | S.A | |
| ...4 | D3122 | 0406-001172 | DIODE-TVS;CDS3C30GTH,48/-/50V,SMD | 1 | S.A | |
| ...4 | D3138 | 0406-001172 | DIODE-TVS;CDS3C30GTH,48/-/50V,SMD | 1 | S.A | |
| ...4 | D3139 | 0406-001172 | DIODE-TVS;CDS3C30GTH,48/-/50V,SMD | 1 | S.A | |
| ...4 | D3179 | 0406-001172 | DIODE-TVS;CDS3C30GTH,48/-/50V,SMD | 1 | S.A | |
| ...4 | D3180 | 0406-001172 | DIODE-TVS;CDS3C30GTH,48/-/50V,SMD | 1 | S.A | |
| ...4 | D3182_NSID | 0406-001172 | DIODE-TVS;CDS3C30GTH,48/-/50V,SMD | 1 | S.A | |
| ...4 | D3183_NSID | 0406-001172 | DIODE-TVS;CDS3C30GTH,48/-/50V,SMD | 1 | S.A | |
| ...4 | D3184_NSID | 0406-001172 | DIODE-TVS;CDS3C30GTH,48/-/50V,SMD | 1 | S.A | |
| ...4 | D3185_NSID | 0406-001172 | DIODE-TVS;CDS3C30GTH,48/-/50V,SMD | 1 | S.A | |
| ...4 | D3188_NSID | 0406-001172 | DIODE-TVS;CDS3C30GTH,48/-/50V,SMD | 1 | S.A | |
| ...4 | D3189_NSID | 0406-001172 | DIODE-TVS;CDS3C30GTH,48/-/50V,SMD | 1 | S.A | |
| ...4 | D3190_NSID | 0406-001172 | DIODE-TVS;CDS3C30GTH,48/-/50V,SMD | 1 | S.A | |
| ...4 | D3251 | 0406-001172 | DIODE-TVS;CDS3C30GTH,48/-/50V,SMD | 1 | S.A | |
| ...4 | D3252 | 0406-001172 | DIODE-TVS;CDS3C30GTH,48/-/50V,SMD | 1 | S.A | |
| ...4 | D3208 | 0406-001181 | DIODE-TVS;NUP4201MR6,6/-/-V,500W,TSOP-6 | 1 | S.A | |
| ...4 | D2104 | 0407-000123 | DIODE-ARRAY;DAN202K,80V,100mA,CA2-3,SOT- | 1 | S.A | |
| ...4 | D2108 | 0407-000123 | DIODE-ARRAY;DAN202K,80V,100mA,CA2-3,SOT- | 1 | S.A | |
| ...4 | D2110 | 0407-000123 | DIODE-ARRAY;DAN202K,80V,100mA,CA2-3,SOT- | 1 | S.A | |
| ...4 | D7201 | 0407-000123 | DIODE-ARRAY;DAN202K,80V,100mA,CA2-3,SOT- | 1 | S.A | |
| ...4 | D7202 | 0407-000123 | DIODE-ARRAY;DAN202K,80V,100mA,CA2-3,SOT- | 1 | S.A | |
| ...4 | D7203 | 0407-000123 | DIODE-ARRAY;DAN202K,80V,100mA,CA2-3,SOT- | 1 | S.A | |
| ...4 | D7204 | 0407-000123 | DIODE-ARRAY;DAN202K,80V,100mA,CA2-3,SOT- | 1 | S.A | |
| ...4 | D7205 | 0407-000123 | DIODE-ARRAY;DAN202K,80V,100mA,CA2-3,SOT- | 1 | S.A | |
| ...4 | D7206 | 0407-000123 | DIODE-ARRAY;DAN202K,80V,100mA,CA2-3,SOT- | 1 | S.A | |
| ...4 | Q7001 | 0501-000002 | TR-SMALL SIGNAL;KSA812,PNP,150MW,SOT-23, | 1 | S.A | |
| ...4 | Q7002 | 0501-000002 | TR-SMALL SIGNAL;KSA812,PNP,150MW,SOT-23, | 1 | S.A | |
| ...4 | Q5201 | 0501-000434 | TR-SMALL SIGNAL;KTC3875S-GR,NPN,150mW,SO | 1 | S.A | |
| ...4 | Q7402 | 0501-000434 | TR-SMALL SIGNAL;KTC3875S-GR,NPN,150mW,SO | 1 | S.A | |
| ...4 | Q1104 | 0501-000445 | TR-SMALL SIGNAL;KTC3875S-Y,NPN,150mW,SOT | 1 | S.A | |
| ...4 | Q1111 | 0501-000445 | TR-SMALL SIGNAL;KTC3875S-Y,NPN,150mW,SOT | 1 | S.A | |
| ...4 | Q2102 | 0501-000445 | TR-SMALL SIGNAL;KTC3875S-Y,NPN,150mW,SOT | 1 | S.A | |
| ...4 | Q3101 | 0501-000445 | TR-SMALL SIGNAL;KTC3875S-Y,NPN,150mW,SOT | 1 | S.A | |
| ...4 | Q3102 | 0501-000445 | TR-SMALL SIGNAL;KTC3875S-Y,NPN,150mW,SOT | 1 | S.A | |
| ...4 | Q3106 | 0501-000445 | TR-SMALL SIGNAL;KTC3875S-Y,NPN,150mW,SOT | 1 | S.A | |
| ...4 | Q3107 | 0501-000445 | TR-SMALL SIGNAL;KTC3875S-Y,NPN,150mW,SOT | 1 | S.A | |
| ...4 | Q3111 | 0501-000445 | TR-SMALL SIGNAL;KTC3875S-Y,NPN,150mW,SOT | 1 | S.A | |
| ...4 | Q3112 | 0501-000445 | TR-SMALL SIGNAL;KTC3875S-Y,NPN,150mW,SOT | 1 | S.A | |
| ...4 | Q3113 | 0501-000445 | TR-SMALL SIGNAL;KTC3875S-Y,NPN,150mW,SOT | 1 | S.A | |
| ...4 | Q3114 | 0501-000445 | TR-SMALL SIGNAL;KTC3875S-Y,NPN,150mW,SOT | 1 | S.A | |
| ...4 | Q3151_NPN | 0501-000445 | TR-SMALL SIGNAL;KTC3875S-Y,NPN,150mW,SOT | 1 | S.A | |
| ...4 | Q3152_NPN | 0501-000445 | TR-SMALL SIGNAL;KTC3875S-Y,NPN,150mW,SOT | 1 | S.A | |
| ...4 | Q5104 | 0501-000445 | TR-SMALL SIGNAL;KTC3875S-Y,NPN,150mW,SOT | 1 | S.A | |
| ...4 | Q5108 | 0501-000445 | TR-SMALL SIGNAL;KTC3875S-Y,NPN,150mW,SOT | 1 | S.A | |
| ...4 | Q5109 | 0501-000445 | TR-SMALL SIGNAL;KTC3875S-Y,NPN,150mW,SOT | 1 | S.A | |
| ...4 | Q5202 | 0501-000445 | TR-SMALL SIGNAL;KTC3875S-Y,NPN,150mW,SOT | 1 | S.A | |
| ...4 | Q6101_DIM | 0501-000445 | TR-SMALL SIGNAL;KTC3875S-Y,NPN,150mW,SOT | 1 | S.A | |

5. Exploded View & Part List

| Level | Location No. | Code No. | Description & Specification | Q'ty | SA/SNA | Remark |
|-------|--------------|-------------|--|------|--------|--------|
| ...4 | Q2101 | 0501-000669 | TR-SMALL SIGNAL;KTA1505Y,PNP,150mW,SOT-2 | 1 | S.A | |
| ...4 | Q2103 | 0501-000669 | TR-SMALL SIGNAL;KTA1505Y,PNP,150mW,SOT-2 | 1 | S.A | |
| ...4 | Q3104 | 0501-000669 | TR-SMALL SIGNAL;KTA1505Y,PNP,150mW,SOT-2 | 1 | S.A | |
| ...4 | Q3109 | 0501-000669 | TR-SMALL SIGNAL;KTA1505Y,PNP,150mW,SOT-2 | 1 | S.A | |
| ...4 | Q1101_L | 0501-002080 | TR-SMALL SIGNAL;2SC2412K,NPN,200mW,SC-59 | 1 | S.A | |
| ...4 | Q1102_50HZ | 0501-002080 | TR-SMALL SIGNAL;2SC2412K,NPN,200mW,SC-59 | 1 | S.A | |
| ...4 | Q3103 | 0501-002080 | TR-SMALL SIGNAL;2SC2412K,NPN,200mW,SC-59 | 1 | S.A | |
| ...4 | Q3105 | 0501-002080 | TR-SMALL SIGNAL;2SC2412K,NPN,200mW,SC-59 | 1 | S.A | |
| ...4 | Q3108 | 0501-002080 | TR-SMALL SIGNAL;2SC2412K,NPN,200mW,SC-59 | 1 | S.A | |
| ...4 | Q3110 | 0501-002080 | TR-SMALL SIGNAL;2SC2412K,NPN,200mW,SC-59 | 1 | S.A | |
| ...4 | Q3153_NPN | 0501-002080 | TR-SMALL SIGNAL;2SC2412K,NPN,200mW,SC-59 | 1 | S.A | |
| ...4 | Q3116 | 0501-002184 | TR-SMALL SIGNAL;KTD1304,NPN,200mW,SOT-23 | 1 | S.A | |
| ...4 | Q3117 | 0501-002184 | TR-SMALL SIGNAL;KTD1304,NPN,200mW,SOT-23 | 1 | S.A | |
| ...4 | Q409 | 0505-000110 | FET-SILICON;2N7002,N,60V,115mA,7.5ohm,0. | 1 | S.A | |
| ...4 | Q409 | 0505-000110 | FET-SILICON;2N7002,N,60V,115mA,7.5ohm,0. | 1 | S.A | |
| ...4 | Q409 | 0505-000110 | FET-SILICON;2N7002,N,60V,115mA,7.5ohm,0. | 1 | S.A | |
| ...4 | Q409 | 0505-000110 | FET-SILICON;2N7002,N,60V,115mA,7.5ohm,0. | 1 | S.A | |
| ...4 | Q409 | 0505-000110 | FET-SILICON;2N7002,N,60V,115mA,7.5ohm,0. | 1 | S.A | |
| ...4 | Q409 | 0505-001170 | FET-SILICON;SI9933ADY-T1,P,-20V,3.4A,0.0 | 1 | S.A | |
| ...4 | IC104 | 0801-002095 | IC-CMOS LOGIC;74LCX245,TRANSCEIVER,TSSOP | 1 | S.A | |
| ...4 | IC104 | 0801-002172 | IC-CMOS LOGIC;74LCX16244,BUFFER/LINE DRI | 1 | S.A | |
| ...4 | IC104 | 0801-002172 | IC-CMOS LOGIC;74LCX16244,BUFFER/LINE DRI | 1 | S.A | |
| ...4 | IC104 | 0801-002172 | IC-CMOS LOGIC;74LCX16244,BUFFER/LINE DRI | 1 | S.A | |
| ...4 | IC104 | 0801-002432 | IC-CMOS LOGIC;74LVC244,8BIT BUFFER/DRIVE | 1 | S.N.A | |
| ...4 | IC104 | 0801-002630 | IC-CMOS LOGIC;74AHCT1G08,2-INPUT AND GAT | 1 | S.A | |
| ...4 | IC104 | 0801-003239 | IC-CMOS LOGIC;74LVC1G00,2-input NAND Gat | 1 | S.A | |
| ...4 | IC104 | 0801-003239 | IC-CMOS LOGIC;74LVC1G00,2-input NAND Gat | 1 | S.A | |
| ...4 | IC5110 | 1001-000164 | IC-ANALOG MULTIPLEX;74HC4052,CMOS,SOP,16 | 1 | S.A | |
| ...4 | IC106 | 1001-001513 | IC-VIDEO SWITCH;TMDS351PAG,TQFP,64P,9x9m | 1 | S.A | |
| ...4 | IC5108 | 1001-001523 | IC-ANALOG MULTIPLEX;74HC4052PW,TSSOP,16P | 1 | S.A | |
| ...4 | IC107 | 1002-001482 | IC-D/A CONVERTER;WM8521H9GED/R,16bit,SOI | 1 | S.A | |
| ...4 | IC2102 | 1002-001509 | IC-A/D&D/A CONVERTER;MT8291,24bit,LQFP,4 | 1 | S.A | |
| ...4 | IC110 | 1006-001076 | IC-DRIVER/RECEIVER;MAX232ECWE+T,SOP,16P, | 1 | S.A | |
| ...4 | IC112 | 1103-000129 | IC-EEPROM;24C02,2Kbit,256x8Bit,SOP,8P,5x | 1 | S.A | |
| ...4 | IC112 | 1103-000129 | IC-EEPROM;24C02,2Kbit,256x8Bit,SOP,8P,5x | 1 | S.A | |
| ...4 | IC112 | 1103-000129 | IC-EEPROM;24C02,2Kbit,256x8Bit,SOP,8P,5x | 1 | S.A | |
| ...4 | IC112 | 1103-000129 | IC-EEPROM;24C02,2Kbit,256x8Bit,SOP,8P,5x | 1 | S.A | |
| ...4 | IC112 | 1103-001385 | IC-EEPROM;AT24C256,256Kbit,32Kx8,SOP,8P, | 1 | S.A | |
| ...4 | IC112 | 1103-001410 | IC-EEPROM;S-24CS08AFJ-TB-1GE,8Kbit,1Kx8, | 1 | S.A | |
| ...4 | IC113 | 1105-001712 | IC-DRAM;HYB25D256163CE,DDR,256Mbit,16Mx1 | 1 | S.A | |
| ...4 | IC5104 | 1105-001862 | IC-DDR2 SDRAM;K4T56163QI-ZCF7,DDR2 SDRAM | 1 | S.A | |
| ...4 | IC5106 | 1105-001862 | IC-DDR2 SDRAM;K4T56163QI-ZCF7,DDR2 SDRAM | 1 | S.A | |
| ...4 | DU410 | 1201-000166 | IC-OP AMP;LM358,SOP,ST,8P,150MIL,DUAL,10 | 1 | S.A | |
| ...4 | T0124 | 1201-002677 | IC-POWER AMP;NTP3100,QFN56,56P,8x8mm,DUA | 1 | S.A | |
| ...4 | T0087 | 1203-001815 | IC-POSI.FIXED REG.;78M09,TO-252,3P,-,PLA | 1 | S.A | |
| ...4 | T0087 | 1203-002842 | IC-POSI.FIXED REG.;AP1117D-33A,TO-252,3P | 1 | S.A | |
| ...4 | T0087 | 1203-002974 | IC-POSI.FIXED REG.;AP1117D-25A,TO-252,3P | 1 | S.A | |
| ...4 | IC012 | 1203-002995 | IC-POSI.ADJUST REG.;AP1117D-A,TO-252,3P, | 1 | S.A | |
| ...4 | IC012 | 1203-002995 | IC-POSI.ADJUST REG.;AP1117D-A,TO-252,3P, | 1 | S.A | |
| ...4 | IC3104 | 1203-003394 | IC-POWER SUPERVISOR;MIC2544-1YM,SOP,8P,4 | 1 | S.A | |
| ...4 | IC7206 | 1203-003394 | IC-POWER SUPERVISOR;MIC2544-1YM,SOP,8P,4 | 1 | S.A | |

5. Exploded View & Part List

| Level | Location No. | Code No. | Description & Specification | Q'ty | SA/SNA | Remark |
|-------|--------------|-------------|---------------------------------|------|--------|--------|
|4 | R110 | 2007-000174 | R-CHIP;47ohm,5%,1/16W,TP,1005 | 1 | S.N.A | |
|4 | R110 | 2007-000174 | R-CHIP;47ohm,5%,1/16W,TP,1005 | 1 | S.N.A | |
|4 | R110 | 2007-000174 | R-CHIP;47ohm,5%,1/16W,TP,1005 | 1 | S.N.A | |
|4 | R110 | 2007-000174 | R-CHIP;47ohm,5%,1/16W,TP,1005 | 1 | S.N.A | |
|4 | R110 | 2007-000174 | R-CHIP;47ohm,5%,1/16W,TP,1005 | 1 | S.N.A | |
|4 | R110 | 2007-000174 | R-CHIP;47ohm,5%,1/16W,TP,1005 | 1 | S.N.A | |
|4 | R110 | 2007-000242 | R-CHIP;1.5KOHM,5%,1/16W,TP,1005 | 1 | S.N.A | |
|4 | R110 | 2007-000416 | R-CHIP;15ohm,5%,1/10W,TP,1608 | 1 | S.A | |
|4 | R110 | 2007-000458 | R-CHIP;18Kohm,5%,1/10W,TP,1608 | 1 | S.A | |
|4 | R110 | 2007-000458 | R-CHIP;18Kohm,5%,1/10W,TP,1608 | 1 | S.A | |
|4 | R110 | 2007-000539 | R-CHIP;200ohm,5%,1/10W,TP,1608 | 1 | S.A | |
|4 | R110 | 2007-000539 | R-CHIP;200ohm,5%,1/10W,TP,1608 | 1 | S.A | |
|4 | R110 | 2007-000539 | R-CHIP;200ohm,5%,1/10W,TP,1608 | 1 | S.A | |
|4 | R110 | 2007-000539 | R-CHIP;200ohm,5%,1/10W,TP,1608 | 1 | S.A | |
|4 | R110 | 2007-000570 | R-CHIP;220OHM,1%,1/10W,TP,1608 | 1 | S.A | |
|4 | R110 | 2007-000583 | R-CHIP;22Kohm,1%,1/10W,TP,1608 | 1 | S.A | |
|4 | R110 | 2007-000591 | R-CHIP;22ohm,1%,1/10W,TP,1608 | 1 | S.A | |
|4 | R110 | 2007-000606 | R-CHIP;240ohm,1%,1/10W,TP,1608 | 1 | S.A | |
|4 | R110 | 2007-000608 | R-CHIP;240ohm,5%,1/10W,TP,1608 | 1 | S.A | |
|4 | R110 | 2007-000608 | R-CHIP;240ohm,5%,1/10W,TP,1608 | 1 | S.A | |
|4 | R110 | 2007-000763 | R-CHIP;330ohm,1%,1/10W,TP,1608 | 1 | S.A | |
|4 | R110 | 2007-000775 | R-CHIP;33KOHM,5%,1/16W,TP,1005 | 1 | S.N.A | |
|4 | R110 | 2007-000775 | R-CHIP;33KOHM,5%,1/16W,TP,1005 | 1 | S.N.A | |
|4 | R110 | 2007-000775 | R-CHIP;33KOHM,5%,1/16W,TP,1005 | 1 | S.N.A | |
|4 | R110 | 2007-000775 | R-CHIP;33KOHM,5%,1/16W,TP,1005 | 1 | S.N.A | |
|4 | R110 | 2007-000775 | R-CHIP;33KOHM,5%,1/16W,TP,1005 | 1 | S.N.A | |
|4 | R110 | 2007-000775 | R-CHIP;33KOHM,5%,1/16W,TP,1005 | 1 | S.N.A | |
|4 | R110 | 2007-000775 | R-CHIP;33KOHM,5%,1/16W,TP,1005 | 1 | S.N.A | |
|4 | R110 | 2007-000775 | R-CHIP;33KOHM,5%,1/16W,TP,1005 | 1 | S.N.A | |
|4 | R110 | 2007-000775 | R-CHIP;33KOHM,5%,1/16W,TP,1005 | 1 | S.N.A | |
|4 | R110 | 2007-000775 | R-CHIP;33KOHM,5%,1/16W,TP,1005 | 1 | S.N.A | |
|4 | R110 | 2007-000775 | R-CHIP;33KOHM,5%,1/16W,TP,1005 | 1 | S.N.A | |
|4 | R110 | 2007-000775 | R-CHIP;33KOHM,5%,1/16W,TP,1005 | 1 | S.N.A | |
|4 | R110 | 2007-000775 | R-CHIP;33KOHM,5%,1/16W,TP,1005 | 1 | S.N.A | |
|4 | R110 | 2007-000775 | R-CHIP;33KOHM,5%,1/16W,TP,1005 | 1 | S.N.A | |
|4 | R110 | 2007-000775 | R-CHIP;33KOHM,5%,1/16W,TP,1005 | 1 | S.N.A | |
|4 | R110 | 2007-000775 | R-CHIP;33KOHM,5%,1/16W,TP,1005 | 1 | S.N.A | |
|4 | R110 | 2007-000775 | R-CHIP;33KOHM,5%,1/16W,TP,1005 | 1 | S.N.A | |
|4 | R110 | 2007-000775 | R-CHIP;33KOHM,5%,1/16W,TP,1005 | 1 | S.N.A | |
|4 | R110 | 2007-000775 | R-CHIP;33KOHM,5%,1/16W,TP,1005 | 1 | S.N.A | |
|4 | R110 | 2007-000828 | R-CHIP;39Kohm,1%,1/10W,TP,1608 | 1 | S.A | |
|4 | R110 | 2007-000932 | R-CHIP;470OHM,5%,1/16W,TP,1005 | 1 | S.N.A | |
|4 | R110 | 2007-000932 | R-CHIP;470OHM,5%,1/16W,TP,1005 | 1 | S.N.A | |
|4 | R110 | 2007-000932 | R-CHIP;470OHM,5%,1/16W,TP,1005 | 1 | S.N.A | |
|4 | R110 | 2007-000932 | R-CHIP;470OHM,5%,1/16W,TP,1005 | 1 | S.N.A | |
|4 | R110 | 2007-000932 | R-CHIP;470OHM,5%,1/16W,TP,1005 | 1 | S.N.A | |
|4 | R110 | 2007-000932 | R-CHIP;470OHM,5%,1/16W,TP,1005 | 1 | S.N.A | |
|4 | R110 | 2007-000932 | R-CHIP;470OHM,5%,1/16W,TP,1005 | 1 | S.N.A | |
|4 | R110 | 2007-000932 | R-CHIP;470OHM,5%,1/16W,TP,1005 | 1 | S.N.A | |
|4 | R110 | 2007-000932 | R-CHIP;470OHM,5%,1/16W,TP,1005 | 1 | S.N.A | |
|4 | R110 | 2007-000950 | R-CHIP;47ohm,5%,1/4W,TP,3216 | 1 | S.A | |

5. Exploded View & Part List

| Level | Location No. | Code No. | Description & Specification | Q'ty | SA/SNA | Remark |
|-------|--------------|-------------|--|------|--------|--------|
|4 | R110 | 2007-007318 | R-CHIP;1Kohm,1%,1/16W,TP,1005 | 1 | S.N.A | |
|4 | R110 | 2007-007318 | R-CHIP;1Kohm,1%,1/16W,TP,1005 | 1 | S.N.A | |
|4 | R110 | 2007-007698 | R-CHIP;5.1KOHM,1%,1/16W,TP,1005 | 1 | S.N.A | |
|4 | R110 | 2007-007723 | R-CHIP;75Kohm,1%,1/10W,TP,1608 | 1 | S.A | |
|4 | RA5104 | 2011-000585 | R-NETWORK;47ohm,5%,1/16W,L,CHIP,8P,TP,3. | 1 | S.A | |
|4 | RA5105 | 2011-000585 | R-NETWORK;47ohm,5%,1/16W,L,CHIP,8P,TP,3. | 1 | S.A | |
|4 | RA5106 | 2011-000585 | R-NETWORK;47ohm,5%,1/16W,L,CHIP,8P,TP,3. | 1 | S.A | |
|4 | RA5107 | 2011-000585 | R-NETWORK;47ohm,5%,1/16W,L,CHIP,8P,TP,3. | 1 | S.A | |
|4 | RA5108 | 2011-000585 | R-NETWORK;47ohm,5%,1/16W,L,CHIP,8P,TP,3. | 1 | S.A | |
|4 | RA5109 | 2011-000585 | R-NETWORK;47ohm,5%,1/16W,L,CHIP,8P,TP,3. | 1 | S.A | |
|4 | RA3101 | 2011-000651 | R-NETWORK;10ohm,5%,1/16W,L,CHIP,8P,TP,32 | 1 | S.A | |
|4 | RA3102 | 2011-000651 | R-NETWORK;10ohm,5%,1/16W,L,CHIP,8P,TP,32 | 1 | S.A | |
|4 | RA3103 | 2011-000651 | R-NETWORK;10ohm,5%,1/16W,L,CHIP,8P,TP,32 | 1 | S.A | |
|4 | RA3104 | 2011-000651 | R-NETWORK;10ohm,5%,1/16W,L,CHIP,8P,TP,32 | 1 | S.A | |
|4 | RA3109 | 2011-000651 | R-NETWORK;10ohm,5%,1/16W,L,CHIP,8P,TP,32 | 1 | S.A | |
|4 | RA3110 | 2011-000651 | R-NETWORK;10ohm,5%,1/16W,L,CHIP,8P,TP,32 | 1 | S.A | |
|4 | RA3111 | 2011-000651 | R-NETWORK;10ohm,5%,1/16W,L,CHIP,8P,TP,32 | 1 | S.A | |
|4 | RA3112 | 2011-000651 | R-NETWORK;10ohm,5%,1/16W,L,CHIP,8P,TP,32 | 1 | S.A | |
|4 | RA3117 | 2011-000651 | R-NETWORK;10ohm,5%,1/16W,L,CHIP,8P,TP,32 | 1 | S.A | |
|4 | RA3118 | 2011-000651 | R-NETWORK;10ohm,5%,1/16W,L,CHIP,8P,TP,32 | 1 | S.A | |
|4 | RA5101 | 2011-000816 | R-NETWORK;100ohm,5%,1/16W,L,CHIP,8P,TP,3 | 1 | S.A | |
|4 | RA7104 | 2011-000816 | R-NETWORK;100ohm,5%,1/16W,L,CHIP,8P,TP,3 | 1 | S.A | |
|4 | RA2101 | 2011-000881 | R-NETWORK;33ohm,5%,1/16W,L,CHIP,8P,TP,3. | 1 | S.A | |
|4 | RA3115 | 2011-000881 | R-NETWORK;33ohm,5%,1/16W,L,CHIP,8P,TP,3. | 1 | S.A | |
|4 | RA3116 | 2011-000881 | R-NETWORK;33ohm,5%,1/16W,L,CHIP,8P,TP,3. | 1 | S.A | |
|4 | RA5102 | 2011-000881 | R-NETWORK;33ohm,5%,1/16W,L,CHIP,8P,TP,3. | 1 | S.A | |
|4 | RA5103 | 2011-000881 | R-NETWORK;33ohm,5%,1/16W,L,CHIP,8P,TP,3. | 1 | S.A | |
|4 | RA7103 | 2011-000881 | R-NETWORK;33ohm,5%,1/16W,L,CHIP,8P,TP,3. | 1 | S.A | |
|4 | RA7105 | 2011-000881 | R-NETWORK;33ohm,5%,1/16W,L,CHIP,8P,TP,3. | 1 | S.A | |
|4 | RA7107 | 2011-000881 | R-NETWORK;33ohm,5%,1/16W,L,CHIP,8P,TP,3. | 1 | S.A | |
|4 | RA7108 | 2011-000881 | R-NETWORK;33ohm,5%,1/16W,L,CHIP,8P,TP,3. | 1 | S.A | |
|4 | RA7203 | 2011-000881 | R-NETWORK;33ohm,5%,1/16W,L,CHIP,8P,TP,3. | 1 | S.A | |
|4 | RA7204 | 2011-000881 | R-NETWORK;33ohm,5%,1/16W,L,CHIP,8P,TP,3. | 1 | S.A | |
|4 | R3337_NSID | 2011-001001 | R-NETWORK;0ohm,5%,1/16W,L,CHIP,8P,TP,3.2 | 1 | S.A | |
|4 | R3338_NSID | 2011-001001 | R-NETWORK;0ohm,5%,1/16W,L,CHIP,8P,TP,3.2 | 1 | S.A | |
|4 | R3339_NSID | 2011-001001 | R-NETWORK;0ohm,5%,1/16W,L,CHIP,8P,TP,3.2 | 1 | S.A | |
|4 | RA5243 | 2011-001001 | R-NETWORK;0ohm,5%,1/16W,L,CHIP,8P,TP,3.2 | 1 | S.A | |
|4 | RA5244 | 2011-001001 | R-NETWORK;0ohm,5%,1/16W,L,CHIP,8P,TP,3.2 | 1 | S.A | |
|4 | RA5245 | 2011-001001 | R-NETWORK;0ohm,5%,1/16W,L,CHIP,8P,TP,3.2 | 1 | S.A | |
|4 | RA5246 | 2011-001001 | R-NETWORK;0ohm,5%,1/16W,L,CHIP,8P,TP,3.2 | 1 | S.A | |
|4 | RA5247 | 2011-001001 | R-NETWORK;0ohm,5%,1/16W,L,CHIP,8P,TP,3.2 | 1 | S.A | |
|4 | RA6101 | 2011-001001 | R-NETWORK;0ohm,5%,1/16W,L,CHIP,8P,TP,3.2 | 1 | S.A | |
|4 | RA6169 | 2011-001001 | R-NETWORK;0ohm,5%,1/16W,L,CHIP,8P,TP,3.2 | 1 | S.A | |
|4 | RA6170 | 2011-001001 | R-NETWORK;0ohm,5%,1/16W,L,CHIP,8P,TP,3.2 | 1 | S.A | |
|4 | RA6172 | 2011-001001 | R-NETWORK;0ohm,5%,1/16W,L,CHIP,8P,TP,3.2 | 1 | S.A | |
|4 | RA6173 | 2011-001001 | R-NETWORK;0ohm,5%,1/16W,L,CHIP,8P,TP,3.2 | 1 | S.A | |
|4 | RA7009 | 2011-001011 | R-NETWORK;10Kohm,5%,1/16W,L,CHIP,8P,TP,3 | 1 | S.A | |
|4 | RA7010 | 2011-001011 | R-NETWORK;10Kohm,5%,1/16W,L,CHIP,8P,TP,3 | 1 | S.A | |
|4 | RA7011 | 2011-001011 | R-NETWORK;10Kohm,5%,1/16W,L,CHIP,8P,TP,3 | 1 | S.A | |
|4 | RA7012 | 2011-001011 | R-NETWORK;10Kohm,5%,1/16W,L,CHIP,8P,TP,3 | 1 | S.A | |
|4 | RA7209 | 2011-001011 | R-NETWORK;10Kohm,5%,1/16W,L,CHIP,8P,TP,3 | 1 | S.A | |

5. Exploded View & Part List

| Level | Location No. | Code No. | Description & Specification | Q'ty | SA/SNA | Remark |
|-------|--------------|-------------|--|------|--------|--------|
|4 | C120 | 2203-000489 | C-CER,CHIP;2.2nF,10%,50V,X7R,1005 | 1 | S.A | |
|4 | C120 | 2203-000489 | C-CER,CHIP;2.2nF,10%,50V,X7R,1005 | 1 | S.A | |
|4 | C120 | 2203-000489 | C-CER,CHIP;2.2nF,10%,50V,X7R,1005 | 1 | S.A | |
|4 | C120 | 2203-000489 | C-CER,CHIP;2.2nF,10%,50V,X7R,1005 | 1 | S.A | |
|4 | C120 | 2203-000489 | C-CER,CHIP;2.2nF,10%,50V,X7R,1005 | 1 | S.A | |
|4 | C120 | 2203-000550 | C-CER,CHIP;0.02nF,5%,50V,C0G,1005 | 1 | S.N.A | |
|4 | C120 | 2203-000550 | C-CER,CHIP;0.02nF,5%,50V,C0G,1005 | 1 | S.N.A | |
|4 | C120 | 2203-000627 | C-CER,CHIP;0.022nF,5%,50V,C0G,1005 | 1 | S.N.A | |
|4 | C120 | 2203-000627 | C-CER,CHIP;0.022nF,5%,50V,C0G,1005 | 1 | S.N.A | |
|4 | C120 | 2203-000627 | C-CER,CHIP;0.022nF,5%,50V,C0G,1005 | 1 | S.N.A | |
|4 | C120 | 2203-000714 | C-CER,CHIP;3.3nF,10%,50V,X7R,TP,1005,- | 1 | S.A | |
|4 | C120 | 2203-000714 | C-CER,CHIP;3.3nF,10%,50V,X7R,TP,1005,- | 1 | S.A | |
|4 | C120 | 2203-000783 | C-CER,CHIP;0.33nF,5%,50V,C0G,1608 | 1 | S.A | |
|4 | C120 | 2203-000783 | C-CER,CHIP;0.33nF,5%,50V,C0G,1608 | 1 | S.A | |
|4 | C120 | 2203-000783 | C-CER,CHIP;0.33nF,5%,50V,C0G,1608 | 1 | S.A | |
|4 | C120 | 2203-000783 | C-CER,CHIP;0.33nF,5%,50V,C0G,1608 | 1 | S.A | |
|4 | C120 | 2203-000783 | C-CER,CHIP;0.33nF,5%,50V,C0G,1608 | 1 | S.A | |
|4 | C120 | 2203-000783 | C-CER,CHIP;0.33nF,5%,50V,C0G,1608 | 1 | S.A | |
|4 | C120 | 2203-000783 | C-CER,CHIP;0.33nF,5%,50V,C0G,1608 | 1 | S.A | |
|4 | C120 | 2203-000815 | C-CER,CHIP;0.033nF,5%,50V,C0G,1608 | 1 | S.A | |
|4 | C120 | 2203-000815 | C-CER,CHIP;0.033nF,5%,50V,C0G,1608 | 1 | S.A | |
|4 | C120 | 2203-000925 | C-CER,CHIP;470nF,+80-20%,50V,Y5V,2012 | 1 | S.A | |
|4 | C120 | 2203-000925 | C-CER,CHIP;470nF,+80-20%,50V,Y5V,2012 | 1 | S.A | |
|4 | C120 | 2203-000975 | C-CER,CHIP;47nF,10%,25V,X7R,TP,1608,- | 1 | S.A | |
|4 | C120 | 2203-000975 | C-CER,CHIP;47nF,10%,25V,X7R,TP,1608,- | 1 | S.A | |
|4 | C120 | 2203-000975 | C-CER,CHIP;47nF,10%,25V,X7R,TP,1608,- | 1 | S.A | |
|4 | C120 | 2203-000975 | C-CER,CHIP;47nF,10%,25V,X7R,TP,1608,- | 1 | S.A | |
|4 | C120 | 2203-000975 | C-CER,CHIP;47nF,10%,25V,X7R,TP,1608,- | 1 | S.A | |
|4 | C120 | 2203-000975 | C-CER,CHIP;47nF,10%,25V,X7R,TP,1608,- | 1 | S.A | |
|4 | C120 | 2203-000975 | C-CER,CHIP;47nF,10%,25V,X7R,TP,1608,- | 1 | S.A | |
|4 | C120 | 2203-000975 | C-CER,CHIP;47nF,10%,25V,X7R,TP,1608,- | 1 | S.A | |
|4 | C120 | 2203-000998 | C-CER,CHIP;0.047nF,5%,50V,C0G,1608 | 1 | S.A | |
|4 | C120 | 2203-000998 | C-CER,CHIP;0.047nF,5%,50V,C0G,1608 | 1 | S.A | |
|4 | C120 | 2203-000998 | C-CER,CHIP;0.047nF,5%,50V,C0G,1608 | 1 | S.A | |
|4 | C120 | 2203-000998 | C-CER,CHIP;0.047nF,5%,50V,C0G,1608 | 1 | S.A | |
|4 | C120 | 2203-000998 | C-CER,CHIP;0.047nF,5%,50V,C0G,1608 | 1 | S.A | |
|4 | C120 | 2203-000998 | C-CER,CHIP;0.047nF,5%,50V,C0G,1608 | 1 | S.A | |
|4 | C120 | 2203-001153 | C-CER,CHIP;0.068nF,5%,50V,NP0,1005 | 1 | S.A | |
|4 | C120 | 2203-001153 | C-CER,CHIP;0.068nF,5%,50V,NP0,1005 | 1 | S.A | |
|4 | C120 | 2203-001153 | C-CER,CHIP;0.068nF,5%,50V,NP0,1005 | 1 | S.A | |
|4 | C120 | 2203-001153 | C-CER,CHIP;0.068nF,5%,50V,NP0,1005 | 1 | S.A | |
|4 | C120 | 2203-001153 | C-CER,CHIP;0.068nF,5%,50V,NP0,1005 | 1 | S.A | |
|4 | C120 | 2203-001153 | C-CER,CHIP;0.068nF,5%,50V,NP0,1005 | 1 | S.A | |
|4 | C120 | 2203-001153 | C-CER,CHIP;0.068nF,5%,50V,NP0,1005 | 1 | S.A | |
|4 | C120 | 2203-001630 | C-CER,CHIP;330nF,+80-20%,16V,Y5V,1608 | 1 | S.A | |
|4 | C120 | 2203-001630 | C-CER,CHIP;330nF,+80-20%,16V,Y5V,1608 | 1 | S.A | |
|4 | C120 | 2203-002285 | C-CER,CHIP;10nF,10%,50V,X7R,1005 | 1 | S.N.A | |
|4 | C120 | 2203-002285 | C-CER,CHIP;10nF,10%,50V,X7R,1005 | 1 | S.N.A | |
|4 | C120 | 2203-002285 | C-CER,CHIP;10nF,10%,50V,X7R,1005 | 1 | S.N.A | |
|4 | C120 | 2203-002285 | C-CER,CHIP;10nF,10%,50V,X7R,1005 | 1 | S.N.A | |
|4 | C120 | 2203-002285 | C-CER,CHIP;10nF,10%,50V,X7R,1005 | 1 | S.N.A | |
|4 | C120 | 2203-002285 | C-CER,CHIP;10nF,10%,50V,X7R,1005 | 1 | S.N.A | |

5. Exploded View & Part List

| Level | Location No. | Code No. | Description & Specification | Q'ty | SA/SNA | Remark |
|-------|--------------|-------------|--|------|--------|--------|
|4 | C120 | 2203-005533 | C-CER,CHIP;1000nF,20%,6.3V,X7R,TP,1608 | 1 | S.A | |
|4 | C120 | 2203-005533 | C-CER,CHIP;1000nF,20%,6.3V,X7R,TP,1608 | 1 | S.A | |
|4 | C120 | 2203-005533 | C-CER,CHIP;1000nF,20%,6.3V,X7R,TP,1608 | 1 | S.A | |
|4 | C120 | 2203-005642 | C-CER,CHIP;0.22nF,5%,50V,NP0,1005 | 1 | S.N.A | |
|4 | C120 | 2203-005642 | C-CER,CHIP;0.22nF,5%,50V,NP0,1005 | 1 | S.N.A | |
|4 | C120 | 2203-005642 | C-CER,CHIP;0.22nF,5%,50V,NP0,1005 | 1 | S.N.A | |
|4 | C120 | 2203-005659 | C-CER,CHIP;0.18nF,5%,50V,NP0,1005 | 1 | S.N.A | |
|4 | C120 | 2203-005968 | C-CER,CHIP;4.7NF,10%,50V,X7R,TP,1005 | 1 | S.N.A | |
|4 | C120 | 2203-005968 | C-CER,CHIP;4.7NF,10%,50V,X7R,TP,1005 | 1 | S.N.A | |
|4 | C120 | 2203-005968 | C-CER,CHIP;4.7NF,10%,50V,X7R,TP,1005 | 1 | S.N.A | |
|4 | C120 | 2203-005968 | C-CER,CHIP;4.7NF,10%,50V,X7R,TP,1005 | 1 | S.N.A | |
|4 | C120 | 2203-005968 | C-CER,CHIP;4.7NF,10%,50V,X7R,TP,1005 | 1 | S.N.A | |
|4 | C120 | 2203-005968 | C-CER,CHIP;4.7NF,10%,50V,X7R,TP,1005 | 1 | S.N.A | |
|4 | C120 | 2203-005968 | C-CER,CHIP;4.7NF,10%,50V,X7R,TP,1005 | 1 | S.N.A | |
|4 | C120 | 2203-006141 | C-CER,CHIP;1000nF,10%,16V,X5R,1608 | 1 | S.A | |
|4 | C120 | 2203-006141 | C-CER,CHIP;1000nF,10%,16V,X5R,1608 | 1 | S.A | |
|4 | C120 | 2203-006141 | C-CER,CHIP;1000nF,10%,16V,X5R,1608 | 1 | S.A | |
|4 | C120 | 2203-006141 | C-CER,CHIP;1000nF,10%,16V,X5R,1608 | 1 | S.A | |
|4 | C120 | 2203-006141 | C-CER,CHIP;1000nF,10%,16V,X5R,1608 | 1 | S.A | |
|4 | C120 | 2203-006158 | C-CER,CHIP;100nF,10%,16V,X7R,1005 | 1 | S.N.A | |
|4 | C120 | 2203-006158 | C-CER,CHIP;100nF,10%,16V,X7R,1005 | 1 | S.N.A | |
|4 | C120 | 2203-006158 | C-CER,CHIP;100nF,10%,16V,X7R,1005 | 1 | S.N.A | |
|4 | C120 | 2203-006158 | C-CER,CHIP;100nF,10%,16V,X7R,1005 | 1 | S.N.A | |
|4 | C120 | 2203-006158 | C-CER,CHIP;100nF,10%,16V,X7R,1005 | 1 | S.N.A | |
|4 | C120 | 2203-006158 | C-CER,CHIP;100nF,10%,16V,X7R,1005 | 1 | S.N.A | |
|4 | C120 | 2203-006158 | C-CER,CHIP;100nF,10%,16V,X7R,1005 | 1 | S.N.A | |
|4 | C120 | 2203-006158 | C-CER,CHIP;100nF,10%,16V,X7R,1005 | 1 | S.N.A | |
|4 | C120 | 2203-006158 | C-CER,CHIP;100nF,10%,16V,X7R,1005 | 1 | S.N.A | |
|4 | C120 | 2203-006158 | C-CER,CHIP;100nF,10%,16V,X7R,1005 | 1 | S.N.A | |
|4 | C120 | 2203-006158 | C-CER,CHIP;100nF,10%,16V,X7R,1005 | 1 | S.N.A | |
|4 | C120 | 2203-006158 | C-CER,CHIP;100nF,10%,16V,X7R,1005 | 1 | S.N.A | |
|4 | C120 | 2203-006158 | C-CER,CHIP;100nF,10%,16V,X7R,1005 | 1 | S.N.A | |
|4 | C120 | 2203-006158 | C-CER,CHIP;100nF,10%,16V,X7R,1005 | 1 | S.N.A | |
|4 | C120 | 2203-006158 | C-CER,CHIP;100nF,10%,16V,X7R,1005 | 1 | S.N.A | |
|4 | C120 | 2203-006158 | C-CER,CHIP;100nF,10%,16V,X7R,1005 | 1 | S.N.A | |
|4 | C120 | 2203-006158 | C-CER,CHIP;100nF,10%,16V,X7R,1005 | 1 | S.N.A | |
|4 | C120 | 2203-006158 | C-CER,CHIP;100nF,10%,16V,X7R,1005 | 1 | S.N.A | |
|4 | C120 | 2203-006158 | C-CER,CHIP;100nF,10%,16V,X7R,1005 | 1 | S.N.A | |
|4 | C120 | 2203-006158 | C-CER,CHIP;100nF,10%,16V,X7R,1005 | 1 | S.N.A | |
|4 | C120 | 2203-006158 | C-CER,CHIP;100nF,10%,16V,X7R,1005 | 1 | S.N.A | |
|4 | C120 | 2203-006158 | C-CER,CHIP;100nF,10%,16V,X7R,1005 | 1 | S.N.A | |
|4 | C120 | 2203-006158 | C-CER,CHIP;100nF,10%,16V,X7R,1005 | 1 | S.N.A | |
|4 | C120 | 2203-006158 | C-CER,CHIP;100nF,10%,16V,X7R,1005 | 1 | S.N.A | |
|4 | C120 | 2203-006158 | C-CER,CHIP;100nF,10%,16V,X7R,1005 | 1 | S.N.A | |
|4 | C120 | 2203-006158 | C-CER,CHIP;100nF,10%,16V,X7R,1005 | 1 | S.N.A | |
|4 | C120 | 2203-006158 | C-CER,CHIP;100nF,10%,16V,X7R,1005 | 1 | S.N.A | |
|4 | C120 | 2203-006158 | C-CER,CHIP;100nF,10%,16V,X7R,1005 | 1 | S.N.A | |

5. Exploded View & Part List

| Level | Location No. | Code No. | Description & Specification | Q'ty | SA/SNA | Remark |
|-------|--------------|-------------|--|------|--------|--------|
| ...4 | C120 | 2203-006681 | C-CER,CHIP;100nF,+80-20%,25V,Y5V,1005 | 1 | S.N.A | |
| ...4 | C120 | 2203-006681 | C-CER,CHIP;100nF,+80-20%,25V,Y5V,1005 | 1 | S.N.A | |
| ...4 | C120 | 2203-006681 | C-CER,CHIP;100nF,+80-20%,25V,Y5V,1005 | 1 | S.N.A | |
| ...4 | C120 | 2203-006681 | C-CER,CHIP;100nF,+80-20%,25V,Y5V,1005 | 1 | S.N.A | |
| ...4 | C120 | 2203-006681 | C-CER,CHIP;100nF,+80-20%,25V,Y5V,1005 | 1 | S.N.A | |
| ...4 | C120 | 2203-006992 | C-CER,CHIP;0.33nF,5%,50V,C0G,1005 | 1 | S.N.A | |
| ...4 | C120 | 2203-007176 | C-CER,CHIP;10000nF,10%,16V,X5R,TP,2012 (| 1 | S.N.A | |
| ...4 | C120 | 2203-007176 | C-CER,CHIP;10000nF,10%,16V,X5R,TP,2012 (| 1 | S.N.A | |
| ...4 | C120 | 2203-007176 | C-CER,CHIP;10000nF,10%,16V,X5R,TP,2012 (| 1 | S.N.A | |
| ...4 | C120 | 2203-007176 | C-CER,CHIP;10000nF,10%,16V,X5R,TP,2012 (| 1 | S.N.A | |
| ...4 | C120 | 2203-007176 | C-CER,CHIP;10000nF,10%,16V,X5R,TP,2012 (| 1 | S.N.A | |
| ...4 | C120 | 2203-007176 | C-CER,CHIP;10000nF,10%,16V,X5R,TP,2012 (| 1 | S.N.A | |
| ...4 | C120 | 2203-007176 | C-CER,CHIP;10000nF,10%,16V,X5R,TP,2012 (| 1 | S.N.A | |
| ...4 | C120 | 2203-007176 | C-CER,CHIP;10000nF,10%,16V,X5R,TP,2012 (| 1 | S.N.A | |
| ...4 | C120 | 2203-007176 | C-CER,CHIP;10000nF,10%,16V,X5R,TP,2012 (| 1 | S.N.A | |
| ...4 | C1120 | 2402-001128 | C-AL,SMD;100##F,20%,16V,-,TP,6.3X5.7mm | 1 | S.A | |
| ...4 | C1121 | 2402-001128 | C-AL,SMD;100##F,20%,16V,-,TP,6.3X5.7mm | 1 | S.A | |
| ...4 | C2139 | 2402-001128 | C-AL,SMD;100##F,20%,16V,-,TP,6.3X5.7mm | 1 | S.A | |
| ...4 | C2140 | 2402-001128 | C-AL,SMD;100##F,20%,16V,-,TP,6.3X5.7mm | 1 | S.A | |
| ...4 | C3170 | 2402-001128 | C-AL,SMD;100##F,20%,16V,-,TP,6.3X5.7mm | 1 | S.A | |
| ...4 | C3189 | 2402-001129 | C-AL,SMD;47UF,20%,16V,WT,TP,6.3X5.2MM | 1 | S.A | |
| ...4 | C1163 | 2402-001210 | C-POLYMER AL CHIP;100uF,20%,10V,WT,TP,7. | 1 | S.A | |
| ...4 | C1169 | 2402-001210 | C-POLYMER AL CHIP;100uF,20%,10V,WT,TP,7. | 1 | S.A | |
| ...4 | C5120 | 2402-001210 | C-POLYMER AL CHIP;100uF,20%,10V,WT,TP,7. | 1 | S.A | |
| ...4 | C5355 | 2402-001210 | C-POLYMER AL CHIP;100uF,20%,10V,WT,TP,7. | 1 | S.A | |
| ...4 | C1140 | 2409-001118 | C-POLYMER ,CHIP;47uF,+20,10V,WT,REEL,3. | 1 | S.A | |
| ...4 | C1351 | 2409-001118 | C-POLYMER ,CHIP;47uF,+20,10V,WT,REEL,3. | 1 | S.A | |
| ...4 | C5521 | 2409-001118 | C-POLYMER ,CHIP;47uF,+20,10V,WT,REEL,3. | 1 | S.A | |
| ...4 | C5522 | 2409-001118 | C-POLYMER ,CHIP;47uF,+20,10V,WT,REEL,3. | 1 | S.A | |
| ...4 | T0052 | 2703-000398 | INDUCTOR-SMD;10uH,10%,3225 | 1 | S.A | |
| ...4 | T0052 | 2703-000398 | INDUCTOR-SMD;10uH,10%,3225 | 1 | S.A | |
| ...4 | T0052 | 2703-000417 | INDUCTOR-SMD;220uH,5%,3225 | 1 | S.A | |
| ...4 | T0052 | 2703-001334 | INDUCTOR-SMD;1.5uH,10%,2012 | 1 | S.A | |
| ...4 | T0052 | 2703-001334 | INDUCTOR-SMD;1.5uH,10%,2012 | 1 | S.A | |
| ...4 | T0052 | 2703-001334 | INDUCTOR-SMD;1.5uH,10%,2012 | 1 | S.A | |
| ...4 | T0052 | 2703-001334 | INDUCTOR-SMD;1.5uH,10%,2012 | 1 | S.A | |
| ...4 | T0052 | 2703-001426 | INDUCTOR-SMD;680uH,20%,7070 | 1 | S.A | |
| ...4 | T0052 | 2703-002722 | INDUCTOR-SMD;22uH,20%,12x12mm | 1 | S.A | |
| ...4 | T0052 | 2703-002722 | INDUCTOR-SMD;22uH,20%,12x12mm | 1 | S.A | |
| ...4 | L2101 | 2704-000018 | INDUCTOR-SMD-ARRAY;15uH,2000mA,2,0.124oh | 1 | S.N.A | |
| ...4 | L2102 | 2704-000018 | INDUCTOR-SMD-ARRAY;15uH,2000mA,2,0.124oh | 1 | S.N.A | |
| ...4 | X202 | 2801-003326 | CRYSTAL-SMD;24MHZ,30PPM,28-ABX,20PF,50OH | 1 | S.A | |
| ...4 | X202 | 2801-003954 | CRYSTAL-SMD;27MHz,30ppm,28-AAN,16pF,50oh | 1 | S.A | |
| ...4 | X202 | 2801-003954 | CRYSTAL-SMD;27MHz,30ppm,28-AAN,16pF,50oh | 1 | S.A | |
| ...4 | F103 | 2901-001114 | FILTER-EMI SMD;25VDC,2.0ADC,-,100nF,3.2x | 1 | S.A | |
| ...4 | F103 | 2901-001302 | FILTER-EMI SMD;20V,0.3A,0pF,2.0x1.2x1.3m | 1 | S.A | |
| ...4 | F103 | 2901-001302 | FILTER-EMI SMD;20V,0.3A,0pF,2.0x1.2x1.3m | 1 | S.A | |
| ...4 | F103 | 2901-001302 | FILTER-EMI SMD;20V,0.3A,0pF,2.0x1.2x1.3m | 1 | S.A | |
| ...4 | F103 | 2901-001302 | FILTER-EMI SMD;20V,0.3A,0pF,2.0x1.2x1.3m | 1 | S.A | |
| ...4 | T0568 | 3301-001145 | BEAD-SMD;60ohm,4516,TP,70ohm/45MHz,82ohm | 1 | S.N.A | |
| ...4 | T0568 | 3301-001145 | BEAD-SMD;60ohm,4516,TP,70ohm/45MHz,82ohm | 1 | S.N.A | |

5. Exploded View & Part List

| Level | Location No. | Code No. | Description & Specification | Q'ty | SA/SNA | Remark |
|-------|--------------|-------------|---|------|--------|--------|
| ...4 | T0568 | 3301-001569 | BEAD-SMD;600ohm,2012,1000mA,TP,520ohm/90 | 1 | S.N.A | |
| ...4 | T0568 | 3301-001569 | BEAD-SMD;600ohm,2012,1000mA,TP,520ohm/90 | 1 | S.N.A | |
| ...4 | T0568 | 3301-001569 | BEAD-SMD;600ohm,2012,1000mA,TP,520ohm/90 | 1 | S.N.A | |
| ...4 | T0568 | 3301-001569 | BEAD-SMD;600ohm,2012,1000mA,TP,520ohm/90 | 1 | S.N.A | |
| ...4 | T0568 | 3301-001569 | BEAD-SMD;600ohm,2012,1000mA,TP,520ohm/90 | 1 | S.N.A | |
| ...4 | T0568 | 3301-001569 | BEAD-SMD;600ohm,2012,1000mA,TP,520ohm/90 | 1 | S.N.A | |
| ...4 | JA3102 | 3701-001367 | CONNECTOR-HDMI;19P,2R,FEMALE,SMD,AU | 1 | S.A | |
| ...4 | JA3103 | 3701-001367 | CONNECTOR-HDMI;19P,2R,FEMALE,SMD,AU | 1 | S.A | |
| ...4 | CN330 | 3711-005925 | HEADER-BOARD TO CABLE;BOX,51P,1R,0.5mm,S | 1 | S.N.A | |
| ...4 | T0077 | BN41-00974A | PCB MAIN;Amber,FR-4,4,1.0,192*240,1 | 1 | S.N.A | |
| ...4 | M0018 | BN97-02049A | ASSY MICOM;T-PRLPEUMD,N46A,2007.11.26,11 | 1 | S.N.A | |
|5 | IC115 | 1107-001415 | IC-FLASH MEMORY;29W320D,4Mx8/2Mx16Bit,TS | 1 | S.N.A | |
| ...4 | M0018 | BN97-02049B | ASSY MICOM;T-PRLPEUS,N46A,2007.11.26,090 | 1 | S.N.A | |
|5 | IC520 | 0903-001552 | IC-MICROCONTROLLER;WT61P8-RG480WT,LQFP,4 | 1 | S.A | |
| ...4 | M0018 | BN97-02049C | ASSY MICOM;T-PERLDEUC,N46A,2007.11.26,11 | 1 | S.N.A | |
|5 | IC115 | 1107-001415 | IC-FLASH MEMORY;29W320D,4Mx8/2Mx16Bit,TS | 1 | S.N.A | |
| ...4 | R110 | 2007-000070 | R-CHIP;0ohm,5%,1/10W,TP,1608 | 1 | S.A | |
| ...4 | R110 | 2007-000070 | R-CHIP;0ohm,5%,1/10W,TP,1608 | 1 | S.A | |
| ...4 | R110 | 2007-000070 | R-CHIP;0ohm,5%,1/10W,TP,1608 | 1 | S.A | |
| ...4 | R110 | 2007-000070 | R-CHIP;0ohm,5%,1/10W,TP,1608 | 1 | S.A | |
| ...4 | R110 | 2007-000070 | R-CHIP;0ohm,5%,1/10W,TP,1608 | 1 | S.A | |
| ...4 | R110 | 2007-000074 | R-CHIP;100ohm,5%,1/10W,TP,1608 | 1 | S.A | |
| ...4 | R110 | 2007-007001 | R-CHIP;3.9KOHM,5%,1/16W,TP,1005 | 1 | S.A | |
| ...4 | C120 | 2203-000440 | C-CER,CHIP;1nF,10%,50V,X7R,1608 | 1 | S.A | |
| ...4 | C120 | 2203-000440 | C-CER,CHIP;1nF,10%,50V,X7R,1608 | 1 | S.A | |
| ...4 | C6151_OP | 2402-001259 | C-AL,SMD;220uF,20%,16V,WT,REEL,8X10 | 1 | S.A | |
| ...4 | C2160 | 2402-001273 | C-AL,SMD;220uF,20%,35V,WT,REEL,10X10mm | 1 | S.A | |
| ...4 | CN330 | 3711-006374 | HEADER-BOARD TO CABLE;BOX,41P,2R,1.25mm, | 1 | S.A | |
| ...4 | IC104 | 0801-002633 | IC-CMOS LOGIC;7WBD3125,2bit BUS SWITCH,S | 1 | S.A | |
| ...4 | IC104 | 0801-002633 | IC-CMOS LOGIC;7WBD3125,2bit BUS SWITCH,S | 1 | S.A | |
| ...4 | IC104 | 0801-002633 | IC-CMOS LOGIC;7WBD3125,2bit BUS SWITCH,S | 1 | S.A | |
| ...4 | IC104 | 0801-002633 | IC-CMOS LOGIC;7WBD3125,2bit BUS SWITCH,S | 1 | S.A | |
| ...4 | R110 | 2007-002425 | R-CHIP;1ohm,5%,1/10W,TP,1608 | 1 | S.A | |
| ...4 | R110 | 2007-002425 | R-CHIP;1ohm,5%,1/10W,TP,1608 | 1 | S.A | |
| ...4 | R110 | 2007-002425 | R-CHIP;1ohm,5%,1/10W,TP,1608 | 1 | S.A | |
| ...4 | R110 | 2007-002425 | R-CHIP;1ohm,5%,1/10W,TP,1608 | 1 | S.A | |
| ...4 | R110 | 2007-002425 | R-CHIP;1ohm,5%,1/10W,TP,1608 | 1 | S.A | |
| ...4 | R110 | 2007-002425 | R-CHIP;1ohm,5%,1/10W,TP,1608 | 1 | S.A | |
| ...4 | C1207 | 2402-001238 | C-AL,SMD;1uF,20%,50V,HR,TP,4.3x4.3x5.2mm | 1 | S.A | |
| ...3 | SUB09_MTK | BN73-00024B | SILICON/RUBBER-GAP PAD;POSEIDON,SILICON, | 1 | S.N.A | |
| ...3 | SUB10_FBE | BN73-00176A | SILICON/RUBBER-GAPPAD;EDISON 24,SILICON+ | 1 | S.A | |
| ...3 | T0603 | BN63-04510A | SHIELD-PCB MAIN;PEARL32, EO, TOP, SPTE, T0. | 1 | S.N.A | |
| ...3 | T0603 | BN63-04512A | SHIELD-PCB MAIN;PEARL32,EO,BOT,SPTE T0.3 | 1 | S.N.A | |
| 0.1 | | BN91-02028B | ASSY SHIELD-SQE;LE32A557P2FX/XC | 1 | S.N.A | |
| ..2 | T0081 | 6002-001294 | SCREW-TAPPING;BH,+,M4,L16,ZPC(BLK) | 1 | S.A | |
| ..2 | M0081 | 6003-000115 | SCREW-TAPTITE;BH,+,B,M3,L6,ZPC(BLK),SWRC | 1 | S.A | |
| ..2 | M0081 | 6003-000115 | SCREW-TAPTITE;BH,+,B,M3,L6,ZPC(BLK),SWRC | 6 | S.A | |
| ..2 | M0081 | 6003-000115 | SCREW-TAPTITE;BH,+,B,M3,L6,ZPC(BLK),SWRC | 1 | S.A | |
| ..2 | M0081 | 6003-000115 | SCREW-TAPTITE;BH,+,B,M3,L6,ZPC(BLK),SWRC | 4 | S.A | |
| ..2 | M0081 | 6003-000337 | SCREW-TAPTITE;BH,+,S,M4,L10,ZPC(BLK),SWR | 4 | S.A | |

5. Exploded View & Part List

| Level | Location No. | Code No. | Description & Specification | Q'ty | SA/SNA | Remark |
|-------|--------------|-------------|--|------|--------|--------|
| .2 | M0081 | 6003-001024 | SCREW-TAPTITE;RWH,+,-,B,M4,L12,ZPC(WHT), | 2 | S.A | |
| .2 | M0081 | 6003-001188 | SCREW-TAPTITE;BH,+,-,B,M4,L10,ZPC(WHT),S | 2 | S.N.A | |
| .2 | M0081 | 6003-001188 | SCREW-TAPTITE;BH,+,-,B,M4,L10,ZPC(WHT),S | 2 | S.N.A | |
| .2 | M0081 | 6003-001188 | SCREW-TAPTITE;BH,+,-,B,M4,L10,ZPC(WHT),S | 8 | S.N.A | |
| .2 | M0081 | 6003-001439 | SCREW-TAPTITE;BH,+,-,S,M4,L8,ZPC(WHT),SW | 1 | S.N.A | |
| .2 | M2893 | BH39-00362G | LEAD CONNECTOR;SONOMA,UL1007#26,5PIN,100 | 1 | S.A | |
| .2 | T0076 | BN39-00615D | CBF HARNESS;BORDEAUX,1617#22,3P,1P,RING, | 1 | S.A | |
| .2 | M2893 | BN39-00802A | LEAD CONNECTOR;LE32R86BDX,UL1007#26,UL/C | 1 | S.A | |
| .2 | M2893 | BN39-00849C | LEAD CONNECTOR;LNT4081FX/XAA,UL1007 #26, | 1 | S.A | |
| .2 | T0764 | BN44-00208A | SMPS-LCDTV;MK32P5T,SEM,AC/DC,137W,AC100 | 1 | S.A | |
| .2 | M0254 | BN61-02875E | HOLDER-SIDE AV;40F8,EO,HIPS V0,-,-,BK5 | 1 | S.N.A | |
| .2 | M0115 | BN61-03706A | BRACKET-STAND LINK;BRACKET-STAND-LINK 32 | 1 | S.N.A | |
| .2 | M0107 | BN63-03039A | SHIELD-COVER;MURANO40,PCM,T0.5,IDTV | 1 | S.N.A | |
| .2 | T0175 | BN96-06818B | ASSY SPEAKER P;8ohm,CORAL,L450,10W,4pin, | 1 | S.A | |
| .2 | M0214 | BN96-07518A | ASSY CABLE P-FLAT LVDS;LE32A556P1FXXC,FF | 1 | S.N.A | |
| .2 | T0447 | BN96-04681A | ASSY BRACKET P-PANEL;-32R81,-,-,-,AM, | 1 | S.N.A | |
| ...3 | M0131 | AA63-01437A | GASKET;Bordeaux,Conductive Fabric,20mm,9 | 1 | S.N.A | |
| ...3 | M0131 | AA63-01438A | GASKET;Bordeaux,Conductive Fabric,7mm,8m | 1 | S.N.A | |
| ...3 | | BN61-02199B | BRACKET-GUIDE POWER;Bordeaux 32,SECC,T1. | 1 | S.N.A | |
| ...3 | | BN61-02200A | BRACKET-GUIDE POWER;Bordeaux 32,SECC,T1. | 1 | S.N.A | |
| ...3 | M0146 | BN61-02970A | BRACKET-PANEL TOP;32 BORDEAUX PLUS,SECC, | 1 | S.N.A | |
| ...3 | | BN61-02974A | BRACKET-PANEL BOTTOM;32 BORDEAUX PLUS,SE | 1 | S.N.A | |
| ...3 | | BN61-02978A | BRACKET-GUIDE MAIN;32 BORDEAUX PLUS,SECC | 1 | S.N.A | |
| ...3 | M0131 | BN63-03327A | GASKET;BORDEAUX PLUS,Conductive Fabric,2 | 1 | S.N.A | |
| ...3 | M0081 | 6003-000115 | SCREW-TAPTITE;BH,+,-,B,M3,L6,ZPC(BLK),SWRC | 6 | S.A | |
| ...3 | M0114 | BN61-02500A | HOLDER-WIRE;NYLON6.6,NATURAL | 2 | S.N.A | |
| | | | | | | |
| 0.1 | | BN91-02033A | ASSY LCD-AMLCD;LE52A556P1FX/XC,LTF320HA0 | 1 | S.N.A | |
| .2 | M0215 | BN07-00520A | LCD-PANEL;LTF320HA01,8bit,32inch,16.7M,1 | 1 | S.A | |
| | | | | | | |
| 0.1 | M0003 | BN92-03223C | ASSY BOX;32L530,EO,P3 | 1 | S.N.A | |
| .2 | | BN69-02442A | BOX-SET;L530-32,CB,A-01,DY-01,AB,YEL,W89 | 1 | S.N.A | |
| | | | | | | |
| 0.1 | M0113 | BN92-03228B | ASSY P/MATERIAL;32L530,W/W | 1 | S.N.A | |
| .2 | T0524 | 6902-000738 | BAG PE;HDPE/HDPE/NITRON,T0.015/T0.015/T1 | 1 | S.N.A | |
| .2 | T0214 | BN74-00008A | TAPE-OPP MASKING;OPP-2,T0.05,W100,L800M, | 2.09 | S.N.A | |
| | | | | | | |
| 0.1 | M0045 | BN92-03267D | ASSY ACCESSORY;LE32A556P1FXXC | 1 | S.N.A | |
| .2 | M0045 | BN96-07178A | ASSY ACCESSORY-MANUAL;LE46A556P1FXXC,N46 | 1 | S.A | |
| ...3 | T0511 | BN68-01409A | MANUAL USERS;COMM,SAMSUNG,8Language,W.Eu | 1 | S.N.A | |
| ...3 | T0210 | AA68-03242K | MANUAL FLYER-01,SAFETY GUIDE;comm,Samsun | 1 | S.N.A | |
| ...3 | | AA68-03575A | MANUAL FLYER-02,REGISTRATION C;XEU,ENG,U | 1 | S.N.A | |
| ...3 | | AA68-03575B | MANUAL FLYER-02,REGISTRATION C;XEG,GERMA | 1 | S.N.A | |
| ...3 | | AA68-03575C | MANUAL FLYER-02,REGISTRATION C;XEF,FRENC | 1 | S.N.A | |
| ...3 | | AA68-03575D | MANUAL FLYER-03,REGISTRATION C;XEC,SPANI | 1 | S.N.A | |
| ...3 | | AA68-03575E | MANUAL FLYER-04,REGISTRATION C;XET,ITALY | 1 | S.N.A | |
| ...3 | | AA68-03575F | MANUAL FLYER-02,REGISTRATION C;XEN,DUTCH | 1 | S.N.A | |
| ...3 | | AA68-03575G | MANUAL FLYER-02,REGISTRATION C;XEP,PORTU | 1 | S.N.A | |
| ...3 | | BN68-00514E | MANUAL FLYER-00,WARRANTY CARD;comm,Samsu | 1 | S.N.A | |
| ...3 | T0091 | HA83-00047A | LP-TAPEACETATE;T0.1MM,W20MM,L200MM | 0.05 | S.N.A | |
| .2 | M0045 | BN96-07178E | ASSY ACCESSORY-CABEL;LE32A556P1FXXC | 1 | S.A | |

5. Exploded View & Part List

| Level | Location No. | Code No. | Description & Specification | Q'ty | SA/SNA | Remark |
|-------|--------------|-------------|--|------|--------|--------|
| ...3 | T0268 | 3903-000145 | CBF-POWER CORD;DT,EU,FP3/YES,U(IEC C13-R | 1 | S.A | |
| ...3 | T0081 | 6002-001294 | SCREW-TAPPING;BH,+,,M4,L16,ZPC(BLK) | 4 | S.A | |
| ...3 | T0074 | BN59-00683A | REMOCON;TM-96B,49,EUROPE_DTV-550 | 1 | S.A | |
| ...3 | | BN63-01798A | CLOTH-CLEAN;RE40**,CLOTH,180,200,RHCM | 1 | S.N.A | |
| ...3 | T0531 | BN63-04207A | COVER-BOTTOM;COVER-BOTTOM 32,HIPS,HB,BK5 | 1 | S.N.A | |
| ...3 | T0091 | HA83-00047A | LP-TAPEACETATE;T0.1MM,W20MM,L200MM | 0.05 | S.N.A | |
| | | | | | | |
|4 | C3033 | 2203-005005 | C-CER,CHIP;100nF,10%,16V,X7R,1608 | 1 | S.A | |

5-7. LE37A55*P Parts List

| Level | Location No. | Code No. | Description & Specification | Q'ty | SA/SNA | Remark |
|-------|--------------|----------------|---|------|--------|--------|
| | | LE37A558P3FXXC | LE37A558P3F,N46A/37AP3-GPR,37,LCD-TV,SPA | | | |
| 0.1 | M0001 | BN90-01546A | ASSY COVER FRONT;37L550,P3,EO(iDTV),,,, | 1 | S.N.A | |
| ..2 | T0003 | BN96-07427D | ASSY COVER P-FRONT;37L550,P3,EO(iDTV),AB | 1 | S.N.A | |
| ...3 | M0081 | 6003-001188 | SCREW-TAPTITE;BH,+,-,B,M4,L10,ZPC(WHT),S | 1 | S.N.A | |
| ...3 | M0081 | 6003-001188 | SCREW-TAPTITE;BH,+,-,B,M4,L10,ZPC(WHT),S | 2 | S.N.A | |
| ...3 | T0069 | AA60-00171L | SPACER-FELT;46L3,FELT,460,T0.5,10 | 2 | S.N.A | |
| ...3 | | BN61-03261N | BOSS-TAPE;AMBER,ACRYL,T1.1,W20.0mm,WHITE | 0.7 | S.N.A | |
| ...3 | | BN61-03887B | HOLDER-BOSS BOTTOM;37L530,HIPS,HB,BK500 | 1 | S.N.A | |
| ...3 | | BN63-01151A | FELT-NON WOVEN;MM17NS,T0.5,393,10,BLACK | 4 | S.N.A | |
| ...3 | CCM1 | BN63-02183D | COVER-SHEET;Rhcm,PE Vinyl,T0.05,680mm,20 | 0.7 | S.N.A | |
| ...3 | M0112 | BN63-04367A | COVER-FRONT;37L550,P2,P3,P4,EO(iDTV),ABS | 1 | S.N.A | |
| ...3 | T0059 | BN64-00379A | INDICATOR LED;ROME-II,23,PC,CLEAR | 1 | S.N.A | |
| ...3 | T0061 | BN64-00453A | WINDOW-REMOCON;32R71,PC,V0,VIOLET,DIFFUS | 1 | S.N.A | |
| ...3 | T0022 | BN64-00755A | KNOB-CONTROL;32L450,ABS,V0,BK07 | 1 | S.N.A | |
| ...3 | | BN64-00870A | DECORATION-BOTTOM;37L550,P3,ABS,HB,GR503 | 1 | S.N.A | |
| ...3 | M0145 | BN96-07269A | ASSY BOARD P-FUNCTION;LN40A450C1D,CT5000 | 1 | S.A | |
| ...3 | M0146 | BN96-07270F | ASSY BOARD P-POWER & IR;LE32A656P1F,CT50 | 1 | S.A | |
| 0.1 | M0002 | BN90-01551A | ASSY COVER REAR;37L550,P3,EO(iDTV),,,, | 1 | S.N.A | |
| ..2 | T0081 | 6002-001294 | SCREW-TAPPING;BH,+,,M4,L16,ZPC(BLK) | 1 | S.A | |
| ..2 | T0081 | 6002-001294 | SCREW-TAPPING;BH,+,,M4,L16,ZPC(BLK) | 13 | S.A | |
| ..2 | T0081 | 6002-001294 | SCREW-TAPPING;BH,+,,M4,L16,ZPC(BLK) | 2 | S.A | |
| ..2 | M0081 | 6003-000115 | SCREW-TAPTITE;BH,+,,B,M3,L6,ZPC(BLK),SWRC | 1 | S.A | |
| ..2 | M0013 | BN96-06948B | ASSY COVER P-REAR;37L530,EO(iDTV),HIPS,H | 1 | S.A | |
| ...3 | M0081 | 6003-001188 | SCREW-TAPTITE;BH,+,-,B,M4,L10,ZPC(WHT),S | 2 | S.N.A | |
| ...3 | T0101 | BN61-03348A | BRACKET-WALL;LCD TV 32,SECC T1.2,-,-,-,- | 2 | S.N.A | |
| ...3 | M0006 | BN63-04369B | COVER-REAR;37L530,EO(iDTV),HIPS,HB,BK500 | 1 | S.N.A | |
| ...3 | T0064 | BN65-00002A | CLAMPER CORE;BORDEAUX,LDPE,-,-,BLK,- | 1 | S.N.A | |
| ...3 | T0071 | BN64-00776A | INLAY-TERMINAL;L450,EO(IDTV),PS SHEET,T0 | 1 | S.N.A | |
| 0.1 | M0216 | BN90-01556A | ASSY STAND;37L530 | 1 | S.N.A | |
| ..2 | T0081 | 6002-001294 | SCREW-TAPPING;BH,+,,M4,L16,ZPC(BLK) | 4 | S.A | |
| ..2 | M0027 | BN96-04754A | ASSY STAND P-BASE;- ,37,40S81,-,ABS+PMMA, | 1 | S.A | |
| ...3 | T0081 | 6002-001294 | SCREW-TAPPING;BH,+,,M4,L16,ZPC(BLK) | 4 | S.A | |
| ...3 | M0081 | 6003-001239 | SCREW-TAPTITE;FH,+,-,B,M4,L10,ZPC(WHT),S | 8 | S.A | |
| ...3 | | BN61-02883A | BRACKET-STAND BOTTOM;BORDEAUX PLUS,40,SE | 1 | S.N.A | |
| ...3 | | BN61-02886A | BRACKET-HINGE SWIVEL;BORDEAUX PLUS,40,SE | 1 | S.N.A | |
| ...3 | CCM1 | BN63-02183D | COVER-SHEET;Rhcm,PE Vinyl,T0.05,680mm,20 | 0.4 | S.N.A | |
| ...3 | T0132 | BN73-00052A | RUBBER FOOT;ARES 17,CR Rubber Gray,T1.5 | 4 | S.N.A | |
| ...3 | | BN61-02248A | HOLDER-SWIVEL RING;40R71,ACETAL NATUAL,T | 1 | S.N.A | |
| ...3 | T0004 | BN63-03030A | COVER-STAND BASE;40R81,ABS+PMMA,-,-,-,HB | 1 | S.N.A | |
| ...3 | | BN61-02885A | HOLDER-SWIVEL RING;MURANO40,ACETAL NATUR | 1 | S.N.A | |
| ...3 | T0920 | BN61-02985B | GUIDE-STAND;JASMINE,37,40,ABS,HB,BK500 | 1 | S.N.A | |
|4 | | BN61-02981A | BRACKET-SUPPORT STAND;40 BORDEAUX PLUS,S | 1 | S.N.A | |
|4 | | BN61-03045A | BRACKET-SUPPORT STAND;40 BORDEAUX PLUS,S | 1 | S.N.A | |
| 0.1 | | BN91-01964B | ASSY LCD-AUO;LN37A550P1FX*, T370HW02 V4 | 1 | S.N.A | |
| ..2 | M0215 | BN07-00514A | LCD-PANEL;T370HW02 V4,8bit,37inch,16.7M, | 1 | S.A | |

| Level | Location No. | Code No. | Description & Specification | Q'ty | SA/SNA | Remark |
|-------|--------------|-------------|---|-------|--------|--------|
| 0.1 | M0017 | BN91-02016A | ASSY CHASSIS;LE37A556P1FX/XC,AUO | 1 | S.N.A | |
| ..2 | M0014 | BN94-01656A | ASSY PCB MAIN-AUO;LE37A556P1FX,N46A | 1 | S.A | |
| ...3 | | 0202-001557 | SOLDER-CREAM;LST57-A,D38-63,42SN/57BI/1A | 11 | S.N.A | |
| ...3 | JA3114_NSI | 3701-001388 | CONNECTOR-HDMI;20P,Phosphor Bronze,ANGLE | 1 | S.A | |
| ...3 | JA3208_OP | 3701-001480 | CONNECTOR-DSUB;15P,3R,FEMAIL,STAMPED PIN | 1 | S.A | |
| ...3 | CN906 | 3707-001081 | CONNECTOR-OPTICAL;STRAIGHT,SPDIF | 1 | S.A | |
| ...3 | JA7201 | 3709-001508 | CONNECTOR-CARD SLOT;68P,1.27mm,PIN,PCMCIA | 1 | S.A | |
| ...3 | CN330 | 3711-000058 | HEADER-BOARD TO CABLE;BOX,4P,1R,2.5MM,AN | 1 | S.A | |
| ...3 | CN330 | 3711-004379 | HEADER-BOARD TO CABLE;BOX,4P,1R,2mm,STRA | 1 | S.A | |
| ...3 | CN330 | 3711-004379 | HEADER-BOARD TO CABLE;BOX,4P,1R,2mm,STRA | 1 | S.A | |
| ...3 | CN330 | 3711-004484 | HEADER-BOARD TO CABLE;BOX,5P,1R,2mm,STRA | 1 | S.A | |
| ...3 | CN330 | 3711-004531 | HEADER-BOARD TO CABLE;BOX,10P,1R,2mm,ANG | 1 | S.A | |
| ...3 | CN330 | 3711-004712 | HEADER-BOARD TO CABLE;BOX,9P,1R,2mm,STRA | 1 | S.A | |
| ...3 | CN330 | 3711-005842 | HEADER-BOARD TO CABLE;BOX,24P,2R,2MM,STR | 1 | S.A | |
| ...3 | JA330 | 3722-000143 | JACK-PHONE;1P(VER),AG,BLK,ANGLE | 1 | S.A | |
| ...3 | JA330 | 3722-001061 | JACK-PHONE;1P,3.6PI,AG,BLK,N | 1 | S.A | |
| ...3 | JA330 | 3722-001061 | JACK-PHONE;1P,3.6PI,AG,BLK,N | 1 | S.A | |
| ...3 | CN3108_NSI | 3722-002275 | JACK-DIN;4P,-,SN,BLK,- | 1 | S.A | |
| ...3 | CN3111_NSI | 3722-002546 | JACK-USB;4P/1C,AU,BLK,ANGLE,A type | 1 | S.N.A | |
| ...3 | CIS3 | BN40-00120A | TUNER;TDHG6-K10A,TDHG6-K10A,DVB-T,181CH, | 1 | S.A | |
| ...3 | T0174 | BN97-02033A | ASSY SMD;LE37A556P1F*,N46A | 1 | S.N.A | |
| ...4 | SUB05 | 0202-001477 | SOLDER-CREAM;LST309-M,-,D20-45##,96.5Sn/ | 2.999 | S.N.A | |
| ...4 | D1104 | 0401-001056 | DIODE-SWITCHING;MMBD4148SE,100V,200mA,SO | 1 | S.A | |
| ...4 | D3101 | 0401-001056 | DIODE-SWITCHING;MMBD4148SE,100V,200mA,SO | 1 | S.A | |
| ...4 | D3102 | 0401-001056 | DIODE-SWITCHING;MMBD4148SE,100V,200mA,SO | 1 | S.A | |
| ...4 | D3103 | 0401-001056 | DIODE-SWITCHING;MMBD4148SE,100V,200mA,SO | 1 | S.A | |
| ...4 | D3104 | 0401-001056 | DIODE-SWITCHING;MMBD4148SE,100V,200mA,SO | 1 | S.A | |
| ...4 | D3105 | 0401-001056 | DIODE-SWITCHING;MMBD4148SE,100V,200mA,SO | 1 | S.A | |
| ...4 | D3106 | 0401-001056 | DIODE-SWITCHING;MMBD4148SE,100V,200mA,SO | 1 | S.A | |
| ...4 | D3108 | 0401-001056 | DIODE-SWITCHING;MMBD4148SE,100V,200mA,SO | 1 | S.A | |
| ...4 | D3109 | 0401-001056 | DIODE-SWITCHING;MMBD4148SE,100V,200mA,SO | 1 | S.A | |
| ...4 | D3144 | 0401-001056 | DIODE-SWITCHING;MMBD4148SE,100V,200mA,SO | 1 | S.A | |
| ...4 | D3146 | 0401-001056 | DIODE-SWITCHING;MMBD4148SE,100V,200mA,SO | 1 | S.A | |
| ...4 | D3147 | 0401-001056 | DIODE-SWITCHING;MMBD4148SE,100V,200mA,SO | 1 | S.A | |
| ...4 | D3149 | 0401-001056 | DIODE-SWITCHING;MMBD4148SE,100V,200mA,SO | 1 | S.A | |
| ...4 | D3150 | 0401-001056 | DIODE-SWITCHING;MMBD4148SE,100V,200mA,SO | 1 | S.A | |
| ...4 | D3151 | 0401-001056 | DIODE-SWITCHING;MMBD4148SE,100V,200mA,SO | 1 | S.A | |
| ...4 | D3152 | 0401-001056 | DIODE-SWITCHING;MMBD4148SE,100V,200mA,SO | 1 | S.A | |
| ...4 | D3153 | 0401-001056 | DIODE-SWITCHING;MMBD4148SE,100V,200mA,SO | 1 | S.A | |
| ...4 | D3154 | 0401-001056 | DIODE-SWITCHING;MMBD4148SE,100V,200mA,SO | 1 | S.A | |
| ...4 | D3155 | 0401-001056 | DIODE-SWITCHING;MMBD4148SE,100V,200mA,SO | 1 | S.A | |
| ...4 | D3158 | 0401-001056 | DIODE-SWITCHING;MMBD4148SE,100V,200mA,SO | 1 | S.A | |
| ...4 | D3159 | 0401-001056 | DIODE-SWITCHING;MMBD4148SE,100V,200mA,SO | 1 | S.A | |
| ...4 | D3161 | 0401-001056 | DIODE-SWITCHING;MMBD4148SE,100V,200mA,SO | 1 | S.A | |
| ...4 | D3162 | 0401-001056 | DIODE-SWITCHING;MMBD4148SE,100V,200mA,SO | 1 | S.A | |
| ...4 | D3163 | 0401-001056 | DIODE-SWITCHING;MMBD4148SE,100V,200mA,SO | 1 | S.A | |
| ...4 | D3165 | 0401-001056 | DIODE-SWITCHING;MMBD4148SE,100V,200mA,SO | 1 | S.A | |
| ...4 | D3166 | 0401-001056 | DIODE-SWITCHING;MMBD4148SE,100V,200mA,SO | 1 | S.A | |
| ...4 | D3168 | 0401-001056 | DIODE-SWITCHING;MMBD4148SE,100V,200mA,SO | 1 | S.A | |
| ...4 | D3170 | 0401-001056 | DIODE-SWITCHING;MMBD4148SE,100V,200mA,SO | 1 | S.A | |

5. Exploded View & Part List

| Level | Location No. | Code No. | Description & Specification | Q'ty | SA/SNA | Remark |
|-------|--------------|-------------|--|------|--------|--------|
| ...4 | D3173 | 0401-001056 | DIODE-SWITCHING;MMBD4148SE,100V,200mA,SO | 1 | S.A | |
| ...4 | D3195 | 0401-001056 | DIODE-SWITCHING;MMBD4148SE,100V,200mA,SO | 1 | S.A | |
| ...4 | D3196 | 0401-001056 | DIODE-SWITCHING;MMBD4148SE,100V,200mA,SO | 1 | S.A | |
| ...4 | D3197 | 0401-001056 | DIODE-SWITCHING;MMBD4148SE,100V,200mA,SO | 1 | S.A | |
| ...4 | D3198 | 0401-001056 | DIODE-SWITCHING;MMBD4148SE,100V,200mA,SO | 1 | S.A | |
| ...4 | D3200 | 0401-001056 | DIODE-SWITCHING;MMBD4148SE,100V,200mA,SO | 1 | S.A | |
| ...4 | D3201 | 0401-001056 | DIODE-SWITCHING;MMBD4148SE,100V,200mA,SO | 1 | S.A | |
| ...4 | D3202 | 0401-001056 | DIODE-SWITCHING;MMBD4148SE,100V,200mA,SO | 1 | S.A | |
| ...4 | D3203 | 0401-001056 | DIODE-SWITCHING;MMBD4148SE,100V,200mA,SO | 1 | S.A | |
| ...4 | D3204 | 0401-001056 | DIODE-SWITCHING;MMBD4148SE,100V,200mA,SO | 1 | S.A | |
| ...4 | D3206 | 0401-001056 | DIODE-SWITCHING;MMBD4148SE,100V,200mA,SO | 1 | S.A | |
| ...4 | D3207 | 0401-001056 | DIODE-SWITCHING;MMBD4148SE,100V,200mA,SO | 1 | S.A | |
| ...4 | D3254 | 0401-001056 | DIODE-SWITCHING;MMBD4148SE,100V,200mA,SO | 1 | S.A | |
| ...4 | D3255 | 0401-001056 | DIODE-SWITCHING;MMBD4148SE,100V,200mA,SO | 1 | S.A | |
| ...4 | D3256 | 0401-001056 | DIODE-SWITCHING;MMBD4148SE,100V,200mA,SO | 1 | S.A | |
| ...4 | D5501_CEC | 0401-001056 | DIODE-SWITCHING;MMBD4148SE,100V,200mA,SO | 1 | S.A | |
| ...4 | D2105 | 0401-001099 | DIODE-SWITCHING;1N4148WS,75V,150mA,SOD-3 | 1 | S.A | |
| ...4 | D2106 | 0401-001099 | DIODE-SWITCHING;1N4148WS,75V,150mA,SOD-3 | 1 | S.A | |
| ...4 | D2201 | 0401-001099 | DIODE-SWITCHING;1N4148WS,75V,150mA,SOD-3 | 1 | S.A | |
| ...4 | D3118 | 0401-001099 | DIODE-SWITCHING;1N4148WS,75V,150mA,SOD-3 | 1 | S.A | |
| ...4 | D3120 | 0401-001099 | DIODE-SWITCHING;1N4148WS,75V,150mA,SOD-3 | 1 | S.A | |
| ...4 | D3123 | 0401-001099 | DIODE-SWITCHING;1N4148WS,75V,150mA,SOD-3 | 1 | S.A | |
| ...4 | D5104 | 0401-001099 | DIODE-SWITCHING;1N4148WS,75V,150mA,SOD-3 | 1 | S.A | |
| ...4 | D5105 | 0401-001099 | DIODE-SWITCHING;1N4148WS,75V,150mA,SOD-3 | 1 | S.A | |
| ...4 | D5201 | 0401-001099 | DIODE-SWITCHING;1N4148WS,75V,150mA,SOD-3 | 1 | S.A | |
| ...4 | D0254 | 0402-000553 | DIODE-SCHOTTKY;SS24/B240,40V,2000mA,DO-2 | 1 | S.A | |
| ...4 | D0254 | 0402-000553 | DIODE-SCHOTTKY;SS24/B240,40V,2000mA,DO-2 | 1 | S.A | |
| ...4 | D5111 | 0403-000258 | DIODE-ZENER;BZX84C5V6,5.2-6V,225mW,SOT-2 | 1 | S.A | |
| ...4 | D3199 | 0403-001052 | DIODE-ZENER;RD8.2MB,7.7-8.7V,200mW,SOT-2 | 1 | S.A | |
| ...4 | D1111 | 0403-001425 | DIODE-ZENER;BZX84C33,31-35V,350mW,SOT-23 | 1 | S.A | |
| ...4 | D0254 | 0404-001404 | DIODE-SCHOTTKY;BAT721C,40V,200mA,SOT-23, | 1 | S.A | |
| ...4 | D0254 | 0404-001404 | DIODE-SCHOTTKY;BAT721C,40V,200mA,SOT-23, | 1 | S.A | |
| ...4 | D0254 | 0404-001404 | DIODE-SCHOTTKY;BAT721C,40V,200mA,SOT-23, | 1 | S.A | |
| ...4 | D3119 | 0406-001172 | DIODE-TVS;CDS3C30GTH,48/-/50V,SMD | 1 | S.A | |
| ...4 | D3122 | 0406-001172 | DIODE-TVS;CDS3C30GTH,48/-/50V,SMD | 1 | S.A | |
| ...4 | D3138 | 0406-001172 | DIODE-TVS;CDS3C30GTH,48/-/50V,SMD | 1 | S.A | |
| ...4 | D3139 | 0406-001172 | DIODE-TVS;CDS3C30GTH,48/-/50V,SMD | 1 | S.A | |
| ...4 | D3179 | 0406-001172 | DIODE-TVS;CDS3C30GTH,48/-/50V,SMD | 1 | S.A | |
| ...4 | D3180 | 0406-001172 | DIODE-TVS;CDS3C30GTH,48/-/50V,SMD | 1 | S.A | |
| ...4 | D3182_NSID | 0406-001172 | DIODE-TVS;CDS3C30GTH,48/-/50V,SMD | 1 | S.A | |
| ...4 | D3183_NSID | 0406-001172 | DIODE-TVS;CDS3C30GTH,48/-/50V,SMD | 1 | S.A | |
| ...4 | D3184_NSID | 0406-001172 | DIODE-TVS;CDS3C30GTH,48/-/50V,SMD | 1 | S.A | |
| ...4 | D3185_NSID | 0406-001172 | DIODE-TVS;CDS3C30GTH,48/-/50V,SMD | 1 | S.A | |
| ...4 | D3188_NSID | 0406-001172 | DIODE-TVS;CDS3C30GTH,48/-/50V,SMD | 1 | S.A | |
| ...4 | D3189_NSID | 0406-001172 | DIODE-TVS;CDS3C30GTH,48/-/50V,SMD | 1 | S.A | |
| ...4 | D3190_NSID | 0406-001172 | DIODE-TVS;CDS3C30GTH,48/-/50V,SMD | 1 | S.A | |
| ...4 | D3251 | 0406-001172 | DIODE-TVS;CDS3C30GTH,48/-/50V,SMD | 1 | S.A | |
| ...4 | D3252 | 0406-001172 | DIODE-TVS;CDS3C30GTH,48/-/50V,SMD | 1 | S.A | |
| ...4 | D3208 | 0406-001181 | DIODE-TVS;NUP4201MR6,6/-/5V,500W,TSOP-6 | 1 | S.A | |
| ...4 | D2104 | 0407-000123 | DIODE-ARRAY;DAN202K,80V,100mA,CA2-3,SOT- | 1 | S.A | |
| ...4 | D2108 | 0407-000123 | DIODE-ARRAY;DAN202K,80V,100mA,CA2-3,SOT- | 1 | S.A | |

5. Exploded View & Part List

| Level | Location No. | Code No. | Description & Specification | Q'ty | SA/SNA | Remark |
|-------|--------------|-------------|--|------|--------|--------|
| ...4 | D2110 | 0407-000123 | DIODE-ARRAY;DAN202K,80V,100mA,CA2-3,SOT- | 1 | S.A | |
| ...4 | D7201 | 0407-000123 | DIODE-ARRAY;DAN202K,80V,100mA,CA2-3,SOT- | 1 | S.A | |
| ...4 | D7202 | 0407-000123 | DIODE-ARRAY;DAN202K,80V,100mA,CA2-3,SOT- | 1 | S.A | |
| ...4 | D7203 | 0407-000123 | DIODE-ARRAY;DAN202K,80V,100mA,CA2-3,SOT- | 1 | S.A | |
| ...4 | D7204 | 0407-000123 | DIODE-ARRAY;DAN202K,80V,100mA,CA2-3,SOT- | 1 | S.A | |
| ...4 | D7205 | 0407-000123 | DIODE-ARRAY;DAN202K,80V,100mA,CA2-3,SOT- | 1 | S.A | |
| ...4 | D7206 | 0407-000123 | DIODE-ARRAY;DAN202K,80V,100mA,CA2-3,SOT- | 1 | S.A | |
| ...4 | Q7001 | 0501-000002 | TR-SMALL SIGNAL;KSA812,PNP,150MW,SOT-23, | 1 | S.A | |
| ...4 | Q7002 | 0501-000002 | TR-SMALL SIGNAL;KSA812,PNP,150MW,SOT-23, | 1 | S.A | |
| ...4 | Q5201 | 0501-000434 | TR-SMALL SIGNAL;KTC3875S-GR,NPN,150mW,SO | 1 | S.A | |
| ...4 | Q7402 | 0501-000434 | TR-SMALL SIGNAL;KTC3875S-GR,NPN,150mW,SO | 1 | S.A | |
| ...4 | Q1104 | 0501-000445 | TR-SMALL SIGNAL;KTC3875S-Y,NPN,150mW,SOT | 1 | S.A | |
| ...4 | Q1111 | 0501-000445 | TR-SMALL SIGNAL;KTC3875S-Y,NPN,150mW,SOT | 1 | S.A | |
| ...4 | Q2102 | 0501-000445 | TR-SMALL SIGNAL;KTC3875S-Y,NPN,150mW,SOT | 1 | S.A | |
| ...4 | Q3101 | 0501-000445 | TR-SMALL SIGNAL;KTC3875S-Y,NPN,150mW,SOT | 1 | S.A | |
| ...4 | Q3102 | 0501-000445 | TR-SMALL SIGNAL;KTC3875S-Y,NPN,150mW,SOT | 1 | S.A | |
| ...4 | Q3106 | 0501-000445 | TR-SMALL SIGNAL;KTC3875S-Y,NPN,150mW,SOT | 1 | S.A | |
| ...4 | Q3107 | 0501-000445 | TR-SMALL SIGNAL;KTC3875S-Y,NPN,150mW,SOT | 1 | S.A | |
| ...4 | Q3111 | 0501-000445 | TR-SMALL SIGNAL;KTC3875S-Y,NPN,150mW,SOT | 1 | S.A | |
| ...4 | Q3112 | 0501-000445 | TR-SMALL SIGNAL;KTC3875S-Y,NPN,150mW,SOT | 1 | S.A | |
| ...4 | Q3113 | 0501-000445 | TR-SMALL SIGNAL;KTC3875S-Y,NPN,150mW,SOT | 1 | S.A | |
| ...4 | Q3114 | 0501-000445 | TR-SMALL SIGNAL;KTC3875S-Y,NPN,150mW,SOT | 1 | S.A | |
| ...4 | Q3151_NPN | 0501-000445 | TR-SMALL SIGNAL;KTC3875S-Y,NPN,150mW,SOT | 1 | S.A | |
| ...4 | Q3152_NPN | 0501-000445 | TR-SMALL SIGNAL;KTC3875S-Y,NPN,150mW,SOT | 1 | S.A | |
| ...4 | Q5104 | 0501-000445 | TR-SMALL SIGNAL;KTC3875S-Y,NPN,150mW,SOT | 1 | S.A | |
| ...4 | Q5108 | 0501-000445 | TR-SMALL SIGNAL;KTC3875S-Y,NPN,150mW,SOT | 1 | S.A | |
| ...4 | Q5109 | 0501-000445 | TR-SMALL SIGNAL;KTC3875S-Y,NPN,150mW,SOT | 1 | S.A | |
| ...4 | Q5202 | 0501-000445 | TR-SMALL SIGNAL;KTC3875S-Y,NPN,150mW,SOT | 1 | S.A | |
| ...4 | Q6101_DIM | 0501-000445 | TR-SMALL SIGNAL;KTC3875S-Y,NPN,150mW,SOT | 1 | S.A | |
| ...4 | Q1101_L | 0501-002080 | TR-SMALL SIGNAL;2SC2412K,NPN,200mW,SC-59 | 1 | S.A | |
| ...4 | Q1102_50HZ | 0501-002080 | TR-SMALL SIGNAL;2SC2412K,NPN,200mW,SC-59 | 1 | S.A | |
| ...4 | Q3103 | 0501-002080 | TR-SMALL SIGNAL;2SC2412K,NPN,200mW,SC-59 | 1 | S.A | |
| ...4 | Q3105 | 0501-002080 | TR-SMALL SIGNAL;2SC2412K,NPN,200mW,SC-59 | 1 | S.A | |
| ...4 | Q3108 | 0501-002080 | TR-SMALL SIGNAL;2SC2412K,NPN,200mW,SC-59 | 1 | S.A | |
| ...4 | Q3110 | 0501-002080 | TR-SMALL SIGNAL;2SC2412K,NPN,200mW,SC-59 | 1 | S.A | |
| ...4 | Q3153_NPN | 0501-002080 | TR-SMALL SIGNAL;2SC2412K,NPN,200mW,SC-59 | 1 | S.A | |
| ...4 | Q3116 | 0501-002184 | TR-SMALL SIGNAL;KTD1304,NPN,200mW,SOT-23 | 1 | S.A | |
| ...4 | Q3117 | 0501-002184 | TR-SMALL SIGNAL;KTD1304,NPN,200mW,SOT-23 | 1 | S.A | |
| ...4 | Q409 | 0505-000110 | FET-SILICON;2N7002,N,60V,115mA,7.5ohm,0. | 1 | S.A | |
| ...4 | Q409 | 0505-000110 | FET-SILICON;2N7002,N,60V,115mA,7.5ohm,0. | 1 | S.A | |
| ...4 | Q409 | 0505-000110 | FET-SILICON;2N7002,N,60V,115mA,7.5ohm,0. | 1 | S.A | |
| ...4 | Q409 | 0505-000110 | FET-SILICON;2N7002,N,60V,115mA,7.5ohm,0. | 1 | S.A | |
| ...4 | Q409 | 0505-000110 | FET-SILICON;2N7002,N,60V,115mA,7.5ohm,0. | 1 | S.A | |
| ...4 | Q409 | 0505-001170 | FET-SILICON;SI9933ADY-T1,P,-20V,3.4A,0.0 | 1 | S.A | |
| ...4 | IC104 | 0801-002095 | IC-CMOS LOGIC;74LCX245,TRANSCEIVER,TSSOP | 1 | S.A | |
| ...4 | IC104 | 0801-002172 | IC-CMOS LOGIC;74LCX16244,BUFFER/LINE DRI | 1 | S.A | |
| ...4 | IC104 | 0801-002172 | IC-CMOS LOGIC;74LCX16244,BUFFER/LINE DRI | 1 | S.A | |
| ...4 | IC104 | 0801-002172 | IC-CMOS LOGIC;74LCX16244,BUFFER/LINE DRI | 1 | S.A | |
| ...4 | IC104 | 0801-002630 | IC-CMOS LOGIC;74AHCT1G08,2-INPUT AND GAT | 1 | S.A | |
| ...4 | IC5110 | 1001-000164 | IC-ANALOG MULTIPLEX;74HC4052,CMOS,SOP,16 | 1 | S.A | |
| ...4 | IC106 | 1001-001513 | IC-VIDEO SWITCH;TMDS351PAG,TQFP,64P,9x9m | 1 | S.A | |

5. Exploded View & Part List

| Level | Location No. | Code No. | Description & Specification | Q'ty | SA/SNA | Remark |
|-------|--------------|-------------|--|------|--------|--------|
| ...4 | IC5108 | 1001-001523 | IC-ANALOG MULTIPLEX;74HC4052PW,TSSOP,16P | 1 | S.A | |
| ...4 | IC107 | 1002-001482 | IC-D/A CONVERTER;WM8521H9GED/R,16bit,SOI | 1 | S.A | |
| ...4 | IC2102 | 1002-001509 | IC-A/D&D/A CONVERTER;MT8291,24bit,LQFP,4 | 1 | S.A | |
| ...4 | IC110 | 1006-001076 | IC-DRIVER/RECEIVER;MAX232ECWE+T,SOP,16P, | 1 | S.A | |
| ...4 | IC112 | 1103-000129 | IC-EEPROM;24C02,2Kbit,256x8Bit,SOP,8P,5x | 1 | S.A | |
| ...4 | IC112 | 1103-000129 | IC-EEPROM;24C02,2Kbit,256x8Bit,SOP,8P,5x | 1 | S.A | |
| ...4 | IC112 | 1103-000129 | IC-EEPROM;24C02,2Kbit,256x8Bit,SOP,8P,5x | 1 | S.A | |
| ...4 | IC112 | 1103-000129 | IC-EEPROM;24C02,2Kbit,256x8Bit,SOP,8P,5x | 1 | S.A | |
| ...4 | IC112 | 1103-001385 | IC-EEPROM;AT24C256,256Kbit,32Kx8,SOP,8P, | 1 | S.A | |
| ...4 | IC112 | 1103-001410 | IC-EEPROM;S-24CS08AFJ-TB-1GE,8Kbit,1Kx8, | 1 | S.A | |
| ...4 | IC113 | 1105-001712 | IC-DRAM;HYB25D256163CE,DDR,256Mbit,16Mx1 | 1 | S.A | |
| ...4 | DU410 | 1201-000166 | IC-OP AMP;LM358,SOP,ST,8P,150MIL,DUAL,10 | 1 | S.A | |
| ...4 | T0124 | 1201-002677 | IC-POWER AMP;NTP3100,QFN56,56P,8x8mm,DUA | 1 | S.A | |
| ...4 | T0087 | 1203-001815 | IC-POSI.FIXED REG.;78M09,TO-252,3P,-,PLA | 1 | S.A | |
| ...4 | T0087 | 1203-002842 | IC-POSI.FIXED REG.;AP1117D-33A,TO-252,3P | 1 | S.A | |
| ...4 | T0087 | 1203-002974 | IC-POSI.FIXED REG.;AP1117D-25A,TO-252,3P | 1 | S.A | |
| ...4 | IC012 | 1203-002995 | IC-POSI.ADJUST REG.;AP1117D-A,TO-252,3P, | 1 | S.A | |
| ...4 | IC012 | 1203-002995 | IC-POSI.ADJUST REG.;AP1117D-A,TO-252,3P, | 1 | S.A | |
| ...4 | IC3104 | 1203-003394 | IC-POWER SUPERVISOR;MIC2544-1YM,SOP,8P,4 | 1 | S.A | |
| ...4 | IC7206 | 1203-003394 | IC-POWER SUPERVISOR;MIC2544-1YM,SOP,8P,4 | 1 | S.A | |
| ...4 | T0087 | 1203-003696 | IC-POSI.FIXED REG.;NCP1117DT18T5G,DPAK,3 | 1 | S.A | |
| ...4 | T0087 | 1203-003696 | IC-POSI.FIXED REG.;NCP1117DT18T5G,DPAK,3 | 1 | S.A | |
| ...4 | IC5102 | 1203-004363 | IC-VOL. DETECTOR;RT9818C-29PV,SOT-23,3P, | 1 | S.A | |
| ...4 | IC2103 | 1203-004364 | IC-VOL. DETECTOR;RT9818C-42PV,SOT-23,3P, | 1 | S.A | |
| ...4 | IC7402 | 1203-004364 | IC-VOL. DETECTOR;RT9818C-42PV,SOT-23,3P, | 1 | S.A | |
| ...4 | T0087 | 1203-004816 | IC-POSI.FIXED REG.;KIA78D015F,DPAK,3P,6. | 1 | S.A | |
| ...4 | T0170 | 1203-004868 | IC-SWITCH VOL. REG.;MP2363,SOIC,8P,4.9x3 | 1 | S.A | |
| ...4 | T0170 | 1203-004868 | IC-SWITCH VOL. REG.;MP2363,SOIC,8P,4.9x3 | 1 | S.A | |
| ...4 | IC7001 | 1204-002861 | IC-DECODER;UPD61211GM-104-GAA-A,QFP,216P | 1 | S.A | |
| ...4 | IC118 | 1204-002869 | IC-VIDEO PROCESS;MT8226FJ,BGA,569P,31x31 | 1 | S.A | |
| ...4 | D3107 | 1405-001185 | VARISTOR;24Vdc,1.6x0.8x0.36mm,TP | 1 | S.A | |
| ...4 | D3110 | 1405-001185 | VARISTOR;24Vdc,1.6x0.8x0.36mm,TP | 1 | S.A | |
| ...4 | D3113 | 1405-001185 | VARISTOR;24Vdc,1.6x0.8x0.36mm,TP | 1 | S.A | |
| ...4 | D5502 | 1405-001185 | VARISTOR;24Vdc,1.6x0.8x0.36mm,TP | 1 | S.A | |
| ...4 | R110 | 2007-000029 | R-CHIP;0ohm,5%,1/8W,TP,2012 | 1 | S.A | |
| ...4 | R110 | 2007-000029 | R-CHIP;0ohm,5%,1/8W,TP,2012 | 1 | S.A | |
| ...4 | R110 | 2007-000040 | R-CHIP;150ohm,1%,1/10W,TP,1608 | 1 | S.A | |
| ...4 | R110 | 2007-000052 | R-CHIP;10Kohm,1%,1/10W,TP,1608 | 1 | S.A | |
| ...4 | R110 | 2007-000052 | R-CHIP;10Kohm,1%,1/10W,TP,1608 | 1 | S.A | |
| ...4 | R110 | 2007-000052 | R-CHIP;10Kohm,1%,1/10W,TP,1608 | 1 | S.A | |
| ...4 | R110 | 2007-000052 | R-CHIP;10Kohm,1%,1/10W,TP,1608 | 1 | S.A | |
| ...4 | R110 | 2007-000052 | R-CHIP;10Kohm,1%,1/10W,TP,1608 | 1 | S.A | |
| ...4 | R110 | 2007-000052 | R-CHIP;10Kohm,1%,1/10W,TP,1608 | 1 | S.A | |
| ...4 | R110 | 2007-000052 | R-CHIP;10Kohm,1%,1/10W,TP,1608 | 1 | S.A | |
| ...4 | R110 | 2007-000052 | R-CHIP;10Kohm,1%,1/10W,TP,1608 | 1 | S.A | |
| ...4 | R110 | 2007-000052 | R-CHIP;10Kohm,1%,1/10W,TP,1608 | 1 | S.A | |
| ...4 | R110 | 2007-000052 | R-CHIP;10Kohm,1%,1/10W,TP,1608 | 1 | S.A | |
| ...4 | R110 | 2007-000052 | R-CHIP;10Kohm,1%,1/10W,TP,1608 | 1 | S.A | |
| ...4 | R110 | 2007-000052 | R-CHIP;10Kohm,1%,1/10W,TP,1608 | 1 | S.A | |
| ...4 | R110 | 2007-000052 | R-CHIP;10Kohm,1%,1/10W,TP,1608 | 1 | S.A | |
| ...4 | R110 | 2007-000052 | R-CHIP;10Kohm,1%,1/10W,TP,1608 | 1 | S.A | |
| ...4 | R110 | 2007-000074 | R-CHIP;100ohm,5%,1/10W,TP,1608 | 1 | S.A | |

| Level | Location No. | Code No. | Description & Specification | Q'ty | SA/SNA | Remark |
|-------|--------------|-------------|--|------|--------|--------|
|4 | R110 | 2007-007306 | R-CHIP;100ohm,1%,1/16W,TP,1005 | 1 | S.N.A | |
|4 | R110 | 2007-007306 | R-CHIP;100ohm,1%,1/16W,TP,1005 | 1 | S.N.A | |
|4 | R110 | 2007-007306 | R-CHIP;100ohm,1%,1/16W,TP,1005 | 1 | S.N.A | |
|4 | R110 | 2007-007306 | R-CHIP;100ohm,1%,1/16W,TP,1005 | 1 | S.N.A | |
|4 | R110 | 2007-007306 | R-CHIP;100ohm,1%,1/16W,TP,1005 | 1 | S.N.A | |
|4 | R110 | 2007-007306 | R-CHIP;100ohm,1%,1/16W,TP,1005 | 1 | S.N.A | |
|4 | R110 | 2007-007306 | R-CHIP;100ohm,1%,1/16W,TP,1005 | 1 | S.N.A | |
|4 | R110 | 2007-007306 | R-CHIP;100ohm,1%,1/16W,TP,1005 | 1 | S.N.A | |
|4 | R110 | 2007-007318 | R-CHIP;1Kohm,1%,1/16W,TP,1005 | 1 | S.N.A | |
|4 | R110 | 2007-007318 | R-CHIP;1Kohm,1%,1/16W,TP,1005 | 1 | S.N.A | |
|4 | R110 | 2007-007318 | R-CHIP;1Kohm,1%,1/16W,TP,1005 | 1 | S.N.A | |
|4 | R110 | 2007-007698 | R-CHIP;5.1KOHM,1%,1/16W,TP,1005 | 1 | S.N.A | |
|4 | R110 | 2007-007723 | R-CHIP;75Kohm,1%,1/10W,TP,1608 | 1 | S.A | |
|4 | RA5104 | 2011-000585 | R-NETWORK;47ohm,5%,1/16W,L,CHIP,8P,TP,3. | 1 | S.A | |
|4 | RA5105 | 2011-000585 | R-NETWORK;47ohm,5%,1/16W,L,CHIP,8P,TP,3. | 1 | S.A | |
|4 | RA5106 | 2011-000585 | R-NETWORK;47ohm,5%,1/16W,L,CHIP,8P,TP,3. | 1 | S.A | |
|4 | RA5107 | 2011-000585 | R-NETWORK;47ohm,5%,1/16W,L,CHIP,8P,TP,3. | 1 | S.A | |
|4 | RA5108 | 2011-000585 | R-NETWORK;47ohm,5%,1/16W,L,CHIP,8P,TP,3. | 1 | S.A | |
|4 | RA5109 | 2011-000585 | R-NETWORK;47ohm,5%,1/16W,L,CHIP,8P,TP,3. | 1 | S.A | |
|4 | RA3101 | 2011-000651 | R-NETWORK;10ohm,5%,1/16W,L,CHIP,8P,TP,32 | 1 | S.A | |
|4 | RA3102 | 2011-000651 | R-NETWORK;10ohm,5%,1/16W,L,CHIP,8P,TP,32 | 1 | S.A | |
|4 | RA3103 | 2011-000651 | R-NETWORK;10ohm,5%,1/16W,L,CHIP,8P,TP,32 | 1 | S.A | |
|4 | RA3104 | 2011-000651 | R-NETWORK;10ohm,5%,1/16W,L,CHIP,8P,TP,32 | 1 | S.A | |
|4 | RA3109 | 2011-000651 | R-NETWORK;10ohm,5%,1/16W,L,CHIP,8P,TP,32 | 1 | S.A | |
|4 | RA3110 | 2011-000651 | R-NETWORK;10ohm,5%,1/16W,L,CHIP,8P,TP,32 | 1 | S.A | |
|4 | RA3111 | 2011-000651 | R-NETWORK;10ohm,5%,1/16W,L,CHIP,8P,TP,32 | 1 | S.A | |
|4 | RA3112 | 2011-000651 | R-NETWORK;10ohm,5%,1/16W,L,CHIP,8P,TP,32 | 1 | S.A | |
|4 | RA3117 | 2011-000651 | R-NETWORK;10ohm,5%,1/16W,L,CHIP,8P,TP,32 | 1 | S.A | |
|4 | RA3118 | 2011-000651 | R-NETWORK;10ohm,5%,1/16W,L,CHIP,8P,TP,32 | 1 | S.A | |
|4 | RA5101 | 2011-000816 | R-NETWORK;100ohm,5%,1/16W,L,CHIP,8P,TP,3 | 1 | S.A | |
|4 | RA7104 | 2011-000816 | R-NETWORK;100ohm,5%,1/16W,L,CHIP,8P,TP,3 | 1 | S.A | |
|4 | RA2101 | 2011-000881 | R-NETWORK;33ohm,5%,1/16W,L,CHIP,8P,TP,3. | 1 | S.A | |
|4 | RA3115 | 2011-000881 | R-NETWORK;33ohm,5%,1/16W,L,CHIP,8P,TP,3. | 1 | S.A | |
|4 | RA3116 | 2011-000881 | R-NETWORK;33ohm,5%,1/16W,L,CHIP,8P,TP,3. | 1 | S.A | |
|4 | RA5102 | 2011-000881 | R-NETWORK;33ohm,5%,1/16W,L,CHIP,8P,TP,3. | 1 | S.A | |
|4 | RA5103 | 2011-000881 | R-NETWORK;33ohm,5%,1/16W,L,CHIP,8P,TP,3. | 1 | S.A | |
|4 | RA7103 | 2011-000881 | R-NETWORK;33ohm,5%,1/16W,L,CHIP,8P,TP,3. | 1 | S.A | |
|4 | RA7105 | 2011-000881 | R-NETWORK;33ohm,5%,1/16W,L,CHIP,8P,TP,3. | 1 | S.A | |
|4 | RA7107 | 2011-000881 | R-NETWORK;33ohm,5%,1/16W,L,CHIP,8P,TP,3. | 1 | S.A | |
|4 | RA7108 | 2011-000881 | R-NETWORK;33ohm,5%,1/16W,L,CHIP,8P,TP,3. | 1 | S.A | |
|4 | RA7203 | 2011-000881 | R-NETWORK;33ohm,5%,1/16W,L,CHIP,8P,TP,3. | 1 | S.A | |
|4 | RA7204 | 2011-000881 | R-NETWORK;33ohm,5%,1/16W,L,CHIP,8P,TP,3. | 1 | S.A | |
|4 | R3337_NSID | 2011-001001 | R-NETWORK;0ohm,5%,1/16W,L,CHIP,8P,TP,3.2 | 1 | S.A | |
|4 | R3338_NSID | 2011-001001 | R-NETWORK;0ohm,5%,1/16W,L,CHIP,8P,TP,3.2 | 1 | S.A | |
|4 | R3339_NSID | 2011-001001 | R-NETWORK;0ohm,5%,1/16W,L,CHIP,8P,TP,3.2 | 1 | S.A | |
|4 | RA5243 | 2011-001001 | R-NETWORK;0ohm,5%,1/16W,L,CHIP,8P,TP,3.2 | 1 | S.A | |
|4 | RA5244 | 2011-001001 | R-NETWORK;0ohm,5%,1/16W,L,CHIP,8P,TP,3.2 | 1 | S.A | |
|4 | RA5245 | 2011-001001 | R-NETWORK;0ohm,5%,1/16W,L,CHIP,8P,TP,3.2 | 1 | S.A | |
|4 | RA5246 | 2011-001001 | R-NETWORK;0ohm,5%,1/16W,L,CHIP,8P,TP,3.2 | 1 | S.A | |
|4 | RA5247 | 2011-001001 | R-NETWORK;0ohm,5%,1/16W,L,CHIP,8P,TP,3.2 | 1 | S.A | |
|4 | RA6101 | 2011-001001 | R-NETWORK;0ohm,5%,1/16W,L,CHIP,8P,TP,3.2 | 1 | S.A | |

5. Exploded View & Part List

| Level | Location No. | Code No. | Description & Specification | Q'ty | SA/SNA | Remark |
|-------|--------------|-------------|--|------|--------|--------|
| ...4 | RA6169 | 2011-001001 | R-NETWORK;0ohm,5%,1/16W,L,CHIP,8P,TP,3.2 | 1 | S.A | |
| ...4 | RA6170 | 2011-001001 | R-NETWORK;0ohm,5%,1/16W,L,CHIP,8P,TP,3.2 | 1 | S.A | |
| ...4 | RA6172 | 2011-001001 | R-NETWORK;0ohm,5%,1/16W,L,CHIP,8P,TP,3.2 | 1 | S.A | |
| ...4 | RA6173 | 2011-001001 | R-NETWORK;0ohm,5%,1/16W,L,CHIP,8P,TP,3.2 | 1 | S.A | |
| ...4 | RA7009 | 2011-001011 | R-NETWORK;10Kohm,5%,1/16W,L,CHIP,8P,TP,3 | 1 | S.A | |
| ...4 | RA7010 | 2011-001011 | R-NETWORK;10Kohm,5%,1/16W,L,CHIP,8P,TP,3 | 1 | S.A | |
| ...4 | RA7011 | 2011-001011 | R-NETWORK;10Kohm,5%,1/16W,L,CHIP,8P,TP,3 | 1 | S.A | |
| ...4 | RA7012 | 2011-001011 | R-NETWORK;10Kohm,5%,1/16W,L,CHIP,8P,TP,3 | 1 | S.A | |
| ...4 | RA7209 | 2011-001011 | R-NETWORK;10Kohm,5%,1/16W,L,CHIP,8P,TP,3 | 1 | S.A | |
| ...4 | RA7001 | 2011-001087 | R-NETWORK;75ohm,5%,1/16W,L,CHIP,8P,TP,3. | 1 | S.A | |
| ...4 | RA7002 | 2011-001087 | R-NETWORK;75ohm,5%,1/16W,L,CHIP,8P,TP,3. | 1 | S.A | |
| ...4 | RA7003 | 2011-001087 | R-NETWORK;75ohm,5%,1/16W,L,CHIP,8P,TP,3. | 1 | S.A | |
| ...4 | RA7004 | 2011-001087 | R-NETWORK;75ohm,5%,1/16W,L,CHIP,8P,TP,3. | 1 | S.A | |
| ...4 | RA7005 | 2011-001087 | R-NETWORK;75ohm,5%,1/16W,L,CHIP,8P,TP,3. | 1 | S.A | |
| ...4 | RA7006 | 2011-001087 | R-NETWORK;75ohm,5%,1/16W,L,CHIP,8P,TP,3. | 1 | S.A | |
| ...4 | RA7007 | 2011-001087 | R-NETWORK;75ohm,5%,1/16W,L,CHIP,8P,TP,3. | 1 | S.A | |
| ...4 | RA7008 | 2011-001087 | R-NETWORK;75ohm,5%,1/16W,L,CHIP,8P,TP,3. | 1 | S.A | |
| ...4 | RA7101 | 2011-001087 | R-NETWORK;75ohm,5%,1/16W,L,CHIP,8P,TP,3. | 1 | S.A | |
| ...4 | RA7205 | 2011-001087 | R-NETWORK;75ohm,5%,1/16W,L,CHIP,8P,TP,3. | 1 | S.A | |
| ...4 | RA7210 | 2011-001087 | R-NETWORK;75ohm,5%,1/16W,L,CHIP,8P,TP,3. | 1 | S.A | |
| ...4 | RA2102 | 2011-001093 | R-NETWORK;100ohm,5%,1/16W,L,CHIP,8P,TP,3 | 1 | S.A | |
| ...4 | RA2103 | 2011-001093 | R-NETWORK;100ohm,5%,1/16W,L,CHIP,8P,TP,3 | 1 | S.A | |
| ...4 | RA7201 | 2011-001093 | R-NETWORK;100ohm,5%,1/16W,L,CHIP,8P,TP,3 | 1 | S.A | |
| ...4 | RA7202 | 2011-001093 | R-NETWORK;100ohm,5%,1/16W,L,CHIP,8P,TP,3 | 1 | S.A | |
| ...4 | C120 | 2203-000206 | C-CER,CHIP;100nF,10%,50V,X7R,2012 | 1 | S.A | |
| ...4 | C120 | 2203-000233 | C-CER,CHIP;0.1nF,5%,50V,C0G,1005 | 1 | S.A | |
| ...4 | C120 | 2203-000233 | C-CER,CHIP;0.1nF,5%,50V,C0G,1005 | 1 | S.A | |
| ...4 | C120 | 2203-000233 | C-CER,CHIP;0.1nF,5%,50V,C0G,1005 | 1 | S.A | |
| ...4 | C120 | 2203-000233 | C-CER,CHIP;0.1nF,5%,50V,C0G,1005 | 1 | S.A | |
| ...4 | C120 | 2203-000233 | C-CER,CHIP;0.1nF,5%,50V,C0G,1005 | 1 | S.A | |
| ...4 | C120 | 2203-000233 | C-CER,CHIP;0.1nF,5%,50V,C0G,1005 | 1 | S.A | |
| ...4 | C120 | 2203-000233 | C-CER,CHIP;0.1nF,5%,50V,C0G,1005 | 1 | S.A | |
| ...4 | C120 | 2203-000233 | C-CER,CHIP;0.1nF,5%,50V,C0G,1005 | 1 | S.A | |
| ...4 | C120 | 2203-000233 | C-CER,CHIP;0.1nF,5%,50V,C0G,1005 | 1 | S.A | |
| ...4 | C120 | 2203-000233 | C-CER,CHIP;0.1nF,5%,50V,C0G,1005 | 1 | S.A | |
| ...4 | C120 | 2203-000233 | C-CER,CHIP;0.1nF,5%,50V,C0G,1005 | 1 | S.A | |
| ...4 | C120 | 2203-000332 | C-CER,CHIP;0.012nF,5%,50V,C0G,1608 | 1 | S.A | |
| ...4 | C120 | 2203-000332 | C-CER,CHIP;0.012nF,5%,50V,C0G,1608 | 1 | S.A | |
| ...4 | C120 | 2203-000386 | C-CER,CHIP;0.015nF,5%,50V,C0G,1005 | 1 | S.A | |
| ...4 | C120 | 2203-000386 | C-CER,CHIP;0.015nF,5%,50V,C0G,1005 | 1 | S.A | |
| ...4 | C120 | 2203-000386 | C-CER,CHIP;0.015nF,5%,50V,C0G,1005 | 1 | S.A | |
| ...4 | C120 | 2203-000425 | C-CER,CHIP;0.018nF,5%,50V,C0G,1005 | 1 | S.A | |
| ...4 | C120 | 2203-000425 | C-CER,CHIP;0.018nF,5%,50V,C0G,1005 | 1 | S.A | |
| ...4 | C120 | 2203-000438 | C-CER,CHIP;1nF,10%,50V,X7R,1005 | 1 | S.A | |
| ...4 | C120 | 2203-000438 | C-CER,CHIP;1nF,10%,50V,X7R,1005 | 1 | S.A | |
| ...4 | C120 | 2203-000438 | C-CER,CHIP;1nF,10%,50V,X7R,1005 | 1 | S.A | |
| ...4 | C120 | 2203-000438 | C-CER,CHIP;1nF,10%,50V,X7R,1005 | 1 | S.A | |
| ...4 | C120 | 2203-000438 | C-CER,CHIP;1nF,10%,50V,X7R,1005 | 1 | S.A | |
| ...4 | C120 | 2203-000438 | C-CER,CHIP;1nF,10%,50V,X7R,1005 | 1 | S.A | |
| ...4 | C120 | 2203-000438 | C-CER,CHIP;1nF,10%,50V,X7R,1005 | 1 | S.A | |
| ...4 | C120 | 2203-000438 | C-CER,CHIP;1nF,10%,50V,X7R,1005 | 1 | S.A | |
| ...4 | C120 | 2203-000438 | C-CER,CHIP;1nF,10%,50V,X7R,1005 | 1 | S.A | |
| ...4 | C120 | 2203-000438 | C-CER,CHIP;1nF,10%,50V,X7R,1005 | 1 | S.A | |

| Level | Location No. | Code No. | Description & Specification | Q'ty | SA/SNA | Remark |
|-------|--------------|-------------|--|------|--------|--------|
| ...4 | C120 | 2203-000438 | C-CER,CHIP;1nF,10%,50V,X7R,1005 | 1 | S.A | |
| ...4 | C120 | 2203-000438 | C-CER,CHIP;1nF,10%,50V,X7R,1005 | 1 | S.A | |
| ...4 | C120 | 2203-000438 | C-CER,CHIP;1nF,10%,50V,X7R,1005 | 1 | S.A | |
| ...4 | C120 | 2203-000438 | C-CER,CHIP;1nF,10%,50V,X7R,1005 | 1 | S.A | |
| ...4 | C120 | 2203-000438 | C-CER,CHIP;1nF,10%,50V,X7R,1005 | 1 | S.A | |
| ...4 | C120 | 2203-000438 | C-CER,CHIP;1nF,10%,50V,X7R,1005 | 1 | S.A | |
| ...4 | C120 | 2203-000438 | C-CER,CHIP;1nF,10%,50V,X7R,1005 | 1 | S.A | |
| ...4 | C120 | 2203-000489 | C-CER,CHIP;2.2nF,10%,50V,X7R,1005 | 1 | S.A | |
| ...4 | C120 | 2203-000489 | C-CER,CHIP;2.2nF,10%,50V,X7R,1005 | 1 | S.A | |
| ...4 | C120 | 2203-000489 | C-CER,CHIP;2.2nF,10%,50V,X7R,1005 | 1 | S.A | |
| ...4 | C120 | 2203-000489 | C-CER,CHIP;2.2nF,10%,50V,X7R,1005 | 1 | S.A | |
| ...4 | C120 | 2203-000489 | C-CER,CHIP;2.2nF,10%,50V,X7R,1005 | 1 | S.A | |
| ...4 | C120 | 2203-000550 | C-CER,CHIP;0.02nF,5%,50V,C0G,1005 | 1 | S.N.A | |
| ...4 | C120 | 2203-000550 | C-CER,CHIP;0.02nF,5%,50V,C0G,1005 | 1 | S.N.A | |
| ...4 | C120 | 2203-000627 | C-CER,CHIP;0.022nF,5%,50V,C0G,1005 | 1 | S.N.A | |
| ...4 | C120 | 2203-000627 | C-CER,CHIP;0.022nF,5%,50V,C0G,1005 | 1 | S.N.A | |
| ...4 | C120 | 2203-000627 | C-CER,CHIP;0.022nF,5%,50V,C0G,1005 | 1 | S.N.A | |
| ...4 | C120 | 2203-000714 | C-CER,CHIP;3.3nF,10%,50V,X7R,TP,1005,- | 1 | S.A | |
| ...4 | C120 | 2203-000714 | C-CER,CHIP;3.3nF,10%,50V,X7R,TP,1005,- | 1 | S.A | |
| ...4 | C120 | 2203-000783 | C-CER,CHIP;0.33nF,5%,50V,C0G,1608 | 1 | S.A | |
| ...4 | C120 | 2203-000783 | C-CER,CHIP;0.33nF,5%,50V,C0G,1608 | 1 | S.A | |
| ...4 | C120 | 2203-000783 | C-CER,CHIP;0.33nF,5%,50V,C0G,1608 | 1 | S.A | |
| ...4 | C120 | 2203-000783 | C-CER,CHIP;0.33nF,5%,50V,C0G,1608 | 1 | S.A | |
| ...4 | C120 | 2203-000783 | C-CER,CHIP;0.33nF,5%,50V,C0G,1608 | 1 | S.A | |
| ...4 | C120 | 2203-000783 | C-CER,CHIP;0.33nF,5%,50V,C0G,1608 | 1 | S.A | |
| ...4 | C120 | 2203-000783 | C-CER,CHIP;0.33nF,5%,50V,C0G,1608 | 1 | S.A | |
| ...4 | C120 | 2203-000815 | C-CER,CHIP;0.033nF,5%,50V,C0G,1608 | 1 | S.A | |
| ...4 | C120 | 2203-000815 | C-CER,CHIP;0.033nF,5%,50V,C0G,1608 | 1 | S.A | |
| ...4 | C120 | 2203-000925 | C-CER,CHIP;470nF,+80-20%,50V,Y5V,2012 | 1 | S.A | |
| ...4 | C120 | 2203-000925 | C-CER,CHIP;470nF,+80-20%,50V,Y5V,2012 | 1 | S.A | |
| ...4 | C120 | 2203-000975 | C-CER,CHIP;47nF,10%,25V,X7R,TP,1608,- | 1 | S.A | |
| ...4 | C120 | 2203-000975 | C-CER,CHIP;47nF,10%,25V,X7R,TP,1608,- | 1 | S.A | |
| ...4 | C120 | 2203-000975 | C-CER,CHIP;47nF,10%,25V,X7R,TP,1608,- | 1 | S.A | |
| ...4 | C120 | 2203-000975 | C-CER,CHIP;47nF,10%,25V,X7R,TP,1608,- | 1 | S.A | |
| ...4 | C120 | 2203-000975 | C-CER,CHIP;47nF,10%,25V,X7R,TP,1608,- | 1 | S.A | |
| ...4 | C120 | 2203-000975 | C-CER,CHIP;47nF,10%,25V,X7R,TP,1608,- | 1 | S.A | |
| ...4 | C120 | 2203-000975 | C-CER,CHIP;47nF,10%,25V,X7R,TP,1608,- | 1 | S.A | |
| ...4 | C120 | 2203-000998 | C-CER,CHIP;0.047nF,5%,50V,C0G,1608 | 1 | S.A | |
| ...4 | C120 | 2203-000998 | C-CER,CHIP;0.047nF,5%,50V,C0G,1608 | 1 | S.A | |
| ...4 | C120 | 2203-000998 | C-CER,CHIP;0.047nF,5%,50V,C0G,1608 | 1 | S.A | |
| ...4 | C120 | 2203-000998 | C-CER,CHIP;0.047nF,5%,50V,C0G,1608 | 1 | S.A | |
| ...4 | C120 | 2203-000998 | C-CER,CHIP;0.047nF,5%,50V,C0G,1608 | 1 | S.A | |
| ...4 | C120 | 2203-001153 | C-CER,CHIP;0.068nF,5%,50V,NP0,1005 | 1 | S.A | |
| ...4 | C120 | 2203-001153 | C-CER,CHIP;0.068nF,5%,50V,NP0,1005 | 1 | S.A | |
| ...4 | C120 | 2203-001153 | C-CER,CHIP;0.068nF,5%,50V,NP0,1005 | 1 | S.A | |
| ...4 | C120 | 2203-001153 | C-CER,CHIP;0.068nF,5%,50V,NP0,1005 | 1 | S.A | |
| ...4 | C120 | 2203-001153 | C-CER,CHIP;0.068nF,5%,50V,NP0,1005 | 1 | S.A | |
| ...4 | C120 | 2203-001153 | C-CER,CHIP;0.068nF,5%,50V,NP0,1005 | 1 | S.A | |
| ...4 | C120 | 2203-001630 | C-CER,CHIP;330nF,+80-20%,16V,Y5V,1608 | 1 | S.A | |

5. Exploded View & Part List

| Level | Location No. | Code No. | Description & Specification | Q'ty | SA/SNA | Remark |
|-------|--------------|-------------|--|------|--------|--------|
| ...4 | T0052 | 2703-002722 | INDUCTOR-SMD;22uH,20%,12x12mm | 1 | S.A | |
| ...4 | T0052 | 2703-002722 | INDUCTOR-SMD;22uH,20%,12x12mm | 1 | S.A | |
| ...4 | L2101 | 2704-000018 | INDUCTOR-SMD-ARRAY;15uH,2000mA,2,0.124oh | 1 | S.N.A | |
| ...4 | L2102 | 2704-000018 | INDUCTOR-SMD-ARRAY;15uH,2000mA,2,0.124oh | 1 | S.N.A | |
| ...4 | X202 | 2801-003326 | CRYSTAL-SMD;24MHZ,30PPM,28-ABX,20PF,50OH | 1 | S.A | |
| ...4 | X202 | 2801-003954 | CRYSTAL-SMD;27MHz,30ppm,28-AAN,16pF,50oh | 1 | S.A | |
| ...4 | X202 | 2801-003954 | CRYSTAL-SMD;27MHz,30ppm,28-AAN,16pF,50oh | 1 | S.A | |
| ...4 | F103 | 2901-001114 | FILTER-EMI SMD;25VDC,2.0ADC,-,100nF,3.2x | 1 | S.A | |
| ...4 | F103 | 2901-001302 | FILTER-EMI SMD;20V,0.3A,0pF,2.0x1.2x1.3m | 1 | S.A | |
| ...4 | F103 | 2901-001302 | FILTER-EMI SMD;20V,0.3A,0pF,2.0x1.2x1.3m | 1 | S.A | |
| ...4 | F103 | 2901-001302 | FILTER-EMI SMD;20V,0.3A,0pF,2.0x1.2x1.3m | 1 | S.A | |
| ...4 | F103 | 2901-001302 | FILTER-EMI SMD;20V,0.3A,0pF,2.0x1.2x1.3m | 1 | S.A | |
| ...4 | T0568 | 3301-001145 | BEAD-SMD;60ohm,4516,TP,70ohm/45MHz,82ohm | 1 | S.N.A | |
| ...4 | T0568 | 3301-001145 | BEAD-SMD;60ohm,4516,TP,70ohm/45MHz,82ohm | 1 | S.N.A | |
| ...4 | T0568 | 3301-001145 | BEAD-SMD;60ohm,4516,TP,70ohm/45MHz,82ohm | 1 | S.N.A | |
| ...4 | T0568 | 3301-001145 | BEAD-SMD;60ohm,4516,TP,70ohm/45MHz,82ohm | 1 | S.N.A | |
| ...4 | T0568 | 3301-001145 | BEAD-SMD;60ohm,4516,TP,70ohm/45MHz,82ohm | 1 | S.N.A | |
| ...4 | T0568 | 3301-001145 | BEAD-SMD;60ohm,4516,TP,70ohm/45MHz,82ohm | 1 | S.N.A | |
| ...4 | T0568 | 3301-001145 | BEAD-SMD;60ohm,4516,TP,70ohm/45MHz,82ohm | 1 | S.N.A | |
| ...4 | T0568 | 3301-001148 | BEAD-SMD;60ohm,1608,TP,-,- | 1 | S.N.A | |
| ...4 | T0568 | 3301-001148 | BEAD-SMD;60ohm,1608,TP,-,- | 1 | S.N.A | |
| ...4 | T0568 | 3301-001148 | BEAD-SMD;60ohm,1608,TP,-,- | 1 | S.N.A | |
| ...4 | T0568 | 3301-001404 | BEAD-SMD;30ohm,2012,TP,15.9OHM/30MHz | 1 | S.A | |
| ...4 | T0568 | 3301-001404 | BEAD-SMD;30ohm,2012,TP,15.9OHM/30MHz | 1 | S.A | |
| ...4 | T0568 | 3301-001404 | BEAD-SMD;30ohm,2012,TP,15.9OHM/30MHz | 1 | S.A | |
| ...4 | T0568 | 3301-001404 | BEAD-SMD;30ohm,2012,TP,15.9OHM/30MHz | 1 | S.A | |
| ...4 | T0568 | 3301-001404 | BEAD-SMD;30ohm,2012,TP,15.9OHM/30MHz | 1 | S.A | |
| ...4 | T0568 | 3301-001404 | BEAD-SMD;30ohm,2012,TP,15.9OHM/30MHz | 1 | S.A | |
| ...4 | T0568 | 3301-001404 | BEAD-SMD;30ohm,2012,TP,15.9OHM/30MHz | 1 | S.A | |
| ...4 | T0568 | 3301-001404 | BEAD-SMD;30ohm,2012,TP,15.9OHM/30MHz | 1 | S.A | |
| ...4 | T0568 | 3301-001404 | BEAD-SMD;30ohm,2012,TP,15.9OHM/30MHz | 1 | S.A | |
| ...4 | T0568 | 3301-001404 | BEAD-SMD;30ohm,2012,TP,15.9OHM/30MHz | 1 | S.A | |
| ...4 | T0568 | 3301-001404 | BEAD-SMD;30ohm,2012,TP,15.9OHM/30MHz | 1 | S.A | |
| ...4 | T0568 | 3301-001404 | BEAD-SMD;30ohm,2012,TP,15.9OHM/30MHz | 1 | S.A | |
| ...4 | T0568 | 3301-001404 | BEAD-SMD;30ohm,2012,TP,15.9OHM/30MHz | 1 | S.A | |
| ...4 | T0568 | 3301-001404 | BEAD-SMD;30ohm,2012,TP,15.9OHM/30MHz | 1 | S.A | |
| ...4 | T0568 | 3301-001404 | BEAD-SMD;30ohm,2012,TP,15.9OHM/30MHz | 1 | S.A | |
| ...4 | T0568 | 3301-001404 | BEAD-SMD;30ohm,2012,TP,15.9OHM/30MHz | 1 | S.A | |
| ...4 | T0568 | 3301-001404 | BEAD-SMD;30ohm,2012,TP,15.9OHM/30MHz | 1 | S.A | |
| ...4 | T0568 | 3301-001404 | BEAD-SMD;30ohm,2012,TP,15.9OHM/30MHz | 1 | S.A | |
| ...4 | T0568 | 3301-001404 | BEAD-SMD;30ohm,2012,TP,15.9OHM/30MHz | 1 | S.A | |
| ...4 | T0568 | 3301-001404 | BEAD-SMD;30ohm,2012,TP,15.9OHM/30MHz | 1 | S.A | |
| ...4 | T0568 | 3301-001404 | BEAD-SMD;30ohm,2012,TP,15.9OHM/30MHz | 1 | S.A | |
| ...4 | T0568 | 3301-001404 | BEAD-SMD;30ohm,2012,TP,15.9OHM/30MHz | 1 | S.A | |
| ...4 | T0568 | 3301-001569 | BEAD-SMD;600ohm,2012,1000mA,TP,520ohm/90 | 1 | S.N.A | |
| ...4 | T0568 | 3301-001569 | BEAD-SMD;600ohm,2012,1000mA,TP,520ohm/90 | 1 | S.N.A | |
| ...4 | T0568 | 3301-001569 | BEAD-SMD;600ohm,2012,1000mA,TP,520ohm/90 | 1 | S.N.A | |
| ...4 | T0568 | 3301-001569 | BEAD-SMD;600ohm,2012,1000mA,TP,520ohm/90 | 1 | S.N.A | |
| ...4 | T0568 | 3301-001569 | BEAD-SMD;600ohm,2012,1000mA,TP,520ohm/90 | 1 | S.N.A | |
| ...4 | T0568 | 3301-001569 | BEAD-SMD;600ohm,2012,1000mA,TP,520ohm/90 | 1 | S.N.A | |
| ...4 | T0568 | 3301-001569 | BEAD-SMD;600ohm,2012,1000mA,TP,520ohm/90 | 1 | S.N.A | |
| ...4 | T0568 | 3301-001569 | BEAD-SMD;600ohm,2012,1000mA,TP,520ohm/90 | 1 | S.N.A | |
| ...4 | T0568 | 3301-001569 | BEAD-SMD;600ohm,2012,1000mA,TP,520ohm/90 | 1 | S.N.A | |
| ...4 | T0568 | 3301-001569 | BEAD-SMD;600ohm,2012,1000mA,TP,520ohm/90 | 1 | S.N.A | |
| ...4 | T0568 | 3301-001569 | BEAD-SMD;600ohm,2012,1000mA,TP,520ohm/90 | 1 | S.N.A | |
| ...4 | T0568 | 3301-001569 | BEAD-SMD;600ohm,2012,1000mA,TP,520ohm/90 | 1 | S.N.A | |
| ...4 | T0568 | 3301-001569 | BEAD-SMD;600ohm,2012,1000mA,TP,520ohm/90 | 1 | S.N.A | |
| ...4 | T0568 | 3301-001569 | BEAD-SMD;600ohm,2012,1000mA,TP,520ohm/90 | 1 | S.N.A | |
| ...4 | T0568 | 3301-001569 | BEAD-SMD;600ohm,2012,1000mA,TP,520ohm/90 | 1 | S.N.A | |
| ...4 | T0568 | 3301-001569 | BEAD-SMD;600ohm,2012,1000mA,TP,520ohm/90 | 1 | S.N.A | |
| ...4 | T0568 | 3301-001569 | BEAD-SMD;600ohm,2012,1000mA,TP,520ohm/90 | 1 | S.N.A | |
| ...4 | T0568 | 3301-001569 | BEAD-SMD;600ohm,2012,1000mA,TP,520ohm/90 | 1 | S.N.A | |
| ...4 | T0568 | 3301-001569 | BEAD-SMD;600ohm,2012,1000mA,TP,520ohm/90 | 1 | S.N.A | |

5. Exploded View & Part List

| Level | Location No. | Code No. | Description & Specification | Q'ty | SA/SNA | Remark |
|-------|--------------|-------------|--|------|--------|--------|
|4 | T0568 | 3301-001569 | BEAD-SMD;600ohm,2012,1000mA,TP,520ohm/90 | 1 | S.N.A | |
|4 | T0568 | 3301-001569 | BEAD-SMD;600ohm,2012,1000mA,TP,520ohm/90 | 1 | S.N.A | |
|4 | T0568 | 3301-001569 | BEAD-SMD;600ohm,2012,1000mA,TP,520ohm/90 | 1 | S.N.A | |
|4 | T0568 | 3301-001569 | BEAD-SMD;600ohm,2012,1000mA,TP,520ohm/90 | 1 | S.N.A | |
|4 | T0568 | 3301-001569 | BEAD-SMD;600ohm,2012,1000mA,TP,520ohm/90 | 1 | S.N.A | |
|4 | T0568 | 3301-001569 | BEAD-SMD;600ohm,2012,1000mA,TP,520ohm/90 | 1 | S.N.A | |
|4 | T0568 | 3301-001569 | BEAD-SMD;600ohm,2012,1000mA,TP,520ohm/90 | 1 | S.N.A | |
|4 | T0568 | 3301-001569 | BEAD-SMD;600ohm,2012,1000mA,TP,520ohm/90 | 1 | S.N.A | |
|4 | T0568 | 3301-001569 | BEAD-SMD;600ohm,2012,1000mA,TP,520ohm/90 | 1 | S.N.A | |
|4 | T0568 | 3301-001569 | BEAD-SMD;600ohm,2012,1000mA,TP,520ohm/90 | 1 | S.N.A | |
|4 | T0568 | 3301-001569 | BEAD-SMD;600ohm,2012,1000mA,TP,520ohm/90 | 1 | S.N.A | |
|4 | T0568 | 3301-001569 | BEAD-SMD;600ohm,2012,1000mA,TP,520ohm/90 | 1 | S.N.A | |
|4 | T0568 | 3301-001569 | BEAD-SMD;600ohm,2012,1000mA,TP,520ohm/90 | 1 | S.N.A | |
|4 | T0568 | 3301-001569 | BEAD-SMD;600ohm,2012,1000mA,TP,520ohm/90 | 1 | S.N.A | |
|4 | T0568 | 3301-001569 | BEAD-SMD;600ohm,2012,1000mA,TP,520ohm/90 | 1 | S.N.A | |
|4 | T0568 | 3301-001569 | BEAD-SMD;600ohm,2012,1000mA,TP,520ohm/90 | 1 | S.N.A | |
|4 | T0568 | 3301-001569 | BEAD-SMD;600ohm,2012,1000mA,TP,520ohm/90 | 1 | S.N.A | |
|4 | T0568 | 3301-001569 | BEAD-SMD;600ohm,2012,1000mA,TP,520ohm/90 | 1 | S.N.A | |
|4 | T0568 | 3301-001569 | BEAD-SMD;600ohm,2012,1000mA,TP,520ohm/90 | 1 | S.N.A | |
|4 | T0568 | 3301-001569 | BEAD-SMD;600ohm,2012,1000mA,TP,520ohm/90 | 1 | S.N.A | |
|4 | JA3102 | 3701-001367 | CONNECTOR-HDMI;19P,2R,FEMALE,SMD,AU | 1 | S.A | |
|4 | JA3103 | 3701-001367 | CONNECTOR-HDMI;19P,2R,FEMALE,SMD,AU | 1 | S.A | |
|4 | T0077 | BN41-00974A | PCB MAIN;Amber,FR-4,4,1.0,192*240,1 | 1 | S.N.A | |
|4 | M0018 | BN97-02049A | ASSY MICOM;T-PRLPEUMD,N46A,2007.11.26,11 | 1 | S.N.A | |
|5 | IC115 | 1107-001415 | IC-FLASH MEMORY;29W320D,4Mx8/2Mx16Bit,TS | 1 | S.N.A | |
|4 | M0018 | BN97-02049B | ASSY MICOM;T-PRLPEUS,N46A,2007.11.26,090 | 1 | S.N.A | |
|5 | IC520 | 0903-001552 | IC-MICROCONTROLLER;WT61P8-RG480WT,LQFP,4 | 1 | S.A | |
|4 | M0018 | BN97-02049C | ASSY MICOM;T-PERLDEUC,N46A,2007.11.26,11 | 1 | S.N.A | |
|5 | IC115 | 1107-001415 | IC-FLASH MEMORY;29W320D,4Mx8/2Mx16Bit,TS | 1 | S.N.A | |
|4 | D2107 | 0403-000002 | DIODE-ZENER;VLZ5V6B,5.45/5.73V,500mW,SOD | 1 | S.A | |
|4 | D3115 | 0403-000002 | DIODE-ZENER;VLZ5V6B,5.45/5.73V,500mW,SOD | 1 | S.A | |
|4 | D3125 | 0403-000002 | DIODE-ZENER;VLZ5V6B,5.45/5.73V,500mW,SOD | 1 | S.A | |
|4 | D3126 | 0403-000002 | DIODE-ZENER;VLZ5V6B,5.45/5.73V,500mW,SOD | 1 | S.A | |
|4 | D3129 | 0403-000002 | DIODE-ZENER;VLZ5V6B,5.45/5.73V,500mW,SOD | 1 | S.A | |
|4 | D3132 | 0403-000002 | DIODE-ZENER;VLZ5V6B,5.45/5.73V,500mW,SOD | 1 | S.A | |
|4 | D3134 | 0403-000002 | DIODE-ZENER;VLZ5V6B,5.45/5.73V,500mW,SOD | 1 | S.A | |
|4 | D3137 | 0403-000002 | DIODE-ZENER;VLZ5V6B,5.45/5.73V,500mW,SOD | 1 | S.A | |
|4 | D3148 | 0403-000002 | DIODE-ZENER;VLZ5V6B,5.45/5.73V,500mW,SOD | 1 | S.A | |
|4 | D3186_NSID | 0403-000002 | DIODE-ZENER;VLZ5V6B,5.45/5.73V,500mW,SOD | 1 | S.A | |
|4 | D3205 | 0403-000002 | DIODE-ZENER;VLZ5V6B,5.45/5.73V,500mW,SOD | 1 | S.A | |
|4 | D5103 | 0403-000002 | DIODE-ZENER;VLZ5V6B,5.45/5.73V,500mW,SOD | 1 | S.A | |
|4 | IC104 | 0801-002432 | IC-CMOS LOGIC;74LVC244,8BIT BUFFER/DRIVE | 1 | S.N.A | |
|4 | IC104 | 0801-003239 | IC-CMOS LOGIC;74LVC1G00,2-input NAND Gat | 1 | S.A | |
|4 | IC104 | 0801-003239 | IC-CMOS LOGIC;74LVC1G00,2-input NAND Gat | 1 | S.A | |
|4 | C120 | 2203-007176 | C-CER,CHIP;10000nF,10%,16V,X5R,TP,2012 (| 1 | S.N.A | |
|4 | C120 | 2203-007176 | C-CER,CHIP;10000nF,10%,16V,X5R,TP,2012 (| 1 | S.N.A | |
|4 | C120 | 2203-007176 | C-CER,CHIP;10000nF,10%,16V,X5R,TP,2012 (| 1 | S.N.A | |
|4 | C120 | 2203-007176 | C-CER,CHIP;10000nF,10%,16V,X5R,TP,2012 (| 1 | S.N.A | |
|4 | C120 | 2203-007176 | C-CER,CHIP;10000nF,10%,16V,X5R,TP,2012 (| 1 | S.N.A | |
|4 | C120 | 2203-007176 | C-CER,CHIP;10000nF,10%,16V,X5R,TP,2012 (| 1 | S.N.A | |
|4 | C120 | 2203-007176 | C-CER,CHIP;10000nF,10%,16V,X5R,TP,2012 (| 1 | S.N.A | |
|4 | C120 | 2203-007176 | C-CER,CHIP;10000nF,10%,16V,X5R,TP,2012 (| 1 | S.N.A | |
|4 | C120 | 2203-007176 | C-CER,CHIP;10000nF,10%,16V,X5R,TP,2012 (| 1 | S.N.A | |

5. Exploded View & Part List

| Level | Location No. | Code No. | Description & Specification | Q'ty | SA/SNA | Remark |
|-------|--------------|-------------|--|------|--------|--------|
| ...4 | C120 | 2203-007176 | C-CER,CHIP;10000nF,10%,16V,X5R,TP,2012 (| 1 | S.N.A | |
| ...4 | C120 | 2203-007176 | C-CER,CHIP;10000nF,10%,16V,X5R,TP,2012 (| 1 | S.N.A | |
| ...4 | R110 | 2007-000104 | R-CHIP;150Kohm,5%,1/10W,TP,1608 | 1 | S.A | |
| ...4 | D1211_NCMO | 0402-001098 | DIODE-RECTIFIER;SK34,40V,3A,SMC,TP | 1 | S.A | |
| ...4 | D5101 | 0403-000584 | DIODE-ZENER;VLZ3V6B,3.6/3.845V,500mW,SOD | 1 | S.N.A | |
| ...4 | D3141 | 0403-000771 | DIODE-ZENER;VLZ6V2B,5.96-6.27V,500mW,SOD | 1 | S.A | |
| ...4 | D3156 | 0403-000771 | DIODE-ZENER;VLZ6V2B,5.96-6.27V,500mW,SOD | 1 | S.A | |
| ...4 | D3191 | 0403-000771 | DIODE-ZENER;VLZ6V2B,5.96-6.27V,500mW,SOD | 1 | S.A | |
| ...4 | Q2101 | 0501-000669 | TR-SMALL SIGNAL;KTA1505Y,PNP,150mW,SOT-2 | 1 | S.A | |
| ...4 | Q2103 | 0501-000669 | TR-SMALL SIGNAL;KTA1505Y,PNP,150mW,SOT-2 | 1 | S.A | |
| ...4 | Q3104 | 0501-000669 | TR-SMALL SIGNAL;KTA1505Y,PNP,150mW,SOT-2 | 1 | S.A | |
| ...4 | Q3109 | 0501-000669 | TR-SMALL SIGNAL;KTA1505Y,PNP,150mW,SOT-2 | 1 | S.A | |
| ...4 | IC5104 | 1105-001862 | IC-DDR2 SDRAM;K4T56163QI-ZCF7,DDR2 SDRAM | 1 | S.A | |
| ...4 | IC5106 | 1105-001862 | IC-DDR2 SDRAM;K4T56163QI-ZCF7,DDR2 SDRAM | 1 | S.A | |
| ...4 | IC118 | 1204-002779 | IC-VIDEO PROCESS;S4LF122X01,PBGA,208P,17 | 1 | S.A | |
| ...4 | R110 | 2007-000067 | R-CHIP;15Kohm,1%,1/10W,TP,1608 | 1 | S.A | |
| ...4 | R110 | 2007-000591 | R-CHIP;22ohm,1%,1/10W,TP,1608 | 1 | S.A | |
| ...4 | R110 | 2007-000606 | R-CHIP;240ohm,1%,1/10W,TP,1608 | 1 | S.A | |
| ...4 | R110 | 2007-000763 | R-CHIP;330ohm,1%,1/10W,TP,1608 | 1 | S.A | |
| ...4 | R110 | 2007-000828 | R-CHIP;39Kohm,1%,1/10W,TP,1608 | 1 | S.A | |
| ...4 | R110 | 2007-000999 | R-CHIP;510ohm,1%,1/10W,TP,1608 | 1 | S.A | |
| ...4 | R110 | 2007-007297 | R-CHIP;110ohm,1%,1/10W,TP,1608 | 1 | S.A | |
| ...4 | R110 | 2007-007297 | R-CHIP;110ohm,1%,1/10W,TP,1608 | 1 | S.A | |
| ...4 | C120 | 2203-000257 | C-CER,CHIP;10nF,10%,50V,X7R,TP,1608 | 1 | S.A | |
| ...4 | C120 | 2203-000257 | C-CER,CHIP;10nF,10%,50V,X7R,TP,1608 | 1 | S.A | |
| ...4 | C120 | 2203-002285 | C-CER,CHIP;10nF,10%,50V,X7R,1005 | 1 | S.N.A | |
| ...4 | C120 | 2203-002285 | C-CER,CHIP;10nF,10%,50V,X7R,1005 | 1 | S.N.A | |
| ...4 | C120 | 2203-002285 | C-CER,CHIP;10nF,10%,50V,X7R,1005 | 1 | S.N.A | |
| ...4 | C120 | 2203-002285 | C-CER,CHIP;10nF,10%,50V,X7R,1005 | 1 | S.N.A | |
| ...4 | C120 | 2203-002285 | C-CER,CHIP;10nF,10%,50V,X7R,1005 | 1 | S.N.A | |
| ...4 | C120 | 2203-002285 | C-CER,CHIP;10nF,10%,50V,X7R,1005 | 1 | S.N.A | |
| ...4 | C120 | 2203-002285 | C-CER,CHIP;10nF,10%,50V,X7R,1005 | 1 | S.N.A | |
| ...4 | C120 | 2203-002285 | C-CER,CHIP;10nF,10%,50V,X7R,1005 | 1 | S.N.A | |
| ...4 | C120 | 2203-002285 | C-CER,CHIP;10nF,10%,50V,X7R,1005 | 1 | S.N.A | |
| ...4 | C120 | 2203-002285 | C-CER,CHIP;10nF,10%,50V,X7R,1005 | 1 | S.N.A | |
| ...4 | C120 | 2203-002285 | C-CER,CHIP;10nF,10%,50V,X7R,1005 | 1 | S.N.A | |
| ...4 | C120 | 2203-002285 | C-CER,CHIP;10nF,10%,50V,X7R,1005 | 1 | S.N.A | |
| ...4 | C120 | 2203-002285 | C-CER,CHIP;10nF,10%,50V,X7R,1005 | 1 | S.N.A | |
| ...4 | C120 | 2203-002285 | C-CER,CHIP;10nF,10%,50V,X7R,1005 | 1 | S.N.A | |
| ...4 | C120 | 2203-002285 | C-CER,CHIP;10nF,10%,50V,X7R,1005 | 1 | S.N.A | |
| ...4 | C120 | 2203-002285 | C-CER,CHIP;10nF,10%,50V,X7R,1005 | 1 | S.N.A | |
| ...4 | C120 | 2203-002285 | C-CER,CHIP;10nF,10%,50V,X7R,1005 | 1 | S.N.A | |
| ...4 | C120 | 2203-002285 | C-CER,CHIP;10nF,10%,50V,X7R,1005 | 1 | S.N.A | |
| ...4 | C120 | 2203-002285 | C-CER,CHIP;10nF,10%,50V,X7R,1005 | 1 | S.N.A | |
| ...4 | C120 | 2203-002285 | C-CER,CHIP;10nF,10%,50V,X7R,1005 | 1 | S.N.A | |
| ...4 | C120 | 2203-002285 | C-CER,CHIP;10nF,10%,50V,X7R,1005 | 1 | S.N.A | |
| ...4 | C120 | 2203-002285 | C-CER,CHIP;10nF,10%,50V,X7R,1005 | 1 | S.N.A | |
| ...4 | C120 | 2203-002285 | C-CER,CHIP;10nF,10%,50V,X7R,1005 | 1 | S.N.A | |
| ...4 | C120 | 2203-002285 | C-CER,CHIP;10nF,10%,50V,X7R,1005 | 1 | S.N.A | |
| ...4 | C120 | 2203-002285 | C-CER,CHIP;10nF,10%,50V,X7R,1005 | 1 | S.N.A | |
| ...4 | C120 | 2203-002285 | C-CER,CHIP;10nF,10%,50V,X7R,1005 | 1 | S.N.A | |
| ...4 | C120 | 2203-002285 | C-CER,CHIP;10nF,10%,50V,X7R,1005 | 1 | S.N.A | |
| ...4 | C120 | 2203-002285 | C-CER,CHIP;10nF,10%,50V,X7R,1005 | 1 | S.N.A | |
| ...4 | C120 | 2203-002285 | C-CER,CHIP;10nF,10%,50V,X7R,1005 | 1 | S.N.A | |

5. Exploded View & Part List

| Level | Location No. | Code No. | Description & Specification | Q'ty | SA/SNA | Remark |
|-------|--------------|-------------|--|------|--------|--------|
| ...4 | C120 | 2203-006562 | C-CER,CHIP;1000nF,10%,10V,X5R,1005 | 1 | S.N.A | |
| ...4 | C120 | 2203-006562 | C-CER,CHIP;1000nF,10%,10V,X5R,1005 | 1 | S.N.A | |
| ...4 | C120 | 2203-006562 | C-CER,CHIP;1000nF,10%,10V,X5R,1005 | 1 | S.N.A | |
| ...4 | C120 | 2203-006562 | C-CER,CHIP;1000nF,10%,10V,X5R,1005 | 1 | S.N.A | |
| ...4 | C120 | 2203-006562 | C-CER,CHIP;1000nF,10%,10V,X5R,1005 | 1 | S.N.A | |
| ...4 | C120 | 2203-006562 | C-CER,CHIP;1000nF,10%,10V,X5R,1005 | 1 | S.N.A | |
| ...4 | C120 | 2203-006562 | C-CER,CHIP;1000nF,10%,10V,X5R,1005 | 1 | S.N.A | |
| ...4 | C120 | 2203-006562 | C-CER,CHIP;1000nF,10%,10V,X5R,1005 | 1 | S.N.A | |
| ...4 | C120 | 2203-006562 | C-CER,CHIP;1000nF,10%,10V,X5R,1005 | 1 | S.N.A | |
| ...4 | CN330 | 3711-006374 | HEADER-BOARD TO CABLE;BOX,41P,2R,1.25mm, | 1 | S.A | |
| ...4 | IC012 | 1203-005218 | IC-POSI.ADJUST REG.;AP1086DL,TO-252,3P,6 | 1 | S.A | |
| ...4 | R110 | 2007-000070 | R-CHIP;0ohm,5%,1/10W,TP,1608 | 1 | S.A | |
| ...4 | R110 | 2007-000070 | R-CHIP;0ohm,5%,1/10W,TP,1608 | 1 | S.A | |
| ...4 | R110 | 2007-000070 | R-CHIP;0ohm,5%,1/10W,TP,1608 | 1 | S.A | |
| ...4 | R110 | 2007-000070 | R-CHIP;0ohm,5%,1/10W,TP,1608 | 1 | S.A | |
| ...4 | R110 | 2007-000070 | R-CHIP;0ohm,5%,1/10W,TP,1608 | 1 | S.A | |
| ...4 | R110 | 2007-000074 | R-CHIP;100ohm,5%,1/10W,TP,1608 | 1 | S.A | |
| ...4 | R110 | 2007-007001 | R-CHIP;3.9KOHM,5%,1/16W,TP,1005 | 1 | S.A | |
| ...4 | C120 | 2203-000440 | C-CER,CHIP;1nF,10%,50V,X7R,1608 | 1 | S.A | |
| ...4 | C120 | 2203-000440 | C-CER,CHIP;1nF,10%,50V,X7R,1608 | 1 | S.A | |
| ...4 | C6151_OP | 2402-001259 | C-AL,SMD;220uF,20%,16V,WT,REEL,8X10 | 1 | S.A | |
| ...4 | C2160 | 2402-001273 | C-AL,SMD;220uF,20%,35V,WT,REEL,10X10mm | 1 | S.A | |
| ...4 | CN330 | 3711-005925 | HEADER-BOARD TO CABLE;BOX,51P,1R,0.5mm,S | 1 | S.N.A | |
| ...4 | IC104 | 0801-002633 | IC-CMOS LOGIC;7WBD3125,2bit BUS SWITCH,S | 1 | S.A | |
| ...4 | IC104 | 0801-002633 | IC-CMOS LOGIC;7WBD3125,2bit BUS SWITCH,S | 1 | S.A | |
| ...4 | IC104 | 0801-002633 | IC-CMOS LOGIC;7WBD3125,2bit BUS SWITCH,S | 1 | S.A | |
| ...4 | IC104 | 0801-002633 | IC-CMOS LOGIC;7WBD3125,2bit BUS SWITCH,S | 1 | S.A | |
| ...4 | R110 | 2007-002425 | R-CHIP;1ohm,5%,1/10W,TP,1608 | 1 | S.A | |
| ...4 | R110 | 2007-002425 | R-CHIP;1ohm,5%,1/10W,TP,1608 | 1 | S.A | |
| ...4 | R110 | 2007-002425 | R-CHIP;1ohm,5%,1/10W,TP,1608 | 1 | S.A | |
| ...4 | R110 | 2007-002425 | R-CHIP;1ohm,5%,1/10W,TP,1608 | 1 | S.A | |
| ...4 | R110 | 2007-002425 | R-CHIP;1ohm,5%,1/10W,TP,1608 | 1 | S.A | |
| ...4 | R110 | 2007-002425 | R-CHIP;1ohm,5%,1/10W,TP,1608 | 1 | S.A | |
| ...4 | C1207 | 2402-001238 | C-AL,SMD;1uF,20%,50V,HR,TP,4.3x4.3x5.2mm | 1 | S.A | |
| ...3 | JA333 | 3722-002690 | JACK-PIN;3P,Ni,RED/WHT/YEL,ANGLE | 1 | S.A | |
| ...3 | JA333 | 3722-002691 | JACK-PIN;2P,Ni,WHT/RED,STRAIGHT | 1 | S.A | |
| ...3 | JA333 | 3722-002691 | JACK-PIN;2P,Ni,WHT/RED,STRAIGHT | 1 | S.A | |
| ...3 | JA333 | 3722-002691 | JACK-PIN;2P,Ni,WHT/RED,STRAIGHT | 1 | S.A | |
| ...3 | JA333 | 3722-002703 | JACK-PIN;3P,Ni,GRN/BLU/RED,STRAIGHT | 1 | S.A | |
| ...3 | HDCP | BN97-00688B | ASSY HDCP;MT8202 IC HDCP Key' | 1 | S.N.A | |
| ...4 | | BN46-00018A | KEY CODE-CERTIFICATE;(HDCP KEY)PPM42M5S, | 1 | S.N.A | |
| ...3 | JA3202 | 3722-002681 | JACK-SCART;42P,SN,BLK | 1 | S.A | |
| ...3 | T0245 | 0202-001492 | SOLDER-WIRE FLUX;HSE-02 LFM48 SR-34 S,-, | 1.25 | S.N.A | |
| ...3 | SUB09_MTK | BN73-00024B | SILICON/RUBBER-GAP PAD;POSEIDON,SILICON, | 1 | S.N.A | |
| ...3 | SUB10_FBE | BN73-00176A | SILICON/RUBBER-GAPPAD;EDISON 24,SILICON+ | 1 | S.A | |
| ...3 | T0603 | BN63-04510A | SHIELD-PCB MAIN;PEARL32,EO,TOP,SPTE,T0. | 1 | S.N.A | |
| ...3 | T0603 | BN63-04512A | SHIELD-PCB MAIN;PEARL32,EO,BOT,SPTE T0.3 | 1 | S.N.A | |
| 0.1 | | BN91-02024B | ASSY SHIELD-AAE;LE37A558P3FXXC | 1 | S.N.A | |
| ..2 | M0081 | 6003-000115 | SCREW-TAPTITE;BH,+,B,M3,L6,ZPC(BLK),SWRC | 6 | S.A | |
| ..2 | M0081 | 6003-000115 | SCREW-TAPTITE;BH,+,B,M3,L6,ZPC(BLK),SWRC | 6 | S.A | |

5. Exploded View & Part List

| Level | Location No. | Code No. | Description & Specification | Q'ty | SA/SNA | Remark |
|-------|--------------|-------------|---|------|--------|--------|
| ..2 | M0081 | 6003-000115 | SCREW-TAPTITE;BH,+ ,B,M3,L6,ZPC(BLK),SWRC | 1 | S.A | |
| ..2 | M0081 | 6003-001003 | SCREW-TAPTITE;BH,+ ,B,M4,L12,ZPC(BLK),SWR | 4 | S.N.A | |
| ..2 | M0081 | 6003-001003 | SCREW-TAPTITE;BH,+ ,B,M4,L12,ZPC(BLK),SWR | 3 | S.N.A | |
| ..2 | M0081 | 6003-001024 | SCREW-TAPTITE;RWH,+ ,-,B,M4,L12,ZPC(WHT), | 2 | S.A | |
| ..2 | M0081 | 6003-001188 | SCREW-TAPTITE;BH,+ ,-,B,M4,L10,ZPC(WHT),S | 6 | S.N.A | |
| ..2 | M0081 | 6003-001188 | SCREW-TAPTITE;BH,+ ,-,B,M4,L10,ZPC(WHT),S | 2 | S.N.A | |
| ..2 | M0081 | 6003-001188 | SCREW-TAPTITE;BH,+ ,-,B,M4,L10,ZPC(WHT),S | 2 | S.N.A | |
| ..2 | M0081 | 6003-001188 | SCREW-TAPTITE;BH,+ ,-,B,M4,L10,ZPC(WHT),S | 1 | S.N.A | |
| ..2 | M0081 | 6003-001188 | SCREW-TAPTITE;BH,+ ,-,B,M4,L10,ZPC(WHT),S | 2 | S.N.A | |
| ..2 | M0081 | 6003-001439 | SCREW-TAPTITE;BH,+ ,-,S,M4,L8,ZPC(WHT),SW | 1 | S.N.A | |
| ..2 | M2893 | BH39-00362B | LEAD CONNECTOR;RE32**,UL1007#26,5P,150mm | 1 | S.A | |
| ..2 | M2893 | BN39-00802F | LEAD CONNECTOR;LE46S86BDX,UL1007#26,24PI | 1 | S.A | |
| ..2 | M2893 | BN39-01046A | LEAD CONNECTOR-LVDS;LE37A556P1F,UL1571#3 | 1 | S.A | |
| ..2 | T0764 | BN44-00216A | SMPS-LCDTV;MK37P5T,SEM,AC/DC,171W,AC100 | 1 | S.A | |
| ..2 | M0254 | BN61-02875E | HOLDER-SIDE AV;40F8,EO,HIPS V0,-,-,BK5 | 1 | S.N.A | |
| ..2 | M0115 | BN61-02882A | BRACKET-STAND LINK;TULIP,40,SECC,T1.6,-, | 1 | S.A | |
| ..2 | M0107 | BN63-03039A | SHIELD-COVER;MURANO40,PCM,T0.5,IDTV | 1 | S.N.A | |
| ..2 | M0125 | BN96-04817B | ASSY INLET P;LNT4081FX,XAA,250mm,250mm,- | 1 | S.A | |
| ..2 | T0175 | BN96-06818B | ASSY SPEAKER P;8ohm,CORAL,L450,10W,4pin, | 1 | S.A | |
| ..2 | T0447 | BN96-06880A | ASSY BRACKET P-PANEL;37L550P3,,SECC,,,PE | 1 | S.N.A | |
| ...3 | M0081 | 6003-000115 | SCREW-TAPTITE;BH,+ ,B,M3,L6,ZPC(BLK),SWRC | 6 | S.A | |
| ...3 | M0081 | 6003-000115 | SCREW-TAPTITE;BH,+ ,B,M3,L6,ZPC(BLK),SWRC | 2 | S.A | |
| ...3 | M0131 | AA63-01438A | GASKET;Bordeaux,Conductive Fabric,7mm,8m | 1 | S.N.A | |
| ...3 | | BN61-02980A | BRACKET-GUIDE MAIN;37 BORDEAUX PLUS,SECC | 1 | S.N.A | |
| ...3 | | BN61-03033A | BRACKET-GUIDE POWER;37 BORDEAUX PLUS,SEC | 1 | S.N.A | |
| ...3 | | BN61-03034A | BRACKET-GUIDE POWER;37 BORDEAUX PLUS,SEC | 1 | S.N.A | |
| ...3 | M0146 | BN61-03712A | BRACKET-PANEL TOP;BRACKET-PANEL-TOP 37,S | 1 | S.N.A | |
| ...3 | T0101 | BN61-03841A | BRACKET-WALL;AMBER 37,SECC,T1.2 | 1 | S.N.A | |
| ...3 | M0131 | BN63-03503A | GASKET;JASMINE,Conductive Fabric,25,8,24 | 1 | S.N.A | |
| ...3 | M0131 | BN63-03504A | GASKET;JASMINE,Conductive Fabric,25,8,28 | 1 | S.N.A | |
| ...3 | | BN61-02977B | BRACKET-PANEL BOTTOM;PEARL 37",SECC,T1.2 | 1 | S.N.A | |
| ...3 | M0114 | BN61-02500A | HOLDER-WIRE;NYLON6.6,NATURAL | 2 | S.N.A | |
| ..2 | M2893 | BN39-00886A | LEAD CONNECTOR;LE37M86BDX/XEC,UL1007 #26 | 1 | S.A | |
| ..2 | M0131 | BN63-01259A | GASKET;NA32,CONDUVTIVE FABRIC,13mm,16mm, | 1 | S.N.A | |
| | | | | | | |
| 0.1 | M0003 | BN92-03224A | ASSY BOX;37L530,UO,,, | 1 | S.N.A | |
| ..2 | M0521 | BN69-02293A | BOX-SET,IN;L450-37,CB,C-01,DY-01,AB,W139 | 1 | S.N.A | |
| ..2 | | BN69-02435A | BOX-SET,OUT;L530-37,CB,C-03,DY-01,AB,W99 | 1 | S.N.A | |
| | | | | | | |
| 0.1 | M0113 | BN92-03229A | ASSY P/MATERIAL;37L530,W/W,,, | 1 | S.N.A | |
| ..2 | T0524 | 6902-000524 | BAG PE;HDPE/NITRON,T0.015/T0.5,W1200,L11 | 1 | S.N.A | |
| ..2 | T0214 | AA61-00049B | HOLDER-BOX;DP,AA61-20285A,PP,NTR,V0 | 2 | S.N.A | |
| ..2 | T0214 | BN74-00008A | TAPE-OPP MASKING;OPP-2,T0.05,W100,L800M, | 1.2 | S.N.A | |
| ..2 | T0081 | HA83-00057A | LP-TAPE-CELLULOSE;HA02-030011,T0,046,W7 | 1 | S.N.A | |
| | | | | | | |
| 0.1 | M0045 | BN92-03267E | ASSY ACCESSORY;LE37A558P3FXXC | 1 | S.N.A | |
| ..2 | M0045 | BN96-07178A | ASSY ACCESSORY-MANUAL;LE46A556P1FXXC,N46 | 1 | S.A | |
| ...3 | T0511 | BN68-01409A | MANUAL USERS;COMM,SAMSUNG,8Language,W.Eu | 1 | S.N.A | |
| ...3 | T0210 | AA68-03242K | MANUAL FLYER-01,SAFETY GUIDE;comm,Samsun | 1 | S.N.A | |
| ...3 | | AA68-03575A | MANUAL FLYER-02,REGISTRATION C;XEU,ENG,U | 1 | S.N.A | |
| ...3 | | AA68-03575B | MANUAL FLYER-02,REGISTRATION C;XEG,GERMA | 1 | S.N.A | |

5. Exploded View & Part List

| Level | Location No. | Code No. | Description & Specification | Q'ty | SA/SNA | Remark |
|-------|--------------|-------------|--|------|--------|--------|
| ...3 | | AA68-03575C | MANUAL FLYER-02,REGISTRATION C;XEF,FRENC | 1 | S.N.A | |
| ...3 | | AA68-03575D | MANUAL FLYER-03,REGISTRATION C;XEC,SPANI | 1 | S.N.A | |
| ...3 | | AA68-03575E | MANUAL FLYER-04,REGISTRATION C;XET,ITALY | 1 | S.N.A | |
| ...3 | | AA68-03575F | MANUAL FLYER-02,REGISTRATION C;XEN,DUTCH | 1 | S.N.A | |
| ...3 | | AA68-03575G | MANUAL FLYER-02,REGISTRATION C;XEP,PORTU | 1 | S.N.A | |
| ...3 | | BN68-00514E | MANUAL FLYER-00,WARRANTY CARD;comm,Samsu | 1 | S.N.A | |
| ...3 | T0091 | HA83-00047A | LP-TAPEACETATE;T0.1MM,W20MM,L200MM | 0.05 | S.N.A | |
| ..2 | M0045 | BN96-07178G | ASSY ACCESSORY-CABEL;LE37A558P3FXXC | 1 | S.A | |
| ...3 | T0268 | 3903-000145 | CBF-POWER CORD;DT,EU,FP3/YES,U(IEC C13-R | 1 | S.A | |
| ...3 | T0074 | BN59-00683A | REMOCON;TM-96B,49,EUROPE_DTV-550 | 1 | S.A | |
| ...3 | | BN63-01798A | CLOTH-CLEAN;RE40**,CLOTH,180,200,RHCM | 1 | S.N.A | |
| ...3 | T0531 | BN63-04437A | COVER-BOTTOM;37,40L550,P2,P3,P4,HIPS,-,- | 1 | S.N.A | |
| ...3 | T0091 | HA83-00047A | LP-TAPEACETATE;T0.1MM,W20MM,L200MM | 0.05 | S.N.A | |
| | | | | | | |
| 0.1 | M0019 | BN92-03261E | ASSY LABEL;LE37A557P2FX* | 1 | S.N.A | |

5-8. LE40A55*P Parts List

| Level | Location No. | Code No. | Description & Specification | Q'ty | SA/SNA | Remark |
|-------|--------------|----------------|---|-------|--------|--------|
| | | LE40A559P4FXXC | LE40A559P4F,N46A/40AP4-GPR,40,LCD-TV,SPA | | | |
| 0.1 | M0001 | BN90-01547G | ASSY COVER FRONT;40L530,EO(iDTV),P4 | 1 | S.N.A | |
| ..2 | T0003 | BN96-07431B | ASSY COVER P-FRONT;40L559,P4,EO(iDTV),AB | 1 | S.A | |
| ...3 | M0081 | 6003-001188 | SCREW-TAPTITE;BH,+,-,B,M4,L10,ZPC(WHT),S | 1 | S.N.A | |
| ...3 | M0081 | 6003-001188 | SCREW-TAPTITE;BH,+,-,B,M4,L10,ZPC(WHT),S | 1 | S.N.A | |
| ...3 | M0081 | 6003-001188 | SCREW-TAPTITE;BH,+,-,B,M4,L10,ZPC(WHT),S | 2 | S.N.A | |
| ...3 | CCM1 | BN63-02183E | COVER-SHEET;Rhcm,PE Vinyl,T0.05,750mm,20 | 0.841 | S.N.A | |
| ...3 | M0112 | BN63-04370C | COVER-FRONT;40L550,P2,P3,P4,EO(iDTV),ABS | 1 | S.N.A | |
| ...4 | | BN81-00204P | RESIN-HIGH GLOSS;SF-0505,K21294,ABS HB P | 1.4 | S.N.A | |
| ...3 | T0059 | BN64-00379A | INDICATOR LED;ROME-II,23,PC,CLEAR | 1 | S.N.A | |
| ...3 | T0061 | BN64-00453A | WINDOW-REMOCON;32R71,PC,V0,VIOLET,DIFFUS | 1 | S.N.A | |
| ...3 | T0022 | BN64-00755A | KNOB-CONTROL;32L450,ABS,V0,BK07 | 1 | S.N.A | |
| ...4 | | BH83-00150P | CKD-ABS HB;HF-0680U,K2331 | 0.037 | S.N.A | |
| ...3 | | BN64-00854A | DECORATION-BOTTOM;40-L530,GARNET,PC CLEA | 1 | S.N.A | |
| ...4 | | BN81-00112A | RESIN-C/F;ABS-HB,GR70,HF-0680U,G6757 | 0.215 | S.N.A | |
| ...3 | M0102 | BN96-06798A | ASSY BLU P;Pearl(L550),BACK LIGHT UNIT,M | 1 | S.A | |
| ...3 | | BN96-06932B | ASSY HOLDER P-BOSS;40L530,HIPS,HB,BK500 | 1 | S.N.A | |
| ...4 | | BN61-03888B | HOLDER-BOSS BOTTOM;40L530,HIPS,HB,BK500 | 1 | S.N.A | |
| ...5 | | BN81-00199H | RESIN;HIPS HB,BK500,HF-1690H,K2901 | 205.7 | S.N.A | |
| ...4 | | BN61-03261C | BOSS-TAPE;Tulip,ACRYL,T1.1,W24mm,GRAY,TA | 0.7 | S.N.A | |
| ...3 | M0146 | BN96-07270G | ASSY BOARD P-POWER & IR;LE32A556P1F,CT50 | 1 | S.A | |
| 0.1 | M0216 | BN90-01557A | ASSY STAND;40L530 | 1 | S.N.A | |
| ..2 | T0081 | 6002-001294 | SCREW-TAPPING;BH,+,,M4,L16,ZPC(BLK) | 4 | S.A | |
| ..2 | M0027 | BN96-04754A | ASSY STAND P-BASE;-,,37,40S81,-,ABS+PMMA, | 1 | S.A | |
| ...3 | T0081 | 6002-001294 | SCREW-TAPPING;BH,+,,M4,L16,ZPC(BLK) | 4 | S.A | |
| ...3 | M0081 | 6003-001239 | SCREW-TAPTITE;FH,+,-,B,M4,L10,ZPC(WHT),S | 8 | S.A | |
| ...3 | | BN61-02248A | HOLDER-SWIVEL RING;40R71,ACETAL NATUAL,T | 1 | S.N.A | |
| ...3 | | BN61-02883A | BRACKET-STAND BOTTOM;BORDEAUX PLUS,40,SE | 1 | S.N.A | |
| ...3 | | BN61-02885A | HOLDER-SWIVEL RING;MURANO40,ACETAL NATUR | 1 | S.N.A | |
| ...3 | | BN61-02886A | BRACKET-HINGE SWIVEL;BORDEAUX PLUS,40,SE | 1 | S.N.A | |
| ...3 | T0920 | BN61-02985A | GUIDE-STAND;Jasmine40,ABS V0(NT),-,-,-,- | 1 | S.N.A | |
| ...4 | | BN61-02981A | BRACKET-SUPPORT STAND;40 BORDEAUX PLUS,S | 1 | S.N.A | |
| ...4 | | BN61-03045A | BRACKET-SUPPORT STAND;40 BORDEAUX PLUS,S | 1 | S.N.A | |
| ...4 | | BN81-00204R | RESIN;NT-7200,K2901,ABS V0,BK19,-,-,- | 0.286 | S.N.A | |
| ...3 | CCM1 | BN63-02183E | COVER-SHEET;Rhcm,PE Vinyl,T0.05,750mm,20 | 0.5 | S.N.A | |
| ...3 | T0004 | BN63-03030A | COVER-STAND BASE;40R81,ABS+PMMA,-,-,-,HB | 1 | S.N.A | |
| ...4 | | BN81-00204P | RESIN-HIGH GLOSS;SF-0505,K21294,ABS HB P | 0.653 | S.N.A | |
| ...3 | T0132 | BN73-00052A | RUBBER FOOT;ARES 17,CR Rubber Gray,T1.5 | 4 | S.N.A | |
| 0.1 | M0002 | BN90-01606B | ASSY COVER REAR;40L530,EO(iDTV) | 1 | S.N.A | |
| ..2 | T0081 | 6002-001294 | SCREW-TAPPING;BH,+,,M4,L16,ZPC(BLK) | 1 | S.A | |
| ..2 | T0081 | 6002-001294 | SCREW-TAPPING;BH,+,,M4,L16,ZPC(BLK) | 11 | S.A | |
| ..2 | T0081 | 6002-001294 | SCREW-TAPPING;BH,+,,M4,L16,ZPC(BLK) | 2 | S.A | |
| ..2 | M0013 | BN96-06949B | ASSY COVER P-REAR;40L530,EO(iDTV),HIPS,H | 1 | S.A | |
| ...3 | M0081 | 6003-001188 | SCREW-TAPTITE;BH,+,-,B,M4,L10,ZPC(WHT),S | 2 | S.N.A | |
| ...3 | T0101 | BN61-03348A | BRACKET-WALL;LCD TV 32,SECC T1.2,-,-,-,- | 2 | S.N.A | |
| ...3 | M0006 | BN63-04373B | COVER-REAR;40L530,EO(iDTV),HIPS,HB,BK500 | 1 | S.N.A | |

5. Exploded View & Part List

| Level | Location No. | Code No. | Description & Specification | Q'ty | SA/SNA | Remark |
|-------|--------------|-------------|--|-------|--------|--------|
| ...4 | | BN81-00199H | RESIN;HIPS HB,BK500,HF-1690H,K2901 | 2.571 | S.N.A | |
| ...3 | T0064 | BN65-00002A | CLAMPER CORE;BORDEAUX,LDPE,-,-,BLK,- | 1 | S.N.A | |
| ...3 | T0071 | BN64-00806C | INLAY-TERMINAL;46L550P3,EO(iDTV),PS SHEE | 1 | S.N.A | |
| | | | | | | |
| 0.1 | M0017 | BN91-02016F | ASSY CHASSIS;LE40A557P2FXXC,CMO | 1 | S.N.A | |
| .2 | M0014 | BN94-01656B | ASSY PCB MAIN;LE40A556P1FX,N46A | 1 | S.A | |
| ...3 | T0245 | 0202-001608 | SOLDER-WIRE FLUX;LFC7-107,D0.8,99.3Sn/0. | 1.25 | S.N.A | |
| ...3 | JA3114_NSI | 3701-001388 | CONNECTOR-HDMI;20P,Phosphor Bronze,ANGLE | 1 | S.A | |
| ...3 | JA3208_OP | 3701-001480 | CONNECTOR-DSUB;15P,3R,FEMAIL,STAMPED PIN | 1 | S.A | |
| ...3 | CN906 | 3707-001081 | CONNECTOR-OPTICAL;STRAIGHT,SPDIF | 1 | S.A | |
| ...3 | JA7201 | 3709-001508 | CONNECTOR-CARD SLOT;68P,1.27mm,PIN,PCMC | 1 | S.A | |
| ...3 | CN330 | 3711-000058 | HEADER-BOARD TO CABLE;BOX,4P,1R,2.5MM,AN | 1 | S.A | |
| ...3 | CN330 | 3711-004484 | HEADER-BOARD TO CABLE;BOX,5P,1R,2mm,STRA | 1 | S.A | |
| ...3 | CN330 | 3711-004531 | HEADER-BOARD TO CABLE;BOX,10P,1R,2mm,ANG | 1 | S.A | |
| ...3 | CN330 | 3711-005842 | HEADER-BOARD TO CABLE;BOX,24P,2R,2MM,STR | 1 | S.A | |
| ...3 | JA330 | 3722-000143 | JACK-PHONE;1P(VER),AG,BLK,ANGLE | 1 | S.A | |
| ...3 | JA330 | 3722-001061 | JACK-PHONE;1P,3.6PI,AG,BLK,N | 1 | S.A | |
| ...3 | JA330 | 3722-001061 | JACK-PHONE;1P,3.6PI,AG,BLK,N | 1 | S.A | |
| ...3 | CN3108_NSI | 3722-002275 | JACK-DIN;4P,-,SN,BLK,- | 1 | S.A | |
| ...3 | CN3111_NSI | 3722-002546 | JACK-USB;4P/1C,AU,BLK,ANGLE,A type | 1 | S.N.A | |
| ...3 | JA3202 | 3722-002681 | JACK-SCART;42P,SN,BLK | 1 | S.A | |
| ...3 | JA333 | 3722-002690 | JACK-PIN;3P,Ni,RED/WHT/YEL,ANGLE | 1 | S.A | |
| ...3 | JA333 | 3722-002691 | JACK-PIN;2P,Ni,WHT/RED,STRAIGHT | 1 | S.A | |
| ...3 | JA333 | 3722-002691 | JACK-PIN;2P,Ni,WHT/RED,STRAIGHT | 1 | S.A | |
| ...3 | JA333 | 3722-002691 | JACK-PIN;2P,Ni,WHT/RED,STRAIGHT | 1 | S.A | |
| ...3 | JA333 | 3722-002703 | JACK-PIN;3P,Ni,GRN/BLU/RED,STRAIGHT | 1 | S.A | |
| ...3 | CIS3 | BN40-00120A | TUNER;TDHG6-K10A,TDHG6-K10A,DVB-T,181CH, | 1 | S.A | |
| ...3 | HDCP | BN97-00688B | ASSY HDCP;MT8202 IC HDCP Key' | 1 | S.N.A | |
| ...4 | | BN46-00018A | KEY CODE-CERTIFICATE;(HDCP KEY)PPM42M5S, | 1 | S.N.A | |
| ...3 | T0174 | BN97-02033B | ASSY SMD;LE40A556P1F/*,N46A | 1 | S.N.A | |
| ...4 | SUB05 | 0202-001477 | SOLDER-CREAM;LST309-M,-,D20-45##,96.5Sn/ | 2.999 | S.N.A | |
| ...4 | D1104 | 0401-001056 | DIODE-SWITCHING;MMBD4148SE,100V,200mA,SO | 1 | S.A | |
| ...4 | D3101 | 0401-001056 | DIODE-SWITCHING;MMBD4148SE,100V,200mA,SO | 1 | S.A | |
| ...4 | D3102 | 0401-001056 | DIODE-SWITCHING;MMBD4148SE,100V,200mA,SO | 1 | S.A | |
| ...4 | D3103 | 0401-001056 | DIODE-SWITCHING;MMBD4148SE,100V,200mA,SO | 1 | S.A | |
| ...4 | D3104 | 0401-001056 | DIODE-SWITCHING;MMBD4148SE,100V,200mA,SO | 1 | S.A | |
| ...4 | D3105 | 0401-001056 | DIODE-SWITCHING;MMBD4148SE,100V,200mA,SO | 1 | S.A | |
| ...4 | D3106 | 0401-001056 | DIODE-SWITCHING;MMBD4148SE,100V,200mA,SO | 1 | S.A | |
| ...4 | D3108 | 0401-001056 | DIODE-SWITCHING;MMBD4148SE,100V,200mA,SO | 1 | S.A | |
| ...4 | D3109 | 0401-001056 | DIODE-SWITCHING;MMBD4148SE,100V,200mA,SO | 1 | S.A | |
| ...4 | D3144 | 0401-001056 | DIODE-SWITCHING;MMBD4148SE,100V,200mA,SO | 1 | S.A | |
| ...4 | D3146 | 0401-001056 | DIODE-SWITCHING;MMBD4148SE,100V,200mA,SO | 1 | S.A | |
| ...4 | D3147 | 0401-001056 | DIODE-SWITCHING;MMBD4148SE,100V,200mA,SO | 1 | S.A | |
| ...4 | D3149 | 0401-001056 | DIODE-SWITCHING;MMBD4148SE,100V,200mA,SO | 1 | S.A | |
| ...4 | D3150 | 0401-001056 | DIODE-SWITCHING;MMBD4148SE,100V,200mA,SO | 1 | S.A | |
| ...4 | D3151 | 0401-001056 | DIODE-SWITCHING;MMBD4148SE,100V,200mA,SO | 1 | S.A | |
| ...4 | D3152 | 0401-001056 | DIODE-SWITCHING;MMBD4148SE,100V,200mA,SO | 1 | S.A | |
| ...4 | D3153 | 0401-001056 | DIODE-SWITCHING;MMBD4148SE,100V,200mA,SO | 1 | S.A | |
| ...4 | D3154 | 0401-001056 | DIODE-SWITCHING;MMBD4148SE,100V,200mA,SO | 1 | S.A | |
| ...4 | D3155 | 0401-001056 | DIODE-SWITCHING;MMBD4148SE,100V,200mA,SO | 1 | S.A | |
| ...4 | D3158 | 0401-001056 | DIODE-SWITCHING;MMBD4148SE,100V,200mA,SO | 1 | S.A | |

5. Exploded View & Part List

| Level | Location No. | Code No. | Description & Specification | Q'ty | SA/SNA | Remark |
|-------|--------------|-------------|--|------|--------|--------|
| ...4 | D3159 | 0401-001056 | DIODE-SWITCHING;MMBD4148SE,100V,200mA,SO | 1 | S.A | |
| ...4 | D3161 | 0401-001056 | DIODE-SWITCHING;MMBD4148SE,100V,200mA,SO | 1 | S.A | |
| ...4 | D3162 | 0401-001056 | DIODE-SWITCHING;MMBD4148SE,100V,200mA,SO | 1 | S.A | |
| ...4 | D3163 | 0401-001056 | DIODE-SWITCHING;MMBD4148SE,100V,200mA,SO | 1 | S.A | |
| ...4 | D3165 | 0401-001056 | DIODE-SWITCHING;MMBD4148SE,100V,200mA,SO | 1 | S.A | |
| ...4 | D3166 | 0401-001056 | DIODE-SWITCHING;MMBD4148SE,100V,200mA,SO | 1 | S.A | |
| ...4 | D3168 | 0401-001056 | DIODE-SWITCHING;MMBD4148SE,100V,200mA,SO | 1 | S.A | |
| ...4 | D3170 | 0401-001056 | DIODE-SWITCHING;MMBD4148SE,100V,200mA,SO | 1 | S.A | |
| ...4 | D3173 | 0401-001056 | DIODE-SWITCHING;MMBD4148SE,100V,200mA,SO | 1 | S.A | |
| ...4 | D3195 | 0401-001056 | DIODE-SWITCHING;MMBD4148SE,100V,200mA,SO | 1 | S.A | |
| ...4 | D3196 | 0401-001056 | DIODE-SWITCHING;MMBD4148SE,100V,200mA,SO | 1 | S.A | |
| ...4 | D3197 | 0401-001056 | DIODE-SWITCHING;MMBD4148SE,100V,200mA,SO | 1 | S.A | |
| ...4 | D3198 | 0401-001056 | DIODE-SWITCHING;MMBD4148SE,100V,200mA,SO | 1 | S.A | |
| ...4 | D3200 | 0401-001056 | DIODE-SWITCHING;MMBD4148SE,100V,200mA,SO | 1 | S.A | |
| ...4 | D3201 | 0401-001056 | DIODE-SWITCHING;MMBD4148SE,100V,200mA,SO | 1 | S.A | |
| ...4 | D3202 | 0401-001056 | DIODE-SWITCHING;MMBD4148SE,100V,200mA,SO | 1 | S.A | |
| ...4 | D3203 | 0401-001056 | DIODE-SWITCHING;MMBD4148SE,100V,200mA,SO | 1 | S.A | |
| ...4 | D3204 | 0401-001056 | DIODE-SWITCHING;MMBD4148SE,100V,200mA,SO | 1 | S.A | |
| ...4 | D3206 | 0401-001056 | DIODE-SWITCHING;MMBD4148SE,100V,200mA,SO | 1 | S.A | |
| ...4 | D3207 | 0401-001056 | DIODE-SWITCHING;MMBD4148SE,100V,200mA,SO | 1 | S.A | |
| ...4 | D3254 | 0401-001056 | DIODE-SWITCHING;MMBD4148SE,100V,200mA,SO | 1 | S.A | |
| ...4 | D3255 | 0401-001056 | DIODE-SWITCHING;MMBD4148SE,100V,200mA,SO | 1 | S.A | |
| ...4 | D3256 | 0401-001056 | DIODE-SWITCHING;MMBD4148SE,100V,200mA,SO | 1 | S.A | |
| ...4 | D5501_CEC | 0401-001056 | DIODE-SWITCHING;MMBD4148SE,100V,200mA,SO | 1 | S.A | |
| ...4 | D2105 | 0401-001099 | DIODE-SWITCHING;1N4148WS,75V,150mA,SOD-3 | 1 | S.A | |
| ...4 | D2106 | 0401-001099 | DIODE-SWITCHING;1N4148WS,75V,150mA,SOD-3 | 1 | S.A | |
| ...4 | D2201 | 0401-001099 | DIODE-SWITCHING;1N4148WS,75V,150mA,SOD-3 | 1 | S.A | |
| ...4 | D3118 | 0401-001099 | DIODE-SWITCHING;1N4148WS,75V,150mA,SOD-3 | 1 | S.A | |
| ...4 | D3120 | 0401-001099 | DIODE-SWITCHING;1N4148WS,75V,150mA,SOD-3 | 1 | S.A | |
| ...4 | D3123 | 0401-001099 | DIODE-SWITCHING;1N4148WS,75V,150mA,SOD-3 | 1 | S.A | |
| ...4 | D5104 | 0401-001099 | DIODE-SWITCHING;1N4148WS,75V,150mA,SOD-3 | 1 | S.A | |
| ...4 | D5105 | 0401-001099 | DIODE-SWITCHING;1N4148WS,75V,150mA,SOD-3 | 1 | S.A | |
| ...4 | D5201 | 0401-001099 | DIODE-SWITCHING;1N4148WS,75V,150mA,SOD-3 | 1 | S.A | |
| ...4 | D0254 | 0402-000553 | DIODE-SCHOTTKY;SS24/B240,40V,2000mA,DO-2 | 1 | S.A | |
| ...4 | D0254 | 0402-000553 | DIODE-SCHOTTKY;SS24/B240,40V,2000mA,DO-2 | 1 | S.A | |
| ...4 | D2107 | 0403-000002 | DIODE-ZENER;VLZ5V6B,5.45/5.73V,500mW,SOD | 1 | S.A | |
| ...4 | D3115 | 0403-000002 | DIODE-ZENER;VLZ5V6B,5.45/5.73V,500mW,SOD | 1 | S.A | |
| ...4 | D3125 | 0403-000002 | DIODE-ZENER;VLZ5V6B,5.45/5.73V,500mW,SOD | 1 | S.A | |
| ...4 | D3126 | 0403-000002 | DIODE-ZENER;VLZ5V6B,5.45/5.73V,500mW,SOD | 1 | S.A | |
| ...4 | D3129 | 0403-000002 | DIODE-ZENER;VLZ5V6B,5.45/5.73V,500mW,SOD | 1 | S.A | |
| ...4 | D3132 | 0403-000002 | DIODE-ZENER;VLZ5V6B,5.45/5.73V,500mW,SOD | 1 | S.A | |
| ...4 | D3134 | 0403-000002 | DIODE-ZENER;VLZ5V6B,5.45/5.73V,500mW,SOD | 1 | S.A | |
| ...4 | D3137 | 0403-000002 | DIODE-ZENER;VLZ5V6B,5.45/5.73V,500mW,SOD | 1 | S.A | |
| ...4 | D3148 | 0403-000002 | DIODE-ZENER;VLZ5V6B,5.45/5.73V,500mW,SOD | 1 | S.A | |
| ...4 | D3186_NSID | 0403-000002 | DIODE-ZENER;VLZ5V6B,5.45/5.73V,500mW,SOD | 1 | S.A | |
| ...4 | D3205 | 0403-000002 | DIODE-ZENER;VLZ5V6B,5.45/5.73V,500mW,SOD | 1 | S.A | |
| ...4 | D5103 | 0403-000002 | DIODE-ZENER;VLZ5V6B,5.45/5.73V,500mW,SOD | 1 | S.A | |
| ...4 | D5111 | 0403-000258 | DIODE-ZENER;BZX84C5V6,5.2-6V,225mW,SOT-2 | 1 | S.A | |
| ...4 | D5101 | 0403-000584 | DIODE-ZENER;VLZ3V6B,3.6/3.845V,500mW,SOD | 1 | S.N.A | |
| ...4 | D3141 | 0403-000771 | DIODE-ZENER;VLZ6V2B,5.96-6.27V,500mW,SOD | 1 | S.A | |
| ...4 | D3156 | 0403-000771 | DIODE-ZENER;VLZ6V2B,5.96-6.27V,500mW,SOD | 1 | S.A | |

5. Exploded View & Part List

| Level | Location No. | Code No. | Description & Specification | Q'ty | SA/SNA | Remark |
|-------|--------------|-------------|--|------|--------|--------|
| ...4 | D3191 | 0403-000771 | DIODE-ZENER;VLZ6V2B,5.96-6.27V,500mW,SOD | 1 | S.A | |
| ...4 | D3199 | 0403-001052 | DIODE-ZENER;RD8.2MB,7.7-8.7V,200mW,SOT-2 | 1 | S.A | |
| ...4 | D1111 | 0403-001425 | DIODE-ZENER;BZX84C33,31-35V,350mW,SOT-23 | 1 | S.A | |
| ...4 | D0254 | 0404-001404 | DIODE-SCHOTTKY;BAT721C,40V,200mA,SOT-23, | 1 | S.A | |
| ...4 | D0254 | 0404-001404 | DIODE-SCHOTTKY;BAT721C,40V,200mA,SOT-23, | 1 | S.A | |
| ...4 | D0254 | 0404-001404 | DIODE-SCHOTTKY;BAT721C,40V,200mA,SOT-23, | 1 | S.A | |
| ...4 | D3119 | 0406-001172 | DIODE-TVS;CDS3C30GTH,48/-/50V,SMD | 1 | S.A | |
| ...4 | D3122 | 0406-001172 | DIODE-TVS;CDS3C30GTH,48/-/50V,SMD | 1 | S.A | |
| ...4 | D3138 | 0406-001172 | DIODE-TVS;CDS3C30GTH,48/-/50V,SMD | 1 | S.A | |
| ...4 | D3139 | 0406-001172 | DIODE-TVS;CDS3C30GTH,48/-/50V,SMD | 1 | S.A | |
| ...4 | D3179 | 0406-001172 | DIODE-TVS;CDS3C30GTH,48/-/50V,SMD | 1 | S.A | |
| ...4 | D3180 | 0406-001172 | DIODE-TVS;CDS3C30GTH,48/-/50V,SMD | 1 | S.A | |
| ...4 | D3182_NSID | 0406-001172 | DIODE-TVS;CDS3C30GTH,48/-/50V,SMD | 1 | S.A | |
| ...4 | D3183_NSID | 0406-001172 | DIODE-TVS;CDS3C30GTH,48/-/50V,SMD | 1 | S.A | |
| ...4 | D3184_NSID | 0406-001172 | DIODE-TVS;CDS3C30GTH,48/-/50V,SMD | 1 | S.A | |
| ...4 | D3185_NSID | 0406-001172 | DIODE-TVS;CDS3C30GTH,48/-/50V,SMD | 1 | S.A | |
| ...4 | D3188_NSID | 0406-001172 | DIODE-TVS;CDS3C30GTH,48/-/50V,SMD | 1 | S.A | |
| ...4 | D3189_NSID | 0406-001172 | DIODE-TVS;CDS3C30GTH,48/-/50V,SMD | 1 | S.A | |
| ...4 | D3190_NSID | 0406-001172 | DIODE-TVS;CDS3C30GTH,48/-/50V,SMD | 1 | S.A | |
| ...4 | D3251 | 0406-001172 | DIODE-TVS;CDS3C30GTH,48/-/50V,SMD | 1 | S.A | |
| ...4 | D3252 | 0406-001172 | DIODE-TVS;CDS3C30GTH,48/-/50V,SMD | 1 | S.A | |
| ...4 | D3208 | 0406-001181 | DIODE-TVS;NUP4201MR6,6/-/V,500W,TSOP-6 | 1 | S.A | |
| ...4 | D2104 | 0407-000123 | DIODE-ARRAY;DAN202K,80V,100mA,CA2-3,SOT- | 1 | S.A | |
| ...4 | D2108 | 0407-000123 | DIODE-ARRAY;DAN202K,80V,100mA,CA2-3,SOT- | 1 | S.A | |
| ...4 | D2110 | 0407-000123 | DIODE-ARRAY;DAN202K,80V,100mA,CA2-3,SOT- | 1 | S.A | |
| ...4 | D7201 | 0407-000123 | DIODE-ARRAY;DAN202K,80V,100mA,CA2-3,SOT- | 1 | S.A | |
| ...4 | D7202 | 0407-000123 | DIODE-ARRAY;DAN202K,80V,100mA,CA2-3,SOT- | 1 | S.A | |
| ...4 | D7203 | 0407-000123 | DIODE-ARRAY;DAN202K,80V,100mA,CA2-3,SOT- | 1 | S.A | |
| ...4 | D7204 | 0407-000123 | DIODE-ARRAY;DAN202K,80V,100mA,CA2-3,SOT- | 1 | S.A | |
| ...4 | D7205 | 0407-000123 | DIODE-ARRAY;DAN202K,80V,100mA,CA2-3,SOT- | 1 | S.A | |
| ...4 | D7206 | 0407-000123 | DIODE-ARRAY;DAN202K,80V,100mA,CA2-3,SOT- | 1 | S.A | |
| ...4 | Q7001 | 0501-000002 | TR-SMALL SIGNAL;KSA812,PNP,150MW,SOT-23, | 1 | S.A | |
| ...4 | Q7002 | 0501-000002 | TR-SMALL SIGNAL;KSA812,PNP,150MW,SOT-23, | 1 | S.A | |
| ...4 | Q5201 | 0501-000434 | TR-SMALL SIGNAL;KTC3875S-GR,NPN,150mW,SO | 1 | S.A | |
| ...4 | Q7402 | 0501-000434 | TR-SMALL SIGNAL;KTC3875S-GR,NPN,150mW,SO | 1 | S.A | |
| ...4 | Q1104 | 0501-000445 | TR-SMALL SIGNAL;KTC3875S-Y,NPN,150mW,SOT | 1 | S.A | |
| ...4 | Q1111 | 0501-000445 | TR-SMALL SIGNAL;KTC3875S-Y,NPN,150mW,SOT | 1 | S.A | |
| ...4 | Q2102 | 0501-000445 | TR-SMALL SIGNAL;KTC3875S-Y,NPN,150mW,SOT | 1 | S.A | |
| ...4 | Q3101 | 0501-000445 | TR-SMALL SIGNAL;KTC3875S-Y,NPN,150mW,SOT | 1 | S.A | |
| ...4 | Q3102 | 0501-000445 | TR-SMALL SIGNAL;KTC3875S-Y,NPN,150mW,SOT | 1 | S.A | |
| ...4 | Q3106 | 0501-000445 | TR-SMALL SIGNAL;KTC3875S-Y,NPN,150mW,SOT | 1 | S.A | |
| ...4 | Q3107 | 0501-000445 | TR-SMALL SIGNAL;KTC3875S-Y,NPN,150mW,SOT | 1 | S.A | |
| ...4 | Q3111 | 0501-000445 | TR-SMALL SIGNAL;KTC3875S-Y,NPN,150mW,SOT | 1 | S.A | |
| ...4 | Q3112 | 0501-000445 | TR-SMALL SIGNAL;KTC3875S-Y,NPN,150mW,SOT | 1 | S.A | |
| ...4 | Q3113 | 0501-000445 | TR-SMALL SIGNAL;KTC3875S-Y,NPN,150mW,SOT | 1 | S.A | |
| ...4 | Q3114 | 0501-000445 | TR-SMALL SIGNAL;KTC3875S-Y,NPN,150mW,SOT | 1 | S.A | |
| ...4 | Q3151_NPN | 0501-000445 | TR-SMALL SIGNAL;KTC3875S-Y,NPN,150mW,SOT | 1 | S.A | |
| ...4 | Q3152_NPN | 0501-000445 | TR-SMALL SIGNAL;KTC3875S-Y,NPN,150mW,SOT | 1 | S.A | |
| ...4 | Q5104 | 0501-000445 | TR-SMALL SIGNAL;KTC3875S-Y,NPN,150mW,SOT | 1 | S.A | |
| ...4 | Q5108 | 0501-000445 | TR-SMALL SIGNAL;KTC3875S-Y,NPN,150mW,SOT | 1 | S.A | |
| ...4 | Q5109 | 0501-000445 | TR-SMALL SIGNAL;KTC3875S-Y,NPN,150mW,SOT | 1 | S.A | |

5. Exploded View & Part List

| Level | Location No. | Code No. | Description & Specification | Q'ty | SA/SNA | Remark |
|-------|--------------|-------------|--|------|--------|--------|
|4 | Q5202 | 0501-000445 | TR-SMALL SIGNAL;KTC3875S-Y,NPN,150mW,SOT | 1 | S.A | |
|4 | Q6101_DIM | 0501-000445 | TR-SMALL SIGNAL;KTC3875S-Y,NPN,150mW,SOT | 1 | S.A | |
|4 | Q2101 | 0501-000669 | TR-SMALL SIGNAL;KTA1505Y,PNP,150mW,SOT-2 | 1 | S.A | |
|4 | Q2103 | 0501-000669 | TR-SMALL SIGNAL;KTA1505Y,PNP,150mW,SOT-2 | 1 | S.A | |
|4 | Q3104 | 0501-000669 | TR-SMALL SIGNAL;KTA1505Y,PNP,150mW,SOT-2 | 1 | S.A | |
|4 | Q3109 | 0501-000669 | TR-SMALL SIGNAL;KTA1505Y,PNP,150mW,SOT-2 | 1 | S.A | |
|4 | Q1101_L | 0501-002080 | TR-SMALL SIGNAL;2SC2412K,NPN,200mW,SC-59 | 1 | S.A | |
|4 | Q1102_50HZ | 0501-002080 | TR-SMALL SIGNAL;2SC2412K,NPN,200mW,SC-59 | 1 | S.A | |
|4 | Q3103 | 0501-002080 | TR-SMALL SIGNAL;2SC2412K,NPN,200mW,SC-59 | 1 | S.A | |
|4 | Q3105 | 0501-002080 | TR-SMALL SIGNAL;2SC2412K,NPN,200mW,SC-59 | 1 | S.A | |
|4 | Q3108 | 0501-002080 | TR-SMALL SIGNAL;2SC2412K,NPN,200mW,SC-59 | 1 | S.A | |
|4 | Q3110 | 0501-002080 | TR-SMALL SIGNAL;2SC2412K,NPN,200mW,SC-59 | 1 | S.A | |
|4 | Q3153_NPN | 0501-002080 | TR-SMALL SIGNAL;2SC2412K,NPN,200mW,SC-59 | 1 | S.A | |
|4 | Q3116 | 0501-002184 | TR-SMALL SIGNAL;KTD1304,NPN,200mW,SOT-23 | 1 | S.A | |
|4 | Q3117 | 0501-002184 | TR-SMALL SIGNAL;KTD1304,NPN,200mW,SOT-23 | 1 | S.A | |
|4 | Q409 | 0505-000110 | FET-SILICON;2N7002,N,60V,115mA,7.5ohm,0. | 1 | S.A | |
|4 | Q409 | 0505-000110 | FET-SILICON;2N7002,N,60V,115mA,7.5ohm,0. | 1 | S.A | |
|4 | Q409 | 0505-000110 | FET-SILICON;2N7002,N,60V,115mA,7.5ohm,0. | 1 | S.A | |
|4 | Q409 | 0505-000110 | FET-SILICON;2N7002,N,60V,115mA,7.5ohm,0. | 1 | S.A | |
|4 | Q409 | 0505-000110 | FET-SILICON;2N7002,N,60V,115mA,7.5ohm,0. | 1 | S.A | |
|4 | Q409 | 0505-001170 | FET-SILICON;SI9933ADY-T1,P,-20V,3.4A,0.0 | 1 | S.A | |
|4 | IC104 | 0801-002095 | IC-CMOS LOGIC;74LCX245,TRANSCEIVER,TSSOP | 1 | S.A | |
|4 | IC104 | 0801-002172 | IC-CMOS LOGIC;74LCX16244,BUFFER/LINE DRI | 1 | S.A | |
|4 | IC104 | 0801-002172 | IC-CMOS LOGIC;74LCX16244,BUFFER/LINE DRI | 1 | S.A | |
|4 | IC104 | 0801-002172 | IC-CMOS LOGIC;74LCX16244,BUFFER/LINE DRI | 1 | S.A | |
|4 | IC104 | 0801-002432 | IC-CMOS LOGIC;74LVC244,8BIT BUFFER/DRIVE | 1 | S.N.A | |
|4 | IC104 | 0801-002630 | IC-CMOS LOGIC;74AHCT1G08,2-INPUT AND GAT | 1 | S.A | |
|4 | IC104 | 0801-003239 | IC-CMOS LOGIC;74LVC1G00,2-input NAND Gat | 1 | S.A | |
|4 | IC104 | 0801-003239 | IC-CMOS LOGIC;74LVC1G00,2-input NAND Gat | 1 | S.A | |
|4 | IC5110 | 1001-000164 | IC-ANALOG MULTIPLEX;74HC4052,CMOS,SOP,16 | 1 | S.A | |
|4 | IC106 | 1001-001513 | IC-VIDEO SWITCH;TMDS351PAG,TQFP,64P,9x9m | 1 | S.A | |
|4 | IC5108 | 1001-001523 | IC-ANALOG MULTIPLEX;74HC4052PW,TSSOP,16P | 1 | S.A | |
|4 | IC107 | 1002-001482 | IC-D/A CONVERTER;WM8521H9GED/R,16bit,SOI | 1 | S.A | |
|4 | IC2102 | 1002-001509 | IC-A/D&D/A CONVERTER;MT8291,24bit,LQFP,4 | 1 | S.A | |
|4 | IC110 | 1006-001076 | IC-DRIVER/RECEIVER;MAX232ECWE+T,SOP,16P, | 1 | S.A | |
|4 | IC112 | 1103-000129 | IC-EEPROM;24C02,2Kbit,256x8Bit,SOP,8P,5x | 1 | S.A | |
|4 | IC112 | 1103-000129 | IC-EEPROM;24C02,2Kbit,256x8Bit,SOP,8P,5x | 1 | S.A | |
|4 | IC112 | 1103-000129 | IC-EEPROM;24C02,2Kbit,256x8Bit,SOP,8P,5x | 1 | S.A | |
|4 | IC112 | 1103-000129 | IC-EEPROM;24C02,2Kbit,256x8Bit,SOP,8P,5x | 1 | S.A | |
|4 | IC112 | 1103-001385 | IC-EEPROM;AT24C256,256Kbit,32Kx8,SOP,8P, | 1 | S.A | |
|4 | IC112 | 1103-001410 | IC-EEPROM;S-24CS08AFJ-TB-1GE,8Kbit,1Kx8, | 1 | S.A | |
|4 | IC113 | 1105-001712 | IC-DRAM;HYB25D256163CE,DDR,256Mbit,16Mx1 | 1 | S.A | |
|4 | IC5104 | 1105-001862 | IC-DDR2 SDRAM;K4T56163QI-ZCF7,DDR2 SDRAM | 1 | S.A | |
|4 | IC5106 | 1105-001862 | IC-DDR2 SDRAM;K4T56163QI-ZCF7,DDR2 SDRAM | 1 | S.A | |
|4 | DU410 | 1201-000166 | IC-OP AMP;LM358,SOP,ST,8P,150MIL,DUAL,10 | 1 | S.A | |
|4 | T0124 | 1201-002677 | IC-POWER AMP;NTP3100,QFN56,56P,8x8mm,DUA | 1 | S.A | |
|4 | T0087 | 1203-001815 | IC-POSI.FIXED REG.;78M09,TO-252,3P,-,PLA | 1 | S.A | |
|4 | T0087 | 1203-002842 | IC-POSI.FIXED REG.;AP1117D-33A,TO-252,3P | 1 | S.A | |
|4 | T0087 | 1203-002974 | IC-POSI.FIXED REG.;AP1117D-25A,TO-252,3P | 1 | S.A | |
|4 | IC012 | 1203-002995 | IC-POSI.ADJUST REG.;AP1117D-A,TO-252,3P, | 1 | S.A | |
|4 | IC012 | 1203-002995 | IC-POSI.ADJUST REG.;AP1117D-A,TO-252,3P, | 1 | S.A | |

5. Exploded View & Part List

| Level | Location No. | Code No. | Description & Specification | Q'ty | SA/SNA | Remark |
|-------|--------------|-------------|--|------|--------|--------|
| ...4 | IC3104 | 1203-003394 | IC-POWER SUPERVISOR;MIC2544-1YM,SOP,8P,4 | 1 | S.A | |
| ...4 | IC7206 | 1203-003394 | IC-POWER SUPERVISOR;MIC2544-1YM,SOP,8P,4 | 1 | S.A | |
| ...4 | T0087 | 1203-003696 | IC-POSI.FIXED REG.;NCP1117DT18T5G,DPAK,3 | 1 | S.A | |
| ...4 | T0087 | 1203-003696 | IC-POSI.FIXED REG.;NCP1117DT18T5G,DPAK,3 | 1 | S.A | |
| ...4 | IC5102 | 1203-004363 | IC-VOL. DETECTOR;RT9818C-29PV,SOT-23,3P, | 1 | S.A | |
| ...4 | IC2103 | 1203-004364 | IC-VOL. DETECTOR;RT9818C-42PV,SOT-23,3P, | 1 | S.A | |
| ...4 | IC7402 | 1203-004364 | IC-VOL. DETECTOR;RT9818C-42PV,SOT-23,3P, | 1 | S.A | |
| ...4 | T0087 | 1203-004816 | IC-POSI.FIXED REG.;KIA78D015F,DPAK,3P,6. | 1 | S.A | |
| ...4 | T0170 | 1203-004868 | IC-SWITCH VOL. REG.;MP2363,SOIC,8P,4.9x3 | 1 | S.A | |
| ...4 | T0170 | 1203-004868 | IC-SWITCH VOL. REG.;MP2363,SOIC,8P,4.9x3 | 1 | S.A | |
| ...4 | IC012 | 1203-005218 | IC-POSI.ADJUST REG.;AP1086DL,TO-252,3P,6 | 1 | S.A | |
| ...4 | IC118 | 1204-002779 | IC-VIDEO PROCESS;S4LF122X01,PBGA,208P,17 | 1 | S.A | |
| ...4 | IC7001 | 1204-002861 | IC-DECODER;UPD61211GM-104-GAA-A,QFP,216P | 1 | S.A | |
| ...4 | IC118 | 1204-002869 | IC-VIDEO PROCESS;MT8226FJ,BGA,569P,31x31 | 1 | S.A | |
| ...4 | D3107 | 1405-001185 | VARISTOR;24Vdc,1.6x0.8x0.36mm,TP | 1 | S.A | |
| ...4 | D3110 | 1405-001185 | VARISTOR;24Vdc,1.6x0.8x0.36mm,TP | 1 | S.A | |
| ...4 | D3113 | 1405-001185 | VARISTOR;24Vdc,1.6x0.8x0.36mm,TP | 1 | S.A | |
| ...4 | D5502 | 1405-001185 | VARISTOR;24Vdc,1.6x0.8x0.36mm,TP | 1 | S.A | |
| ...4 | R110 | 2007-000029 | R-CHIP;0ohm,5%,1/8W,TP,2012 | 1 | S.A | |
| ...4 | R110 | 2007-000029 | R-CHIP;0ohm,5%,1/8W,TP,2012 | 1 | S.A | |
| ...4 | R110 | 2007-000040 | R-CHIP;150ohm,1%,1/10W,TP,1608 | 1 | S.A | |
| ...4 | R110 | 2007-000052 | R-CHIP;10Kohm,1%,1/10W,TP,1608 | 1 | S.A | |
| ...4 | R110 | 2007-000052 | R-CHIP;10Kohm,1%,1/10W,TP,1608 | 1 | S.A | |
| ...4 | R110 | 2007-000052 | R-CHIP;10Kohm,1%,1/10W,TP,1608 | 1 | S.A | |
| ...4 | R110 | 2007-000052 | R-CHIP;10Kohm,1%,1/10W,TP,1608 | 1 | S.A | |
| ...4 | R110 | 2007-000052 | R-CHIP;10Kohm,1%,1/10W,TP,1608 | 1 | S.A | |
| ...4 | R110 | 2007-000052 | R-CHIP;10Kohm,1%,1/10W,TP,1608 | 1 | S.A | |
| ...4 | R110 | 2007-000052 | R-CHIP;10Kohm,1%,1/10W,TP,1608 | 1 | S.A | |
| ...4 | R110 | 2007-000052 | R-CHIP;10Kohm,1%,1/10W,TP,1608 | 1 | S.A | |
| ...4 | R110 | 2007-000052 | R-CHIP;10Kohm,1%,1/10W,TP,1608 | 1 | S.A | |
| ...4 | R110 | 2007-000052 | R-CHIP;10Kohm,1%,1/10W,TP,1608 | 1 | S.A | |
| ...4 | R110 | 2007-000052 | R-CHIP;10Kohm,1%,1/10W,TP,1608 | 1 | S.A | |
| ...4 | R110 | 2007-000052 | R-CHIP;10Kohm,1%,1/10W,TP,1608 | 1 | S.A | |
| ...4 | R110 | 2007-000052 | R-CHIP;10Kohm,1%,1/10W,TP,1608 | 1 | S.A | |
| ...4 | R110 | 2007-000067 | R-CHIP;15Kohm,1%,1/10W,TP,1608 | 1 | S.A | |
| ...4 | R110 | 2007-000074 | R-CHIP;100ohm,5%,1/10W,TP,1608 | 1 | S.A | |
| ...4 | R110 | 2007-000074 | R-CHIP;100ohm,5%,1/10W,TP,1608 | 1 | S.A | |
| ...4 | R110 | 2007-000074 | R-CHIP;100ohm,5%,1/10W,TP,1608 | 1 | S.A | |
| ...4 | R110 | 2007-000074 | R-CHIP;100ohm,5%,1/10W,TP,1608 | 1 | S.A | |
| ...4 | R110 | 2007-000074 | R-CHIP;100ohm,5%,1/10W,TP,1608 | 1 | S.A | |
| ...4 | R110 | 2007-000074 | R-CHIP;100ohm,5%,1/10W,TP,1608 | 1 | S.A | |
| ...4 | R110 | 2007-000074 | R-CHIP;100ohm,5%,1/10W,TP,1608 | 1 | S.A | |
| ...4 | R110 | 2007-000074 | R-CHIP;100ohm,5%,1/10W,TP,1608 | 1 | S.A | |
| ...4 | R110 | 2007-000078 | R-CHIP;1Kohm,5%,1/10W,TP,1608 | 1 | S.A | |
| ...4 | R110 | 2007-000078 | R-CHIP;1Kohm,5%,1/10W,TP,1608 | 1 | S.A | |
| ...4 | R110 | 2007-000078 | R-CHIP;1Kohm,5%,1/10W,TP,1608 | 1 | S.A | |
| ...4 | R110 | 2007-000078 | R-CHIP;1Kohm,5%,1/10W,TP,1608 | 1 | S.A | |
| ...4 | R110 | 2007-000078 | R-CHIP;1Kohm,5%,1/10W,TP,1608 | 1 | S.A | |
| ...4 | R110 | 2007-000078 | R-CHIP;1Kohm,5%,1/10W,TP,1608 | 1 | S.A | |
| ...4 | R110 | 2007-000078 | R-CHIP;1Kohm,5%,1/10W,TP,1608 | 1 | S.A | |
| ...4 | R110 | 2007-000078 | R-CHIP;1Kohm,5%,1/10W,TP,1608 | 1 | S.A | |
| ...4 | R110 | 2007-000078 | R-CHIP;1Kohm,5%,1/10W,TP,1608 | 1 | S.A | |
| ...4 | R110 | 2007-000078 | R-CHIP;1Kohm,5%,1/10W,TP,1608 | 1 | S.A | |
| ...4 | R110 | 2007-000078 | R-CHIP;1Kohm,5%,1/10W,TP,1608 | 1 | S.A | |
| ...4 | R110 | 2007-000078 | R-CHIP;1Kohm,5%,1/10W,TP,1608 | 1 | S.A | |

5. Exploded View & Part List

| Level | Location No. | Code No. | Description & Specification | Q'ty | SA/SNA | Remark |
|-------|--------------|-------------|--|------|--------|--------|
| ...4 | R110 | 2007-001292 | R-CHIP;33ohm,5%,1/16W,TP,1005 | 1 | S.N.A | |
| ...4 | R110 | 2007-001292 | R-CHIP;33ohm,5%,1/16W,TP,1005 | 1 | S.N.A | |
| ...4 | R110 | 2007-001292 | R-CHIP;33ohm,5%,1/16W,TP,1005 | 1 | S.N.A | |
| ...4 | R110 | 2007-001292 | R-CHIP;33ohm,5%,1/16W,TP,1005 | 1 | S.N.A | |
| ...4 | R110 | 2007-001292 | R-CHIP;33ohm,5%,1/16W,TP,1005 | 1 | S.N.A | |
| ...4 | R110 | 2007-001292 | R-CHIP;33ohm,5%,1/16W,TP,1005 | 1 | S.N.A | |
| ...4 | R110 | 2007-001292 | R-CHIP;33ohm,5%,1/16W,TP,1005 | 1 | S.N.A | |
| ...4 | R110 | 2007-001292 | R-CHIP;33ohm,5%,1/16W,TP,1005 | 1 | S.N.A | |
| ...4 | R110 | 2007-001292 | R-CHIP;33ohm,5%,1/16W,TP,1005 | 1 | S.N.A | |
| ...4 | R110 | 2007-001292 | R-CHIP;33ohm,5%,1/16W,TP,1005 | 1 | S.N.A | |
| ...4 | R110 | 2007-001292 | R-CHIP;33ohm,5%,1/16W,TP,1005 | 1 | S.N.A | |
| ...4 | R110 | 2007-001292 | R-CHIP;33ohm,5%,1/16W,TP,1005 | 1 | S.N.A | |
| ...4 | R110 | 2007-001292 | R-CHIP;33ohm,5%,1/16W,TP,1005 | 1 | S.N.A | |
| ...4 | R110 | 2007-001292 | R-CHIP;33ohm,5%,1/16W,TP,1005 | 1 | S.N.A | |
| ...4 | R110 | 2007-001292 | R-CHIP;33ohm,5%,1/16W,TP,1005 | 1 | S.N.A | |
| ...4 | R110 | 2007-001292 | R-CHIP;33ohm,5%,1/16W,TP,1005 | 1 | S.N.A | |
| ...4 | R110 | 2007-001292 | R-CHIP;33ohm,5%,1/16W,TP,1005 | 1 | S.N.A | |
| ...4 | R110 | 2007-001292 | R-CHIP;33ohm,5%,1/16W,TP,1005 | 1 | S.N.A | |
| ...4 | R110 | 2007-001292 | R-CHIP;33ohm,5%,1/16W,TP,1005 | 1 | S.N.A | |
| ...4 | R110 | 2007-001292 | R-CHIP;33ohm,5%,1/16W,TP,1005 | 1 | S.N.A | |
| ...4 | R110 | 2007-001292 | R-CHIP;33ohm,5%,1/16W,TP,1005 | 1 | S.N.A | |
| ...4 | R110 | 2007-001292 | R-CHIP;33ohm,5%,1/16W,TP,1005 | 1 | S.N.A | |
| ...4 | R110 | 2007-001292 | R-CHIP;33ohm,5%,1/16W,TP,1005 | 1 | S.N.A | |
| ...4 | R110 | 2007-001313 | R-CHIP;330ohm,5%,1/16W,TP,1005 | 1 | S.N.A | |
| ...4 | R110 | 2007-001313 | R-CHIP;330ohm,5%,1/16W,TP,1005 | 1 | S.N.A | |
| ...4 | R110 | 2007-001313 | R-CHIP;330ohm,5%,1/16W,TP,1005 | 1 | S.N.A | |
| ...4 | R110 | 2007-001313 | R-CHIP;330ohm,5%,1/16W,TP,1005 | 1 | S.N.A | |
| ...4 | R110 | 2007-001325 | R-CHIP;3.3Kohm,5%,1/16W,TP,1005 | 1 | S.N.A | |
| ...4 | R110 | 2007-001325 | R-CHIP;3.3Kohm,5%,1/16W,TP,1005 | 1 | S.N.A | |
| ...4 | R110 | 2007-001325 | R-CHIP;3.3Kohm,5%,1/16W,TP,1005 | 1 | S.N.A | |
| ...4 | R110 | 2007-001325 | R-CHIP;3.3Kohm,5%,1/16W,TP,1005 | 1 | S.N.A | |
| ...4 | R110 | 2007-007096 | R-CHIP;160ohm,5%,1/16W,TP,1005 | 1 | S.N.A | |
| ...4 | R110 | 2007-007226 | R-CHIP;49.9ohm,1%,1/10W,TP,1608 | 1 | S.A | |
| ...4 | R110 | 2007-007297 | R-CHIP;110ohm,1%,1/10W,TP,1608 | 1 | S.A | |
| ...4 | R110 | 2007-007297 | R-CHIP;110ohm,1%,1/10W,TP,1608 | 1 | S.A | |
| ...4 | R110 | 2007-007306 | R-CHIP;100ohm,1%,1/16W,TP,1005 | 1 | S.N.A | |
| ...4 | R110 | 2007-007306 | R-CHIP;100ohm,1%,1/16W,TP,1005 | 1 | S.N.A | |
| ...4 | R110 | 2007-007306 | R-CHIP;100ohm,1%,1/16W,TP,1005 | 1 | S.N.A | |
| ...4 | R110 | 2007-007306 | R-CHIP;100ohm,1%,1/16W,TP,1005 | 1 | S.N.A | |
| ...4 | R110 | 2007-007306 | R-CHIP;100ohm,1%,1/16W,TP,1005 | 1 | S.N.A | |
| ...4 | R110 | 2007-007306 | R-CHIP;100ohm,1%,1/16W,TP,1005 | 1 | S.N.A | |
| ...4 | R110 | 2007-007306 | R-CHIP;100ohm,1%,1/16W,TP,1005 | 1 | S.N.A | |
| ...4 | R110 | 2007-007306 | R-CHIP;100ohm,1%,1/16W,TP,1005 | 1 | S.N.A | |
| ...4 | R110 | 2007-007318 | R-CHIP;1Kohm,1%,1/16W,TP,1005 | 1 | S.N.A | |
| ...4 | R110 | 2007-007318 | R-CHIP;1Kohm,1%,1/16W,TP,1005 | 1 | S.N.A | |
| ...4 | R110 | 2007-007318 | R-CHIP;1Kohm,1%,1/16W,TP,1005 | 1 | S.N.A | |
| ...4 | R110 | 2007-007698 | R-CHIP;5.1KOHM,1%,1/16W,TP,1005 | 1 | S.N.A | |
| ...4 | R110 | 2007-007723 | R-CHIP;75Kohm,1%,1/10W,TP,1608 | 1 | S.A | |
| ...4 | RA5104 | 2011-000585 | R-NETWORK;47ohm,5%,1/16W,L,CHIP,8P,TP,3. | 1 | S.A | |

5. Exploded View & Part List

| Level | Location No. | Code No. | Description & Specification | Q'ty | SA/SNA | Remark |
|-------|--------------|-------------|--|------|--------|--------|
| ...4 | RA5105 | 2011-000585 | R-NETWORK;47ohm,5%,1/16W,L,CHIP,8P,TP,3. | 1 | S.A | |
| ...4 | RA5106 | 2011-000585 | R-NETWORK;47ohm,5%,1/16W,L,CHIP,8P,TP,3. | 1 | S.A | |
| ...4 | RA5107 | 2011-000585 | R-NETWORK;47ohm,5%,1/16W,L,CHIP,8P,TP,3. | 1 | S.A | |
| ...4 | RA5108 | 2011-000585 | R-NETWORK;47ohm,5%,1/16W,L,CHIP,8P,TP,3. | 1 | S.A | |
| ...4 | RA5109 | 2011-000585 | R-NETWORK;47ohm,5%,1/16W,L,CHIP,8P,TP,3. | 1 | S.A | |
| ...4 | RA3101 | 2011-000651 | R-NETWORK;10ohm,5%,1/16W,L,CHIP,8P,TP,32 | 1 | S.A | |
| ...4 | RA3102 | 2011-000651 | R-NETWORK;10ohm,5%,1/16W,L,CHIP,8P,TP,32 | 1 | S.A | |
| ...4 | RA3103 | 2011-000651 | R-NETWORK;10ohm,5%,1/16W,L,CHIP,8P,TP,32 | 1 | S.A | |
| ...4 | RA3104 | 2011-000651 | R-NETWORK;10ohm,5%,1/16W,L,CHIP,8P,TP,32 | 1 | S.A | |
| ...4 | RA3109 | 2011-000651 | R-NETWORK;10ohm,5%,1/16W,L,CHIP,8P,TP,32 | 1 | S.A | |
| ...4 | RA3110 | 2011-000651 | R-NETWORK;10ohm,5%,1/16W,L,CHIP,8P,TP,32 | 1 | S.A | |
| ...4 | RA3111 | 2011-000651 | R-NETWORK;10ohm,5%,1/16W,L,CHIP,8P,TP,32 | 1 | S.A | |
| ...4 | RA3112 | 2011-000651 | R-NETWORK;10ohm,5%,1/16W,L,CHIP,8P,TP,32 | 1 | S.A | |
| ...4 | RA3117 | 2011-000651 | R-NETWORK;10ohm,5%,1/16W,L,CHIP,8P,TP,32 | 1 | S.A | |
| ...4 | RA3118 | 2011-000651 | R-NETWORK;10ohm,5%,1/16W,L,CHIP,8P,TP,32 | 1 | S.A | |
| ...4 | RA5101 | 2011-000816 | R-NETWORK;100ohm,5%,1/16W,L,CHIP,8P,TP,3 | 1 | S.A | |
| ...4 | RA7104 | 2011-000816 | R-NETWORK;100ohm,5%,1/16W,L,CHIP,8P,TP,3 | 1 | S.A | |
| ...4 | RA2101 | 2011-000881 | R-NETWORK;33ohm,5%,1/16W,L,CHIP,8P,TP,3. | 1 | S.A | |
| ...4 | RA3115 | 2011-000881 | R-NETWORK;33ohm,5%,1/16W,L,CHIP,8P,TP,3. | 1 | S.A | |
| ...4 | RA3116 | 2011-000881 | R-NETWORK;33ohm,5%,1/16W,L,CHIP,8P,TP,3. | 1 | S.A | |
| ...4 | RA5102 | 2011-000881 | R-NETWORK;33ohm,5%,1/16W,L,CHIP,8P,TP,3. | 1 | S.A | |
| ...4 | RA5103 | 2011-000881 | R-NETWORK;33ohm,5%,1/16W,L,CHIP,8P,TP,3. | 1 | S.A | |
| ...4 | RA7103 | 2011-000881 | R-NETWORK;33ohm,5%,1/16W,L,CHIP,8P,TP,3. | 1 | S.A | |
| ...4 | RA7105 | 2011-000881 | R-NETWORK;33ohm,5%,1/16W,L,CHIP,8P,TP,3. | 1 | S.A | |
| ...4 | RA7107 | 2011-000881 | R-NETWORK;33ohm,5%,1/16W,L,CHIP,8P,TP,3. | 1 | S.A | |
| ...4 | RA7108 | 2011-000881 | R-NETWORK;33ohm,5%,1/16W,L,CHIP,8P,TP,3. | 1 | S.A | |
| ...4 | RA7203 | 2011-000881 | R-NETWORK;33ohm,5%,1/16W,L,CHIP,8P,TP,3. | 1 | S.A | |
| ...4 | RA7204 | 2011-000881 | R-NETWORK;33ohm,5%,1/16W,L,CHIP,8P,TP,3. | 1 | S.A | |
| ...4 | R3337_NSID | 2011-001001 | R-NETWORK;0ohm,5%,1/16W,L,CHIP,8P,TP,3.2 | 1 | S.A | |
| ...4 | R3338_NSID | 2011-001001 | R-NETWORK;0ohm,5%,1/16W,L,CHIP,8P,TP,3.2 | 1 | S.A | |
| ...4 | R3339_NSID | 2011-001001 | R-NETWORK;0ohm,5%,1/16W,L,CHIP,8P,TP,3.2 | 1 | S.A | |
| ...4 | RA5243 | 2011-001001 | R-NETWORK;0ohm,5%,1/16W,L,CHIP,8P,TP,3.2 | 1 | S.A | |
| ...4 | RA5244 | 2011-001001 | R-NETWORK;0ohm,5%,1/16W,L,CHIP,8P,TP,3.2 | 1 | S.A | |
| ...4 | RA5245 | 2011-001001 | R-NETWORK;0ohm,5%,1/16W,L,CHIP,8P,TP,3.2 | 1 | S.A | |
| ...4 | RA5246 | 2011-001001 | R-NETWORK;0ohm,5%,1/16W,L,CHIP,8P,TP,3.2 | 1 | S.A | |
| ...4 | RA5247 | 2011-001001 | R-NETWORK;0ohm,5%,1/16W,L,CHIP,8P,TP,3.2 | 1 | S.A | |
| ...4 | RA6101 | 2011-001001 | R-NETWORK;0ohm,5%,1/16W,L,CHIP,8P,TP,3.2 | 1 | S.A | |
| ...4 | RA6169 | 2011-001001 | R-NETWORK;0ohm,5%,1/16W,L,CHIP,8P,TP,3.2 | 1 | S.A | |
| ...4 | RA6170 | 2011-001001 | R-NETWORK;0ohm,5%,1/16W,L,CHIP,8P,TP,3.2 | 1 | S.A | |
| ...4 | RA6172 | 2011-001001 | R-NETWORK;0ohm,5%,1/16W,L,CHIP,8P,TP,3.2 | 1 | S.A | |
| ...4 | RA6173 | 2011-001001 | R-NETWORK;0ohm,5%,1/16W,L,CHIP,8P,TP,3.2 | 1 | S.A | |
| ...4 | RA7009 | 2011-001011 | R-NETWORK;10Kohm,5%,1/16W,L,CHIP,8P,TP,3 | 1 | S.A | |
| ...4 | RA7010 | 2011-001011 | R-NETWORK;10Kohm,5%,1/16W,L,CHIP,8P,TP,3 | 1 | S.A | |
| ...4 | RA7011 | 2011-001011 | R-NETWORK;10Kohm,5%,1/16W,L,CHIP,8P,TP,3 | 1 | S.A | |
| ...4 | RA7012 | 2011-001011 | R-NETWORK;10Kohm,5%,1/16W,L,CHIP,8P,TP,3 | 1 | S.A | |
| ...4 | RA7209 | 2011-001011 | R-NETWORK;10Kohm,5%,1/16W,L,CHIP,8P,TP,3 | 1 | S.A | |
| ...4 | RA7001 | 2011-001087 | R-NETWORK;75ohm,5%,1/16W,L,CHIP,8P,TP,3. | 1 | S.A | |
| ...4 | RA7002 | 2011-001087 | R-NETWORK;75ohm,5%,1/16W,L,CHIP,8P,TP,3. | 1 | S.A | |
| ...4 | RA7003 | 2011-001087 | R-NETWORK;75ohm,5%,1/16W,L,CHIP,8P,TP,3. | 1 | S.A | |
| ...4 | RA7004 | 2011-001087 | R-NETWORK;75ohm,5%,1/16W,L,CHIP,8P,TP,3. | 1 | S.A | |
| ...4 | RA7005 | 2011-001087 | R-NETWORK;75ohm,5%,1/16W,L,CHIP,8P,TP,3. | 1 | S.A | |

5. Exploded View & Part List

| Level | Location No. | Code No. | Description & Specification | Q'ty | SA/SNA | Remark |
|-------|--------------|-------------|--|------|--------|--------|
| ...4 | RA7006 | 2011-001087 | R-NETWORK;75ohm,5%,1/16W,L,CHIP,8P,TP,3. | 1 | S.A | |
| ...4 | RA7007 | 2011-001087 | R-NETWORK;75ohm,5%,1/16W,L,CHIP,8P,TP,3. | 1 | S.A | |
| ...4 | RA7008 | 2011-001087 | R-NETWORK;75ohm,5%,1/16W,L,CHIP,8P,TP,3. | 1 | S.A | |
| ...4 | RA7101 | 2011-001087 | R-NETWORK;75ohm,5%,1/16W,L,CHIP,8P,TP,3. | 1 | S.A | |
| ...4 | RA7205 | 2011-001087 | R-NETWORK;75ohm,5%,1/16W,L,CHIP,8P,TP,3. | 1 | S.A | |
| ...4 | RA7210 | 2011-001087 | R-NETWORK;75ohm,5%,1/16W,L,CHIP,8P,TP,3. | 1 | S.A | |
| ...4 | RA2102 | 2011-001093 | R-NETWORK;100ohm,5%,1/16W,L,CHIP,8P,TP,3 | 1 | S.A | |
| ...4 | RA2103 | 2011-001093 | R-NETWORK;100ohm,5%,1/16W,L,CHIP,8P,TP,3 | 1 | S.A | |
| ...4 | RA7201 | 2011-001093 | R-NETWORK;100ohm,5%,1/16W,L,CHIP,8P,TP,3 | 1 | S.A | |
| ...4 | RA7202 | 2011-001093 | R-NETWORK;100ohm,5%,1/16W,L,CHIP,8P,TP,3 | 1 | S.A | |
| ...4 | C120 | 2203-000206 | C-CER,CHIP;100nF,10%,50V,X7R,2012 | 1 | S.A | |
| ...4 | C120 | 2203-000233 | C-CER,CHIP;0.1nF,5%,50V,C0G,1005 | 1 | S.A | |
| ...4 | C120 | 2203-000233 | C-CER,CHIP;0.1nF,5%,50V,C0G,1005 | 1 | S.A | |
| ...4 | C120 | 2203-000233 | C-CER,CHIP;0.1nF,5%,50V,C0G,1005 | 1 | S.A | |
| ...4 | C120 | 2203-000233 | C-CER,CHIP;0.1nF,5%,50V,C0G,1005 | 1 | S.A | |
| ...4 | C120 | 2203-000233 | C-CER,CHIP;0.1nF,5%,50V,C0G,1005 | 1 | S.A | |
| ...4 | C120 | 2203-000233 | C-CER,CHIP;0.1nF,5%,50V,C0G,1005 | 1 | S.A | |
| ...4 | C120 | 2203-000233 | C-CER,CHIP;0.1nF,5%,50V,C0G,1005 | 1 | S.A | |
| ...4 | C120 | 2203-000233 | C-CER,CHIP;0.1nF,5%,50V,C0G,1005 | 1 | S.A | |
| ...4 | C120 | 2203-000233 | C-CER,CHIP;0.1nF,5%,50V,C0G,1005 | 1 | S.A | |
| ...4 | C120 | 2203-000233 | C-CER,CHIP;0.1nF,5%,50V,C0G,1005 | 1 | S.A | |
| ...4 | C120 | 2203-000233 | C-CER,CHIP;0.1nF,5%,50V,C0G,1005 | 1 | S.A | |
| ...4 | C120 | 2203-000257 | C-CER,CHIP;10nF,10%,50V,X7R,TP,1608 | 1 | S.A | |
| ...4 | C120 | 2203-000257 | C-CER,CHIP;10nF,10%,50V,X7R,TP,1608 | 1 | S.A | |
| ...4 | C120 | 2203-000332 | C-CER,CHIP;0.012nF,5%,50V,C0G,1608 | 1 | S.A | |
| ...4 | C120 | 2203-000332 | C-CER,CHIP;0.012nF,5%,50V,C0G,1608 | 1 | S.A | |
| ...4 | C120 | 2203-000386 | C-CER,CHIP;0.015nF,5%,50V,C0G,1005 | 1 | S.A | |
| ...4 | C120 | 2203-000386 | C-CER,CHIP;0.015nF,5%,50V,C0G,1005 | 1 | S.A | |
| ...4 | C120 | 2203-000386 | C-CER,CHIP;0.015nF,5%,50V,C0G,1005 | 1 | S.A | |
| ...4 | C120 | 2203-000425 | C-CER,CHIP;0.018nF,5%,50V,C0G,1005 | 1 | S.A | |
| ...4 | C120 | 2203-000425 | C-CER,CHIP;0.018nF,5%,50V,C0G,1005 | 1 | S.A | |
| ...4 | C120 | 2203-000438 | C-CER,CHIP;1nF,10%,50V,X7R,1005 | 1 | S.A | |
| ...4 | C120 | 2203-000438 | C-CER,CHIP;1nF,10%,50V,X7R,1005 | 1 | S.A | |
| ...4 | C120 | 2203-000438 | C-CER,CHIP;1nF,10%,50V,X7R,1005 | 1 | S.A | |
| ...4 | C120 | 2203-000438 | C-CER,CHIP;1nF,10%,50V,X7R,1005 | 1 | S.A | |
| ...4 | C120 | 2203-000438 | C-CER,CHIP;1nF,10%,50V,X7R,1005 | 1 | S.A | |
| ...4 | C120 | 2203-000438 | C-CER,CHIP;1nF,10%,50V,X7R,1005 | 1 | S.A | |
| ...4 | C120 | 2203-000438 | C-CER,CHIP;1nF,10%,50V,X7R,1005 | 1 | S.A | |
| ...4 | C120 | 2203-000438 | C-CER,CHIP;1nF,10%,50V,X7R,1005 | 1 | S.A | |
| ...4 | C120 | 2203-000438 | C-CER,CHIP;1nF,10%,50V,X7R,1005 | 1 | S.A | |
| ...4 | C120 | 2203-000438 | C-CER,CHIP;1nF,10%,50V,X7R,1005 | 1 | S.A | |
| ...4 | C120 | 2203-000438 | C-CER,CHIP;1nF,10%,50V,X7R,1005 | 1 | S.A | |
| ...4 | C120 | 2203-000438 | C-CER,CHIP;1nF,10%,50V,X7R,1005 | 1 | S.A | |
| ...4 | C120 | 2203-000438 | C-CER,CHIP;1nF,10%,50V,X7R,1005 | 1 | S.A | |
| ...4 | C120 | 2203-000438 | C-CER,CHIP;1nF,10%,50V,X7R,1005 | 1 | S.A | |
| ...4 | C120 | 2203-000438 | C-CER,CHIP;1nF,10%,50V,X7R,1005 | 1 | S.A | |
| ...4 | C120 | 2203-000438 | C-CER,CHIP;1nF,10%,50V,X7R,1005 | 1 | S.A | |
| ...4 | C120 | 2203-000489 | C-CER,CHIP;2.2nF,10%,50V,X7R,1005 | 1 | S.A | |
| ...4 | C120 | 2203-000489 | C-CER,CHIP;2.2nF,10%,50V,X7R,1005 | 1 | S.A | |
| ...4 | C120 | 2203-000489 | C-CER,CHIP;2.2nF,10%,50V,X7R,1005 | 1 | S.A | |
| ...4 | C120 | 2203-000489 | C-CER,CHIP;2.2nF,10%,50V,X7R,1005 | 1 | S.A | |

5. Exploded View & Part List

| Level | Location No. | Code No. | Description & Specification | Q'ty | SA/SNA | Remark |
|-------|--------------|-------------|--|------|--------|--------|
| ...4 | C120 | 2203-000550 | C-CER,CHIP;0.02nF,5%,50V,C0G,1005 | 1 | S.N.A | |
| ...4 | C120 | 2203-000550 | C-CER,CHIP;0.02nF,5%,50V,C0G,1005 | 1 | S.N.A | |
| ...4 | C120 | 2203-000627 | C-CER,CHIP;0.022nF,5%,50V,C0G,1005 | 1 | S.N.A | |
| ...4 | C120 | 2203-000627 | C-CER,CHIP;0.022nF,5%,50V,C0G,1005 | 1 | S.N.A | |
| ...4 | C120 | 2203-000627 | C-CER,CHIP;0.022nF,5%,50V,C0G,1005 | 1 | S.N.A | |
| ...4 | C120 | 2203-000714 | C-CER,CHIP;3.3nF,10%,50V,X7R,TP,1005,- | 1 | S.A | |
| ...4 | C120 | 2203-000714 | C-CER,CHIP;3.3nF,10%,50V,X7R,TP,1005,- | 1 | S.A | |
| ...4 | C120 | 2203-000783 | C-CER,CHIP;0.33nF,5%,50V,C0G,1608 | 1 | S.A | |
| ...4 | C120 | 2203-000783 | C-CER,CHIP;0.33nF,5%,50V,C0G,1608 | 1 | S.A | |
| ...4 | C120 | 2203-000783 | C-CER,CHIP;0.33nF,5%,50V,C0G,1608 | 1 | S.A | |
| ...4 | C120 | 2203-000783 | C-CER,CHIP;0.33nF,5%,50V,C0G,1608 | 1 | S.A | |
| ...4 | C120 | 2203-000783 | C-CER,CHIP;0.33nF,5%,50V,C0G,1608 | 1 | S.A | |
| ...4 | C120 | 2203-000783 | C-CER,CHIP;0.33nF,5%,50V,C0G,1608 | 1 | S.A | |
| ...4 | C120 | 2203-000783 | C-CER,CHIP;0.33nF,5%,50V,C0G,1608 | 1 | S.A | |
| ...4 | C120 | 2203-000815 | C-CER,CHIP;0.033nF,5%,50V,C0G,1608 | 1 | S.A | |
| ...4 | C120 | 2203-000815 | C-CER,CHIP;0.033nF,5%,50V,C0G,1608 | 1 | S.A | |
| ...4 | C120 | 2203-000925 | C-CER,CHIP;470nF,+80-20%,50V,Y5V,2012 | 1 | S.A | |
| ...4 | C120 | 2203-000925 | C-CER,CHIP;470nF,+80-20%,50V,Y5V,2012 | 1 | S.A | |
| ...4 | C120 | 2203-000975 | C-CER,CHIP;47nF,10%,25V,X7R,TP,1608,- | 1 | S.A | |
| ...4 | C120 | 2203-000975 | C-CER,CHIP;47nF,10%,25V,X7R,TP,1608,- | 1 | S.A | |
| ...4 | C120 | 2203-000975 | C-CER,CHIP;47nF,10%,25V,X7R,TP,1608,- | 1 | S.A | |
| ...4 | C120 | 2203-000975 | C-CER,CHIP;47nF,10%,25V,X7R,TP,1608,- | 1 | S.A | |
| ...4 | C120 | 2203-000975 | C-CER,CHIP;47nF,10%,25V,X7R,TP,1608,- | 1 | S.A | |
| ...4 | C120 | 2203-000975 | C-CER,CHIP;47nF,10%,25V,X7R,TP,1608,- | 1 | S.A | |
| ...4 | C120 | 2203-000975 | C-CER,CHIP;47nF,10%,25V,X7R,TP,1608,- | 1 | S.A | |
| ...4 | C120 | 2203-000975 | C-CER,CHIP;47nF,10%,25V,X7R,TP,1608,- | 1 | S.A | |
| ...4 | C120 | 2203-000975 | C-CER,CHIP;47nF,10%,25V,X7R,TP,1608,- | 1 | S.A | |
| ...4 | C120 | 2203-000998 | C-CER,CHIP;0.047nF,5%,50V,C0G,1608 | 1 | S.A | |
| ...4 | C120 | 2203-000998 | C-CER,CHIP;0.047nF,5%,50V,C0G,1608 | 1 | S.A | |
| ...4 | C120 | 2203-000998 | C-CER,CHIP;0.047nF,5%,50V,C0G,1608 | 1 | S.A | |
| ...4 | C120 | 2203-000998 | C-CER,CHIP;0.047nF,5%,50V,C0G,1608 | 1 | S.A | |
| ...4 | C120 | 2203-001153 | C-CER,CHIP;0.068nF,5%,50V,NP0,1005 | 1 | S.A | |
| ...4 | C120 | 2203-001153 | C-CER,CHIP;0.068nF,5%,50V,NP0,1005 | 1 | S.A | |
| ...4 | C120 | 2203-001153 | C-CER,CHIP;0.068nF,5%,50V,NP0,1005 | 1 | S.A | |
| ...4 | C120 | 2203-001153 | C-CER,CHIP;0.068nF,5%,50V,NP0,1005 | 1 | S.A | |
| ...4 | C120 | 2203-001153 | C-CER,CHIP;0.068nF,5%,50V,NP0,1005 | 1 | S.A | |
| ...4 | C120 | 2203-001153 | C-CER,CHIP;0.068nF,5%,50V,NP0,1005 | 1 | S.A | |
| ...4 | C120 | 2203-001630 | C-CER,CHIP;330nF,+80-20%,16V,Y5V,1608 | 1 | S.A | |
| ...4 | C120 | 2203-001630 | C-CER,CHIP;330nF,+80-20%,16V,Y5V,1608 | 1 | S.A | |
| ...4 | C120 | 2203-002285 | C-CER,CHIP;10nF,10%,50V,X7R,1005 | 1 | S.N.A | |
| ...4 | C120 | 2203-002285 | C-CER,CHIP;10nF,10%,50V,X7R,1005 | 1 | S.N.A | |
| ...4 | C120 | 2203-002285 | C-CER,CHIP;10nF,10%,50V,X7R,1005 | 1 | S.N.A | |
| ...4 | C120 | 2203-002285 | C-CER,CHIP;10nF,10%,50V,X7R,1005 | 1 | S.N.A | |
| ...4 | C120 | 2203-002285 | C-CER,CHIP;10nF,10%,50V,X7R,1005 | 1 | S.N.A | |
| ...4 | C120 | 2203-002285 | C-CER,CHIP;10nF,10%,50V,X7R,1005 | 1 | S.N.A | |
| ...4 | C120 | 2203-002285 | C-CER,CHIP;10nF,10%,50V,X7R,1005 | 1 | S.N.A | |
| ...4 | C120 | 2203-002285 | C-CER,CHIP;10nF,10%,50V,X7R,1005 | 1 | S.N.A | |
| ...4 | C120 | 2203-002285 | C-CER,CHIP;10nF,10%,50V,X7R,1005 | 1 | S.N.A | |
| ...4 | C120 | 2203-002285 | C-CER,CHIP;10nF,10%,50V,X7R,1005 | 1 | S.N.A | |
| ...4 | C120 | 2203-002285 | C-CER,CHIP;10nF,10%,50V,X7R,1005 | 1 | S.N.A | |
| ...4 | C120 | 2203-002285 | C-CER,CHIP;10nF,10%,50V,X7R,1005 | 1 | S.N.A | |

| Level | Location No. | Code No. | Description & Specification | Q'ty | SA/SNA | Remark |
|-------|--------------|-------------|--|------|--------|--------|
|4 | C120 | 2203-002285 | C-CER,CHIP;10nF,10%,50V,X7R,1005 | 1 | S.N.A | |
|4 | C120 | 2203-002285 | C-CER,CHIP;10nF,10%,50V,X7R,1005 | 1 | S.N.A | |
|4 | C120 | 2203-002285 | C-CER,CHIP;10nF,10%,50V,X7R,1005 | 1 | S.N.A | |
|4 | C120 | 2203-002285 | C-CER,CHIP;10nF,10%,50V,X7R,1005 | 1 | S.N.A | |
|4 | C120 | 2203-002285 | C-CER,CHIP;10nF,10%,50V,X7R,1005 | 1 | S.N.A | |
|4 | C120 | 2203-002285 | C-CER,CHIP;10nF,10%,50V,X7R,1005 | 1 | S.N.A | |
|4 | C120 | 2203-002285 | C-CER,CHIP;10nF,10%,50V,X7R,1005 | 1 | S.N.A | |
|4 | C120 | 2203-002285 | C-CER,CHIP;10nF,10%,50V,X7R,1005 | 1 | S.N.A | |
|4 | C120 | 2203-002285 | C-CER,CHIP;10nF,10%,50V,X7R,1005 | 1 | S.N.A | |
|4 | C120 | 2203-002285 | C-CER,CHIP;10nF,10%,50V,X7R,1005 | 1 | S.N.A | |
|4 | C120 | 2203-002285 | C-CER,CHIP;10nF,10%,50V,X7R,1005 | 1 | S.N.A | |
|4 | C120 | 2203-002285 | C-CER,CHIP;10nF,10%,50V,X7R,1005 | 1 | S.N.A | |
|4 | C120 | 2203-002398 | C-CER,CHIP;22nF,10%,50V,X7R,1608 | 1 | S.A | |
|4 | C120 | 2203-002398 | C-CER,CHIP;22nF,10%,50V,X7R,1608 | 1 | S.A | |
|4 | C120 | 2203-002398 | C-CER,CHIP;22nF,10%,50V,X7R,1608 | 1 | S.A | |
|4 | C120 | 2203-002398 | C-CER,CHIP;22nF,10%,50V,X7R,1608 | 1 | S.A | |
|4 | C120 | 2203-002687 | C-CER,CHIP;1.2nF,10%,50V,X7R,TP,1005 | 1 | S.A | |
|4 | C120 | 2203-002687 | C-CER,CHIP;1.2nF,10%,50V,X7R,TP,1005 | 1 | S.A | |
|4 | C120 | 2203-002687 | C-CER,CHIP;1.2nF,10%,50V,X7R,TP,1005 | 1 | S.A | |
|4 | C120 | 2203-002687 | C-CER,CHIP;1.2nF,10%,50V,X7R,TP,1005 | 1 | S.A | |
|4 | C120 | 2203-005249 | C-CER,CHIP;100nF,10%,50V,X7R,1608 | 1 | S.A | |
|4 | C120 | 2203-005249 | C-CER,CHIP;100nF,10%,50V,X7R,1608 | 1 | S.A | |
|4 | C120 | 2203-005249 | C-CER,CHIP;100nF,10%,50V,X7R,1608 | 1 | S.A | |
|4 | C120 | 2203-005249 | C-CER,CHIP;100nF,10%,50V,X7R,1608 | 1 | S.A | |
|4 | C120 | 2203-005249 | C-CER,CHIP;100nF,10%,50V,X7R,1608 | 1 | S.A | |
|4 | C120 | 2203-005249 | C-CER,CHIP;100nF,10%,50V,X7R,1608 | 1 | S.A | |
|4 | C120 | 2203-005249 | C-CER,CHIP;100nF,10%,50V,X7R,1608 | 1 | S.A | |
|4 | C120 | 2203-005249 | C-CER,CHIP;100nF,10%,50V,X7R,1608 | 1 | S.A | |
|4 | C120 | 2203-005249 | C-CER,CHIP;100nF,10%,50V,X7R,1608 | 1 | S.A | |
|4 | C120 | 2203-005249 | C-CER,CHIP;100nF,10%,50V,X7R,1608 | 1 | S.A | |
|4 | C120 | 2203-005249 | C-CER,CHIP;100nF,10%,50V,X7R,1608 | 1 | S.A | |
|4 | C120 | 2203-005249 | C-CER,CHIP;100nF,10%,50V,X7R,1608 | 1 | S.A | |
|4 | C120 | 2203-005249 | C-CER,CHIP;100nF,10%,50V,X7R,1608 | 1 | S.A | |
|4 | C120 | 2203-005393 | C-CER,CHIP;0.005nF,0.1pF,50V,NP0,TP,1005 | 1 | S.N.A | |
|4 | C120 | 2203-005393 | C-CER,CHIP;0.005nF,0.1pF,50V,NP0,TP,1005 | 1 | S.N.A | |
|4 | C120 | 2203-005437 | C-CER,CHIP;10000nF,+80-20%,10V,Y5V,3216 | 1 | S.A | |
|4 | C120 | 2203-005437 | C-CER,CHIP;10000nF,+80-20%,10V,Y5V,3216 | 1 | S.A | |
|4 | C120 | 2203-005437 | C-CER,CHIP;10000nF,+80-20%,10V,Y5V,3216 | 1 | S.A | |
|4 | C120 | 2203-005533 | C-CER,CHIP;1000nF,20%,6.3V,X7R,TP,1608 | 1 | S.A | |
|4 | C120 | 2203-005533 | C-CER,CHIP;1000nF,20%,6.3V,X7R,TP,1608 | 1 | S.A | |
|4 | C120 | 2203-005533 | C-CER,CHIP;1000nF,20%,6.3V,X7R,TP,1608 | 1 | S.A | |
|4 | C120 | 2203-005533 | C-CER,CHIP;1000nF,20%,6.3V,X7R,TP,1608 | 1 | S.A | |
|4 | C120 | 2203-005533 | C-CER,CHIP;1000nF,20%,6.3V,X7R,TP,1608 | 1 | S.A | |
|4 | C120 | 2203-005533 | C-CER,CHIP;1000nF,20%,6.3V,X7R,TP,1608 | 1 | S.A | |
|4 | C120 | 2203-005533 | C-CER,CHIP;1000nF,20%,6.3V,X7R,TP,1608 | 1 | S.A | |
|4 | C120 | 2203-005533 | C-CER,CHIP;1000nF,20%,6.3V,X7R,TP,1608 | 1 | S.A | |
|4 | C120 | 2203-005533 | C-CER,CHIP;1000nF,20%,6.3V,X7R,TP,1608 | 1 | S.A | |
|4 | C120 | 2203-005533 | C-CER,CHIP;1000nF,20%,6.3V,X7R,TP,1608 | 1 | S.A | |
|4 | C120 | 2203-005533 | C-CER,CHIP;1000nF,20%,6.3V,X7R,TP,1608 | 1 | S.A | |
|4 | C120 | 2203-005533 | C-CER,CHIP;1000nF,20%,6.3V,X7R,TP,1608 | 1 | S.A | |
|4 | C120 | 2203-005642 | C-CER,CHIP;0.22nF,5%,50V,NP0,1005 | 1 | S.N.A | |
|4 | C120 | 2203-005642 | C-CER,CHIP;0.22nF,5%,50V,NP0,1005 | 1 | S.N.A | |

5. Exploded View & Part List

| Level | Location No. | Code No. | Description & Specification | Q'ty | SA/SNA | Remark |
|-------|--------------|-------------|---|------|--------|--------|
| ...4 | C120 | 2203-007176 | C-CER,CHIP;1000nF,10%,16V,X5R,TP,2012 (| 1 | S.N.A | |
| ...4 | C120 | 2203-007176 | C-CER,CHIP;1000nF,10%,16V,X5R,TP,2012 (| 1 | S.N.A | |
| ...4 | C120 | 2203-007176 | C-CER,CHIP;1000nF,10%,16V,X5R,TP,2012 (| 1 | S.N.A | |
| ...4 | C120 | 2203-007176 | C-CER,CHIP;1000nF,10%,16V,X5R,TP,2012 (| 1 | S.N.A | |
| ...4 | C120 | 2203-007176 | C-CER,CHIP;1000nF,10%,16V,X5R,TP,2012 (| 1 | S.N.A | |
| ...4 | C120 | 2203-007176 | C-CER,CHIP;1000nF,10%,16V,X5R,TP,2012 (| 1 | S.N.A | |
| ...4 | C120 | 2203-007176 | C-CER,CHIP;1000nF,10%,16V,X5R,TP,2012 (| 1 | S.N.A | |
| ...4 | C120 | 2203-007176 | C-CER,CHIP;1000nF,10%,16V,X5R,TP,2012 (| 1 | S.N.A | |
| ...4 | C120 | 2203-007176 | C-CER,CHIP;1000nF,10%,16V,X5R,TP,2012 (| 1 | S.N.A | |
| ...4 | C120 | 2203-007176 | C-CER,CHIP;1000nF,10%,16V,X5R,TP,2012 (| 1 | S.N.A | |
| ...4 | C1120 | 2402-001128 | C-AL,SMD;100##F,20%,16V,-,TP,6.3X5.7mm | 1 | S.A | |
| ...4 | C1121 | 2402-001128 | C-AL,SMD;100##F,20%,16V,-,TP,6.3X5.7mm | 1 | S.A | |
| ...4 | C2139 | 2402-001128 | C-AL,SMD;100##F,20%,16V,-,TP,6.3X5.7mm | 1 | S.A | |
| ...4 | C2140 | 2402-001128 | C-AL,SMD;100##F,20%,16V,-,TP,6.3X5.7mm | 1 | S.A | |
| ...4 | C3170 | 2402-001128 | C-AL,SMD;100##F,20%,16V,-,TP,6.3X5.7mm | 1 | S.A | |
| ...4 | C3189 | 2402-001129 | C-AL,SMD;47UF,20%,16V,WT,TP,6.3X5.2MM | 1 | S.A | |
| ...4 | C1163 | 2402-001210 | C-POLYMER AL CHIP;100uF,20%,10V,WT,TP,7. | 1 | S.A | |
| ...4 | C1169 | 2402-001210 | C-POLYMER AL CHIP;100uF,20%,10V,WT,TP,7. | 1 | S.A | |
| ...4 | C5120 | 2402-001210 | C-POLYMER AL CHIP;100uF,20%,10V,WT,TP,7. | 1 | S.A | |
| ...4 | C5355 | 2402-001210 | C-POLYMER AL CHIP;100uF,20%,10V,WT,TP,7. | 1 | S.A | |
| ...4 | C1351 | 2409-001118 | C-POLYMER ,CHIP;47uF,-,+20,10V,WT,REEL,3. | 1 | S.A | |
| ...4 | T0052 | 2703-000398 | INDUCTOR-SMD;10uH,10%,3225 | 1 | S.A | |
| ...4 | T0052 | 2703-000398 | INDUCTOR-SMD;10uH,10%,3225 | 1 | S.A | |
| ...4 | T0052 | 2703-000417 | INDUCTOR-SMD;220uH,5%,3225 | 1 | S.A | |
| ...4 | T0052 | 2703-001334 | INDUCTOR-SMD;1.5uH,10%,2012 | 1 | S.A | |
| ...4 | T0052 | 2703-001334 | INDUCTOR-SMD;1.5uH,10%,2012 | 1 | S.A | |
| ...4 | T0052 | 2703-001334 | INDUCTOR-SMD;1.5uH,10%,2012 | 1 | S.A | |
| ...4 | T0052 | 2703-001334 | INDUCTOR-SMD;1.5uH,10%,2012 | 1 | S.A | |
| ...4 | T0052 | 2703-001426 | INDUCTOR-SMD;680uH,20%,7070 | 1 | S.A | |
| ...4 | T0052 | 2703-002722 | INDUCTOR-SMD;22uH,20%,12x12mm | 1 | S.A | |
| ...4 | T0052 | 2703-002722 | INDUCTOR-SMD;22uH,20%,12x12mm | 1 | S.A | |
| ...4 | L2101 | 2704-000018 | INDUCTOR-SMD-ARRAY;15uH,2000mA,2,0.124oh | 1 | S.N.A | |
| ...4 | L2102 | 2704-000018 | INDUCTOR-SMD-ARRAY;15uH,2000mA,2,0.124oh | 1 | S.N.A | |
| ...4 | X202 | 2801-003326 | CRYSTAL-SMD;24MHZ,30PPM,28-ABX,20PF,50OH | 1 | S.A | |
| ...4 | X202 | 2801-003954 | CRYSTAL-SMD;27MHz,30ppm,28-AAN,16pF,50oh | 1 | S.A | |
| ...4 | X202 | 2801-003954 | CRYSTAL-SMD;27MHz,30ppm,28-AAN,16pF,50oh | 1 | S.A | |
| ...4 | F103 | 2901-001114 | FILTER-EMI SMD;25VDC,2.0ADC,-,100nF,3.2x | 1 | S.A | |
| ...4 | F103 | 2901-001302 | FILTER-EMI SMD;20V,0.3A,0pF,2.0x1.2x1.3m | 1 | S.A | |
| ...4 | F103 | 2901-001302 | FILTER-EMI SMD;20V,0.3A,0pF,2.0x1.2x1.3m | 1 | S.A | |
| ...4 | F103 | 2901-001302 | FILTER-EMI SMD;20V,0.3A,0pF,2.0x1.2x1.3m | 1 | S.A | |
| ...4 | F103 | 2901-001302 | FILTER-EMI SMD;20V,0.3A,0pF,2.0x1.2x1.3m | 1 | S.A | |
| ...4 | T0568 | 3301-001145 | BEAD-SMD;60ohm,4516,TP,70ohm/45MHz,82ohm | 1 | S.N.A | |
| ...4 | T0568 | 3301-001145 | BEAD-SMD;60ohm,4516,TP,70ohm/45MHz,82ohm | 1 | S.N.A | |
| ...4 | T0568 | 3301-001145 | BEAD-SMD;60ohm,4516,TP,70ohm/45MHz,82ohm | 1 | S.N.A | |
| ...4 | T0568 | 3301-001145 | BEAD-SMD;60ohm,4516,TP,70ohm/45MHz,82ohm | 1 | S.N.A | |
| ...4 | T0568 | 3301-001145 | BEAD-SMD;60ohm,4516,TP,70ohm/45MHz,82ohm | 1 | S.N.A | |
| ...4 | T0568 | 3301-001145 | BEAD-SMD;60ohm,4516,TP,70ohm/45MHz,82ohm | 1 | S.N.A | |
| ...4 | T0568 | 3301-001145 | BEAD-SMD;60ohm,4516,TP,70ohm/45MHz,82ohm | 1 | S.N.A | |
| ...4 | T0568 | 3301-001145 | BEAD-SMD;60ohm,4516,TP,70ohm/45MHz,82ohm | 1 | S.N.A | |
| ...4 | T0568 | 3301-001148 | BEAD-SMD;60ohm,1608,TP,-,- | 1 | S.N.A | |
| ...4 | T0568 | 3301-001148 | BEAD-SMD;60ohm,1608,TP,-,- | 1 | S.N.A | |
| ...4 | T0568 | 3301-001148 | BEAD-SMD;60ohm,1608,TP,-,- | 1 | S.N.A | |

5. Exploded View & Part List

| Level | Location No. | Code No. | Description & Specification | Q'ty | SA/SNA | Remark |
|-------|--------------|-------------|--|------|--------|--------|
|4 | M0018 | BN97-02049A | ASSY MICOM;T-PRLPEUMD,N46A,2007.11.26,11 | 1 | S.N.A | |
|5 | IC115 | 1107-001415 | IC-FLASH MEMORY;29W320D,4Mx8/2Mx16Bit,TS | 1 | S.N.A | |
|4 | M0018 | BN97-02049B | ASSY MICOM;T-PRLPEUS,N46A,2007.11.26,090 | 1 | S.N.A | |
|5 | IC520 | 0903-001552 | IC-MICROCONTROLLER;WT61P8-RG480WT,LQFP,4 | 1 | S.A | |
|4 | M0018 | BN97-02049C | ASSY MICOM;T-PERLDEUC,N46A,2007.11.26,11 | 1 | S.N.A | |
|5 | IC115 | 1107-001415 | IC-FLASH MEMORY;29W320D,4Mx8/2Mx16Bit,TS | 1 | S.N.A | |
|4 | R110 | 2007-000070 | R-CHIP;0ohm,5%,1/10W,TP,1608 | 1 | S.A | |
|4 | R110 | 2007-000070 | R-CHIP;0ohm,5%,1/10W,TP,1608 | 1 | S.A | |
|4 | R110 | 2007-000070 | R-CHIP;0ohm,5%,1/10W,TP,1608 | 1 | S.A | |
|4 | R110 | 2007-000070 | R-CHIP;0ohm,5%,1/10W,TP,1608 | 1 | S.A | |
|4 | R110 | 2007-000070 | R-CHIP;0ohm,5%,1/10W,TP,1608 | 1 | S.A | |
|4 | R110 | 2007-007001 | R-CHIP;3.9KOHM,5%,1/16W,TP,1005 | 1 | S.A | |
|4 | C120 | 2203-000440 | C-CER,CHIP;1nF,10%,50V,X7R,1608 | 1 | S.A | |
|4 | C120 | 2203-000440 | C-CER,CHIP;1nF,10%,50V,X7R,1608 | 1 | S.A | |
|4 | C6151_OP | 2402-001259 | C-AL,SMD;220uF,20%,16V,WT,REEL,8X10 | 1 | S.A | |
|4 | C2160 | 2402-001273 | C-AL,SMD;220uF,20%,35V,WT,REEL,10X10mm | 1 | S.A | |
|4 | C1140 | 2409-001118 | C-POLYMER ,CHIP;47uF,+20,10V,WT,REEL,3. | 1 | S.A | |
|4 | C5521 | 2409-001118 | C-POLYMER ,CHIP;47uF,+20,10V,WT,REEL,3. | 1 | S.A | |
|4 | C5522 | 2409-001118 | C-POLYMER ,CHIP;47uF,+20,10V,WT,REEL,3. | 1 | S.A | |
|4 | CN330 | 3711-006374 | HEADER-BOARD TO CABLE;BOX,41P,2R,1.25mm, | 1 | S.A | |
|4 | IC104 | 0801-002633 | IC-CMOS LOGIC;7WBD3125,2bit BUS SWITCH,S | 1 | S.A | |
|4 | IC104 | 0801-002633 | IC-CMOS LOGIC;7WBD3125,2bit BUS SWITCH,S | 1 | S.A | |
|4 | IC104 | 0801-002633 | IC-CMOS LOGIC;7WBD3125,2bit BUS SWITCH,S | 1 | S.A | |
|4 | IC104 | 0801-002633 | IC-CMOS LOGIC;7WBD3125,2bit BUS SWITCH,S | 1 | S.A | |
|4 | R110 | 2007-002425 | R-CHIP;1ohm,5%,1/10W,TP,1608 | 1 | S.A | |
|4 | R110 | 2007-002425 | R-CHIP;1ohm,5%,1/10W,TP,1608 | 1 | S.A | |
|4 | R110 | 2007-002425 | R-CHIP;1ohm,5%,1/10W,TP,1608 | 1 | S.A | |
|4 | R110 | 2007-002425 | R-CHIP;1ohm,5%,1/10W,TP,1608 | 1 | S.A | |
|4 | R110 | 2007-002425 | R-CHIP;1ohm,5%,1/10W,TP,1608 | 1 | S.A | |
|4 | R110 | 2007-002425 | R-CHIP;1ohm,5%,1/10W,TP,1608 | 1 | S.A | |
|4 | R110 | 2007-002425 | R-CHIP;1ohm,5%,1/10W,TP,1608 | 1 | S.A | |
|4 | C120 | 2203-006158 | C-CER,CHIP;100nF,10%,16V,X7R,1005 | 1 | S.N.A | |
|4 | C1207 | 2402-001238 | C-AL,SMD;1uF,20%,50V,HR,TP,4.3x4.3x5.2mm | 1 | S.A | |
|4 | D0254 | 0404-001307 | DIODE-SCHOTTKY;SSC54,20V,5000mA,DO-214AB | 1 | S.A | |
|4 | R110 | 2007-000033 | R-CHIP;0ohm,5%,1/4W,TP,3216 | 1 | S.A | |
|4 | R110 | 2007-000033 | R-CHIP;0ohm,5%,1/4W,TP,3216 | 1 | S.A | |
|4 | R110 | 2007-000033 | R-CHIP;0ohm,5%,1/4W,TP,3216 | 1 | S.A | |
|4 | R110 | 2007-000033 | R-CHIP;0ohm,5%,1/4W,TP,3216 | 1 | S.A | |
|4 | R110 | 2007-000312 | R-CHIP;10ohm,5%,1/4W,TP,3216 | 1 | S.A | |
|4 | R110 | 2007-000312 | R-CHIP;10ohm,5%,1/4W,TP,3216 | 1 | S.A | |
|4 | T0077 | BN41-00974B | PCB MAIN;Amber,FR-4,4,1.0,1.6,192*240,N4 | 1 | S.N.A | |
| ...3 | T0603 | BN63-04510A | SHIELD-PCB MAIN;PEARL32, EO,TOP,SPTE,T0. | 1 | S.N.A | |
| ...3 | T0603 | BN63-04512A | SHIELD-PCB MAIN;PEARL32,EO,BOT,SPTE T0.3 | 1 | S.N.A | |
| ...3 | SUB09_MTK | BN73-00024E | SILICON/RUBBER-GAPPAD;EDISON 24,SILICON+ | 1 | S.N.A | |
| ...3 | SUB10_FBE | BN73-00176B | SILICON/RUBBER-GAPPAD;EDISON 24,SILICON+ | 1 | S.N.A | |
| 0.1 | | BN91-02025B | ASSY SHIELD-AAE;LE40A557P7FX/XC | 1 | S.N.A | |
| ..2 | M0081 | 6003-000115 | SCREW-TAPTITE;BH,+,B,M3,L6,ZPC(BLK),SWRC | 6 | S.A | |
| ..2 | M0081 | 6003-000115 | SCREW-TAPTITE;BH,+,B,M3,L6,ZPC(BLK),SWRC | 6 | S.A | |
| ..2 | M0081 | 6003-000115 | SCREW-TAPTITE;BH,+,B,M3,L6,ZPC(BLK),SWRC | 1 | S.A | |
| ..2 | M0081 | 6003-000337 | SCREW-TAPTITE;BH,+,S,M4,L10,ZPC(BLK),SWR | 4 | S.A | |
| ..2 | M0081 | 6003-000337 | SCREW-TAPTITE;BH,+,S,M4,L10,ZPC(BLK),SWR | 1 | S.A | |

5. Exploded View & Part List

| Level | Location No. | Code No. | Description & Specification | Q'ty | SA/SNA | Remark |
|-------|--------------|-------------|--|-------|--------|--------|
| ..2 | M0081 | 6003-000337 | SCREW-TAPTITE;BH,+,S,M4,L10,ZPC(BLK),SWR | 1 | S.A | |
| ..2 | M0081 | 6003-000337 | SCREW-TAPTITE;BH,+,S,M4,L10,ZPC(BLK),SWR | 1 | S.A | |
| ..2 | M0081 | 6003-000337 | SCREW-TAPTITE;BH,+,S,M4,L10,ZPC(BLK),SWR | 2 | S.A | |
| ..2 | M0081 | 6003-001188 | SCREW-TAPTITE;BH,+,-,B,M4,L10,ZPC(WHT),S | 5 | S.N.A | |
| ..2 | M0081 | 6003-001188 | SCREW-TAPTITE;BH,+,-,B,M4,L10,ZPC(WHT),S | 2 | S.N.A | |
| ..2 | M0081 | 6003-001188 | SCREW-TAPTITE;BH,+,-,B,M4,L10,ZPC(WHT),S | 2 | S.N.A | |
| ..2 | M0081 | 6003-001188 | SCREW-TAPTITE;BH,+,-,B,M4,L10,ZPC(WHT),S | 1 | S.N.A | |
| ..2 | M0081 | 6003-001188 | SCREW-TAPTITE;BH,+,-,B,M4,L10,ZPC(WHT),S | 2 | S.N.A | |
| ..2 | M0081 | 6003-001439 | SCREW-TAPTITE;BH,+,-,S,M4,L8,ZPC(WHT),SW | 1 | S.N.A | |
| ..2 | M0081 | 6006-001096 | SCREW-TAPTITE;BH,+,WP,B,M4.0,L12,ZPC(BLK | 2 | S.N.A | |
| ..2 | M2893 | BN39-00674A | LEAD CONNECTOR;LNR469DX/XAA,UL1007#26,5P | 1 | S.A | |
| ..2 | M2893 | BN39-00802F | LEAD CONNECTOR;LE46S86BDX,UL1007#26,24PI | 1 | S.A | |
| ..2 | M2893 | BN39-00851A | LEAD CONNECTOR;LE40M73BD,UL3443 #28,7P,3 | 1 | S.A | |
| ..2 | M2893 | BN39-01021A | LEAD CONNECTOR;LN46A550P,UL1007#26,2pin, | 1 | S.A | |
| ..2 | M0174 | BN44-00199A | IP BOARD;IP-211135,PEARL,15mA,130mA,150H | 1 | S.A | |
| ..2 | M0114 | BN61-02500A | HOLDER-WIRE;NYLON6.6,NATURAL | 1 | S.N.A | |
| ..2 | M0254 | BN61-02875E | HOLDER-SIDE AV;40F8,EO,HIPS V0,-,-,BK5 | 1 | S.N.A | |
| ...3 | | BN81-00199H | RESIN;HIPS HB,BK500,HF-1690H,K2901 | 0.017 | S.N.A | |
| ..2 | M0115 | BN61-02882A | BRACKET-STAND LINK;TULIP,40,SECC,T1.6,-, | 1 | S.N.A | |
| ..2 | M0146 | BN61-03414A | BRACKET-PANEL TOP;PEONY52,SECC T1.2 | 2 | S.N.A | |
| ..2 | T0101 | BN61-03700A | BRACKET-WALL;L450 40INCH,SECC,T1.2,-,-,- | 1 | S.N.A | |
| ..2 | M0107 | BN63-03039A | SHIELD-COVER;MURANO40,PCM,T0.5,IDTV | 1 | S.N.A | |
| ..2 | M0125 | BN96-04817B | ASSY INLET P;LNT4081FX,XAA,250mm,250mm,- | 1 | S.A | |
| ..2 | T0175 | BN96-06809B | ASSY SPEAKER P;8ohm,L530 40"/46",Down Fi | 1 | S.A | |
| ..2 | T0447 | BN96-06960A | ASSY BRACKET P-PANEL;40A450C,SECC,T1.0,C | 1 | S.N.A | |
| ...3 | M0081 | 6003-001188 | SCREW-TAPTITE;BH,+,-,B,M4,L10,ZPC(WHT),S | 1 | S.N.A | |
| ...3 | M0081 | 6003-001188 | SCREW-TAPTITE;BH,+,-,B,M4,L10,ZPC(WHT),S | 1 | S.N.A | |
| ...3 | M0081 | 6003-001188 | SCREW-TAPTITE;BH,+,-,B,M4,L10,ZPC(WHT),S | 2 | S.N.A | |
| ...3 | M0131 | AA63-01438A | GASKET;Bordeaux,Conductive Fabric,7mm,8m | 1 | S.N.A | |
| ...3 | | BN61-02879A | BRACKET-GUIDE MAIN;TULIP,40,SECC,T1.2,-, | 1 | S.N.A | |
| ...3 | | BN61-02880A | BRACKET-GUIDE POWER R;TULIP,40,SECC,T1.2 | 1 | S.N.A | |
| ...3 | | BN61-02881A | BRACKET-GUIDE POWER L;TULIP,40,SECC,T1.2 | 1 | S.N.A | |
| ...3 | | BN61-03697A | BRACKET-GUIDE POWER R;L450 40INCH,SECC,T | 1 | S.N.A | |
| ...3 | | BN61-03861A | BRACKET-PANEL BOTTOM;L450 40INCH,SECC,T1 | 1 | S.N.A | |
| ...3 | M0131 | BN63-03519A | GASKET;Tulip,Conductive Fabric,10,14,300 | 3 | S.N.A | |
| ..2 | M0214 | BN96-07161J | ASSY CABLE P-FLAT LVDS;LE40A556P1FXXC,FF | 1 | S.A | |
| ..2 | M0114 | BN61-01025A | HOLDER-WIRE;SPD-50P4,DAWS-6NB | 2 | S.N.A | |
| | | | | | | |
| 0.1 | | BN91-02030A | ASSY LCD-AUO;LE40A556P1FX/XC,T400HW02 V1 | 1 | S.N.A | |
| ..2 | M0215 | BN07-00516A | LCD-PANEL;T400HW02 V1,8bit,40inch,16.7M, | 1 | S.A | |
| | | | | | | |
| 0.1 | M0003 | BN92-03225G | ASSY BOX;40L530,EO(iDTV),P4 | 1 | S.N.A | |
| ..2 | M0521 | BN69-02287A | BOX-SET,IN;L450-40,CB,A1,DY-01,W1463,D75 | 1 | S.N.A | |
| ..2 | | BN69-02681A | BOX-SET,OUT;40L550P4,CB,C-03,DW-75,YEL,W | 1 | S.N.A | |
| | | | | | | |
| 0.1 | M0113 | BN92-03230B | ASSY P/MATERIAL;40L530,W/W | 1 | S.N.A | |
| ..2 | T0524 | 6902-000524 | BAG PE;HDPE/NITRON,T0.015/T0.5,W1200,L11 | 1 | S.N.A | |
| ..2 | T0003 | 6902-000604 | BAG WRAPPING;LDPE,T0.02,W500,L10000,TRP, | 7.5 | S.N.A | |
| ..2 | | 6922-000003 | BAND PP;PP,T0.8,W18,L1650M,TRP,DA69-9014 | 4.83 | S.N.A | |
| ..2 | T0214 | BN74-00008A | TAPE-OPP MASKING;OPP-2,T0.05,W100,L800M, | 1.23 | S.N.A | |
| ..2 | T0214 | AA61-20285C | HOLDER-BOX;CORAL,PP,BLACK,HB | 2 | S.N.A | |

5. Exploded View & Part List

| Level | Location No. | Code No. | Description & Specification | Q'ty | SA/SNA | Remark |
|-------|--------------|-------------|--|-------|--------|--------|
| 0.1 | M0019 | BN92-03261F | ASSY LABEL;LE40A557P2FX* | 1 | S.N.A | |
| 0.1 | M0045 | BN92-03267E | ASSY ACCESSORY;LE37A558P3FXXC | 1 | S.A | |
| ..2 | M0045 | BN96-07178A | ASSY ACCESSORY-MANUAL;LE46A556P1FXXC,N46 | 1 | S.A | |
| ...3 | T0524 | 6902-000110 | BAG PE;LDPE,T0.05,W250,L400,TRP,28,2 | 1 | S.N.A | |
| ...3 | T0210 | AA68-03242K | MANUAL FLYER-01,SAFETY GUIDE;comm,Samsun | 1 | S.N.A | |
| ...3 | | AA68-03575A | MANUAL FLYER-02,REGISTRATION C;XEU,ENG,U | 1 | S.N.A | |
| ...3 | | AA68-03575B | MANUAL FLYER-02,REGISTRATION C;XEG,GERMA | 1 | S.N.A | |
| ...3 | | AA68-03575C | MANUAL FLYER-02,REGISTRATION C;XEF,FRENC | 1 | S.N.A | |
| ...3 | | AA68-03575D | MANUAL FLYER-03,REGISTRATION C;XEC,SPANI | 1 | S.N.A | |
| ...3 | | AA68-03575E | MANUAL FLYER-04,REGISTRATION C;XET,ITALY | 1 | S.N.A | |
| ...3 | | AA68-03575F | MANUAL FLYER-02,REGISTRATION C;XEN,DUTCH | 1 | S.N.A | |
| ...3 | | AA68-03575G | MANUAL FLYER-02,REGISTRATION C;XEP,PORTU | 1 | S.N.A | |
| ...3 | | BN68-00514E | MANUAL FLYER-00,WARRANTY CARD;comm,Samsu | 1 | S.N.A | |
| ...3 | T0511 | BN68-01409A | MANUAL USERS;COMM,SAMSUNG,8Language,W.Eu | 1 | S.N.A | |
| ..2 | M0045 | BN96-07178G | ASSY ACCESSORY-CABLE;LE37A558P3FXXC | 1 | S.A | |
| ...3 | T0268 | 3903-000145 | CBF-POWER CORD;DT,EU,FP3/YES,U(IEC C13-R | 1 | S.A | |
| ...3 | T0524 | 6902-000110 | BAG PE;LDPE,T0.05,W250,L400,TRP,28,2 | 1 | S.N.A | |
| ...3 | T0074 | BN59-00683A | REMOCON;TM-96B,49,EUROPE_DTV-550 | 1 | S.A | |
| ...3 | | BN63-01798A | CLOTH-CLEAN;RE40**,CLOTH,180,200,RHCM | 1 | S.N.A | |
| ...3 | T0531 | BN63-04437A | COVER-BOTTOM;37,40L550,P2,P3,P4,HIPS,-,- | 1 | S.N.A | |
|4 | | BN81-00199H | RESIN;HIPS HB,BK500,HF-1690H,K2901 | 0.053 | S.N.A | |

5-9. LE46A55*P Parts List

| Level | Location No. | Code No. | Description & Specification | Q'ty | SA/SNA | Remark |
|-------|--------------|----------------|--|-------|--------|--------|
| 0 | | LE46A558P3FXXC | LE46A558P3F,N46A/46AP3-GPR,46,LCD-TV,SPA | 0 | S.A | |
| 0.1 | M0001 | BN90-01548F | ASSY COVER FRONT;46L530,EO(iDTV),P3 | 1 | S.N.A | |
| ..2 | T0003 | BN96-06928C | ASSY COVER P-FRONT;46L530,P3,EO(iDTV),AB | 1 | S.A | |
| ...3 | M0081 | 6003-001188 | SCREW-TAPTITE;BH,+,-,B,M4,L10,ZPC(WHT),S | 1 | S.N.A | |
| ...3 | M0081 | 6003-001188 | SCREW-TAPTITE;BH,+,-,B,M4,L10,ZPC(WHT),S | 2 | S.N.A | |
| ...3 | T0069 | AA60-00171V | SPACER-FELT;BE46PS,FELT,500,T0.35,10 | 2 | S.N.A | |
| ...3 | CCM1 | BN63-02183E | COVER-SHEET;Rhcm,PE Vinyl,T0.05,750mm,20 | 0.924 | S.N.A | |
| ...3 | M0112 | BN63-04372C | COVER-FRONT;46L550,P2,P3,P4,EO(iDTV),ABS | 1 | S.N.A | |
|4 | | BN81-00204P | RESIN-HIGH GLOSS;SF-0505,K21294,ABS HB P | 1.65 | S.N.A | |
| ...3 | T0059 | BN64-00379A | INDICATOR LED;ROME-II,23,PC,CLEAR | 1 | S.N.A | |
| ...3 | T0061 | BN64-00453A | WINDOW-REMOCON;32R71,PC,V0,VIOLET,DIFFUS | 1 | S.N.A | |
| ...3 | T0022 | BN64-00755A | KNOB-CONTROL;32L450,ABS,V0,BK07 | 1 | S.N.A | |
|4 | | BH83-00150P | CKD-ABS HB;HF-0680U,K2331 | 0.037 | S.N.A | |
| ...3 | | BN64-00868A | DECORATION-BOTTOM;46-L530-3,GARNET,ABS,H | 1 | S.N.A | |
|4 | | BN81-00187A | RESIN;ABS HB GR503,HF-0680U,G4309 | 0.2 | S.N.A | |
| ...3 | | BN96-06933B | ASSY HOLDER P-BOSS;46L530,HIPS,HB,BK500 | 1 | S.N.A | |
|4 | | BN61-03261N | BOSS-TAPE;AMBER,ACRYL,T1.1,W20.0mm,WHITE | 0.95 | S.N.A | |
|4 | | BN61-03890B | HOLDER-BOSS BOTTOM;46L530,HIPS,HB,BK500 | 1 | S.N.A | |
|5 | | BN81-00199H | RESIN;HIPS HB,BK500,HF-1690H,K2901 | 205.7 | S.N.A | |
| ...3 | M0145 | BN96-07269A | ASSY BOARD P-FUNCTION;LN40A450C1D,CT5000 | 1 | S.A | |
| ...3 | M0146 | BN96-07270F | ASSY BOARD P-POWER & IR;LE32A656P1F,CT50 | 1 | S.A | |
| 0.1 | M0216 | BN90-01558A | ASSY STAND;46L530 | 1 | S.N.A | |
| ..2 | T0081 | 6002-001294 | SCREW-TAPPING;BH,+,,M4,L16,ZPC(BLK) | 4 | S.A | |
| ..2 | M0027 | BN96-06936A | ASSY STAND P-BASE;46,L530,ABS+PMMA,HB,BK | 1 | S.A | |
| ...3 | T0081 | 6002-001294 | SCREW-TAPPING;BH,+,,M4,L16,ZPC(BLK) | 4 | S.A | |
| ...3 | M0081 | 6003-001239 | SCREW-TAPTITE;FH,+,-,B,M4,L10,ZPC(WHT),S | 8 | S.A | |
| ...3 | | BN61-02533A | HOLDER-SWIVEL RING;46M7 EO,ACETAL,NATUAL | 1 | S.N.A | |
| ...3 | | BN61-02534A | HOLDER-SWIVEL RING;46M7 EO,ACETAL,NATUAL | 1 | S.N.A | |
| ...3 | | BN61-02536A | BRACKET-HINGE SWIVEL;46M7 EO,HG,T3.0 | 1 | S.N.A | |
| ...3 | | BN61-03787A | BRACKET-STAND-BOTTOM;AMBER 46,SECC,T3.0, | 1 | S.N.A | |
| ...3 | T0920 | BN61-03889A | GUIDE-STAND;GUIDE-STAND 46 L530,PC,BLK,G | 1 | S.N.A | |
|4 | | BN81-00204H | RESIN;Trirex,3025G20 BK,ABS+PC G/F 20%,4 | 0.407 | S.N.A | |
| ...3 | CCM1 | BN63-02183F | COVER-SHEET;Rhcm,PE Vinyl,T0.05,900mm,20 | 0.45 | S.N.A | |
| ...3 | T0004 | BN63-04276B | COVER-STAND BASE;46AA1,ABS+PMMA,HB,BK23, | 1 | S.N.A | |
|4 | | BN81-00204P | RESIN-HIGH GLOSS;SF-0505,K21294,ABS HB P | 0.764 | S.N.A | |
| ...3 | T0132 | BN73-00052A | RUBBER FOOT;ARES 17,CR Rubber Gray,T1.5 | 4 | S.N.A | |
| 0.1 | M0002 | BN90-01607B | ASSY COVER REAR;46L530,EO(iDTV) | 1 | S.N.A | |
| ..2 | T0081 | 6002-001294 | SCREW-TAPPING;BH,+,,M4,L16,ZPC(BLK) | 14 | S.A | |
| ..2 | T0081 | 6002-001294 | SCREW-TAPPING;BH,+,,M4,L16,ZPC(BLK) | 2 | S.A | |
| ..2 | C/REAR+H/W | 6011-001610 | BOLT-ETC;M8,L18,ZPC(BLK),SWRCH18A,WSP,PH | 4 | S.N.A | |
| ..2 | M0013 | BN96-06950B | ASSY COVER P-REAR;46L530,EO(iDTV),HIPS,H | 1 | S.A | |
| ...3 | M0006 | BN63-04377B | COVER-REAR;46L530,EO(iDTV),HIPS,HB,BK500 | 1 | S.N.A | |
|4 | | BN81-00199H | RESIN;HIPS HB,BK500,HF-1690H,K2901 | 2.571 | S.N.A | |
| ...3 | T0071 | BN64-00806C | INLAY-TERMINAL;46L550P3,EO(iDTV),PS SHEE | 1 | S.N.A | |
| ...3 | T0064 | BN65-00002A | CLAMPER CORE;BORDEAUX,LDPE,-,-,BLK,- | 1 | S.N.A | |

| Level | Location No. | Code No. | Description & Specification | Q'ty | SA/SNA | Remark |
|-------|--------------|-------------|---|-------|--------|--------|
| 0.1 | M0017 | BN91-02016C | ASSY CHASSIS;LE46A556P1FX/XC,AUO | 1 | S.N.A | |
| ..2 | M0014 | BN94-01656C | ASSY PCB MAIN-AUO;LE46A556P1FX,N46A | 1 | S.A | |
| ...3 | T0245 | 0202-001608 | SOLDER-WIRE FLUX;LFC7-107,D0.8,99.3Sn/0. | 1.25 | S.N.A | |
| ...3 | JA3208_OP | 3701-001480 | CONNECTOR-DSUB;15P,3R,FEMALE,STAMPED PIN | 1 | S.A | |
| ...3 | CN906 | 3707-001081 | CONNECTOR-OPTICAL;STRAIGHT,SPDIF | 1 | S.A | |
| ...3 | JA7201 | 3709-001508 | CONNECTOR-CARD SLOT;68P,1.27mm,PIN,PCMCIA | 1 | S.A | |
| ...3 | CN330 | 3711-000058 | HEADER-BOARD TO CABLE;BOX,4P,1R,2.5MM,AN | 1 | S.A | |
| ...3 | CN330 | 3711-004349 | HEADER-BOARD TO CABLE;BOX,3P,1R,2mm,STRA | 1 | S.A | |
| ...3 | CN330 | 3711-004379 | HEADER-BOARD TO CABLE;BOX,4P,1R,2mm,STRA | 1 | S.A | |
| ...3 | CN330 | 3711-004379 | HEADER-BOARD TO CABLE;BOX,4P,1R,2mm,STRA | 1 | S.A | |
| ...3 | CN330 | 3711-004484 | HEADER-BOARD TO CABLE;BOX,5P,1R,2mm,STRA | 1 | S.A | |
| ...3 | CN330 | 3711-004531 | HEADER-BOARD TO CABLE;BOX,10P,1R,2mm,ANG | 1 | S.A | |
| ...3 | CN330 | 3711-004712 | HEADER-BOARD TO CABLE;BOX,9P,1R,2mm,STRA | 1 | S.A | |
| ...3 | CN330 | 3711-005842 | HEADER-BOARD TO CABLE;BOX,24P,2R,2MM,STR | 1 | S.A | |
| ...3 | JA330 | 3722-001061 | JACK-PHONE;1P,3.6PI,AG,BLK,N | 1 | S.A | |
| ...3 | JA330 | 3722-001061 | JACK-PHONE;1P,3.6PI,AG,BLK,N | 1 | S.A | |
| ...3 | JA3202 | 3722-002681 | JACK-SCART;42P,SN,BLK | 1 | S.A | |
| ...3 | JA333 | 3722-002691 | JACK-PIN;2P,Ni,WHT/RED,STRAIGHT | 1 | S.A | |
| ...3 | JA333 | 3722-002691 | JACK-PIN;2P,Ni,WHT/RED,STRAIGHT | 1 | S.A | |
| ...3 | JA333 | 3722-002691 | JACK-PIN;2P,Ni,WHT/RED,STRAIGHT | 1 | S.A | |
| ...3 | JA333 | 3722-002703 | JACK-PIN;3P,Ni,GRN/BLU/RED,STRAIGHT | 1 | S.A | |
| ...3 | CIS3 | BN40-00120A | TUNER;TDHG6-K10A,TDHG6-K10A,DVB-T,181CH, | 1 | S.A | |
| ...3 | HDCP | BN97-00688B | ASSY HDCP;MT8202 IC HDCP Key' | 1 | S.N.A | |
| ...4 | | BN46-00018A | KEY CODE-CERTIFICATE;(HDCP KEY)PPM42M5S, | 1 | S.N.A | |
| ...3 | T0174 | BN97-02033C | ASSY SMD;LE46A556P1F/*,N46A | 1 | S.N.A | |
| ...4 | SUB05 | 0202-001477 | SOLDER-CREAM;LST309-M,-,D20-45##,96.5Sn/ | 2.999 | S.N.A | |
| ...4 | D1104 | 0401-001056 | DIODE-SWITCHING;MMBD4148SE,100V,200mA,SO | 1 | S.A | |
| ...4 | D3101 | 0401-001056 | DIODE-SWITCHING;MMBD4148SE,100V,200mA,SO | 1 | S.A | |
| ...4 | D3102 | 0401-001056 | DIODE-SWITCHING;MMBD4148SE,100V,200mA,SO | 1 | S.A | |
| ...4 | D3103 | 0401-001056 | DIODE-SWITCHING;MMBD4148SE,100V,200mA,SO | 1 | S.A | |
| ...4 | D3104 | 0401-001056 | DIODE-SWITCHING;MMBD4148SE,100V,200mA,SO | 1 | S.A | |
| ...4 | D3105 | 0401-001056 | DIODE-SWITCHING;MMBD4148SE,100V,200mA,SO | 1 | S.A | |
| ...4 | D3106 | 0401-001056 | DIODE-SWITCHING;MMBD4148SE,100V,200mA,SO | 1 | S.A | |
| ...4 | D3108 | 0401-001056 | DIODE-SWITCHING;MMBD4148SE,100V,200mA,SO | 1 | S.A | |
| ...4 | D3109 | 0401-001056 | DIODE-SWITCHING;MMBD4148SE,100V,200mA,SO | 1 | S.A | |
| ...4 | D3144 | 0401-001056 | DIODE-SWITCHING;MMBD4148SE,100V,200mA,SO | 1 | S.A | |
| ...4 | D3146 | 0401-001056 | DIODE-SWITCHING;MMBD4148SE,100V,200mA,SO | 1 | S.A | |
| ...4 | D3147 | 0401-001056 | DIODE-SWITCHING;MMBD4148SE,100V,200mA,SO | 1 | S.A | |
| ...4 | D3149 | 0401-001056 | DIODE-SWITCHING;MMBD4148SE,100V,200mA,SO | 1 | S.A | |
| ...4 | D3150 | 0401-001056 | DIODE-SWITCHING;MMBD4148SE,100V,200mA,SO | 1 | S.A | |
| ...4 | D3151 | 0401-001056 | DIODE-SWITCHING;MMBD4148SE,100V,200mA,SO | 1 | S.A | |
| ...4 | D3152 | 0401-001056 | DIODE-SWITCHING;MMBD4148SE,100V,200mA,SO | 1 | S.A | |
| ...4 | D3153 | 0401-001056 | DIODE-SWITCHING;MMBD4148SE,100V,200mA,SO | 1 | S.A | |
| ...4 | D3154 | 0401-001056 | DIODE-SWITCHING;MMBD4148SE,100V,200mA,SO | 1 | S.A | |
| ...4 | D3155 | 0401-001056 | DIODE-SWITCHING;MMBD4148SE,100V,200mA,SO | 1 | S.A | |
| ...4 | D3158 | 0401-001056 | DIODE-SWITCHING;MMBD4148SE,100V,200mA,SO | 1 | S.A | |
| ...4 | D3159 | 0401-001056 | DIODE-SWITCHING;MMBD4148SE,100V,200mA,SO | 1 | S.A | |
| ...4 | D3161 | 0401-001056 | DIODE-SWITCHING;MMBD4148SE,100V,200mA,SO | 1 | S.A | |
| ...4 | D3162 | 0401-001056 | DIODE-SWITCHING;MMBD4148SE,100V,200mA,SO | 1 | S.A | |
| ...4 | D3163 | 0401-001056 | DIODE-SWITCHING;MMBD4148SE,100V,200mA,SO | 1 | S.A | |
| ...4 | D3165 | 0401-001056 | DIODE-SWITCHING;MMBD4148SE,100V,200mA,SO | 1 | S.A | |

5. Exploded View & Part List

| Level | Location No. | Code No. | Description & Specification | Q'ty | SA/SNA | Remark |
|-------|--------------|-------------|--|------|--------|--------|
| ...4 | D3166 | 0401-001056 | DIODE-SWITCHING;MMBD4148SE,100V,200mA,SO | 1 | S.A | |
| ...4 | D3168 | 0401-001056 | DIODE-SWITCHING;MMBD4148SE,100V,200mA,SO | 1 | S.A | |
| ...4 | D3170 | 0401-001056 | DIODE-SWITCHING;MMBD4148SE,100V,200mA,SO | 1 | S.A | |
| ...4 | D3173 | 0401-001056 | DIODE-SWITCHING;MMBD4148SE,100V,200mA,SO | 1 | S.A | |
| ...4 | D3195 | 0401-001056 | DIODE-SWITCHING;MMBD4148SE,100V,200mA,SO | 1 | S.A | |
| ...4 | D3196 | 0401-001056 | DIODE-SWITCHING;MMBD4148SE,100V,200mA,SO | 1 | S.A | |
| ...4 | D3197 | 0401-001056 | DIODE-SWITCHING;MMBD4148SE,100V,200mA,SO | 1 | S.A | |
| ...4 | D3198 | 0401-001056 | DIODE-SWITCHING;MMBD4148SE,100V,200mA,SO | 1 | S.A | |
| ...4 | D3200 | 0401-001056 | DIODE-SWITCHING;MMBD4148SE,100V,200mA,SO | 1 | S.A | |
| ...4 | D3201 | 0401-001056 | DIODE-SWITCHING;MMBD4148SE,100V,200mA,SO | 1 | S.A | |
| ...4 | D3202 | 0401-001056 | DIODE-SWITCHING;MMBD4148SE,100V,200mA,SO | 1 | S.A | |
| ...4 | D3203 | 0401-001056 | DIODE-SWITCHING;MMBD4148SE,100V,200mA,SO | 1 | S.A | |
| ...4 | D3204 | 0401-001056 | DIODE-SWITCHING;MMBD4148SE,100V,200mA,SO | 1 | S.A | |
| ...4 | D3206 | 0401-001056 | DIODE-SWITCHING;MMBD4148SE,100V,200mA,SO | 1 | S.A | |
| ...4 | D3207 | 0401-001056 | DIODE-SWITCHING;MMBD4148SE,100V,200mA,SO | 1 | S.A | |
| ...4 | D3254 | 0401-001056 | DIODE-SWITCHING;MMBD4148SE,100V,200mA,SO | 1 | S.A | |
| ...4 | D3255 | 0401-001056 | DIODE-SWITCHING;MMBD4148SE,100V,200mA,SO | 1 | S.A | |
| ...4 | D3256 | 0401-001056 | DIODE-SWITCHING;MMBD4148SE,100V,200mA,SO | 1 | S.A | |
| ...4 | D5501_CEC | 0401-001056 | DIODE-SWITCHING;MMBD4148SE,100V,200mA,SO | 1 | S.A | |
| ...4 | D2105 | 0401-001099 | DIODE-SWITCHING;1N4148WS,75V,150mA,SOD-3 | 1 | S.A | |
| ...4 | D2106 | 0401-001099 | DIODE-SWITCHING;1N4148WS,75V,150mA,SOD-3 | 1 | S.A | |
| ...4 | D2201 | 0401-001099 | DIODE-SWITCHING;1N4148WS,75V,150mA,SOD-3 | 1 | S.A | |
| ...4 | D3118 | 0401-001099 | DIODE-SWITCHING;1N4148WS,75V,150mA,SOD-3 | 1 | S.A | |
| ...4 | D3120 | 0401-001099 | DIODE-SWITCHING;1N4148WS,75V,150mA,SOD-3 | 1 | S.A | |
| ...4 | D3123 | 0401-001099 | DIODE-SWITCHING;1N4148WS,75V,150mA,SOD-3 | 1 | S.A | |
| ...4 | D5104 | 0401-001099 | DIODE-SWITCHING;1N4148WS,75V,150mA,SOD-3 | 1 | S.A | |
| ...4 | D5105 | 0401-001099 | DIODE-SWITCHING;1N4148WS,75V,150mA,SOD-3 | 1 | S.A | |
| ...4 | D5201 | 0401-001099 | DIODE-SWITCHING;1N4148WS,75V,150mA,SOD-3 | 1 | S.A | |
| ...4 | D0254 | 0402-000553 | DIODE-SCHOTTKY;SS24/B240,40V,2000mA,DO-2 | 1 | S.A | |
| ...4 | D0254 | 0402-000553 | DIODE-SCHOTTKY;SS24/B240,40V,2000mA,DO-2 | 1 | S.A | |
| ...4 | D1211_NCMO | 0402-001098 | DIODE-RECTIFIER;SK34,40V,3A,SMC,TP | 1 | S.A | |
| ...4 | D2107 | 0403-000002 | DIODE-ZENER;VLZ5V6B,5.45/5.73V,500mW,SOD | 1 | S.A | |
| ...4 | D3115 | 0403-000002 | DIODE-ZENER;VLZ5V6B,5.45/5.73V,500mW,SOD | 1 | S.A | |
| ...4 | D3125 | 0403-000002 | DIODE-ZENER;VLZ5V6B,5.45/5.73V,500mW,SOD | 1 | S.A | |
| ...4 | D3126 | 0403-000002 | DIODE-ZENER;VLZ5V6B,5.45/5.73V,500mW,SOD | 1 | S.A | |
| ...4 | D3129 | 0403-000002 | DIODE-ZENER;VLZ5V6B,5.45/5.73V,500mW,SOD | 1 | S.A | |
| ...4 | D3132 | 0403-000002 | DIODE-ZENER;VLZ5V6B,5.45/5.73V,500mW,SOD | 1 | S.A | |
| ...4 | D3134 | 0403-000002 | DIODE-ZENER;VLZ5V6B,5.45/5.73V,500mW,SOD | 1 | S.A | |
| ...4 | D3137 | 0403-000002 | DIODE-ZENER;VLZ5V6B,5.45/5.73V,500mW,SOD | 1 | S.A | |
| ...4 | D3148 | 0403-000002 | DIODE-ZENER;VLZ5V6B,5.45/5.73V,500mW,SOD | 1 | S.A | |
| ...4 | D3205 | 0403-000002 | DIODE-ZENER;VLZ5V6B,5.45/5.73V,500mW,SOD | 1 | S.A | |
| ...4 | D5103 | 0403-000002 | DIODE-ZENER;VLZ5V6B,5.45/5.73V,500mW,SOD | 1 | S.A | |
| ...4 | D5111 | 0403-000258 | DIODE-ZENER;BZX84C5V6,5.2-6V,225mW,SOT-2 | 1 | S.A | |
| ...4 | D5101 | 0403-000584 | DIODE-ZENER;VLZ3V6B,3.6/3.845V,500mW,SOD | 1 | S.N.A | |
| ...4 | D3141 | 0403-000771 | DIODE-ZENER;VLZ6V2B,5.96-6.27V,500mW,SOD | 1 | S.A | |
| ...4 | D3156 | 0403-000771 | DIODE-ZENER;VLZ6V2B,5.96-6.27V,500mW,SOD | 1 | S.A | |
| ...4 | D3191 | 0403-000771 | DIODE-ZENER;VLZ6V2B,5.96-6.27V,500mW,SOD | 1 | S.A | |
| ...4 | D3199 | 0403-001052 | DIODE-ZENER;RD8.2MB,7.7-8.7V,200mW,SOT-2 | 1 | S.A | |
| ...4 | D1111 | 0403-001425 | DIODE-ZENER;BZX84C33,31-35V,350mW,SOT-23 | 1 | S.A | |
| ...4 | D0254 | 0404-001404 | DIODE-SCHOTTKY;BAT721C,40V,200mA,SOT-23, | 1 | S.A | |
| ...4 | D0254 | 0404-001404 | DIODE-SCHOTTKY;BAT721C,40V,200mA,SOT-23, | 1 | S.A | |

5. Exploded View & Part List

| Level | Location No. | Code No. | Description & Specification | Q'ty | SA/SNA | Remark |
|-------|--------------|-------------|--|------|--------|--------|
| ...4 | D0254 | 0404-001404 | DIODE-SCHOTTKY;BAT721C,40V,200mA,SOT-23, | 1 | S.A | |
| ...4 | D3119 | 0406-001172 | DIODE-TVS;CDS3C30GTH,48/-/50V,SMD | 1 | S.A | |
| ...4 | D3122 | 0406-001172 | DIODE-TVS;CDS3C30GTH,48/-/50V,SMD | 1 | S.A | |
| ...4 | D3138 | 0406-001172 | DIODE-TVS;CDS3C30GTH,48/-/50V,SMD | 1 | S.A | |
| ...4 | D3139 | 0406-001172 | DIODE-TVS;CDS3C30GTH,48/-/50V,SMD | 1 | S.A | |
| ...4 | D3179 | 0406-001172 | DIODE-TVS;CDS3C30GTH,48/-/50V,SMD | 1 | S.A | |
| ...4 | D3180 | 0406-001172 | DIODE-TVS;CDS3C30GTH,48/-/50V,SMD | 1 | S.A | |
| ...4 | D3251 | 0406-001172 | DIODE-TVS;CDS3C30GTH,48/-/50V,SMD | 1 | S.A | |
| ...4 | D3252 | 0406-001172 | DIODE-TVS;CDS3C30GTH,48/-/50V,SMD | 1 | S.A | |
| ...4 | D3208 | 0406-001181 | DIODE-TVS;NUP4201MR6,6/-/5V,500W,TSOP-6 | 1 | S.A | |
| ...4 | D2104 | 0407-000123 | DIODE-ARRAY;DAN202K,80V,100mA,CA2-3,SOT- | 1 | S.A | |
| ...4 | D2108 | 0407-000123 | DIODE-ARRAY;DAN202K,80V,100mA,CA2-3,SOT- | 1 | S.A | |
| ...4 | D2110 | 0407-000123 | DIODE-ARRAY;DAN202K,80V,100mA,CA2-3,SOT- | 1 | S.A | |
| ...4 | D7201 | 0407-000123 | DIODE-ARRAY;DAN202K,80V,100mA,CA2-3,SOT- | 1 | S.A | |
| ...4 | D7202 | 0407-000123 | DIODE-ARRAY;DAN202K,80V,100mA,CA2-3,SOT- | 1 | S.A | |
| ...4 | D7203 | 0407-000123 | DIODE-ARRAY;DAN202K,80V,100mA,CA2-3,SOT- | 1 | S.A | |
| ...4 | D7204 | 0407-000123 | DIODE-ARRAY;DAN202K,80V,100mA,CA2-3,SOT- | 1 | S.A | |
| ...4 | D7205 | 0407-000123 | DIODE-ARRAY;DAN202K,80V,100mA,CA2-3,SOT- | 1 | S.A | |
| ...4 | D7206 | 0407-000123 | DIODE-ARRAY;DAN202K,80V,100mA,CA2-3,SOT- | 1 | S.A | |
| ...4 | Q7001 | 0501-000002 | TR-SMALL SIGNAL;KSA812,PNP,150MW,SOT-23, | 1 | S.A | |
| ...4 | Q7002 | 0501-000002 | TR-SMALL SIGNAL;KSA812,PNP,150MW,SOT-23, | 1 | S.A | |
| ...4 | Q5201 | 0501-000434 | TR-SMALL SIGNAL;KTC3875S-GR,NPN,150mW,SO | 1 | S.A | |
| ...4 | Q7402 | 0501-000434 | TR-SMALL SIGNAL;KTC3875S-GR,NPN,150mW,SO | 1 | S.A | |
| ...4 | Q1104 | 0501-000445 | TR-SMALL SIGNAL;KTC3875S-Y,NPN,150mW,SOT | 1 | S.A | |
| ...4 | Q1111 | 0501-000445 | TR-SMALL SIGNAL;KTC3875S-Y,NPN,150mW,SOT | 1 | S.A | |
| ...4 | Q2102 | 0501-000445 | TR-SMALL SIGNAL;KTC3875S-Y,NPN,150mW,SOT | 1 | S.A | |
| ...4 | Q3101 | 0501-000445 | TR-SMALL SIGNAL;KTC3875S-Y,NPN,150mW,SOT | 1 | S.A | |
| ...4 | Q3102 | 0501-000445 | TR-SMALL SIGNAL;KTC3875S-Y,NPN,150mW,SOT | 1 | S.A | |
| ...4 | Q3106 | 0501-000445 | TR-SMALL SIGNAL;KTC3875S-Y,NPN,150mW,SOT | 1 | S.A | |
| ...4 | Q3107 | 0501-000445 | TR-SMALL SIGNAL;KTC3875S-Y,NPN,150mW,SOT | 1 | S.A | |
| ...4 | Q3111 | 0501-000445 | TR-SMALL SIGNAL;KTC3875S-Y,NPN,150mW,SOT | 1 | S.A | |
| ...4 | Q3112 | 0501-000445 | TR-SMALL SIGNAL;KTC3875S-Y,NPN,150mW,SOT | 1 | S.A | |
| ...4 | Q3113 | 0501-000445 | TR-SMALL SIGNAL;KTC3875S-Y,NPN,150mW,SOT | 1 | S.A | |
| ...4 | Q3114 | 0501-000445 | TR-SMALL SIGNAL;KTC3875S-Y,NPN,150mW,SOT | 1 | S.A | |
| ...4 | Q3151_NPN | 0501-000445 | TR-SMALL SIGNAL;KTC3875S-Y,NPN,150mW,SOT | 1 | S.A | |
| ...4 | Q3152_NPN | 0501-000445 | TR-SMALL SIGNAL;KTC3875S-Y,NPN,150mW,SOT | 1 | S.A | |
| ...4 | Q5104 | 0501-000445 | TR-SMALL SIGNAL;KTC3875S-Y,NPN,150mW,SOT | 1 | S.A | |
| ...4 | Q5108 | 0501-000445 | TR-SMALL SIGNAL;KTC3875S-Y,NPN,150mW,SOT | 1 | S.A | |
| ...4 | Q5109 | 0501-000445 | TR-SMALL SIGNAL;KTC3875S-Y,NPN,150mW,SOT | 1 | S.A | |
| ...4 | Q5202 | 0501-000445 | TR-SMALL SIGNAL;KTC3875S-Y,NPN,150mW,SOT | 1 | S.A | |
| ...4 | Q6101_DIM | 0501-000445 | TR-SMALL SIGNAL;KTC3875S-Y,NPN,150mW,SOT | 1 | S.A | |
| ...4 | Q2101 | 0501-000669 | TR-SMALL SIGNAL;KTA1505Y,PNP,150mW,SOT-2 | 1 | S.A | |
| ...4 | Q2103 | 0501-000669 | TR-SMALL SIGNAL;KTA1505Y,PNP,150mW,SOT-2 | 1 | S.A | |
| ...4 | Q3104 | 0501-000669 | TR-SMALL SIGNAL;KTA1505Y,PNP,150mW,SOT-2 | 1 | S.A | |
| ...4 | Q3109 | 0501-000669 | TR-SMALL SIGNAL;KTA1505Y,PNP,150mW,SOT-2 | 1 | S.A | |
| ...4 | Q1101_L | 0501-002080 | TR-SMALL SIGNAL;2SC2412K,NPN,200mW,SC-59 | 1 | S.A | |
| ...4 | Q1102_50HZ | 0501-002080 | TR-SMALL SIGNAL;2SC2412K,NPN,200mW,SC-59 | 1 | S.A | |
| ...4 | Q3103 | 0501-002080 | TR-SMALL SIGNAL;2SC2412K,NPN,200mW,SC-59 | 1 | S.A | |
| ...4 | Q3105 | 0501-002080 | TR-SMALL SIGNAL;2SC2412K,NPN,200mW,SC-59 | 1 | S.A | |
| ...4 | Q3108 | 0501-002080 | TR-SMALL SIGNAL;2SC2412K,NPN,200mW,SC-59 | 1 | S.A | |
| ...4 | Q3110 | 0501-002080 | TR-SMALL SIGNAL;2SC2412K,NPN,200mW,SC-59 | 1 | S.A | |

5. Exploded View & Part List

| Level | Location No. | Code No. | Description & Specification | Q'ty | SA/SNA | Remark |
|-------|--------------|-------------|--|------|--------|--------|
| ...4 | Q3153_NPN | 0501-002080 | TR-SMALL SIGNAL;2SC2412K,NPN,200mW,SC-59 | 1 | S.A | |
| ...4 | Q409 | 0505-000110 | FET-SILICON;2N7002,N,60V,115mA,7.5ohm,0. | 1 | S.A | |
| ...4 | Q409 | 0505-000110 | FET-SILICON;2N7002,N,60V,115mA,7.5ohm,0. | 1 | S.A | |
| ...4 | Q409 | 0505-000110 | FET-SILICON;2N7002,N,60V,115mA,7.5ohm,0. | 1 | S.A | |
| ...4 | Q409 | 0505-000110 | FET-SILICON;2N7002,N,60V,115mA,7.5ohm,0. | 1 | S.A | |
| ...4 | Q409 | 0505-000110 | FET-SILICON;2N7002,N,60V,115mA,7.5ohm,0. | 1 | S.A | |
| ...4 | Q409 | 0505-001170 | FET-SILICON;SI9933ADY-T1,P,-20V,3.4A,0.0 | 1 | S.A | |
| ...4 | IC104 | 0801-002095 | IC-CMOS LOGIC;74LCX245,TRANSCEIVER,TSSOP | 1 | S.A | |
| ...4 | IC104 | 0801-002172 | IC-CMOS LOGIC;74LCX16244,BUFFER/LINE DRI | 1 | S.A | |
| ...4 | IC104 | 0801-002172 | IC-CMOS LOGIC;74LCX16244,BUFFER/LINE DRI | 1 | S.A | |
| ...4 | IC104 | 0801-002172 | IC-CMOS LOGIC;74LCX16244,BUFFER/LINE DRI | 1 | S.A | |
| ...4 | IC104 | 0801-002432 | IC-CMOS LOGIC;74LVC244,8BIT BUFFER/DRIVE | 1 | S.N.A | |
| ...4 | IC104 | 0801-002630 | IC-CMOS LOGIC;74AHCT1G08,2-INPUT AND GAT | 1 | S.A | |
| ...4 | IC104 | 0801-003239 | IC-CMOS LOGIC;74LVC1G00,2-input NAND Gat | 1 | S.A | |
| ...4 | IC104 | 0801-003239 | IC-CMOS LOGIC;74LVC1G00,2-input NAND Gat | 1 | S.A | |
| ...4 | IC5110 | 1001-000164 | IC-ANALOG MULTIPLEX;74HC4052,CMOS,SOP,16 | 1 | S.A | |
| ...4 | IC106 | 1001-001513 | IC-VIDEO SWITCH;TMDS351PAG,TQFP,64P,9x9m | 1 | S.A | |
| ...4 | IC5108 | 1001-001523 | IC-ANALOG MULTIPLEX;74HC4052PW,TSSOP,16P | 1 | S.A | |
| ...4 | IC107 | 1002-001482 | IC-D/A CONVERTER;WM8521H9GED/R,16bit,SOI | 1 | S.A | |
| ...4 | IC2102 | 1002-001509 | IC-A/D&D/A CONVERTER;MT8291,24bit,LQFP,4 | 1 | S.A | |
| ...4 | IC110 | 1006-001076 | IC-DRIVER/RECEIVER;MAX232ECWE+T,SOP,16P, | 1 | S.A | |
| ...4 | IC112 | 1103-000129 | IC-EEPROM;24C02,2Kbit,256x8Bit,SOP,8P,5x | 1 | S.A | |
| ...4 | IC112 | 1103-000129 | IC-EEPROM;24C02,2Kbit,256x8Bit,SOP,8P,5x | 1 | S.A | |
| ...4 | IC112 | 1103-000129 | IC-EEPROM;24C02,2Kbit,256x8Bit,SOP,8P,5x | 1 | S.A | |
| ...4 | IC112 | 1103-001385 | IC-EEPROM;AT24C256,256Kbit,32Kx8,SOP,8P, | 1 | S.A | |
| ...4 | IC112 | 1103-001410 | IC-EEPROM;S-24CS08AFJ-TB-1GE,8Kbit,1Kx8, | 1 | S.A | |
| ...4 | IC113 | 1105-001712 | IC-DRAM;HYB25D256163CE,DDR,256Mbit,16Mx1 | 1 | S.A | |
| ...4 | IC5104 | 1105-001862 | IC-DDR2 SDRAM;K4T56163QI-ZCF7,DDR2 SDRAM | 1 | S.A | |
| ...4 | IC5106 | 1105-001862 | IC-DDR2 SDRAM;K4T56163QI-ZCF7,DDR2 SDRAM | 1 | S.A | |
| ...4 | DU410 | 1201-000166 | IC-OP AMP;LM358,SOP,ST,8P,150MIL,DUAL,10 | 1 | S.A | |
| ...4 | T0124 | 1201-002677 | IC-POWER AMP;NTP3100,QFN56,56P,8x8mm,DUA | 1 | S.A | |
| ...4 | T0087 | 1203-001815 | IC-POSI.FIXED REG.;78M09,TO-252,3P,-,PLA | 1 | S.A | |
| ...4 | T0087 | 1203-002842 | IC-POSI.FIXED REG.;AP1117D-33A,TO-252,3P | 1 | S.A | |
| ...4 | T0087 | 1203-002974 | IC-POSI.FIXED REG.;AP1117D-25A,TO-252,3P | 1 | S.A | |
| ...4 | IC012 | 1203-002995 | IC-POSI.ADJUST REG.;AP1117D-A,TO-252,3P, | 1 | S.A | |
| ...4 | IC012 | 1203-002995 | IC-POSI.ADJUST REG.;AP1117D-A,TO-252,3P, | 1 | S.A | |
| ...4 | IC3104 | 1203-003394 | IC-POWER SUPERVISOR;MIC2544-1YM,SOP,8P,4 | 1 | S.A | |
| ...4 | IC7206 | 1203-003394 | IC-POWER SUPERVISOR;MIC2544-1YM,SOP,8P,4 | 1 | S.A | |
| ...4 | T0087 | 1203-003696 | IC-POSI.FIXED REG.;NCP1117DT18T5G,DPAK,3 | 1 | S.A | |
| ...4 | T0087 | 1203-003696 | IC-POSI.FIXED REG.;NCP1117DT18T5G,DPAK,3 | 1 | S.A | |
| ...4 | IC5102 | 1203-004363 | IC-VOL. DETECTOR;RT9818C-29PV,SOT-23,3P, | 1 | S.A | |
| ...4 | IC2103 | 1203-004364 | IC-VOL. DETECTOR;RT9818C-42PV,SOT-23,3P, | 1 | S.A | |
| ...4 | IC7402 | 1203-004364 | IC-VOL. DETECTOR;RT9818C-42PV,SOT-23,3P, | 1 | S.A | |
| ...4 | T0087 | 1203-004816 | IC-POSI.FIXED REG.;KIA78D015F,DPAK,3P,6. | 1 | S.A | |
| ...4 | T0170 | 1203-004868 | IC-SWITCH VOL. REG.;MP2363,SOIC,8P,4.9x3 | 1 | S.A | |
| ...4 | T0170 | 1203-004868 | IC-SWITCH VOL. REG.;MP2363,SOIC,8P,4.9x3 | 1 | S.A | |
| ...4 | IC012 | 1203-005218 | IC-POSI.ADJUST REG.;AP1086DL,TO-252,3P,6 | 1 | S.A | |
| ...4 | IC118 | 1204-002779 | IC-VIDEO PROCESS;S4LF122X01,PBGA,208P,17 | 1 | S.A | |
| ...4 | IC7001 | 1204-002861 | IC-DECODER;UPD61211GM-104-GAA-A,QFP,216P | 1 | S.A | |
| ...4 | IC118 | 1204-002869 | IC-VIDEO PROCESS;MT8226FJ,BGA,569P,31x31 | 1 | S.A | |
| ...4 | D3107 | 1405-001185 | VARISTOR;24Vdc,1.6x0.8x0.36mm,TP | 1 | S.A | |

5. Exploded View & Part List

| Level | Location No. | Code No. | Description & Specification | Q'ty | SA/SNA | Remark |
|-------|--------------|-------------|--|------|--------|--------|
|4 | R110 | 2007-001313 | R-CHIP;330ohm,5%,1/16W,TP,1005 | 1 | S.N.A | |
|4 | R110 | 2007-001325 | R-CHIP;3.3Kohm,5%,1/16W,TP,1005 | 1 | S.N.A | |
|4 | R110 | 2007-001325 | R-CHIP;3.3Kohm,5%,1/16W,TP,1005 | 1 | S.N.A | |
|4 | R110 | 2007-001325 | R-CHIP;3.3Kohm,5%,1/16W,TP,1005 | 1 | S.N.A | |
|4 | R110 | 2007-001325 | R-CHIP;3.3Kohm,5%,1/16W,TP,1005 | 1 | S.N.A | |
|4 | R110 | 2007-007096 | R-CHIP;160ohm,5%,1/16W,TP,1005 | 1 | S.N.A | |
|4 | R110 | 2007-007226 | R-CHIP;49.9ohm,1%,1/10W,TP,1608 | 1 | S.A | |
|4 | R110 | 2007-007297 | R-CHIP;110ohm,1%,1/10W,TP,1608 | 1 | S.A | |
|4 | R110 | 2007-007297 | R-CHIP;110ohm,1%,1/10W,TP,1608 | 1 | S.A | |
|4 | R110 | 2007-007306 | R-CHIP;100ohm,1%,1/16W,TP,1005 | 1 | S.N.A | |
|4 | R110 | 2007-007306 | R-CHIP;100ohm,1%,1/16W,TP,1005 | 1 | S.N.A | |
|4 | R110 | 2007-007306 | R-CHIP;100ohm,1%,1/16W,TP,1005 | 1 | S.N.A | |
|4 | R110 | 2007-007306 | R-CHIP;100ohm,1%,1/16W,TP,1005 | 1 | S.N.A | |
|4 | R110 | 2007-007306 | R-CHIP;100ohm,1%,1/16W,TP,1005 | 1 | S.N.A | |
|4 | R110 | 2007-007306 | R-CHIP;100ohm,1%,1/16W,TP,1005 | 1 | S.N.A | |
|4 | R110 | 2007-007306 | R-CHIP;100ohm,1%,1/16W,TP,1005 | 1 | S.N.A | |
|4 | R110 | 2007-007306 | R-CHIP;100ohm,1%,1/16W,TP,1005 | 1 | S.N.A | |
|4 | R110 | 2007-007306 | R-CHIP;100ohm,1%,1/16W,TP,1005 | 1 | S.N.A | |
|4 | R110 | 2007-007318 | R-CHIP;1Kohm,1%,1/16W,TP,1005 | 1 | S.N.A | |
|4 | R110 | 2007-007318 | R-CHIP;1Kohm,1%,1/16W,TP,1005 | 1 | S.N.A | |
|4 | R110 | 2007-007318 | R-CHIP;1Kohm,1%,1/16W,TP,1005 | 1 | S.N.A | |
|4 | R110 | 2007-007698 | R-CHIP;5.1KOHM,1%,1/16W,TP,1005 | 1 | S.N.A | |
|4 | R110 | 2007-007723 | R-CHIP;75Kohm,1%,1/10W,TP,1608 | 1 | S.A | |
|4 | RA5104 | 2011-000585 | R-NETWORK;47ohm,5%,1/16W,L,CHIP,8P,TP,3. | 1 | S.A | |
|4 | RA5105 | 2011-000585 | R-NETWORK;47ohm,5%,1/16W,L,CHIP,8P,TP,3. | 1 | S.A | |
|4 | RA5106 | 2011-000585 | R-NETWORK;47ohm,5%,1/16W,L,CHIP,8P,TP,3. | 1 | S.A | |
|4 | RA5107 | 2011-000585 | R-NETWORK;47ohm,5%,1/16W,L,CHIP,8P,TP,3. | 1 | S.A | |
|4 | RA5108 | 2011-000585 | R-NETWORK;47ohm,5%,1/16W,L,CHIP,8P,TP,3. | 1 | S.A | |
|4 | RA5109 | 2011-000585 | R-NETWORK;47ohm,5%,1/16W,L,CHIP,8P,TP,3. | 1 | S.A | |
|4 | RA3101 | 2011-000651 | R-NETWORK;10ohm,5%,1/16W,L,CHIP,8P,TP,32 | 1 | S.A | |
|4 | RA3102 | 2011-000651 | R-NETWORK;10ohm,5%,1/16W,L,CHIP,8P,TP,32 | 1 | S.A | |
|4 | RA3103 | 2011-000651 | R-NETWORK;10ohm,5%,1/16W,L,CHIP,8P,TP,32 | 1 | S.A | |
|4 | RA3104 | 2011-000651 | R-NETWORK;10ohm,5%,1/16W,L,CHIP,8P,TP,32 | 1 | S.A | |
|4 | RA3109 | 2011-000651 | R-NETWORK;10ohm,5%,1/16W,L,CHIP,8P,TP,32 | 1 | S.A | |
|4 | RA3110 | 2011-000651 | R-NETWORK;10ohm,5%,1/16W,L,CHIP,8P,TP,32 | 1 | S.A | |
|4 | RA3111 | 2011-000651 | R-NETWORK;10ohm,5%,1/16W,L,CHIP,8P,TP,32 | 1 | S.A | |
|4 | RA3112 | 2011-000651 | R-NETWORK;10ohm,5%,1/16W,L,CHIP,8P,TP,32 | 1 | S.A | |
|4 | RA3117 | 2011-000651 | R-NETWORK;10ohm,5%,1/16W,L,CHIP,8P,TP,32 | 1 | S.A | |
|4 | RA3118 | 2011-000651 | R-NETWORK;10ohm,5%,1/16W,L,CHIP,8P,TP,32 | 1 | S.A | |
|4 | RA5101 | 2011-000816 | R-NETWORK;100ohm,5%,1/16W,L,CHIP,8P,TP,3 | 1 | S.A | |
|4 | RA7104 | 2011-000816 | R-NETWORK;100ohm,5%,1/16W,L,CHIP,8P,TP,3 | 1 | S.A | |
|4 | RA2101 | 2011-000881 | R-NETWORK;33ohm,5%,1/16W,L,CHIP,8P,TP,3. | 1 | S.A | |
|4 | RA3115 | 2011-000881 | R-NETWORK;33ohm,5%,1/16W,L,CHIP,8P,TP,3. | 1 | S.A | |
|4 | RA3116 | 2011-000881 | R-NETWORK;33ohm,5%,1/16W,L,CHIP,8P,TP,3. | 1 | S.A | |
|4 | RA5102 | 2011-000881 | R-NETWORK;33ohm,5%,1/16W,L,CHIP,8P,TP,3. | 1 | S.A | |
|4 | RA5103 | 2011-000881 | R-NETWORK;33ohm,5%,1/16W,L,CHIP,8P,TP,3. | 1 | S.A | |
|4 | RA7103 | 2011-000881 | R-NETWORK;33ohm,5%,1/16W,L,CHIP,8P,TP,3. | 1 | S.A | |
|4 | RA7105 | 2011-000881 | R-NETWORK;33ohm,5%,1/16W,L,CHIP,8P,TP,3. | 1 | S.A | |
|4 | RA7107 | 2011-000881 | R-NETWORK;33ohm,5%,1/16W,L,CHIP,8P,TP,3. | 1 | S.A | |
|4 | RA7108 | 2011-000881 | R-NETWORK;33ohm,5%,1/16W,L,CHIP,8P,TP,3. | 1 | S.A | |
|4 | RA7203 | 2011-000881 | R-NETWORK;33ohm,5%,1/16W,L,CHIP,8P,TP,3. | 1 | S.A | |

5. Exploded View & Part List

| Level | Location No. | Code No. | Description & Specification | Q'ty | SA/SNA | Remark |
|-------|--------------|-------------|--|------|--------|--------|
| ...4 | RA7204 | 2011-000881 | R-NETWORK;33ohm,5%,1/16W,L,CHIP,8P,TP,3. | 1 | S.A | |
| ...4 | RA3113_SID | 2011-001001 | R-NETWORK;0ohm,5%,1/16W,L,CHIP,8P,TP,3.2 | 1 | S.A | |
| ...4 | RA3114_SID | 2011-001001 | R-NETWORK;0ohm,5%,1/16W,L,CHIP,8P,TP,3.2 | 1 | S.A | |
| ...4 | RA5243 | 2011-001001 | R-NETWORK;0ohm,5%,1/16W,L,CHIP,8P,TP,3.2 | 1 | S.A | |
| ...4 | RA5244 | 2011-001001 | R-NETWORK;0ohm,5%,1/16W,L,CHIP,8P,TP,3.2 | 1 | S.A | |
| ...4 | RA5245 | 2011-001001 | R-NETWORK;0ohm,5%,1/16W,L,CHIP,8P,TP,3.2 | 1 | S.A | |
| ...4 | RA5246 | 2011-001001 | R-NETWORK;0ohm,5%,1/16W,L,CHIP,8P,TP,3.2 | 1 | S.A | |
| ...4 | RA5247 | 2011-001001 | R-NETWORK;0ohm,5%,1/16W,L,CHIP,8P,TP,3.2 | 1 | S.A | |
| ...4 | RA6101 | 2011-001001 | R-NETWORK;0ohm,5%,1/16W,L,CHIP,8P,TP,3.2 | 1 | S.A | |
| ...4 | RA6169 | 2011-001001 | R-NETWORK;0ohm,5%,1/16W,L,CHIP,8P,TP,3.2 | 1 | S.A | |
| ...4 | RA6170 | 2011-001001 | R-NETWORK;0ohm,5%,1/16W,L,CHIP,8P,TP,3.2 | 1 | S.A | |
| ...4 | RA6172 | 2011-001001 | R-NETWORK;0ohm,5%,1/16W,L,CHIP,8P,TP,3.2 | 1 | S.A | |
| ...4 | RA6173 | 2011-001001 | R-NETWORK;0ohm,5%,1/16W,L,CHIP,8P,TP,3.2 | 1 | S.A | |
| ...4 | RA7009 | 2011-001011 | R-NETWORK;10Kohm,5%,1/16W,L,CHIP,8P,TP,3 | 1 | S.A | |
| ...4 | RA7010 | 2011-001011 | R-NETWORK;10Kohm,5%,1/16W,L,CHIP,8P,TP,3 | 1 | S.A | |
| ...4 | RA7011 | 2011-001011 | R-NETWORK;10Kohm,5%,1/16W,L,CHIP,8P,TP,3 | 1 | S.A | |
| ...4 | RA7012 | 2011-001011 | R-NETWORK;10Kohm,5%,1/16W,L,CHIP,8P,TP,3 | 1 | S.A | |
| ...4 | RA7209 | 2011-001011 | R-NETWORK;10Kohm,5%,1/16W,L,CHIP,8P,TP,3 | 1 | S.A | |
| ...4 | RA7001 | 2011-001087 | R-NETWORK;75ohm,5%,1/16W,L,CHIP,8P,TP,3. | 1 | S.A | |
| ...4 | RA7002 | 2011-001087 | R-NETWORK;75ohm,5%,1/16W,L,CHIP,8P,TP,3. | 1 | S.A | |
| ...4 | RA7003 | 2011-001087 | R-NETWORK;75ohm,5%,1/16W,L,CHIP,8P,TP,3. | 1 | S.A | |
| ...4 | RA7004 | 2011-001087 | R-NETWORK;75ohm,5%,1/16W,L,CHIP,8P,TP,3. | 1 | S.A | |
| ...4 | RA7005 | 2011-001087 | R-NETWORK;75ohm,5%,1/16W,L,CHIP,8P,TP,3. | 1 | S.A | |
| ...4 | RA7006 | 2011-001087 | R-NETWORK;75ohm,5%,1/16W,L,CHIP,8P,TP,3. | 1 | S.A | |
| ...4 | RA7007 | 2011-001087 | R-NETWORK;75ohm,5%,1/16W,L,CHIP,8P,TP,3. | 1 | S.A | |
| ...4 | RA7008 | 2011-001087 | R-NETWORK;75ohm,5%,1/16W,L,CHIP,8P,TP,3. | 1 | S.A | |
| ...4 | RA7101 | 2011-001087 | R-NETWORK;75ohm,5%,1/16W,L,CHIP,8P,TP,3. | 1 | S.A | |
| ...4 | RA7205 | 2011-001087 | R-NETWORK;75ohm,5%,1/16W,L,CHIP,8P,TP,3. | 1 | S.A | |
| ...4 | RA7210 | 2011-001087 | R-NETWORK;75ohm,5%,1/16W,L,CHIP,8P,TP,3. | 1 | S.A | |
| ...4 | RA2102 | 2011-001093 | R-NETWORK;100ohm,5%,1/16W,L,CHIP,8P,TP,3 | 1 | S.A | |
| ...4 | RA2103 | 2011-001093 | R-NETWORK;100ohm,5%,1/16W,L,CHIP,8P,TP,3 | 1 | S.A | |
| ...4 | RA7201 | 2011-001093 | R-NETWORK;100ohm,5%,1/16W,L,CHIP,8P,TP,3 | 1 | S.A | |
| ...4 | RA7202 | 2011-001093 | R-NETWORK;100ohm,5%,1/16W,L,CHIP,8P,TP,3 | 1 | S.A | |
| ...4 | C120 | 2203-000206 | C-CER,CHIP;100nF,10%,50V,X7R,2012 | 1 | S.A | |
| ...4 | C120 | 2203-000233 | C-CER,CHIP;0.1nF,5%,50V,C0G,1005 | 1 | S.A | |
| ...4 | C120 | 2203-000233 | C-CER,CHIP;0.1nF,5%,50V,C0G,1005 | 1 | S.A | |
| ...4 | C120 | 2203-000233 | C-CER,CHIP;0.1nF,5%,50V,C0G,1005 | 1 | S.A | |
| ...4 | C120 | 2203-000233 | C-CER,CHIP;0.1nF,5%,50V,C0G,1005 | 1 | S.A | |
| ...4 | C120 | 2203-000233 | C-CER,CHIP;0.1nF,5%,50V,C0G,1005 | 1 | S.A | |
| ...4 | C120 | 2203-000233 | C-CER,CHIP;0.1nF,5%,50V,C0G,1005 | 1 | S.A | |
| ...4 | C120 | 2203-000233 | C-CER,CHIP;0.1nF,5%,50V,C0G,1005 | 1 | S.A | |
| ...4 | C120 | 2203-000233 | C-CER,CHIP;0.1nF,5%,50V,C0G,1005 | 1 | S.A | |
| ...4 | C120 | 2203-000233 | C-CER,CHIP;0.1nF,5%,50V,C0G,1005 | 1 | S.A | |
| ...4 | C120 | 2203-000233 | C-CER,CHIP;0.1nF,5%,50V,C0G,1005 | 1 | S.A | |
| ...4 | C120 | 2203-000257 | C-CER,CHIP;10nF,10%,50V,X7R,TP,1608 | 1 | S.A | |
| ...4 | C120 | 2203-000257 | C-CER,CHIP;10nF,10%,50V,X7R,TP,1608 | 1 | S.A | |
| ...4 | C120 | 2203-000332 | C-CER,CHIP;0.012nF,5%,50V,C0G,1608 | 1 | S.A | |
| ...4 | C120 | 2203-000332 | C-CER,CHIP;0.012nF,5%,50V,C0G,1608 | 1 | S.A | |
| ...4 | C120 | 2203-000386 | C-CER,CHIP;0.015nF,5%,50V,C0G,1005 | 1 | S.A | |
| ...4 | C120 | 2203-000386 | C-CER,CHIP;0.015nF,5%,50V,C0G,1005 | 1 | S.A | |
| ...4 | C120 | 2203-000386 | C-CER,CHIP;0.015nF,5%,50V,C0G,1005 | 1 | S.A | |

5. Exploded View & Part List

| Level | Location No. | Code No. | Description & Specification | Q'ty | SA/SNA | Remark |
|-------|--------------|-------------|--|------|--------|--------|
| ...4 | C120 | 2203-000425 | C-CER,CHIP;0.018nF,5%,50V,C0G,1005 | 1 | S.A | |
| ...4 | C120 | 2203-000425 | C-CER,CHIP;0.018nF,5%,50V,C0G,1005 | 1 | S.A | |
| ...4 | C120 | 2203-000438 | C-CER,CHIP;1nF,10%,50V,X7R,1005 | 1 | S.A | |
| ...4 | C120 | 2203-000438 | C-CER,CHIP;1nF,10%,50V,X7R,1005 | 1 | S.A | |
| ...4 | C120 | 2203-000438 | C-CER,CHIP;1nF,10%,50V,X7R,1005 | 1 | S.A | |
| ...4 | C120 | 2203-000438 | C-CER,CHIP;1nF,10%,50V,X7R,1005 | 1 | S.A | |
| ...4 | C120 | 2203-000438 | C-CER,CHIP;1nF,10%,50V,X7R,1005 | 1 | S.A | |
| ...4 | C120 | 2203-000438 | C-CER,CHIP;1nF,10%,50V,X7R,1005 | 1 | S.A | |
| ...4 | C120 | 2203-000438 | C-CER,CHIP;1nF,10%,50V,X7R,1005 | 1 | S.A | |
| ...4 | C120 | 2203-000438 | C-CER,CHIP;1nF,10%,50V,X7R,1005 | 1 | S.A | |
| ...4 | C120 | 2203-000438 | C-CER,CHIP;1nF,10%,50V,X7R,1005 | 1 | S.A | |
| ...4 | C120 | 2203-000438 | C-CER,CHIP;1nF,10%,50V,X7R,1005 | 1 | S.A | |
| ...4 | C120 | 2203-000438 | C-CER,CHIP;1nF,10%,50V,X7R,1005 | 1 | S.A | |
| ...4 | C120 | 2203-000438 | C-CER,CHIP;1nF,10%,50V,X7R,1005 | 1 | S.A | |
| ...4 | C120 | 2203-000438 | C-CER,CHIP;1nF,10%,50V,X7R,1005 | 1 | S.A | |
| ...4 | C120 | 2203-000438 | C-CER,CHIP;1nF,10%,50V,X7R,1005 | 1 | S.A | |
| ...4 | C120 | 2203-000438 | C-CER,CHIP;1nF,10%,50V,X7R,1005 | 1 | S.A | |
| ...4 | C120 | 2203-000438 | C-CER,CHIP;1nF,10%,50V,X7R,1005 | 1 | S.A | |
| ...4 | C120 | 2203-000438 | C-CER,CHIP;1nF,10%,50V,X7R,1005 | 1 | S.A | |
| ...4 | C120 | 2203-000438 | C-CER,CHIP;1nF,10%,50V,X7R,1005 | 1 | S.A | |
| ...4 | C120 | 2203-000489 | C-CER,CHIP;2.2nF,10%,50V,X7R,1005 | 1 | S.A | |
| ...4 | C120 | 2203-000489 | C-CER,CHIP;2.2nF,10%,50V,X7R,1005 | 1 | S.A | |
| ...4 | C120 | 2203-000489 | C-CER,CHIP;2.2nF,10%,50V,X7R,1005 | 1 | S.A | |
| ...4 | C120 | 2203-000489 | C-CER,CHIP;2.2nF,10%,50V,X7R,1005 | 1 | S.A | |
| ...4 | C120 | 2203-000489 | C-CER,CHIP;2.2nF,10%,50V,X7R,1005 | 1 | S.A | |
| ...4 | C120 | 2203-000550 | C-CER,CHIP;0.02nF,5%,50V,C0G,1005 | 1 | S.N.A | |
| ...4 | C120 | 2203-000550 | C-CER,CHIP;0.02nF,5%,50V,C0G,1005 | 1 | S.N.A | |
| ...4 | C120 | 2203-000627 | C-CER,CHIP;0.022nF,5%,50V,C0G,1005 | 1 | S.N.A | |
| ...4 | C120 | 2203-000627 | C-CER,CHIP;0.022nF,5%,50V,C0G,1005 | 1 | S.N.A | |
| ...4 | C120 | 2203-000627 | C-CER,CHIP;0.022nF,5%,50V,C0G,1005 | 1 | S.N.A | |
| ...4 | C120 | 2203-000714 | C-CER,CHIP;3.3nF,10%,50V,X7R,TP,1005,- | 1 | S.A | |
| ...4 | C120 | 2203-000714 | C-CER,CHIP;3.3nF,10%,50V,X7R,TP,1005,- | 1 | S.A | |
| ...4 | C120 | 2203-000783 | C-CER,CHIP;0.33nF,5%,50V,C0G,1608 | 1 | S.A | |
| ...4 | C120 | 2203-000783 | C-CER,CHIP;0.33nF,5%,50V,C0G,1608 | 1 | S.A | |
| ...4 | C120 | 2203-000783 | C-CER,CHIP;0.33nF,5%,50V,C0G,1608 | 1 | S.A | |
| ...4 | C120 | 2203-000783 | C-CER,CHIP;0.33nF,5%,50V,C0G,1608 | 1 | S.A | |
| ...4 | C120 | 2203-000815 | C-CER,CHIP;0.033nF,5%,50V,C0G,1608 | 1 | S.A | |
| ...4 | C120 | 2203-000815 | C-CER,CHIP;0.033nF,5%,50V,C0G,1608 | 1 | S.A | |
| ...4 | C120 | 2203-000925 | C-CER,CHIP;470nF,+80-20%,50V,Y5V,2012 | 1 | S.A | |
| ...4 | C120 | 2203-000925 | C-CER,CHIP;470nF,+80-20%,50V,Y5V,2012 | 1 | S.A | |
| ...4 | C120 | 2203-000975 | C-CER,CHIP;47nF,10%,25V,X7R,TP,1608,- | 1 | S.A | |
| ...4 | C120 | 2203-000975 | C-CER,CHIP;47nF,10%,25V,X7R,TP,1608,- | 1 | S.A | |
| ...4 | C120 | 2203-000975 | C-CER,CHIP;47nF,10%,25V,X7R,TP,1608,- | 1 | S.A | |
| ...4 | C120 | 2203-000975 | C-CER,CHIP;47nF,10%,25V,X7R,TP,1608,- | 1 | S.A | |
| ...4 | C120 | 2203-000975 | C-CER,CHIP;47nF,10%,25V,X7R,TP,1608,- | 1 | S.A | |
| ...4 | C120 | 2203-000975 | C-CER,CHIP;47nF,10%,25V,X7R,TP,1608,- | 1 | S.A | |
| ...4 | C120 | 2203-000975 | C-CER,CHIP;47nF,10%,25V,X7R,TP,1608,- | 1 | S.A | |
| ...4 | C120 | 2203-000998 | C-CER,CHIP;0.047nF,5%,50V,C0G,1608 | 1 | S.A | |
| ...4 | C120 | 2203-000998 | C-CER,CHIP;0.047nF,5%,50V,C0G,1608 | 1 | S.A | |
| ...4 | C120 | 2203-000998 | C-CER,CHIP;0.047nF,5%,50V,C0G,1608 | 1 | S.A | |
| ...4 | C120 | 2203-000998 | C-CER,CHIP;0.047nF,5%,50V,C0G,1608 | 1 | S.A | |
| ...4 | C120 | 2203-000998 | C-CER,CHIP;0.047nF,5%,50V,C0G,1608 | 1 | S.A | |
| ...4 | C120 | 2203-001153 | C-CER,CHIP;0.068nF,5%,50V,NP0,1005 | 1 | S.A | |

5. Exploded View & Part List

| Level | Location No. | Code No. | Description & Specification | Q'ty | SA/SNA | Remark |
|-------|--------------|-------------|--|------|--------|--------|
|4 | T0568 | 3301-001569 | BEAD-SMD;600ohm,2012,1000mA,TP,520ohm/90 | 1 | S.N.A | |
|4 | T0568 | 3301-001569 | BEAD-SMD;600ohm,2012,1000mA,TP,520ohm/90 | 1 | S.N.A | |
|4 | T0568 | 3301-001569 | BEAD-SMD;600ohm,2012,1000mA,TP,520ohm/90 | 1 | S.N.A | |
|4 | T0568 | 3301-001569 | BEAD-SMD;600ohm,2012,1000mA,TP,520ohm/90 | 1 | S.N.A | |
|4 | T0568 | 3301-001569 | BEAD-SMD;600ohm,2012,1000mA,TP,520ohm/90 | 1 | S.N.A | |
|4 | T0568 | 3301-001569 | BEAD-SMD;600ohm,2012,1000mA,TP,520ohm/90 | 1 | S.N.A | |
|4 | T0568 | 3301-001569 | BEAD-SMD;600ohm,2012,1000mA,TP,520ohm/90 | 1 | S.N.A | |
|4 | T0568 | 3301-001569 | BEAD-SMD;600ohm,2012,1000mA,TP,520ohm/90 | 1 | S.N.A | |
|4 | T0568 | 3301-001569 | BEAD-SMD;600ohm,2012,1000mA,TP,520ohm/90 | 1 | S.N.A | |
|4 | T0568 | 3301-001569 | BEAD-SMD;600ohm,2012,1000mA,TP,520ohm/90 | 1 | S.N.A | |
|4 | T0568 | 3301-001569 | BEAD-SMD;600ohm,2012,1000mA,TP,520ohm/90 | 1 | S.N.A | |
|4 | T0568 | 3301-001569 | BEAD-SMD;600ohm,2012,1000mA,TP,520ohm/90 | 1 | S.N.A | |
|4 | T0568 | 3301-001569 | BEAD-SMD;600ohm,2012,1000mA,TP,520ohm/90 | 1 | S.N.A | |
|4 | T0568 | 3301-001569 | BEAD-SMD;600ohm,2012,1000mA,TP,520ohm/90 | 1 | S.N.A | |
|4 | T0568 | 3301-001569 | BEAD-SMD;600ohm,2012,1000mA,TP,520ohm/90 | 1 | S.N.A | |
|4 | T0568 | 3301-001569 | BEAD-SMD;600ohm,2012,1000mA,TP,520ohm/90 | 1 | S.N.A | |
|4 | T0568 | 3301-001569 | BEAD-SMD;600ohm,2012,1000mA,TP,520ohm/90 | 1 | S.N.A | |
|4 | T0568 | 3301-001569 | BEAD-SMD;600ohm,2012,1000mA,TP,520ohm/90 | 1 | S.N.A | |
|4 | T0568 | 3301-001569 | BEAD-SMD;600ohm,2012,1000mA,TP,520ohm/90 | 1 | S.N.A | |
|4 | T0568 | 3301-001569 | BEAD-SMD;600ohm,2012,1000mA,TP,520ohm/90 | 1 | S.N.A | |
|4 | JA3102 | 3701-001367 | CONNECTOR-HDMI;19P,2R,FEMALE,SMD,AU | 1 | S.A | |
|4 | JA3103 | 3701-001367 | CONNECTOR-HDMI;19P,2R,FEMALE,SMD,AU | 1 | S.A | |
|4 | CN330 | 3711-005925 | HEADER-BOARD TO CABLE;BOX,51P,1R,0.5mm,S | 1 | S.N.A | |
|4 | CN330 | 3711-006354 | HEADER-BOARD TO CABLE;BOX,41P,2R,0.5mm,S | 1 | S.A | |
|4 | T0077 | BN41-00974A | PCB MAIN;Amber,FR-4,4,1.0,192*240,1 | 1 | S.N.A | |
|4 | M0018 | BN97-02049A | ASSY MICOM;T-PRLPEUMD,N46A,2007.11.26,11 | 1 | S.N.A | |
|5 | IC115 | 1107-001415 | IC-FLASH MEMORY;29W320D,4Mx8/2Mx16Bit,TS | 1 | S.N.A | |
|4 | M0018 | BN97-02049B | ASSY MICOM;T-PRLPEUS,N46A,2007.11.26,090 | 1 | S.N.A | |
|5 | IC520 | 0903-001552 | IC-MICROCONTROLLER;WT61P8-RG480WT,LQFP,4 | 1 | S.A | |
|4 | M0018 | BN97-02049C | ASSY MICOM;T-PERLDEUC,N46A,2007.11.26,11 | 1 | S.N.A | |
|5 | IC115 | 1107-001415 | IC-FLASH MEMORY;29W320D,4Mx8/2Mx16Bit,TS | 1 | S.N.A | |
|4 | Q3116 | 0501-002184 | TR-SMALL SIGNAL;KTD1304,NPN,200mW,SOT-23 | 1 | S.A | |
|4 | Q3117 | 0501-002184 | TR-SMALL SIGNAL;KTD1304,NPN,200mW,SOT-23 | 1 | S.A | |
|4 | R110 | 2007-000070 | R-CHIP;0ohm,5%,1/10W,TP,1608 | 1 | S.A | |
|4 | R110 | 2007-000070 | R-CHIP;0ohm,5%,1/10W,TP,1608 | 1 | S.A | |
|4 | R110 | 2007-000070 | R-CHIP;0ohm,5%,1/10W,TP,1608 | 1 | S.A | |
|4 | R110 | 2007-000070 | R-CHIP;0ohm,5%,1/10W,TP,1608 | 1 | S.A | |
|4 | R110 | 2007-000070 | R-CHIP;0ohm,5%,1/10W,TP,1608 | 1 | S.A | |
|4 | R110 | 2007-000074 | R-CHIP;100ohm,5%,1/10W,TP,1608 | 1 | S.A | |
|4 | R110 | 2007-000074 | R-CHIP;100ohm,5%,1/10W,TP,1608 | 1 | S.A | |
|4 | R110 | 2007-000074 | R-CHIP;100ohm,5%,1/10W,TP,1608 | 1 | S.A | |
|4 | R110 | 2007-000074 | R-CHIP;100ohm,5%,1/10W,TP,1608 | 1 | S.A | |
|4 | R110 | 2007-000074 | R-CHIP;100ohm,5%,1/10W,TP,1608 | 1 | S.A | |
|4 | R110 | 2007-000074 | R-CHIP;100ohm,5%,1/10W,TP,1608 | 1 | S.A | |
|4 | R110 | 2007-000074 | R-CHIP;100ohm,5%,1/10W,TP,1608 | 1 | S.A | |
|4 | R110 | 2007-000074 | R-CHIP;100ohm,5%,1/10W,TP,1608 | 1 | S.A | |
|4 | R110 | 2007-000074 | R-CHIP;100ohm,5%,1/10W,TP,1608 | 1 | S.A | |
|4 | R110 | 2007-007001 | R-CHIP;3.9KOHM,5%,1/16W,TP,1005 | 1 | S.A | |
|4 | C6151_OP | 2402-001259 | C-AL,SMD;220uF,20%,16V,WT,REEL,8X10 | 1 | S.A | |
|4 | C2160 | 2402-001273 | C-AL,SMD;220uF,20%,35V,WT,REEL,10X10mm | 1 | S.A | |
|4 | C1140 | 2409-001118 | C-POLYMER ,CHIP;47uF,+20,10V,WT,REEL,3. | 1 | S.A | |
|4 | C5521 | 2409-001118 | C-POLYMER ,CHIP;47uF,+20,10V,WT,REEL,3. | 1 | S.A | |
|4 | C5522 | 2409-001118 | C-POLYMER ,CHIP;47uF,+20,10V,WT,REEL,3. | 1 | S.A | |
|4 | CN330 | 3711-006374 | HEADER-BOARD TO CABLE;BOX,41P,2R,1.25mm, | 1 | S.A | |

5. Exploded View & Part List

| Level | Location No. | Code No. | Description & Specification | Q'ty | SA/SNA | Remark |
|-------|--------------|-------------|---|-------|--------|--------|
| ...4 | IC104 | 0801-002633 | IC-CMOS LOGIC;7WBD3125,2bit BUS SWITCH,S | 1 | S.A | |
| ...4 | IC104 | 0801-002633 | IC-CMOS LOGIC;7WBD3125,2bit BUS SWITCH,S | 1 | S.A | |
| ...4 | IC104 | 0801-002633 | IC-CMOS LOGIC;7WBD3125,2bit BUS SWITCH,S | 1 | S.A | |
| ...4 | IC104 | 0801-002633 | IC-CMOS LOGIC;7WBD3125,2bit BUS SWITCH,S | 1 | S.A | |
| ...4 | R110 | 2007-002425 | R-CHIP;1ohm,5%,1/10W,TP,1608 | 1 | S.A | |
| ...4 | R110 | 2007-002425 | R-CHIP;1ohm,5%,1/10W,TP,1608 | 1 | S.A | |
| ...4 | R110 | 2007-002425 | R-CHIP;1ohm,5%,1/10W,TP,1608 | 1 | S.A | |
| ...4 | R110 | 2007-002425 | R-CHIP;1ohm,5%,1/10W,TP,1608 | 1 | S.A | |
| ...4 | R110 | 2007-002425 | R-CHIP;1ohm,5%,1/10W,TP,1608 | 1 | S.A | |
| ...4 | R110 | 2007-002425 | R-CHIP;1ohm,5%,1/10W,TP,1608 | 1 | S.A | |
| ...4 | R110 | 2007-002425 | R-CHIP;1ohm,5%,1/10W,TP,1608 | 1 | S.A | |
| ...4 | C120 | 2203-006158 | C-CER,CHIP;100nF,10%,16V,X7R,1005 | 1 | S.N.A | |
| ...4 | C1207 | 2402-001238 | C-AL,SMD;1uF,20%,50V,HR,TP,4.3x4.3x5.2mm | 1 | S.A | |
| ...3 | T0603 | BN63-04510A | SHIELD-PCB MAIN;PEARL32, EO, TOP, SPTE, T0. | 1 | S.N.A | |
| ...3 | T0603 | BN63-04512A | SHIELD-PCB MAIN;PEARL32,EO,BOT,SPTE T0.3 | 1 | S.N.A | |
| ...3 | SUB09_MTK | BN73-00024B | SILICON/RUBBER-GAP PAD;POSEIDON,SILICON, | 1 | S.N.A | |
| ...3 | SUB10_FBE | BN73-00176A | SILICON/RUBBER-GAPPAD;EDISON 24,SILICON+ | 1 | S.A | |
| | | | | | | |
| 0.1 | | BN91-02026B | ASSY SHIELD-AAH;LE46A557P7FX/XC | 1 | S.N.A | |
| .2 | M0081 | 6003-000115 | SCREW-TAPTITE;BH,+,B,M3,L6,ZPC(BLK),SWRC | 6 | S.A | |
| .2 | M0081 | 6003-000115 | SCREW-TAPTITE;BH,+,B,M3,L6,ZPC(BLK),SWRC | 6 | S.A | |
| .2 | M0081 | 6003-000115 | SCREW-TAPTITE;BH,+,B,M3,L6,ZPC(BLK),SWRC | 1 | S.A | |
| .2 | M0081 | 6003-000337 | SCREW-TAPTITE;BH,+,S,M4,L10,ZPC(BLK),SWR | 3 | S.A | |
| .2 | M0081 | 6003-000337 | SCREW-TAPTITE;BH,+,S,M4,L10,ZPC(BLK),SWR | 1 | S.A | |
| .2 | M0081 | 6003-000337 | SCREW-TAPTITE;BH,+,S,M4,L10,ZPC(BLK),SWR | 2 | S.A | |
| .2 | M0081 | 6003-000337 | SCREW-TAPTITE;BH,+,S,M4,L10,ZPC(BLK),SWR | 1 | S.A | |
| .2 | M0081 | 6003-000337 | SCREW-TAPTITE;BH,+,S,M4,L10,ZPC(BLK),SWR | 5 | S.A | |
| .2 | M0081 | 6003-000337 | SCREW-TAPTITE;BH,+,S,M4,L10,ZPC(BLK),SWR | 5 | S.A | |
| .2 | M0081 | 6003-000337 | SCREW-TAPTITE;BH,+,S,M4,L10,ZPC(BLK),SWR | 2 | S.A | |
| .2 | M0081 | 6003-001188 | SCREW-TAPTITE;BH,+,-,B,M4,L10,ZPC(WHT),S | 6 | S.N.A | |
| .2 | M0081 | 6003-001188 | SCREW-TAPTITE;BH,+,-,B,M4,L10,ZPC(WHT),S | 2 | S.N.A | |
| .2 | M0081 | 6003-001188 | SCREW-TAPTITE;BH,+,-,B,M4,L10,ZPC(WHT),S | 1 | S.N.A | |
| .2 | M0081 | 6003-001188 | SCREW-TAPTITE;BH,+,-,B,M4,L10,ZPC(WHT),S | 4 | S.N.A | |
| .2 | M0081 | 6003-001439 | SCREW-TAPTITE;BH,+,-,S,M4,L8,ZPC(WHT),SW | 1 | S.N.A | |
| .2 | M0081 | 6006-001096 | SCREW-TAPTITE;BH,+,WP,B,M4.0,L12,ZPC(BLK | 2 | S.N.A | |
| .2 | M0081 | 6006-001096 | SCREW-TAPTITE;BH,+,WP,B,M4.0,L12,ZPC(BLK | 2 | S.N.A | |
| .2 | M0081 | 6006-001096 | SCREW-TAPTITE;BH,+,WP,B,M4.0,L12,ZPC(BLK | 2 | S.N.A | |
| .2 | M2893 | BN39-00789A | LEAD CONNECTOR;LA46F71BX,UL1007#26,UL100 | 1 | S.A | |
| .2 | M2893 | BN39-00802G | LEAD CONNECTOR;SPD-63P71FHD,UL1617#22,24 | 1 | S.A | |
| .2 | M2893 | BN39-00830A | LEAD CONNECTOR;LNT4642HX/XAA,UL1061#28,7 | 1 | S.A | |
| .2 | M2893 | BN39-00948E | LEAD CONNECTOR;LN52M81BD,UL1061#28,4P,3P | 1 | S.A | |
| .2 | M2893 | BN39-01020A | LEAD CONNECTOR;LN46A550P,UL1007#26,2pin, | 1 | S.A | |
| .2 | M2893 | BN39-01024A | LEAD CONNECTOR;LN46A550P1FXZA,UL1007#26, | 1 | S.A | |
| .2 | M0174 | BN44-00203A | IP BOARD;SIP468A,PEARL,15mA,135mA,150Hz, | 1 | S.A | |
| .2 | M0114 | BN61-02500A | HOLDER-WIRE;NYLON6.6,NATURAL | 2 | S.N.A | |
| .2 | M0146 | BN61-03414A | BRACKET-PANEL TOP;PEONY52,SECC T1.2 | 4 | S.N.A | |
| .2 | | BN61-03788B | HOLDER-WALL LEFT;L650,46,HIPS,HB,BK500,L | 1 | S.N.A | |
| ...3 | | BN61-02932A | BRACKET-STOPPER NUT;SUM24L | 2 | S.N.A | |
| ...3 | | BN81-00199H | RESIN;HIPS HB,BK500,HF-1690H,K2901 | 0.283 | S.N.A | |
| .2 | M0115 | BN61-03790A | BRACKET-STAND LINK;AMBER 46,SECC,T1.6,-, | 1 | S.N.A | |
| .2 | | BN61-03864B | HOLDER-WALL RIGHT;L650,46,HIPS,HB,BK500, | 1 | S.N.A | |
| ...3 | | BN61-02932A | BRACKET-STOPPER NUT;SUM24L | 2 | S.N.A | |

5. Exploded View & Part List

| Level | Location No. | Code No. | Description & Specification | Q'ty | SA/SNA | Remark |
|-------|--------------|-------------|--|-------|--------|--------|
| ...3 | | BN81-00199H | RESIN;HIPS HB,BK500,HF-1690H,K2901 | 0.282 | S.N.A | |
| ..2 | M0107 | BN63-03039A | SHIELD-COVER;MURANO40,PCM,T0.5,IDTV | 1 | S.N.A | |
| ..2 | M0125 | BN96-05490A | ASSY INLET P;LE52M87BDX,XEC,300,300,150m | 1 | S.A | |
| ..2 | M0230 | BN96-06678A | ASSY CABLE P-FFC;PEONY 46",FFC,117001-41 | 1 | S.A | |
| ..2 | T0175 | BN96-06809B | ASSY SPEAKER P;8ohm,L530 40"/46",Down Fi | 1 | S.A | |
| ..2 | T0447 | BN96-06885A | ASSY BRACKET P-PANEL;46,L650A,AMBER | 1 | S.N.A | |
| ...3 | M0081 | 6003-001188 | SCREW-TAPTITE;BH,+,-,B,M4,L10,ZPC(WHT),S | 1 | S.N.A | |
| ...3 | M0081 | 6003-001188 | SCREW-TAPTITE;BH,+,-,B,M4,L10,ZPC(WHT),S | 1 | S.N.A | |
| ...3 | M0081 | 6003-001188 | SCREW-TAPTITE;BH,+,-,B,M4,L10,ZPC(WHT),S | 2 | S.N.A | |
| ...3 | | BN61-03516A | BRACKET-GUIDE POWER L;46J8 PEONY2,SECC T | 1 | S.N.A | |
| ...3 | | BN61-03520A | BRACKET-GUIDE MAIN;46J8 PEONY2,SECC T1.2 | 1 | S.N.A | |
| ...3 | | BN61-03829A | BRACKET-PANEL BOTTOM;AMBER 46,SECC,T1.6, | 1 | S.N.A | |
| ...3 | | BN61-03830A | BRACKET-GUIDE POWER R;AMBER 46,SECC,T1.2 | 2 | S.N.A | |
| ...3 | M0131 | BN63-03520A | GASKET;Tulip,Conductive Fabric,10,18,300 | 2 | S.N.A | |
| ...3 | M0131 | BN63-03812A | GASKET;Tulip,Conductive Fabric,10,10,180 | 1 | S.N.A | |
| ..2 | M0214 | BN96-07161K | ASSY CABLE P-FLAT LVDS;LE46A556P1FXXC,FF | 1 | S.A | |
| ..2 | M0020 | BN96-07563A | ASSY BOARD P-SIDE AV;L46A558P3F,SJ08-01- | 1 | S.N.A | |
| | | | | | | |
| 0.1 | | BN91-02031A | ASSY LCD-AUO;LE46A556P1FX/XC, T460HW03 V | 1 | S.N.A | |
| ..2 | M0215 | BN07-00517A | LCD-PANEL;T460HW03 V1,8bit,46inch,16.7M, | 1 | S.A | |
| | | | | | | |
| 0.1 | M0003 | BN92-03226F | ASSY BOX;46L530,EO(iDTV),P3 | 1 | S.N.A | |
| ..2 | M0521 | BN69-02381A | BOX-SET,IN;L650-46-S,CB,C-01,DY-01,AB,W1 | 1 | S.N.A | |
| ..2 | | BN69-02430B | BOX-SET,OUT;L550P3-46,CB,C3,DY-01,W1220, | 1 | S.N.A | |
| | | | | | | |
| 0.1 | M0113 | BN92-03231B | ASSY P/MATERIAL;46L530,W/W | 1 | S.N.A | |
| ..2 | T0003 | 6902-000604 | BAG WRAPPING;LDPE,T0.02,W500,L10000,TRP, | 7.5 | S.N.A | |
| ..2 | T0524 | 6902-000684 | BAG PE;HDPE/NITRON,T0.015/T0.5,W1400,L14 | 1 | S.N.A | |
| ..2 | | 6922-000013 | BAND PP;PP,W18,L2300m,TRP,Roll Diameter | 5.1 | S.N.A | |
| ..2 | T0214 | AA61-00049B | HOLDER-BOX;DP,AA61-20285A,PP,NTR,V0 | 2 | S.N.A | |
| ..2 | T0214 | BN74-00008A | TAPE-OPP MASKING;OPP-2,T0.05,W100,L800M, | 1.38 | S.N.A | |
| | | | | | | |
| 0.1 | M0019 | BN92-03261G | ASSY LABEL;LE46A557P2FX* | 1 | S.N.A | |
| | | | | | | |
| 0.1 | M0045 | BN92-03267C | ASSY ACCESSORY;LE46A556P1FX/XC,LE52A558P | 1 | S.N.A | |
| ..2 | M0045 | BN96-07178A | ASSY ACCESSORY-MANUAL;LE46A556P1FXXC,N46 | 1 | S.A | |
| ...3 | T0524 | 6902-000110 | BAG PE;LDPE,T0.05,W250,L400,TRP,28,2 | 1 | S.N.A | |
| ...3 | T0210 | AA68-03242K | MANUAL FLYER-01,SAFETY GUIDE;comm,Samsun | 1 | S.N.A | |
| ...3 | | AA68-03575A | MANUAL FLYER-02,REGISTRATION C;XEU,ENG,U | 1 | S.N.A | |
| ...3 | | AA68-03575B | MANUAL FLYER-02,REGISTRATION C;XEG,GERMA | 1 | S.N.A | |
| ...3 | | AA68-03575C | MANUAL FLYER-02,REGISTRATION C;XEF,FRENC | 1 | S.N.A | |
| ...3 | | AA68-03575D | MANUAL FLYER-03,REGISTRATION C;XEC,SPANI | 1 | S.N.A | |
| ...3 | | AA68-03575E | MANUAL FLYER-04,REGISTRATION C;XET,ITALY | 1 | S.N.A | |
| ...3 | | AA68-03575F | MANUAL FLYER-02,REGISTRATION C;XEN,DUTCH | 1 | S.N.A | |
| ...3 | | AA68-03575G | MANUAL FLYER-02,REGISTRATION C;XEP,PORTU | 1 | S.N.A | |
| ...3 | | BN68-00514E | MANUAL FLYER-00,WARRANTY CARD;comm,Samsu | 1 | S.N.A | |
| ...3 | T0511 | BN68-01409A | MANUAL USERS;COMM,SAMSUNG,8Language,W.Eu | 1 | S.N.A | |
| ..2 | M0045 | BN96-07178B | ASSY ACCESSORY-CABEL;LE46A558P3FXXC,LE52 | 1 | S.A | |
| ...3 | T0268 | 3903-000145 | CBF-POWER CORD;DT,EU,FP3/YES,U(IEC C13-R | 1 | S.A | |
| ...3 | T0524 | 6902-000110 | BAG PE;LDPE,T0.05,W250,L400,TRP,28,2 | 1 | S.N.A | |
| ...3 | T0074 | BN59-00683A | REMOCON;TM-96B,49,EUROPE_DTV-550 | 1 | S.A | |

5. Exploded View & Part List

| Level | Location No. | Code No. | Description & Specification | Q'ty | SA/SNA | Remark |
|-------|--------------|-------------|--|-------|--------|--------|
| ...3 | | BN63-01798A | CLOTH-CLEAN;RE40**,CLOTH,180,200,RHCM | 1 | S.N.A | |
| ...3 | T0531 | BN63-04374A | COVER-BOTTOM;46,52L550,P2,P3,P4,HIPS,-,- | 1 | S.N.A | |
| ...4 | | BN81-00199H | RESIN;HIPS HB,BK500,HF-1690H,K2901 | 0.062 | S.N.A | |
| | | | | | | |
| .2 | T0214 | BN74-00008A | TAPE-OPP MASKING;OPP-2,T0.05,W100,L800M, | 1.23 | S.N.A | |

5-10. LE52A55*P Parts List

| Level | Location No. | Code No. | Description & Specification | Q'ty | SA/SNA | Remark |
|-------|--------------|----------------|--|-------|--------|--------|
| 0 | | LE52A558P3FXXC | LE52A558P3F,N46A/52AP3-GPR,52,LCD-TV,SPA | 0 | | |
| 0.1 | M0001 | BN90-01549F | ASSY COVER FRONT;52L530,EO(iDTV),P3 | 1 | S.N.A | |
| ..2 | T0003 | BN96-06713B | ASSY COVER P-FRONT;52L550,P3,EO(iDTV),AB | 1 | S.A | |
| ...3 | M0081 | 6003-001188 | SCREW-TAPTITE;BH,+,-,B,M4,L10,ZPC(WHT),S | 1 | S.N.A | |
| ...3 | M0081 | 6003-001188 | SCREW-TAPTITE;BH,+,-,B,M4,L10,ZPC(WHT),S | 2 | S.N.A | |
| ...3 | T0069 | AA60-00091J | SPACER-FELT;-,FELT,330X10,-,-,BLK,T0.5,- | 2 | S.N.A | |
| ...3 | T0069 | AA60-00091P | SPACER-FELT;FELT,500X10,BLK,T0.5 | 2 | S.N.A | |
| ...3 | CCM1 | BN63-02183E | COVER-SHEET;Rhcm,PE Vinyl,T0.05,750mm,20 | 0.994 | S.N.A | |
| ...3 | M0112 | BN63-04375C | COVER-FRONT;52L550,P2,P3,P4,EO(iDTV),ABS | 1 | S.N.A | |
| ...4 | | BN81-00204P | RESIN-HIGH GLOSS;SF-0505,K21294,ABS HB P | 1.965 | S.N.A | |
| ...3 | T0059 | BN64-00379A | INDICATOR LED;ROME-II,23,PC,CLEAR | 1 | S.N.A | |
| ...3 | T0061 | BN64-00453A | WINDOW-REMOCON;32R71,PC,V0,VIOLET,DIFFUS | 1 | S.N.A | |
| ...3 | T0022 | BN64-00755A | KNOB-CONTROL;32L450,ABS,V0,BK07 | 1 | S.N.A | |
| ...4 | | BH83-00150P | CKD-ABS HB;HF-0680U,K2331 | 0.037 | S.N.A | |
| ...3 | | BN64-00867A | DECORATION-BOTTOM;52L550,P3,ABS,HB,GR503 | 1 | S.N.A | |
| ...4 | | BN81-00187A | RESIN;ABS HB GR503,HF-0680U,G4309 | 0.25 | S.N.A | |
| ...3 | | BN96-06934B | ASSY HOLDER P-BOSS;52L530,HIPS,HB,BK500 | 1 | S.N.A | |
| ...4 | | BN61-03261B | BOSS-TAPE;Tulip,ACRYL,T1.1,W20mm,GRAY,TA | 1.05 | S.N.A | |
| ...4 | | BN61-03891B | HOLDER-BOSS BOTTOM;52L530,HIPS,HB,BK500 | 1 | S.N.A | |
|5 | | BN81-00199H | RESIN;HIPS HB,BK500,HF-1690H,K2901 | 0.27 | S.N.A | |
| ...3 | M0146 | BN96-07270H | ASSY BOARD P-POWER & IR;LE32A556P1F,CT50 | 1 | S.A | |
| ...3 | M0145 | BN96-07269A | ASSY BOARD P-FUNCTION;LN40A450C1D,CT5000 | 1 | S.A | |
| | | | | | S.A | |
| 0.1 | M0216 | BN90-01559A | ASSY STAND;52L530 | 1 | S.N.A | |
| ..2 | T0081 | 6002-001294 | SCREW-TAPPING;BH,+,,M4,L16,ZPC(BLK) | 4 | S.A | |
| ..2 | M0027 | BN96-06937A | ASSY STAND P-BASE;52,L530,ABS+PMMA,HB,BK | 1 | S.A | |
| ...3 | T0081 | 6002-001294 | SCREW-TAPPING;BH,+,,M4,L16,ZPC(BLK) | 4 | S.A | |
| ...3 | M0081 | 6003-001239 | SCREW-TAPTITE;FH,+,-,B,M4,L10,ZPC(WHT),S | 8 | S.A | |
| ...3 | | BN61-02533A | HOLDER-SWIVEL RING;46M7 EO,ACETAL,NATUAL | 1 | S.N.A | |
| ...3 | | BN61-02534A | HOLDER-SWIVEL RING;46M7 EO,ACETAL,NATUAL | 1 | S.N.A | |
| ...3 | | BN61-02536A | BRACKET-HINGE SWIVEL;46M7 EO,HG,T3.0 | 1 | S.N.A | |
| ...3 | | BN61-03006A | BRACKET-STAND BOTTOM;TULIP46,SECC,T3.0 | 1 | S.N.A | |
| ...3 | T0920 | BN61-03889A | GUIDE-STAND;GUIDE-STAND 46 L530,PC,BLK,G | 1 | S.N.A | |
| ...4 | | BN81-00204H | RESIN;Trirex,3025G20 BK,ABS+PC G/F 20%,4 | 0.407 | S.N.A | |
| ...3 | CCM1 | BN63-02183F | COVER-SHEET;Rhcm,PE Vinyl,T0.05,900mm,20 | 0.45 | S.N.A | |
| ...3 | T0004 | BN63-03137A | COVER-STAND BASE;TULIP46,ABS+PMMA,-,-,-, | 1 | S.N.A | |
| ...4 | | BN81-00204P | RESIN-HIGH GLOSS;SF-0505,K21294,ABS HB P | 0.792 | S.N.A | |
| ...3 | T0132 | BN73-00052A | RUBBER FOOT;ARES 17,CR Rubber Gray,T1.5 | 4 | S.N.A | |
| | | | | | S.A | |
| 0.1 | M0002 | BN90-01608B | ASSY COVER REAR;52L530,EO(iDTV) | 1 | S.N.A | |
| ..2 | T0081 | 6002-001294 | SCREW-TAPPING;BH,+,,M4,L16,ZPC(BLK) | 14 | S.A | |
| ..2 | T0081 | 6002-001294 | SCREW-TAPPING;BH,+,,M4,L16,ZPC(BLK) | 2 | S.A | |
| ..2 | C/REAR+H/W | 6011-001610 | BOLT-ETC;M8,L18,ZPC(BLK),SWRCH18A,WSP,PH | 4 | S.N.A | |
| ..2 | M0013 | BN96-06951B | ASSY COVER P-REAR;52L530,EO(iDTV),HIPS,H | 1 | S.A | |
| ...3 | M0006 | BN63-04379A | COVER-REAR;52L550,P3,EO(iDTV),HIPS,-,-,- | 1 | S.N.A | |
| ...4 | | BN81-00199H | RESIN;HIPS HB,BK500,HF-1690H,K2901 | 5.475 | S.N.A | |
| ...3 | T0071 | BN64-00806C | INLAY-TERMINAL;46L550P3,EO(iDTV),PS SHEE | 1 | S.N.A | |
| ...3 | T0064 | BN65-00002A | CLAMPER CORE;BORDEAUX,LDPE,-,-,BLK,- | 1 | S.N.A | |

5. Exploded View & Part List

| Level | Location No. | Code No. | Description & Specification | Q'ty | SA/SNA | Remark |
|-------|--------------|-------------|--|-------|--------|--------|
| | | | | | S.A | |
| 0.1 | M0017 | BN91-02016D | ASSY CHASSIS;LE52A556P1FX/XC,AMLCD | 1 | S.N.A | |
| ..2 | M0014 | BN94-01656D | ASSY PCB MAIN-AMLCD;LE52A556P1FX,N46A | 1 | S.A | |
| ...3 | T0245 | 0202-001608 | SOLDER-WIRE FLUX;LFC7-107,D0.8,99.3Sn/0. | 1.25 | S.N.A | |
| ...3 | JA3114_NSI | 3701-001388 | CONNECTOR-HDMI;20P,Phosphor Bronze,ANGLE | 1 | S.A | |
| ...3 | JA3208_OP | 3701-001480 | CONNECTOR-DSUB;15P,3R,FEMAIL,STAMPED PIN | 1 | S.A | |
| ...3 | CN906 | 3707-001081 | CONNECTOR-OPTICAL;STRAIGHT,SPDIF | 1 | S.A | |
| ...3 | JA7201 | 3709-001508 | CONNECTOR-CARD SLOT;68P,1.27mm,PIN,PCMCIA | 1 | S.A | |
| ...3 | CN330 | 3711-000058 | HEADER-BOARD TO CABLE;BOX,4P,1R,2.5MM,AN | 1 | S.A | |
| ...3 | CN330 | 3711-004379 | HEADER-BOARD TO CABLE;BOX,4P,1R,2mm,STRA | 1 | S.A | |
| ...3 | CN330 | 3711-004379 | HEADER-BOARD TO CABLE;BOX,4P,1R,2mm,STRA | 1 | S.A | |
| ...3 | CN330 | 3711-004484 | HEADER-BOARD TO CABLE;BOX,5P,1R,2mm,STRA | 1 | S.A | |
| ...3 | CN330 | 3711-004531 | HEADER-BOARD TO CABLE;BOX,10P,1R,2mm,ANG | 1 | S.A | |
| ...3 | CN330 | 3711-004712 | HEADER-BOARD TO CABLE;BOX,9P,1R,2mm,STRA | 1 | S.A | |
| ...3 | CN330 | 3711-005842 | HEADER-BOARD TO CABLE;BOX,24P,2R,2MM,STR | 1 | S.A | |
| ...3 | JA330 | 3722-000143 | JACK-PHONE;1P(VER),AG,BLK,ANGLE | 1 | S.A | |
| ...3 | JA330 | 3722-001061 | JACK-PHONE;1P,3.6PI,AG,BLK,N | 1 | S.A | |
| ...3 | JA330 | 3722-001061 | JACK-PHONE;1P,3.6PI,AG,BLK,N | 1 | S.A | |
| ...3 | CN3108_NSI | 3722-002275 | JACK-DIN;4P,-,SN,BLK,- | 1 | S.A | |
| ...3 | CN3111_NSI | 3722-002546 | JACK-USB;4P/1C,AU,BLK,ANGLE,A type | 1 | S.N.A | |
| ...3 | JA3202 | 3722-002681 | JACK-SCART;42P,SN,BLK | 1 | S.A | |
| ...3 | JA333 | 3722-002690 | JACK-PIN;3P,Ni,RED/WHT/YEL,ANGLE | 1 | S.A | |
| ...3 | JA333 | 3722-002691 | JACK-PIN;2P,Ni,WHT/RED,STRAIGHT | 1 | S.A | |
| ...3 | JA333 | 3722-002691 | JACK-PIN;2P,Ni,WHT/RED,STRAIGHT | 1 | S.A | |
| ...3 | JA333 | 3722-002691 | JACK-PIN;2P,Ni,WHT/RED,STRAIGHT | 1 | S.A | |
| ...3 | JA333 | 3722-002703 | JACK-PIN;3P,Ni,GRN/BLU/RED,STRAIGHT | 1 | S.A | |
| ...3 | CIS3 | BN40-00120A | TUNER;TDHG6-K10A,TDHG6-K10A,DVB-T,181CH, | 1 | S.A | |
| ...3 | T0603 | BN63-04510A | SHIELD-PCB MAIN;PEARL32, EO, TOP, SPT, T0. | 1 | S.N.A | |
| ...3 | T0603 | BN63-04512A | SHIELD-PCB MAIN;PEARL32,EO,BOT,SPT, T0.3 | 1 | S.N.A | |
| ...3 | HDCP | BN97-00688B | ASSY HDCP;'MT8202 IC HDCP Key' | 1 | S.N.A | |
|4 | | BN46-00018A | KEY CODE-CERTIFICATE;(HDCP KEY)PPM42M5S, | 1 | S.N.A | |
| ...3 | T0174 | BN97-02033D | ASSY SMD;LE52A556P1F/*,N46A | 1 | S.N.A | |
|4 | SUB05 | 0202-001477 | SOLDER-CREAM;LST309-M,-,D20-45##,96.5Sn/ | 2.999 | S.N.A | |
|4 | D1104 | 0401-001056 | DIODE-SWITCHING;MMBD4148SE,100V,200mA,SO | 1 | S.A | |
|4 | D3101 | 0401-001056 | DIODE-SWITCHING;MMBD4148SE,100V,200mA,SO | 1 | S.A | |
|4 | D3102 | 0401-001056 | DIODE-SWITCHING;MMBD4148SE,100V,200mA,SO | 1 | S.A | |
|4 | D3103 | 0401-001056 | DIODE-SWITCHING;MMBD4148SE,100V,200mA,SO | 1 | S.A | |
|4 | D3104 | 0401-001056 | DIODE-SWITCHING;MMBD4148SE,100V,200mA,SO | 1 | S.A | |
|4 | D3105 | 0401-001056 | DIODE-SWITCHING;MMBD4148SE,100V,200mA,SO | 1 | S.A | |
|4 | D3106 | 0401-001056 | DIODE-SWITCHING;MMBD4148SE,100V,200mA,SO | 1 | S.A | |
|4 | D3108 | 0401-001056 | DIODE-SWITCHING;MMBD4148SE,100V,200mA,SO | 1 | S.A | |
|4 | D3109 | 0401-001056 | DIODE-SWITCHING;MMBD4148SE,100V,200mA,SO | 1 | S.A | |
|4 | D3144 | 0401-001056 | DIODE-SWITCHING;MMBD4148SE,100V,200mA,SO | 1 | S.A | |
|4 | D3146 | 0401-001056 | DIODE-SWITCHING;MMBD4148SE,100V,200mA,SO | 1 | S.A | |
|4 | D3147 | 0401-001056 | DIODE-SWITCHING;MMBD4148SE,100V,200mA,SO | 1 | S.A | |
|4 | D3149 | 0401-001056 | DIODE-SWITCHING;MMBD4148SE,100V,200mA,SO | 1 | S.A | |
|4 | D3150 | 0401-001056 | DIODE-SWITCHING;MMBD4148SE,100V,200mA,SO | 1 | S.A | |
|4 | D3151 | 0401-001056 | DIODE-SWITCHING;MMBD4148SE,100V,200mA,SO | 1 | S.A | |
|4 | D3152 | 0401-001056 | DIODE-SWITCHING;MMBD4148SE,100V,200mA,SO | 1 | S.A | |
|4 | D3153 | 0401-001056 | DIODE-SWITCHING;MMBD4148SE,100V,200mA,SO | 1 | S.A | |
|4 | D3154 | 0401-001056 | DIODE-SWITCHING;MMBD4148SE,100V,200mA,SO | 1 | S.A | |

| Level | Location No. | Code No. | Description & Specification | Q'ty | SA/SNA | Remark |
|-------|--------------|-------------|--|------|--------|--------|
| ...4 | D3155 | 0401-001056 | DIODE-SWITCHING;MMBD4148SE,100V,200mA,SO | 1 | S.A | |
| ...4 | D3158 | 0401-001056 | DIODE-SWITCHING;MMBD4148SE,100V,200mA,SO | 1 | S.A | |
| ...4 | D3159 | 0401-001056 | DIODE-SWITCHING;MMBD4148SE,100V,200mA,SO | 1 | S.A | |
| ...4 | D3161 | 0401-001056 | DIODE-SWITCHING;MMBD4148SE,100V,200mA,SO | 1 | S.A | |
| ...4 | D3162 | 0401-001056 | DIODE-SWITCHING;MMBD4148SE,100V,200mA,SO | 1 | S.A | |
| ...4 | D3163 | 0401-001056 | DIODE-SWITCHING;MMBD4148SE,100V,200mA,SO | 1 | S.A | |
| ...4 | D3165 | 0401-001056 | DIODE-SWITCHING;MMBD4148SE,100V,200mA,SO | 1 | S.A | |
| ...4 | D3166 | 0401-001056 | DIODE-SWITCHING;MMBD4148SE,100V,200mA,SO | 1 | S.A | |
| ...4 | D3168 | 0401-001056 | DIODE-SWITCHING;MMBD4148SE,100V,200mA,SO | 1 | S.A | |
| ...4 | D3170 | 0401-001056 | DIODE-SWITCHING;MMBD4148SE,100V,200mA,SO | 1 | S.A | |
| ...4 | D3173 | 0401-001056 | DIODE-SWITCHING;MMBD4148SE,100V,200mA,SO | 1 | S.A | |
| ...4 | D3195 | 0401-001056 | DIODE-SWITCHING;MMBD4148SE,100V,200mA,SO | 1 | S.A | |
| ...4 | D3196 | 0401-001056 | DIODE-SWITCHING;MMBD4148SE,100V,200mA,SO | 1 | S.A | |
| ...4 | D3197 | 0401-001056 | DIODE-SWITCHING;MMBD4148SE,100V,200mA,SO | 1 | S.A | |
| ...4 | D3198 | 0401-001056 | DIODE-SWITCHING;MMBD4148SE,100V,200mA,SO | 1 | S.A | |
| ...4 | D3200 | 0401-001056 | DIODE-SWITCHING;MMBD4148SE,100V,200mA,SO | 1 | S.A | |
| ...4 | D3201 | 0401-001056 | DIODE-SWITCHING;MMBD4148SE,100V,200mA,SO | 1 | S.A | |
| ...4 | D3202 | 0401-001056 | DIODE-SWITCHING;MMBD4148SE,100V,200mA,SO | 1 | S.A | |
| ...4 | D3203 | 0401-001056 | DIODE-SWITCHING;MMBD4148SE,100V,200mA,SO | 1 | S.A | |
| ...4 | D3204 | 0401-001056 | DIODE-SWITCHING;MMBD4148SE,100V,200mA,SO | 1 | S.A | |
| ...4 | D3206 | 0401-001056 | DIODE-SWITCHING;MMBD4148SE,100V,200mA,SO | 1 | S.A | |
| ...4 | D3207 | 0401-001056 | DIODE-SWITCHING;MMBD4148SE,100V,200mA,SO | 1 | S.A | |
| ...4 | D3254 | 0401-001056 | DIODE-SWITCHING;MMBD4148SE,100V,200mA,SO | 1 | S.A | |
| ...4 | D3255 | 0401-001056 | DIODE-SWITCHING;MMBD4148SE,100V,200mA,SO | 1 | S.A | |
| ...4 | D3256 | 0401-001056 | DIODE-SWITCHING;MMBD4148SE,100V,200mA,SO | 1 | S.A | |
| ...4 | D5501_CEC | 0401-001056 | DIODE-SWITCHING;MMBD4148SE,100V,200mA,SO | 1 | S.A | |
| ...4 | D2105 | 0401-001099 | DIODE-SWITCHING;1N4148WS,75V,150mA,SOD-3 | 1 | S.A | |
| ...4 | D2106 | 0401-001099 | DIODE-SWITCHING;1N4148WS,75V,150mA,SOD-3 | 1 | S.A | |
| ...4 | D2201 | 0401-001099 | DIODE-SWITCHING;1N4148WS,75V,150mA,SOD-3 | 1 | S.A | |
| ...4 | D3118 | 0401-001099 | DIODE-SWITCHING;1N4148WS,75V,150mA,SOD-3 | 1 | S.A | |
| ...4 | D3120 | 0401-001099 | DIODE-SWITCHING;1N4148WS,75V,150mA,SOD-3 | 1 | S.A | |
| ...4 | D3123 | 0401-001099 | DIODE-SWITCHING;1N4148WS,75V,150mA,SOD-3 | 1 | S.A | |
| ...4 | D5104 | 0401-001099 | DIODE-SWITCHING;1N4148WS,75V,150mA,SOD-3 | 1 | S.A | |
| ...4 | D5105 | 0401-001099 | DIODE-SWITCHING;1N4148WS,75V,150mA,SOD-3 | 1 | S.A | |
| ...4 | D5201 | 0401-001099 | DIODE-SWITCHING;1N4148WS,75V,150mA,SOD-3 | 1 | S.A | |
| ...4 | D0254 | 0402-000553 | DIODE-SCHOTTKY;SS24/B240,40V,2000mA,DO-2 | 1 | S.A | |
| ...4 | D0254 | 0402-000553 | DIODE-SCHOTTKY;SS24/B240,40V,2000mA,DO-2 | 1 | S.A | |
| ...4 | D1211_NCMO | 0402-001098 | DIODE-RECTIFIER;SK34,40V,3A,SMC,TP | 1 | S.A | |
| ...4 | D2107 | 0403-000002 | DIODE-ZENER;VLZ5V6B,5.45/5.73V,500mW,SOD | 1 | S.A | |
| ...4 | D3115 | 0403-000002 | DIODE-ZENER;VLZ5V6B,5.45/5.73V,500mW,SOD | 1 | S.A | |
| ...4 | D3125 | 0403-000002 | DIODE-ZENER;VLZ5V6B,5.45/5.73V,500mW,SOD | 1 | S.A | |
| ...4 | D3126 | 0403-000002 | DIODE-ZENER;VLZ5V6B,5.45/5.73V,500mW,SOD | 1 | S.A | |
| ...4 | D3129 | 0403-000002 | DIODE-ZENER;VLZ5V6B,5.45/5.73V,500mW,SOD | 1 | S.A | |
| ...4 | D3132 | 0403-000002 | DIODE-ZENER;VLZ5V6B,5.45/5.73V,500mW,SOD | 1 | S.A | |
| ...4 | D3134 | 0403-000002 | DIODE-ZENER;VLZ5V6B,5.45/5.73V,500mW,SOD | 1 | S.A | |
| ...4 | D3137 | 0403-000002 | DIODE-ZENER;VLZ5V6B,5.45/5.73V,500mW,SOD | 1 | S.A | |
| ...4 | D3148 | 0403-000002 | DIODE-ZENER;VLZ5V6B,5.45/5.73V,500mW,SOD | 1 | S.A | |
| ...4 | D3186_NSID | 0403-000002 | DIODE-ZENER;VLZ5V6B,5.45/5.73V,500mW,SOD | 1 | S.A | |
| ...4 | D3205 | 0403-000002 | DIODE-ZENER;VLZ5V6B,5.45/5.73V,500mW,SOD | 1 | S.A | |
| ...4 | D5103 | 0403-000002 | DIODE-ZENER;VLZ5V6B,5.45/5.73V,500mW,SOD | 1 | S.A | |
| ...4 | D5111 | 0403-000258 | DIODE-ZENER;BZX84C5V6,5.2-6V,225mW,SOT-2 | 1 | S.A | |

5. Exploded View & Part List

| Level | Location No. | Code No. | Description & Specification | Q'ty | SA/SNA | Remark |
|-------|--------------|-------------|--|------|--------|--------|
| ...4 | D5101 | 0403-000584 | DIODE-ZENER;VLZ3V6B,3.6/3.845V,500mW,SOD | 1 | S.N.A | |
| ...4 | D3141 | 0403-000771 | DIODE-ZENER;VLZ6V2B,5.96-6.27V,500mW,SOD | 1 | S.A | |
| ...4 | D3156 | 0403-000771 | DIODE-ZENER;VLZ6V2B,5.96-6.27V,500mW,SOD | 1 | S.A | |
| ...4 | D3191 | 0403-000771 | DIODE-ZENER;VLZ6V2B,5.96-6.27V,500mW,SOD | 1 | S.A | |
| ...4 | D3199 | 0403-001052 | DIODE-ZENER;RD8.2MB,7.7-8.7V,200mW,SOT-2 | 1 | S.A | |
| ...4 | D1111 | 0403-001425 | DIODE-ZENER;BZX84C33,31-35V,350mW,SOT-23 | 1 | S.A | |
| ...4 | D0254 | 0404-001404 | DIODE-SCHOTTKY;BAT721C,40V,200mA,SOT-23, | 1 | S.A | |
| ...4 | D0254 | 0404-001404 | DIODE-SCHOTTKY;BAT721C,40V,200mA,SOT-23, | 1 | S.A | |
| ...4 | D0254 | 0404-001404 | DIODE-SCHOTTKY;BAT721C,40V,200mA,SOT-23, | 1 | S.A | |
| ...4 | D3119 | 0406-001172 | DIODE-TVS;CDS3C30GTH,48/-/50V,SMD | 1 | S.A | |
| ...4 | D3122 | 0406-001172 | DIODE-TVS;CDS3C30GTH,48/-/50V,SMD | 1 | S.A | |
| ...4 | D3138 | 0406-001172 | DIODE-TVS;CDS3C30GTH,48/-/50V,SMD | 1 | S.A | |
| ...4 | D3139 | 0406-001172 | DIODE-TVS;CDS3C30GTH,48/-/50V,SMD | 1 | S.A | |
| ...4 | D3179 | 0406-001172 | DIODE-TVS;CDS3C30GTH,48/-/50V,SMD | 1 | S.A | |
| ...4 | D3180 | 0406-001172 | DIODE-TVS;CDS3C30GTH,48/-/50V,SMD | 1 | S.A | |
| ...4 | D3182_NSID | 0406-001172 | DIODE-TVS;CDS3C30GTH,48/-/50V,SMD | 1 | S.A | |
| ...4 | D3183_NSID | 0406-001172 | DIODE-TVS;CDS3C30GTH,48/-/50V,SMD | 1 | S.A | |
| ...4 | D3184_NSID | 0406-001172 | DIODE-TVS;CDS3C30GTH,48/-/50V,SMD | 1 | S.A | |
| ...4 | D3185_NSID | 0406-001172 | DIODE-TVS;CDS3C30GTH,48/-/50V,SMD | 1 | S.A | |
| ...4 | D3188_NSID | 0406-001172 | DIODE-TVS;CDS3C30GTH,48/-/50V,SMD | 1 | S.A | |
| ...4 | D3189_NSID | 0406-001172 | DIODE-TVS;CDS3C30GTH,48/-/50V,SMD | 1 | S.A | |
| ...4 | D3190_NSID | 0406-001172 | DIODE-TVS;CDS3C30GTH,48/-/50V,SMD | 1 | S.A | |
| ...4 | D3251 | 0406-001172 | DIODE-TVS;CDS3C30GTH,48/-/50V,SMD | 1 | S.A | |
| ...4 | D3252 | 0406-001172 | DIODE-TVS;CDS3C30GTH,48/-/50V,SMD | 1 | S.A | |
| ...4 | D3208 | 0406-001181 | DIODE-TVS;NUP4201MR6,6/-/50V,500W,TSOP-6 | 1 | S.A | |
| ...4 | D2104 | 0407-000123 | DIODE-ARRAY;DAN202K,80V,100mA,CA2-3,SOT- | 1 | S.A | |
| ...4 | D2108 | 0407-000123 | DIODE-ARRAY;DAN202K,80V,100mA,CA2-3,SOT- | 1 | S.A | |
| ...4 | D2110 | 0407-000123 | DIODE-ARRAY;DAN202K,80V,100mA,CA2-3,SOT- | 1 | S.A | |
| ...4 | D7201 | 0407-000123 | DIODE-ARRAY;DAN202K,80V,100mA,CA2-3,SOT- | 1 | S.A | |
| ...4 | D7202 | 0407-000123 | DIODE-ARRAY;DAN202K,80V,100mA,CA2-3,SOT- | 1 | S.A | |
| ...4 | D7203 | 0407-000123 | DIODE-ARRAY;DAN202K,80V,100mA,CA2-3,SOT- | 1 | S.A | |
| ...4 | D7204 | 0407-000123 | DIODE-ARRAY;DAN202K,80V,100mA,CA2-3,SOT- | 1 | S.A | |
| ...4 | D7205 | 0407-000123 | DIODE-ARRAY;DAN202K,80V,100mA,CA2-3,SOT- | 1 | S.A | |
| ...4 | D7206 | 0407-000123 | DIODE-ARRAY;DAN202K,80V,100mA,CA2-3,SOT- | 1 | S.A | |
| ...4 | Q7001 | 0501-000002 | TR-SMALL SIGNAL;KSA812,PNP,150MW,SOT-23, | 1 | S.A | |
| ...4 | Q7002 | 0501-000002 | TR-SMALL SIGNAL;KSA812,PNP,150MW,SOT-23, | 1 | S.A | |
| ...4 | Q5201 | 0501-000434 | TR-SMALL SIGNAL;KTC3875S-GR,NPN,150mW,SO | 1 | S.A | |
| ...4 | Q7402 | 0501-000434 | TR-SMALL SIGNAL;KTC3875S-GR,NPN,150mW,SO | 1 | S.A | |
| ...4 | Q1104 | 0501-000445 | TR-SMALL SIGNAL;KTC3875S-Y,NPN,150mW,SOT | 1 | S.A | |
| ...4 | Q1111 | 0501-000445 | TR-SMALL SIGNAL;KTC3875S-Y,NPN,150mW,SOT | 1 | S.A | |
| ...4 | Q2102 | 0501-000445 | TR-SMALL SIGNAL;KTC3875S-Y,NPN,150mW,SOT | 1 | S.A | |
| ...4 | Q3101 | 0501-000445 | TR-SMALL SIGNAL;KTC3875S-Y,NPN,150mW,SOT | 1 | S.A | |
| ...4 | Q3102 | 0501-000445 | TR-SMALL SIGNAL;KTC3875S-Y,NPN,150mW,SOT | 1 | S.A | |
| ...4 | Q3106 | 0501-000445 | TR-SMALL SIGNAL;KTC3875S-Y,NPN,150mW,SOT | 1 | S.A | |
| ...4 | Q3107 | 0501-000445 | TR-SMALL SIGNAL;KTC3875S-Y,NPN,150mW,SOT | 1 | S.A | |
| ...4 | Q3111 | 0501-000445 | TR-SMALL SIGNAL;KTC3875S-Y,NPN,150mW,SOT | 1 | S.A | |
| ...4 | Q3112 | 0501-000445 | TR-SMALL SIGNAL;KTC3875S-Y,NPN,150mW,SOT | 1 | S.A | |
| ...4 | Q3113 | 0501-000445 | TR-SMALL SIGNAL;KTC3875S-Y,NPN,150mW,SOT | 1 | S.A | |
| ...4 | Q3114 | 0501-000445 | TR-SMALL SIGNAL;KTC3875S-Y,NPN,150mW,SOT | 1 | S.A | |
| ...4 | Q3151_NPN | 0501-000445 | TR-SMALL SIGNAL;KTC3875S-Y,NPN,150mW,SOT | 1 | S.A | |
| ...4 | Q3152_NPN | 0501-000445 | TR-SMALL SIGNAL;KTC3875S-Y,NPN,150mW,SOT | 1 | S.A | |

| Level | Location No. | Code No. | Description & Specification | Q'ty | SA/SNA | Remark |
|-------|--------------|-------------|--|------|--------|--------|
| ...4 | Q5104 | 0501-000445 | TR-SMALL SIGNAL;KTC3875S-Y,NPN,150mW,SOT | 1 | S.A | |
| ...4 | Q5108 | 0501-000445 | TR-SMALL SIGNAL;KTC3875S-Y,NPN,150mW,SOT | 1 | S.A | |
| ...4 | Q5109 | 0501-000445 | TR-SMALL SIGNAL;KTC3875S-Y,NPN,150mW,SOT | 1 | S.A | |
| ...4 | Q5202 | 0501-000445 | TR-SMALL SIGNAL;KTC3875S-Y,NPN,150mW,SOT | 1 | S.A | |
| ...4 | Q6101_DIM | 0501-000445 | TR-SMALL SIGNAL;KTC3875S-Y,NPN,150mW,SOT | 1 | S.A | |
| ...4 | Q2101 | 0501-000669 | TR-SMALL SIGNAL;KTA1505Y,PNP,150mW,SOT-2 | 1 | S.A | |
| ...4 | Q2103 | 0501-000669 | TR-SMALL SIGNAL;KTA1505Y,PNP,150mW,SOT-2 | 1 | S.A | |
| ...4 | Q3104 | 0501-000669 | TR-SMALL SIGNAL;KTA1505Y,PNP,150mW,SOT-2 | 1 | S.A | |
| ...4 | Q3109 | 0501-000669 | TR-SMALL SIGNAL;KTA1505Y,PNP,150mW,SOT-2 | 1 | S.A | |
| ...4 | Q1101_L | 0501-002080 | TR-SMALL SIGNAL;2SC2412K,NPN,200mW,SC-59 | 1 | S.A | |
| ...4 | Q1102_50HZ | 0501-002080 | TR-SMALL SIGNAL;2SC2412K,NPN,200mW,SC-59 | 1 | S.A | |
| ...4 | Q3103 | 0501-002080 | TR-SMALL SIGNAL;2SC2412K,NPN,200mW,SC-59 | 1 | S.A | |
| ...4 | Q3105 | 0501-002080 | TR-SMALL SIGNAL;2SC2412K,NPN,200mW,SC-59 | 1 | S.A | |
| ...4 | Q3108 | 0501-002080 | TR-SMALL SIGNAL;2SC2412K,NPN,200mW,SC-59 | 1 | S.A | |
| ...4 | Q3110 | 0501-002080 | TR-SMALL SIGNAL;2SC2412K,NPN,200mW,SC-59 | 1 | S.A | |
| ...4 | Q3153_NPN | 0501-002080 | TR-SMALL SIGNAL;2SC2412K,NPN,200mW,SC-59 | 1 | S.A | |
| ...4 | Q3116 | 0501-002184 | TR-SMALL SIGNAL;KTD1304,NPN,200mW,SOT-23 | 1 | S.A | |
| ...4 | Q3117 | 0501-002184 | TR-SMALL SIGNAL;KTD1304,NPN,200mW,SOT-23 | 1 | S.A | |
| ...4 | Q409 | 0505-000110 | FET-SILICON;2N7002,N,60V,115mA,7.5ohm,0. | 1 | S.A | |
| ...4 | Q409 | 0505-000110 | FET-SILICON;2N7002,N,60V,115mA,7.5ohm,0. | 1 | S.A | |
| ...4 | Q409 | 0505-000110 | FET-SILICON;2N7002,N,60V,115mA,7.5ohm,0. | 1 | S.A | |
| ...4 | Q409 | 0505-000110 | FET-SILICON;2N7002,N,60V,115mA,7.5ohm,0. | 1 | S.A | |
| ...4 | Q409 | 0505-000110 | FET-SILICON;2N7002,N,60V,115mA,7.5ohm,0. | 1 | S.A | |
| ...4 | Q409 | 0505-001170 | FET-SILICON;SI9933ADY-T1,P,-20V,3.4A,0.0 | 1 | S.A | |
| ...4 | IC104 | 0801-002095 | IC-CMOS LOGIC;74LCX245,TRANSCEIVER,TSSOP | 1 | S.A | |
| ...4 | IC104 | 0801-002172 | IC-CMOS LOGIC;74LCX16244,BUFFER/LINE DRI | 1 | S.A | |
| ...4 | IC104 | 0801-002172 | IC-CMOS LOGIC;74LCX16244,BUFFER/LINE DRI | 1 | S.A | |
| ...4 | IC104 | 0801-002172 | IC-CMOS LOGIC;74LCX16244,BUFFER/LINE DRI | 1 | S.A | |
| ...4 | IC104 | 0801-002432 | IC-CMOS LOGIC;74LVC244,8BIT BUFFER/DRIVE | 1 | S.N.A | |
| ...4 | IC104 | 0801-002630 | IC-CMOS LOGIC;74AHCT1G08,2-INPUT AND GAT | 1 | S.A | |
| ...4 | IC104 | 0801-003239 | IC-CMOS LOGIC;74LVC1G00,2-input NAND Gat | 1 | S.A | |
| ...4 | IC104 | 0801-003239 | IC-CMOS LOGIC;74LVC1G00,2-input NAND Gat | 1 | S.A | |
| ...4 | IC5110 | 1001-000164 | IC-ANALOG MULTIPLEX;74HC4052,CMOS,SOP,16 | 1 | S.A | |
| ...4 | IC106 | 1001-001513 | IC-VIDEO SWITCH;TMDS351PAG,TQFP,64P,9x9m | 1 | S.A | |
| ...4 | IC5108 | 1001-001523 | IC-ANALOG MULTIPLEX;74HC4052PW,TSSOP,16P | 1 | S.A | |
| ...4 | IC107 | 1002-001482 | IC-D/A CONVERTER;WM8521H9GED/R,16bit,SOI | 1 | S.A | |
| ...4 | IC2102 | 1002-001509 | IC-A/D&D/A CONVERTER;MT8291,24bit,LQFP,4 | 1 | S.A | |
| ...4 | IC110 | 1006-001076 | IC-DRIVER/RECEIVER;MAX232ECWE+T,SOP,16P, | 1 | S.A | |
| ...4 | IC112 | 1103-000129 | IC-EEPROM;24C02,2Kbit,256x8Bit,SOP,8P,5x | 1 | S.A | |
| ...4 | IC112 | 1103-000129 | IC-EEPROM;24C02,2Kbit,256x8Bit,SOP,8P,5x | 1 | S.A | |
| ...4 | IC112 | 1103-000129 | IC-EEPROM;24C02,2Kbit,256x8Bit,SOP,8P,5x | 1 | S.A | |
| ...4 | IC112 | 1103-000129 | IC-EEPROM;24C02,2Kbit,256x8Bit,SOP,8P,5x | 1 | S.A | |
| ...4 | IC112 | 1103-001385 | IC-EEPROM;AT24C256,256Kbit,32Kx8,SOP,8P, | 1 | S.A | |
| ...4 | IC112 | 1103-001410 | IC-EEPROM;S-24CS08AFJ-TB-1GE,8Kbit,1Kx8, | 1 | S.A | |
| ...4 | IC113 | 1105-001712 | IC-DRAM;HYB25D256163CE,DDR,256Mbit,16Mx1 | 1 | S.A | |
| ...4 | IC5104 | 1105-001862 | IC-DDR2 SDRAM;K4T56163QI-ZCF7,DDR2 SDRAM | 1 | S.A | |
| ...4 | IC5106 | 1105-001862 | IC-DDR2 SDRAM;K4T56163QI-ZCF7,DDR2 SDRAM | 1 | S.A | |
| ...4 | DU410 | 1201-000166 | IC-OP AMP;LM358,SOP,ST,8P,150MIL,DUAL,10 | 1 | S.A | |
| ...4 | T0124 | 1201-002677 | IC-POWER AMP;NTP3100,QFN56,56P,8x8mm,DUA | 1 | S.A | |
| ...4 | T0087 | 1203-001815 | IC-POSI.FIXED REG.;78M09,TO-252,3P,-,PLA | 1 | S.A | |
| ...4 | T0087 | 1203-002842 | IC-POSI.FIXED REG.;AP1117D-33A,TO-252,3P | 1 | S.A | |

5. Exploded View & Part List

| Level | Location No. | Code No. | Description & Specification | Q'ty | SA/SNA | Remark |
|-------|--------------|-------------|--|------|--------|--------|
| ...4 | T0087 | 1203-002974 | IC-POSI.FIXED REG.;AP1117D-25A,TO-252,3P | 1 | S.A | |
| ...4 | IC012 | 1203-002995 | IC-POSI.ADJUST REG.;AP1117D-A,TO-252,3P, | 1 | S.A | |
| ...4 | IC012 | 1203-002995 | IC-POSI.ADJUST REG.;AP1117D-A,TO-252,3P, | 1 | S.A | |
| ...4 | IC3104 | 1203-003394 | IC-POWER SUPERVISOR;MIC2544-1YM,SOP,8P,4 | 1 | S.A | |
| ...4 | IC7206 | 1203-003394 | IC-POWER SUPERVISOR;MIC2544-1YM,SOP,8P,4 | 1 | S.A | |
| ...4 | T0087 | 1203-003696 | IC-POSI.FIXED REG.;NCP1117DT18T5G,DPAK,3 | 1 | S.A | |
| ...4 | T0087 | 1203-003696 | IC-POSI.FIXED REG.;NCP1117DT18T5G,DPAK,3 | 1 | S.A | |
| ...4 | IC5102 | 1203-004363 | IC-VOL. DETECTOR;RT9818C-29PV,SOT-23,3P, | 1 | S.A | |
| ...4 | IC2103 | 1203-004364 | IC-VOL. DETECTOR;RT9818C-42PV,SOT-23,3P, | 1 | S.A | |
| ...4 | IC7402 | 1203-004364 | IC-VOL. DETECTOR;RT9818C-42PV,SOT-23,3P, | 1 | S.A | |
| ...4 | T0087 | 1203-004816 | IC-POSI.FIXED REG.;KIA78D015F,DPAK,3P,6. | 1 | S.A | |
| ...4 | T0170 | 1203-004868 | IC-SWITCH VOL. REG.;MP2363,SOIC,8P,4.9x3 | 1 | S.A | |
| ...4 | T0170 | 1203-004868 | IC-SWITCH VOL. REG.;MP2363,SOIC,8P,4.9x3 | 1 | S.A | |
| ...4 | IC012 | 1203-005218 | IC-POSI.ADJUST REG.;AP1086DL,TO-252,3P,6 | 1 | S.A | |
| ...4 | IC118 | 1204-002779 | IC-VIDEO PROCESS;S4LF122X01,PBGA,208P,17 | 1 | S.A | |
| ...4 | IC7001 | 1204-002861 | IC-DECODER;UPD61211GM-104-GAA-A,QFP,216P | 1 | S.A | |
| ...4 | IC118 | 1204-002869 | IC-VIDEO PROCESS;MT8226FJ,BGA,569P,31x31 | 1 | S.A | |
| ...4 | D3107 | 1405-001185 | VARISTOR;24Vdc,1.6x0.8x0.36mm,TP | 1 | S.A | |
| ...4 | D3110 | 1405-001185 | VARISTOR;24Vdc,1.6x0.8x0.36mm,TP | 1 | S.A | |
| ...4 | D3113 | 1405-001185 | VARISTOR;24Vdc,1.6x0.8x0.36mm,TP | 1 | S.A | |
| ...4 | D5502 | 1405-001185 | VARISTOR;24Vdc,1.6x0.8x0.36mm,TP | 1 | S.A | |
| ...4 | R110 | 2007-000029 | R-CHIP;0ohm,5%,1/8W,TP,2012 | 1 | S.A | |
| ...4 | R110 | 2007-000029 | R-CHIP;0ohm,5%,1/8W,TP,2012 | 1 | S.A | |
| ...4 | R110 | 2007-000040 | R-CHIP;150ohm,1%,1/10W,TP,1608 | 1 | S.A | |
| ...4 | R110 | 2007-000052 | R-CHIP;10Kohm,1%,1/10W,TP,1608 | 1 | S.A | |
| ...4 | R110 | 2007-000052 | R-CHIP;10Kohm,1%,1/10W,TP,1608 | 1 | S.A | |
| ...4 | R110 | 2007-000052 | R-CHIP;10Kohm,1%,1/10W,TP,1608 | 1 | S.A | |
| ...4 | R110 | 2007-000052 | R-CHIP;10Kohm,1%,1/10W,TP,1608 | 1 | S.A | |
| ...4 | R110 | 2007-000052 | R-CHIP;10Kohm,1%,1/10W,TP,1608 | 1 | S.A | |
| ...4 | R110 | 2007-000052 | R-CHIP;10Kohm,1%,1/10W,TP,1608 | 1 | S.A | |
| ...4 | R110 | 2007-000052 | R-CHIP;10Kohm,1%,1/10W,TP,1608 | 1 | S.A | |
| ...4 | R110 | 2007-000052 | R-CHIP;10Kohm,1%,1/10W,TP,1608 | 1 | S.A | |
| ...4 | R110 | 2007-000052 | R-CHIP;10Kohm,1%,1/10W,TP,1608 | 1 | S.A | |
| ...4 | R110 | 2007-000052 | R-CHIP;10Kohm,1%,1/10W,TP,1608 | 1 | S.A | |
| ...4 | R110 | 2007-000052 | R-CHIP;10Kohm,1%,1/10W,TP,1608 | 1 | S.A | |
| ...4 | R110 | 2007-000052 | R-CHIP;10Kohm,1%,1/10W,TP,1608 | 1 | S.A | |
| ...4 | R110 | 2007-000052 | R-CHIP;10Kohm,1%,1/10W,TP,1608 | 1 | S.A | |
| ...4 | R110 | 2007-000052 | R-CHIP;10Kohm,1%,1/10W,TP,1608 | 1 | S.A | |
| ...4 | R110 | 2007-000052 | R-CHIP;10Kohm,1%,1/10W,TP,1608 | 1 | S.A | |
| ...4 | R110 | 2007-000067 | R-CHIP;15Kohm,1%,1/10W,TP,1608 | 1 | S.A | |
| ...4 | R110 | 2007-000070 | R-CHIP;0ohm,5%,1/10W,TP,1608 | 1 | S.A | |
| ...4 | R110 | 2007-000070 | R-CHIP;0ohm,5%,1/10W,TP,1608 | 1 | S.A | |
| ...4 | R110 | 2007-000070 | R-CHIP;0ohm,5%,1/10W,TP,1608 | 1 | S.A | |
| ...4 | R110 | 2007-000070 | R-CHIP;0ohm,5%,1/10W,TP,1608 | 1 | S.A | |
| ...4 | R110 | 2007-000070 | R-CHIP;0ohm,5%,1/10W,TP,1608 | 1 | S.A | |
| ...4 | R110 | 2007-000074 | R-CHIP;100ohm,5%,1/10W,TP,1608 | 1 | S.A | |
| ...4 | R110 | 2007-000074 | R-CHIP;100ohm,5%,1/10W,TP,1608 | 1 | S.A | |
| ...4 | R110 | 2007-000074 | R-CHIP;100ohm,5%,1/10W,TP,1608 | 1 | S.A | |
| ...4 | R110 | 2007-000074 | R-CHIP;100ohm,5%,1/10W,TP,1608 | 1 | S.A | |
| ...4 | R110 | 2007-000074 | R-CHIP;100ohm,5%,1/10W,TP,1608 | 1 | S.A | |
| ...4 | R110 | 2007-000074 | R-CHIP;100ohm,5%,1/10W,TP,1608 | 1 | S.A | |
| ...4 | R110 | 2007-000074 | R-CHIP;100ohm,5%,1/10W,TP,1608 | 1 | S.A | |
| ...4 | R110 | 2007-000078 | R-CHIP;1Kohm,5%,1/10W,TP,1608 | 1 | S.A | |

5. Exploded View & Part List

| Level | Location No. | Code No. | Description & Specification | Q'ty | SA/SNA | Remark |
|-------|--------------|-------------|---------------------------------|------|--------|--------|
| ...4 | R110 | 2007-000174 | R-CHIP;47ohm,5%,1/16W,TP,1005 | 1 | S.N.A | |
| ...4 | R110 | 2007-000174 | R-CHIP;47ohm,5%,1/16W,TP,1005 | 1 | S.N.A | |
| ...4 | R110 | 2007-000174 | R-CHIP;47ohm,5%,1/16W,TP,1005 | 1 | S.N.A | |
| ...4 | R110 | 2007-000174 | R-CHIP;47ohm,5%,1/16W,TP,1005 | 1 | S.N.A | |
| ...4 | R110 | 2007-000174 | R-CHIP;47ohm,5%,1/16W,TP,1005 | 1 | S.N.A | |
| ...4 | R110 | 2007-000174 | R-CHIP;47ohm,5%,1/16W,TP,1005 | 1 | S.N.A | |
| ...4 | R110 | 2007-000174 | R-CHIP;47ohm,5%,1/16W,TP,1005 | 1 | S.N.A | |
| ...4 | R110 | 2007-000174 | R-CHIP;47ohm,5%,1/16W,TP,1005 | 1 | S.N.A | |
| ...4 | R110 | 2007-000174 | R-CHIP;47ohm,5%,1/16W,TP,1005 | 1 | S.N.A | |
| ...4 | R110 | 2007-000174 | R-CHIP;47ohm,5%,1/16W,TP,1005 | 1 | S.N.A | |
| ...4 | R110 | 2007-000174 | R-CHIP;47ohm,5%,1/16W,TP,1005 | 1 | S.N.A | |
| ...4 | R110 | 2007-000174 | R-CHIP;47ohm,5%,1/16W,TP,1005 | 1 | S.N.A | |
| ...4 | R110 | 2007-000174 | R-CHIP;47ohm,5%,1/16W,TP,1005 | 1 | S.N.A | |
| ...4 | R110 | 2007-000174 | R-CHIP;47ohm,5%,1/16W,TP,1005 | 1 | S.N.A | |
| ...4 | R110 | 2007-000174 | R-CHIP;47ohm,5%,1/16W,TP,1005 | 1 | S.N.A | |
| ...4 | R110 | 2007-000174 | R-CHIP;47ohm,5%,1/16W,TP,1005 | 1 | S.N.A | |
| ...4 | R110 | 2007-000174 | R-CHIP;47ohm,5%,1/16W,TP,1005 | 1 | S.N.A | |
| ...4 | R110 | 2007-000174 | R-CHIP;47ohm,5%,1/16W,TP,1005 | 1 | S.N.A | |
| ...4 | R110 | 2007-000242 | R-CHIP;1.5KOHM,5%,1/16W,TP,1005 | 1 | S.N.A | |
| ...4 | R110 | 2007-000416 | R-CHIP;15ohm,5%,1/10W,TP,1608 | 1 | S.A | |
| ...4 | R110 | 2007-000458 | R-CHIP;18Kohm,5%,1/10W,TP,1608 | 1 | S.A | |
| ...4 | R110 | 2007-000458 | R-CHIP;18Kohm,5%,1/10W,TP,1608 | 1 | S.A | |
| ...4 | R110 | 2007-000539 | R-CHIP;200ohm,5%,1/10W,TP,1608 | 1 | S.A | |
| ...4 | R110 | 2007-000539 | R-CHIP;200ohm,5%,1/10W,TP,1608 | 1 | S.A | |
| ...4 | R110 | 2007-000539 | R-CHIP;200ohm,5%,1/10W,TP,1608 | 1 | S.A | |
| ...4 | R110 | 2007-000539 | R-CHIP;200ohm,5%,1/10W,TP,1608 | 1 | S.A | |
| ...4 | R110 | 2007-000570 | R-CHIP;220OHM,1%,1/10W,TP,1608 | 1 | S.A | |
| ...4 | R110 | 2007-000583 | R-CHIP;22Kohm,1%,1/10W,TP,1608 | 1 | S.A | |
| ...4 | R110 | 2007-000591 | R-CHIP;22ohm,1%,1/10W,TP,1608 | 1 | S.A | |
| ...4 | R110 | 2007-000606 | R-CHIP;240ohm,1%,1/10W,TP,1608 | 1 | S.A | |
| ...4 | R110 | 2007-000608 | R-CHIP;240ohm,5%,1/10W,TP,1608 | 1 | S.A | |
| ...4 | R110 | 2007-000608 | R-CHIP;240ohm,5%,1/10W,TP,1608 | 1 | S.A | |
| ...4 | R110 | 2007-000763 | R-CHIP;330ohm,1%,1/10W,TP,1608 | 1 | S.A | |
| ...4 | R110 | 2007-000775 | R-CHIP;33KOHM,5%,1/16W,TP,1005 | 1 | S.N.A | |
| ...4 | R110 | 2007-000775 | R-CHIP;33KOHM,5%,1/16W,TP,1005 | 1 | S.N.A | |
| ...4 | R110 | 2007-000775 | R-CHIP;33KOHM,5%,1/16W,TP,1005 | 1 | S.N.A | |
| ...4 | R110 | 2007-000775 | R-CHIP;33KOHM,5%,1/16W,TP,1005 | 1 | S.N.A | |
| ...4 | R110 | 2007-000775 | R-CHIP;33KOHM,5%,1/16W,TP,1005 | 1 | S.N.A | |
| ...4 | R110 | 2007-000775 | R-CHIP;33KOHM,5%,1/16W,TP,1005 | 1 | S.N.A | |
| ...4 | R110 | 2007-000775 | R-CHIP;33KOHM,5%,1/16W,TP,1005 | 1 | S.N.A | |
| ...4 | R110 | 2007-000775 | R-CHIP;33KOHM,5%,1/16W,TP,1005 | 1 | S.N.A | |
| ...4 | R110 | 2007-000775 | R-CHIP;33KOHM,5%,1/16W,TP,1005 | 1 | S.N.A | |
| ...4 | R110 | 2007-000775 | R-CHIP;33KOHM,5%,1/16W,TP,1005 | 1 | S.N.A | |
| ...4 | R110 | 2007-000775 | R-CHIP;33KOHM,5%,1/16W,TP,1005 | 1 | S.N.A | |
| ...4 | R110 | 2007-000775 | R-CHIP;33KOHM,5%,1/16W,TP,1005 | 1 | S.N.A | |
| ...4 | R110 | 2007-000775 | R-CHIP;33KOHM,5%,1/16W,TP,1005 | 1 | S.N.A | |
| ...4 | R110 | 2007-000775 | R-CHIP;33KOHM,5%,1/16W,TP,1005 | 1 | S.N.A | |
| ...4 | R110 | 2007-000775 | R-CHIP;33KOHM,5%,1/16W,TP,1005 | 1 | S.N.A | |
| ...4 | R110 | 2007-000775 | R-CHIP;33KOHM,5%,1/16W,TP,1005 | 1 | S.N.A | |
| ...4 | R110 | 2007-000775 | R-CHIP;33KOHM,5%,1/16W,TP,1005 | 1 | S.N.A | |
| ...4 | R110 | 2007-000828 | R-CHIP;39Kohm,1%,1/10W,TP,1608 | 1 | S.A | |

| Level | Location No. | Code No. | Description & Specification | Q'ty | SA/SNA | Remark |
|-------|--------------|-------------|--|------|--------|--------|
| ...4 | R110 | 2007-007297 | R-CHIP;110ohm,1%,1/10W,TP,1608 | 1 | S.A | |
| ...4 | R110 | 2007-007297 | R-CHIP;110ohm,1%,1/10W,TP,1608 | 1 | S.A | |
| ...4 | R110 | 2007-007306 | R-CHIP;100ohm,1%,1/16W,TP,1005 | 1 | S.N.A | |
| ...4 | R110 | 2007-007306 | R-CHIP;100ohm,1%,1/16W,TP,1005 | 1 | S.N.A | |
| ...4 | R110 | 2007-007306 | R-CHIP;100ohm,1%,1/16W,TP,1005 | 1 | S.N.A | |
| ...4 | R110 | 2007-007306 | R-CHIP;100ohm,1%,1/16W,TP,1005 | 1 | S.N.A | |
| ...4 | R110 | 2007-007306 | R-CHIP;100ohm,1%,1/16W,TP,1005 | 1 | S.N.A | |
| ...4 | R110 | 2007-007306 | R-CHIP;100ohm,1%,1/16W,TP,1005 | 1 | S.N.A | |
| ...4 | R110 | 2007-007306 | R-CHIP;100ohm,1%,1/16W,TP,1005 | 1 | S.N.A | |
| ...4 | R110 | 2007-007306 | R-CHIP;100ohm,1%,1/16W,TP,1005 | 1 | S.N.A | |
| ...4 | R110 | 2007-007306 | R-CHIP;100ohm,1%,1/16W,TP,1005 | 1 | S.N.A | |
| ...4 | R110 | 2007-007306 | R-CHIP;100ohm,1%,1/16W,TP,1005 | 1 | S.N.A | |
| ...4 | R110 | 2007-007318 | R-CHIP;1Kohm,1%,1/16W,TP,1005 | 1 | S.N.A | |
| ...4 | R110 | 2007-007318 | R-CHIP;1Kohm,1%,1/16W,TP,1005 | 1 | S.N.A | |
| ...4 | R110 | 2007-007318 | R-CHIP;1Kohm,1%,1/16W,TP,1005 | 1 | S.N.A | |
| ...4 | R110 | 2007-007698 | R-CHIP;5.1KOHM,1%,1/16W,TP,1005 | 1 | S.N.A | |
| ...4 | R110 | 2007-007723 | R-CHIP;75Kohm,1%,1/10W,TP,1608 | 1 | S.A | |
| ...4 | RA5104 | 2011-000585 | R-NETWORK;47ohm,5%,1/16W,L,CHIP,8P,TP,3. | 1 | S.A | |
| ...4 | RA5105 | 2011-000585 | R-NETWORK;47ohm,5%,1/16W,L,CHIP,8P,TP,3. | 1 | S.A | |
| ...4 | RA5106 | 2011-000585 | R-NETWORK;47ohm,5%,1/16W,L,CHIP,8P,TP,3. | 1 | S.A | |
| ...4 | RA5107 | 2011-000585 | R-NETWORK;47ohm,5%,1/16W,L,CHIP,8P,TP,3. | 1 | S.A | |
| ...4 | RA5108 | 2011-000585 | R-NETWORK;47ohm,5%,1/16W,L,CHIP,8P,TP,3. | 1 | S.A | |
| ...4 | RA5109 | 2011-000585 | R-NETWORK;47ohm,5%,1/16W,L,CHIP,8P,TP,3. | 1 | S.A | |
| ...4 | RA3101 | 2011-000651 | R-NETWORK;10ohm,5%,1/16W,L,CHIP,8P,TP,32 | 1 | S.A | |
| ...4 | RA3102 | 2011-000651 | R-NETWORK;10ohm,5%,1/16W,L,CHIP,8P,TP,32 | 1 | S.A | |
| ...4 | RA3103 | 2011-000651 | R-NETWORK;10ohm,5%,1/16W,L,CHIP,8P,TP,32 | 1 | S.A | |
| ...4 | RA3104 | 2011-000651 | R-NETWORK;10ohm,5%,1/16W,L,CHIP,8P,TP,32 | 1 | S.A | |
| ...4 | RA3109 | 2011-000651 | R-NETWORK;10ohm,5%,1/16W,L,CHIP,8P,TP,32 | 1 | S.A | |
| ...4 | RA3110 | 2011-000651 | R-NETWORK;10ohm,5%,1/16W,L,CHIP,8P,TP,32 | 1 | S.A | |
| ...4 | RA3111 | 2011-000651 | R-NETWORK;10ohm,5%,1/16W,L,CHIP,8P,TP,32 | 1 | S.A | |
| ...4 | RA3112 | 2011-000651 | R-NETWORK;10ohm,5%,1/16W,L,CHIP,8P,TP,32 | 1 | S.A | |
| ...4 | RA3117 | 2011-000651 | R-NETWORK;10ohm,5%,1/16W,L,CHIP,8P,TP,32 | 1 | S.A | |
| ...4 | RA3118 | 2011-000651 | R-NETWORK;10ohm,5%,1/16W,L,CHIP,8P,TP,32 | 1 | S.A | |
| ...4 | RA5101 | 2011-000816 | R-NETWORK;100ohm,5%,1/16W,L,CHIP,8P,TP,3 | 1 | S.A | |
| ...4 | RA7104 | 2011-000816 | R-NETWORK;100ohm,5%,1/16W,L,CHIP,8P,TP,3 | 1 | S.A | |
| ...4 | RA2101 | 2011-000881 | R-NETWORK;33ohm,5%,1/16W,L,CHIP,8P,TP,3. | 1 | S.A | |
| ...4 | RA3115 | 2011-000881 | R-NETWORK;33ohm,5%,1/16W,L,CHIP,8P,TP,3. | 1 | S.A | |
| ...4 | RA3116 | 2011-000881 | R-NETWORK;33ohm,5%,1/16W,L,CHIP,8P,TP,3. | 1 | S.A | |
| ...4 | RA5102 | 2011-000881 | R-NETWORK;33ohm,5%,1/16W,L,CHIP,8P,TP,3. | 1 | S.A | |
| ...4 | RA5103 | 2011-000881 | R-NETWORK;33ohm,5%,1/16W,L,CHIP,8P,TP,3. | 1 | S.A | |
| ...4 | RA7103 | 2011-000881 | R-NETWORK;33ohm,5%,1/16W,L,CHIP,8P,TP,3. | 1 | S.A | |
| ...4 | RA7105 | 2011-000881 | R-NETWORK;33ohm,5%,1/16W,L,CHIP,8P,TP,3. | 1 | S.A | |
| ...4 | RA7107 | 2011-000881 | R-NETWORK;33ohm,5%,1/16W,L,CHIP,8P,TP,3. | 1 | S.A | |
| ...4 | RA7108 | 2011-000881 | R-NETWORK;33ohm,5%,1/16W,L,CHIP,8P,TP,3. | 1 | S.A | |
| ...4 | RA7203 | 2011-000881 | R-NETWORK;33ohm,5%,1/16W,L,CHIP,8P,TP,3. | 1 | S.A | |
| ...4 | RA7204 | 2011-000881 | R-NETWORK;33ohm,5%,1/16W,L,CHIP,8P,TP,3. | 1 | S.A | |
| ...4 | R3337_NSID | 2011-001001 | R-NETWORK;0ohm,5%,1/16W,L,CHIP,8P,TP,3.2 | 1 | S.A | |
| ...4 | R3338_NSID | 2011-001001 | R-NETWORK;0ohm,5%,1/16W,L,CHIP,8P,TP,3.2 | 1 | S.A | |
| ...4 | R3339_NSID | 2011-001001 | R-NETWORK;0ohm,5%,1/16W,L,CHIP,8P,TP,3.2 | 1 | S.A | |
| ...4 | RA5243 | 2011-001001 | R-NETWORK;0ohm,5%,1/16W,L,CHIP,8P,TP,3.2 | 1 | S.A | |
| ...4 | RA5244 | 2011-001001 | R-NETWORK;0ohm,5%,1/16W,L,CHIP,8P,TP,3.2 | 1 | S.A | |
| ...4 | RA5245 | 2011-001001 | R-NETWORK;0ohm,5%,1/16W,L,CHIP,8P,TP,3.2 | 1 | S.A | |

5. Exploded View & Part List

| Level | Location No. | Code No. | Description & Specification | Q'ty | SA/SNA | Remark |
|-------|--------------|-------------|--|------|--------|--------|
| ...4 | RA5246 | 2011-001001 | R-NETWORK;0ohm,5%,1/16W,L,CHIP,8P,TP,3.2 | 1 | S.A | |
| ...4 | RA5247 | 2011-001001 | R-NETWORK;0ohm,5%,1/16W,L,CHIP,8P,TP,3.2 | 1 | S.A | |
| ...4 | RA6101 | 2011-001001 | R-NETWORK;0ohm,5%,1/16W,L,CHIP,8P,TP,3.2 | 1 | S.A | |
| ...4 | RA6169 | 2011-001001 | R-NETWORK;0ohm,5%,1/16W,L,CHIP,8P,TP,3.2 | 1 | S.A | |
| ...4 | RA6170 | 2011-001001 | R-NETWORK;0ohm,5%,1/16W,L,CHIP,8P,TP,3.2 | 1 | S.A | |
| ...4 | RA6172 | 2011-001001 | R-NETWORK;0ohm,5%,1/16W,L,CHIP,8P,TP,3.2 | 1 | S.A | |
| ...4 | RA6173 | 2011-001001 | R-NETWORK;0ohm,5%,1/16W,L,CHIP,8P,TP,3.2 | 1 | S.A | |
| ...4 | RA7009 | 2011-001011 | R-NETWORK;10Kohm,5%,1/16W,L,CHIP,8P,TP,3 | 1 | S.A | |
| ...4 | RA7010 | 2011-001011 | R-NETWORK;10Kohm,5%,1/16W,L,CHIP,8P,TP,3 | 1 | S.A | |
| ...4 | RA7011 | 2011-001011 | R-NETWORK;10Kohm,5%,1/16W,L,CHIP,8P,TP,3 | 1 | S.A | |
| ...4 | RA7012 | 2011-001011 | R-NETWORK;10Kohm,5%,1/16W,L,CHIP,8P,TP,3 | 1 | S.A | |
| ...4 | RA7209 | 2011-001011 | R-NETWORK;10Kohm,5%,1/16W,L,CHIP,8P,TP,3 | 1 | S.A | |
| ...4 | RA7001 | 2011-001087 | R-NETWORK;75ohm,5%,1/16W,L,CHIP,8P,TP,3. | 1 | S.A | |
| ...4 | RA7002 | 2011-001087 | R-NETWORK;75ohm,5%,1/16W,L,CHIP,8P,TP,3. | 1 | S.A | |
| ...4 | RA7003 | 2011-001087 | R-NETWORK;75ohm,5%,1/16W,L,CHIP,8P,TP,3. | 1 | S.A | |
| ...4 | RA7004 | 2011-001087 | R-NETWORK;75ohm,5%,1/16W,L,CHIP,8P,TP,3. | 1 | S.A | |
| ...4 | RA7005 | 2011-001087 | R-NETWORK;75ohm,5%,1/16W,L,CHIP,8P,TP,3. | 1 | S.A | |
| ...4 | RA7006 | 2011-001087 | R-NETWORK;75ohm,5%,1/16W,L,CHIP,8P,TP,3. | 1 | S.A | |
| ...4 | RA7007 | 2011-001087 | R-NETWORK;75ohm,5%,1/16W,L,CHIP,8P,TP,3. | 1 | S.A | |
| ...4 | RA7008 | 2011-001087 | R-NETWORK;75ohm,5%,1/16W,L,CHIP,8P,TP,3. | 1 | S.A | |
| ...4 | RA7101 | 2011-001087 | R-NETWORK;75ohm,5%,1/16W,L,CHIP,8P,TP,3. | 1 | S.A | |
| ...4 | RA7205 | 2011-001087 | R-NETWORK;75ohm,5%,1/16W,L,CHIP,8P,TP,3. | 1 | S.A | |
| ...4 | RA7210 | 2011-001087 | R-NETWORK;75ohm,5%,1/16W,L,CHIP,8P,TP,3. | 1 | S.A | |
| ...4 | RA2102 | 2011-001093 | R-NETWORK;100ohm,5%,1/16W,L,CHIP,8P,TP,3 | 1 | S.A | |
| ...4 | RA2103 | 2011-001093 | R-NETWORK;100ohm,5%,1/16W,L,CHIP,8P,TP,3 | 1 | S.A | |
| ...4 | RA7201 | 2011-001093 | R-NETWORK;100ohm,5%,1/16W,L,CHIP,8P,TP,3 | 1 | S.A | |
| ...4 | RA7202 | 2011-001093 | R-NETWORK;100ohm,5%,1/16W,L,CHIP,8P,TP,3 | 1 | S.A | |
| ...4 | C120 | 2203-000206 | C-CER,CHIP;100nF,10%,50V,X7R,2012 | 1 | S.A | |
| ...4 | C120 | 2203-000233 | C-CER,CHIP;0.1nF,5%,50V,C0G,1005 | 1 | S.A | |
| ...4 | C120 | 2203-000233 | C-CER,CHIP;0.1nF,5%,50V,C0G,1005 | 1 | S.A | |
| ...4 | C120 | 2203-000233 | C-CER,CHIP;0.1nF,5%,50V,C0G,1005 | 1 | S.A | |
| ...4 | C120 | 2203-000233 | C-CER,CHIP;0.1nF,5%,50V,C0G,1005 | 1 | S.A | |
| ...4 | C120 | 2203-000233 | C-CER,CHIP;0.1nF,5%,50V,C0G,1005 | 1 | S.A | |
| ...4 | C120 | 2203-000233 | C-CER,CHIP;0.1nF,5%,50V,C0G,1005 | 1 | S.A | |
| ...4 | C120 | 2203-000233 | C-CER,CHIP;0.1nF,5%,50V,C0G,1005 | 1 | S.A | |
| ...4 | C120 | 2203-000233 | C-CER,CHIP;0.1nF,5%,50V,C0G,1005 | 1 | S.A | |
| ...4 | C120 | 2203-000233 | C-CER,CHIP;0.1nF,5%,50V,C0G,1005 | 1 | S.A | |
| ...4 | C120 | 2203-000233 | C-CER,CHIP;0.1nF,5%,50V,C0G,1005 | 1 | S.A | |
| ...4 | C120 | 2203-000233 | C-CER,CHIP;0.1nF,5%,50V,C0G,1005 | 1 | S.A | |
| ...4 | C120 | 2203-000233 | C-CER,CHIP;0.1nF,5%,50V,C0G,1005 | 1 | S.A | |
| ...4 | C120 | 2203-000233 | C-CER,CHIP;0.1nF,5%,50V,C0G,1005 | 1 | S.A | |
| ...4 | C120 | 2203-000233 | C-CER,CHIP;0.1nF,5%,50V,C0G,1005 | 1 | S.A | |
| ...4 | C120 | 2203-000257 | C-CER,CHIP;10nF,10%,50V,X7R,TP,1608 | 1 | S.A | |
| ...4 | C120 | 2203-000257 | C-CER,CHIP;10nF,10%,50V,X7R,TP,1608 | 1 | S.A | |
| ...4 | C120 | 2203-000332 | C-CER,CHIP;0.012nF,5%,50V,C0G,1608 | 1 | S.A | |
| ...4 | C120 | 2203-000332 | C-CER,CHIP;0.012nF,5%,50V,C0G,1608 | 1 | S.A | |
| ...4 | C120 | 2203-000386 | C-CER,CHIP;0.015nF,5%,50V,C0G,1005 | 1 | S.A | |
| ...4 | C120 | 2203-000386 | C-CER,CHIP;0.015nF,5%,50V,C0G,1005 | 1 | S.A | |
| ...4 | C120 | 2203-000386 | C-CER,CHIP;0.015nF,5%,50V,C0G,1005 | 1 | S.A | |
| ...4 | C120 | 2203-000425 | C-CER,CHIP;0.018nF,5%,50V,C0G,1005 | 1 | S.A | |
| ...4 | C120 | 2203-000425 | C-CER,CHIP;0.018nF,5%,50V,C0G,1005 | 1 | S.A | |
| ...4 | C120 | 2203-000438 | C-CER,CHIP;1nF,10%,50V,X7R,1005 | 1 | S.A | |
| ...4 | C120 | 2203-000438 | C-CER,CHIP;1nF,10%,50V,X7R,1005 | 1 | S.A | |
| ...4 | C120 | 2203-000438 | C-CER,CHIP;1nF,10%,50V,X7R,1005 | 1 | S.A | |
| ...4 | C120 | 2203-000438 | C-CER,CHIP;1nF,10%,50V,X7R,1005 | 1 | S.A | |

5. Exploded View & Part List

| Level | Location No. | Code No. | Description & Specification | Q'ty | SA/SNA | Remark |
|-------|--------------|-------------|--|------|--------|--------|
| ...4 | C120 | 2203-000438 | C-CER,CHIP;1nF,10%,50V,X7R,1005 | 1 | S.A | |
| ...4 | C120 | 2203-000438 | C-CER,CHIP;1nF,10%,50V,X7R,1005 | 1 | S.A | |
| ...4 | C120 | 2203-000438 | C-CER,CHIP;1nF,10%,50V,X7R,1005 | 1 | S.A | |
| ...4 | C120 | 2203-000438 | C-CER,CHIP;1nF,10%,50V,X7R,1005 | 1 | S.A | |
| ...4 | C120 | 2203-000438 | C-CER,CHIP;1nF,10%,50V,X7R,1005 | 1 | S.A | |
| ...4 | C120 | 2203-000438 | C-CER,CHIP;1nF,10%,50V,X7R,1005 | 1 | S.A | |
| ...4 | C120 | 2203-000438 | C-CER,CHIP;1nF,10%,50V,X7R,1005 | 1 | S.A | |
| ...4 | C120 | 2203-000438 | C-CER,CHIP;1nF,10%,50V,X7R,1005 | 1 | S.A | |
| ...4 | C120 | 2203-000438 | C-CER,CHIP;1nF,10%,50V,X7R,1005 | 1 | S.A | |
| ...4 | C120 | 2203-000438 | C-CER,CHIP;1nF,10%,50V,X7R,1005 | 1 | S.A | |
| ...4 | C120 | 2203-000438 | C-CER,CHIP;1nF,10%,50V,X7R,1005 | 1 | S.A | |
| ...4 | C120 | 2203-000438 | C-CER,CHIP;1nF,10%,50V,X7R,1005 | 1 | S.A | |
| ...4 | C120 | 2203-000440 | C-CER,CHIP;1nF,10%,50V,X7R,1608 | 1 | S.A | |
| ...4 | C120 | 2203-000440 | C-CER,CHIP;1nF,10%,50V,X7R,1608 | 1 | S.A | |
| ...4 | C120 | 2203-000489 | C-CER,CHIP;2.2nF,10%,50V,X7R,1005 | 1 | S.A | |
| ...4 | C120 | 2203-000489 | C-CER,CHIP;2.2nF,10%,50V,X7R,1005 | 1 | S.A | |
| ...4 | C120 | 2203-000489 | C-CER,CHIP;2.2nF,10%,50V,X7R,1005 | 1 | S.A | |
| ...4 | C120 | 2203-000489 | C-CER,CHIP;2.2nF,10%,50V,X7R,1005 | 1 | S.A | |
| ...4 | C120 | 2203-000489 | C-CER,CHIP;2.2nF,10%,50V,X7R,1005 | 1 | S.A | |
| ...4 | C120 | 2203-000550 | C-CER,CHIP;0.02nF,5%,50V,C0G,1005 | 1 | S.N.A | |
| ...4 | C120 | 2203-000550 | C-CER,CHIP;0.02nF,5%,50V,C0G,1005 | 1 | S.N.A | |
| ...4 | C120 | 2203-000627 | C-CER,CHIP;0.022nF,5%,50V,C0G,1005 | 1 | S.N.A | |
| ...4 | C120 | 2203-000627 | C-CER,CHIP;0.022nF,5%,50V,C0G,1005 | 1 | S.N.A | |
| ...4 | C120 | 2203-000627 | C-CER,CHIP;0.022nF,5%,50V,C0G,1005 | 1 | S.N.A | |
| ...4 | C120 | 2203-000714 | C-CER,CHIP;3.3nF,10%,50V,X7R,TP,1005,- | 1 | S.A | |
| ...4 | C120 | 2203-000714 | C-CER,CHIP;3.3nF,10%,50V,X7R,TP,1005,- | 1 | S.A | |
| ...4 | C120 | 2203-000783 | C-CER,CHIP;0.33nF,5%,50V,C0G,1608 | 1 | S.A | |
| ...4 | C120 | 2203-000783 | C-CER,CHIP;0.33nF,5%,50V,C0G,1608 | 1 | S.A | |
| ...4 | C120 | 2203-000783 | C-CER,CHIP;0.33nF,5%,50V,C0G,1608 | 1 | S.A | |
| ...4 | C120 | 2203-000783 | C-CER,CHIP;0.33nF,5%,50V,C0G,1608 | 1 | S.A | |
| ...4 | C120 | 2203-000783 | C-CER,CHIP;0.33nF,5%,50V,C0G,1608 | 1 | S.A | |
| ...4 | C120 | 2203-000783 | C-CER,CHIP;0.33nF,5%,50V,C0G,1608 | 1 | S.A | |
| ...4 | C120 | 2203-000783 | C-CER,CHIP;0.33nF,5%,50V,C0G,1608 | 1 | S.A | |
| ...4 | C120 | 2203-000815 | C-CER,CHIP;0.033nF,5%,50V,C0G,1608 | 1 | S.A | |
| ...4 | C120 | 2203-000815 | C-CER,CHIP;0.033nF,5%,50V,C0G,1608 | 1 | S.A | |
| ...4 | C120 | 2203-000925 | C-CER,CHIP;470nF,+80-20%,50V,Y5V,2012 | 1 | S.A | |
| ...4 | C120 | 2203-000925 | C-CER,CHIP;470nF,+80-20%,50V,Y5V,2012 | 1 | S.A | |
| ...4 | C120 | 2203-000975 | C-CER,CHIP;47nF,10%,25V,X7R,TP,1608,- | 1 | S.A | |
| ...4 | C120 | 2203-000975 | C-CER,CHIP;47nF,10%,25V,X7R,TP,1608,- | 1 | S.A | |
| ...4 | C120 | 2203-000975 | C-CER,CHIP;47nF,10%,25V,X7R,TP,1608,- | 1 | S.A | |
| ...4 | C120 | 2203-000975 | C-CER,CHIP;47nF,10%,25V,X7R,TP,1608,- | 1 | S.A | |
| ...4 | C120 | 2203-000975 | C-CER,CHIP;47nF,10%,25V,X7R,TP,1608,- | 1 | S.A | |
| ...4 | C120 | 2203-000975 | C-CER,CHIP;47nF,10%,25V,X7R,TP,1608,- | 1 | S.A | |
| ...4 | C120 | 2203-000975 | C-CER,CHIP;47nF,10%,25V,X7R,TP,1608,- | 1 | S.A | |
| ...4 | C120 | 2203-000975 | C-CER,CHIP;47nF,10%,25V,X7R,TP,1608,- | 1 | S.A | |
| ...4 | C120 | 2203-000998 | C-CER,CHIP;0.047nF,5%,50V,C0G,1608 | 1 | S.A | |
| ...4 | C120 | 2203-000998 | C-CER,CHIP;0.047nF,5%,50V,C0G,1608 | 1 | S.A | |
| ...4 | C120 | 2203-000998 | C-CER,CHIP;0.047nF,5%,50V,C0G,1608 | 1 | S.A | |
| ...4 | C120 | 2203-000998 | C-CER,CHIP;0.047nF,5%,50V,C0G,1608 | 1 | S.A | |
| ...4 | C120 | 2203-000998 | C-CER,CHIP;0.047nF,5%,50V,C0G,1608 | 1 | S.A | |
| ...4 | C120 | 2203-000998 | C-CER,CHIP;0.047nF,5%,50V,C0G,1608 | 1 | S.A | |
| ...4 | C120 | 2203-001153 | C-CER,CHIP;0.068nF,5%,50V,NP0,1005 | 1 | S.A | |

5. Exploded View & Part List

| Level | Location No. | Code No. | Description & Specification | Q'ty | SA/SNA | Remark |
|-------|--------------|-------------|--|------|--------|--------|
| ...4 | T0568 | 3301-001569 | BEAD-SMD;600ohm,2012,1000mA,TP,520ohm/90 | 1 | S.N.A | |
| ...4 | T0568 | 3301-001569 | BEAD-SMD;600ohm,2012,1000mA,TP,520ohm/90 | 1 | S.N.A | |
| ...4 | T0568 | 3301-001569 | BEAD-SMD;600ohm,2012,1000mA,TP,520ohm/90 | 1 | S.N.A | |
| ...4 | T0568 | 3301-001569 | BEAD-SMD;600ohm,2012,1000mA,TP,520ohm/90 | 1 | S.N.A | |
| ...4 | T0568 | 3301-001569 | BEAD-SMD;600ohm,2012,1000mA,TP,520ohm/90 | 1 | S.N.A | |
| ...4 | T0568 | 3301-001569 | BEAD-SMD;600ohm,2012,1000mA,TP,520ohm/90 | 1 | S.N.A | |
| ...4 | T0568 | 3301-001569 | BEAD-SMD;600ohm,2012,1000mA,TP,520ohm/90 | 1 | S.N.A | |
| ...4 | T0568 | 3301-001569 | BEAD-SMD;600ohm,2012,1000mA,TP,520ohm/90 | 1 | S.N.A | |
| ...4 | T0568 | 3301-001569 | BEAD-SMD;600ohm,2012,1000mA,TP,520ohm/90 | 1 | S.N.A | |
| ...4 | T0568 | 3301-001569 | BEAD-SMD;600ohm,2012,1000mA,TP,520ohm/90 | 1 | S.N.A | |
| ...4 | T0568 | 3301-001569 | BEAD-SMD;600ohm,2012,1000mA,TP,520ohm/90 | 1 | S.N.A | |
| ...4 | T0568 | 3301-001569 | BEAD-SMD;600ohm,2012,1000mA,TP,520ohm/90 | 1 | S.N.A | |
| ...4 | T0568 | 3301-001569 | BEAD-SMD;600ohm,2012,1000mA,TP,520ohm/90 | 1 | S.N.A | |
| ...4 | T0568 | 3301-001569 | BEAD-SMD;600ohm,2012,1000mA,TP,520ohm/90 | 1 | S.N.A | |
| ...4 | T0568 | 3301-001569 | BEAD-SMD;600ohm,2012,1000mA,TP,520ohm/90 | 1 | S.N.A | |
| ...4 | T0568 | 3301-001569 | BEAD-SMD;600ohm,2012,1000mA,TP,520ohm/90 | 1 | S.N.A | |
| ...4 | T0568 | 3301-001569 | BEAD-SMD;600ohm,2012,1000mA,TP,520ohm/90 | 1 | S.N.A | |
| ...4 | T0568 | 3301-001569 | BEAD-SMD;600ohm,2012,1000mA,TP,520ohm/90 | 1 | S.N.A | |
| ...4 | T0568 | 3301-001569 | BEAD-SMD;600ohm,2012,1000mA,TP,520ohm/90 | 1 | S.N.A | |
| ...4 | T0568 | 3301-001569 | BEAD-SMD;600ohm,2012,1000mA,TP,520ohm/90 | 1 | S.N.A | |
| ...4 | T0568 | 3301-001569 | BEAD-SMD;600ohm,2012,1000mA,TP,520ohm/90 | 1 | S.N.A | |
| ...4 | T0568 | 3301-001569 | BEAD-SMD;600ohm,2012,1000mA,TP,520ohm/90 | 1 | S.N.A | |
| ...4 | JA3102 | 3701-001367 | CONNECTOR-HDMI;19P,2R,FEMALE,SMD,AU | 1 | S.A | |
| ...4 | JA3103 | 3701-001367 | CONNECTOR-HDMI;19P,2R,FEMALE,SMD,AU | 1 | S.A | |
| ...4 | CN330 | 3711-005925 | HEADER-BOARD TO CABLE;BOX,51P,1R,0.5mm,S | 1 | S.N.A | |
| ...4 | CN330 | 3711-006374 | HEADER-BOARD TO CABLE;BOX,41P,2R,1.25mm, | 1 | S.A | |
| ...4 | T0077 | BN41-00974A | PCB MAIN;Amber,FR-4,4,1,0,192*240,1 | 1 | S.N.A | |
| ...4 | M0018 | BN97-02049A | ASSY MICOM;T-PRLPEUMD,N46A,2007.11.26,11 | 1 | S.N.A | |
|5 | IC115 | 1107-001415 | IC-FLASH MEMORY;29W320D,4Mx8/2Mx16Bit,TS | 1 | S.N.A | |
| ...4 | M0018 | BN97-02049B | ASSY MICOM;T-PRLPEUS,N46A,2007.11.26,090 | 1 | S.N.A | |
|5 | IC520 | 0903-001552 | IC-MICROCONTROLLER;WT61P8-RG480WT,LQFP,4 | 1 | S.A | |
| ...4 | M0018 | BN97-02049C | ASSY MICOM;T-PERLDEUC,N46A,2007.11.26,11 | 1 | S.N.A | |
|5 | IC115 | 1107-001415 | IC-FLASH MEMORY;29W320D,4Mx8/2Mx16Bit,TS | 1 | S.N.A | |
| ...4 | IC104 | 0801-002633 | IC-CMOS LOGIC;7WBD3125,2bit BUS SWITCH,S | 1 | S.A | |
| ...4 | IC104 | 0801-002633 | IC-CMOS LOGIC;7WBD3125,2bit BUS SWITCH,S | 1 | S.A | |
| ...4 | IC104 | 0801-002633 | IC-CMOS LOGIC;7WBD3125,2bit BUS SWITCH,S | 1 | S.A | |
| ...4 | IC104 | 0801-002633 | IC-CMOS LOGIC;7WBD3125,2bit BUS SWITCH,S | 1 | S.A | |
| ...4 | R110 | 2007-002425 | R-CHIP;1ohm,5%,1/10W,TP,1608 | 1 | S.A | |
| ...4 | R110 | 2007-002425 | R-CHIP;1ohm,5%,1/10W,TP,1608 | 1 | S.A | |
| ...4 | R110 | 2007-002425 | R-CHIP;1ohm,5%,1/10W,TP,1608 | 1 | S.A | |
| ...4 | R110 | 2007-002425 | R-CHIP;1ohm,5%,1/10W,TP,1608 | 1 | S.A | |
| ...4 | R110 | 2007-002425 | R-CHIP;1ohm,5%,1/10W,TP,1608 | 1 | S.A | |
| ...4 | R110 | 2007-002425 | R-CHIP;1ohm,5%,1/10W,TP,1608 | 1 | S.A | |
| ...4 | R110 | 2007-002425 | R-CHIP;1ohm,5%,1/10W,TP,1608 | 1 | S.A | |
| ...4 | C1207 | 2402-001238 | C-AL,SMD;1uF,20%,50V,HR,TP,4.3x4.3x5.2mm | 1 | S.A | |
| ...3 | SUB09_MTK | BN73-00024B | SILICON/RUBBER-GAP PAD;POSEIDON,SILICON, | 1 | S.N.A | |
| ...3 | SUB10_FBE | BN73-00176A | SILICON/RUBBER-GAPPAD;EDISON 24,SILICON+ | 1 | S.A | |
| 0.1 | | BN91-02027B | ASSY SHIELD-SQH;LE52A557P7FX/XC | 1 | S.N.A | |
| ..2 | M0081 | 6003-000115 | SCREW-TAPTITE;BH,+,B,M3,L6,ZPC(BLK),SWRC | 6 | S.A | |
| ..2 | M0081 | 6003-000115 | SCREW-TAPTITE;BH,+,B,M3,L6,ZPC(BLK),SWRC | 6 | S.A | |
| ..2 | M0081 | 6003-000115 | SCREW-TAPTITE;BH,+,B,M3,L6,ZPC(BLK),SWRC | 1 | S.A | |

5. Exploded View & Part List

| Level | Location No. | Code No. | Description & Specification | Q'ty | SA/SNA | Remark |
|-------|--------------|-------------|--|-------|--------|--------|
| ..2 | M0081 | 6003-000337 | SCREW-TAPTITE;BH,+,S,M4,L10,ZPC(BLK),SWR | 4 | S.A | |
| ..2 | M0081 | 6003-000337 | SCREW-TAPTITE;BH,+,S,M4,L10,ZPC(BLK),SWR | 1 | S.A | |
| ..2 | M0081 | 6003-000337 | SCREW-TAPTITE;BH,+,S,M4,L10,ZPC(BLK),SWR | 1 | S.A | |
| ..2 | M0081 | 6003-000337 | SCREW-TAPTITE;BH,+,S,M4,L10,ZPC(BLK),SWR | 1 | S.A | |
| ..2 | M0081 | 6003-000337 | SCREW-TAPTITE;BH,+,S,M4,L10,ZPC(BLK),SWR | 2 | S.A | |
| ..2 | M0081 | 6003-000337 | SCREW-TAPTITE;BH,+,S,M4,L10,ZPC(BLK),SWR | 5 | S.A | |
| ..2 | M0081 | 6003-000337 | SCREW-TAPTITE;BH,+,S,M4,L10,ZPC(BLK),SWR | 5 | S.A | |
| ..2 | M0081 | 6003-001188 | SCREW-TAPTITE;BH,+,-,B,M4,L10,ZPC(WHT),S | 6 | S.N.A | |
| ..2 | M0081 | 6003-001188 | SCREW-TAPTITE;BH,+,-,B,M4,L10,ZPC(WHT),S | 2 | S.N.A | |
| ..2 | M0081 | 6003-001188 | SCREW-TAPTITE;BH,+,-,B,M4,L10,ZPC(WHT),S | 1 | S.N.A | |
| ..2 | M0081 | 6003-001188 | SCREW-TAPTITE;BH,+,-,B,M4,L10,ZPC(WHT),S | 1 | S.N.A | |
| ..2 | M0081 | 6003-001188 | SCREW-TAPTITE;BH,+,-,B,M4,L10,ZPC(WHT),S | 4 | S.N.A | |
| ..2 | M0081 | 6003-001439 | SCREW-TAPTITE;BH,+,-,S,M4,L8,ZPC(WHT),SW | 1 | S.N.A | |
| ..2 | M0081 | 6006-001096 | SCREW-TAPTITE;BH,+,WP,B,M4.0,L12,ZPC(BLK | 2 | S.N.A | |
| ..2 | M0081 | 6006-001096 | SCREW-TAPTITE;BH,+,WP,B,M4.0,L12,ZPC(BLK | 2 | S.N.A | |
| ..2 | M0081 | 6006-001096 | SCREW-TAPTITE;BH,+,WP,B,M4.0,L12,ZPC(BLK | 2 | S.N.A | |
| ..2 | M2893 | BH39-00362D | LEAD CONNECTOR;BEETHOVEN,UL1007#26,5P,50 | 1 | S.A | |
| ..2 | M2893 | BN39-00802Q | LEAD CONNECTOR;PS58P96FDX,UL1617#22,24P/ | 1 | S.A | |
| ..2 | M2893 | BN39-00851A | LEAD CONNECTOR;LE40M73BD,UL3443 #28,7P,3 | 1 | S.A | |
| ..2 | M2893 | BN39-01019A | LEAD CONNECTOR;LN52A550P,UL1007#26,2pin, | 1 | S.A | |
| ..2 | M2893 | BN39-01021A | LEAD CONNECTOR;LN46A550P,UL1007#26,2pin, | 1 | S.A | |
| ..2 | M0174 | BN44-00201A | IP BOARD;SIP528A,PEARL,15mA,150mA,150Hz, | 1 | S.A | |
| ..2 | M0114 | BN61-02500A | HOLDER-WIRE;NYLON6.6,NATURAL | 2 | S.N.A | |
| ..2 | M0254 | BN61-02875E | HOLDER-SIDE AV;40F8,EO,HIPS V0,-,-,BK5 | 1 | S.N.A | |
| ...3 | | BN81-00199H | RESIN;HIPS HB,BK500,HF-1690H,K2901 | 0.017 | S.N.A | |
| ..2 | M0146 | BN61-03056A | BRACKET-PANEL TOP;TULIP52,SECC,T1.2 | 2 | S.N.A | |
| ..2 | | BN61-03788B | HOLDER-WALL LEFT;L650,46,HIPS,HB,BK500,L | 1 | S.N.A | |
| ...3 | | BN61-02932A | BRACKET-STOPPER NUT;SUM24L | 2 | S.N.A | |
| ...3 | | BN81-00199H | RESIN;HIPS HB,BK500,HF-1690H,K2901 | 0.283 | S.N.A | |
| ..2 | | BN61-03828A | BRACKET-GUIDE MAIN;AMBER 52,SECC,T1.2,R | 1 | S.N.A | |
| ..2 | | BN61-03864B | HOLDER-WALL RIGHT;L650,46,HIPS,HB,BK500, | 1 | S.N.A | |
| ...3 | | BN61-02932A | BRACKET-STOPPER NUT;SUM24L | 2 | S.N.A | |
| ...3 | | BN81-00199H | RESIN;HIPS HB,BK500,HF-1690H,K2901 | 0.282 | S.N.A | |
| ..2 | M0107 | BN63-03039A | SHIELD-COVER;MURANO40,PCM,T0.5,IDTV | 1 | S.N.A | |
| ..2 | M0125 | BN96-05490A | ASSY INLET P;LE52M87BDX,XEC,300,300,150m | 1 | S.A | |
| ..2 | T0175 | BN96-06809C | ASSY SPEAKER P;8ohm,L530 52",Down Firing | 1 | S.A | |
| ..2 | M0214 | BN96-07161L | ASSY CABLE P-FLAT LVDS;LE52A556P1FXXC,FF | 1 | S.A | |
| ..2 | T0447 | BN96-07390A | ASSY BRACKET P-PANEL;52L550,P2,P3,P4,EO, | 1 | S.N.A | |
| ...3 | M0081 | 6003-001188 | SCREW-TAPTITE;BH,+,-,B,M4,L10,ZPC(WHT),S | 1 | S.N.A | |
| ...3 | M0081 | 6003-001188 | SCREW-TAPTITE;BH,+,-,B,M4,L10,ZPC(WHT),S | 2 | S.N.A | |
| ...3 | M0081 | 6003-001188 | SCREW-TAPTITE;BH,+,-,B,M4,L10,ZPC(WHT),S | 1 | S.N.A | |
| ...3 | M0081 | 6003-001188 | SCREW-TAPTITE;BH,+,-,B,M4,L10,ZPC(WHT),S | 1 | S.N.A | |
| ...3 | | BN61-03011A | BRACKET-GUIDE POWER;TULIP46,SECC,T1.2,RI | 1 | S.N.A | |
| ...3 | | BN61-03012A | BRACKET-GUIDE POWER;TULIP46,SECC,T1.2,LE | 1 | S.N.A | |
| ...3 | M0115 | BN61-03790A | BRACKET-STAND LINK;AMBER 46,SECC,T1.6,-, | 1 | S.N.A | |
| ...3 | | BN61-03827A | BRACKET-GUIDE MAIN;AMBER 52,SECC,T1.2,L | 1 | S.N.A | |
| ...3 | M0131 | BN63-02870A | GASKET;LNS4096D,Conductive Fabric,26mm,1 | 1 | S.N.A | |
| ...3 | M0131 | BN63-03520A | GASKET;Tulip,Conductive Fabric,10,18,300 | 1 | S.N.A | |
| ...3 | | BN61-03057A | BRACKET-PANEL BOTTOM;TULIP52,SECC,T1.2 | 1 | S.N.A | |
| 0.1 | | BN91-02032A | ASSY LCD-AUO;LE52A556P1FX/XC,LTF520HB01, | 1 | S.N.A | |

5. Exploded View & Part List

| Level | Location No. | Code No. | Description & Specification | Q'ty | SA/SNA | Remark |
|-------|--------------|-------------|--|-------|--------|--------|
| ..2 | M0215 | BN07-00522A | LCD-PANEL;LTF520HB01,8bit,52inch,1.67M,1 | 1 | S.A | |
| 0.1 | M0003 | BN92-03227F | ASSY BOX;52L530,EO(iDTV),P3 | 1 | S.N.A | |
| ..2 | M0521 | BN69-02444A | BOX-SET,IN;L530-52,CB,C-01,DY-01,AB,W176 | 1 | S.N.A | |
| ..2 | | BN69-02445B | BOX-SET,OUT;L550P3-52,CB,C-03,DY-01,AB,W | 1 | S.N.A | |
| 0.1 | M0113 | BN92-03232B | ASSY P/MATERIAL;52L530,W/W | 1 | S.N.A | |
| ..2 | T0524 | 6902-000426 | BAG PE;HDPE/NITRON,T0.015/T0.5,W1600,L14 | 1 | S.N.A | |
| ..2 | T0003 | 6902-000604 | BAG WRAPPING;LDPE,T0.02,W500,L10000,TRP, | 6 | S.N.A | |
| ..2 | | 6922-000003 | BAND PP;PP,T0.8,W18,L1650M,TRP,DA69-9014 | 5.74 | S.N.A | |
| ..2 | T0214 | AA61-00049B | HOLDER-BOX;DP,AA61-20285A,PP,NTR,V0 | 2 | S.N.A | |
| ..2 | T0214 | BN74-00008A | TAPE-OPP MASKING;OPP-2,T0.05,W100,L800M, | 1.53 | S.N.A | |
| 0.1 | M0019 | BN92-03261J | ASSY LABEL;LE32A557P2FX* | 1 | S.N.A | |
| 0.1 | M0045 | BN92-03267C | ASSY ACCESSORY;LE46A556P1FX/XC,LE52A558P | 1 | S.N.A | |
| ..2 | M0045 | BN96-07178A | ASSY ACCESSORY-MANUAL;LE46A556P1FXXC,N46 | 1 | S.A | |
| ...3 | T0524 | 6902-000110 | BAG PE;LDPE,T0.05,W250,L400,TRP,28,2 | 1 | S.N.A | |
| ...3 | T0210 | AA68-03242K | MANUAL FLYER-01,SAFETY GUIDE;comm,Samsun | 1 | S.N.A | |
| ...3 | | AA68-03575A | MANUAL FLYER-02,REGISTRATION C;XEU,ENG,U | 1 | S.N.A | |
| ...3 | | AA68-03575B | MANUAL FLYER-02,REGISTRATION C;XEG,GERMA | 1 | S.N.A | |
| ...3 | | AA68-03575C | MANUAL FLYER-02,REGISTRATION C;XEF,FRENC | 1 | S.N.A | |
| ...3 | | AA68-03575D | MANUAL FLYER-03,REGISTRATION C;XEC,SPANI | 1 | S.N.A | |
| ...3 | | AA68-03575E | MANUAL FLYER-04,REGISTRATION C;XET,ITALY | 1 | S.N.A | |
| ...3 | | AA68-03575F | MANUAL FLYER-02,REGISTRATION C;XEN,DUTCH | 1 | S.N.A | |
| ...3 | | AA68-03575G | MANUAL FLYER-02,REGISTRATION C;XEP,PORTU | 1 | S.N.A | |
| ...3 | | BN68-00514E | MANUAL FLYER-00,WARRANTY CARD;comm,Samsu | 1 | S.N.A | |
| ...3 | T0511 | BN68-01409A | MANUAL USERS;COMM,SAMSUNG,8Language,W.Eu | 1 | S.N.A | |
| ..2 | M0045 | BN96-07178B | ASSY ACCESSORY-CABEL;LE46A558P3FXXC,LE52 | 1 | S.A | |
| ...3 | T0268 | 3903-000145 | CBF-POWER CORD;DT,EU,FP3/YES,U(IEC C13-R | 1 | S.A | |
| ...3 | T0524 | 6902-000110 | BAG PE;LDPE,T0.05,W250,L400,TRP,28,2 | 1 | S.N.A | |
| ...3 | T0074 | BN59-00683A | REMOCON;TM-96B,49,EUROPE_DTV-550 | 1 | S.A | |
| ...3 | | BN63-01798A | CLOTH-CLEAN;RE40**,CLOTH,180,200,RHCM | 1 | S.N.A | |
| ...3 | T0531 | BN63-04374A | COVER-BOTTOM;46,52L550,P2,P3,P4,HIPS,-,- | 1 | S.N.A | |
| ...4 | | BN81-00199H | RESIN;HIPS HB,BK500,HF-1690H,K2901 | 0.062 | S.N.A | |

Memo