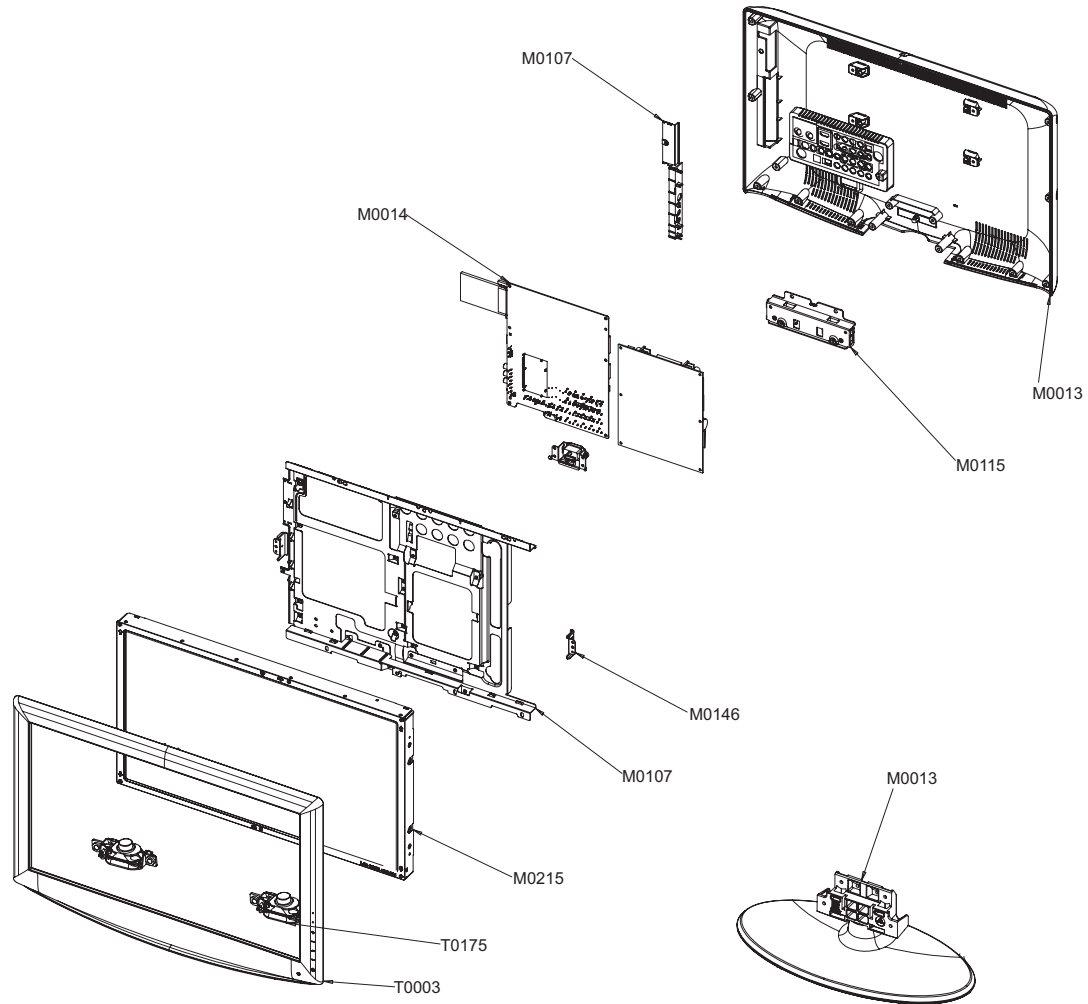


5 Exploded View and Parts List

- You can search for updated part codes through ITSELF web site.
URL : <http://itself.sec.samsung.co.kr/>

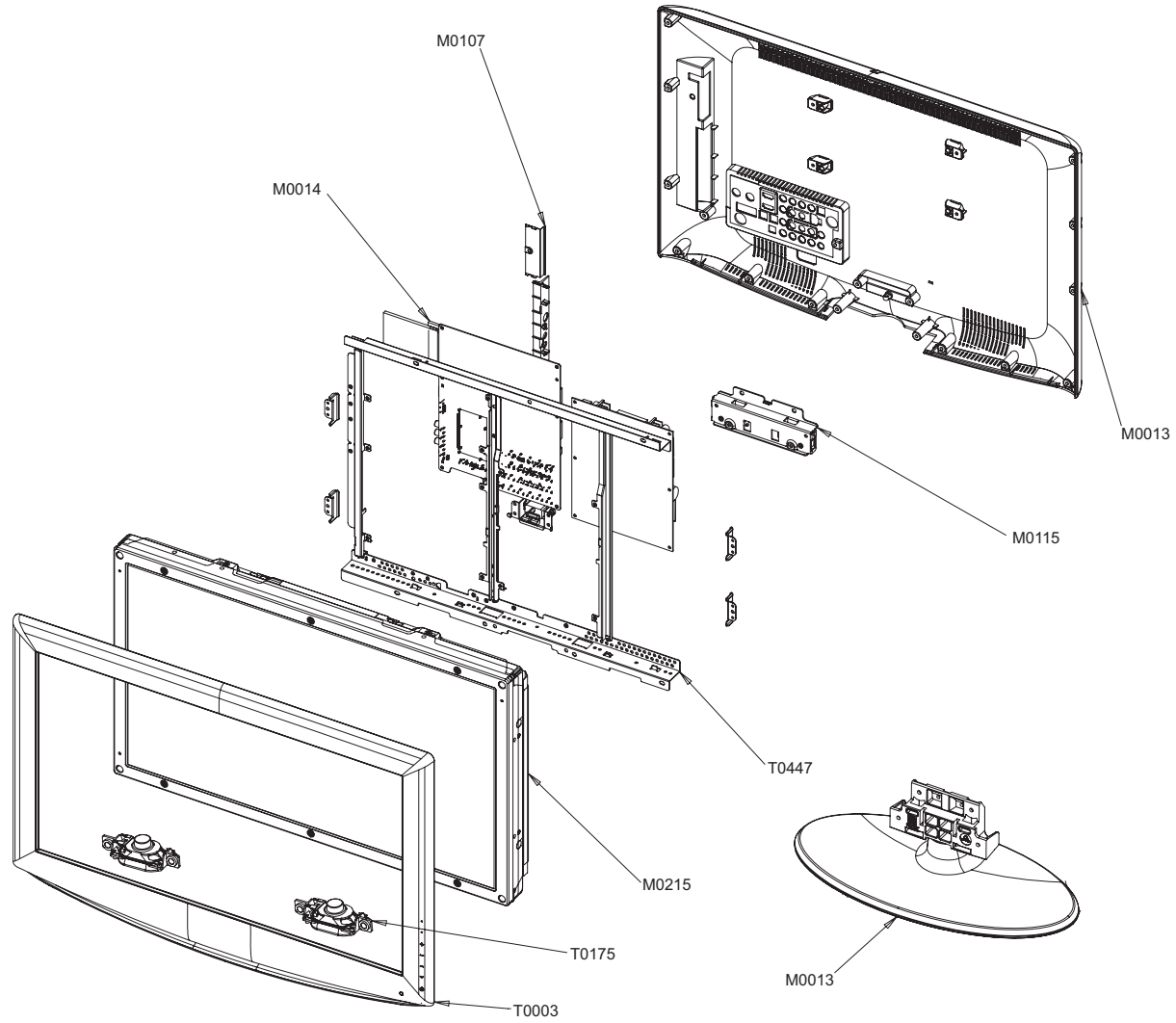
5-1 LE23R86WD Exploded View



5-2 LE23R86WD Parts list

Location	Code.No	Item & Specification	Q'ty	SA/SNA	Remark
T0003	BN96-04660F	ASSY COVER P-FRONT;23R86,EO(IDTV),ABS+PM	1	S.A	
T0175	BN96-04767A	ASSY SPEAKER P;16ohm,4pin,5W,Bordeaux PI	1	S.A	
M0215	BN07-00365A	LCD-PANEL;T230XW01,8bit,23inch,16.7M,16:	1	S.A	
M0107	BN63-03039B	SHIELD-COVER;MURANO40,PCM,T0.5,WHITE,IDT	1	S.N.A	
M0107	BN61-03037A	BRACKET-PCB;23 BORDEAUX PLUS,SECC,T1.0	1	S.N.A	
M0146	BN61-03060A	BRACKET-PANEL SIDE;BORDEAUX PLUS 23,SECC	2	S.N.A	
M0115	BN61-02965A	BRACKET-STAND LINK;32 BORDEAUX PLUS,SECC	1	S.N.A	
M0014	BN94-01121E	ASSY PCB MAIN;LE23R86BDX*	1	S.A	
M0013	BN96-04663B	ASSY STAND P-BASE;23,26R81,WHITE,NORMAL,	1	S.A	
M0013	BN96-04673C	ASSY COVER P-REAR;23R86,EO(IDTV),ABS+PMM	1	S.A	

5-3 LE26R88BD Exploded View

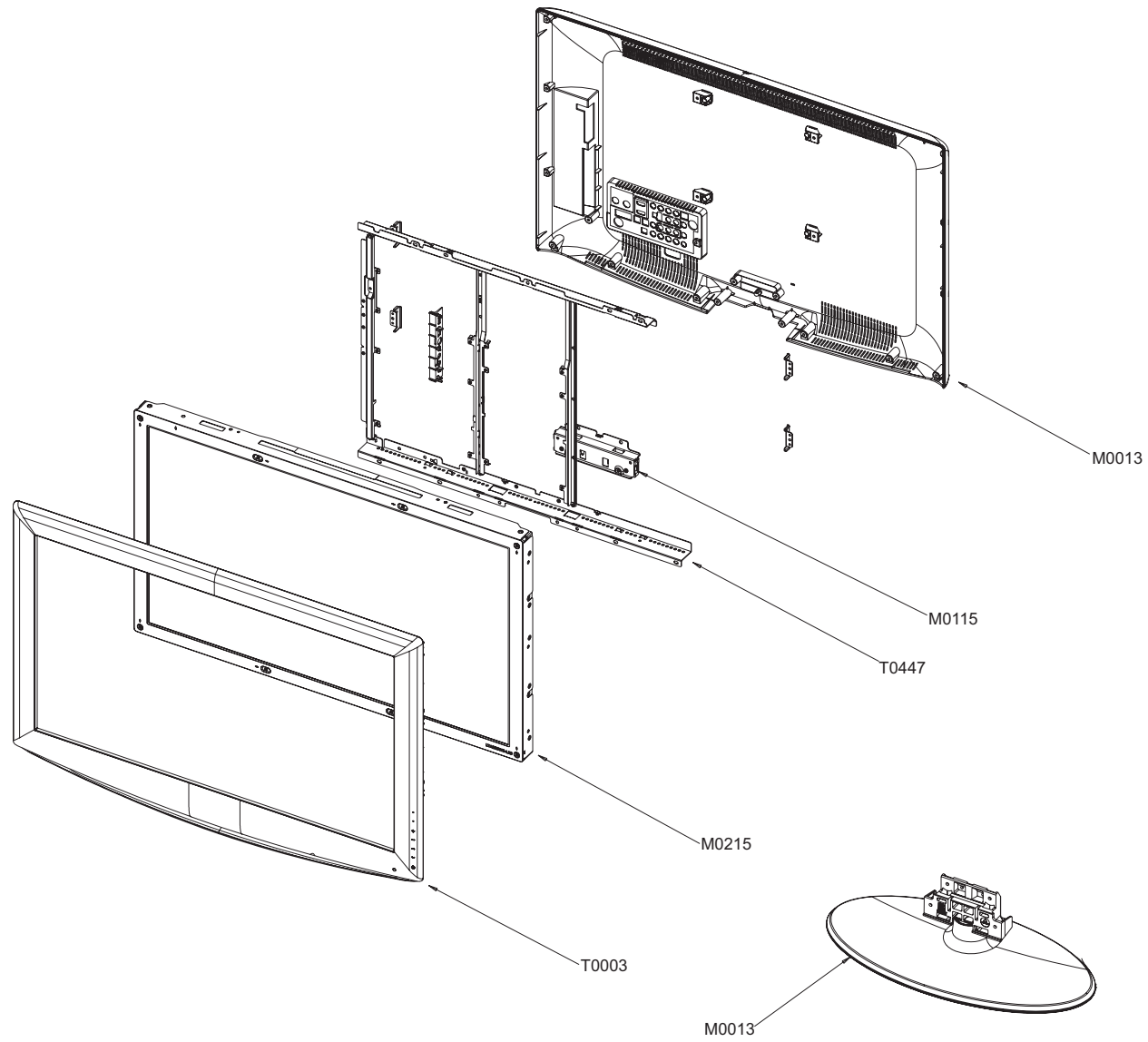


5 Exploded View & Parts List

5-4 LE26R88BD Parts list

Location	Code.No	Item & Specification	Q'ty	SA/SNA	Remark
T0003	BN96-04659E	ASSY COVER P-FRONT;26R88,EO(IDTV),-,ABS+	1	S.A	
T0175	BN96-04767A	ASSY SPEAKER P;16ohm,4pin,5W,Bordeaux PI	1	S.A	
M0215	BN07-00367A	LCD-PANEL;LTA260W2-L13,-,8bit,26inch,16.	1	S.A	
T0447	BN96-04682A	ASSY BRACKET P-PANEL;26R81,AMLCD,-,-,-,-	1	S.N.A	
M0115	BN61-02965A	BRACKET-STAND LINK;32 BORDEAUX PLUS,SECC	1	S.N.A	
M0014	BN94-01121B	ASSY PCB MAIN;LE26R86BDX/*	1	S.A	
M0107	BN63-03039A	SHIELD-COVER;MURANO40,PCM,T0.5,IDTV	1	S.N.A	
M0013	BN96-04663A	ASSY STAND P-BASE;23,26R81,NORMAL,-,ABS+	1	S.A	
M0013	BN96-04672A	ASSY COVER P-REAR;26R81,EO(IDTV),-,ABS+P	1	S.A	

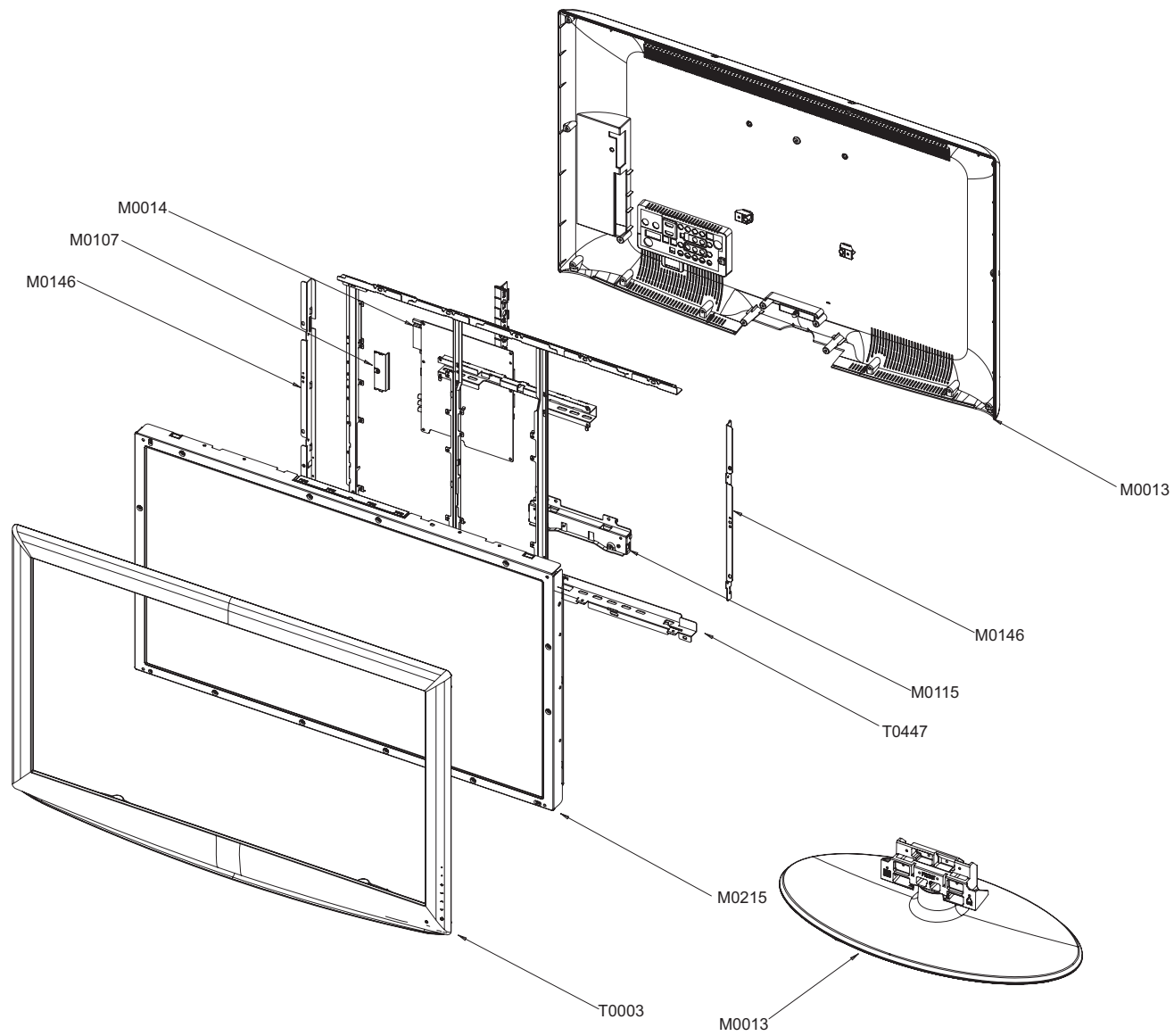
5-5 LE32R86BD Exploded View



5-6 LE32R86BD Parts list

Location	Code.No	Item & Specification	Q'ty	SA/SNA	Remark
T0003	BN96-04658D	ASSY COVER P-FRONT;32R81,EO,-,ABS+PMMA,H	1	S.A	
T0175	BN96-04768B	ASSY SPEAKER P;8ohm,4pin,10W,150/650,Bor	1	S.A	
M0215	BN07-00348A	LCD-PANEL;V315B1-L01,8bit,31.5inch,16.7M	1	S.A	
T0447	BN96-04681G	ASSY BRACKET P-PANEL;32R81,CMO,PAL,SPACE	1	S.N.A	
M0115	BN61-02965A	BRACKET-STAND LINK;32 BORDEAUX PLUS,SECC	1	S.N.A	
M0014	BN94-01325A	ASSY PCB MAIN-CMO;LE32R81BX/*	1	S.N.A	
M0013	BN96-04662A	ASSY STAND P-BASE;32R81,M81,SWIVEL,-,ABS	1	S.A	
M0013	BN96-04671B	ASSY COVER P-REAR;32R81,EO,ABS+PMMA,HB,B	1	S.A	

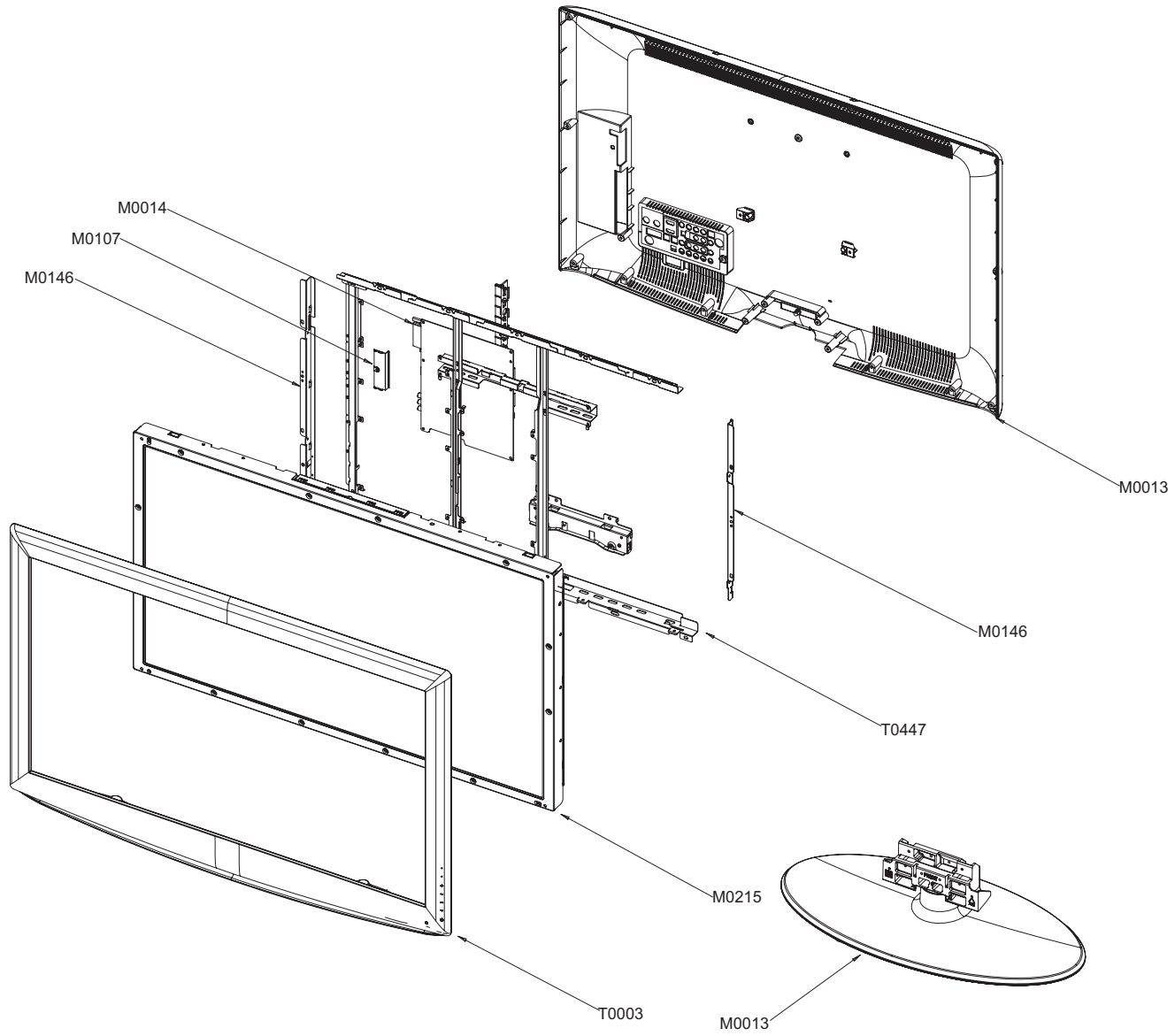
5-7 LE37R86BD Exploded View



5-8 LE37R86BD Parts list

Location	Code.No	Item & Specification	Q'ty	SA/SNA	Remark
T0003	BN96-04657A	ASSY COVER P-FRONT;37R81,EO(IDTV),-,ABS+	1	S.A	
T0175	BN96-04768A	ASSY SPEAKER P;8ohm,4pin,10W,Bordeaux PI	1	S.A	
M0215	BN07-00393A	LCD-PANEL;T370XW02,8bit,37inch,16.7M,16:	1	S.A	
T0447	BN96-04680A	ASSY BRACKET P-PANEL;BORDEAUX PLUS37	1	S.N.A	
M0115	BN61-02882A	BRACKET-STAND LINK;TULIP,40,SECC,T1.6,-,	1	S.N.A	
M0014	BN94-01121C	ASSY PCB MAIN;LE37R86BDX*	1	S.A	
M0146	BN61-02241A	BRACKET-PANEL SIDE;Bordeaux 37,SECC,T1.2	1	S.N.A	
M0146	BN61-02242A	BRACKET-PANEL SIDE;Bordeaux 37,SECC,T1.2	1	S.N.A	
M0013	BN96-04661A	ASSY STAND P-BASE;37,40R81,SWIVEL,-,ABS+	1	S.A	
M0013	BN96-04670A	ASSY COVER P-REAR;37R81,EO(IDTV),-,ABS+P	1	S.A	

5-9 LE40R88BD Exploded View



5 Exploded View & Parts List

5-10 LE40R88BD Parts list

Location	Code.No	Item & Specification	Q'ty	SA/SNA	Remark
T0003	BN96-04656M	ASSY COVER P-FRONT;40R88,EO(IDTV),ABS+PM	1	S.A	
T0175	BN96-04768A	ASSY SPEAKER P;8ohm,4pin,10W,Bordeaux PI	1	S.A	
M0215	BN07-00387A	LCD-PANEL; LTA400WT-L06,8bit,40inch,16.7	1	S.A	
T0447	BN96-04679D	ASSY BRACKET P-PANEL;40R81,IP BOARD,SPAC	1	S.N.A	
M0107	BN63-03039A	SHIELD-COVER;MURANO40,PCM,T0.5,IDTV	1	S.N.A	
M0146	BN61-02256B	BRACKET-PANEL SIDE;Bordeaux 40,SECC,T1.2	1	S.N.A	
M0146	BN61-02257B	BRACKET-PANEL SIDE;Bordeaux 40,SECC,T1.2	1	S.N.A	
M0013	BN96-04661A	ASSY STAND P-BASE;37,40R81,SWIVEL,-,ABS+	1	S.A	
M0013	BN96-04669A	ASSY COVER P-REAR;40R81,EO(IDTV),-,ABS+P	1	S.A	