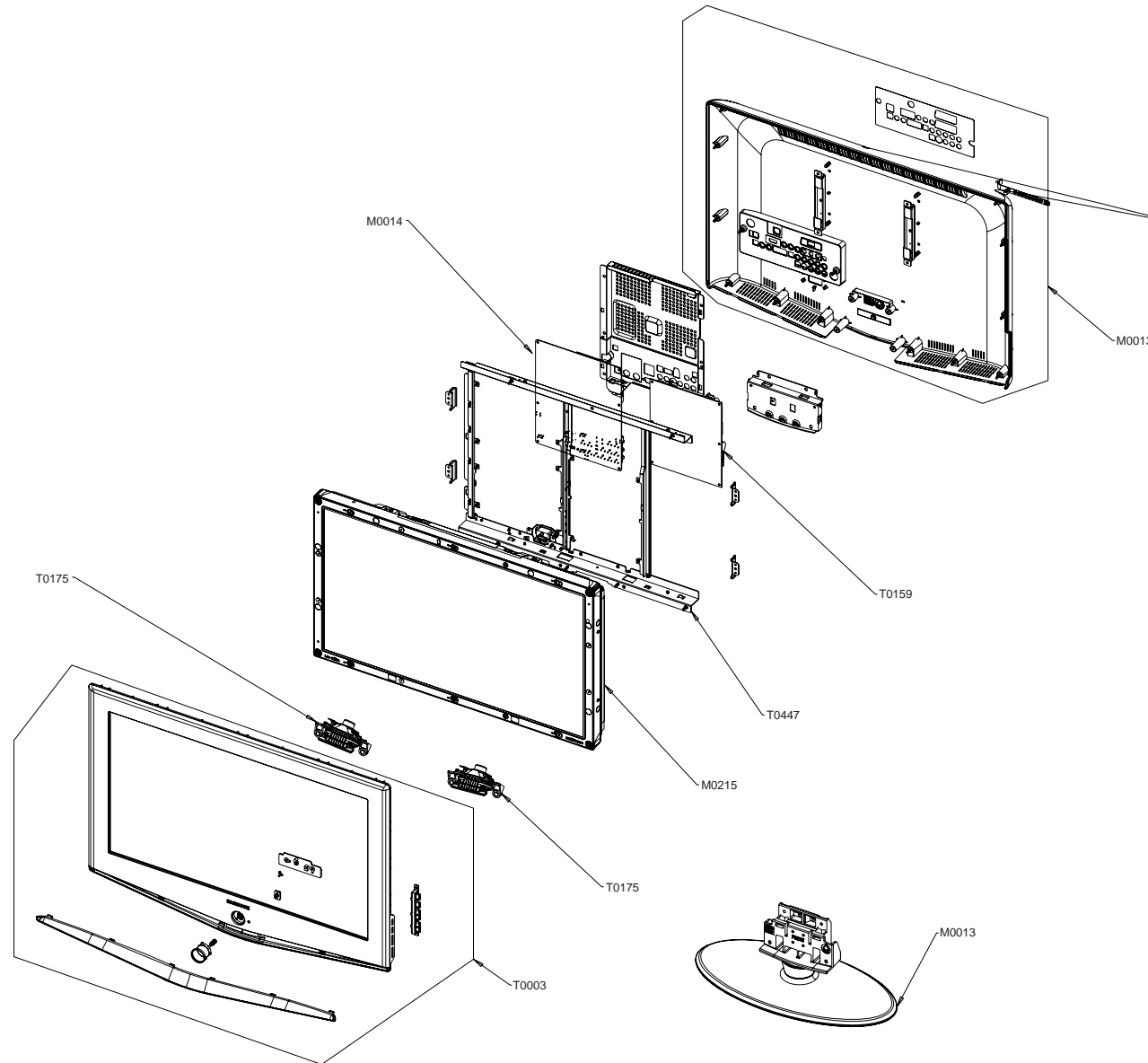


5 Exploded View and Parts List

- You can search for updated part codes through ITSELF web site.
URL : <http://itself.sec.samsung.co.kr/>

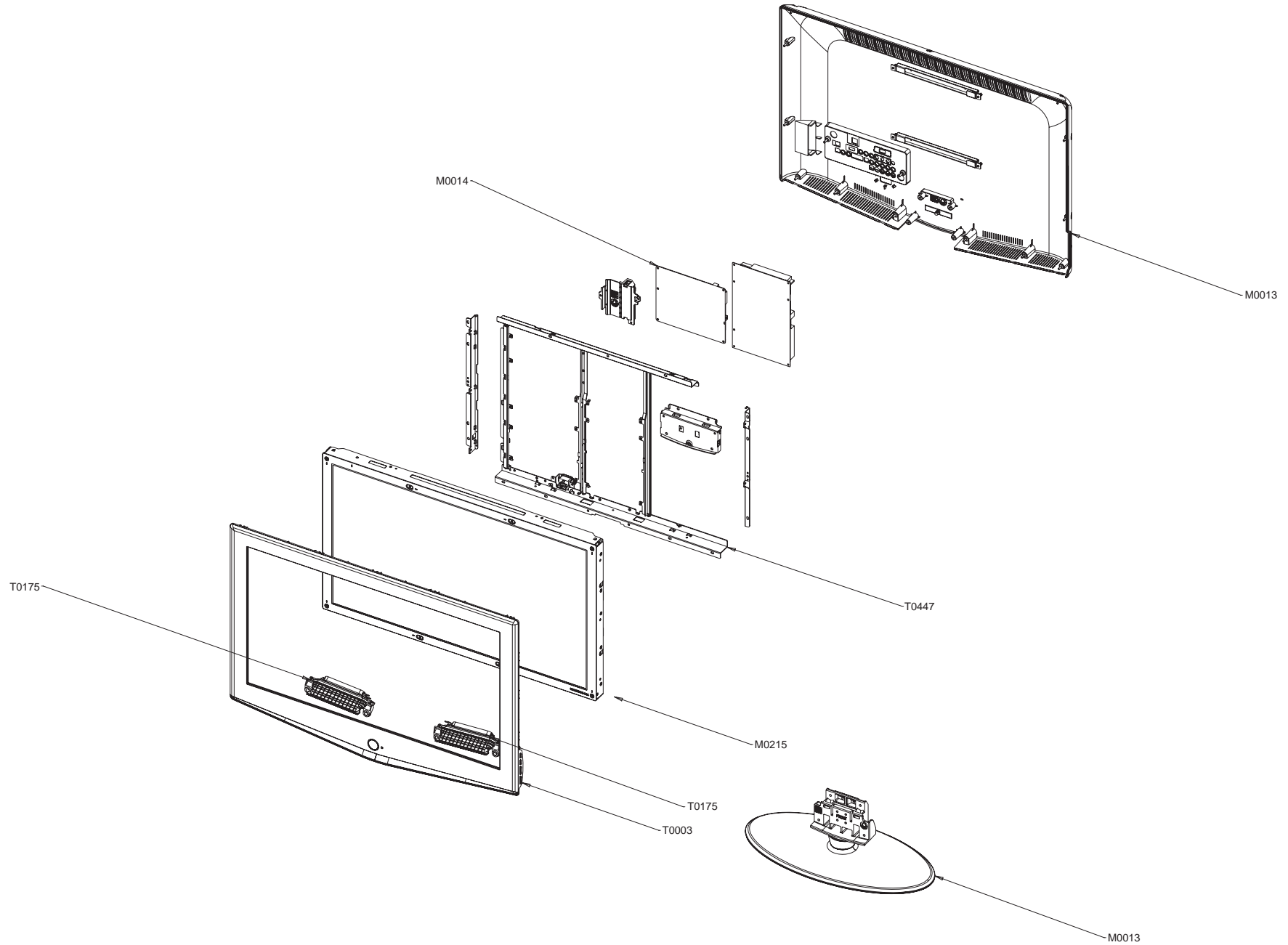
5-1 LE26R73BD Exploded View



5-2 LE26R73BD Parts list

Location	Code.No	Item & Specification	Q'ty	SA/SNA	Remark
T0003	BN96-03012C	ASSY COVER P-FRONT;26R73,EO,ABS+PMMA,HB,	1	SA	
T0175	BN96-03053A	ASSY SPEAKER P;16ohm,Bordeuax 26,Left,5W	1	SA	
T0175	BN96-03054A	ASSY SPEAKER P;16ohm,Bordeuax 26,Right,5	1	SA	
M0215	BN07-00254A	LCD-PANEL;T260XW02,8bit,626.0*373.0*50.0	1	SA	
T0447	BN96-03439B	ASSY BRACKET P-PANEL;26,SECC,BUILT-IN,AU	1	SNA	
M0014	BN94-01001A	ASSY PCB MAIN-AMZ;LE26R74BDX/*	1	SA	
T0159	BN96-03058A	ASSY PCB P-SMPS;Bordeaux 26 PFC,LE26R71B	1	SA	
M0013	BN96-03245A	ASSY COVER P-REAR;26R73,EO,ABS+PMMA,HB,B	1	SA	
M0013	BN96-03017A	ASSY STAND P-BASE;26R71,ABS+PMMA,HB,BK23	1	SA	

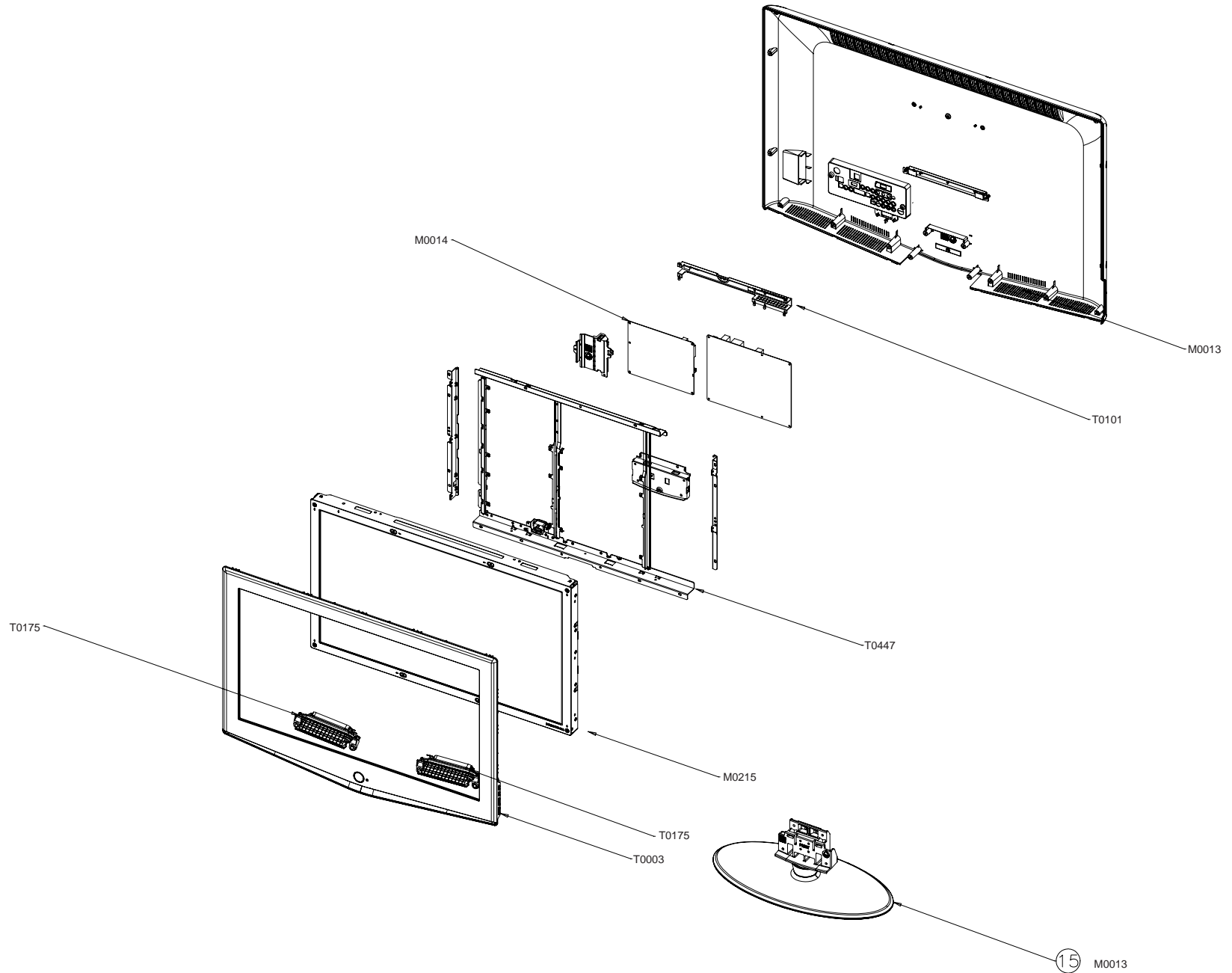
5-3 LE32R73BD Exploded View



5-4 LE32R73BD Parts list

Location	Code.No	Item & Specification	Q'ty	SA/SNA	Remark
T0003	BN96-02996E	ASSY COVER P-FRONT;32R73,EO,ABS+PMMA,HB,	1	SA	
T0175	BN96-03002A	ASSY SPEAKER P;8ohm,Bordeuax 32"/37"/40"	1	SA	
T0175	BN96-03003A	ASSY SPEAKER P;8ohm,Bordeuax 32"/37"/40"	1	SA	
M0215	BN07-00247A	LCD-PANEL;LTA320WT-L14,-,8BIT,760*450*50	1	SA	
T0447	BN96-03440A	ASSY BRACKET P-PANEL;32,SECC,BUILT-IN	1	SNA	
M0014	BN94-01001B	ASSY PCB MAIN-AMZ;LE32R74BDX*	1	SA	
M0013	BN96-03244A	ASSY COVER P-REAR;32R73,EO,ABS+PMMA,HB,B	1	SA	
M0013	BN96-02998A	ASSY STAND P-BASE;32R71,ABS+PMMA,HB,BK23	1	SA	

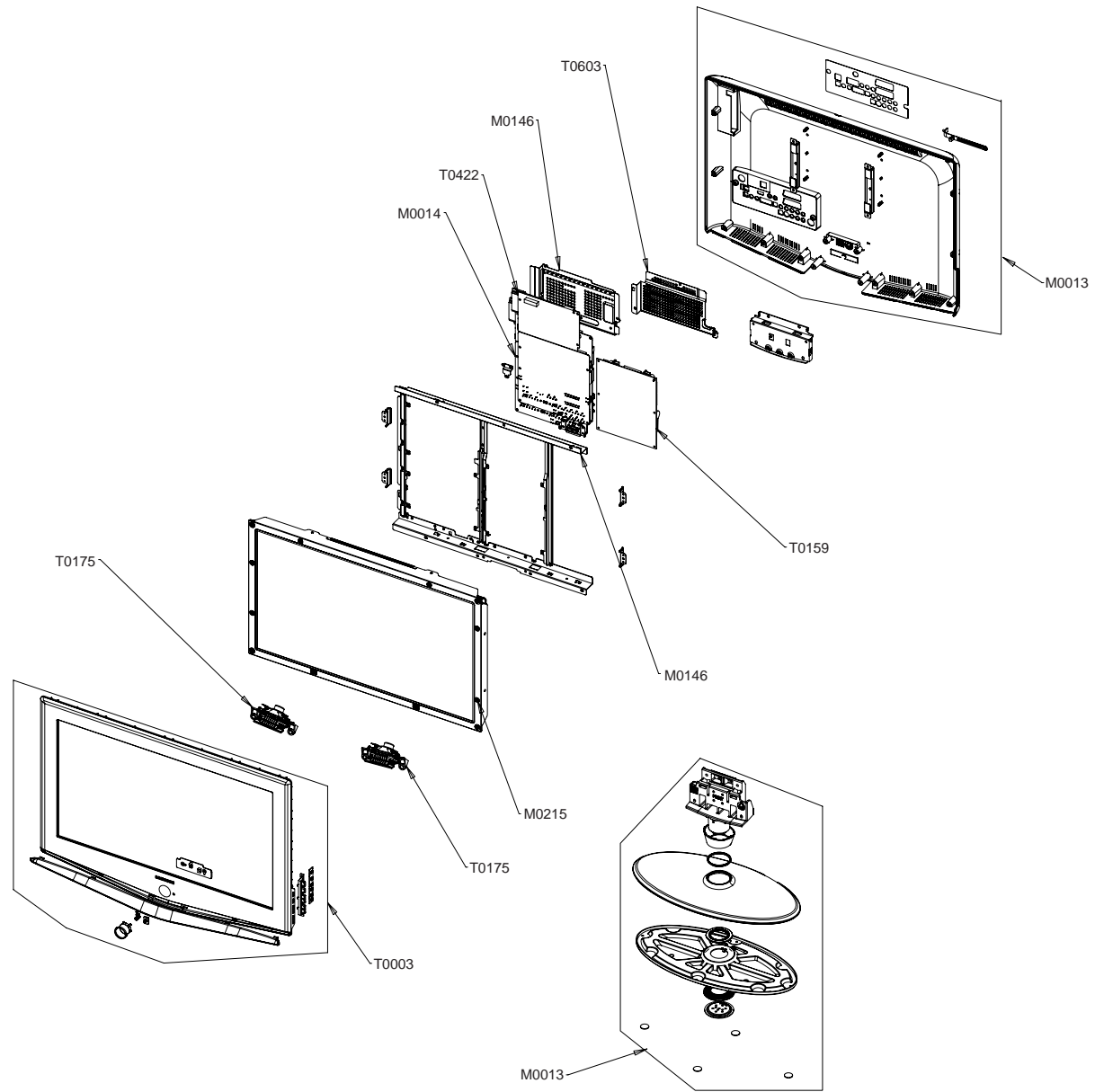
5-5 LE40R73BD Exploded View



5-6 LE40R73BD Parts list

Location	Code.No	Item & Specification	Q'ty	SA/SNA	Remark
T0003	BN96-03011E	ASSY COVER P-FRONT;40R73,EO,ABS+PMMA,HB,	1	SA	
T0175	BN96-03002A	ASSY SPEAKER P;8ohm,Bordeuax 32"/37"/40"	1	SA	
T0175	BN96-03003A	ASSY SPEAKER P;8ohm,Bordeuax 32"/37"/40"	1	SA	
M0215	BN07-00264A	LCD-PANEL;LTA400WT-L01,8bit,952*551*51.0	1	SA	
T0447	BN96-03442B	ASSY BRACKET P-PANEL;CAMBRIDGE40,SECC,AM	1	SNA	
M0014	BN94-01001B	ASSY PCB MAIN-AMZ;LE32R74BDX*	1	SA	
T0101	BN61-02427A	BRACKET-WALL;BORDEAUX 40,SECC,T1.2	1	SNA	
M0013	BN96-03243A	ASSY COVER P-REAR;40R73,EO,ABS+PMMA,HB,B	1	SA	
M0013	BN96-03016A	ASSY STAND P-BASE;40R71,ABS+PMMA,HB,BK23	1	SA	

5-7 LE26R74BD Exploded View

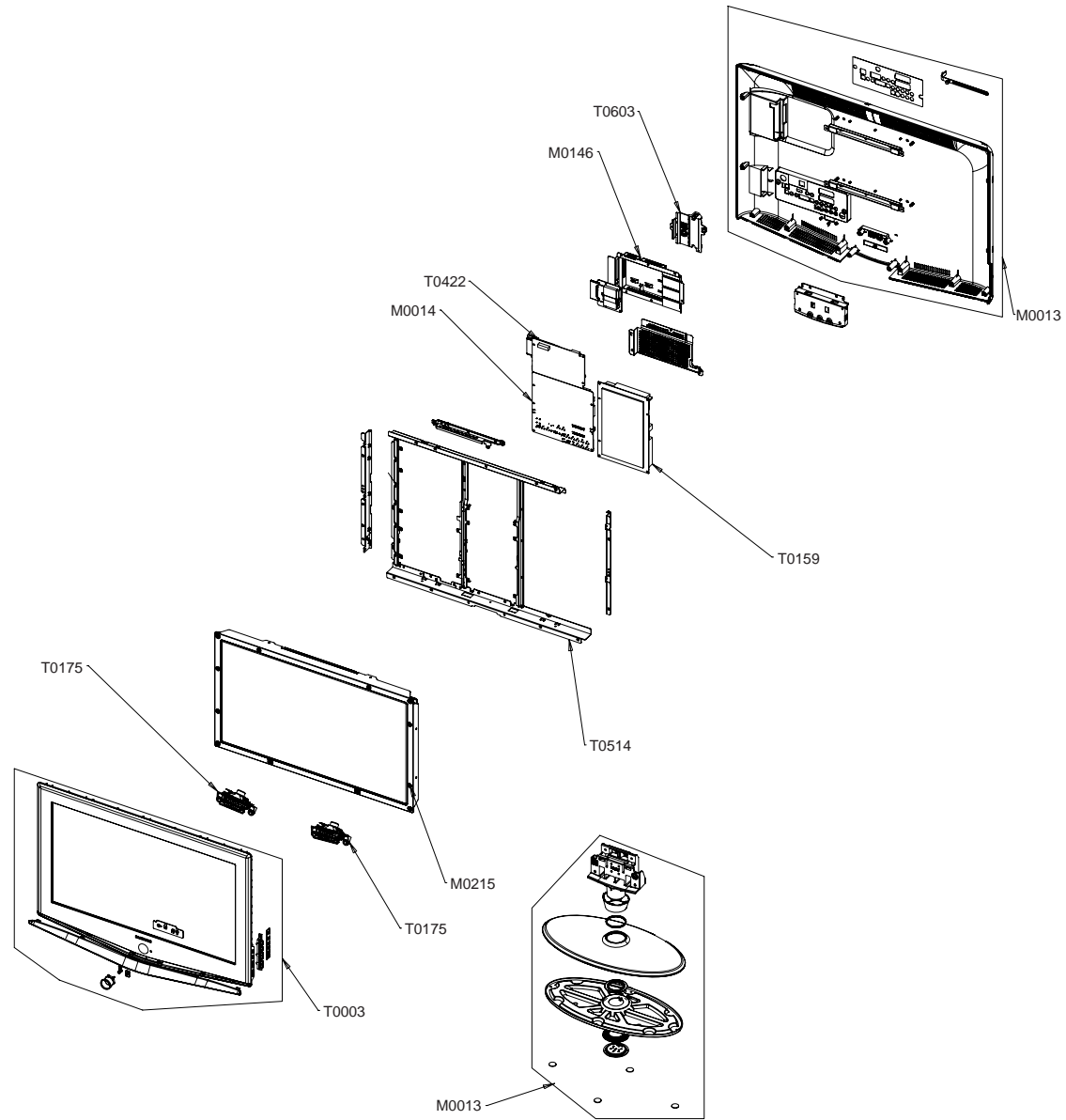


5 Exploded View & Parts List

5-8 LE26R74BD Parts list

Location	Code.No	Item & Specification	Q'ty	SA/SNA	Remark
T0003	BN96-03260B	ASSY COVER P-FRONT;26R74,EO,ABS+PMMA,HB,	1	SA	
T0175	BN96-03264A	ASSY SPEAKER P;16ohm,Bordeuax2, 26,Left,	1	SA	
T0175	BN96-03265A	ASSY SPEAKER P;16ohm,Bordeuax2, 26,Right	1	SA	
M0215	BN07-00254A	LCD-PANEL;T260XW02,8bit,626.0*373.0*50.0	1	SA	
M0146	BN61-02205B	BRACKET-PANEL TOP;Bordeaux 26,SECC,T1.2	1	SNA	
T0159	BN96-03058A	ASSY PCB P-SMPS;Bordeaux 26 PFC,LE26R71B	1	SA	
M0014	BN94-00866A	ASSY PCB MAIN;LE26R73BDX/XEU,CAMBRIDGE	1	SA	
T0422	BN94-00887B	ASSY PCB MISC-DTV MODULE;LE26R73BD/LE26R	1	SNA	
M0146	BN63-02460A	SHIELD CASE;CAMBRIDGE 26,SECC,T0.8,ITALY	1	SA	
T0603	BN63-02458A	SHIELD-PCB MAIN;CAMBRIDGE 32,SECC,T0.5,U	1	SA	
M0013	BN96-03245A	ASSY COVER P-REAR;26R73,EO,ABS+PMMA,HB,B	1	SA	
M0013	BN96-03017A	ASSY STAND P-BASE;26R71,ABS+PMMA,HB,BK23	1	SA	

5-9 LE32R74BD Exploded View

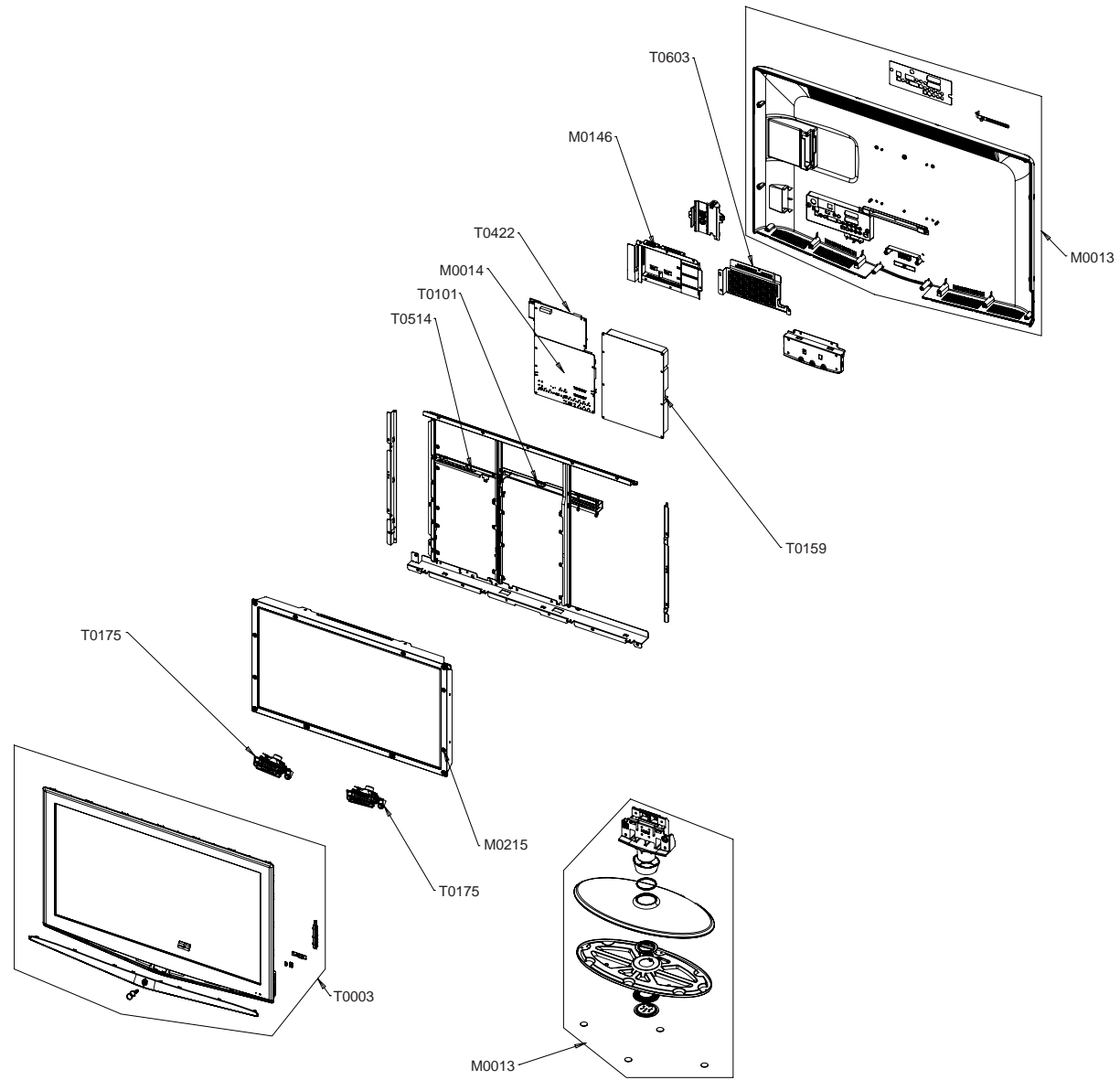


5 Exploded View & Parts List

5-10 LE32R74BD Parts list

Location	Code.No	Item & Specification	Q'ty	SA/SNA	Remark
T0003	BN96-03259B	ASSY COVER P-FRONT;32R74,EO,ABS+PMMA,HB,	1	SA	
T0175	BN96-03266A	ASSY SPEAKER P;8ohm,Bordeaux2, 32,Left,1	1	SA	
T0175	BN96-03267A	ASSY SPEAKER P;8ohm,Bordeaux2, 32,Right,	1	SA	
M0215	BN07-00247A	LCD-PANEL;LTA320WT-L14,-,8BIT,760*450*50	1	SA	
T0514	BN61-02393A	BRACKET-SUPPORT;CAMBRIDGE 32,SECC,T1.2	1	SA	
T0159	BN96-03057A	ASSY PCB P-SMPS;Bordeaux 32 PFC,LE32R71B	1	SA	
M0014	BN94-00865A	ASSY PCB MAIN;LE32R73BDX/XEU,CAMBRIDGE	1	SA	
T0422	BN94-00887A	ASSY PCB MISC-DTV MODULE;DTV MODULE,XEF	1	SNA	
M0146	BN63-02462A	SHIELD CASE;CAMBRIDGE 32,SECC,T0.8,UK	1	SA	
T0603	BN63-02458A	SHIELD-PCB MAIN;CAMBRIDGE 32,SECC,T0.5,U	1	SA	
M0013	BN96-03244A	ASSY COVER P-REAR;32R73,EO,ABS+PMMA,HB,B	1	SA	
M0013	BN96-02998A	ASSY STAND P-BASE;32R71,ABS+PMMA,HB,BK23	1	SA	

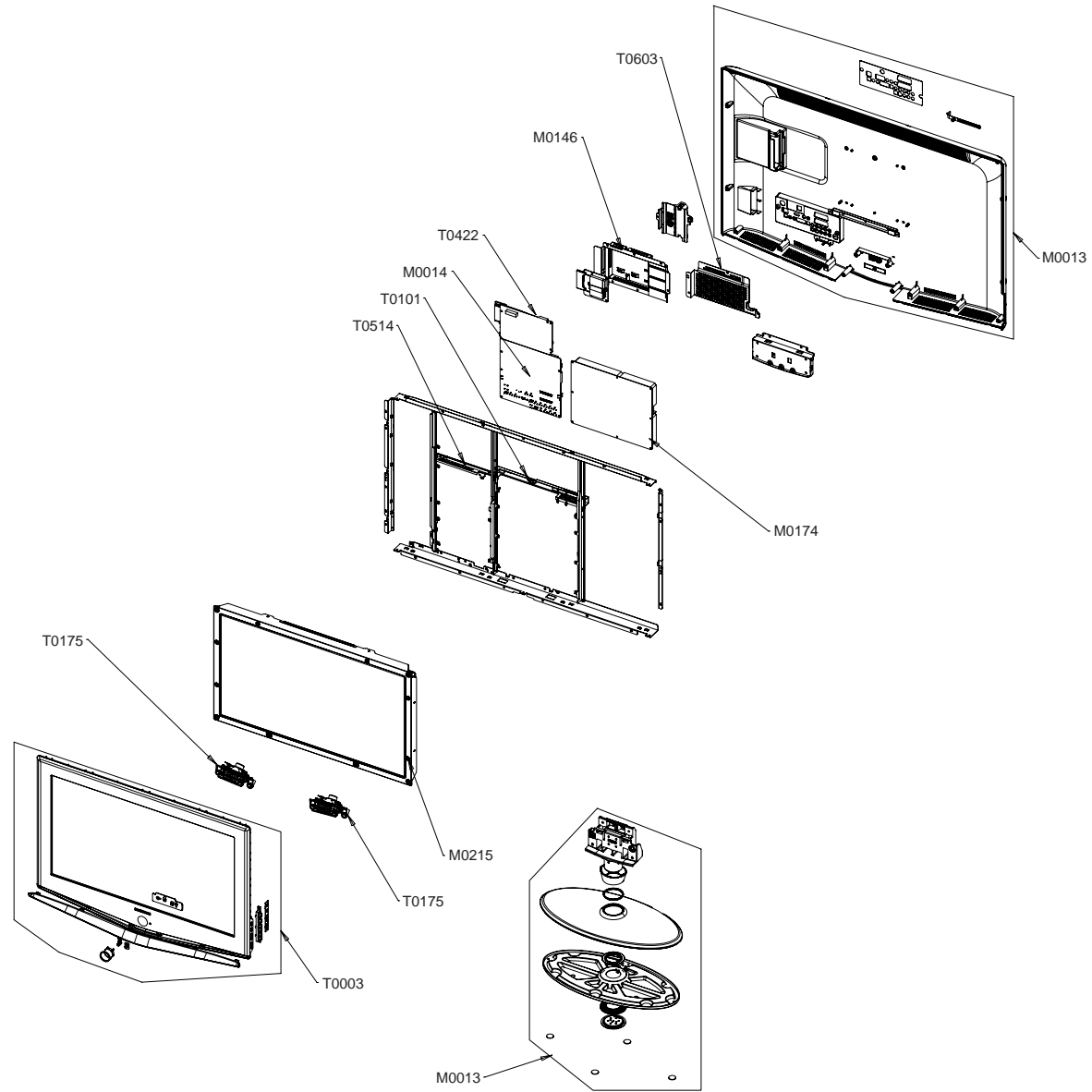
5-11 LE37R74BD Exploded View



5-12 LE37R74BD Parts list

Location	Code.No	Item & Specification	Q'ty	SA/SNA	Remark
T0003	BN96-03254B	ASSY COVER P-FRONT;37R74,EO,ABS+PMMA,HB,	1	SA	
T0175	BN96-03266A	ASSY SPEAKER P;8ohm,Bordeuax2, 32,Left,1	1	SA	
T0175	BN96-03267A	ASSY SPEAKER P;8ohm,Bordeuax2, 32,Right,	1	SA	
M0215	BN07-00255A	LCD-PANEL;T370XW01,8bit,877.0*514.6*54.7	1	SA	
T0514	BN61-02393A	BRACKET-SUPPORT;CAMBRIDGE 32,SECC,T1.2	1	SA	
T0101	BN61-02427A	BRACKET-WALL;BORDEAUX 40,SECC,T1.2	1	SA	
T0159	BN96-03050A	ASSY PCB P-SMPS;Bordeaux 37 PFC,LE37R71B	1	SNA	
M0014	BN94-00865A	ASSY PCB MAIN;LE32R73BDX/XEU,CAMBRIDGE	1	SA	
T0422	BN94-00887A	ASSY PCB MISC-DTV MODULE;DTV MODULE,XEF	1	SNA	
M0146	BN63-02462A	SHIELD CASE;CAMBRIDGE 32,SECC,T0.8,UK	1	SA	
T0603	BN63-02458A	SHIELD-PCB MAIN;CAMBRIDGE 32,SECC,T0.5,U	1	SA	
M0013	BN96-03292A	ASSY COVER P-REAR;37R74,EO,ABS+PMMA,HB,B	1	SA	
M0013	BN96-03016A	ASSY STAND P-BASE;40R71,ABS+PMMA,HB,BK23	1	SA	

5-13 LE40R74BD Exploded View



5 Exploded View & Parts List

5-14 LE40R74BD Parts list

Location	Code.No	Item & Specification	Q'ty	SA/SNA	Remark
T0003	BN96-03258B	ASSY COVER P-FRONT;40R74,EO,ABS+PMMA,HB,	1	SA	
T0175	BN96-03266A	ASSY SPEAKER P;8ohm,Bordeuax2, 32,Left,1	1	SA	
T0175	BN96-03267A	ASSY SPEAKER P;8ohm,Bordeuax2, 32,Right,	1	SA	
M0215	BN07-00264A	LCD-PANEL;LTA400WT-L01,8bit,952*551*51.0	1	SA	
T0514	BN61-02393A	BRACKET-SUPPORT;CAMBRIDGE 32,SECC,T1.2	1	SA	
T0101	BN61-02427A	BRACKET-WALL;BORDEAUX 40,SECC,T1.2	1	SA	
M0174	BN44-00134A	IP BOARD;SIP40,LE40R71B,2.0-3.0mA,6.0-7.	1	SA	
M0014	BN94-00865A	ASSY PCB MAIN;LE32R73BDX/XEU,CAMBRIDGE	1	SA	
T0422	BN94-00887A	ASSY PCB MISC-DTV MODULE;DTV MODULE,XEF	1	SNA	
M0146	BN63-02462A	SHIELD CASE;CAMBRIDGE 32,SECC,T0.8,UK	1	SA	
T0603	BN63-02458A	SHIELD-PCB MAIN;CAMBRIDGE 32,SECC,T0.5,U	1	SA	
M0013	BN96-03243A	ASSY COVER P-REAR;40R73,EO,ABS+PMMA,HB,B	1	SA	
M0013	BN96-03016A	ASSY STAND P-BASE;40R71,ABS+PMMA,HB,BK23	1	SA	