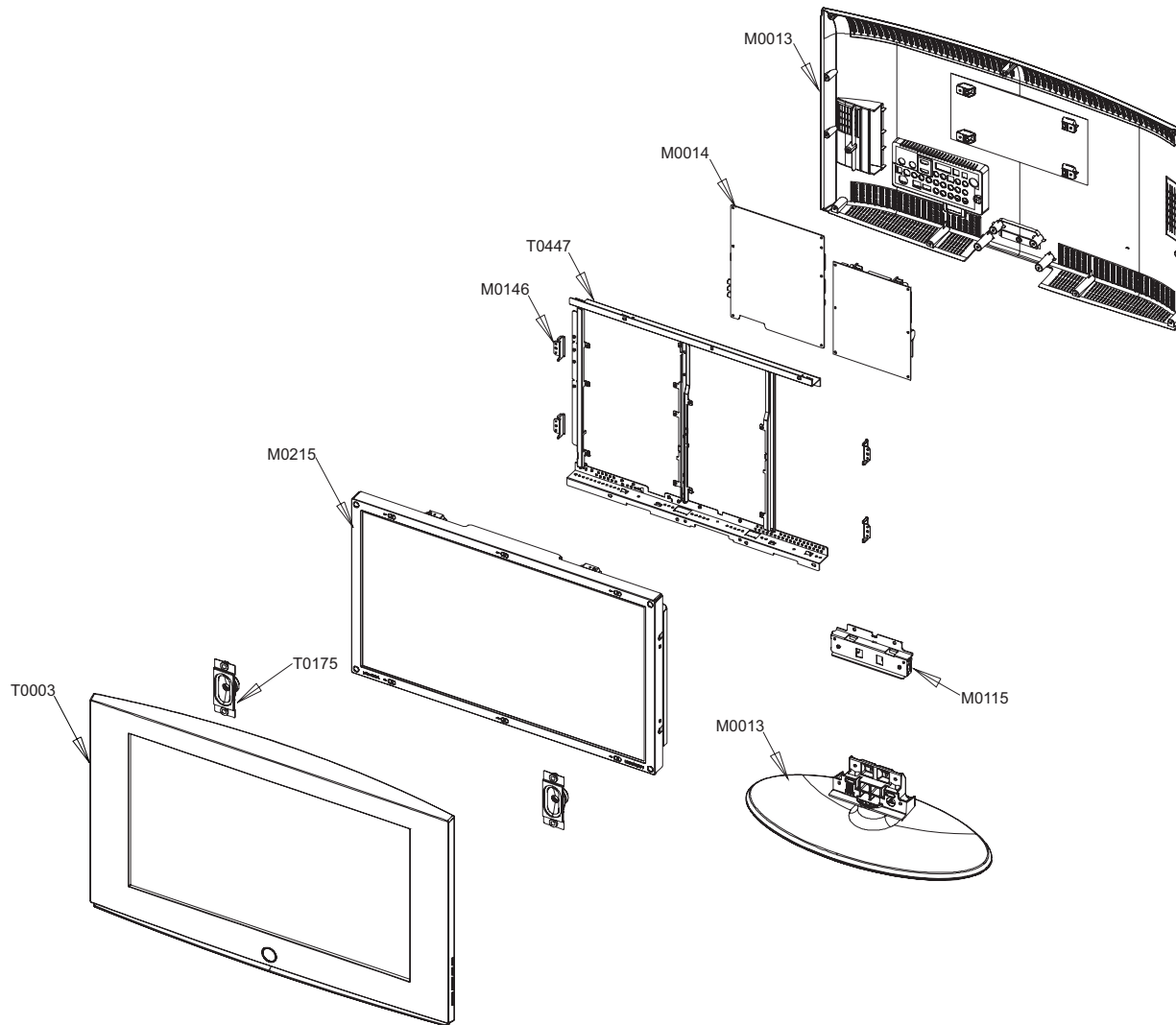


## 5 Exploded View and Parts List

- You can search for updated part codes through ITSELF web site.  
URL : <http://itself.sec.samsung.co.kr/>

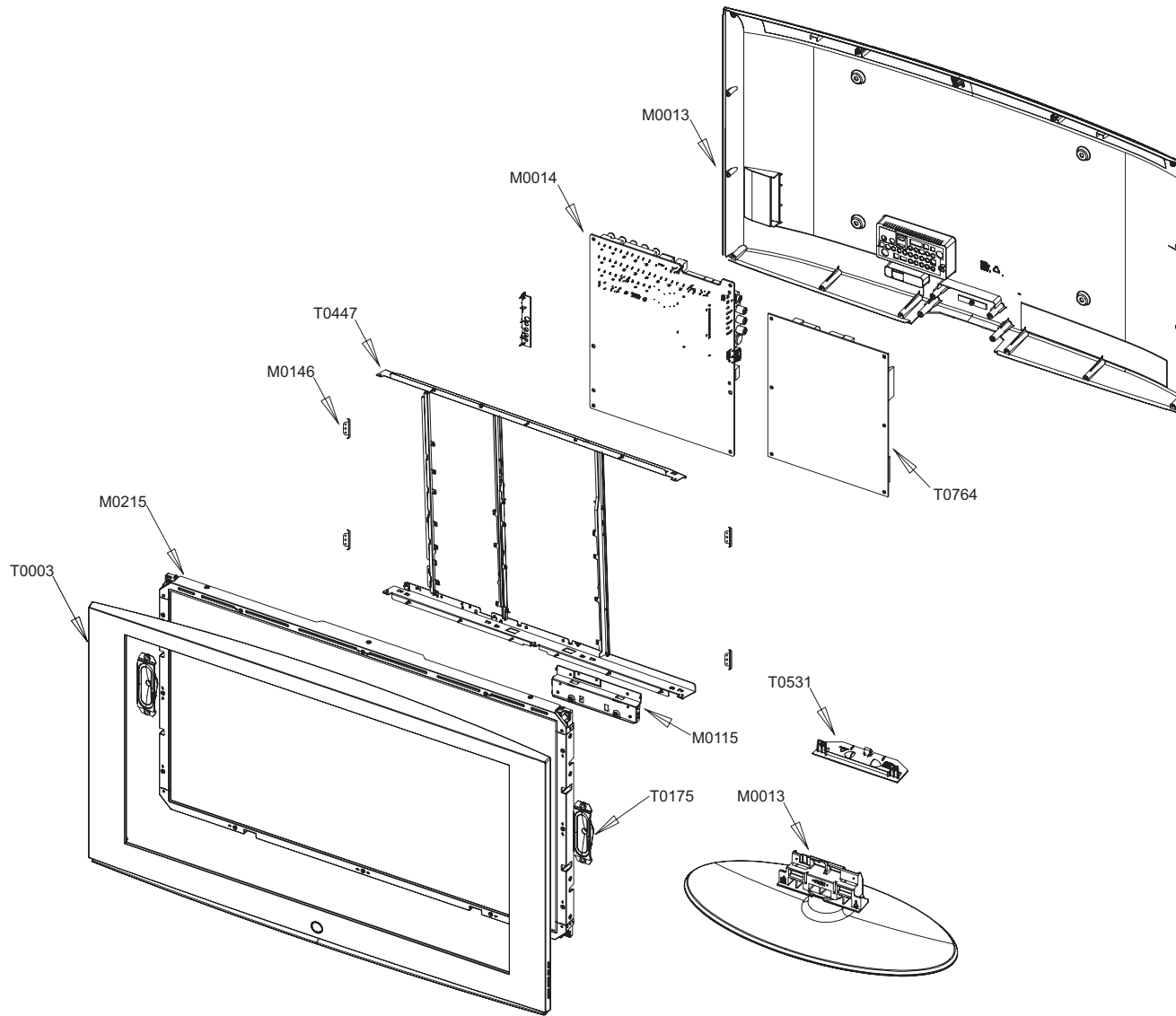
### 5-1 LE26S81BX Exploded View



## 5-2 LE26S81BX Parts list

Location	Code.No	Item & Specification	Q'ty	SA/SNA	Remark
T0003	BN96-04750C	ASSY COVER P-FRONT;26S86,EO,ABS+PMMA,HB,	1	S.A	
T0175	BN96-04769A	ASSY SPEAKER P;16ohm,4pin,5W,Jasmine 23"	1	S.A	
M0215	BN07-00364A	LCD-PANEL;V260B1-L04,6bit+FRC,26inch,16.	1	S.A	
T0447	BN96-04682C	ASSY BRACKET P-PANEL;26S86,,EO(DTV),-,.	1	S.N.A	
M0146	BN61-02207A	BRACKET-PANEL SIDE;Bordeaux 26,SECC,T1.2	4	S.N.A	
M0115	BN61-02931A	BRACKET-STAND LINK;JASMINE 26,SECC,T1.6	1	S.N.A	
M0014	BN94-01193B	ASSY PCB MAIN;LE26S86BDX/*	1	S.A	
M0013	BN96-04745A	ASSY STAND P-BASE;23,26S81,ABS+PMMA,HB,B	1	S.A	
M0013	BN96-04820B	ASSY COVER P-REAR;26S86,EO,HIPS,HB,BK500	1	S.A	

5-3 LE32S81BX Exploded View

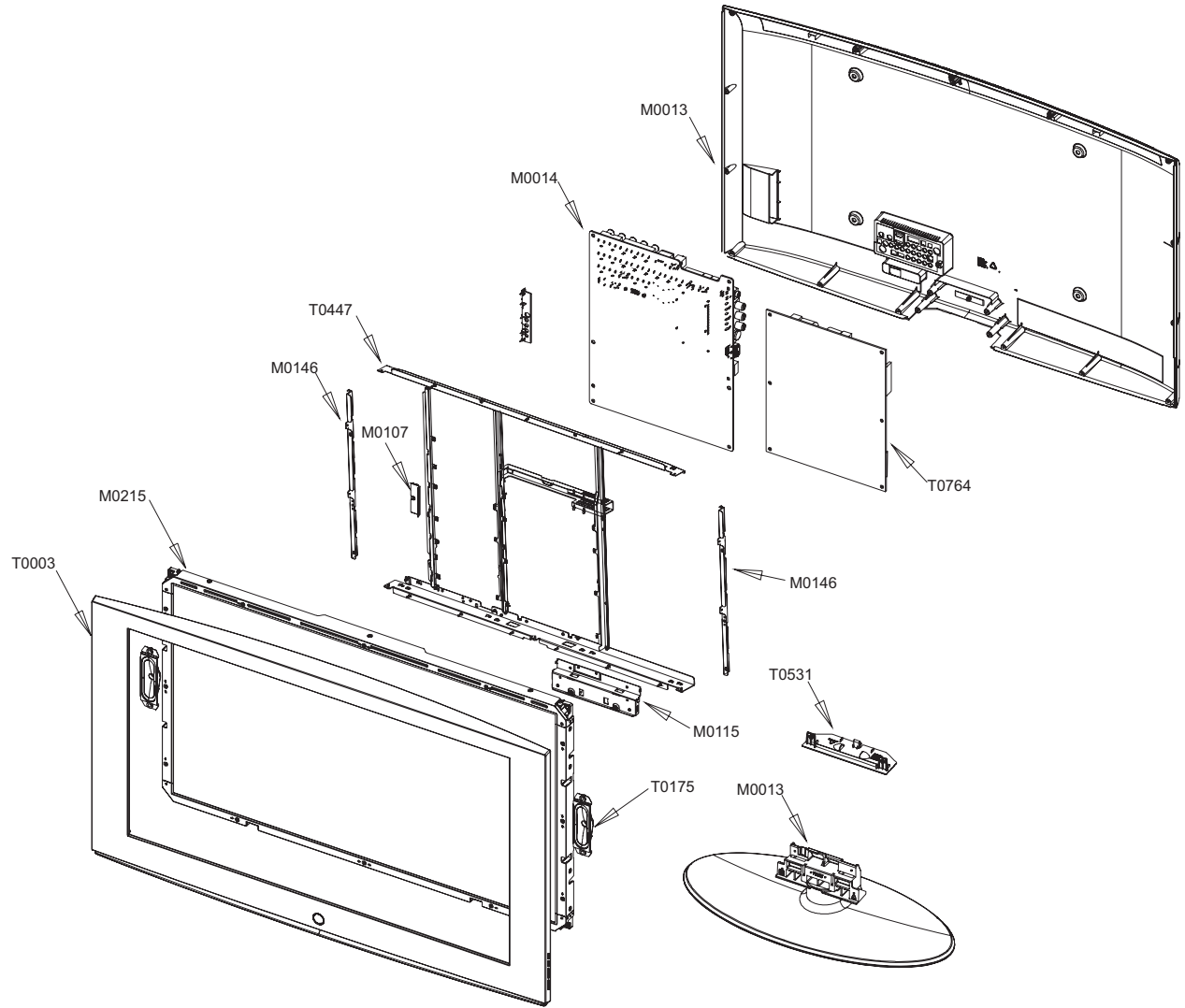


## 5 Exploded View &amp; Parts List

## 5-4 LE32S81BX Parts list

Location	Code.No	Item & Specification	Q'ty	SA/SNA	Remark
T0003	BN96-04694E	ASSY COVER P-FRONT;32S86,EO,ABS+PMMA,HB,	1	S.A	
T0175	BN96-04770A	ASSY SPEAKER P;8ohm,4pin,10W,Jasmine 32"	1	S.A	
M0215	BN07-00348A	LCD-PANEL;V315B1-L01,8bit,31.5inch,16.7M	1	S.A	
T0447	BN96-04681A	ASSY BRACKET P-PANEL;32R81,-,-,-,AM,CM	1	S.N.A	
M0146	BN61-02419A	BRACKET-PANEL SIDE;SONOMA 32,SECC,T1.2,A	4	S.N.A	
T0764	BN44-00156A	SMPS-LCDTV;MK32P,SEM,AC/DC,180W,AC100 ~	1	S.A	
T0531	BN63-03093B	COVER-BOTTOM;32S81,HIPS,-,-,-,HB,-,BK500	1	S.A	
M0115	BN61-02947A	BRACKET-STAND LINK;JASMINE 32",SECC,T1.6	1	S.N.A	
M0014	BN94-01193A	ASSY PCB MAIN;LE32S86BDX/*	1	S.A	
M0013	BN96-04697A	ASSY STAND P-BASE;32S81,-,-,ABS+PMMA,HB,BK	1	S.A	
M0013	BN96-04698B	ASSY COVER P-REAR;32S86,EO,HIPS,HB,BK500	1	S.A	

5-5 LE37S81BX Exploded View

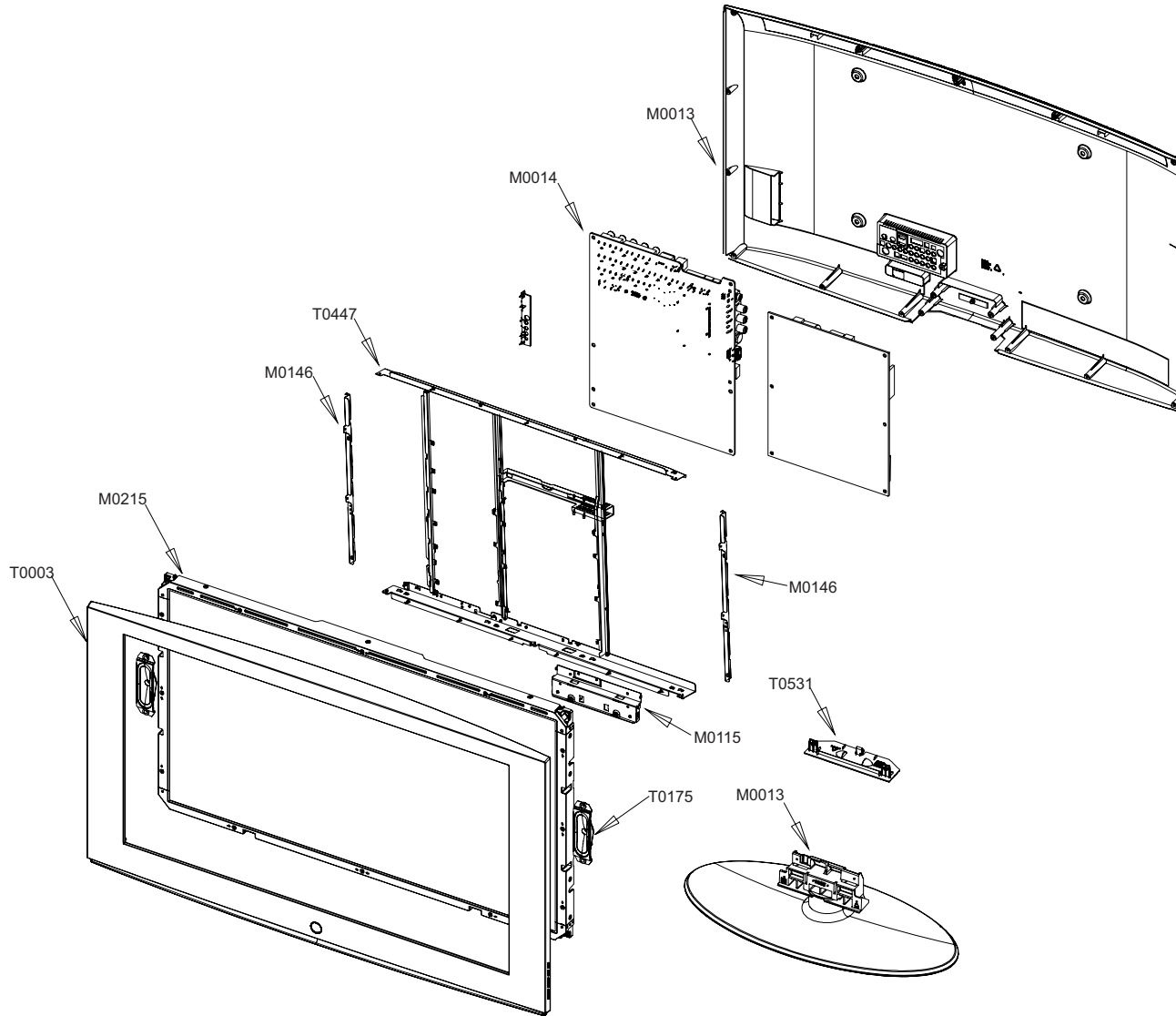


## 5 Exploded View &amp; Parts List

## 5-6 LE37S81BX Parts list

Location	Code.No	Item & Specification	Q'ty	SA/SNA	Remark
T0003	BN96-04752C	ASSY COVER P-FRONT;37S86,EO,ABS+PMMA,HB,	1	S.A	
T0175	BN96-04770A	ASSY SPEAKER P;8ohm,4pin,10W,Jasmine 32"	1	S.A	
M0215	BN07-00366A	LCD-PANEL;CLAA370WA03,8bit,37inch,16.7M,	1	S.A	
T0447	BN96-04680A	ASSY BRACKET P-PANEL;BORDEAUX PLUS37	1	S.N.A	
M0146	BN61-02241A	BRACKET-PANEL SIDE;Bordeaux 37,SECC,T1.2	1	S.N.A	
M0146	BN61-02242A	BRACKET-PANEL SIDE;Bordeaux 37,SECC,T1.2	1	S.N.A	
T0764	BN44-00157A	SMPS-LCDTV;MK37,SEM,AC/DC,280W,AC100 ~ 2	1	S.A	
T0531	BN63-03127B	COVER-BOTTOM;37,40S81,HIPS,-,-,HB,-,BK	1	S.A	
M0107	BN63-03039A	SHIELD-COVER;MURANO40,PCM,T0.5,IDTV	1	S.N.A	
M0115	BN61-02882A	BRACKET-STAND LINK;TULIP,40,SECC,T1.6,-,	1	S.N.A	
M0014	BN94-01193C	ASSY PCB MAIN;LE37S86BDX/*	1	S.A	
M0013	BN96-04754A	ASSY STAND P-BASE;37,40S81,ABS+PMMA,HB,B	1	S.A	
M0013	BN96-04826B	ASSY COVER P-REAR;37S86,EO,HIPS,HB,BK500	1	S.A	

5-7 LE40S81BX Exploded View



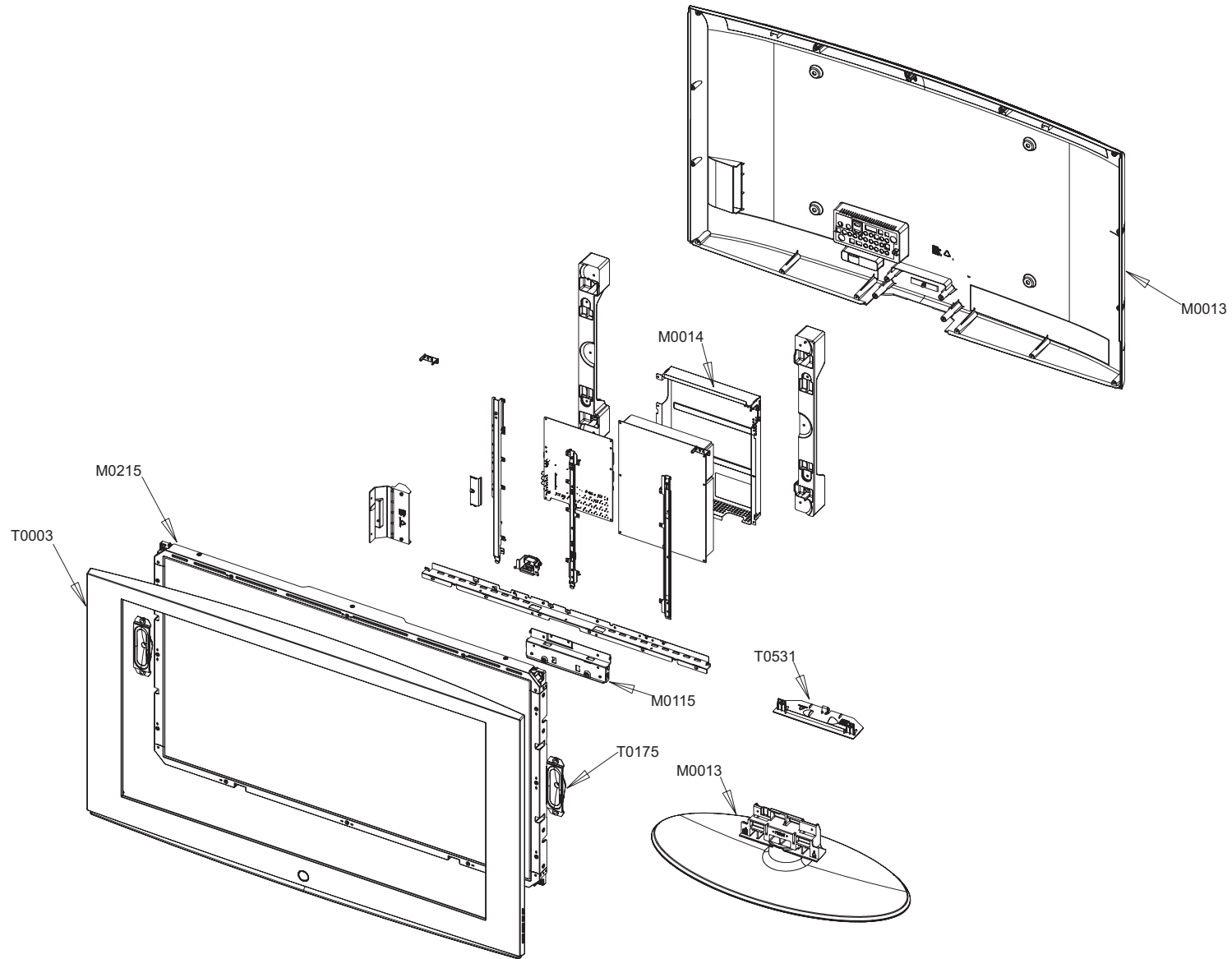
## 5 Exploded View &amp; Parts List

## 5-8 LE40S81BX Parts list

Location	Code.No	Item & Specification	Q'ty	SA/SNA	Remark
T0003	BN96-04753C	ASSY COVER P-FRONT;40S86,EO,ABS+PMMA,HB,	1	S.A	
T0175	BN96-04770B	ASSY SPEAKER P;8ohm,4pin,10W,600/1250mm,	1	S.A	
M0215	BN07-00370A	LCD-PANEL;T400XW02,8bit,40inch,16.7M,16:	1	S.A	
T0447	BN96-04679A	ASSY BRACKET P-PANEL,BORDEAUX PLUS40	1	S.N.A	
M0146	BN61-02256B	BRACKET-PANEL SIDE;Bordeaux 40,SECC,T1.2	1	S.N.A	
M0146	BN61-02257B	BRACKET-PANEL SIDE;Bordeaux 40,SECC,T1.2	1	S.N.A	
T0531	BN63-03127B	COVER-BOTTOM;37,40S81,HIPS,-,-,HB,-,BK	1	S.A	
M0115	BN61-02882A	BRACKET-STAND LINK;TULIP,40,SECC,T1.6,-,	1	S.N.A	
M0014	BN94-01193D	ASSY PCB MAIN;LE40S86BDX/*	1	S.A	
M0013	BN96-04754A	ASSY STAND P-BASE;37,40S81,ABS+PMMA,HB,B	1	S.A	
M0013	BN96-04822B	ASSY COVER P-REAR;40S86,EO,HIPS,HB,BK500	1	S.A	



5-9 LE46S81BX Exploded View



## 5 Exploded View &amp; Parts List

## 5-10 LE46S81BX Parts list

Location	Code.No	Item & Specification	Q'ty	SA/SNA	Remark
T0003	BN96-04738C	ASSY COVER P-FRONT;46S86,EO,ABS+PMMA,HB,	1	S.A	
T0175	BN96-04770C	ASSY SPEAKER P;8ohm,4pin,10W,750/1250mm,	1	S.A	
M0215	BN07-00389A	LCD-PANEL; LTA460WT-L11,8bit,46inch,16.7	1	S.A	
T0447	BN96-05214D	ASSY BRACKET P-PANEL;46S81,KO	1	S.N.A	
T0531	BN63-03185B	COVER-BOTTOM;46S81,HIPS,-,-,-,HB,-,BK500	1	S.A	
M0014	BN94-01193E	ASSY PCB MAIN;LE46S86BDX/*	1	S.A	
M0013	BN96-04743A	ASSY STAND P-BASE;46S81,ABS+PMMA,HB,BK23	1	S.A	
M0013	BN96-04825B	ASSY COVER P-REAR;46S86,EO,HIPS,HB,BK500	1	S.A	