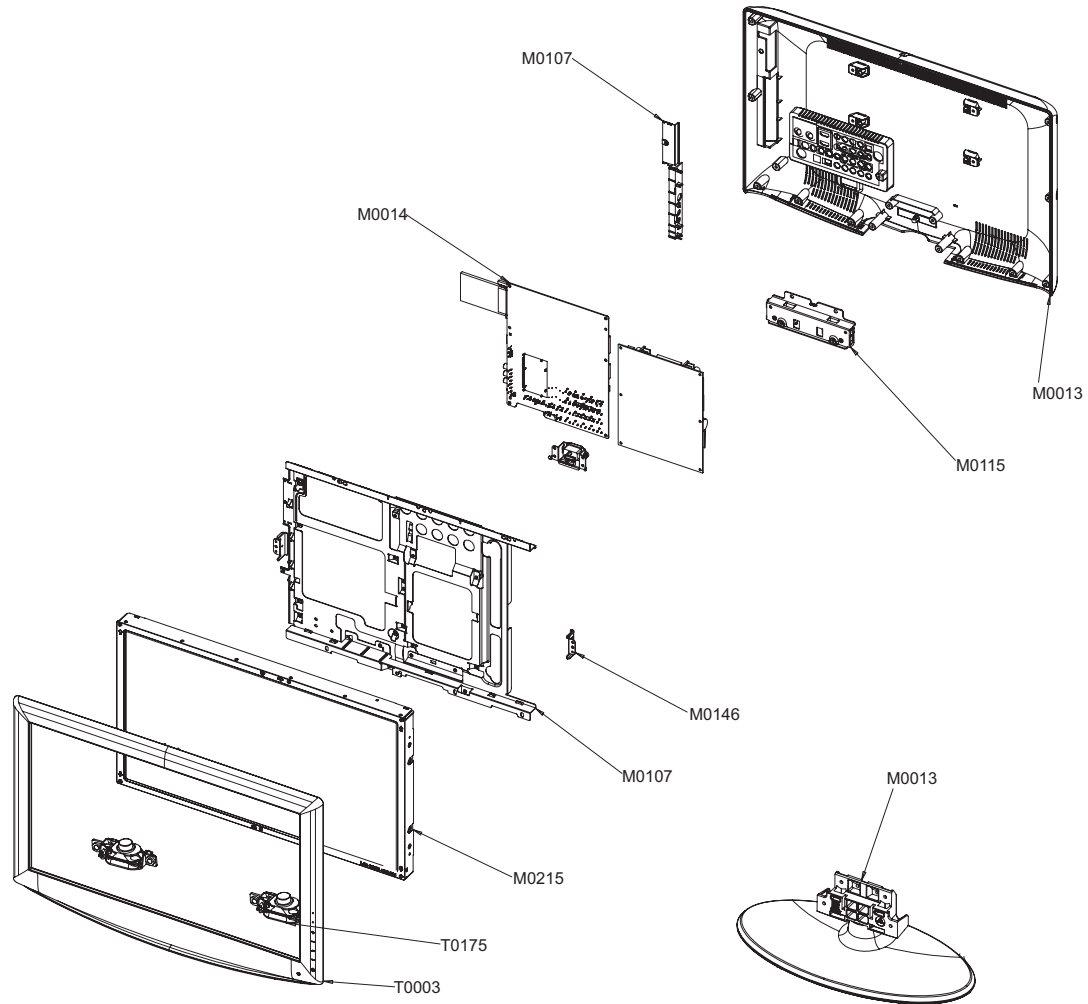


5 Exploded View and Parts List

- You can search for updated part codes through ITSELF web site.
URL : <http://itself.sec.samsung.co.kr/>

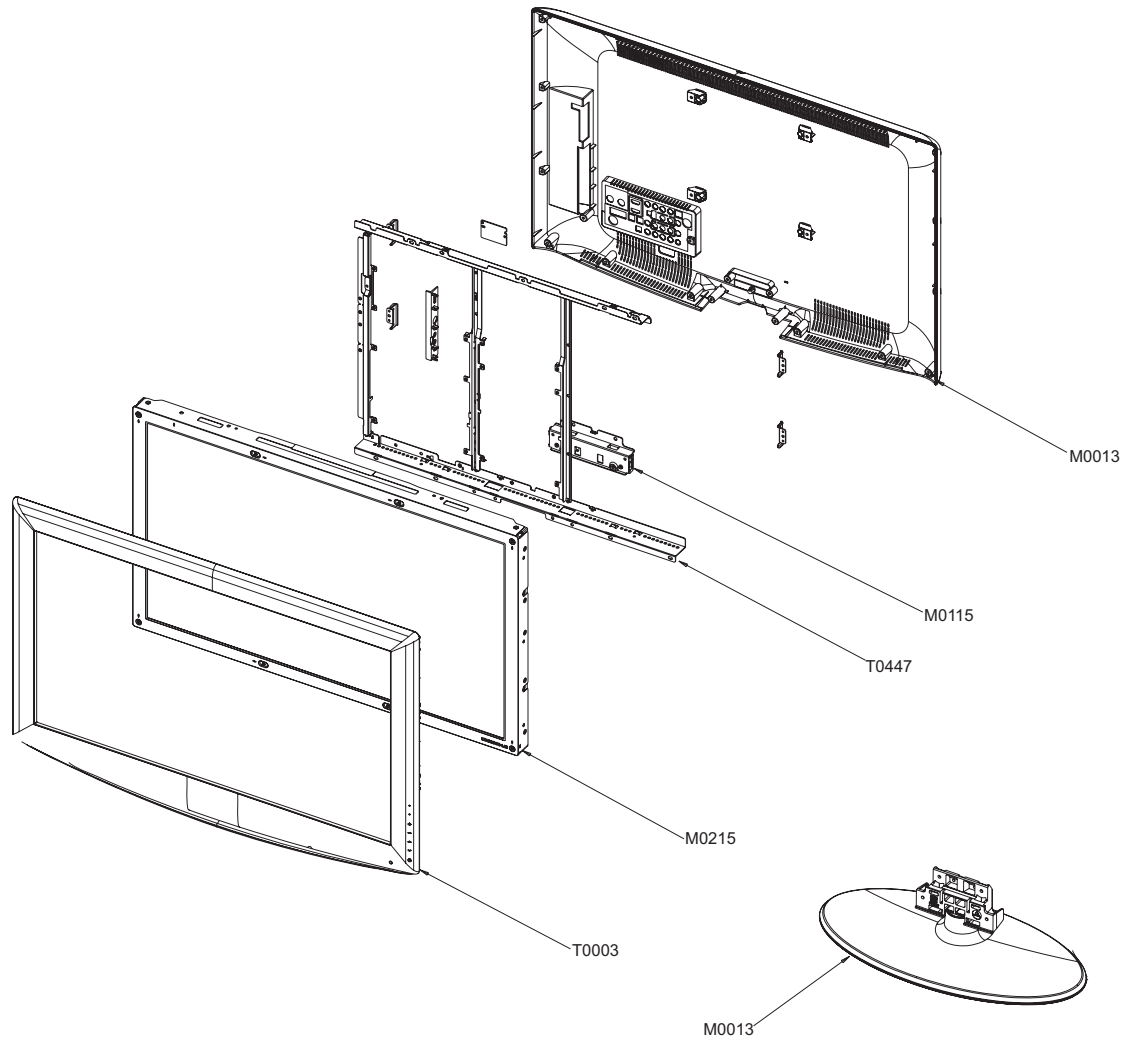
5-1 LE23R86BD Exploded View



5-2 LE23R86BD Parts list

Location	Code.No	Item & Specification	Q'ty	SA/SNA	Remark
T0003	BN96-04660B	ASSY COVER P-FRONT;23R81,EO(IDTV),-,ABS+	1	S.A	
T0175	BN96-04767A	ASSY SPEAKER P;16ohm,4pin,5W,Bordeaux PI	1	S.A	
M0215	BN07-00365A	LCD-PANEL;T230XW01,8bit,23inch,16.7M,16:	1	S.A	
M0107	BN63-03039A	SHIELD-COVER;MURANO40,PCM,T0.5,IDTV	1	S.N.A	
M0107	BN61-03037A	BRACKET-PCB;23 BORDEAUX PLUS,SECC,T1.0	1	S.N.A	
M0146	BN61-03060A	BRACKET-PANEL SIDE;BORDEAUX PLUS 23,SECC	2	S.N.A	
M0115	BN61-02965A	BRACKET-STAND LINK;32 BORDEAUX PLUS,SECC	1	S.N.A	
M0014	BN94-01121E	ASSY PCB MAIN;LE23R86BDX*	1	S.A	
M0013	BN96-04663A	ASSY STAND P-BASE;23,26R81,NORMAL,-,ABS+	1	S.A	
M0013	BN96-04673A	ASSY COVER P-REAR;23R81,EO(IDTV),-,ABS+P	1	S.A	

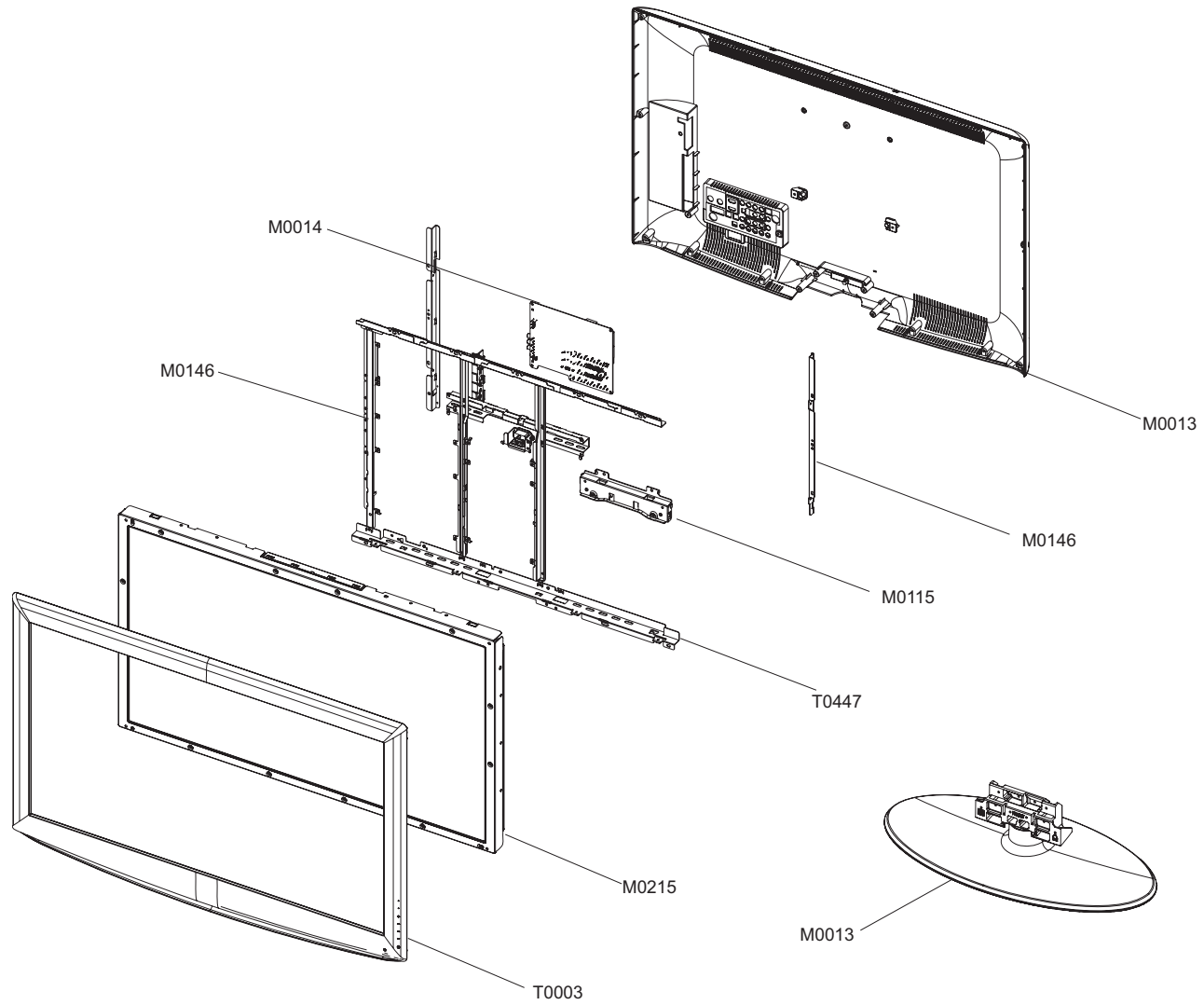
5-3 LE32R82BX Exploded View



5-4 LE32R82BX Parts list

Location	Code.No	Item & Specification	Q'ty	SA/SNA	Remark
T0003	BN96-05170B	ASSY COVER P-FRONT;32R82,EO,ABS+PMMA,HB,	1	S.A	
T0175	BN96-04768B	ASSY SPEAKER P;8ohm,4pin,10W,150/650,Bor	1	S.A	
M0215	BN07-00348A	LCD-PANEL;V315B1-L01,8bit,31.5inch,16.7M	1	S.A	
T0447	BN96-04681G	ASSY BRACKET P-PANEL;32R81,CMO,PAL,SPACE	1	S.N.A	
M0115	BN61-02965A	BRACKET-STAND LINK;32 BORDEAUX PLUS,SECC	1	S.N.A	
M0014	BN94-01325A	ASSY PCB MAIN-CMO;LE32R81BX*	1	S.N.A	
M0013	BN96-04662A	ASSY STAND P-BASE;32R81,M81,SWIVEL,-,ABS	1	S.A	
M0013	BN96-04671B	ASSY COVER P-REAR;32R81,EO,ABS+PMMA,HB,B	1	S.A	

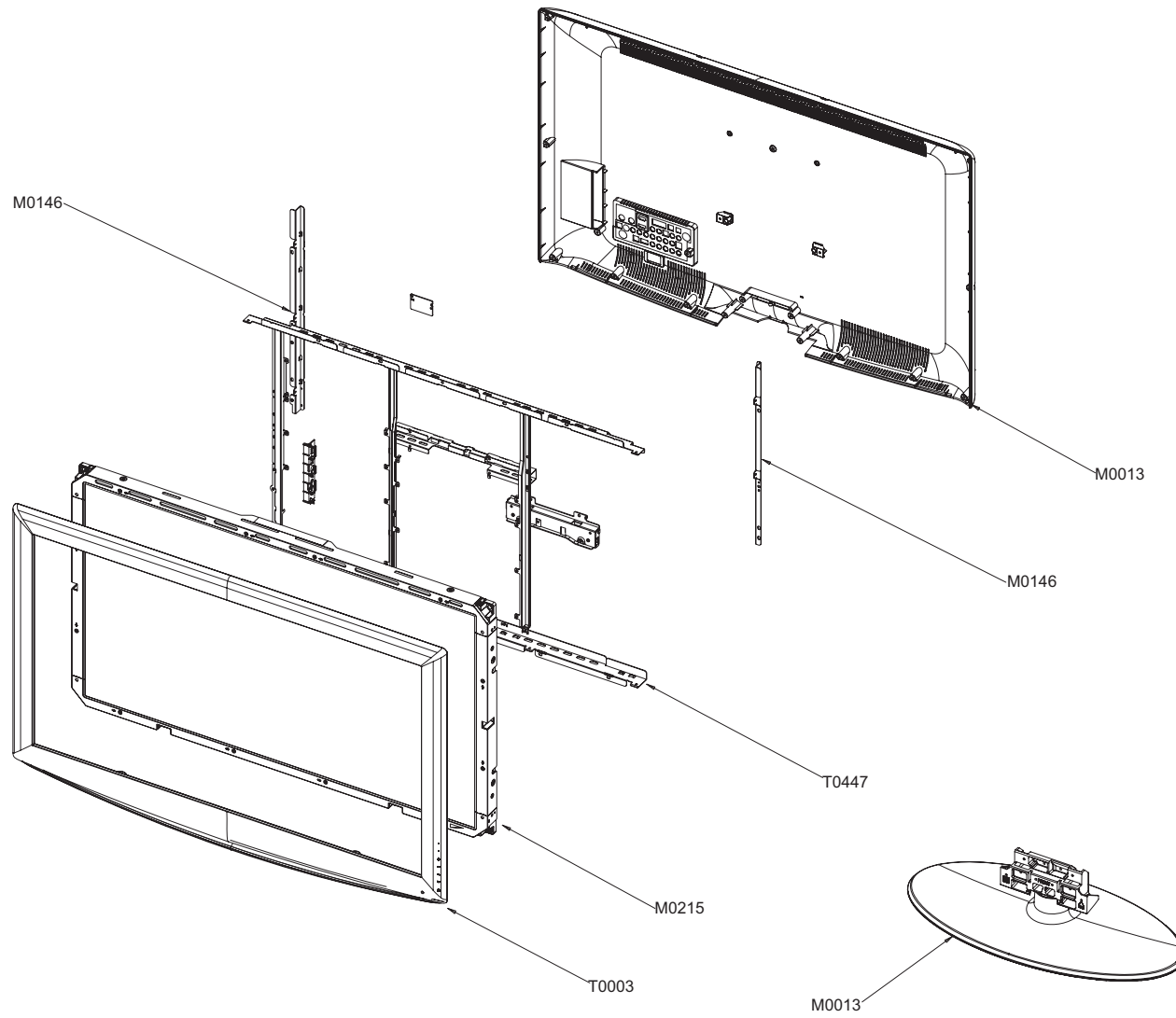
5-5 LE37R82BX Exploded View



5-6 LE37R82BX Parts list

Location	Code.No	Item & Specification	Q'ty	SA/SNA	Remark
T0003	BN96-05169B	ASSY COVER P-FRONT;37R82,EO,ABS+PMMA,HB,	1	S.A	
T0175	BN96-04768A	ASSY SPEAKER P;8ohm,4pin,10W,Bordeaux PI	1	S.A	
M0215	BN07-00393A	LCD-PANEL;T370XW02,8bit,37inch,16.7M,16:	1	S.A	
T0447	BN96-04680A	ASSY BRACKET P-PANEL;BORDEAUX PLUS37	1	S.N.A	
M0115	BN61-02882A	BRACKET-STAND LINK;TULIP,40,SECC,T1.6,-,	1	S.N.A	
M0014	BN94-01325E	ASSY PCB MAIN-AUO;LE37R81BX/BWT	1	S.A	
M0146	BN61-02241A	BRACKET-PANEL SIDE;Bordeaux 37,SECC,T1.2	1	S.N.A	
M0146	BN61-02242A	BRACKET-PANEL SIDE;Bordeaux 37,SECC,T1.2	1	S.N.A	
M0013	BN96-04661A	ASSY STAND P-BASE;37,40R81,SWIVEL,-,ABS+	1	S.A	
M0013	BN96-04670B	ASSY COVER P-REAR;37R81,EO,ABS+PMMA,HB,B	1	S.A	

5-7 LE40R83BX Exploded View



5-8 LE40R83BX Parts list

Location	Code.No	Item & Specification	Q'ty	SA/SNA	Remark
T0003	BN96-04656N	ASSY COVER P-FRONT;40R83,EO,ABS+PMMA,HB,	1	S.A	
T0175	BN96-04768A	ASSY SPEAKER P;8ohm,4pin,10W,Bordeaux PI	1	S.A	
M0215	BN07-00387A	LCD-PANEL; LTA400WT-L06,8bit,40inch,16.7	1	S.A	
T0447	BN96-04679D	ASSY BRACKET P-PANEL;40R81,IP BOARD,SPAC	1	S.N.A	
M0107	BN61-03036A	BRACKET-PCB;40 BORDEAUX PLUS,SECC,T1.2,S	1	S.N.A	
M0146	BN61-02256B	BRACKET-PANEL SIDE;Bordeaux 40,SECC,T1.2	1	S.N.A	
M0146	BN61-02257B	BRACKET-PANEL SIDE;Bordeaux 40,SECC,T1.2	1	S.N.A	
M0013	BN96-04661A	ASSY STAND P-BASE;37,40R81,SWIVEL,-,ABS+	1	S.A	
M0013	BN96-04669B	ASSY COVER P-REAR;40R81,EO,ABS+PMMA,HB,B	1	S.A	