

SHARP PARTS GUIDE

No. S19W3LC42DH77



LCD COLOUR TELEVISION

MODELS **LC-42DH77E/RU/S/V** **LC-46DH77E/RU/S/V**

CONTENTS

- | | |
|--|--|
| [1] PRINTED WIRINGBOARD ASSEMBLY (LC-42DH77E/RU/S/V) | [8] LCD PANEL MODULE ASSEMBLY (LC-42DH77E/RU/S/V) |
| [2] PRINTED WIRINGBOARD ASSEMBLY (LC-46DH77E/RU/S/V) | [9] CABINET PARTS (LC-46DH77E/RU/S/V) |
| [3] LCD PANEL | [10] LCD PANEL MODULE ASSEMBLY (LC-46DH77E/RU/S/V) |
| [4] DUNTKE685FM24/39 (MAIN Unit) | [11] SUPPLIED ACCESSORIES |
| [5] DUNTKF096FM02 (LED Unit) | [12] PACKING PARTS (LC-42DH77E/RU/S/V) |
| [6] DUNTKE266FM01 (KEY Unit) | [13] PACKING PARTS (LC-46DH77E/RU/S/V) |
| [7] CABINET PARTS (LC-42DH77E/RU/S/V) | [14] SERVICE JIGS |

Parts marked with "▲" are important for maintaining the safety of the set. Be sure to replace these parts with specified ones for maintaining the safety and performance of the set.

LC-42DH77E/RU/S/V, LC-46DH77E/RU/S/V

NO.	PARTS CODE	PRICE RANK	NEW MARK	PART DELIVERY	DESCRIPTION
[1] PRINTED WIRINGBOARD ASSEMBLY (LC-42DH77E/RU/S/V)					
N	DUNTKE685FM24		N	R	MAIN Unit (Not tuner unit)
N	DUNTKF096FM02	AS	N	R	LED Unit
N	DUNTKE266FM01	AR	N	R	KEY Unit
N	RDENCA322WJQZ	BP	N	P	POWER Unit (Unit Replacement Item)
N	RUNTKA534WJQZ			J	INVERTER Unit (Unit Replacement Item)
TU7501	RTUDAA019WJQZ	AY	N	P	Tuner unit
[2] PRINTED WIRINGBOARD ASSEMBLY (LC-46DH77E/RU/S/V)					
N	DUNTKE685FM39	DC	N	R	MAIN Unit (Not tuner unit)
N	DUNTKF096FM02	AS	N	R	LED Unit
N	DUNTKE266FM01	AR	N	R	KEY Unit
N	RDENCA308WJQZ	BR		S	POWER Unit (Unit Replacement Item)
N	RUNTKA538WJQZ			J	INVERTER (1) Unit (Unit Replacement Item)
N	RUNTKA539WJQZ			J	INVERTER (2) Unit (Unit Replacement Item)
TU7501	RTUDAA019WJQZ	AZ	N	S	Tuner unit
[3] LCD PANEL					
N	R1LK420D3LW80Y	DN	N	P	42" LCD Panel Module
N	R1LK460D3LW8AY		N	J	46" LCD Panel Module
[4] DUNTKE685FM24/39 (MAIN Unit)					
C502	VCKYCZ1EF104ZY	AA		J	Capacitor 0.1 25V Ceramic
C503	VCEASY1CN477MY	AD		J	Capacitor 470 16V Electrolytic
C504	VCKYCZ1HB102KY	AB		J	Capacitor 1000p 50V Ceramic
C505	VCKYCY1AB105KY	AB		J	Capacitor 1 10V Ceramic
C506	VCKYCY1AB105KY	AB		J	Capacitor 1 10V Ceramic
C507	VCKYCY1AB105KY	AB		J	Capacitor 1 10V Ceramic
C511	VCCCCZ1HH101JY	AB		J	Capacitor 100p 50V Ceramic
C512	VCCCCZ1HH101JY	AB		J	Capacitor 100p 50V Ceramic
C513	VCKYCY1AB105KY	AB		J	Capacitor 1 10V Ceramic
C514	VCKYCY1AB105KY	AB		J	Capacitor 1 10V Ceramic
C515	VCKYCY1AB105KY	AB		J	Capacitor 1 10V Ceramic
C516	VCEASY1CN477MY	AD		J	Capacitor 470 16V Electrolytic
C517	VCKYCY1AB105KY	AB		J	Capacitor 1 10V Ceramic
C518	RC-KZA237WJZZY	AB		J	Capacitor 10 16V Ceramic
C519	VCKYCY1AB105KY	AB		J	Capacitor 1 10V Ceramic
C524	VCKYCY1AB105KY	AB		J	Capacitor 1 10V Ceramic
C525	VCKYCZ1EF104ZY	AA		J	Capacitor 0.1 25V Ceramic
C528	VCCCCZ1HH101JY	AB		J	Capacitor 100p 50V Ceramic
C529	VCCCCZ1HH101JY	AB		J	Capacitor 100p 50V Ceramic
C530	VCKYCZ1HB221KY	AA		J	Capacitor 220p 50V Ceramic
C532	VCKYCZ1HB331KY	AA		J	Capacitor 330p 50V Ceramic
C533	VCKYCZ1HB331KY	AA		J	Capacitor 330p 50V Ceramic
C534	VCKYCZ1HB331KY	AA		J	Capacitor 330p 50V Ceramic
C535	VCKYCZ1HB331KY	AA		J	Capacitor 330p 50V Ceramic
C538	VCKYCZ1HB471KY	AB		J	Capacitor 470p 50V Ceramic
C539	VCKYCZ1HB471KY	AB		J	Capacitor 470p 50V Ceramic
C540	VCKYCZ1HB471KY	AB		J	Capacitor 470p 50V Ceramic
C541	VCKYCZ1HB471KY	AB		J	Capacitor 470p 50V Ceramic
C542	VCCCCZ1HH101JY	AB		J	Capacitor 100p 50V Ceramic
C543	VCCCCZ1HH101JY	AB		J	Capacitor 100p 50V Ceramic
C544	VCCCCZ1HH101JY	AB		J	Capacitor 100p 50V Ceramic
C545	VCCCCZ1HH101JY	AB		J	Capacitor 100p 50V Ceramic
C546	VCKYCZ1HB102KY	AB		J	Capacitor 1000p 50V Ceramic
C547	VCKYCZ1HB102KY	AB		J	Capacitor 1000p 50V Ceramic
C548	RC-KZA237WJZZY	AB		J	Capacitor 10 16V Ceramic
C549	RC-KZA237WJZZY	AB		J	Capacitor 10 16V Ceramic
C550	RC-KZA237WJZZY	AB		J	Capacitor 10 16V Ceramic
C551	RC-KZA237WJZZY	AB		J	Capacitor 10 16V Ceramic
C552	VCKYCZ1EF104ZY	AA		J	Capacitor 0.1 25V Ceramic
C553	VCKYCZ1HB102KY	AB		J	Capacitor 1000p 50V Ceramic
C554	VCKYCZ1HB102KY	AB		J	Capacitor 1000p 50V Ceramic
C555	RC-KZA237WJZZY	AB		J	Capacitor 10 16V Ceramic
C556	RC-KZA237WJZZY	AB		J	Capacitor 10 16V Ceramic
C557	RC-KZA237WJZZY	AB		J	Capacitor 10 16V Ceramic
C558	RC-KZA237WJZZY	AB		J	Capacitor 10 16V Ceramic
C560	VCKYCY1AB105KY	AB		J	Capacitor 1 10V Ceramic
C561	VCEASY1CN107MY	AD		J	Capacitor 100 16V Electrolytic
C562	VCKYCZ1EB103KY	AA		J	Capacitor 0.01 25V Ceramic
C563	VCKYCY1AB105KY	AB		J	Capacitor 1 10V Ceramic
C565	VCKYCZ1EF104ZY	AA		J	Capacitor 0.1 25V Ceramic
C566	VCKYCZ1EB103KY	AA		J	Capacitor 0.01 25V Ceramic
C567	VCKYCY1AB105KY	AB		J	Capacitor 1 10V Ceramic
C568	RC-KZA237WJZZY	AB		J	Capacitor 10 16V Ceramic
C569	VCKYCY1AB105KY	AB		J	Capacitor 1 10V Ceramic
C570	VCKYCY1AB105KY	AB		J	Capacitor 1 10V Ceramic
C572	VCEASY1CN226MY	AC		J	Capacitor 22 16V Electrolytic
C573	VCCCCZ1HH330JY	AB		J	Capacitor 33p 50V Ceramic
C574	VCCCCZ1HH330JY	AB		J	Capacitor 33p 50V Ceramic
C575	VCCCCZ1HH560JY	AB		J	Capacitor 56p 50V Ceramic
C576	VCKYCZ1HB102KY	AB		J	Capacitor 1000p 50V Ceramic
C577	VCKYCY1AB105KY	AB		J	Capacitor 1 10V Ceramic
C578	VCCCCZ1HH560JY	AB		J	Capacitor 56p 50V Ceramic
C579	VCKYCY1AB105KY	AB		J	Capacitor 1 10V Ceramic
C580	VCKYCZ1HB102KY	AB		J	Capacitor 1000p 50V Ceramic

NO.	PARTS CODE	PRICE RANK	NEW MARK	PART DELIVERY	DESCRIPTION
[4] DUNTKE685FM24/39 (MAIN Unit)					
C581	VCKYCY1AB105KY	AB		J	Capacitor 1 10V Ceramic
C582	VCKYCY1AB105KY	AB		J	Capacitor 1 10V Ceramic
C583	VCKYCY1AB105KY	AB		J	Capacitor 1 10V Ceramic
C584	RC-KZA154WJZZY	AB		J	Capacitor 4.7 16V Ceramic
C585	VGCCZ1HH101JY	AB		J	Capacitor 100p 50V Ceramic
C586	VCKYCY1AB105KY	AB		J	Capacitor 1 10V Ceramic
C587	RC-KZA154WJZZY	AB		J	Capacitor 4.7 16V Ceramic
C588	VGCCZ1HH101JY	AB		J	Capacitor 100p 50V Ceramic
C589	VCKYCY1HB472KY	AA		J	Capacitor 4700p 50V Ceramic
C590	VCKYCY1EF104ZY	AA		J	Capacitor 0.1 25V Ceramic
C591	VCKYCY1HB472KY	AA		J	Capacitor 4700p 50V Ceramic
C592	RC-KZA237WJZZY	AB		J	Capacitor 10 16V Ceramic
C593	RC-KZA237WJZZY	AB		J	Capacitor 10 16V Ceramic
C594	VCKYCY1HB102KY	AB		J	Capacitor 1000p 50V Ceramic
C595	VCKYCY1EF104ZY	AA		J	Capacitor 0.1 25V Ceramic
C596	RC-KZA237WJZZY	AB		J	Capacitor 10 16V Ceramic
C597	RC-KZA237WJZZY	AB		J	Capacitor 10 16V Ceramic
C598	VCKYCY1AB105KY	AB		J	Capacitor 1 10V Ceramic
C599	VCKYCY1AB105KY	AB		J	Capacitor 1 10V Ceramic
C600	VCKYCY1AB105KY	AB		J	Capacitor 1 10V Ceramic
C601	VCKYCY1AB105KY	AB		J	Capacitor 1 10V Ceramic
C611	VCKYCY1AB105KY	AB		J	Capacitor 1 10V Ceramic
C613	VRS-CZ1JF000JY	AA		J	Resistor 0 1/16W Metal Oxide
C615	VGCCZ1HH330JY	AB		J	Capacitor 33p 50V Ceramic
C1301	VCKYCY1AB105KY	AB		J	Capacitor 1 10V Ceramic
C1302	VCKYCY1AB105KY	AB		J	Capacitor 1 10V Ceramic
C1303	VCEASY1CN107MY	AC		J	Capacitor 100 16V Electrolytic
C1304	VCKYCY1CF104ZY	AA		J	Capacitor 0.1 16V Ceramic
C1305	VCKYCY1CF104ZY	AA		J	Capacitor 0.1 16V Ceramic
C1306	VCKYCY1CF104ZY	AA		J	Capacitor 0.1 16V Ceramic
C1307	VCEASY0JN337MY	AC		J	Capacitor 330 6.3V Electrolytic
C1308	VCKYCY1EF104ZY	AA		J	Capacitor 0.1 25V Ceramic
C1309	VGERMZ1CN107MY	AD		J	Capacitor 100 16V Electrolytic
C1310	VCKYCY1HB221KY	AA		J	Capacitor 220p 50V Ceramic
C1311	VCKYCY1CF104ZY	AA		J	Capacitor 0.1 16V Ceramic
C1312	VCKYCY1CF104ZY	AA		J	Capacitor 0.1 16V Ceramic
C1313	VCKYCY1HB221KY	AA		J	Capacitor 220p 50V Ceramic
C1314	VGCCZ1HH120JY	AB		J	Capacitor 12p 50V Ceramic
C1315	VCKYCY1CF104ZY	AA		J	Capacitor 0.1 16V Ceramic
C1316	VCKYCY1AB105KY	AB		J	Capacitor 1 10V Ceramic
C1317	VGCCZ1HH180JY	AB		J	Capacitor 18p 50V Ceramic
C1318	VCKYCY1AB105KY	AB		J	Capacitor 1 10V Ceramic
C1319	RC-KZA510WJJPZY	AB		J	Capacitor 10 16V Ceramic
C1320	VCEASY1CN107MY	AC		J	Capacitor 100 16V Electrolytic
C1321	VCKYCY1HB102KY	AB		J	Capacitor 1000p 50V Ceramic
C1322	RC-KZA510WJJPZY	AB		J	Capacitor 10 16V Ceramic
C1323	VCKYCY1AB105KY	AB		J	Capacitor 1 10V Ceramic
C1324	VCKYCY1HB102KY	AB		J	Capacitor 1000p 50V Ceramic
C1325	VCKYCY1CF104ZY	AA		J	Capacitor 0.1 16V Ceramic
C1326	VCKYCY1AB105KY	AB		J	Capacitor 1 10V Ceramic
C1327	VCKYCY1AB105KY	AB		J	Capacitor 1 10V Ceramic
C1328	VCKYCY1AB105KY	AB		J	Capacitor 1 10V Ceramic
C1329	RC-KZA237WJZZY	AB		J	Capacitor 10 16V Ceramic
C1330	VCKYCY1AB333KY	AB		J	Capacitor 0.033 10V Ceramic
C1331	VCKYCY1AB333KY	AB		J	Capacitor 0.033 10V Ceramic
C1332	VCKYCY1CF104ZY	AA		J	Capacitor 0.1 16V Ceramic
C1333	VCKYCY1CF104ZY	AA		J	Capacitor 0.1 16V Ceramic
C1334	VCKYCY1AB105KY	AB		J	Capacitor 1 10V Ceramic
C1335	VCKYCY1CF104ZY	AA		J	Capacitor 0.1 16V Ceramic
C1336	VCKYCY1AB105KY	AB		J	Capacitor 1 10V Ceramic
C1337	VCKYCY1CF104ZY	AA		J	Capacitor 0.1 16V Ceramic
C1338	RC-KZA211WJZZY	AB		J	Capacitor 2.2 25V Ceramic
C1339	VCKYCY1CF104ZY	AA		J	Capacitor 0.1 16V Ceramic
C1340	VCKYCY1HB472KY	AA		J	Capacitor 4700p 50V Ceramic
C1341	VCKYCY1CF104ZY	AA		J	Capacitor 0.1 16V Ceramic
C1342	VCKYCY1CF104ZY	AA		J	Capacitor 0.1 16V Ceramic
C1343	VCKYCY1HB681KY	AB		J	Capacitor 680p 50V Ceramic
C1344	VCKYCY1EF104ZY	AA		J	Capacitor 0.1 25V Ceramic
C1345	VCKYCY1EF104ZY	AA		J	Capacitor 0.1 25V Ceramic
C1346	VCKYCY1EF104ZY	AA		J	Capacitor 0.1 25V Ceramic
C1347	VCKYCY1EF104ZY	AA		J	Capacitor 0.1 25V Ceramic
C1348	VCEASY1EN477MY	AE		J	Capacitor 470 25V Electrolytic
C1349	VCKYCY1HB104KY	AA		J	Capacitor 0.1 50V Ceramic
C1350	VCKYTV1EB224KY	AA		J	Capacitor 0.22 25V Ceramic
C1351	VCEASX1CN226MY	AC		J	Capacitor 22 16V Electrolytic
C1352	VCEASX1CN226MY	AC		J	Capacitor 22 16V Electrolytic
C1353	VGCCZ1HH331JY	AA		J	Capacitor 330p 50V Ceramic
C1354	RC-KZA510WJJPZY	AB		J	Capacitor 10 16V Ceramic
C1355	VGCCZ1HH331JY	AA		J	Capacitor 330p 50V Ceramic
C1356	VCKYCY1HB104KY	AA		J	Capacitor 0.1 50V Ceramic
C1357	VCKYTV1EB224KY	AA		J	Capacitor 0.22 25V Ceramic
C1358	VCKYCY1HB104KY	AA		J	Capacitor 0.1 50V Ceramic
C1359	VCKYTV1EB224KY	AA		J	Capacitor 0.22 25V Ceramic
C1360	VGCCZ1HH470JY	AB		J	Capacitor 47p 50V Ceramic
C1361	VCKYTV1EB474KY	AC		J	Capacitor 0.47 25V Ceramic

LC-42DH77E/RU/S/V, LC-46DH77E/RU/S/V

NO.	PARTS CODE	PRICE RANK	NEW MARK	PART DELIVERY	DESCRIPTION
[4] DUNTKE685FM24/39 (MAIN Unit)					
C1362	VCKYCY1HB104KY	AA		J	Capacitor 0.1 50V Ceramic
C1363	VCKYTV1EB224KY	AA		J	Capacitor 0.22 25V Ceramic
C1364	VCCCCZ1HH470JY	AB		J	Capacitor 47p 50V Ceramic
C1365	VCCCCZ1HH330JY	AB		J	Capacitor 33p 50V Ceramic
C1366	VCKYTV1EB474KY	AC		J	Capacitor 0.47 25V Ceramic
C1367	VCCCCZ1HH330JY	AB		J	Capacitor 33p 50V Ceramic
C1368	VCCCCZ1HH102JY	AA		J	Capacitor 1000p 50V Ceramic
C1369	VCKYCZ1CF104ZY	AA		J	Capacitor 0.1 16V Ceramic
C1370	VCCCCZ1HH102JY	AA		J	Capacitor 1000p 50V Ceramic
C1371	VCCCCZ1HH102JY	AA		J	Capacitor 1000p 50V Ceramic
C1372	VCCCCZ1HH102JY	AA		J	Capacitor 1000p 50V Ceramic
C1373	VCKYCY1AB105KY	AB		J	Capacitor 1 10V Ceramic
C1374	VCKYCY1AB105KY	AB		J	Capacitor 1 10V Ceramic
C1375	VCKYCY1HB102KY	AA		J	Capacitor 1000p 50V Ceramic
C1376	VCCCCZ1HH102JY	AA		J	Capacitor 1000p 50V Ceramic
C1377	VCCCCZ1HH102JY	AA		J	Capacitor 1000p 50V Ceramic
C1378	VCKYCY1HB102KY	AA		J	Capacitor 1000p 50V Ceramic
C1379	VCKYCY1HB102KY	AA		J	Capacitor 1000p 50V Ceramic
C1380	VCKYCY1HB102KY	AA		J	Capacitor 1000p 50V Ceramic
C1381	VCKYCZ1EF104ZY	AA		J	Capacitor 0.1 25V Ceramic
C1382	VCCCCZ1HH102JY	AA		J	Capacitor 1000p 50V Ceramic
C1383	VCCCCZ1HH102JY	AA		J	Capacitor 1000p 50V Ceramic
C1384	VCKYCZ1AB333KY	AB		J	Capacitor 0.033 10V Ceramic
C1385	VCKYCZ1AB333KY	AB		J	Capacitor 0.033 10V Ceramic
C1386	VCKYCZ1EB103KY	AA		J	Capacitor 0.01 25V Ceramic
C1387	VCKYCZ1EB103KY	AA		J	Capacitor 0.01 25V Ceramic
C1391	RC-KZA510WJPZY	AB		J	Capacitor 10 16V Ceramic
C1502	VCKYCZ1CF104ZY	AA		J	Capacitor 0.1 16V Ceramic
C1506	VCKYCZ1CF104ZY	AA		J	Capacitor 0.1 16V Ceramic
C1509	VCKYCZ1HB102KY	AB		J	Capacitor 1000p 50V Ceramic
C1538	VCKYCZ1CF104ZY	AA		J	Capacitor 0.1 16V Ceramic
C1540	VCAAPE0J227MY	AE		J	Capacitor 220 6.3V Electrolytic
C1543	VCKYCZ1CF104ZY	AA		J	Capacitor 0.1 16V Ceramic
C1544	VCKYCZ1HB102KY	AB		J	Capacitor 1000p 50V Ceramic
C1547	VCKYCZ1CF104ZY	AA		J	Capacitor 0.1 16V Ceramic
C1548	VCKYCZ1HB102KY	AB		J	Capacitor 1000p 50V Ceramic
C1552	RC-KZA195WJZZY	AB		J	Capacitor 10 10V Ceramic
C1553	VCKYCZ1CF104ZY	AA		J	Capacitor 0.1 16V Ceramic
C1554	VCKYCZ1CF104ZY	AA		J	Capacitor 0.1 16V Ceramic
C1582	VCKYCZ1CF104ZY	AA		J	Capacitor 0.1 16V Ceramic
C1583	VCKYCZ1HB102KY	AB		J	Capacitor 1000p 50V Ceramic
C1596	VCKYCZ1CF104ZY	AA		J	Capacitor 0.1 16V Ceramic
C1599	VCKYCZ1HB102KY	AB		J	Capacitor 1000p 50V Ceramic
C1801	VCKYCZ1HB222KY	AB		J	Capacitor 2200p 50V Ceramic
C1802	RC-KZA114WJZZY	AB		J	Capacitor 1 25V Ceramic
C1813	RC-KZA114WJZZY	AB		J	Capacitor 1 25V Ceramic
C1816	RC-KZA067WJZZY	AB		J	Capacitor 4.7 10V Ceramic
C2001	VCKYCZ1CF104ZY	AA		J	Capacitor 0.1 16V Ceramic
C2002	VCKYCZ1CF104ZY	AA		J	Capacitor 0.1 16V Ceramic
C2005	VCKYCZ1HB152KY	AB		J	Capacitor 1500p 50V Ceramic
C2006	VCKYCZ1EB103KY	AA		J	Capacitor 0.01 25V Ceramic
C2007	RC-KZA195WJZZY	AB		J	Capacitor 10 10V Ceramic
C2009	VCKYCZ1CF104ZY	AA		J	Capacitor 0.1 16V Ceramic
C2013	VCKYCZ1CF104ZY	AA		J	Capacitor 0.1 16V Ceramic
C2014	VCCCCZ1HH220JY	AB		J	Capacitor 22p 50V Ceramic
C2015	VCKYCZ1CF104ZY	AA		J	Capacitor 0.1 16V Ceramic
C2016	VCCCCZ1HH220JY	AB		J	Capacitor 22p 50V Ceramic
C2017	VCKYCZ1CF104ZY	AA		J	Capacitor 0.1 16V Ceramic
C2022	VCKYCZ1HB102KY	AB		J	Capacitor 1000p 50V Ceramic
C2023	VCKYCZ1CF104ZY	AA		J	Capacitor 0.1 16V Ceramic
C2026	VCCCCZ1HH101JY	AB		J	Capacitor 100p 50V Ceramic
C2028	VCKYCZ1CF104ZY	AA		J	Capacitor 0.1 16V Ceramic
C2030	VCCCCZ1HH101JY	AB		J	Capacitor 100p 50V Ceramic
C2034	VCCCCZ1HH101JY	AB		J	Capacitor 100p 50V Ceramic
C2035	VCCCCZ1HH101JY	AB		J	Capacitor 100p 50V Ceramic
C2036	VCCCCZ1HH101JY	AB		J	Capacitor 100p 50V Ceramic
C2401	VCKYCZ1CF104ZY	AA		J	Capacitor 0.1 16V Ceramic
C2402	VCKYCZ1CF104ZY	AA		J	Capacitor 0.1 16V Ceramic
C2403	RC-KZA195WJZZY	AB		J	Capacitor 10 10V Ceramic
C2404	VCKYCZ1CF104ZY	AA		J	Capacitor 0.1 16V Ceramic
C2405	VCKYCZ1CF104ZY	AA		J	Capacitor 0.1 16V Ceramic
C2406	VCKYCZ1CF104ZY	AA		J	Capacitor 0.1 16V Ceramic
C2407	VCKYCZ1CF104ZY	AA		J	Capacitor 0.1 16V Ceramic
C2408	VCKYCZ1CF104ZY	AA		J	Capacitor 0.1 16V Ceramic
C2410	VCKYCZ1CF104ZY	AA		J	Capacitor 0.1 16V Ceramic
C2601	VCCCCZ1HH101JY	AB		J	Capacitor 100p 50V Ceramic
C2605	VCCCCZ1HH101JY	AB		J	Capacitor 100p 50V Ceramic
C2606	VCCCCZ1HH101JY	AB		J	Capacitor 100p 50V Ceramic
C2608	VCCCCZ1HH101JY	AB		J	Capacitor 100p 50V Ceramic
C4404	VCKYCZ1CF104ZY	AA		J	Capacitor 0.1 16V Ceramic
C4405	VCKYCZ1CF104ZY	AA		J	Capacitor 0.1 16V Ceramic
C4406	VCKYCZ1CF104ZY	AA		J	Capacitor 0.1 16V Ceramic
C4407	VCKYCZ1CF104ZY	AA		J	Capacitor 0.1 16V Ceramic
C4410	VCKYCZ1CF104ZY	AA		J	Capacitor 0.1 16V Ceramic
C4415	VCKYCZ1CF104ZY	AA		J	Capacitor 0.1 16V Ceramic

NO.	PARTS CODE	PRICE RANK	NEW MARK	PART DELIVERY	DESCRIPTION
[4] DUNTKE685FM24/39 (MAIN Unit)					
C4416	VCKYCZ1CF104ZY	AA		J	Capacitor 0.1 16V Ceramic
C4420	VCAAPE1CJ686MY	AE		J	Capacitor 68 16V Electrolytic
C5001	RC-KZA510WJPZY	AB		J	Capacitor 10 16V Ceramic
C5002	VCKYCZ1CF104ZY	AA		J	Capacitor 0.1 16V Ceramic
C5003	RC-KZA576WJQZY	AB		J	Capacitor 0.22 6.3V Ceramic
C5004	VCCCCZ1HH101JY	AB		J	Capacitor 100p 50V Ceramic
C5005	VCKYCZ1CF104ZY	AA		J	Capacitor 0.1 16V Ceramic
C5006	RC-KZA510WJPZY	AB		J	Capacitor 10 16V Ceramic
C5007	RC-KZA510WJPZY	AB		J	Capacitor 10 16V Ceramic
C5008	VCCCCZ1HH101JY	AB		J	Capacitor 100p 50V Ceramic
C5009	RC-KZA510WJPZY	AB		J	Capacitor 10 16V Ceramic
C5010	RC-KZA576WJQZY	AB		J	Capacitor 0.22 6.3V Ceramic
C5011	RC-KZA510WJPZY	AB		J	Capacitor 10 16V Ceramic
C5012	VCKYCZ1CF104ZY	AA		J	Capacitor 0.1 16V Ceramic
C5013	VCKYCZ1CF104ZY	AA		J	Capacitor 0.1 16V Ceramic
C5014	RC-KZA576WJQZY	AB		J	Capacitor 0.22 6.3V Ceramic
C5015	VCCCCZ1HH101JY	AB		J	Capacitor 100p 50V Ceramic
C5016	VCKYCZ1CF104ZY	AA		J	Capacitor 0.1 16V Ceramic
C5017	RC-KZA510WJPZY	AB		J	Capacitor 10 16V Ceramic
C5018	VCKYCZ1CF104ZY	AA		J	Capacitor 0.1 16V Ceramic
C5019	VCKYCZ1CF104ZY	AA		J	Capacitor 0.1 16V Ceramic
C5020	VCKYCZ1CF104ZY	AA		J	Capacitor 0.1 16V Ceramic
C5021	VCCCCZ1HH101JY	AB		J	Capacitor 100p 50V Ceramic
C5022	VCKYCZ1CF104ZY	AA		J	Capacitor 0.1 16V Ceramic
C5023	RC-KZA510WJPZY	AB		J	Capacitor 10 16V Ceramic
C5025	RC-KZA576WJQZY	AB		J	Capacitor 0.22 6.3V Ceramic
C5026	RC-KZA576WJQZY	AB		J	Capacitor 0.22 6.3V Ceramic
C5027	RC-KZA510WJPZY	AB		J	Capacitor 10 16V Ceramic
C5028	VCCCCZ1HH101JY	AB		J	Capacitor 100p 50V Ceramic
C5029	VCKYCZ1CF104ZY	AA		J	Capacitor 0.1 16V Ceramic
C5031	RC-KZA510WJPZY	AB		J	Capacitor 10 16V Ceramic
C5033	RC-KZA576WJQZY	AB		J	Capacitor 0.22 6.3V Ceramic
C5034	RC-KZA576WJQZY	AB		J	Capacitor 0.22 6.3V Ceramic
C5035	RC-KZA510WJPZY	AB		J	Capacitor 10 16V Ceramic
C5036	RC-KZA510WJPZY	AB		J	Capacitor 10 16V Ceramic
C5038	VCKYCZ1CF104ZY	AA		J	Capacitor 0.1 16V Ceramic
C5039	VCCCCZ1HH101JY	AB		J	Capacitor 100p 50V Ceramic
C5043	VCKYCZ1CF104ZY	AA		J	Capacitor 0.1 16V Ceramic
C5044	RC-KZA576WJQZY	AB		J	Capacitor 0.22 6.3V Ceramic
C5045	VCCCCZ1HH101JY	AB		J	Capacitor 100p 50V Ceramic
C5046	VCKYCZ1CF104ZY	AA		J	Capacitor 0.1 16V Ceramic
C5047	RC-KZA510WJPZY	AB		J	Capacitor 10 16V Ceramic
C5048	VCCCCZ1HH101JY	AB		J	Capacitor 100p 50V Ceramic
C5049	VCKYCZ1CF104ZY	AA		J	Capacitor 0.1 16V Ceramic
C5050	VCCCCZ1HH101JY	AB		J	Capacitor 100p 50V Ceramic
C5051	VCKYCZ1CF104ZY	AA		J	Capacitor 0.1 16V Ceramic
C5052	VCKYCZ1CF104ZY	AA		J	Capacitor 0.1 16V Ceramic
C5056	VCCCCZ1HH101JY	AB		J	Capacitor 100p 50V Ceramic
C5057	VCCCCZ1HH101JY	AB		J	Capacitor 100p 50V Ceramic
C5058	RC-KZA510WJPZY	AB		J	Capacitor 10 16V Ceramic
C5059	VCCCCZ1HH101JY	AB		J	Capacitor 100p 50V Ceramic
C5060	VCCCCZ1HH101JY	AB		J	Capacitor 100p 50V Ceramic
C5061	VCKYCZ1CF104ZY	AA		J	Capacitor 0.1 16V Ceramic
C5062	VCKYCZ1CF104ZY	AA		J	Capacitor 0.1 16V Ceramic
C5063	VCKYCZ1CF104ZY	AA		J	Capacitor 0.1 16V Ceramic
C5064	VCKYCZ1CF104ZY	AA		J	Capacitor 0.1 16V Ceramic
C5065	VCCCCZ1HH101JY	AB		J	Capacitor 100p 50V Ceramic
C5066	VCKYCZ1CF104ZY	AA		J	Capacitor 0.1 16V Ceramic
C5067	VCKYCZ1CF104ZY	AA		J	Capacitor 0.1 16V Ceramic
C5068	VCCCCZ1HH101JY	AB		J	Capacitor 100p 50V Ceramic
C5069	VCKYCZ1CF104ZY	AA		J	Capacitor 0.1 16V Ceramic
C5070	VCCCCZ1HH101JY	AB		J	Capacitor 100p 50V Ceramic
C5071	VCKYCZ1CF104ZY	AA		J	Capacitor 0.1 16V Ceramic
C5072	VCCCCZ1HH101JY	AB		J	Capacitor 100p 50V Ceramic
C5073	VCCCCZ1HH101JY	AB		J	Capacitor 100p 50V Ceramic
C5074	VCCCCZ1HH101JY	AB		J	Capacitor 100p 50V Ceramic
C5075	VCCCCZ1HH101JY	AB		J	Capacitor 100p 50V Ceramic
C5076	VCKYCZ1CF104ZY	AA		J	Capacitor 0.1 16V Ceramic
C5077	VCKYCZ1CF104ZY	AA		J	Capacitor 0.1 16V Ceramic
C5078	VCKYCZ1CF104ZY	AA		J	Capacitor 0.1 16V Ceramic
C5079	VCKYCZ1CF104ZY	AA		J	Capacitor 0.1 16V Ceramic
C5080	VCAAPE0JJ107MY	AE		J	Capacitor 100 6.3V Electrolytic
C5081	VCAAPE0JJ107MY	AE		J	Capacitor 100 6.3V Electrolytic
C5082	VCKYCZ1CF104ZY	AA		J	Capacitor 0.1 16V Ceramic
C5085	VCKYCZ1CF104ZY	AA		J	Capacitor 0.1 16V Ceramic
C5086	VCKYCZ1CF104ZY	AA		J	Capacitor 0.1 16V Ceramic
C5087	VCKYCZ1CF104ZY	AA		J	Capacitor 0.1 16V Ceramic
C5088	VCCCCZ1HH101JY	AB		J	Capacitor 100p 50V Ceramic
C5089	VCAAPE0JJ227MY	AE		J	Capacitor 220 6.3V Electrolytic
C5090	RC-KZA576WJQZY	AB		J	Capacitor 0.22 6.3V Ceramic
C5091	RC-KZA576WJQZY	AB		J	Capacitor 0.22 6.3V Ceramic
C5201	VCAAPE0JJ107MY	AE		J	Capacitor 100 6.3V Electrolytic
C5202	VCKYCZ1AB104KY	AB		J	Capacitor 0.1 10V Ceramic
C5203	VCKYCZ1AB104KY	AB		J	Capacitor 0.1 10V Ceramic
C5204	RC-KZA576WJQZY	AB		J	Capacitor 0.22 6.3V Ceramic

LC-42DH77E/RU/S/V, LC-46DH77E/RU/S/V

NO.	PARTS CODE	PRICE RANK	NEW MARK	PART DELIVERY	DESCRIPTION
[4] DUNTKE685FM24/39 (MAIN Unit)					
C5205	RC-KZA576WJQZY	AB		J	Capacitor 0.22 6.3V Ceramic
C5206	RC-KZA576WJQZY	AB		J	Capacitor 0.22 6.3V Ceramic
C5207	RC-KZA576WJQZY	AB		J	Capacitor 0.22 6.3V Ceramic
C5208	RC-KZA576WJQZY	AB		J	Capacitor 0.22 6.3V Ceramic
C5209	RC-KZA576WJQZY	AB		J	Capacitor 0.22 6.3V Ceramic
C5210	RC-KZA176WJZZY	AC		J	Capacitor 10 10V Ceramic
C5211	RC-KZA576WJQZY	AB		J	Capacitor 0.22 6.3V Ceramic
C5212	RC-KZA576WJQZY	AB		J	Capacitor 0.22 6.3V Ceramic
C5213	RC-KZA176WJZZY	AC		J	Capacitor 10 10V Ceramic
C5214	RC-KZA576WJQZY	AB		J	Capacitor 0.22 6.3V Ceramic
C5215	RC-KZA576WJQZY	AB		J	Capacitor 0.22 6.3V Ceramic
C5216	RC-KZA576WJQZY	AB		J	Capacitor 0.22 6.3V Ceramic
C5217	VCKYCZ1AB104KY	AB		J	Capacitor 0.1 10V Ceramic
C5218	VCKYCZ1AB104KY	AB		J	Capacitor 0.1 10V Ceramic
C5219	VCAAPE0JJ107MY	AE		J	Capacitor 100 6.3V Electrolytic
C5220	VCKYCZ1EB103KY	AA		J	Capacitor 0.01 25V Ceramic
C5221	VCKYCZ1AB104KY	AB		J	Capacitor 0.1 10V Ceramic
C5222	VCKYCZ1AB104KY	AB		J	Capacitor 0.1 10V Ceramic
C5223	RC-KZA576WJQZY	AB		J	Capacitor 0.22 6.3V Ceramic
C5224	RC-KZA576WJQZY	AB		J	Capacitor 0.22 6.3V Ceramic
C5225	RC-KZA176WJZZY	AC		J	Capacitor 10 10V Ceramic
C5226	RC-KZA576WJQZY	AB		J	Capacitor 0.22 6.3V Ceramic
C5227	RC-KZA176WJZZY	AC		J	Capacitor 10 10V Ceramic
C5228	RC-KZA176WJZZY	AC		J	Capacitor 10 10V Ceramic
C5229	RC-KZA576WJQZY	AB		J	Capacitor 0.22 6.3V Ceramic
C5230	RC-KZA576WJQZY	AB		J	Capacitor 0.22 6.3V Ceramic
C5231	RC-KZA576WJQZY	AB		J	Capacitor 0.22 6.3V Ceramic
C5232	RC-KZA576WJQZY	AB		J	Capacitor 0.22 6.3V Ceramic
C5233	RC-KZA576WJQZY	AB		J	Capacitor 0.22 6.3V Ceramic
C5234	VCKYCZ1AB104KY	AB		J	Capacitor 0.1 10V Ceramic
C5235	RC-KZA576WJQZY	AB		J	Capacitor 0.22 6.3V Ceramic
C5236	VCKYCZ1AB104KY	AB		J	Capacitor 0.1 10V Ceramic
C5237	VCKYCZ1EB103KY	AA		J	Capacitor 0.01 25V Ceramic
C5301	VCKYCZ1CF104ZY	AA		J	Capacitor 0.1 16V Ceramic
C5302	VCAAPE0JJ227MY	AE		J	Capacitor 220 6.3V Electrolytic
C5303	VCKYCZ1CF104ZY	AA		J	Capacitor 0.1 16V Ceramic
C5304	VCKYCZ1HB102KY	AB		J	Capacitor 1000p 50V Ceramic
C5305	VCKYCZ1CF104ZY	AA		J	Capacitor 0.1 16V Ceramic
C5306	VCKYCZ1HB102KY	AB		J	Capacitor 1000p 50V Ceramic
C5307	VCKYCZ1CF104ZY	AA		J	Capacitor 0.1 16V Ceramic
C5309	VCKYCZ1HB102KY	AB		J	Capacitor 1000p 50V Ceramic
C5311	VCKYCZ1CF104ZY	AA		J	Capacitor 0.1 16V Ceramic
C5312	VCKYCZ1HB102KY	AB		J	Capacitor 1000p 50V Ceramic
C5314	VCKYCZ1CF104ZY	AA		J	Capacitor 0.1 16V Ceramic
C5315	VCKYCZ1HB102KY	AB		J	Capacitor 1000p 50V Ceramic
C5317	VCKYCZ1CF104ZY	AA		J	Capacitor 0.1 16V Ceramic
C7501	VCEASX1AN336MY	AC		J	Capacitor 33 10V Electrolytic
C7502	VCKYCZ1HB102KY	AB		J	Capacitor 1000p 50V Ceramic
C7508	VCEASX1CN107MY	AC		J	Capacitor 100 16V Electrolytic
C7511	VCKYCZ1EB103KY	AA		J	Capacitor 0.01 25V Ceramic
C7515	VCEASY1CN477MY	AD		J	Capacitor 470 16V Electrolytic
C7516	VCCCCZ1HH101JY	AB		J	Capacitor 100p 50V Ceramic
C7518	RC-KZA510WJPZY	AB		J	Capacitor 10 16V Ceramic
C7520	RC-KZA510WJPZY	AB		J	Capacitor 10 16V Ceramic
C7522	RC-KZA237WJZZY	AB		J	Capacitor 10 16V Ceramic
C7524	RC-KZA237WJZZY	AB		J	Capacitor 10 16V Ceramic
C7525	RC-KZA237WJZZY	AB		J	Capacitor 10 16V Ceramic
C7526	RC-KZA237WJZZY	AB		J	Capacitor 10 16V Ceramic
C7527	VCKYCZ1EF104ZY	AA		J	Capacitor 0.1 25V Ceramic
C7528	VCKYCZ1EF104ZY	AA		J	Capacitor 0.1 25V Ceramic
C7529	VCKYCZ1EF104ZY	AA		J	Capacitor 0.1 25V Ceramic
C7530	VCKYCZ1EF104ZY	AA		J	Capacitor 0.1 25V Ceramic
C7531	VCKYCZ1EF104ZY	AA		J	Capacitor 0.1 25V Ceramic
C7532	VCKYCZ1EF104ZY	AA		J	Capacitor 0.1 25V Ceramic
C7533	VCKYCZ1HB102KY	AB		J	Capacitor 1000p 50V Ceramic
C7534	VCKYCZ1HB102KY	AB		J	Capacitor 1000p 50V Ceramic
C7536	VCKYCZ1EF104ZY	AA		J	Capacitor 0.1 25V Ceramic
C7538	RC-KZA237WJZZY	AB		J	Capacitor 10 16V Ceramic
C7539	VCKYCZ1AB273KY	AB		J	Capacitor 0.027 10V Ceramic
C7540	VCKYCZ1EF104ZY	AA		J	Capacitor 0.1 25V Ceramic
C7541	VCKYCZ1EF104ZY	AA		J	Capacitor 0.1 25V Ceramic
C7542	VCKYCZ1EF104ZY	AA		J	Capacitor 0.1 25V Ceramic
C7543	VCCCCZ1HH180JY	AB		J	Capacitor 18p 50V Ceramic
C7544	VCCCCZ1HH180JY	AB		J	Capacitor 18p 50V Ceramic
C7545	VCEASX1CN107MY	AC		J	Capacitor 100 16V Electrolytic
C7546	VCKYCZ1EF104ZY	AA		J	Capacitor 0.1 25V Ceramic
C7547	VCKYCZ1EF104ZY	AA		J	Capacitor 0.1 25V Ceramic
C7548	VCKYCZ1EB103KY	AA		J	Capacitor 0.01 25V Ceramic
C7549	VCCCCZ1HH220JY	AB		J	Capacitor 22p 50V Ceramic
C7550	VCCCCZ1HH220JY	AB		J	Capacitor 22p 50V Ceramic
C8101	VCKYCZ1AB104KY	AB		J	Capacitor 0.1 10V Ceramic
C8102	RC-KZA067WJZZY	AB		J	Capacitor 4.7 10V Ceramic
C8103	VCKYCZ1AB104KY	AB		J	Capacitor 0.1 10V Ceramic
C8104	VCKYCZ1AB104KY	AB		J	Capacitor 0.1 10V Ceramic
C8105	VCKYCZ1CF104ZY	AA		J	Capacitor 0.1 16V Ceramic

NO.	PARTS CODE	PRICE RANK	NEW MARK	PART DELIVERY	DESCRIPTION
[4] DUNTKE685FM24/39 (MAIN Unit)					
C8106	RC-KZA237WJZZY	AB		J	Capacitor 10 16V Ceramic
C8107	VCKYCZ1AB104KY	AB		J	Capacitor 0.1 10V Ceramic
C8108	VCKYCZ1AB104KY	AB		J	Capacitor 0.1 10V Ceramic
C8109	VCKYCZ1EF104ZY	AA		J	Capacitor 0.1 25V Ceramic
C8110	VCKYCZ1AB104KY	AB		J	Capacitor 0.1 10V Ceramic
C8114	VCKYCZ1AB104KY	AB		J	Capacitor 0.1 10V Ceramic
C8115	VCKYCZ1AB104KY	AB		J	Capacitor 0.1 10V Ceramic
C8116	VCKYCZ1CF104ZY	AA		J	Capacitor 0.1 16V Ceramic
C8117	VCKYCZ1CF104ZY	AA		J	Capacitor 0.1 16V Ceramic
C8118	RC-KZA195WJZZY	AB		J	Capacitor 10 10V Ceramic
C8119	RC-KZA195WJZZY	AB		J	Capacitor 10 10V Ceramic
C8120	VCKYCZ1CF104ZY	AA		J	Capacitor 0.1 16V Ceramic
C8121	VCKYCZ1CF104ZY	AA		J	Capacitor 0.1 16V Ceramic
C8125	RC-KZA195WJZZY	AB		J	Capacitor 10 10V Ceramic
C8126	RC-KZA195WJZZY	AB		J	Capacitor 10 10V Ceramic
C8134	VCKYCZ1CF104ZY	AA		J	Capacitor 0.1 16V Ceramic
C8138	RC-KZA195WJZZY	AB		J	Capacitor 10 10V Ceramic
C8141	VCKYCZ1CF104ZY	AA		J	Capacitor 0.1 16V Ceramic
C8142	VCKYCZ1CF104ZY	AA		J	Capacitor 0.1 16V Ceramic
C8143	RC-KZA195WJZZY	AB		J	Capacitor 10 10V Ceramic
C8147	RC-KZA195WJZZY	AB		J	Capacitor 10 10V Ceramic
C8150	VCKYCZ1CF104ZY	AA		J	Capacitor 0.1 16V Ceramic
C8151	VCKYCZ1CF104ZY	AA		J	Capacitor 0.1 16V Ceramic
C8153	RC-KZA195WJZZY	AB		J	Capacitor 10 10V Ceramic
C8156	RC-KZA195WJZZY	AB		J	Capacitor 10 10V Ceramic
C8159	VCKYCZ1CF104ZY	AA		J	Capacitor 0.1 16V Ceramic
C8161	VCCCCZ1HH3R0CY	AA		J	Capacitor 3p 50V Ceramic
C8162	VCCCCZ1HH3R0CY	AA		J	Capacitor 3p 50V Ceramic
C8168	VCKYCZ1HB272KY	AA		J	Capacitor 2700p 50V Ceramic
C8169	RC-KZA195WJZZY	AB		J	Capacitor 10 10V Ceramic
C8170	RC-KZA195WJZZY	AB		J	Capacitor 10 10V Ceramic
C8173	VCKYCZ1CF104ZY	AA		J	Capacitor 0.1 16V Ceramic
C8175	VCKYCZ1CF104ZY	AA		J	Capacitor 0.1 16V Ceramic
C8178	RC-KZA195WJZZY	AB		J	Capacitor 10 10V Ceramic
C8179	VCKYCZ1CF104ZY	AA		J	Capacitor 0.1 16V Ceramic
C8180	VCKYCZ1CF104ZY	AA		J	Capacitor 0.1 16V Ceramic
C8182	RC-KZA195WJZZY	AB		J	Capacitor 10 10V Ceramic
C8183	VCKYCZ1CF104ZY	AA		J	Capacitor 0.1 16V Ceramic
C8184	VCAAPE0JJ107MY	AE		J	Capacitor 100 6.3V Electrolytic
C8185	VCKYCZ1CF104ZY	AA		J	Capacitor 0.1 16V Ceramic
C8186	RC-KZA195WJZZY	AB		J	Capacitor 10 10V Ceramic
C8187	RC-KZA195WJZZY	AB		J	Capacitor 10 10V Ceramic
C8188	VCKYCZ1CF104ZY	AA		J	Capacitor 0.1 16V Ceramic
C8189	VCKYCZ1CF104ZY	AA		J	Capacitor 0.1 16V Ceramic
C8190	VCKYCZ1CF104ZY	AA		J	Capacitor 0.1 16V Ceramic
C8191	RC-KZA576WJQZY	AB		J	Capacitor 0.22 6.3V Ceramic
C8192	RC-KZA195WJZZY	AB		J	Capacitor 10 10V Ceramic
C8193	RC-KZA195WJZZY	AB		J	Capacitor 10 10V Ceramic
C8194	VCKYCZ1CF104ZY	AA		J	Capacitor 0.1 16V Ceramic
C8195	RC-KZA195WJZZY	AB		J	Capacitor 10 10V Ceramic
C8196	VCKYCZ1CF104ZY	AA		J	Capacitor 0.1 16V Ceramic
C8197	RC-KZA195WJZZY	AB		J	Capacitor 10 10V Ceramic
C8198	VCKYCZ1CF104ZY	AA		J	Capacitor 0.1 16V Ceramic
C8199	VCKYCZ1CF104ZY	AA		J	Capacitor 0.1 16V Ceramic
C8200	RC-KZA195WJZZY	AB		J	Capacitor 10 10V Ceramic
C8201	VCKYCZ1CF104ZY	AA		J	Capacitor 0.1 16V Ceramic
C8203	VCKYCZ1CF104ZY	AA		J	Capacitor 0.1 16V Ceramic
C8204	VCKYCZ1CF104ZY	AA		J	Capacitor 0.1 16V Ceramic
C8205	VCKYCZ1CF104ZY	AA		J	Capacitor 0.1 16V Ceramic
C8206	RC-KZA195WJZZY	AB		J	Capacitor 10 10V Ceramic
C8207	VCKYCZ1CF104ZY	AA		J	Capacitor 0.1 16V Ceramic
C8208	VCKYCZ1CF104ZY	AA		J	Capacitor 0.1 16V Ceramic
C8209	VCKYCZ1CF104ZY	AA		J	Capacitor 0.1 16V Ceramic
C8212	VCKYCZ1CF104ZY	AA		J	Capacitor 0.1 16V Ceramic
C8213	VCKYCZ1HB102KY	AB		J	Capacitor 1000p 50V Ceramic
C8214	VCAAPE0JJ107MY	AE		J	Capacitor 100 6.3V Electrolytic
C8215	RC-KZA195WJZZY	AB		J	Capacitor 10 10V Ceramic
C8216	VCKYCZ1AB104KY	AB		J	Capacitor 0.1 10V Ceramic
C8217	VCKYCZ1HB102KY	AB		J	Capacitor 1000p 50V Ceramic
C8218	VCAAPE0JJ107MY	AE		J	Capacitor 100 6.3V Electrolytic
C8219	VCKYCZ1CF104ZY	AA		J	Capacitor 0.1 16V Ceramic
C8220	VCKYCZ1CF104ZY	AA		J	Capacitor 0.1 16V Ceramic
C8221	VCKYCZ1AB104KY	AB		J	Capacitor 0.1 10V Ceramic
C8222	VCKYCZ1AB104KY	AB		J	Capacitor 0.1 10V Ceramic
C8223	VCKYCZ1AB104KY	AB		J	Capacitor 0.1 10V Ceramic
C8301	VCKYCZ1EB103KY	AA		J	Capacitor 0.01 25V Ceramic
C8303	RC-KZA195WJZZY	AB		J	Capacitor 10 10V Ceramic
C8306	VCKYCZ1CF104ZY	AA		J	Capacitor 0.1 16V Ceramic
C8307	VCKYCZ1CF104ZY	AA		J	Capacitor 0.1 16V Ceramic
C8308	VCKYCZ1CF104ZY	AA		J	Capacitor 0.1 16V Ceramic
C8309	RC-KZA576WJQZY	AB		J	Capacitor 0.22 6.3V Ceramic
C8311	RC-KZA576WJQZY	AB		J	Capacitor 0.22 6.3V Ceramic
C8312	RC-KZA576WJQZY	AB		J	Capacitor 0.22 6.3V Ceramic
C8313	RC-KZA576WJQZY	AB		J	Capacitor 0.22 6.3V Ceramic
C8315	RC-KZA195WJZZY	AB		J	Capacitor 10 10V Ceramic

LC-42DH77E/RU/S/V, LC-46DH77E/RU/S/V

NO.	PARTS CODE	PRICE RANK	NEW MARK	PART DELIVERY	DESCRIPTION
[4] DUNTKE685FM24/39 (MAIN Unit)					
C8319	VCKYCZ1CF104ZY	AA		J	Capacitor 0.1 16V Ceramic
C8320	VCKYCZ1CF104ZY	AA		J	Capacitor 0.1 16V Ceramic
C8321	RC-KZA195WJZZY	AB		J	Capacitor 10 10V Ceramic
C8324	VCKYCZ1CF104ZY	AA		J	Capacitor 0.1 16V Ceramic
C8325	VCKYCZ1CF104ZY	AA		J	Capacitor 0.1 16V Ceramic
C8326	RC-KZA576WJQZY	AB		J	Capacitor 0.22 6.3V Ceramic
C8328	RC-KZA576WJQZY	AB		J	Capacitor 0.22 6.3V Ceramic
C8329	RC-KZA576WJQZY	AB		J	Capacitor 0.22 6.3V Ceramic
C8330	RC-KZA576WJQZY	AB		J	Capacitor 0.22 6.3V Ceramic
C8332	RC-KZA195WJZZY	AB		J	Capacitor 10 10V Ceramic
C8336	RC-KZA576WJQZY	AB		J	Capacitor 0.22 6.3V Ceramic
C8337	VCKYCZ1CF104ZY	AA		J	Capacitor 0.1 16V Ceramic
C8338	VCKYCZ1CF104ZY	AA		J	Capacitor 0.1 16V Ceramic
C8339	VCAAPE0J107MY	AE		J	Capacitor 100 6.3V Electrolytic
C8365	VCKYCZ1CF104ZY	AA		J	Capacitor 0.1 16V Ceramic
C8702	VCKYCZ1CF104ZY	AA		J	Capacitor 0.1 16V Ceramic
C8703	VCCCCZ1HH102JY	AA		J	Capacitor 1000p 50V Ceramic
C8709	VCKYCZ1CF104ZY	AA		J	Capacitor 0.1 16V Ceramic
C8715	RC-KZA195WJZZY	AB		J	Capacitor 10 10V Ceramic
C8717	VCCCCZ1HH680JY	AB		J	Capacitor 68p 50V Ceramic
C8718	RC-KZA114WJZZY	AB		J	Capacitor 1 25V Ceramic
C8719	VCCCCZ1HH5R0CY	AA		J	Capacitor 5p 50V Ceramic
C8720	VCCCCZ1HH100DY	AB		J	Capacitor 10p 50V Ceramic
C8721	VCKYCZ1CF104ZY	AA		J	Capacitor 0.1 16V Ceramic
C9101	VCKYCZ1CF104ZY	AA		J	Capacitor 0.1 16V Ceramic
C9104	VCKYCZ1CF104ZY	AA		J	Capacitor 0.1 16V Ceramic
C9105	VCKYCZ1CF104ZY	AA		J	Capacitor 0.1 16V Ceramic
C9106	VCKYCZ1CF104ZY	AA		J	Capacitor 0.1 16V Ceramic
C9107	VCKYCZ1CF104ZY	AA		J	Capacitor 0.1 16V Ceramic
C9108	VCKYCZ1CF104ZY	AA		J	Capacitor 0.1 16V Ceramic
C9110	VCKYCZ1CF104ZY	AA		J	Capacitor 0.1 16V Ceramic
C9112	VCKYCZ1CF104ZY	AA		J	Capacitor 0.1 16V Ceramic
C9113	VCKYCZ1CF104ZY	AA		J	Capacitor 0.1 16V Ceramic
C9304	VCKYCZ1CF104ZY	AA		J	Capacitor 0.1 16V Ceramic
C9606	VCAAPD1DJ476MY	AF		J	Capacitor 47 20V Electrolytic
C9607	RC-KZA237WJZZY	AB		J	Capacitor 10 16V Ceramic
C9608	VCKYCZ1EF104ZY	AA		J	Capacitor 0.1 25V Ceramic
C9609	RC-KZA178WJZZY	AC		J	Capacitor 4.7 25V Ceramic
C9610	VCKYCY1AB154KY	AB		J	Capacitor 0.15 10V Ceramic
C9611	VCCCCZ1HH102JY	AA		J	Capacitor 1000p 50V Ceramic
C9612	VCKYCZ1EF104ZY	AA		J	Capacitor 0.1 25V Ceramic
C9613	VCKYCY1AB154KY	AB		J	Capacitor 0.15 10V Ceramic
C9614	VCCCCZ1HH102JY	AA		J	Capacitor 1000p 50V Ceramic
C9615	RC-KZA237WJZZY	AB		J	Capacitor 10 16V Ceramic
C9616	RC-KZA383WJZZY	AC		J	Capacitor 10 25V Ceramic
C9617	RC-KZA237WJZZY	AB		J	Capacitor 10 16V Ceramic
C9618	RC-KZA383WJZZY	AC		J	Capacitor 10 25V Ceramic
C9619	VCAAPE0J227MY	AE		J	Capacitor 220 6.3V Electrolytic
C9620	VCAAPE0J227MY	AE		J	Capacitor 220 6.3V Electrolytic
C9621	RC-KZA114WJZZY	AB		J	Capacitor 1 25V Ceramic
C9622	RC-KZA383WJZZY	AC		J	Capacitor 10 25V Ceramic
C9624	VCKYCZ1EF104ZY	AA		J	Capacitor 0.1 25V Ceramic
C9625	VCKYTV1CB105KY	AC		J	Capacitor 1 16V Ceramic
C9626	VCKYCZ1EB682KY	AB		J	Capacitor 6800p 25V Ceramic
C9627	VCKYCZ1CF104ZY	AA		J	Capacitor 0.1 16V Ceramic
C9629	VCKYCZ1CB223KY	AC		J	Capacitor 0.022 16V Ceramic
C9631	RC-KZA114WJZZY	AB		J	Capacitor 1 25V Ceramic
C9633	VCKYCZ1EB103KY	AA		J	Capacitor 0.01 25V Ceramic
C9634	VCKYCZ1EB682KY	AB		J	Capacitor 6800p 25V Ceramic
C9636	RC-KZA237WJZZY	AB		J	Capacitor 10 16V Ceramic
C9637	VCKYCZ1EF104ZY	AA		J	Capacitor 0.1 25V Ceramic
C9638	RC-KZA237WJZZY	AB		J	Capacitor 10 16V Ceramic
C9639	RC-KZA195WJZZY	AB		J	Capacitor 10 10V Ceramic
C9641	VCKYCZ1EB682KY	AB		J	Capacitor 6800p 25V Ceramic
C9643	VCKYCZ1CB223KY	AC		J	Capacitor 0.022 16V Ceramic
C9644	VCAAPG1AJ686MY	AE		J	Capacitor 68 10V Electrolytic
C9647	VCKYCZ1CB223KY	AC		J	Capacitor 0.022 16V Ceramic
C9649	RC-KZA195WJZZY	AB		J	Capacitor 10 10V Ceramic
C9650	RC-KZA195WJZZY	AB		J	Capacitor 10 10V Ceramic
C9651	RC-KZA114WJZZY	AB		J	Capacitor 1 25V Ceramic
C9652	RC-KZA195WJZZY	AB		J	Capacitor 10 10V Ceramic
C9653	RC-KZA195WJZZY	AB		J	Capacitor 10 10V Ceramic
C9654	RC-KZA195WJZZY	AB		J	Capacitor 10 10V Ceramic
C9656	RC-KZA195WJZZY	AB		J	Capacitor 10 10V Ceramic
C9657	RC-KZA195WJZZY	AB		J	Capacitor 10 10V Ceramic
C9658	RC-KZA195WJZZY	AB		J	Capacitor 10 10V Ceramic
C9659	RC-KZA195WJZZY	AB		J	Capacitor 10 10V Ceramic
C9664	RC-KZA114WJZZY	AB		J	Capacitor 1 25V Ceramic
C9665	RC-KZA383WJZZY	AC		J	Capacitor 10 25V Ceramic
C9666	VCKYCZ1EF104ZY	AA		J	Capacitor 0.1 25V Ceramic
C9667	VCKYCZ1CB223KY	AC		J	Capacitor 0.022 16V Ceramic
C9668	VCKYCZ1EB682KY	AB		J	Capacitor 6800p 25V Ceramic
C9669	VCKYCZ1EB682KY	AB		J	Capacitor 6800p 25V Ceramic
C9670	RC-KZA195WJZZY	AB		J	Capacitor 10 10V Ceramic
C9672	VCAAPE0J227MY	AE		J	Capacitor 220 6.3V Electrolytic

NO.	PARTS CODE	PRICE RANK	NEW MARK	PART DELIVERY	DESCRIPTION
[4] DUNTKE685FM24/39 (MAIN Unit)					
D501	VHPGPFV51V-1	AG	N	J	Diode GPFSV51V
D502	RH-EXA520WJZZY	AB		J	Zener Diode MAZ8051GML
D503	RH-EXA520WJZZY	AB		J	Zener Diode MAZ8051GML
D504	RH-EXA520WJZZY	AB		J	Zener Diode MAZ8051GML
D505	RH-EXA520WJZZY	AB		J	Zener Diode MAZ8051GML
D506	RH-EXA520WJZZY	AB		J	Zener Diode MAZ8051GML
D507	RH-EXA520WJZZY	AB		J	Zener Diode MAZ8051GML
D508	RH-EXA520WJZZY	AB		J	Zener Diode MAZ8051GML
D510	RH-EXA520WJZZY	AB		J	Zener Diode MAZ8051GML
D511	RH-EXA520WJZZY	AB		J	Zener Diode MAZ8051GML
D512	RH-EXA554WJZZY	AB		J	Zener Diode MAZ8150GML
D514	RH-EXA512WJZZY	AB		J	Zener Diode MAZ8039GHL
D515	RH-EXA520WJZZY	AB		J	Zener Diode MAZ8051GML
D516	RH-EXA512WJZZY	AB		J	Zener Diode MAZ8039GHL
D517	RH-EXA554WJZZY	AB		J	Zener Diode MAZ8150GML
D518	RH-EXA550WJZZY	AB		J	Zener Diode MAZ8130GML
D519	VHD1PS184+-1Y	AB		J	Diode 1PS184,115
D520	RH-EXA535WJZZY	AM		J	Zener Diode MAZ8082GML
D521	RH-EXA535WJZZY	AM		J	Zener Diode MAZ8082GML
D522	RH-EXA535WJZZY	AM		J	Zener Diode MAZ8082GML
D523	RH-EXA535WJZZY	AM		J	Zener Diode MAZ8082GML
D524	VHD1PS184+-1Y	AB		J	Diode 1PS184,115
D525	VHD1PS184+-1Y	AB		J	Diode 1PS184,115
D527	RH-EXA520WJZZY	AB		J	Zener Diode MAZ8051GML
D531	RH-EXA541WJZZY	AB		J	Zener Diode MAZ8100GML
D532	RH-EXA541WJZZY	AB		J	Zener Diode MAZ8100GML
D533	RH-EXA541WJZZY	AB		J	Zener Diode MAZ8100GML
D534	VHD1PS184+-1Y	AB		J	Diode 1PS184,115
D535	RH-EXA550WJZZY	AB		J	Zener Diode MAZ8130GML
D1318	VHD1PS184+-1Y	AB		J	Diode 1PS184,115
D1504	RH-EXA523WJZZY	AB		J	Zener Diode MAZ8056GML
D1506	RH-EXA523WJZZY	AB		J	Zener Diode MAZ8056GML
D1507	RH-EXA523WJZZY	AB		J	Zener Diode MAZ8056GML
D1508	RH-EXA523WJZZY	AB		J	Zener Diode MAZ8056GML
D1509	VHDB520S30-1Y	AC		J	Diode RB520S-30TE61
D1512	VHD1PS184+-1Y	AB		J	Diode 1PS184,115
D1519	RH-EX0259TAZZY	AB		J	Zener Diode PDZ5.6B,115
D1521	VHDM111G+-1Y	AA		J	Diode MA2J1110GL
D1522	VHD1PS184+-1Y	AB		J	Diode 1PS184,115
D1523	VHD1PS184+-1Y	AB		J	Diode 1PS184,115
D1802	VHDM111G+-1Y	AA		J	Diode MA2J1110GL
D2002	RH-PXA037WJZZY	AB		J	Diode SML-310MTT86
D2006	RH-EXA535WJZZY	AM		J	Zener Diode MAZ8082GML
D2401	VHDMAZ9120H-1Y	AC		J	Diode MAZ9120H
D2402	VHDMAZ9120H-1Y	AC		J	Diode MAZ9120H
D2403	RH-EX0259TAZZY	AB		J	Zener Diode PDZ5.6B,115
D2404	VHD1PS184+-1Y	AB		J	Diode 1PS184,115
D2405	VHD1PS184+-1Y	AB		J	Diode 1PS184,115
D5001	VHDB520S30-1Y	AC		J	Diode RB520S-30TE61
D8101	VHD1PS226+-1Y	AB		J	Diode 1PS226,115
D8102	VHD1PS226+-1Y	AB		J	Diode 1PS226,115
D8103	VHD1PS226+-1Y	AB		J	Diode 1PS226,115
D8108	RH-EXA507WJZZY	AA		J	Zener Diode MAZ8033GLL
D8109	RH-EXA507WJZZY	AA		J	Zener Diode MAZ8033GLL
D9101	RH-PXA037WJZZY	AB		J	Diode SML-310MTT86
D9102	RH-PXA037WJZZY	AB		J	Diode SML-310MTT86
D9601	VHDM2SD32G-1Y			R	Diode MA2SD32G
D9602	VHDM2SD32G-1Y			R	Diode MA2SD32G
D9603	VHDM111G+-1Y	AA		J	Diode MA2J1110GL
D9604	VHDSMAB33L+-1Y	AC		J	Diode SMAB33L-RTK/P
D9608	VHDSMAB33L+-1Y	AC		J	Diode SMAB33L-RTK/P
D9617	RH-EXA514WJZZY	AB		J	Zener Diode MAZ8043GML
D9618	VHDM111G+-1Y	AA		J	Diode MA2J1110GL
D9619	VHDB056L40-1Y	AC		J	Diode RB056L40
D9620	VHDB056L40-1Y	AC		J	Diode RB056L40
FB501	RBLN-0077TAZZY	AB		J	Balun BLN-0077TA
FB502	RBLN-0077TAZZY	AB		J	Balun BLN-0077TA
FB503	RBLN-0077TAZZY	AB		J	Balun BLN-0077TA
FB504	RBLN-0077TAZZY	AB		J	Balun BLN-0077TA
FB505	RBLN-0077TAZZY	AB		J	Balun BLN-0077TA
FB506	RBLN-0077TAZZY	AB		J	Balun BLN-0077TA
FB507	RBLN-0077TAZZY	AB		J	Balun BLN-0077TA
FB508	RBLN-0077TAZZY	AB		J	Balun BLN-0077TA
FB509	RBLN-0077TAZZY	AB		J	Balun BLN-0077TA
FB510	RBLN-0077TAZZY	AB		J	Balun BLN-0077TA
FB511	RBLN-0077TAZZY	AB		J	Balun BLN-0077TA
FB512	RBLN-0077TAZZY	AB		J	Balun BLN-0077TA
FB513	RBLN-0077TAZZY	AB		J	Balun BLN-0077TA
FB514	RBLN-0077TAZZY	AB		J	Balun BLN-0077TA
FB515	RBLN-0077TAZZY	AB		J	Balun BLN-0077TA
FB516	RBLN-0077TAZZY	AB		J	Balun BLN-0077TA
FB517	RBLN-A188WJZZY	AA		J	Balun BLN-A188WJ
FB518	RBLN-0077TAZZY	AB		J	Balun BLN-0077TA
FB519	RBLN-0077TAZZY	AB		J	Balun BLN-0077TA
FB520	RBLN-A188WJZZY	AA		J	Balun BLN-A188WJ

LC-42DH77E/RU/S/V, LC-46DH77E/RU/S/V

NO.	PARTS CODE	PRICE RANK	NEW MARK	PART DELIVERY	DESCRIPTION
[4] DUNTKE685FM24/39 (MAIN Unit)					
FB1301	RBLN-A188WJZZY	AA		J	Balun BLN-A188WJ
FB1302	RBLN-A188WJZZY	AA		J	Balun BLN-A188WJ
FB1303	RBLN-A188WJZZY	AA		J	Balun BLN-A188WJ
FB1304	RBLN-A188WJZZY	AA		J	Balun BLN-A188WJ
FB1305	RBLN-0077TAZZY	AB		J	Balun BLN-0077TA
FB1306	RBLN-0077TAZZY	AB		J	Balun BLN-0077TA
FB1307	RBLN-A188WJZZY	AA		J	Balun BLN-A188WJ
FB1308	RBLN-A188WJZZY	AA		J	Balun BLN-A188WJ
FB1309	RBLN-A188WJZZY	AA		J	Balun BLN-A188WJ
FB1310	RBLN-0077TAZZY	AB		J	Balun BLN-0077TA
FB1311	RBLN-0077TAZZY	AB		J	Balun BLN-0077TA
FB1501	RBLN-0061TAZZY	AD		J	Balun BLN-0061TA
FB1502	RBLN-0061TAZZY	AD		J	Balun BLN-0061TA
FB1503	RBLN-0061TAZZY	AD		J	Balun BLN-0061TA
FB1504	RBLN-0061TAZZY	AD		J	Balun BLN-0061TA
FB1515	RBLN-A274WJZZY	AB		J	Balun BLN-A274WJ
FB2003	RBLN-A188WJZZY	AA		J	Balun BLN-A188WJ
FB2004	RBLN-A188WJZZY	AA		J	Balun BLN-A188WJ
FB2005	RBLN-0061TAZZY	AD		J	Balun BLN-0061TA
FB2006	RBLN-0061TAZZY	AD		J	Balun BLN-0061TA
FB2007	RBLN-0061TAZZY	AD		J	Balun BLN-0061TA
FB2008	RBLN-0061TAZZY	AD		J	Balun BLN-0061TA
FB2009	RBLN-0061TAZZY	AD		J	Balun BLN-0061TA
FB2012	RBLN-0061TAZZY	AD		J	Balun BLN-0061TA
FB2013	RBLN-0061TAZZY	AD		J	Balun BLN-0061TA
FB2014	RBLN-0061TAZZY	AD		J	Balun BLN-0061TA
FB2402	RBLN-0061TAZZY	AD		J	Balun BLN-0061TA
FB2403	RBLN-0061TAZZY	AD		J	Balun BLN-0061TA
FB2404	RBLN-0061TAZZY	AD		J	Balun BLN-0061TA
FB4402	RBLN-0210TAZZY	AB		J	Balun BLN-0210TA
FB4403	RBLN-0210TAZZY	AB		J	Balun BLN-0210TA
FB5002	RBLN-A188WJZZY	AA		J	Balun BLN-A188WJ
FB5003	RBLN-A188WJZZY	AA		J	Balun BLN-A188WJ
FB5004	RBLN-A188WJZZY	AA		J	Balun BLN-A188WJ
FB5005	RBLN-A188WJZZY	AA		J	Balun BLN-A188WJ
FB5006	RBLN-A188WJZZY	AA		J	Balun BLN-A188WJ
FB5007	RBLN-A188WJZZY	AA		J	Balun BLN-A188WJ
FB5010	RBLN-A188WJZZY	AA		J	Balun BLN-A188WJ
FB5011	RBLN-A188WJZZY	AA		J	Balun BLN-A188WJ
FB5012	RBLN-A188WJZZY	AA		J	Balun BLN-A188WJ
FB5301	RBLN-A274WJZZY	AB		J	Balun BLN-A274WJ
FB7501	RBLN-0210TAZZY	AB		J	Balun BLN-0210TA
FB8101	RBLN-A188WJZZY	AA		J	Balun BLN-A188WJ
FB8103	RBLN-A206WJZZY	AA		J	Balun BLN-A206WJ
FB8104	RBLN-A188WJZZY	AA		J	Balun BLN-A188WJ
FB8105	RBLN-A188WJZZY	AA		J	Balun BLN-A188WJ
FB8106	RBLN-A188WJZZY	AA		J	Balun BLN-A188WJ
FB8107	RBLN-0253TAZZY	AA		J	Balun BLN-0253TA
FB8108	RBLN-A188WJZZY	AA		J	Balun BLN-A188WJ
FB8110	RBLN-A188WJZZY	AA		J	Balun BLN-A188WJ
FB8111	RBLN-A188WJZZY	AA		J	Balun BLN-A188WJ
FB8112	RBLN-A207WJZZY	AB		J	Balun BLN-A207WJ
FB8119	RBLN-A188WJZZY	AA		J	Balun BLN-A188WJ
FB8121	RBLN-A188WJZZY	AA		J	Balun BLN-A188WJ
FB8122	RBLN-A188WJZZY	AA		J	Balun BLN-A188WJ
FB8123	RBLN-A188WJZZY	AA		J	Balun BLN-A188WJ
FB8126	RBLN-A188WJZZY	AA		J	Balun BLN-A188WJ
FB8701	RBLN-A274WJZZY	AB		J	Balun BLN-A274WJ
FB8702	RBLN-A188WJZZY	AA		J	Balun BLN-A188WJ
FB9601	RBLN-0207TAZZY	AB		J	Balun BLN-0207TA
FB9602	RBLN-0207TAZZY	AB		J	Balun BLN-0207TA
FB9604	RBLN-A303WJZZY	AB		J	Balun BLN-A303WJ
FB9605	RBLN-0207TAZZY	AB		J	Balun BLN-0207TA
FB9606	RBLN-0207TAZZY	AB		J	Balun BLN-0207TA
FL501	RFiLN0017TAZZY	AC		J	Filter FiLN0017TA
FL502	RFiLN0017TAZZY	AC		J	Filter FiLN0017TA
FL503	RFiLN0017TAZZY	AC		J	Filter FiLN0017TA
FL504	RFiLN0017TAZZY	AC		J	Filter FiLN0017TA
FL505	RFiLN0017TAZZY	AC		J	Filter FiLN0017TA
FL506	RFiLN0017TAZZY	AC		J	Filter FiLN0017TA
FL507	RFiLN0017TAZZY	AC		J	Filter FiLN0017TA
FL508	RFiLN0017TAZZY	AC		J	Filter FiLN0017TA
FL509	RFiLN0017TAZZY	AC		J	Filter FiLN0017TA
FL510	RFiLN0017TAZZY	AC		J	Filter FiLN0017TA
FL511	RFiLN0003TAZZY	AD		J	Filter FiLN0003TA
FL512	RFiLN0003TAZZY	AD		J	Filter FiLN0003TA
FL513	RFiLN0003TAZZY	AD		J	Filter FiLN0003TA
FL516	RFiLN0017TAZZY	AC		J	Filter FiLN0017TA
FL1501	RFiLN0003TAZZY	AD		J	Filter FiLN0003TA
FL1502	RFiLN0003TAZZY	AD		J	Filter FiLN0003TA
FL1503	RFiLN0003TAZZY	AD		J	Filter FiLN0003TA
FL2001	RFiLZA027WJQZY	AD		J	Filter FiLZA027WJ
IC501	VHiT7SET08U1EY	AC		J	IC TC7SET08FU(5L,JF,T
IC502	VHiTC7W53U/-1Y	AF		J	IC TC7W53FU(TE12L,F)
IC503	VHiMM1783CQ-1Q	AS	N	J	IC MM1783CQ

NO.	PARTS CODE	PRICE RANK	NEW MARK	PART DELIVERY	DESCRIPTION
[4] DUNTKE685FM24/39 (MAIN Unit)					
IC504	VHiAK4384ET-1Y	AG		J	IC AK4384ET
IC1301	VHi7WH157FK-1Y	AF		J	IC TC7WH157FK(TE85L,F)
IC1302	VHiSTV8357F-1Q	AY	N	J	IC STV8357FD
IC1303	VHiPQ1LAX95-1Y	AD		J	IC PQ1LAX95MSPQ
IC1304	VHiSTA333W+-1Y	AQ	N	J	IC STA333W13TR
IC1305	VHiNJM3414V-1Y	AF		J	IC NJM3414AV-TE1
IC1306	VHiTVHC157T-1Y	AF		J	IC TC74VHC157FT(EL)
IC1503	RH-iXC697WJQZS	AH	N	J	IC EDID(PC)
IC1504	RH-iXC442WJN1S	AK	N	J	IC EDID(HDMI)
IC1507	VHiBU16028K-1Q	AP	N	J	IC BU16028KV
IC1805	VHiTCR5SB33-1Y	AC		J	IC TCR5SB33(TE85L,F)
IC2001	VHiTCVHC32T-1Y	AE		J	IC TC74VHC32FT(EL)
IC2002	VHiS80927NM-1Y	AC		J	IC S-80927CNMC-G8XT2G
IC2003	RH-iXC321WJNMQ	AQ		J	IC MONITOR MICOM
IC2004	VHiTC7SH00U-1Y	AC		J	IC TC7SH00FU(T5L,JF,T)
IC2005	VHi7WH126FU-1Y	AE		J	IC TC7WH126FU(TE12L,F)
IC2006	VHiM24C04W6-1Y	AE		J	IC M24C04-WMN6TP
IC2007	VHiLCX125FT-1Y	AD		J	IC TC74LCX125FT(EL,K)
IC2401	VHi7WH126FU-1Y	AE		J	IC TC7WH126FU(TE12L,F)
IC2402	VHiLCX157FT-1Y	AD		J	IC TC74LCX157FT(EKJ)
IC2403	VHiM3221EIP-1Y	AK	N	J	IC MAX3221EIPWR
IC2601	VHiTC7W66U/-1Y	AE		J	IC TC7W66FU(TE12L,F)
IC4401	VHiLCX245FT-1Y	AD		J	IC TC74LCX245FT(EKJ)
IC4402	VHiLCX573FT-1Y	AF		J	IC TC74LCX573FT(EKJ)
IC4403	VHiTC7SH08U-1Y	AF		J	IC TC7SH08FU(TE85L,JF)
IC4404	VHiLCX244FT-1Y	AE		J	IC TC74LCX244FT(EL,K)
IC4405	VHiLCX573FT-1Y	AF		J	IC TC74LCX573FT(EKJ)
IC4409	VHiLVC1G14W-1Y	AC	N	J	IC 74LVC1G14GW,125
IC5001	RH-iXC446WJQZQ	BU	N	J	IC ST-7101BWD
IC5002	VHiTC7WZ04F-1Y	AC		J	IC TC7WZ04FK(TE85L,F)
IC5003	Not Available	-		-	IC HDCP Key (Please replace the MAIN PWB when it is necessary to replace this IC.)
IC5004	VHiTC7W66U/-1Y	AE		J	IC TC7W66FU(TE12L,F)
IC5201	RH-iXC187WJQZQ	AZ		J	IC K4H511638D-UCCC
IC5202	RH-iXC187WJQZQ	AZ		J	IC K4H511638D-UCCC
IC5203	RH-iXC525WJQZQ	AU	N	J	IC K4H561638J-LCCC
IC5204	RH-iXC525WJQZQ	AU	N	J	IC K4H561638J-LCCC
IC5301	VHiBU16028K-1Q	AP	N	J	IC BU16028KV
IC5303	RH-iXC527WJQZQ	BA	N	J	IC M29W640FT70N6E
IC7502	VHiR1173S12-1Y	AE		J	IC R1173S121B-E2-F
IC7503	VHiAK4255ET-1Y	AK	N	J	IC AK4255ET
IC7508	VHiDRX3913K-1Q	AX	N	J	IC DRX3913K-XK-A2
IC8101	RH-iXC372WJQZQ	BS	N	J	IC HiDTV Pro WX(8568W-LF)
IC8103	VHiLVC08AT+-1Y	AF		J	IC SN74LVC08APWR
IC8104	VHiBD6538G+-1Y	AD		J	IC BD6538G-TR
IC8301	RH-iXC505WJQZQ	AY	N	J	IC K4T51163QG-HCF7
IC8302	RH-iXC505WJQZQ	AY	N	J	IC K4T51163QG-HCF7
IC8701	VHiS29G128P-1Q	AU		J	IC S29GL128P90TFCR20#
IC8703	VHiBR24S64M-1Y	AF		J	IC BR24S64FVM-WTR
IC8704	VHiAK8131C+-1Y	AK	N	J	IC AK8131C
IC9101	RH-iXC671WJQZQ	AS	N	J	IC XC2C128-7VQG100C
IC9104	VHiTCLCX08FT1Y	AD		J	IC TC74LCX08FT(EL,K)
IC9601	VHiPQ200WNA-1Y	AG		J	IC PQ200WNA1ZPH
IC9602	VHiL6726A+-1Y	AH	N	J	IC L6726ATR
IC9603	VHiL6726A+-1Y	AH	N	J	IC L6726ATR
IC9604	VHiLV5805M+-1Y	AG		J	IC LV5805M-TE-L-E
IC9606	VHiLV5805M+-1Y	AG		J	IC LV5805M-TE-L-E
IC9607	VHiPQ1KA503-1Y	AD		J	IC PQ1KA503M2PH
IC9608	VHiPQ070XNA-1Y	AE		J	IC PQ070XNA1ZPH
IC9609	VHiPQ025ENA-1Y	AE		J	IC PQ025ENA1ZPH
IC9610	VHiLV5805M+-1Y	AG		J	IC LV5805M-TE-L-E
J501	QJAKGA131WJZZ	AG		J	Jack
J502	QJAKFA061WJZZ	AE		J	Jack AUDIO-IN
J503	QJAKFA061WJZZ	AE		J	Jack AUDIO-OUT
J505	QJAKGA079WJZZ	AD		J	Jack
J1301	QJAKJ0008GEZZ	AD		J	Jack
J1302	QJAKJ0047CEZZ	AD		J	Headphone Jack
J8101	QS0CZA172WJQZ	AD		J	Socket 4Pin(USB)
L1301	RCiLPA899WJZZY	AC		J	Coil Peaking 22uH
L1302	RCiLPA899WJZZY	AC		J	Coil Peaking 22uH
L1303	RCiLPA899WJZZY	AC		J	Coil Peaking 22uH
L1304	RCiLPA899WJZZY	AC		J	Coil Peaking 22uH
L2613	RCiLFA119WJZZY	AE		J	Coil CILFA119WJ
L2614	RCiLFA119WJZZY	AE		J	Coil CILFA119WJ
L2615	RCiLFA119WJZZY	AE		J	Coil CILFA119WJ
L2616	RCiLFA119WJZZY	AE		J	Coil CILFA119WJ
L2617	RCiLFA119WJZZY	AE		J	Coil CILFA119WJ
L2618	RCiLFA119WJZZY	AE		J	Coil CILFA119WJ
L7508	VPSBN100J1R2NY	AB		J	Coil Peaking 10uH
L8103	VPCWM2R2MR10NY	AC		J	Coil Peaking 2.2uH
L9601	RCiLPA758WJQZY	AC		J	Coil CILPA758WJ
L9602	RCiLPA758WJQZY	AC		J	Coil CILPA758WJ
L9603	RCiLPA762WJQZY	AE		J	Coil CILPA762WJ
L9605	RCiLPA888WJZZY	AG		J	Coil CILPA888WJ
L9606	RCiLFA228WJZZY	AD		J	Coil CILFA228WJ
L9607	RCiLPA887WJZZY	AG		J	Coil CILPA887WJ

LC-42DH77E/RU/S/V, LC-46DH77E/RU/S/V

NO.	PARTS CODE	PRICE RANK	NEW MARK	PART DELIVERY	DESCRIPTION
[4] DUNTKE685FM24/39 (MAIN Unit)					
LUG501	QLUGHA009WJZZY	AC		J	Lug
LUG502	QLUGHA009WJZZY	AC		J	Lug
LUG503	QLUGHA009WJZZY	AC		J	Lug
LUG504	QLUGHA009WJZZY	AC		J	Lug
LUG505	QLUGHA009WJZZY	AC		J	Lug
LUG506	QLUGHA009WJZZY	AC		J	Lug
LUG507	QLUGHA009WJZZY	AC		J	Lug
LUG508	QLUGHA009WJZZY	AC		J	Lug
P1301	QPLGNA160WJZZY	AD		J	Plug 4Pin(SP)
P2003	QPLGNA330WJZZY	AD		J	Plug 10Pin(RA)
P2004	QPLGNA324WJZZY	AC		J	Plug 4Pin(KM)
P2603	QPLGNA329WJZZY	AD		J	Plug 9Pin(LB)
P4401	QCNCMA318WJSA	AN	N	J	Plug
P5002	QPLGN0567FJZZY	AD		J	Plug 5Pin
P8103	QPLGNA144WJZZY	AF		J	Plug 20Pin(PARTNER)
P9601	QPLGNA168WJZZY	AF		J	Plug 12Pin(PD)
P9603	QPLGNA335WJZZY	AD		J	Plug 15pin(LP)
Q501	VSKRC404E+-1Y	AB		J	Transistor KRC404E
Q502	VSDTC314TK/-1Y	AC		J	Transistor DTC314TKT146
Q503	VSDTC314TK/-1Y	AC		J	Transistor DTC314TKT146
Q504	VSDTC314TK/-1Y	AC		J	Transistor DTC314TKT146
Q505	VSDTC314TK/-1Y	AC		J	Transistor DTC314TKT146
Q510	VS2SA1530AR-1Y	AB		J	Transistor 2SA1530A-T112-1R
Q511	VS2SA1530AR-1Y	AB		J	Transistor 2SA1530A-T112-1R
Q512	VSDTC314TK/-1Y	AC		J	Transistor DTC314TKT146
Q513	VSDTC314TK/-1Y	AC		J	Transistor DTC314TKT146
Q1301	VSIMH23T110-1Y	AC		J	Transistor IMH23T110
Q1504	VSRDTC144EE-1Y	AA		J	Transistor PDTC144EE,115
Q1506	VSRDTC144EE-1Y	AA		J	Transistor PDTC144EE,115
Q1516	VSIMD2A///-1Y	AC		J	Transistor IMD2AT108
Q1802	VSRDTC144EE-1Y	AA		J	Transistor PDTC144EE,115
Q1803	VSDTA124EKA-1Y	AB		J	Transistor DTA124EKAT146
Q1808	VSRDTC144EE-1Y	AA		J	Transistor PDTC144EE,115
Q1809	VS2SA1530AR-1Y	AB		J	Transistor 2SA1530A-T112-1R
Q2002	VSRN1102///-1Y	AB		J	Transistor RN1102(TE85L,F)
Q2003	VS2SA1530AR-1Y	AB		J	Transistor 2SA1530A-T112-1R
Q4401	RH-TXA026WJZZY	AD		J	Transistor PBL2001D,115
Q5002	RH-TXA026WJZZY	AD		J	Transistor PBL2001D,115
Q5301	VSRDTC144EE-1Y	AA		J	Transistor PDTC144EE,115
Q5302	VSRDTC144EE-1Y	AA		J	Transistor PDTC144EE,115
Q7503	VS2SC3928AR-1Y	AB		J	Transistor 2SC3928A-T112-1R
Q7504	VSDTA124EKA-1Y	AB		J	Transistor DTA124EKAT146
Q7505	RH-TXA026WJZZY	AD		J	Transistor PBL2001D,115
Q8703	VS2SC3928AR-1Y	AB		J	Transistor 2SC3928A-T112-1R
Q9102	VSRDTC144EE-1Y	AA		J	Transistor PDTC144EE,115
Q9601	VSRDTC144EE-1Y	AA		J	Transistor PDTC144EE,115
Q9602	VSRDTC144EE-1Y	AA		J	Transistor PDTC144EE,115
Q9603	VSF808ME+-1Y	AE		J	Transistor FW808-M-TL-E
Q9604	VSF808ME+-1Y	AE		J	Transistor FW808-M-TL-E
Q9605	VSRT1N144U/-1Y	AB		J	Transistor RT1N144U-T111-1
Q9606	VSRDTC144EE-1Y	AA		J	Transistor PDTC144EE,115
Q9607	VSEMZ1++++-1Y	AC		J	Transistor EMZ1T2R
Q9608	VS2SC3928AR-1Y	AB		J	Transistor 2SC3928A-T112-1R
Q9609	VSDTA124EKA-1Y	AB		J	Transistor DTA124EKAT146
R501	VRS-CZ1JF472JY	AA		J	Resistor 4.7k 1/16W Metal Oxide
R503	VRS-CZ1JF682JY	AA		J	Resistor 6.8k 1/16W Metal Oxide
R504	VRS-CZ1JF472JY	AA		J	Resistor 4.7k 1/16W Metal Oxide
R508	VRS-TQ2EF750JY	AA		J	Resistor 75 1/4W Metal Oxide
R509	VRS-TQ2EF680JY	AA		J	Resistor 68 1/4W Metal Oxide
R510	VRS-TQ2EF680JY	AA		J	Resistor 68 1/4W Metal Oxide
R511	VRS-TQ2EF750JY	AA		J	Resistor 75 1/4W Metal Oxide
R512	VRS-CZ1JF682JY	AA		J	Resistor 6.8k 1/16W Metal Oxide
R513	VRS-TQ2EF750JY	AA		J	Resistor 75 1/4W Metal Oxide
R514	VRS-CZ1JF102JY	AA		J	Resistor 1k 1/16W Metal Oxide
R518	VRS-TQ2EF750JY	AA		J	Resistor 75 1/4W Metal Oxide
R519	VRS-TQ2EF750JY	AA		J	Resistor 75 1/4W Metal Oxide
R520	VRS-TQ2EF101JY	AA		J	Resistor 100 1/4W Metal Oxide
R522	VRS-CZ1JF102JY	AA		J	Resistor 1k 1/16W Metal Oxide
R523	VRS-TQ2EF750JY	AA		J	Resistor 75 1/4W Metal Oxide
R524	VRS-TQ2EF750JY	AA		J	Resistor 75 1/4W Metal Oxide
R525	VRS-CZ1JF473JY	AA		J	Resistor 47k 1/16W Metal Oxide
R526	VRS-TQ2EF750JY	AA		J	Resistor 75 1/4W Metal Oxide
R527	VRS-TQ2EF101JY	AA		J	Resistor 100 1/4W Metal Oxide
R528	VRS-TQ2EF750JY	AA		J	Resistor 75 1/4W Metal Oxide
R529	VRS-TQ2EF750JY	AA		J	Resistor 75 1/4W Metal Oxide
R531	VRS-CZ1JF221JY	AA		J	Resistor 220 1/16W Metal Oxide
R534	VRS-TV1JD221JY	AA		J	Resistor 220 1/16W Metal Oxide
R535	VRS-TV1JD221JY	AA		J	Resistor 220 1/16W Metal Oxide
R536	VRS-TV1JD221JY	AA		J	Resistor 220 1/16W Metal Oxide
R537	VRS-TV1JD221JY	AA		J	Resistor 220 1/16W Metal Oxide
R538	VRS-CZ1JF104JY	AA		J	Resistor 100k 1/16W Metal Oxide
R539	VRS-CZ1JF104JY	AA		J	Resistor 100k 1/16W Metal Oxide
R540	VRS-CZ1JF104JY	AA		J	Resistor 100k 1/16W Metal Oxide
R541	VRS-CZ1JF104JY	AA		J	Resistor 100k 1/16W Metal Oxide
R543	VRK-SA1JF101JY	AC		J	Resistor 100 1/16W Metal Composition

NO.	PARTS CODE	PRICE RANK	NEW MARK	PART DELIVERY	DESCRIPTION
[4] DUNTKE685FM24/39 (MAIN Unit)					
R544	VRK-SA1JF101JY	AC		J	Resistor 100 1/16W Metal Composition
R545	VRS-CZ1JF102JY	AA		J	Resistor 1k 1/16W Metal Oxide
R546	VRS-CZ1JF102JY	AA		J	Resistor 1k 1/16W Metal Oxide
R547	VRS-CZ1JF104JY	AA		J	Resistor 100k 1/16W Metal Oxide
R548	VRS-CZ1JF104JY	AA		J	Resistor 100k 1/16W Metal Oxide
R549	VRS-CZ1JF102JY	AA		J	Resistor 1k 1/16W Metal Oxide
R550	VRS-CZ1JF102JY	AA		J	Resistor 1k 1/16W Metal Oxide
R551	VRS-CZ1JF564JY	AB		J	Resistor 560k 1/16W Metal Oxide
R552	VRS-CZ1JF564JY	AB		J	Resistor 560k 1/16W Metal Oxide
R553	VRK-SA1JF331JY	AA		J	Resistor 330 1/16W Metal Composition
R554	VRK-SA1JF331JY	AA		J	Resistor 330 1/16W Metal Composition
R555	VRS-CZ1JF104JY	AA		J	Resistor 100k 1/16W Metal Oxide
R556	VRS-CZ1JF104JY	AA		J	Resistor 100k 1/16W Metal Oxide
R557	VRS-CZ1JF564JY	AB		J	Resistor 560k 1/16W Metal Oxide
R558	VRS-CZ1JF564JY	AB		J	Resistor 560k 1/16W Metal Oxide
R561	VRS-CZ1JF103JY	AA		J	Resistor 10k 1/16W Metal Oxide
R562	VRS-CZ1JF103JY	AA		J	Resistor 10k 1/16W Metal Oxide
R563	VRS-CY1JF104JY	AA		J	Resistor 100k 1/16W Metal Oxide
R564	VRS-TQ2EF750JY	AA		J	Resistor 75 1/4W Metal Oxide
R565	VRS-CZ1JF101JY	AA		J	Resistor 100 1/16W Metal Oxide
R566	VRS-CZ1JF101JY	AA		J	Resistor 100 1/16W Metal Oxide
R567	VRS-TQ2EF750JY	AA		J	Resistor 75 1/4W Metal Oxide
R568	VRS-CY1JF000JY	AA		J	Resistor 0 1/16W Metal Oxide
R569	VRS-CZ1JF101JY	AA		J	Resistor 100 1/16W Metal Oxide
R570	VRS-CZ1JF103JY	AA		J	Resistor 10k 1/16W Metal Oxide
R571	VRS-TQ2EF750JY	AA		J	Resistor 75 1/4W Metal Oxide
R572	VRS-TQ2EF750JY	AA		J	Resistor 75 1/4W Metal Oxide
R573	VRS-CZ1JF101JY	AA		J	Resistor 100 1/16W Metal Oxide
R574	VRS-CZ1JF102JY	AA		J	Resistor 1k 1/16W Metal Oxide
R575	VRS-CZ1JF102JY	AA		J	Resistor 1k 1/16W Metal Oxide
R576	VRS-CZ1JF104JY	AA		J	Resistor 100k 1/16W Metal Oxide
R577	VRS-CZ1JF101JY	AA		J	Resistor 100 1/16W Metal Oxide
R578	VRK-SA1JF100JY	AB		J	Resistor 10 1/16W Metal Composition
R579	VRS-CZ1JF102JY	AA		J	Resistor 1k 1/16W Metal Oxide
R580	VRS-CZ1JF102JY	AA		J	Resistor 1k 1/16W Metal Oxide
R581	VRS-CZ1JF104JY	AA		J	Resistor 100k 1/16W Metal Oxide
R582	VRS-CZ1JF220JY	AA		J	Resistor 22 1/16W Metal Oxide
R583	VRS-CZ1JF220JY	AA		J	Resistor 22 1/16W Metal Oxide
R584	VRS-CZ1JF220JY	AA		J	Resistor 22 1/16W Metal Oxide
R585	VRS-CZ1JF104JY	AA		J	Resistor 100k 1/16W Metal Oxide
R586	VRS-CZ1JF221JY	AA		J	Resistor 220 1/16W Metal Oxide
R587	VRS-CZ1JF561JY	AA		J	Resistor 560 1/16W Metal Oxide
R588	VRS-CZ1JF220JY	AA		J	Resistor 22 1/16W Metal Oxide
R589	VRS-CZ1JF102JY	AA		J	Resistor 1k 1/16W Metal Oxide
R590	VRS-CZ1JF220JY	AA		J	Resistor 22 1/16W Metal Oxide
R591	VRS-CZ1JF104JY	AA		J	Resistor 100k 1/16W Metal Oxide
R592	VRS-CZ1JF221JY	AA		J	Resistor 220 1/16W Metal Oxide
R593	VRS-CZ1JF561JY	AA		J	Resistor 560 1/16W Metal Oxide
R594	VRS-CZ1JF220JY	AA		J	Resistor 22 1/16W Metal Oxide
R595	VRS-CZ1JF102JY	AA		J	Resistor 1k 1/16W Metal Oxide
R596	VRS-CZ1JF564JY	AB		J	Resistor 560k 1/16W Metal Oxide
R597	VRS-CZ1JF101JY	AA		J	Resistor 100 1/16W Metal Oxide
R598	VRS-CZ1JF564JY	AB		J	Resistor 560k 1/16W Metal Oxide
R599	VRS-CZ1JF103JY	AA		J	Resistor 10k 1/16W Metal Oxide
R601	VRS-CZ1JF820JY	AA		J	Resistor 82 1/16W Metal Oxide
R602	VRS-CZ1JF820JY	AA		J	Resistor 82 1/16W Metal Oxide
R621	VRS-CZ1JF470JY	AA		J	Resistor 47 1/16W Metal Oxide
R622	VRS-CZ1JF470JY	AA		J	Resistor 47 1/16W Metal Oxide
R623	VRS-CZ1JF470JY	AA		J	Resistor 47 1/16W Metal Oxide
R624	VRS-CZ1JF472JY	AA		J	Resistor 4.7k 1/16W Metal Oxide
R625	VRS-CZ1JF102JY	AA		J	Resistor 1k 1/16W Metal Oxide
R626	VRS-CZ1JF222JY	AA		J	Resistor 2.2k 1/16W Metal Oxide
R627	VRS-CZ1JF151JY	AA		J	Resistor 150 1/16W Metal Oxide
R628	VRS-CY1JF000JY	AA		J	Resistor 0 1/16W Metal Oxide
R629	VRS-CY1JF104JY	AA		J	Resistor 100k 1/16W Metal Oxide
R630	VRS-CZ1JF102JY	AA		J	Resistor 1k 1/16W Metal Oxide
R631	VRS-CZ1JF472JY	AA		J	Resistor 4.7k 1/16W Metal Oxide
R632	VRS-CZ1JF103JY	AA		J	Resistor 10k 1/16W Metal Oxide
R633	VRS-CZ1JF820JY	AA		J	Resistor 82 1/16W Metal Oxide
R1301	VRS-CZ1JF470JY	AA		J	Resistor 47 1/16W Metal Oxide
R1302	VRS-CZ1JF470JY	AA		J	Resistor 47 1/16W Metal Oxide
R1303	VRS-CZ1JF470JY	AA		J	Resistor 47 1/16W Metal Oxide
R1310	VRS-CZ1JF470JY	AA		J	Resistor 47 1/16W Metal Oxide
R1311	VRS-CZ1JF472JY	AA		J	Resistor 4.7k 1/16W Metal Oxide
R1316	VRS-CZ1JF102JY	AA		J	Resistor 1k 1/16W Metal Oxide
R1317	VRS-CZ1JF102JY	AA		J	Resistor 1k 1/16W Metal Oxide
R1318	VRS-CZ1JF104JY	AA		J	Resistor 100k 1/16W Metal Oxide
R1319	VRS-CZ1JF104JY	AA		J	Resistor 100k 1/16W Metal Oxide
R1320	VRS-CZ1JF470JY	AA		J	Resistor 47 1/16W Metal Oxide
R1321	VRS-CZ1JF102JY	AA		J	Resistor 1k 1/16W Metal Oxide
R1322	VRS-CZ1JF102JY	AA		J	Resistor 1k 1/16W Metal Oxide
R1324	VRS-CZ1JF470JY	AA		J	Resistor 47 1/16W Metal Oxide
R1326	VRS-CZ1JF470JY	AA		J	Resistor 47 1/16W Metal Oxide
R1327	VRS-CZ1JF470JY	AA		J	Resistor 47 1/16W Metal Oxide
R1328	VRS-CZ1JF103JY	AA		J	Resistor 10k 1/16W Metal Oxide

LC-42DH77E/RU/S/V, LC-46DH77E/RU/S/V

NO.	PARTS CODE	PRICE RANK	NEW MARK	PART DELIVERY	DESCRIPTION
[4] DUNTKE685FM24/39 (MAIN Unit)					
R1329	VRK-SA1JF100JY	AB		J	Resistor 10 1/16W Metal Composition
R1330	VRS-CZ1JF823FY	AA		J	Resistor 82k 1/16W Metal Oxide
R1331	VRS-CZ1JF153FY	AA		J	Resistor 15k 1/16W Metal Oxide
R1336	VRK-SA1JF100JY	AB		J	Resistor 10 1/16W Metal Composition
R1337	VRS-CZ1JF470JY	AA		J	Resistor 47 1/16W Metal Oxide
R1339	VRS-TQ2EF000JY	AB		J	Resistor 0 1/4W Metal Oxide
R1340	VRS-CZ1JF222JY	AA		J	Resistor 2.2k 1/16W Metal Oxide
R1341	VRS-CZ1JF3R3JY	AA		J	Resistor 3.3 1/16W Metal Oxide
R1342	VRS-CZ1JF3R3JY	AA		J	Resistor 3.3 1/16W Metal Oxide
R1343	VRS-TQ2EF390JY	AA		J	Resistor 39 1/4W Metal Oxide
R1344	VRS-TQ2EF390JY	AA		J	Resistor 39 1/4W Metal Oxide
R1346	VRS-TQ2EF6R8JY	AA		J	Resistor 6.8 1/4W Metal Oxide
R1347	VRS-TQ2EF6R8JY	AA		J	Resistor 6.8 1/4W Metal Oxide
R1349	VRS-TQ2EF220JY	AA		J	Resistor 22 1/4W Metal Oxide
R1350	VRS-TQ2EF220JY	AA		J	Resistor 22 1/4W Metal Oxide
R1351	VRS-CZ1JF473JY	AA		J	Resistor 47k 1/16W Metal Oxide
R1352	VRS-TQ2EF6R8JY	AA		J	Resistor 6.8 1/4W Metal Oxide
R1353	VRS-CZ1JF473JY	AA		J	Resistor 47k 1/16W Metal Oxide
R1354	VRS-CZ1JF103JY	AA		J	Resistor 10k 1/16W Metal Oxide
R1355	VRS-TQ2EF6R8JY	AA		J	Resistor 6.8 1/4W Metal Oxide
R1356	VRS-CZ1JF103JY	AA		J	Resistor 10k 1/16W Metal Oxide
R1358	VRK-SA1JF103JY	AB		J	Resistor 10k 1/16W Metal Composition
R1359	VRS-TV1JD000JY	AA		J	Resistor 0 1/10W Metal Oxide
R1360	VRS-TV1JD000JY	AA		J	Resistor 0 1/10W Metal Oxide
R1361	VRS-TV1JD000JY	AA		J	Resistor 0 1/10W Metal Oxide
R1362	VRS-TV1JD000JY	AA		J	Resistor 0 1/10W Metal Oxide
R1363	VRS-CY1JF102JY	AA		J	Resistor 1k 1/16W Metal Oxide
R1364	VRS-TW2ED101JY	AA		J	Resistor 100 1/4W Metal Oxide
R1365	VRS-CY1JF104JY	AA		J	Resistor 100k 1/16W Metal Oxide
R1366	VRS-TW2ED101JY	AA		J	Resistor 100 1/4W Metal Oxide
R1367	VRS-CY1JF104JY	AA		J	Resistor 100k 1/16W Metal Oxide
R1379	VRS-CZ1JF000JY	AA		J	Resistor 0 1/16W Metal Oxide
R1380	VRS-CZ1JF000JY	AA		J	Resistor 0 1/16W Metal Oxide
R1503	VRS-CZ1JF102JY	AA		J	Resistor 1k 1/16W Metal Oxide
R1504	VRS-CZ1JF102JY	AA		J	Resistor 1k 1/16W Metal Oxide
R1506	VRS-CZ1JF273FY	AA		J	Resistor 27k 1/16W Metal Oxide
R1507	VRS-CZ1JF562FY	AA		J	Resistor 5.6k 1/16W Metal Oxide
R1508	VRS-CZ1JF103JY	AA		J	Resistor 10k 1/16W Metal Oxide
R1509	VRS-CZ1JF473JY	AA		J	Resistor 47k 1/16W Metal Oxide
R1510	VRS-CZ1JF473JY	AA		J	Resistor 47k 1/16W Metal Oxide
R1512	VRS-CZ1JF103JY	AA		J	Resistor 10k 1/16W Metal Oxide
R1513	VRK-SB1FF101JY	AA		J	Resistor 100 1/32W Metal Composition
R1516	VRS-CZ1JF000JY	AA		J	Resistor 0 1/16W Metal Oxide
R1517	VRS-CZ1JF000JY	AA		J	Resistor 0 1/16W Metal Oxide
R1519	VRS-CZ1JF273JY	AA		J	Resistor 27k 1/16W Metal Oxide
R1520	VRS-CZ1JF000JY	AA		J	Resistor 0 1/16W Metal Oxide
R1521	VRS-CZ1JF000JY	AA		J	Resistor 0 1/16W Metal Oxide
R1552	VRS-TV1JD750JY	AA		J	Resistor 75 1/16W Metal Oxide
R1553	VRS-TV1JD750JY	AA		J	Resistor 75 1/16W Metal Oxide
R1554	VRS-TV1JD750JY	AA		J	Resistor 75 1/16W Metal Oxide
R1562	VRS-CZ1JF221JY	AA		J	Resistor 220 1/16W Metal Oxide
R1563	VRS-CZ1JF221JY	AA		J	Resistor 220 1/16W Metal Oxide
R1565	VRS-CZ1JF102JY	AA		J	Resistor 1k 1/16W Metal Oxide
R1566	VRK-SB1FF473JY	AB		J	Resistor 47k 1/32W Metal Composition
R1567	VRK-SB1FF100JY	AA		J	Resistor 10 1/32W Metal Composition
R1568	VRK-SA1JF100JY	AB		J	Resistor 10 1/16W Metal Composition
R1569	VRK-SB1FF473JY	AB		J	Resistor 47k 1/32W Metal Composition
R1570	VRK-SA1JF100JY	AB		J	Resistor 10 1/16W Metal Composition
R1571	VRK-SB1FF100JY	AA		J	Resistor 10 1/32W Metal Composition
R1572	VRS-CZ1JF473JY	AA		J	Resistor 47k 1/16W Metal Oxide
R1593	VRK-SA1JF100JY	AB		J	Resistor 10 1/16W Metal Composition
R1604	VRK-SA1JF100JY	AB		J	Resistor 10 1/16W Metal Composition
R1607	VRK-SA1JF100JY	AB		J	Resistor 10 1/16W Metal Composition
R1609	VRK-SA1JF472JY	AA		J	Resistor 4.7k 1/16W Metal Composition
R1622	VRS-CZ1JF102JY	AA		J	Resistor 1k 1/16W Metal Oxide
R1801	VRS-CZ1JF472JY	AA		J	Resistor 4.7k 1/16W Metal Oxide
R1817	VRS-CZ1JF223JY	AA		J	Resistor 22k 1/16W Metal Oxide
R1819	VRS-CZ1JF473JY	AA		J	Resistor 47k 1/16W Metal Oxide
R1820	VRS-CZ1JF222JY	AA		J	Resistor 2.2k 1/16W Metal Oxide
R2001	VRS-CZ1JF101JY	AA		J	Resistor 100 1/16W Metal Oxide
R2002	VRS-CZ1JF100JY	AA		J	Resistor 10 1/16W Metal Oxide
R2003	VRS-CZ1JF102JY	AA		J	Resistor 1k 1/16W Metal Oxide
R2005	VRS-CJ1JF102JY	AA		J	Resistor 1k 1/16W Metal Oxide
R2006	VRS-CZ1JF472JY	AA		J	Resistor 4.7k 1/16W Metal Oxide
R2007	VRS-CZ1JF102JY	AA		J	Resistor 1k 1/16W Metal Oxide
R2008	VRS-CJ1JF333JY	AA		J	Resistor 33k 1/16W Metal Oxide
R2009	VRS-CZ1JF103JY	AA		J	Resistor 10k 1/16W Metal Oxide
R2010	VRS-CZ1JF101JY	AA		J	Resistor 100 1/16W Metal Oxide
R2011	VRS-CZ1JF101JY	AA		J	Resistor 100 1/16W Metal Oxide
R2012	VRS-CZ1JF103FY	AB		J	Resistor 10k 1/16W Metal Oxide
R2013	VRS-CZ1JF104JY	AA		J	Resistor 100k 1/16W Metal Oxide
R2014	VRS-CZ1JF102JY	AA		J	Resistor 1k 1/16W Metal Oxide
R2015	VRS-CZ1JF393JY	AA		J	Resistor 39k 1/16W Metal Oxide
R2016	VRS-CZ1JF101JY	AA		J	Resistor 100 1/16W Metal Oxide
R2017	VRS-CZ1JF103JY	AA		J	Resistor 10k 1/16W Metal Oxide

NO.	PARTS CODE	PRICE RANK	NEW MARK	PART DELIVERY	DESCRIPTION
[4] DUNTKE685FM24/39 (MAIN Unit)					
R2018	VRS-CZ1JF101JY	AA		J	Resistor 100 1/16W Metal Oxide
R2019	VRS-CZ1JF104JY	AA		J	Resistor 100k 1/16W Metal Oxide
R2020	VRS-CZ1JF473JY	AA		J	Resistor 47k 1/16W Metal Oxide
R2022	VRS-CZ1JF103JY	AA		J	Resistor 10k 1/16W Metal Oxide
R2023	VRS-CZ1JF103JY	AA		J	Resistor 10k 1/16W Metal Oxide
R2024	VRS-CZ1JF223JY	AA		J	Resistor 22k 1/16W Metal Oxide
R2025	VRS-CZ1JF103JY	AA		J	Resistor 10k 1/16W Metal Oxide
R2026	VRS-CZ1JF103JY	AA		J	Resistor 10k 1/16W Metal Oxide
R2027	VRS-CZ1JF473JY	AA		J	Resistor 47k 1/16W Metal Oxide
R2028	VRS-CZ1JF103JY	AA		J	Resistor 10k 1/16W Metal Oxide
R2029	VRK-SB1FF101JY	AA		J	Resistor 100 1/32W Metal Composition
R2030	VRK-SA1JF100JY	AB		J	Resistor 10 1/16W Metal Composition
R2032	VRS-CZ1JF103JY	AA		J	Resistor 10k 1/16W Metal Oxide
R2033	VRS-CZ1JF103JY	AA		J	Resistor 10k 1/16W Metal Oxide
R2035	VRS-CZ1JF103JY	AA		J	Resistor 10k 1/16W Metal Oxide
R2039	VRS-CZ1JF106JY	AA		J	Resistor 10M 1/16W Metal Oxide
R2040	VRS-CZ1JF473JY	AA		J	Resistor 47k 1/16W Metal Oxide
R2041	VRS-CZ1JF272JY	AA		J	Resistor 2.7k 1/16W Metal Oxide
R2042	VRS-CZ1JF000JY	AA		J	Resistor 0 1/16W Metal Oxide
R2045	VRS-CZ1JF470JY	AA		J	Resistor 47 1/16W Metal Oxide
R2047	VRS-CZ1JF103JY	AA		J	Resistor 10k 1/16W Metal Oxide
R2048	VRS-CZ1JF103JY	AA		J	Resistor 10k 1/16W Metal Oxide
R2049	VRS-CZ1JF100JY	AA		J	Resistor 10 1/16W Metal Oxide
R2050	VRS-CZ1JF100JY	AA		J	Resistor 10 1/16W Metal Oxide
R2051	VRK-SA1JF100JY	AB		J	Resistor 10 1/16W Metal Composition
R2052	VRS-CZ1JF223JY	AA		J	Resistor 22k 1/16W Metal Oxide
R2054	VRS-CZ1JF223JY	AA		J	Resistor 22k 1/16W Metal Oxide
R2056	VRS-CZ1JF103JY	AA		J	Resistor 10k 1/16W Metal Oxide
R2057	VRS-CZ1JF103JY	AA		J	Resistor 10k 1/16W Metal Oxide
R2058	VRS-CZ1JF152JY	AA		J	Resistor 1.5k 1/16W Metal Oxide
R2059	VRS-CZ1JF100JY	AA		J	Resistor 10 1/16W Metal Oxide
R2060	VRS-CZ1JF103JY	AA		J	Resistor 10k 1/16W Metal Oxide
R2062	VRS-CZ1JF472JY	AA		J	Resistor 4.7k 1/16W Metal Oxide
R2064	VRS-CZ1JF103JY	AA		J	Resistor 10k 1/16W Metal Oxide
R2065	VRS-CZ1JF103JY	AA		J	Resistor 10k 1/16W Metal Oxide
R2066	VRS-CZ1JF103JY	AA		J	Resistor 10k 1/16W Metal Oxide
R2067	VRS-CZ1JF103JY	AA		J	Resistor 10k 1/16W Metal Oxide
R2068	VRK-SB1FF223JY	AA		J	Resistor 22k 1/32W Metal Composition
R2069	VRS-CZ1JF103JY	AA		J	Resistor 10k 1/16W Metal Oxide
R2070	VRS-CZ1JF223JY	AA		J	Resistor 22k 1/16W Metal Oxide
R2073	VRS-CZ1JF101JY	AA		J	Resistor 100 1/16W Metal Oxide
R2075	VRS-CZ1JF101JY	AA		J	Resistor 100 1/16W Metal Oxide
R2076	VRS-CZ1JF223JY	AA		J	Resistor 22k 1/16W Metal Oxide
R2078	VRS-CZ1JF103JY	AA		J	Resistor 10k 1/16W Metal Oxide
R2079	VRS-CZ1JF104JY	AA		J	Resistor 100k 1/16W Metal Oxide
R2402	VRS-CZ1JF470JY	AA		J	Resistor 47 1/16W Metal Oxide
R2405	VRS-CZ1JF103JY	AA		J	Resistor 10k 1/16W Metal Oxide
R2406	VRS-CZ1JF473JY	AA		J	Resistor 47k 1/16W Metal Oxide
R2407	VRK-SB1FF472JY	AA		J	Resistor 4.7k 1/32W Metal Composition
R2408	VRS-TV1JD101JY	AA		J	Resistor 100 1/10W Metal Oxide
R2409	VRS-TV1JD101JY	AA		J	Resistor 100 1/10W Metal Oxide
R2410	VRS-TV1JD101JY	AA		J	Resistor 100 1/10W Metal Oxide
R2417	VRS-CZ1JF000JY	AA		J	Resistor 0 1/16W Metal Oxide
R2428	VRS-CZ1JF473JY	AA		J	Resistor 47k 1/16W Metal Oxide
R2429	VRS-CZ1JF473JY	AA		J	Resistor 47k 1/16W Metal Oxide
R2446	VRS-CZ1JF103FY	AB		J	Resistor 10k 1/16W Metal Oxide
R2447	VRS-CZ1JF103FY	AB		J	Resistor 10k 1/16W Metal Oxide
R2448	VRK-SB1FF103JY	AA		J	Resistor 10k 1/32W Metal Composition
R2601	VRS-CZ1JF470JY	AA		J	Resistor 47 1/16W Metal Oxide
R2602	VRS-CZ1JF472JY	AA		J	Resistor 4.7k 1/16W Metal Oxide
R2604	VRS-CZ1JF000JY	AA		J	Resistor 0 1/16W Metal Oxide
R2605	VRS-CZ1JF000JY	AA		J	Resistor 0 1/16W Metal Oxide
R2606	VRS-CZ1JF000JY	AA		J	Resistor 0 1/16W Metal Oxide
R2607	VRS-CZ1JF000JY	AA		J	Resistor 0 1/16W Metal Oxide
R2608	VRS-CZ1JF000JY	AA		J	Resistor 0 1/16W Metal Oxide
R2609	VRS-CZ1JF000JY	AA		J	Resistor 0 1/16W Metal Oxide
R2610	VRS-CZ1JF000JY	AA		J	Resistor 0 1/16W Metal Oxide
R2611	VRS-CZ1JF470JY	AA		J	Resistor 47 1/16W Metal Oxide
R2612	VRS-CZ1JF000JY	AA		J	Resistor 0 1/16W Metal Oxide
R2614	VRS-CZ1JF000JY	AA		J	Resistor 0 1/16W Metal Oxide
R2615	VRS-CZ1JF000JY	AA		J	Resistor 0 1/16W Metal Oxide
R2616	VRS-CZ1JF000JY	AA		J	Resistor 0 1/16W Metal Oxide
R2617	VRS-CZ1JF000JY	AA		J	Resistor 0 1/16W Metal Oxide
R2618	VRS-CZ1JF000JY	AA		J	Resistor 0 1/16W Metal Oxide
R2623	VRS-CZ1JF101JY	AA		J	Resistor 100 1/16W Metal Oxide
R4401	VRS-CZ1JF470JY	AA		J	Resistor 47 1/16W Metal Oxide
R4402	VRS-CZ1JF470JY	AA		J	Resistor 47 1/16W Metal Oxide
R4403	VRS-CZ1JF470JY	AA		J	Resistor 47 1/16W Metal Oxide
R4404	VRS-CZ1JF470JY	AA		J	Resistor 47 1/16W Metal Oxide
R4405	VRS-CZ1JF470JY	AA		J	Resistor 47 1/16W Metal Oxide
R4406	VRS-CZ1JF470JY	AA		J	Resistor 47 1/16W Metal Oxide
R4408	VRK-SB1FF470JY	AA		J	Resistor 47 1/32W Metal Composition
R4409	VRK-SB1FF470JY	AA		J	Resistor 47 1/32W Metal Composition
R4410	VRS-CZ1JF472JY	AA		J	Resistor 4.7k 1/16W Metal Oxide
R4411	VRS-CZ1JF470JY	AA		J	Resistor 47 1/16W Metal Oxide

LC-42DH77E/RU/S/V, LC-46DH77E/RU/S/V

NO.	PARTS CODE	PRICE RANK	NEW MARK	PART DELIVERY	DESCRIPTION
[4] DUNTKE685FM24/39 (MAIN Unit)					
R4412	VRS-CZ1JF472JY	AA		J	Resistor 4.7k 1/16W Metal Oxide
R4413	VRS-CJ1JF470JY	AA		J	Resistor 47 1/16W Metal Oxide
R4415	VRS-CZ1JF103JY	AA		J	Resistor 10k 1/16W Metal Oxide
R4416	VRK-SB1FF472JY	AA		J	Resistor 4.7k 1/32W Metal Composition
R4421	VRK-SB1FF470JY	AA		J	Resistor 47 1/32W Metal Composition
R4422	VRK-SB1FF470JY	AA		J	Resistor 47 1/32W Metal Composition
R4424	VRS-CZ1JF103JY	AA		J	Resistor 10k 1/16W Metal Oxide
R4425	VRS-CZ1JF103JY	AA		J	Resistor 10k 1/16W Metal Oxide
R4427	VRK-SB1FF470JY	AA		J	Resistor 47 1/32W Metal Composition
R4428	VRK-SB1FF470JY	AA		J	Resistor 47 1/32W Metal Composition
R4429	VRK-SB1FF470JY	AA		J	Resistor 47 1/32W Metal Composition
R4430	VRS-CZ1JF471JY	AA		J	Resistor 470 1/16W Metal Oxide
R4435	VRS-CZ1JF103JY	AA		J	Resistor 10k 1/16W Metal Oxide
R4436	VRS-CZ1JF103JY	AA		J	Resistor 10k 1/16W Metal Oxide
R4437	VRS-CZ1JF103JY	AA		J	Resistor 10k 1/16W Metal Oxide
R4441	VRS-CZ1JF103JY	AA		J	Resistor 10k 1/16W Metal Oxide
R4443	VRS-CZ1JF470JY	AA		J	Resistor 47 1/16W Metal Oxide
R4468	VRS-CZ1JF103JY	AA		J	Resistor 10k 1/16W Metal Oxide
R4476	VRS-CZ1JF103JY	AA		J	Resistor 10k 1/16W Metal Oxide
R4478	VRS-CZ1JF103JY	AA		J	Resistor 10k 1/16W Metal Oxide
R4482	VRS-CZ1JF103JY	AA		J	Resistor 10k 1/16W Metal Oxide
R4484	VRS-CZ1JF103JY	AA		J	Resistor 10k 1/16W Metal Oxide
R4486	VRS-CZ1JF103JY	AA		J	Resistor 10k 1/16W Metal Oxide
R5001	VRS-CZ1JF680JY	AB		J	Resistor 68 1/16W Metal Oxide
R5002	VRS-CZ1JF330JY	AA		J	Resistor 33 1/16W Metal Oxide
R5003	VRS-CZ1JF330JY	AA		J	Resistor 33 1/16W Metal Oxide
R5004	VRS-CZ1JF330JY	AA		J	Resistor 33 1/16W Metal Oxide
R5005	VRS-CZ1JF330JY	AA		J	Resistor 33 1/16W Metal Oxide
R5006	VRS-CZ1JF330JY	AA		J	Resistor 33 1/16W Metal Oxide
R5007	VRS-CZ1JF330JY	AA		J	Resistor 33 1/16W Metal Oxide
R5008	VRS-CZ1JF330JY	AA		J	Resistor 33 1/16W Metal Oxide
R5009	VRS-CZ1JF680JY	AB		J	Resistor 68 1/16W Metal Oxide
R5010	VRS-CZ1JF680JY	AB		J	Resistor 68 1/16W Metal Oxide
R5011	VRS-CZ1JF680JY	AB		J	Resistor 68 1/16W Metal Oxide
R5012	VRK-SB1FF330JY	AA		J	Resistor 33 1/32W Metal Composition
R5013	VRK-SB1FF330JY	AA		J	Resistor 33 1/32W Metal Composition
R5014	VRK-SB1FF330JY	AA		J	Resistor 33 1/32W Metal Composition
R5015	VRS-CZ1JF330JY	AA		J	Resistor 33 1/16W Metal Oxide
R5016	VRS-CZ1JF124FY	AA		J	Resistor 120k 1/16W Metal Oxide
R5017	VRS-CZ1JF680JY	AB		J	Resistor 68 1/16W Metal Oxide
R5018	VRS-CZ1JF680JY	AB		J	Resistor 68 1/16W Metal Oxide
R5019	VRS-CZ1JF103JY	AA		J	Resistor 10k 1/16W Metal Oxide
R5020	VRS-CZ1JF472JY	AA		J	Resistor 4.7k 1/16W Metal Oxide
R5021	VRS-CZ1JF102FY	AA		J	Resistor 1k 1/16W Metal Oxide
R5022	VRS-CZ1JF102FY	AA		J	Resistor 1k 1/16W Metal Oxide
R5023	VRS-CZ1JF472JY	AA		J	Resistor 4.7k 1/16W Metal Oxide
R5024	VRS-CZ1JF103JY	AA		J	Resistor 10k 1/16W Metal Oxide
R5025	VRS-CZ1JF102FY	AA		J	Resistor 1k 1/16W Metal Oxide
R5026	VRK-SB1FF330JY	AA		J	Resistor 33 1/32W Metal Composition
R5027	VRS-CZ1JF102FY	AA		J	Resistor 1k 1/16W Metal Oxide
R5028	VRK-SB1FF330JY	AA		J	Resistor 33 1/32W Metal Composition
R5029	VRK-SB1FF330JY	AA		J	Resistor 33 1/32W Metal Composition
R5030	VRS-CZ1JF103JY	AA		J	Resistor 10k 1/16W Metal Oxide
R5031	VRS-CZ1JF330JY	AA		J	Resistor 33 1/16W Metal Oxide
R5032	VRS-CZ1JF330JY	AA		J	Resistor 33 1/16W Metal Oxide
R5033	VRS-CZ1JF330JY	AA		J	Resistor 33 1/16W Metal Oxide
R5034	VRS-CZ1JF330JY	AA		J	Resistor 33 1/16W Metal Oxide
R5035	VRS-CZ1JF330JY	AA		J	Resistor 33 1/16W Metal Oxide
R5036	VRS-CZ1JF330JY	AA		J	Resistor 33 1/16W Metal Oxide
R5037	VRS-CZ1JF330JY	AA		J	Resistor 33 1/16W Metal Oxide
R5038	VRS-CZ1JF330JY	AA		J	Resistor 33 1/16W Metal Oxide
R5039	VRS-CZ1JF103JY	AA		J	Resistor 10k 1/16W Metal Oxide
R5040	VRS-CZ1JF680JY	AB		J	Resistor 68 1/16W Metal Oxide
R5041	VRS-CZ1JF680JY	AB		J	Resistor 68 1/16W Metal Oxide
R5042	VRS-CZ1JF330JY	AA		J	Resistor 33 1/16W Metal Oxide
R5044	VRS-CZ1JF330JY	AA		J	Resistor 33 1/16W Metal Oxide
R5045	VRS-CZ1JF330JY	AA		J	Resistor 33 1/16W Metal Oxide
R5046	VRS-CZ1JF330JY	AA		J	Resistor 33 1/16W Metal Oxide
R5049	VRS-CZ1JF330JY	AA		J	Resistor 33 1/16W Metal Oxide
R5051	VRS-CZ1JF752JY	AB		J	Resistor 7.5k 1/16W Metal Oxide
R5052	VRS-CZ1JF752JY	AB		J	Resistor 7.5k 1/16W Metal Oxide
R5053	VRK-SB1FF000JY	AA		J	Resistor 0 1/32W Metal Composition
R5054	VRS-CZ1JF332JY	AA		J	Resistor 3.3k 1/16W Metal Oxide
R5055	VRS-CZ1JF332JY	AA		J	Resistor 3.3k 1/16W Metal Oxide
R5056	VRK-SB1FF000JY	AA		J	Resistor 0 1/32W Metal Composition
R5058	VRS-CZ1JF330JY	AA		J	Resistor 33 1/16W Metal Oxide
R5059	VRS-CZ1JF330JY	AA		J	Resistor 33 1/16W Metal Oxide
R5060	VRS-CZ1JF330JY	AA		J	Resistor 33 1/16W Metal Oxide
R5061	VRS-CZ1JF330JY	AA		J	Resistor 33 1/16W Metal Oxide
R5062	VRS-CZ1JF330JY	AA		J	Resistor 33 1/16W Metal Oxide
R5063	VRK-SB1FF330JY	AA		J	Resistor 33 1/32W Metal Composition
R5064	VRK-SB1FF330JY	AA		J	Resistor 33 1/32W Metal Composition
R5065	VRK-SB1FF330JY	AA		J	Resistor 33 1/32W Metal Composition
R5066	VRS-CZ1JF330JY	AA		J	Resistor 33 1/16W Metal Oxide
R5067	VRS-CZ1JF330JY	AA		J	Resistor 33 1/16W Metal Oxide

LC-42DH77E/RU/S/V, LC-46DH77E/RU/S/V

NO.	PARTS CODE	PRICE RANK	NEW MARK	PART DELIVERY	DESCRIPTION
[4] DUNTKE685FM24/39 (MAIN Unit)					
R5333	VRS-CZ1JF000JY	AA		J	Resistor 0 1/16W Metal Oxide
R5334	VRS-CZ1JF000JY	AA		J	Resistor 0 1/16W Metal Oxide
R5335	VRS-CZ1JF000JY	AA		J	Resistor 0 1/16W Metal Oxide
R5339	VRK-SB1FF472JY	AA		J	Resistor 4.7k 1/32W Metal Composition
R5340	VRK-SB1FF472JY	AA		J	Resistor 4.7k 1/32W Metal Composition
R5341	VRK-SB1FF472JY	AA		J	Resistor 4.7k 1/32W Metal Composition
R5342	VRK-SB1FF472JY	AA		J	Resistor 4.7k 1/32W Metal Composition
R5343	VRS-CZ1JF472JY	AA		J	Resistor 4.7k 1/16W Metal Oxide
R5344	VRK-SA1JF100JY	AB		J	Resistor 10 1/16W Metal Composition
R5345	VRK-SA1JF472JY	AA		J	Resistor 4.7k 1/16W Metal Composition
R5347	VRS-CZ1JF102JY	AA		J	Resistor 1k 1/16W Metal Oxide
R5348	VRK-SA1JF100JY	AB		J	Resistor 10 1/16W Metal Composition
R5350	VRS-CZ1JF103JY	AA		J	Resistor 10k 1/16W Metal Oxide
R7508	VRS-CZ1JF000JY	AA		J	Resistor 0 1/16W Metal Oxide
R7509	VRS-CZ1JF000JY	AA		J	Resistor 0 1/16W Metal Oxide
R7511	VRK-SA1JF222JY	AB		J	Resistor 2.2k 1/16W Metal Composition
R7512	VRS-CZ1JF102JY	AA		J	Resistor 1k 1/16W Metal Oxide
R7518	VRS-CZ1JF103JY	AA		J	Resistor 10k 1/16W Metal Oxide
R7519	VRS-CZ1JF392JY	AA		J	Resistor 3.9k 1/16W Metal Oxide
R7521	VRS-CZ1JF331JY	AA		J	Resistor 330 1/16W Metal Oxide
R7522	VRS-CZ1JF151JY	AA		J	Resistor 150 1/16W Metal Oxide
R7523	VRS-CZ1JF682JY	AA		J	Resistor 6.8k 1/16W Metal Oxide
R7524	VRS-CJ1JF470JY	AA		J	Resistor 47 1/16W Metal Oxide
R7525	VRS-CZ1JF470JY	AA		J	Resistor 47 1/16W Metal Oxide
R7527	VRS-CZ1JF103JY	AA		J	Resistor 10k 1/16W Metal Oxide
R7530	VRS-CZ1JF103JY	AA		J	Resistor 10k 1/16W Metal Oxide
R7531	VRS-CZ1JF470JY	AA		J	Resistor 47 1/16W Metal Oxide
R7544	VRS-CZ1JF103JY	AA		J	Resistor 10k 1/16W Metal Oxide
R7547	VRS-CZ1JF470JY	AA		J	Resistor 47 1/16W Metal Oxide
R7548	VRS-CZ1JF470JY	AA		J	Resistor 47 1/16W Metal Oxide
R7553	VRS-CZ1JF470JY	AA		J	Resistor 47 1/16W Metal Oxide
R7555	VRS-CZ1JF103JY	AA		J	Resistor 10k 1/16W Metal Oxide
R7560	VRS-CZ1JF561JY	AA		J	Resistor 560 1/16W Metal Oxide
R7561	VRS-CZ1JF564JY	AB		J	Resistor 560k 1/16W Metal Oxide
R8101	VRS-CZ1JF470JY	AA		J	Resistor 47 1/16W Metal Oxide
R8102	VRS-CZ1JF101JY	AA		J	Resistor 100 1/16W Metal Oxide
R8103	VRS-CZ1JF470JY	AA		J	Resistor 47 1/16W Metal Oxide
R8104	VRS-CZ1JF470JY	AA		J	Resistor 47 1/16W Metal Oxide
R8105	VRS-CZ1JF470JY	AA		J	Resistor 47 1/16W Metal Oxide
R8106	VRS-CZ1JF470JY	AA		J	Resistor 47 1/16W Metal Oxide
R8107	VRS-CZ1JF470JY	AA		J	Resistor 47 1/16W Metal Oxide
R8108	VRK-SB1FF330JY	AA		J	Resistor 33 1/32W Metal Composition
R8117	VRS-CZ1JF472JY	AA		J	Resistor 4.7k 1/16W Metal Oxide
R8118	VRS-CZ1JF472JY	AA		J	Resistor 4.7k 1/16W Metal Oxide
R8119	VRS-CZ1JF472JY	AA		J	Resistor 4.7k 1/16W Metal Oxide
R8124	VRS-CZ1JF473JY	AA		J	Resistor 47k 1/16W Metal Oxide
R8125	VRS-CZ1JF000JY	AA		J	Resistor 0 1/16W Metal Oxide
R8126	VRS-CZ1JF183FY	AA		J	Resistor 18k 1/16W Metal Oxide
R8127	VRS-CZ1JF912FY	AA		J	Resistor 9.1k 1/16W Metal Oxide
R8130	VRS-CZ1JF105JY	AA		J	Resistor 1M 1/16W Metal Oxide
R8131	VRS-CZ1JF470JY	AA		J	Resistor 47 1/16W Metal Oxide
R8132	VRS-CZ1JF470JY	AA		J	Resistor 47 1/16W Metal Oxide
R8133	VRS-CZ1JF470JY	AA		J	Resistor 47 1/16W Metal Oxide
R8134	VRS-CZ1JF470JY	AA		J	Resistor 47 1/16W Metal Oxide
R8135	VRS-CZ1JF330JY	AA		J	Resistor 33 1/16W Metal Oxide
R8136	VRS-CZ1JF330JY	AA		J	Resistor 33 1/16W Metal Oxide
R8137	VRK-SB1FF330JY	AA		J	Resistor 33 1/32W Metal Composition
R8138	VRK-SB1FF330JY	AA		J	Resistor 33 1/32W Metal Composition
R8139	VRK-SB1FF330JY	AA		J	Resistor 33 1/32W Metal Composition
R8140	VRK-SB1FF330JY	AA		J	Resistor 33 1/32W Metal Composition
R8141	VRK-SB1FF330JY	AA		J	Resistor 33 1/32W Metal Composition
R8144	VRS-CZ1JF000JY	AA		J	Resistor 0 1/16W Metal Oxide
R8153	VRS-CZ1JF102FY	AA		J	Resistor 1k 1/16W Metal Oxide
R8154	VRS-CZ1JF102FY	AA		J	Resistor 1k 1/16W Metal Oxide
R8156	VRS-CZ1JF470JY	AA		J	Resistor 47 1/16W Metal Oxide
R8165	VRS-CZ1JF000JY	AA		J	Resistor 0 1/16W Metal Oxide
R8167	VRS-CZ1JF103JY	AA		J	Resistor 10k 1/16W Metal Oxide
R8168	VRS-CZ1JF470JY	AA		J	Resistor 47 1/16W Metal Oxide
R8169	VRS-CZ1JF470JY	AA		J	Resistor 47 1/16W Metal Oxide
R8170	VRS-CZ1JF470JY	AA		J	Resistor 47 1/16W Metal Oxide
R8171	VRS-CZ1JF470JY	AA		J	Resistor 47 1/16W Metal Oxide
R8172	VRS-CZ1JF470JY	AA		J	Resistor 47 1/16W Metal Oxide
R8175	VRK-SB1FF470JY	AA		J	Resistor 47 1/32W Metal Composition
R8179	VRS-CZ1JF103JY	AA		J	Resistor 10k 1/16W Metal Oxide
R8180	VRS-CZ1JF470JY	AA		J	Resistor 47 1/16W Metal Oxide
R8181	VRS-CZ1JF470JY	AA		J	Resistor 47 1/16W Metal Oxide
R8182	VRS-CZ1JF470JY	AA		J	Resistor 47 1/16W Metal Oxide
R8183	VRS-CZ1JF470JY	AA		J	Resistor 47 1/16W Metal Oxide
R8184	VRS-CZ1JF103JY	AA		J	Resistor 10k 1/16W Metal Oxide
R8185	VRS-CZ1JF103JY	AA		J	Resistor 10k 1/16W Metal Oxide
R8186	VRS-CZ1JF103JY	AA		J	Resistor 10k 1/16W Metal Oxide
R8187	VRS-CZ1JF103JY	AA		J	Resistor 10k 1/16W Metal Oxide
R8188	VRS-CZ1JF220JY	AA		J	Resistor 22 1/16W Metal Oxide
R8189	VRS-CZ1JF220JY	AA		J	Resistor 22 1/16W Metal Oxide
R8301	VRS-CZ1JF750JY	AA		J	Resistor 75 1/16W Metal Oxide

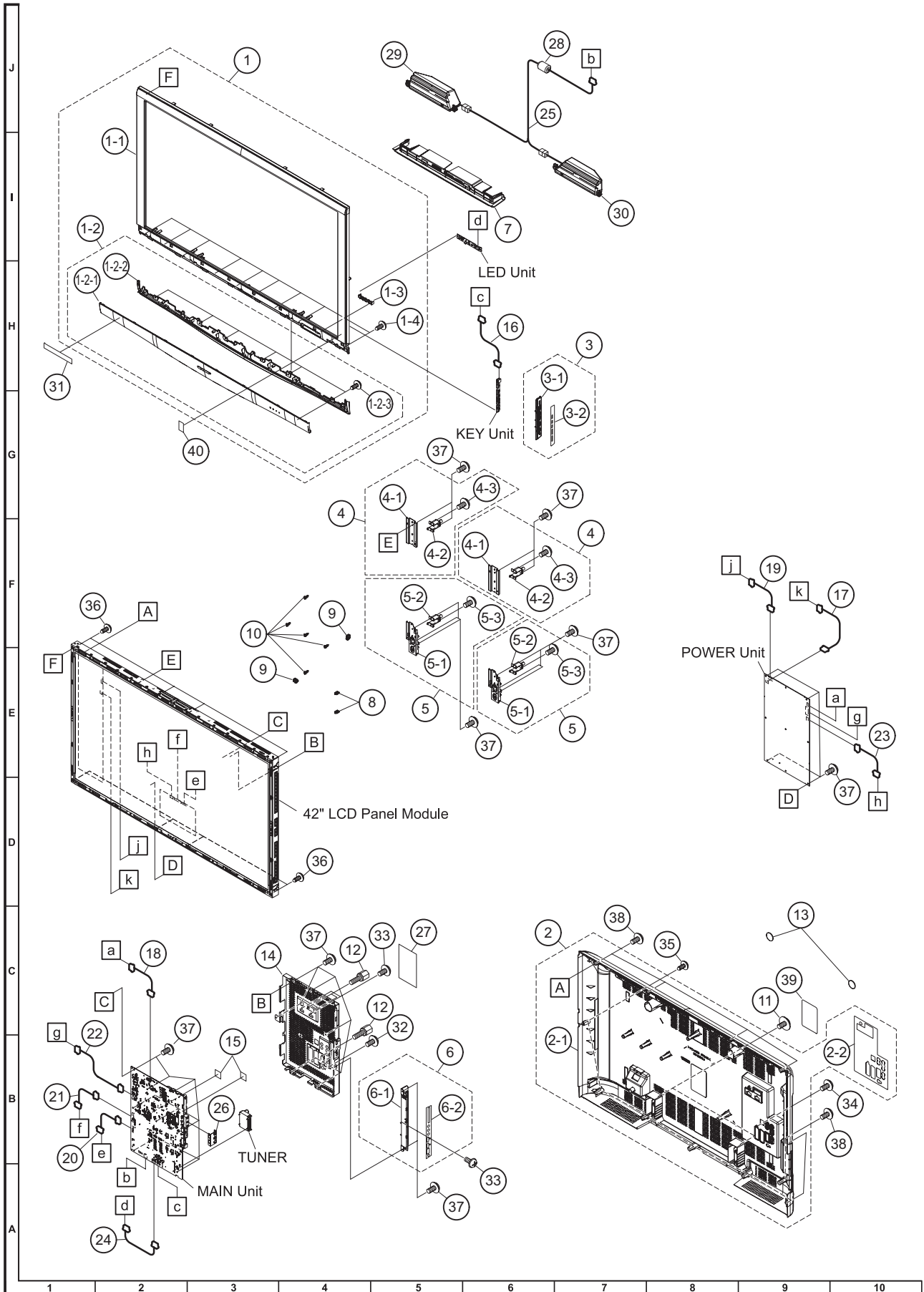
NO.	PARTS CODE	PRICE RANK	NEW MARK	PART DELIVERY	DESCRIPTION
[4] DUNTKE685FM24/39 (MAIN Unit)					
R8302	VRS-CZ1JF750JY	AA		J	Resistor 75 1/16W Metal Oxide
R8303	VRS-CZ1JF102FY	AA		J	Resistor 1k 1/16W Metal Oxide
R8304	VRS-CZ1JF102FY	AA		J	Resistor 1k 1/16W Metal Oxide
R8305	VRK-SB1FF000JY	AA		J	Resistor 0 1/32W Metal Composition
R8306	VRS-CZ1JF000JY	AA		J	Resistor 0 1/16W Metal Oxide
R8307	VRS-CZ1JF000JY	AA		J	Resistor 0 1/16W Metal Oxide
R8308	VRS-CZ1JF000JY	AA		J	Resistor 0 1/16W Metal Oxide
R8309	VRK-SB1FF000JY	AA		J	Resistor 0 1/32W Metal Composition
R8310	VRS-CZ1JF000JY	AA		J	Resistor 0 1/16W Metal Oxide
R8311	VRK-SB1FF000JY	AA		J	Resistor 0 1/32W Metal Composition
R8312	VRS-CZ1JF000JY	AA		J	Resistor 0 1/16W Metal Oxide
R8313	VRS-CZ1JF000JY	AA		J	Resistor 0 1/16W Metal Oxide
R8314	VRK-SB1FF000JY	AA		J	Resistor 0 1/32W Metal Composition
R8315	VRK-SB1FF000JY	AA		J	Resistor 0 1/32W Metal Composition
R8316	VRS-CZ1JF000JY	AA		J	Resistor 0 1/16W Metal Oxide
R8317	VRS-CZ1JF000JY	AA		J	Resistor 0 1/16W Metal Oxide
R8318	VRS-CZ1JF000JY	AA		J	Resistor 0 1/16W Metal Oxide
R8319	VRK-SB1FF000JY	AA		J	Resistor 0 1/32W Metal Composition
R8320	VRS-CZ1JF000JY	AA		J	Resistor 0 1/16W Metal Oxide
R8321	VRK-SB1FF000JY	AA		J	Resistor 0 1/32W Metal Composition
R8322	VRS-CZ1JF000JY	AA		J	Resistor 0 1/16W Metal Oxide
R8323	VRS-CZ1JF000JY	AA		J	Resistor 0 1/16W Metal Oxide
R8324	VRK-SB1FF000JY	AA		J	Resistor 0 1/32W Metal Composition
R8702	VRS-CZ1JF184JY	AA		J	Resistor 180k 1/16W Metal Oxide
R8712	VRS-CZ1JF682JY	AA		J	Resistor 6.8k 1/16W Metal Oxide
R8713	VRS-CZ1JF103JY	AA		J	Resistor 10k 1/16W Metal Oxide
R8718	VRK-SA1JF100JY	AB		J	Resistor 10 1/16W Metal Composition
R8722	VRS-CZ1JF102JY	AA		J	Resistor 1k 1/16W Metal Oxide
R8723	VRS-CZ1JF104JY	AA		J	Resistor 100k 1/16W Metal Oxide
R8729	VRS-CZ1JF680JY	AB		J	Resistor 68 1/16W Metal Oxide
R8731	VRS-CZ1JF000JY	AA		J	Resistor 0 1/16W Metal Oxide
R8732	VRS-CZ1JF101JY	AA		J	Resistor 100 1/16W Metal Oxide
R8733	VRS-CZ1JF680JY	AB		J	Resistor 68 1/16W Metal Oxide
R8734	VRS-CZ1JF680JY	AB		J	Resistor 68 1/16W Metal Oxide
R9101	VRK-SB1FF470JY	AA		J	Resistor 47 1/32W Metal Composition
R9102	VRK-SB1FF470JY	AA		J	Resistor 47 1/32W Metal Composition
R9103	VRK-SB1FF472JY	AA		J	Resistor 4.7k 1/32W Metal Composition
R9108	VRS-CZ1JF222JY	AA		J	Resistor 2.2k 1/16W Metal Oxide
R9109	VRS-CZ1JF222JY	AA		J	Resistor 2.2k 1/16W Metal Oxide
R9117	VRS-CZ1JF472JY	AA		J	Resistor 4.7k 1/16W Metal Oxide
R9134	VRS-CZ1JF472JY	AA		J	Resistor 4.7k 1/16W Metal Oxide
R9136	VRS-CZ1JF472JY	AA		J	Resistor 4.7k 1/16W Metal Oxide
R9137	VRS-CZ1JF472JY	AA		J	Resistor 4.7k 1/16W Metal Oxide
R9138	VRS-CZ1JF472JY	AA		J	Resistor 4.7k 1/16W Metal Oxide
R9139	VRS-CZ1JF472JY	AA		J	Resistor 4.7k 1/16W Metal Oxide
R9148	VRS-CZ1JF472JY	AA		J	Resistor 4.7k 1/16W Metal Oxide
R9151	VRS-CZ1JF472JY	AA		J	Resistor 4.7k 1/16W Metal Oxide
R9153	VRS-CZ1JF472JY	AA		J	Resistor 4.7k 1/16W Metal Oxide
R9155	VRS-CZ1JF472JY	AA		J	Resistor 4.7k 1/16W Metal Oxide
R9158	VRS-CZ1JF472JY	AA		J	Resistor 4.7k 1/16W Metal Oxide
R9159	VRS-CZ1JF472JY	AA		J	Resistor 4.7k 1/16W Metal Oxide
R9301	VRK-SB1FF470JY	AA		J	Resistor 47 1/32W Metal Composition
R9302	VRK-SB1FF470JY	AA		J	Resistor 47 1/32W Metal Composition
R9303	VRK-SB1FF470JY	AA		J	Resistor 47 1/32W Metal Composition
R9304	VRK-SB1FF470JY	AA		J	Resistor 47 1/32W Metal Composition
R9305	VRK-SB1FF470JY	AA		J	Resistor 47 1/32W Metal Composition
R9306	VRS-CZ1JF470JY	AA		J	Resistor 47 1/16W Metal Oxide
R9307	VRK-SB1FF470JY	AA		J	Resistor 47 1/32W Metal Composition
R9308	VRK-SB1FF470JY	AA		J	Resistor 47 1/32W Metal Composition
R9309	VRK-SB1FF470JY	AA		J	Resistor 47 1/32W Metal Composition
R9310	VRK-SB1FF470JY	AA		J	Resistor 47 1/32W Metal Composition
R9311	VRK-SB1FF470JY	AA		J	Resistor 47 1/32W Metal Composition
R9320	VRS-CZ1JF103JY	AA		J	Resistor 10k 1/16W Metal Oxide
R9321	VRS-CZ1JF103JY	AA		J	Resistor 10k 1/16W Metal Oxide
R9322	VRS-CZ1JF103JY	AA		J	Resistor 10k 1/16W Metal Oxide
R9323	VRS-CZ1JF103JY	AA		J	Resistor 10k 1/16W Metal Oxide
R9330	VRS-CZ1JF103JY	AA		J	Resistor 10k 1/16W Metal Oxide
R9333	VRS-CZ1JF472JY	AA		J	Resistor 4.7k 1/16W Metal Oxide
R9335	VRS-CZ1JF103JY	AA		J	Resistor 10k 1/16W Metal Oxide
R9336	VRK-SA1JF222JY	AB		J	Resistor 2.2k 1/16W Metal Composition
R9338	VRK-SA1JF103JY	AB		J	Resistor 10k 1/16W Metal Composition
R9339	VRK-SA1JF000JY	AB		J	Resistor 0 1/16W Metal Composition
R9341	VRS-CZ1JF103JY	AA		J	Resistor 10k 1/16W Metal Oxide
R9344	VRK-SA1JF472JY	AA		J	Resistor 4.7k 1/16W Metal Composition
R9601	VRS-CZ1JF3R3JY	AA		J	Resistor 3.3 1/16W Metal Oxide
R9602	VRS-CZ1JF122JY	AA		J	Resistor 1.2k 1/16W Metal Oxide
R9603	VRS-CZ1JF3R3JY	AA		J	Resistor 3.3 1/16W Metal Oxide
R9604	VRS-CZ1JF3R3JY	AA		J	Resistor 3.3 1/16W Metal Oxide
R9605	VRS-CZ1JF122JY	AA		J	Resistor 1.2k 1/16W Metal Oxide
R9606	VRS-CZ1JF103JY	AA		J	Resistor 10k 1/16W Metal Oxide
R9607	VRS-CZ1JF3R3JY	AA		J	Resistor 3.3 1/16W Metal Oxide
R9608	VRS-CZ1JF123JY	AA		J	Resistor 12k 1/16W Metal Oxide
R9609	VRS-CZ1JF101JY	AA		J	Resistor 100 1/16W Metal Oxide
R9610	VRS-CZ1JF103JY	AA		J	Resistor 10k 1/16W Metal Oxide
R9611	VRS-CZ1JF183FY	AA		J	Resistor 18k 1/16W Metal Oxide

LC-42DH77E/RU/S/V, LC-46DH77E/RU/S/V

NO.	PARTS CODE	PRICE RANK	NEW MARK	PART DELIVERY	DESCRIPTION
[4] DUNTKE685FM24/39 (MAIN Unit)					
R9612	VRS-CZ1JF752FY	AA		J	Resistor 7.5k 1/16W Metal Oxide
R9613	VRS-CZ1JF123JY	AA		J	Resistor 12k 1/16W Metal Oxide
R9614	VRS-CZ1JF153FY	AA		J	Resistor 15k 1/16W Metal Oxide
R9616	VRS-CZ1JF133FY	AA		J	Resistor 13k 1/16W Metal Oxide
R9617	VRS-CZ1JF392FY	AA		J	Resistor 3.9k 1/16W Metal Oxide
R9618	VRS-CZ1JF472JY	AA		J	Resistor 4.7k 1/16W Metal Oxide
R9619	VRS-CZ1JF102JY	AA		J	Resistor 1k 1/16W Metal Oxide
R9620	VRS-CZ1JF101JY	AA		J	Resistor 100 1/16W Metal Oxide
R9621	VRS-CZ1JF333JY	AA		J	Resistor 33k 1/16W Metal Oxide
R9623	VRS-CZ1JF822FY	AA		J	Resistor 8.2k 1/16W Metal Oxide
R9625	VRS-CZ1JF433FY	AA		J	Resistor 43k 1/16W Metal Oxide
R9627	VRS-CZ1JF103JY	AA		J	Resistor 10k 1/16W Metal Oxide
R9628	VRS-CZ1JF333JY	AA		J	Resistor 33k 1/16W Metal Oxide
R9630	VRS-CZ1JF101JY	AA		J	Resistor 100 1/16W Metal Oxide
R9632	VRS-CZ1JF332FY	AA		J	Resistor 3.3k 1/16W Metal Oxide
R9634	VRS-CZ1JF123FY	AA		J	Resistor 12k 1/16W Metal Oxide
R9635	VRS-CZ1JF163FY	AB		J	Resistor 16k 1/16W Metal Oxide
R9636	VRS-CZ1JF103JY	AA		J	Resistor 10k 1/16W Metal Oxide
R9637	VRS-CZ1JF103JY	AA		J	Resistor 10k 1/16W Metal Oxide
R9640	VRS-CZ1JF302FY	AA		J	Resistor 3k 1/16W Metal Oxide
R9641	VRS-CZ1JF272FY	AA		J	Resistor 2.7k 1/16W Metal Oxide
R9644	VRS-CZ1JF101JY	AA		J	Resistor 100 1/16W Metal Oxide
R9645	VRS-CZ1JF103JY	AA		J	Resistor 10k 1/16W Metal Oxide
R9646	VRS-CZ1JF103JY	AA		J	Resistor 10k 1/16W Metal Oxide
R9647	VRS-CZ1JF103JY	AA		J	Resistor 10k 1/16W Metal Oxide
R9648	VRS-CZ1JF473JY	AA		J	Resistor 47k 1/16W Metal Oxide
R9649	VRS-CZ1JF103JY	AA		J	Resistor 10k 1/16W Metal Oxide
R9651	VRS-CZ1JF102JY	AA		J	Resistor 1k 1/16W Metal Oxide
R9652	VRS-CZ1JF000JY	AA		J	Resistor 0 1/16W Metal Oxide
R9654	VRS-CZ1JF3R3JY	AA		J	Resistor 3.3 1/16W Metal Oxide
R9655	VRS-CZ1JF3R3JY	AA		J	Resistor 3.3 1/16W Metal Oxide
R9656	VRS-CZ1JF3R3JY	AA		J	Resistor 3.3 1/16W Metal Oxide
R9657	VRS-CZ1JF3R3JY	AA		J	Resistor 3.3 1/16W Metal Oxide
R9660	VRS-CZ1JF822FY	AA		J	Resistor 8.2k 1/16W Metal Oxide
R9661	VRS-CZ1JF101JY	AA		J	Resistor 100 1/16W Metal Oxide
R9662	VRS-CZ1JF101JY	AA		J	Resistor 100 1/16W Metal Oxide
R9663	VRS-CZ1JF683JY	AA		J	Resistor 68k 1/16W Metal Oxide
R9664	VRS-CZ1JF153FY	AA		J	Resistor 15k 1/16W Metal Oxide
R9665	VRS-CZ1JF473FY	AA		J	Resistor 47k 1/16W Metal Oxide
RDA5001	PRDARA667WJFW	AG	N	J	Heat Sink
RDA8101	PRDARA607WJFW	AL	N	J	Heat Sink
SC501	QSOCZA161WJZZ	AG		J	Socket 21Pin (INPUT2)
SC502	QSOCZA161WJZZ	AG		J	Socket 21Pin (INPUT1)
SC1501	QSOCZA171WJZZY	AF		J	Socket 23Pin(HDMI2/TMDS Input6)
SC1502	QSOCZA171WJZZY	AF		J	Socket 23Pin(HDMI1/TMDS Input5)
SC1504	QSOCNA1716WJZZ	AM		J	Socket 17Pin
SC2401	QSOCNA1715WJZZ	AL		J	Socket 11Pin
SC2601	QCNCWA671WJQZY	AH		J	Socket 41Pin(LW)
SC4401	QSOCJA004WJZZQ	AV	N	J	Socket 68Pin
SC5301	QSOCZA072WJZZQ	AH		J	Socket 23Pin(HDMI 3/TMDS Input7)
SC5302	QSOCZA072WJZZQ	AH		J	Socket 23Pin(HDMI 4/TMDS Input8)
SC9301	QCNCWA562WJQZY	AF		J	Connector 60Pin(PC Card)
TH2001	VHMH1103J03-1Y	AC		J	Thermistor
TU7501	RTUDAA019WJQZ	AY	N	P	Tuner (LC-42DH77E/RU/S/V)
TU7501	RTUDAA019WJQZ	AZ	N	S	Tuner (LC-46DH77E/RU/S/V)
VA8101	RH-VXA194WJZZY	AC		J	Varistor AVRL161A1R1NTB
VA8102	RH-VXA194WJZZY	AC		J	Varistor AVRL161A1R1NTB
X1301	RCRSCA086WJZZY	AG		J	Crystal 27MHz/10.7pF
X2001	RCRSC0032TAZZY	AG		J	Crystal 32.768kHz
X5001	RCRUAA098WJQZY	AU	N	J	Crystal 30MHz
X7501	RCRSCA112WJZZY	AE		J	Crystal 20.25MHz
X8102	RCRSCA174WJQZY	AG		J	Crystal 24MHz
X8702	RCRSCA086WJZZY	AG		J	Crystal 27MHz/10.7pF
N	GCOVAC895WJ1A	AF	N	J	Cover (CI-CARD)
N	PSPA3B313WJKZ	AC		J	Spacer (TRIDENT IC)
N	PSPA3C018WJKZ	AL		J	Spacer
N	XBPSN20P14JS0	AB		J	Screw, x2 (CARD SLOT)
[5] DUNTKF096FM02 (LED Unit)					
C101	VCKYCY1HF103ZY	AA		J	Capacitor 0.01 50V Ceramic
C102	VCEASX1CN106MY	AC		J	Capacitor 10 16V Electrolytic
C103	VCEASY1CN107MY	AC		J	Capacitor 100 16V Electrolytic
C104	VCKYTV1CF225ZY	AB		J	Capacitor 2.2 16V Ceramic
D102	RH-PX0421CEZZY	AD		J	Photodiode CL-165HR/YG-D-T
D103	RH-PX0421CEZZY	AD		J	Photodiode CL-165HR/YG-D-T
D104	RH-EXA092WJZZY	AB		J	Zener Diode UDZSNPTE-1712B
IC101	VHIGA1S100W-1Y	AE		J	IC GA1A1S100WP
P102	QPLGNA330WJZZY	AD		J	Plug 10Pin(RA)
Q102	VS2SC3928AR-1Y	AB		J	Transistor 2SC3928A-T112-1R
Q103	VS2SC3928AR-1Y	AB		J	Transistor 2SC3928A-T112-1R
Q104	VS2SC3928AR-1Y	AB		J	Transistor 2SC3928A-T112-1R
Q105	VS2SC3928AR-1Y	AB		J	Transistor 2SC3928A-T112-1R
R103	VRS-CY1JF161JY	AA		J	Resistor 160 1/16W Metal Oxide
R105	VRS-CJ1JF103JY	AA		J	Resistor 10k 1/16W Metal Oxide
R106	VRS-CY1JF223JY	AA		J	Resistor 22k 1/16W Metal Oxide

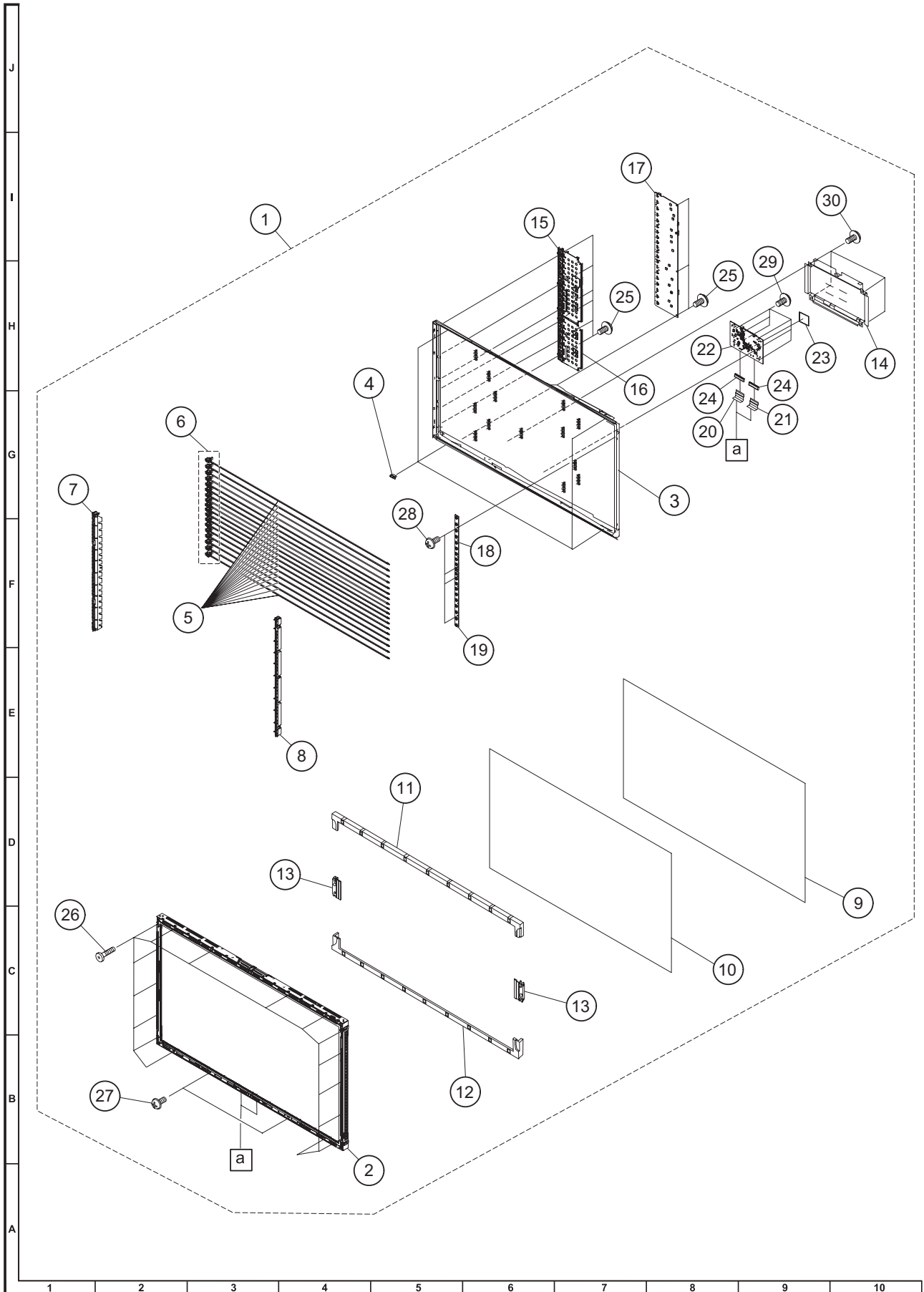
NO.	PARTS CODE	PRICE RANK	NEW MARK	PART DELIVERY	DESCRIPTION
[5] DUNTKF096FM02 (LED Unit)					
R107	VRS-CY1JF393JY	AA		J	Resistor 39k 1/16W Metal Oxide
R110	VRS-CY1JF103JY	AA		J	Resistor 10k 1/16W Metal Oxide
R113	VRS-CY1JF000JY	AA		J	Resistor 0 1/16W Metal Oxide
R114	VRS-CY1JF161JY	AA		J	Resistor 160 1/16W Metal Oxide
R115	VRS-CY1JF821JY	AA		J	Resistor 820 1/16W Metal Oxide
R116	VRS-CY1JF273JY	AA		J	Resistor 27k 1/16W Metal Oxide
R120	VRS-CY1JF101JY	AA		J	Resistor 100 1/16W Metal Oxide
RMC101	RRMCUA053WJZZ	AE		J	IR Receiver module
SLD101	PSLDPA076WJFW	AD		J	Shield Case (IR Receiver)
[6] DUNTKE266FM01 (KEY Unit)					
D151	RH-EX0646GEZZY	AA		J	Zener Diode MTZJT-7215B
D152	RH-EX0646GEZZY	AA		J	Zener Diode MTZJT-7215B
D155	RH-EX0646GEZZY	AA		J	Zener Diode MTZJT-7215B
R152	VRD-RA2BE123JY	AA		J	Resistor 12k 1/8W Carbon
R154	VRD-RA2BE123JY	AA		J	Resistor 12k 1/8W Carbon
R151	VRD-RA2BE822JY	AA		J	Resistor 8.2k 1/8W Carbon
R153	VRD-RA2BE822JY	AA		J	Resistor 8.2k 1/8W Carbon
S151	QSW-K0003AJZZ+	AB		J	Switch CH-UP
S152	QSW-K0003AJZZ+	AB		J	Switch CH-DOWN
S153	QSW-K0003AJZZ+	AB		J	Switch INPUT
S154	QSW-K0003AJZZ+	AB		J	Switch VOL-UP
S155	QSW-K0003AJZZ+	AB		J	Switch VOL-DOWN
S156	QSW-K0003AJZZ+	AB		J	Switch MENU
S157	QSW-K0003AJZZ+	AB		J	Switch POWER
P151	QPLGNA059WJZZ	AC		J	Plug 5pin (KM)

[7] CABINET PARTS (LC-42DH77E/RU/S/V)



NO.	PARTS CODE	PRICE RANK	NEW MARK	PART DELIVERY	DESCRIPTION
[7] CABINET PARTS (LC-42DH77E/RU/S/V)					
1	CCABAC219WJ02	BQ	N	P	Front Cabinet Ass'y
1-1	Not Available	-	N	-	Front Cabinet
1-2	Not Available	-	N	-	Bottom Dec Ass'y
1-2-1	Not Available	-	N	-	Bottom Dec (A) Ass'y
1-2-2	Not Available	-	N	-	Bottom Dec (B) Ass'y
1-2-3	XEBSN40P10000	AB		J	Screw, x6 (DEC-AB FIX)
1-3	Not Available	-		-	LED Decoration
1-4	XEBSN40P10000	AB		J	Screw, x9 (DEC ASSY FIX)
2	CCABBB425WJ01	BM	N	P	Back Cabinet Ass'y
2-1	Not Available	-	N	-	Back Cabinet
2-2	Not Available	-	N	-	Terminal Label
3	CCOVAC952WJ04			P	Control Cover Ass'y
3-1	Not Available	-	N	-	Control Cover
3-2	Not Available	-	N	-	Control Label
4	CANGKC098WJ01	AH	N	P	Vesa Angle Top Ass'y, x2
4-1	Not Available	-	N	-	Base Angle Top
4-2	Not Available	-	N	-	Vesa Angle
4-3	XHPS730P06WS0	AA		J	Screw
5	CANGKC099WJ01	AN	N	P	Vesa Angle Bottom Ass'y, x2
5-1	Not Available	-	N	-	Base Angle Bottom
5-2	Not Available	-	N	-	Vesa Angle
5-3	XHPS730P06WS0	AA		J	Screw
6	CCOVAD246WJ02	AQ	N	P	Side AV Cover Ass'y
6-1	Not Available	-	N	-	Side AV Cover
6-2	Not Available	-	N	-	Side AV Label
7	GCOVAD248WJ1A	AK		P	Bottom Cover
8	LHLDWA048WJKZ	AB		J	Wire Holder, x2 (SP L)
9	LHLDWA143WJKZ	AC		J	Wire Holder, x2 (CABLE)
10	LHLDZA934WJKZ	AB		J	Power PWB Holder, x5
11	LX-BZA170WJF9	AC		P	Screw, x2 (Vesa Boss)
12	NSFTZA237WJFN	AC		J	Shaft, x4 (D-SUB)
13	PSHEPA543WJZZ	AA	N	P	Sheet For Vesa, x2
14	PSLDMB539WJFW	AP	N	P	Full Shield
15	PSPA2C237WJKZ	AH	N	P	Cooling Sheet, x2
16	QCNW-H951WJQZ	AF	N	P	Connecting Cord (KM)
17	QCNW-H852WJQZ	AE	N	P	Connecting Cord (LA)
18	QCNW-H853WJQZ	AG	N	P	Connecting Cord (LB1)
19	QCNW-H854WJQZ	AE	N	P	Connecting Cord (LB2)
20	QCNW-H856WJQZ	AF	N	P	Connecting Cord (LP)
21	QCNW-H857WJQZ	BA	N	P	Connecting Cord (LW)
22	QCNW-H858WJQZ	AN	N	P	Connecting Cord (PD)
23	QCNW-H950WJQZ	AE	N	P	Connecting Cord (PL)
24	QCNW-H848WJQZ	AH		P	Connecting Cord (RA)
25	QCNW-H855WJQZ	AH	N	P	Connecting Cord (SP)
26	QEARPA339WJFW	AB	N	P	Earth Plate
27	QEARZA125WJZZ	AH		P	Earth Plate (90 x 70)
28	RCORF0103CEZZ	AK		J	Core (SP Wire)
29	RSP-ZA383WJZZ	AV	N	P	Speaker (L)
30	RSP-ZA384WJZZ	AV	N	P	Speaker (R)
31	TLABZC085WJZZ	AF		P	POP Label (LC-42DH77E/S/V)
31	TLABZC086WJZZ	AF		P	POP Label (LC-42DH77RU)
32	XBBS730P04000	AA		J	Screw (TUN/SHIELD)
33	XBPS830P06000	AA		J	Screw, x3 (HDMI)
34	XEBS930P08000	AA		J	Screw (21PIN)
35	XEBS940P16000	AB		J	Screw, x7 (CAB-B FIX)
36	XEBSN40P10000	AB		J	Screw, x8 (LCD-PANEL)
37	XHPS730P06WS0	AA		J	Screw, x30 (ANG/PWB FIX)
38	XHPS730P10WS0	AA		P	Screw, x5 (CAB-B)
39	TLABNC117WJZZ	AB		P	Model Label
40	TLABZB406WJZZ	AC		P	EU ECO Label (LC-42DH77E/S/V)

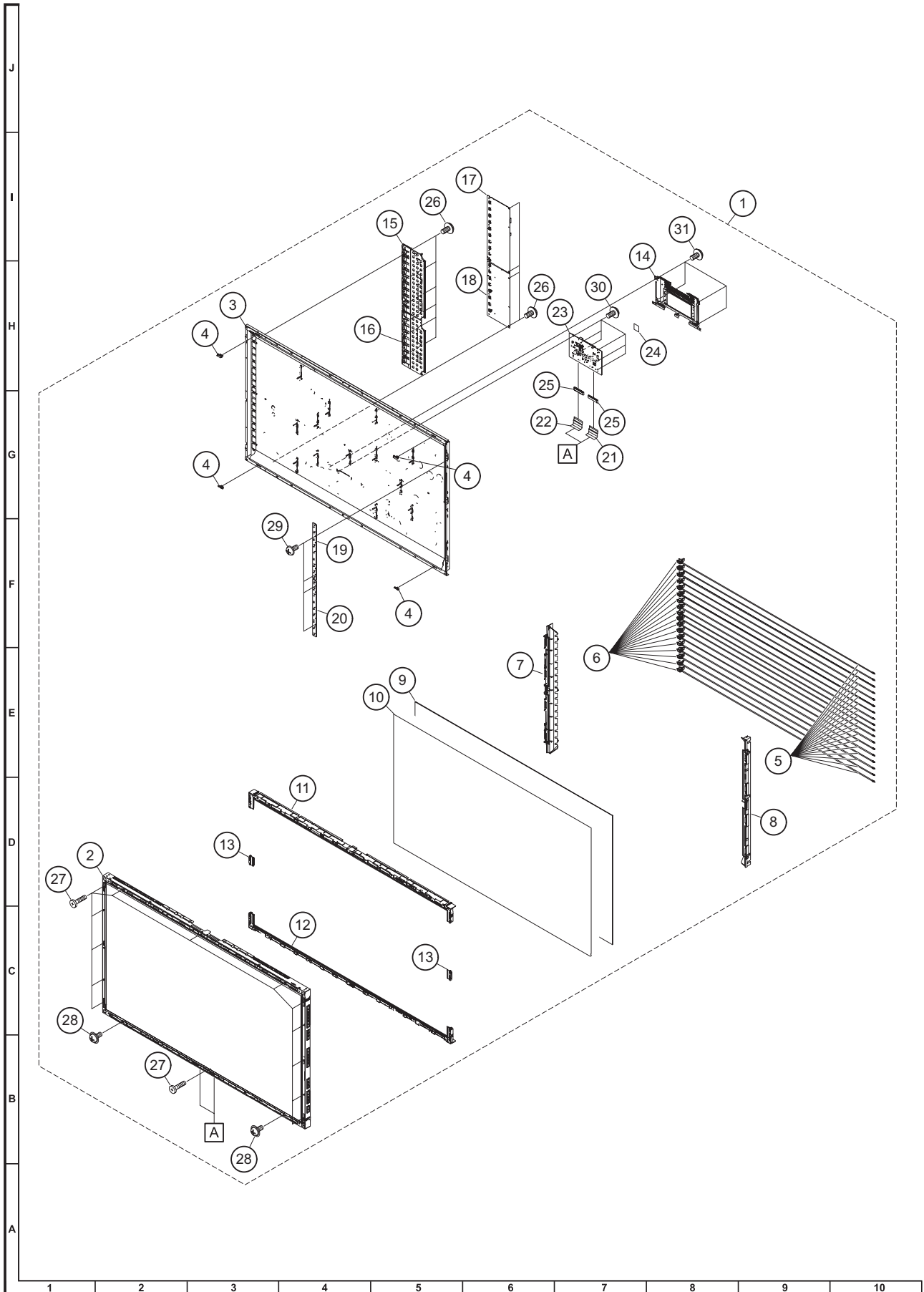
[8] LCD PANEL MODULE ASSEMBLY (LC-42DH77E/RU/S/V)



NO.	PARTS CODE	PRICE RANK	NEW MARK	PART DELIVERY	DESCRIPTION
[8] LCD PANEL MODULE ASSEMBLY (LC-42DH77E/RU/S/V)					
1	R1LK420D3LW80Y	DN	N	P	42" LCD Panel Module
2	Not Available	-		-	BEZEL Ass'y
3	CCHSMA552WJ01			J	Back Light Chassis Ass'y
4	LHLDZA963WJKZ	AB		J	Holder, x4
5	RLMPLA039WJN1	AQ		J	Lamp, x18
6	QSOCFA005WJZZ	AD		J	Socket, x18
7	CHLDZB347WJ01	AT		J	Lamp Holder Unit
8	CHLDZB348WJ01	AT		J	Lamp Holder Unit
9	PCOVUA141WJZZ	AZ		J	Diffusion Plate
10	PSHEPA872WJZZ	AX		J	Lens Sheet
11	CHLDZB335WJ01			J	Panel Chassis unit
12	CHLDZB337WJ01			J	Panel Chassis unit
13	CHLDZB381WJ01			J	Sheet Holder Unit, x2
14	CSLDMB528WJ01			J	LCD Control Unit Cover
15	PCOVWA036WJKZ	AM		J	Cover
16	PCOVWA037WJKZ	AL		J	Cover
17	RUNTKA534WJZZ	BP		J	INVERTER Unit
18	RUNTKA536WJZZ	AP		J	GND-PWB
19	RUNTKA537WJZZ	AP		J	GND-PWB
20	QPWBM0567TPZZ	AG		J	SC-FPC
21	QPWBM0570TPZZ	AG		J	SC-FPC
22	CPWBX4023TPXE	BW		J	LCD Control Unit
23	PSHEP2941TPZZ			J	Heat Radiation Sheet (for LCD Control unit)
24	RCORFA061WJZZ	AG		J	Ferrite Core, x2
25	XHPS830P06WS0	AA		J	Screw, x9 (for fixing Inverter Unit x3, for fixing Cover x6)
26	LX-HZA039WJF7	AB		J	Screw, x16 (for fixing Bezel Ass'y)
27	LX-HZA047WJF7	AB		J	Screw, x2 (for fixing Bezel Ass'y)
28	LX-HZA046WJF7	AB		J	Screw, x4 (for fixing GND-PWB)
29	LX-HZA045WJF7	AB		J	Screw, x6 (for fixing LCD Control unit)
30	XHPS730P06WS0	AA		J	Screw, x4 (for fixing LCD Control unit Cover)

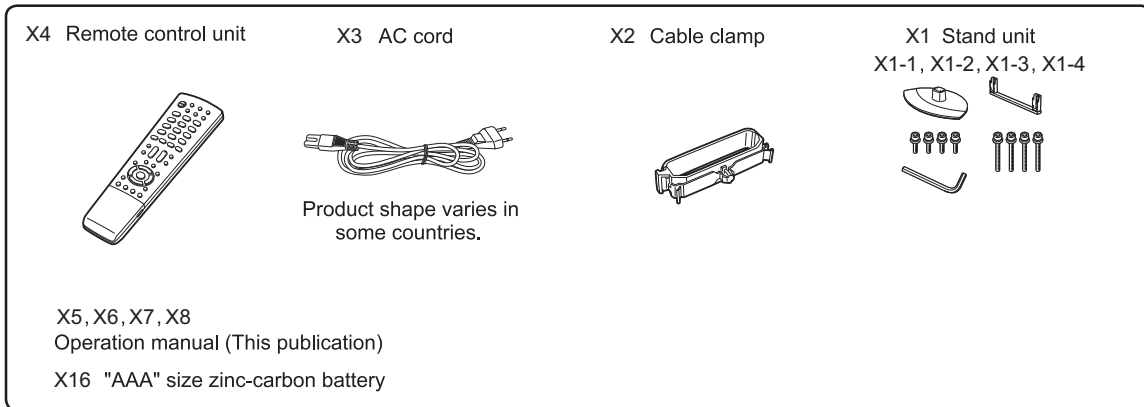
NO.	PARTS CODE	PRICE RANK	NEW MARK	PART DELIVERY	DESCRIPTION
[9] CABINET PARTS (LC-46DH77E/RU/S/V)					
1	CCABAC209WJ01	BH	N	S	Front Cabinet Ass'y
1-1	Not Available	-	N	-	Front Cabinet
1-2	CDECQB131WJ02	BH	N	S	Bottom Dec Ass'y
1-2-1	Not Available	-	N	-	Bottom Dec (A) Ass'y
1-2-2	Not Available	-	N	-	Bottom Dec (B) Ass'y
1-2-3	XEBSN40P10000	AB		J	Screw, x6 (DEC-AB FIX)
1-3	Not Available	-	N	-	LED Decoration
1-4	XEBSN40P10000	AB		J	Screw, x8 (CAB-A - DEC FIX)
2	CCABBB417WJ01	BP	N	S	Back Cabinet Ass'y
2-1	Not Available	-	N	-	Back Cabinet
2-2	HINDPD259WJSA	AM	N	S	Terminal Label
3	CCOVAC952WJ02	AG		S	Control Cover Ass'y
3-1	Not Available	-	N	-	Control Cover
3-2	HINDPC965WJSA	AE	N	S	Control Label
4	CANGKC098WJ01	AH	N	S	Vesa Angle Top Ass'y, x2
4-1	Not Available	-	N	-	Base Angle Top
4-2	Not Available	-	N	-	Vesa Angle
4-3	XHPS730P06WS0	AA		J	Screw
5	CANGKC099WJ01	AN	N	S	Vesa Angle Bottom Ass'y, x2
5-1	Not Available	-	N	-	Base Angle Bottom
5-2	Not Available	-	N	-	Vesa Angle
5-3	XHPS730P06WS0	AA		J	Screw
6	CCOVAD246WJ01	AM	N	S	Side AV Cover Ass'y
6-1	Not Available	-	N	-	Side AV Cover
6-2	HINDPD186WJSA	AD		S	Side AV Label
7	GCOVAD248WJ1A	AP	N	S	Bottom Cover
8	LHLDWA133WJKZ	AC		J	Wire Holder (CABLE)
9	LHLDZA934WJKZ	AB		J	Power PWB Holder, x3
10	LX-BZA170WJF9	AB		S	Screw, x2 (CAB-B)
11	NSFTZA237WJFN	AC		J	Shaft, x4 (D-SUB)
12	PSHEPA543WJZZ	AA		S	Diffusion Sheet, x2
13	PSLDMB539WJFW	AQ	N	S	Full Shield
14	PSPAZC237WJKZ	AH	N	S	Cooling Sheet, x2
15	QCNW-H324WJQZ	AF		S	Connecting Cord (KM)
16	QCNW-H339WJQZ	AE		S	Connecting Cord (LA)
17	QCNW-H332WJQZ	AG		S	Connecting Cord (LB1)
18	QCNW-H764WJQZ	AE		S	Connecting Cord (LB2)
19	QCNW-H753WJQZ	AF		S	Connecting Cord (LP)
20	QCNW-H755WJQZ	BA		S	Connecting Cord (LW)
21	QCNW-H336WJQZ	AK		S	Connecting Cord (PD)
22	QCNW-H697WJQZ	AE		S	Connecting Cord (PL)
23	QCNW-H956WJQZ	AG	N	S	Connecting Cord (RA)
24	QCNW-H957WJQZ	AH	N	S	Connecting Cord (SP)
25	QEARPA339WJFW	AC	N	S	Earth Plate
26	QEARZA145WJZZ	AG	N	S	Earth Plate (110*60 E05R)
27	RCORF0103CEZZ	AK		J	Core (SP)
28	RCORFA012WJZZ	AG		J	Core (PD)
29	RCORFA023WJZZ	AK		J	Core (SP L)
30	RSP-ZA383WJZZ	AW	N	S	Speaker (L)
31	RSP-ZA384WJZZ	AW	N	S	Speaker (R)
32	TLABZC085WJZZ	AF		S	POP Label (LC-46DH77E/S/V)
32	TLABZC086WJZZ	AG		S	POP Label (LC-46DH77RU)
33	XBBS730P04000	AA		J	Screw (TUN/SHIELD)
34	XBPS830P06000	AA		J	Screw, x3 (HDMI)
35	XEBS930P08000	AA		J	Screw (21PIN)
36	XEBS940P16000	AB		J	Screw, x7 (CAB-B FIX)
37	XEBSN40P10000	AB		J	Screw, x8 (LCD-HLD FIX)
38	XHPS730P06WS0	AA		J	Screw, x32 (PWB ETC)
39	XHPS730P10WS0	AA		S	Screw, x4 (CAB-B)
40	TLABNC117WJZZ	AC		S	Model Label
41	TLABZB406WJZZ	AC		S	EU ECO Label S (LC-46DH77E/S/V)

[10] LCD PANEL MODULE ASSEMBLY (LC-46DH77E/RU/S/V)



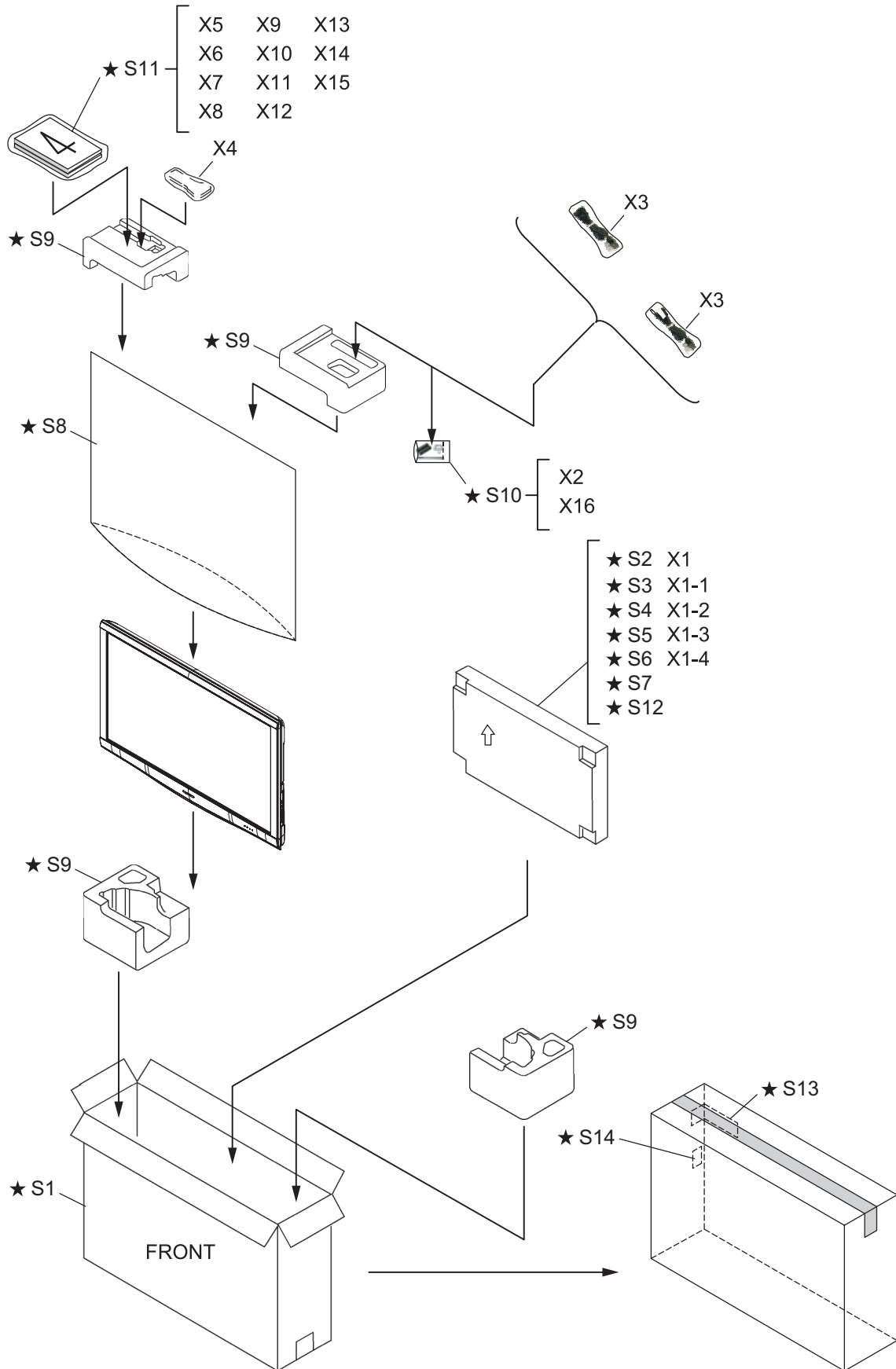
NO.	PARTS CODE	PRICE RANK	NEW MARK	PART DELIVERY	DESCRIPTION
[10] LCD PANEL MODULE ASSEMBLY (LC-46DH77E/RU/S/V)					
1	R1LK460D3LW8AY		N	J	46" LCD Panel Module
2	Not Available	-		-	BEZEL Ass'y
3	CCHSMA553WJ01			J	Back Light Chassis Ass'y
4	LHLDZA963WJKZ	AB		J	Holder, x4
5	RLMPLA038WJN1	AR		J	Lamp, x18
6	QSOCFA002WJZZ	AD		J	Socket, x18
7	CHLDZB349WJ01	AU		J	Lamp Holder Unit
8	CHLDZB350WJ01	AU		J	Lamp Holder Unit
9	PCOVUA113WJZZ	BA		J	Diffusion Plate
10	PSHEPA873WJZZ	AX		J	Lens Sheet
11	CHLDZB383WJ01			J	Panel Chassis unit
12	CHLDZB385WJ01			J	Panel Chassis unit
13	CHLDZB382WJ01			J	Sheet Holder Unit, x2
14	CSLDMB528WJ01			J	LCD Control Unit Cover
15	PCOVWA038WJKZ	AM		J	Cover
16	PCOVWA039WJKZ	AM		J	Cover
17	RUNTKA538WJZZ	BF		J	INVERTER Unit
18	RUNTKA539WJZZ	BF		J	INVERTER Unit
19	RUNTKA540WJZZ	AP		J	GND-PWB
20	RUNTKA541WJZZ	AP		J	GND-PWB
21	QPWBM0782TPZZ	AG		J	FPC
22	QPWBM0783TPZZ	AG		J	FPC
23	CPWBX4023TPXA			J	LCD Control Unit
24	PSHEP2941TPZZ			J	Heat Radiation Sheet (for LCD Control unit)
25	RCORFA061WJZZ	AG		J	Ferrite Core, x2
26	XHPS830P06WS0	AA		J	Screw, x10 (for fixing Inverter Unit x4, for fixing Cover x6)
27	LX-HZA039WJF7	AB		J	Screw, x14 (for fixing Bezel Ass'y)
28	LX-HZA047WJF7	AB		J	Screw, x2 (for fixing Bezel Ass'y)
29	LX-HZA046WJF7	AB		J	Screw, x4 (for fixing GND-PWB)
30	LX-HZA045WJF7	AB		J	Screw, x6 (for fixing LCD Control unit)
31	XHPS730P06WS0	AA		J	Screw, x4 (for fixing LCD Control unit Cover)

[11] SUPPLIED ACCESSORIES



NO.	PARTS CODE	PRICE RANK	NEW MARK	PART DELIVERY	DESCRIPTION
[11] SUPPLIED ACCESSORIES					
X1	CDAi-A526WJ06	BL	N	P	Stand Unit (LC-42DH77E/RU/S/V)
X1	CDAi-A526WJ02	BM	N	S	Stand Unit (LC-46DH77E/RU/S/V)
X1-1	Not Available	-	-	-	Support
X1-2	Not Available	-	-	-	Stand Base
X1-3	Not Available	-	-	-	Screw, x8
X1-4	Not Available	-	-	-	Tool for Stand
X2	LHLDWA173WJKZ	AE		J	Cable Clamp
X3	QACCKA004WJPZ	AM		J	AC Cord (except U.K. and Ireland)
X3	QACCBA054WJPZ	AN		J	AC Cord (for U.K. and Ireland)
X4	RRMCGA771WJSA	AT	N	S	Remote Control Unit
X5	TiNS-D908WJZZ	AP	N	P	Operation Manual (LC-42DH77E/S) (for Europe except East Europe)
X5	TiNS-D971WJZZ	AN	N	S	Operation Manual (LC-46DH77E/S) (for Europe except East Europe)
X6	TiNS-D909WJZZ	AL	N	P	Operation Manual (LC-42DH77S) (for Northern Europe)
X6	TiNS-D972WJZZ	AV	N	S	Operation Manual (LC-46DH77S) (for Northern Europe)
X7	TiNS-D910WJZZ	AS	N	P	Operation Manual (LC-42DH77V) (for East Europe)
X7	TiNS-D973WJZZ	AX	N	S	Operation Manual (LC-46DH77V) (for East Europe)
X8	TiNS-D911WJZZ	AF	N	P	Operation Manual (LC-42DH77RU) (for Russia)
X8	TiNS-D974WJZZ	AK	N	S	Operation Manual (LC-46DH77RU) (for Russia)
X9	TCAUSA034WJZZ	AB	N	S	Caution Sheet (LC-42/46DH77V) (for East Europe)
X10	TCAUZA356WJN1	AU		P	Class-A Caution (LC-42DH77E/RU/S/V)
X10	TCAUZA354WJN1	AB	N	S	Class A 22Language Caution (LC-46DH77E/RU/S/V)
X11	TGAN-A077WJZZ	AE		J	Warranty Card (LC-42/46DH77RU) (for Russia)
X12	TGAN-A801WJZZ	AE		S	Warranty Card (LC-42/46DH77E) (for U.K. and Ireland)
X13	TGAN-A802WJZZ	AD		S	Aquos Care Plan (LC-42/46DH77E) (for U.K. and Ireland)
X14	TGAN-B078WJZZ	AE	N	S	Warranty Card (LC-42/46DH77V) (for East Europe)
X15	TGAN-B079WJZZ	AE	N	S	Warranty Coupon (LC-42/46DH77V) (for East Europe)
X16	Not Available	-	-	-	"AAA" size Battery
X17	TCAUZA222WJN1	AB		P	Caution Sheet (for ECO) (LC-42DH77E/S/V)

[12] PACKING PARTS (LC-42DH77E/RU/S/V)

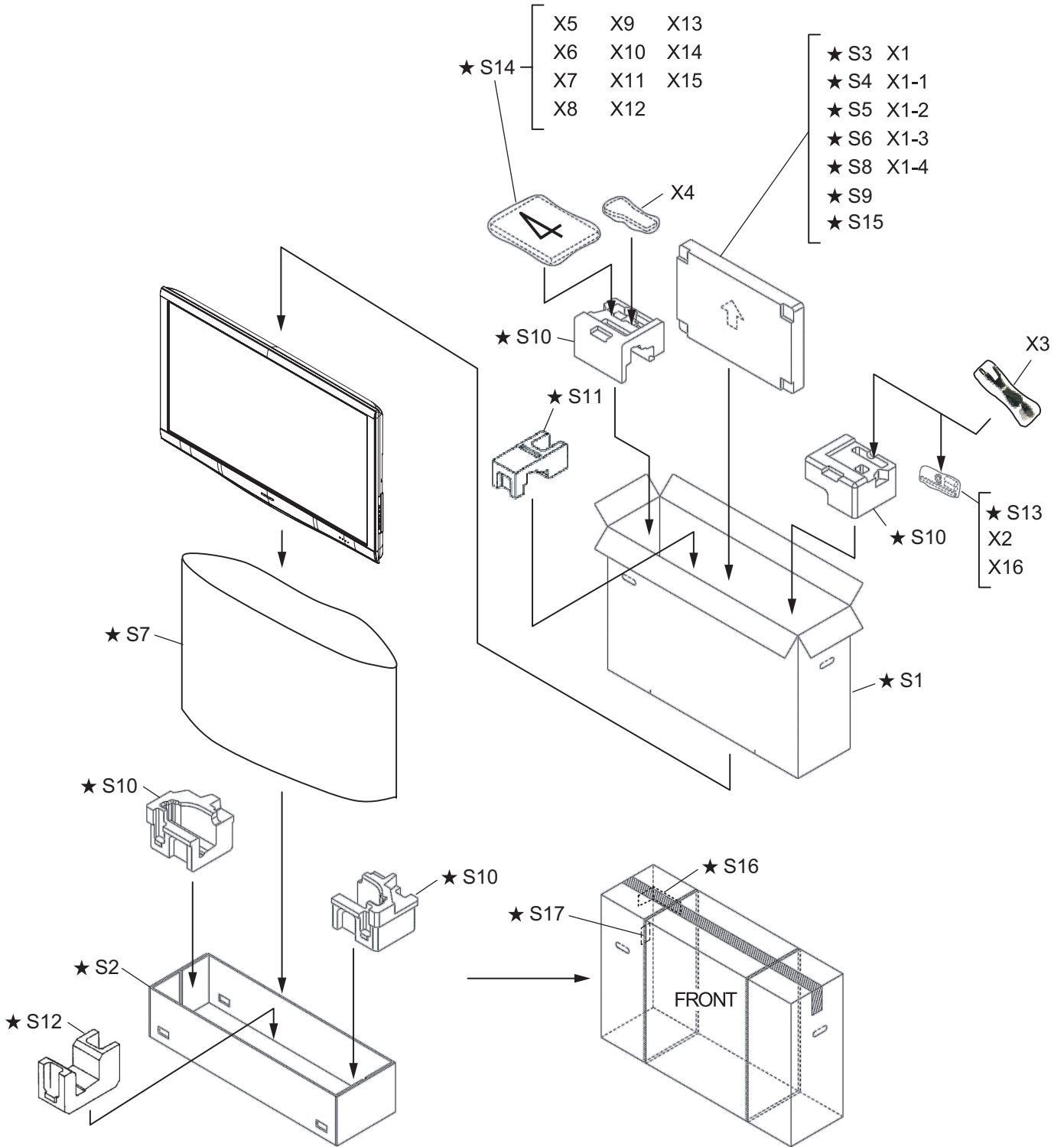


★ Not Replacement item

LC-42DH77E/RU/S/V, LC-46DH77E/RU/S/V

NO.	PARTS CODE	PRICE RANK	NEW MARK	PART DELIVERY	DESCRIPTION
[12] PACKING PARTS (LC-42DH77E/RU/S/V)					
S1	SPAKCE641WJZZ	-	N	-	Packing Case
S2	SPAKAA374WJZZ	-		-	Cover Sheet
S3	SPAKFB808WJZZ	-	N	-	Stand Case
S4	SPAKFB809WJZZ	-	N	-	Stand Pad
S5	SPAKFB716WJZZ	-	N	-	Paper Cover
S6	SPAKPA780WJZZ	-		-	Mirror Mat Base
S7	SPAKPA904WJZZ	-		-	Mirror Mat Sup
S8	SPAKPB041WJZZ	-		-	Wrapping Paper
S9	SPAKXC277WJZZ	-	N	-	Buffer material (Top/Bottom)
S10	SSAKAA009WJZZ	-		-	Polyethylene Bag
S11	SSAKAA111WJZZ	-		-	Polyethylene Bag
S12	SSAKHA036WJZZ	-		-	Screw Case
S13	TLABM5584BMZZ	-		-	Case No Label
S14	TLABZC194WJZZ	-		-	EU ECO Label (LC-42DH77E/SV)

[13] PACKING PARTS (LC-46DH77E/RU/S/V)



★ Not Replacement item

LC-42DH77E/RU/S/V, LC-46DH77E/RU/S/V

NO.	PARTS CODE	PRICE RANK	NEW MARK	PART DELIVERY	DESCRIPTION
[13] PACKING PARTS (LC-46DH77E/RU/S/V)					
S1	SPAKCE643WJZZ	-	N	-	Packing Case
S2	SPAKCE644WJZZ	-	N	-	Packing Case (Bottom)
S3	SPAKAA374WJZZ	-	-	-	Cover Sheet
S4	SPAKFB706WJZZ	-	N	-	Stand Case
S5	SPAKFB707WJZZ	-	N	-	Stand Pad
S6	SPAKFB716WJZZ	-	N	-	Paper Cover
S7	SPAKPA711WJZZ	-	-	-	Wrapping Paper
S8	SPAKPA780WJZZ	-	-	-	Mirror Mat Base
S9	SPAKPA904WJZZ	-	-	-	Mirror Mat Sup
S10	SPAKXC279WJZZ	-	N	-	Buffer material (Top/Bottom)
S11	SPAKXC280WJZZ	-	N	-	Buffer material (Top Center)
S12	SPAKXC281WJZZ	-	N	-	Buffer material (Bottom Center)
S13	SSAKAA009WJZZ	-	-	-	Polyethylene Bag
S14	SSAKAA111WJZZ	-	-	-	Polyethylene Bag
S15	SSAKHA036WJZZ	-	-	-	Screw Case
S16	TLABM584BMZZ	-	-	-	Case No Label
S17	TLABZB084WJZZ	-	-	-	EU ECO Label (LC-46DH77E/SV)
[14] SERVICE JIGS					
N	QCNW-G616WJQZ	BK		J	Main-LCD Control (LW)
N	QCNW-H347WJQZ	AY		J	Main-LCD Control (LP)
N	QCNW-H348WJQZ	AW		J	MAIN-LED (RA)
N	QCNW-H185WJQZ	AV		J	MAIN-POWER (LB)
N	QCNW-H184WJQZ	AX		J	Main-Power (PD)
N	QCNW-G445WJQZ	AP		J	Main-Speaker (SP)
N	QCNW-G440WJQZ	AP		J	Main-Key (KM)
N	QCNW-G625WJQZ	AP		J	Main-Power (PL)
N	QCNW-J014WJQZ	AS		J	Main-Power (LB1)
N	QCNW-J015WJQZ	AS		J	Power-Inverter (LB2)
N	QCNW-J016WJQZ	AM		J	Power-Inverter (LA)

LC-42DH77E/RU/S/V, LC-46DH77E/RU/S/V

SHARP

COPYRIGHT © 2009 BY SHARP CORPORATION

ALL RIGHTS RESERVED.

No Part of this publication may be reproduced, stored in a retrieval system, or transmitted in any form or by any means, electronic, mechanical, photocopying, recording, or otherwise, without prior written permission of the publisher.