

# SHARP PARTS GUIDE

No. S30F240LE820E



## LCD COLOUR TELEVISION

**LC-40LE820E**  
**LC-46LE820E**  
**LC-52LE820E**  
**LC-40LU820E**  
**MODELS LC-46LU820E**

### CONTENTS

- |  |   |
|--|---|
| [1] PRINTED WIRING BOARD ASSEMBLIES    | [7] PACKING PARTS (NOT REPLACEMENT ITEM) (LC-40LE820E/LU820E) |
| [2] LCD PANEL MODULE                   | [8] PACKING PARTS (NOT REPLACEMENT ITEM) (LC-46LE820E/LU820E) |
| [3] CABINET PARTS (LC-40LE820E/LU820E) | [9] PACKING PARTS (NOT REPLACEMENT ITEM) (LC-52LE820E)        |
| [4] CABINET PARTS (LC-46LE820E/LU820E) | [10] SERVICE JIGS (USE FOR SERVICING)                         |
| [5] CABINET PARTS (LC-52LE820E)        |   |
| [6] SUPPLIED ACCESSORIES               |   |

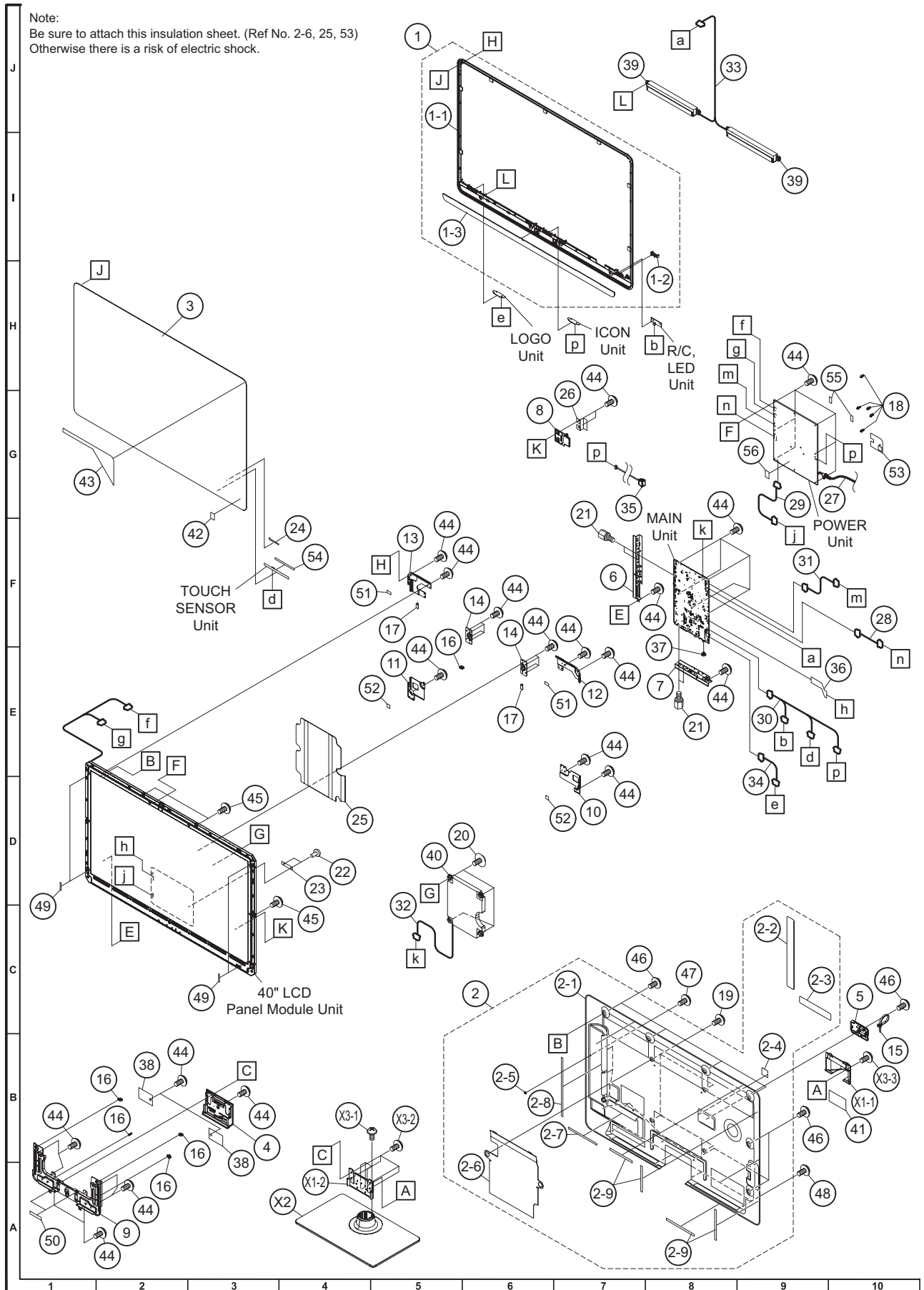
Parts marked with "⚠" are important for maintaining the safety of the set. Be sure to replace these parts with specified ones for maintaining the safety and performance of the set.

LC-40/46/52LE820E, LC-40/46LU820E

NO.	PARTS CODE	PRICE RANK	NEW MARK	PART DELIVERY	DESCRIPTION
<b>[1] PRINTED WIRING BOARD ASSEMBLIES</b>					
N	DKEYDF455FM01		N	P	MAIN Unit
N	DUNTKF494FM02	AP	N	P	R/C, LED Unit
N	DUNTKF493FM03	AP	N	P	ICON Unit
N	DUNTKF493FM04	AQ	N	P	LOGO Unit
N	RUNTKA690WJQZ	BD	N	P	TOUCH SENSOR Unit
N	RUNTKA685WJQZ	BS	N	P	POWER Unit (LC-40LE820E/LU820E)
N	RUNTKA686WJQZ	BT	N	P	POWER Unit (LC-46LE820E/LU820E)
N	RUNTKA694WJQZ	BT	N	P	POWER Unit (LC-52LE820E)
N	RUNTK4512TPZC		N	P	LCD CONTROL Unit (LC-40LE820E/LU820E/52LE820E)
N	RUNTK4437TPZE	CM	N	P	LCD CONTROL Unit (LC-46LE820E/LU820E)
N	RUNTK4462TPZZ	BG	N	P	LED PWB Unit, x4 (LC-40LE820E/LU820E)
N	RUNTK4461TPZZ	BK	N	P	LED PWB Unit, x4 (LC-46LE820E/LU820E)
N	RUNTK4460TPZZ	BL	N	P	LED PWB Unit, x4 (LC-52LE820E)
<b>[2] LCD PANEL MODULE</b>					
N	R1LK400D3LWF0Y	DL	N	P	40" LCD Panel Module Unit (LC-40LE820E/LU820E)
N	R1LK460D3LWA0Y	DY	N	P	46" LCD Panel Module Unit (LC-46LE820E/LU820E)
N	R1LK520D3LWA0Y	EE	N	P	52" LCD Panel Module Unit (LC-52LE820E)

[3] CABINET PARTS (LC-40LE820E/LU820E)

Note:  
Be sure to attach this insulation sheet. (Ref No. 2-6, 25, 53)  
Otherwise there is a risk of electric shock.

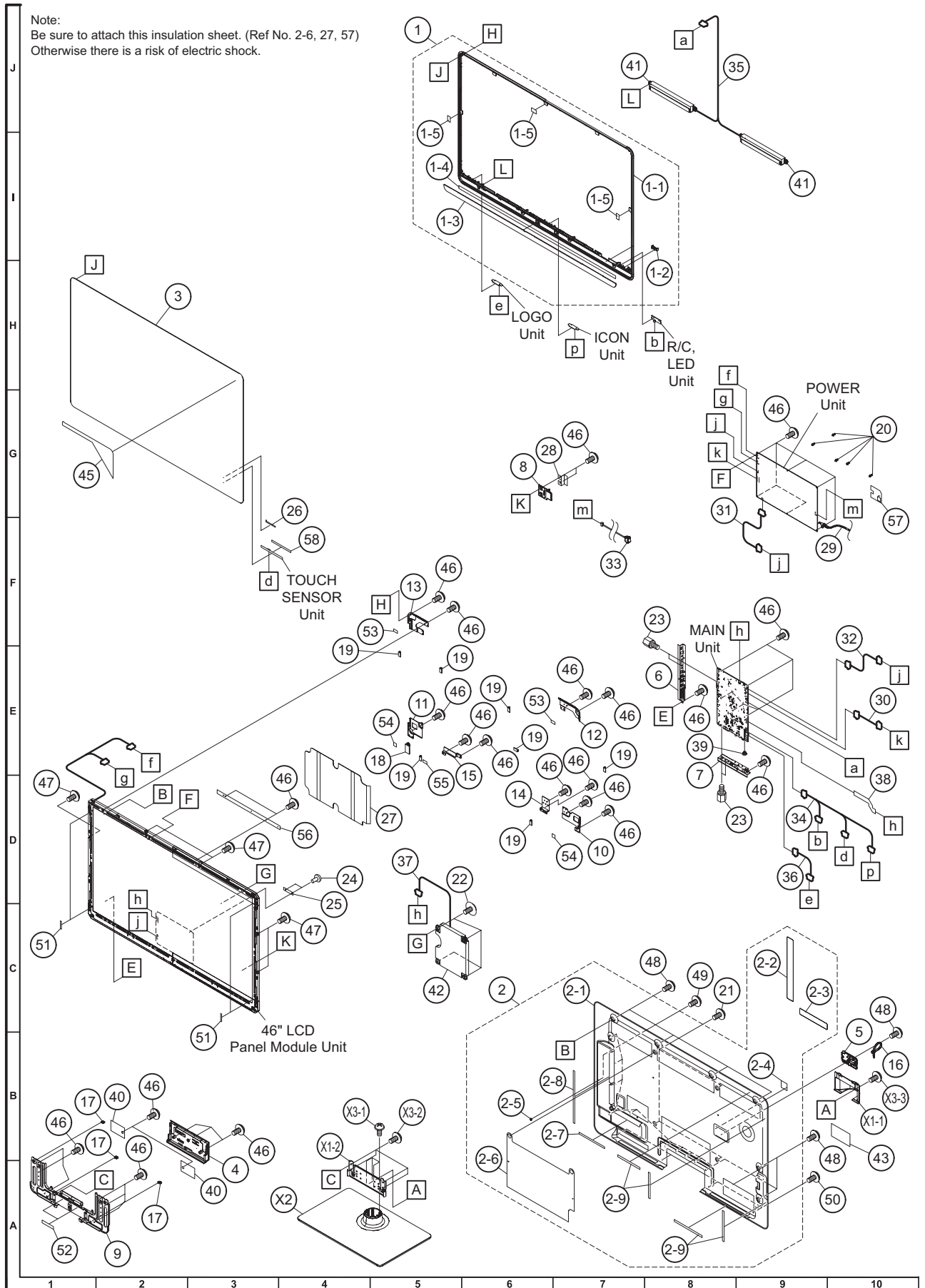


LC-40/46/52LE820E, LC-40/46LU820E

NO.	PARTS CODE	PRICE RANK	NEW MARK	PART DELIVERY	DESCRIPTION	
<b>[3] CABINET PARTS (LC-40LE820E/LU820E)</b>						
1	CCABAC522WJ11	BR	N	P	Front Cabinet Ass'y (LC-40LE820E)	
1	CCABAC522WJ12		N	P	Front Cabinet Ass'y (LC-40LU820E)	
1-1	Not available	-	N	-	Front Cabinet	
1-2	Not available	-	N	-	R/C Decoration Cover	
1-3	Not available	-	N	-	Front Decoration	
2	CCABBB698WJ11	BQ	N	P	Rear Cabinet Ass'y	
2-1	Not available	-	N	-	Rear Cabinet	
2-2	HiNDPD710WJSA	AF	N	P	Terminal Label (Side)	
2-3	HiNDPD711WJSA	AD	N	P	Terminal Label (Bottom)	
2-4	PSPAHC152WJ1Z	AA	N	P	Himelon	
2-5	PSPAHC461WJZZ	AE	N	P	Spacer	
2-6	PZETKA549WJKZ		N	P	Insulation Sheet	
2-7	PSPAHC159WJZZ		N	P	Himelon	
2-8	PSPAHC160WJZZ		N	P	Himelon	
2-9	PSPAHC194WJZZ		N	P	Himelon, x4	
3	CPNLHA019WE11		N	P	Glass Front Panel Ass'y	
4	GCOVAD696WJ1A	AG	N	P	Stand Cover	
5	GCOVAD699WJ1A	AD	N	P	AC Cord Cover	
6	GCOVAD706WJSA	AK	N	P	Terminal Angle (Side)	
7	GCOVAD707WJSA	AH	N	P	Terminal Angle (Bottom)	
8	GCOVAD709WJ1A	AF	N	P	ECO Switch Cover	
9	LANGKC719WJM1	BB	N	P	Stand Angle	
10	LANGKC743WJFW	AF	N	P	LCD Angle (Bottom-L)	
11	LANGKC744WJFW	AG	N	P	LCD Angle (Bottom-R)	
12	LANGKC745WJFW	AF	N	P	LCD Angle (Top-L)	
13	LANGKC746WJFW	AF	N	P	LCD Angle (Top-R)	
14	LANGKC775WJM1	AH	N	P	VESA Angle, x2	
15	LHLDKA011WJKZ	AC	N	P	AC Cord Band	
16	LHLDWA143WJKZ	AC		J	Wire Holder, x5	
17	LHLDWA294WJUJ	AC		J	Wire Holder, x2	
18	LHLDZA587WJKZ	AC		J	Spacer, x5	
19	LX-BZA170WJF9	AB	N	P	Screw (for VESA/Rear Cabinet Ass'y), x4	
20	LX-BZA364WJF7	AA	N	P	Screw (for Woofer), x4	
21	NSFTZA362WJFW		N	P	Shaft (for PWB/Angle), x4	
22	PCLiCA004WJKZ	AC		J	Nylon Rivet, x2	
23	PMLT-A632WJZZ	AD	N	P	Gasket	
24	PSLDPA113WJZZ		N	P	Shield Tape C	
25	PZETKA548WJKZ		N	P	Insulation Sheet (Power)	
26	PZETKA556WJKZ	AE	N	P	Insulation Sheet (ECO)	
△	27	QACCBA099WJPZ	AR	N	P	AC Cord (for U.K.)
△	27	QACCKA052WJPZ	AN	N	P	AC Cord (except for U.K.)
	28	QCNW-K548WJQZ	AF	N	P	Connecting Cord (PD)
	29	QCNW-K550WJQZ	AE	N	P	Connecting Cord (PL)
	30	QCNW-K551WJQZ	AT	N	P	Connecting Cord (RA)
	31	QCNW-K552WJQZ	AF	N	P	Connecting Cord (LB)
	32	QCNW-K553WJQZ	AH	N	P	Connecting Cord (SB)
	33	QCNW-K554WJQZ	AK	N	P	Connecting Cord (SP)
	34	QCNW-K555WJQZ	AE	N	P	Connecting Cord (RL)
△	35	QCNW-K556WJQZ	AV	N	P	Connecting Cord (AS)
	36	QCNW-K576WJQZ	AT	N	P	Connecting Cord (LW)
	37	QEARZ0057CEFW	AB		J	Earth Spring
	38	QEARZA186WJZZ	AF	N	P	Conductive Tape, x2
	39	RSP-ZA456WJZZ	AX	N	P	Speaker (L/R), x2
	40	RSP-ZA458WJZZ	BA	N	P	Speaker (Woofer)
	41	TLABNC117WJZZ	AA	N	P	Model Label
	42	TLABZC354WJZZ	AB	N	P	ECO Label
	43	TLABZC554WJZZ		N	P	Pop Label
	44	XBPS730P06WS0	AA		J	Screw (for PWB/Angle/LCD/Cabinet), x39
	45	XBPS730P10WS0	AA		J	Screw (for Panel Angle), x3
	46	XBPS830P06WS0	AA		J	Screw (for Rear Cabinet Ass'y), x13
	47	XBPS830P14WS0	AA	N	P	Screw (for Rear Cabinet Ass'y)
	48	XEBS840P10000	AF	N	J	Screw (for Speaker), x4
	49	PSPAGA888WJZZ		N	P	Spacer, x4
	50	PSPAHC492WJKZ		N	P	Spacer, x2
	51	PSPAGA889WJKZ		N	P	Spacer, x2
	52	PSPAGA891WJKZ		N	P	Spacer, x2
	53	PZETKA563WJKZ		N	P	Insulation Sheet (AC)
	54	PSPAKA469WJKZ		N	P	Spacer
	55	PCUSGA142WJKZ		N	P	Rubber Bush, x2
	56	PSPAHC494WJKZ		N	P	Cooling Sheet

[4] CABINET PARTS (LC-46LE820E/LU820E)

Note:  
Be sure to attach this insulation sheet. (Ref No. 2-6, 27, 57)  
Otherwise there is a risk of electric shock.

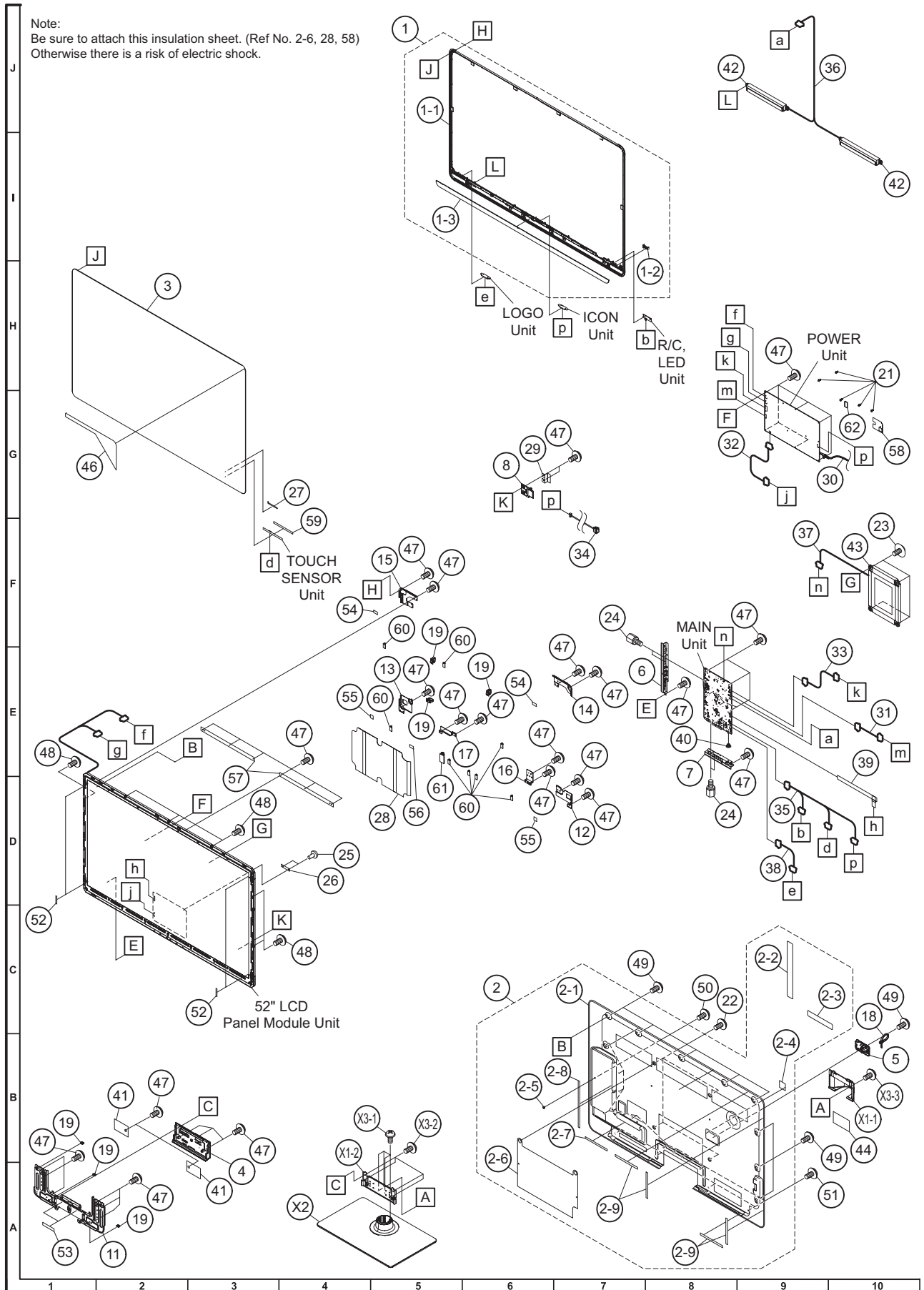


LC-40/46/52LE820E, LC-40/46LU820E

NO.	PARTS CODE	PRICE RANK	NEW MARK	PART DELIVERY	DESCRIPTION
<b>[4] CABINET PARTS (LC-46LE820E/LU820E)</b>					
1	CCABAC523WJ11	BS	N	P	Front Cabinet Ass'y (LC-46LE820E)
1	CCABAC523WJ12		N	P	Front Cabinet Ass'y (LC-46LU820E)
1-1	Not available	-	N	-	Front Cabinet
1-2	Not available	-	N	-	R/C Decoration Cover
1-3	Not available	-	N	-	Front Decoration
1-4	PSPAGA907WJZZ		N	P	Spacer
1-5	PSPAZC495WJZZ		N	P	Double Side Tape, x3
2	CCABBB699WJ11		N	P	Rear Cabinet Ass'y (for U.K.)
2	CCABBB699WE11		N	P	Rear Cabinet Ass'y (except for U.K.)
2-1	Not available	-	N	-	Rear Cabinet
2-2	HiNDPD710WJSA	AF	N	P	Terminal Label (Side)
2-3	HiNDPD711WJSA	AD	N	P	Terminal Label (Bottom)
2-4	PSPAHC152WJ1Z	AA	N	P	Himelon (except for U.K.)
2-5	PSPAZC461WJZZ	AE	N	P	Spacer
2-6	PZETKA542WJKZ	BA	N	P	Insulation Sheet
2-7	PSPAHC159WJZZ		N	P	Himelon
2-8	PSPAHC160WJZZ		N	P	Himelon
2-9	PSPAHC194WJZZ		N	P	Himelon, x4
3	CPNLHA020WJ11		N	P	Glass Front Panel Ass'y
4	GCOVAD697WJ1A	AK	N	P	Stand Cover
5	GCOVAD699WJ1A	AD	N	P	AC Cord Cover
6	GCOVAD706WJSA	AK	N	P	Terminal Angle (Side)
7	GCOVAD707WJSA	AH	N	P	Terminal Angle (Bottom)
8	GCOVAD709WJ1A	AF	N	P	ECO Switch Cover
9	LANGKC720WJFW	AV	N	P	Stand Angle
10	LANGKC743WJFW	AF	N	P	LCD Angle (Bottom-L)
11	LANGKC744WJFW	AG	N	P	LCD Angle (Bottom-R)
12	LANGKC745WJFW	AF	N	P	LCD Angle (Top-L)
13	LANGKC746WJFW	AF	N	P	LCD Angle (Top-R)
14	LANGKC747WJFW	AE	N	P	LCD Angle (B-C-A)
15	LANGKC811WJFW	AD	N	P	LCD Angle (B-C-B)
16	LHLDKA011WJKZ	AC	N	P	AC Cord Band
17	LHLDWA143WJKZ	AC		J	Wire Holder, x3
18	LHLDWA176WJUJ	AC		J	Wire Holder
19	LHLDWA294WJUJ	AC		J	Wire Holder, x7
20	LHLDZA587WJKZ	AC		J	Spacer, x5
21	LX-BZA170WJF9	AB	N	P	Screw (for VESA/Rear Cabinet Ass'y), x4
22	LX-BZA364WJF7	AA	N	P	Screw (for Woofer), x4
23	NSFTZA362WJFW		N	P	Shaft (for PWB/Angle), x4
24	PCLICA004WJKZ	AC		J	Nylon Rivet, x2
25	PMLT-A632WJZZ	AD	N	P	Gasket
26	PSLDPA113WJZZ		N	P	Shield Tape C
27	PZETKA541WJKZ	AW	N	P	Insulation Sheet (Power)
28	PZETKA556WJKZ	AE	N	P	Insulation Sheet (ECO)
29	QACCBA099WJPZ	AR	N	P	AC Cord (for U.K.)
29	QACCKA052WJPZ	AN	N	P	AC Cord (except for U.K.)
30	QCNW-K548WJQZ	AF	N	P	Connecting Cord (PD)
31	QCNW-K550WJQZ	AE	N	P	Connecting Cord (PL)
32	QCNW-K552WJQZ	AF	N	P	Connecting Cord (LB)
33	QCNW-K556WJQZ	AV	N	P	Connecting Cord (AS)
34	QCNW-K572WJQZ		N	P	Connecting Cord (RA)
35	QCNW-K559WJQZ	AK	N	P	Connecting Cord (SP)
36	QCNW-K573WJQZ		N	P	Connecting Cord (RL)
37	QCNW-K570WJQZ	AG	N	P	Connecting Cord (SB)
38	QCNW-K561WJQZ		N	P	Connecting Cord (LW)
39	QEARZ0057CEFW	AB		J	Earth Spring
40	QEARZA186WJZZ	AF	N	P	Conductive Tape, x2
41	RSP-ZA456WJZZ	AX	N	P	Speaker (L/R), x2
42	RSP-ZA458WJZZ	BA	N	P	Speaker (Woofer)
43	TLABNC117WJZZ	AA	N	P	Model Label
45	TLABZC520WJZZ		N	P	Pop Label
46	XBPS730P06WS0	AA		J	Screw (for PWB/Angle/LCD/Cabinet), x39
47	XBPS730P10WS0	AA		J	Screw (for Panel Angle), x5
48	XBPS830P06WS0	AA		J	Screw (for Rear Cabinet Ass'y), x17
49	XBPS830P14WS0	AA	N	P	Screw (for Rear Cabinet Ass'y)
50	XEBS840P10000	AF	N	J	Screw (for Speaker/Rear Cabinet Ass'y), x4
51	PSPAGA888WJZZ		N	P	Spacer, x4
52	PSPAZC492WJKZ		N	P	Himelon, x2
53	PSPAGA889WJKZ		N	P	Spacer, x2
54	PSPAGA891WJKZ		N	P	Spacer, x2
55	PSPAGA892WJKZ		N	P	Spacer
56	LANGFA776WJFW		N	P	BL Chassis Support Angle
57	PZETKA563WJKZ		N	P	Insulation Sheet (AC)
58	PSPAKA469WJKZ		N	P	Spacer

[5] CABINET PARTS (LC-52LE820E)

Note:  
Be sure to attach this insulation sheet. (Ref No. 2-6, 28, 58)  
Otherwise there is a risk of electric shock.

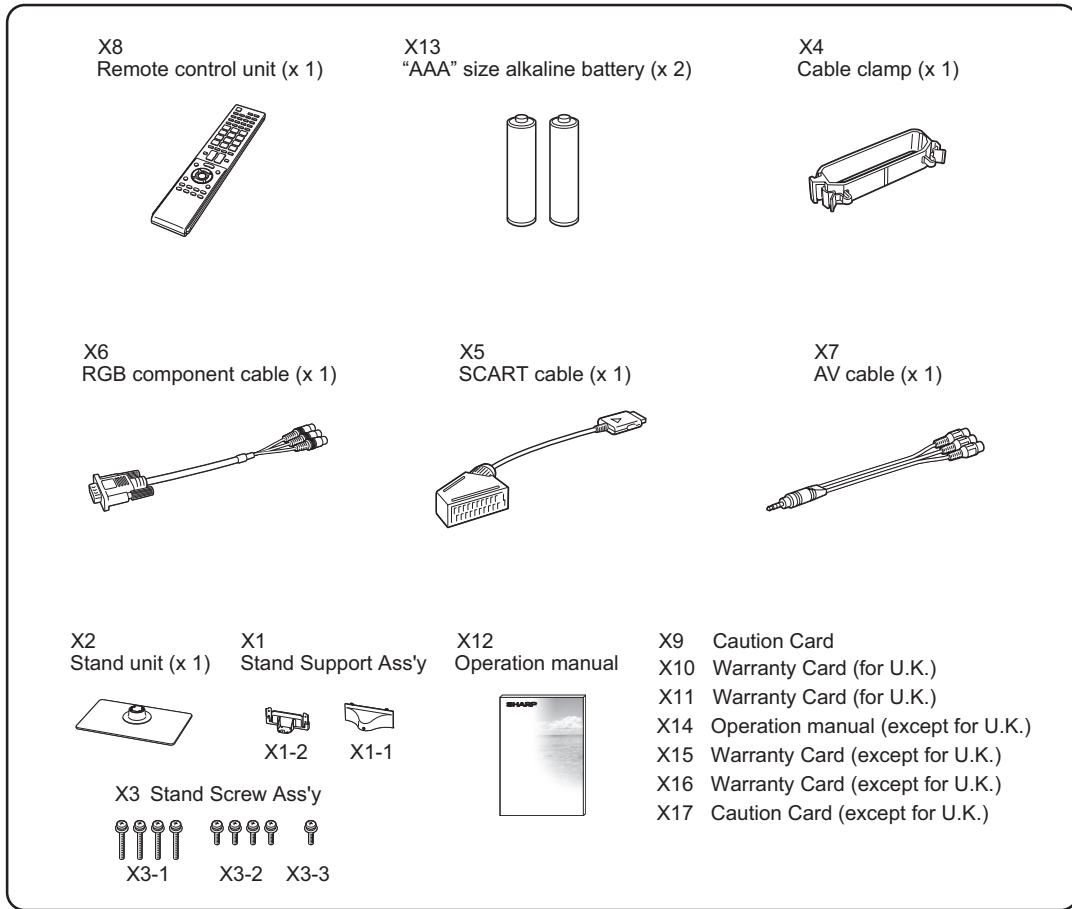


LC-40/46/52LE820E, LC-40/46LU820E

NO.	PARTS CODE	PRICE RANK	NEW MARK	PART DELIVERY	DESCRIPTION
<b>[5] CABINET PARTS (LC-52LE820E)</b>					
1	CCABAC524WJ31	CH	N	P	Front Cabinet Ass'y
1-1	Not available	-	N	-	Front Cabinet
1-2	Not available	-	N	-	R/C Decoration Cover
1-3	Not available	-	N	-	Front Decoration
2	CCABBB700WE11	-	N	P	Rear Cabinet Ass'y
2-1	Not available	-	N	-	Rear Cabinet
2-2	HINDPD710WJSA	AF	N	P	Terminal Label (Side)
2-3	HINDPD711WJSA	AD	N	P	Terminal Label (Bottom)
2-4	PSPAHC152WJ1Z	AA	N	P	Himelon
2-5	PSPAHC461WJZZ	AE	N	P	Spacer
2-6	PZETKA542WJKZ	BA	N	P	Insulation Sheet
2-7	PSPAHC159WJZZ	-	N	P	Himelon
2-8	PSPAHC160WJZZ	-	N	P	Himelon
2-9	PSPAHC194WJZZ	-	N	P	Himelon, x4
3	CPNLHA021WJ11	-	N	P	Glass Front Panel Ass'y
4	GCOVAD697WJ1A	AK	N	P	Stand Cover
5	GCOVAD699WJ1A	AD	N	P	AC Cord Cover
6	GCOVAD706WJSA	AK	N	P	Terminal Angle (Side)
7	GCOVAD707WJSA	AH	N	P	Terminal Angle (Bottom)
8	GCOVAD709WJ1A	AF	N	P	ECO Switch Cover
11	LANGKC720WJFW	AV	N	P	Stand Angle
12	LANGKC743WJFW	AF	N	P	LCD Angle (Bottom-L)
13	LANGKC744WJFW	AG	N	P	LCD Angle (Bottom-R)
14	LANGKC745WJFW	AF	N	P	LCD Angle (Top-L)
15	LANGKC746WJFW	AF	N	P	LCD Angle (Top-R)
16	LANGKC747WJFW	AE	N	P	LCD Angle (B-C-A)
17	LANGKC811WJFW	AD	N	P	LCD Angle (B-C-B)
18	LHLDKA011WJKZ	AC	N	P	AC Cord Band
19	LHLDWA143WJKZ	AC		J	Wire Holder, x6
21	LHLDZA587WJKZ	AC		J	Spacer, x5
22	LX-BZA170WJF9	AB	N	P	Screw (for VESA/Rear Cabinet Ass'y), x4
23	LX-BZA364WJF7	AA	N	P	Screw (for Woofer), x4
24	NSFTZA362WJFW	-	N	P	Shaft (for PWB/Angle), x4
25	PCLICA004WJKZ	AC		J	Nylon Rivet, x2
26	PMLT-A632WJZZ	AD	N	P	Gasket
27	PSLDPA113WJZZ	-	N	P	Shield Tape C
28	PZETKA541WJKZ	AW	N	P	Insulation Sheet (Power)
29	PZETKA556WJKZ	AE	N	P	Insulation Sheet (ECO)
30	QACCBA099WJPZ	AR	N	P	AC Cord (for U.K.)
30	QACCKA052WJPZ	AN	N	P	AC Cord (except for U.K.)
31	QCNW-K548WJQZ	AF	N	P	Connecting Cord (PD)
32	QCNW-K550WJQZ	AE	N	P	Connecting Cord (PL)
33	QCNW-K552WJQZ	AF	N	P	Connecting Cord (LB)
34	QCNW-K556WJQZ	AV	N	P	Connecting Cord (AS)
35	QCNW-K562WJQZ	AV	N	P	Connecting Cord (RA)
36	QCNW-K579WJQZ	-	N	P	Connecting Cord (SP)
37	QCNW-K574WJQZ	-	N	P	Connecting Cord (SB)
38	QCNW-K565WJQZ	AE	N	P	Connecting Cord (RL)
39	QCNW-K577WJQZ	AT	N	P	Connecting Cord (LW)
40	QEARZ0057CEFW	AB		J	Earth Spring
41	QEARZA186WJZZ	AF	N	P	Conductive Tape, x2
42	RSP-ZA456WJZZ	AX	N	P	Speaker (L/R), x2
43	RSP-ZA457WJZZ	BA	N	P	Speaker (Woofer)
44	TLABNC117WJZZ	AA	N	P	Model Label
46	TLABZC554WJZZ	-	N	P	Pop Label
47	XBPS730P06WS0	AA		J	Screw (for PWB/Angle/LCD Angle/Cabinet), x43
48	XBPS730P10WS0	AA		J	Screw (for LCD/Front Cabinet Ass'y), x6
49	XBPS830P06WS0	AA		J	Screw (for Raer Cabinet), x19
50	XBPS830P14WS0	AA	N	P	Screw (for Rear Cabinet)
51	XEBS840P10000	AF	N	J	Screw (for Speaker/Rear Cabinet Ass'y), x4
52	PSPAGA888WJZZ	-	N	P	Spacer, x4
53	PSPAHC492WJKZ	-	N	P	Himelon, x2
54	PSPAGA889WJKZ	-	N	P	Spacer, x2
55	PSPAGA891WJKZ	-	N	P	Spacer, x2
56	PSPAGA892WJKZ	-	N	P	Spacer
57	LANGFA776WJFW	-	N	P	BL Chassis Support Angle, x2
58	PZETKA563WJKZ	-	N	P	Insulation Sheet (AC)
59	PSPAKA469WJKZ	-	N	P	Spacer
60	LHLDWA294WJUJ	AC		J	Wire Holder, x8
61	LHLDWA176WJUJ	AC		J	Wire Holder
62	PCUSGA142WJKZ	-	N	P	Rubber Bush

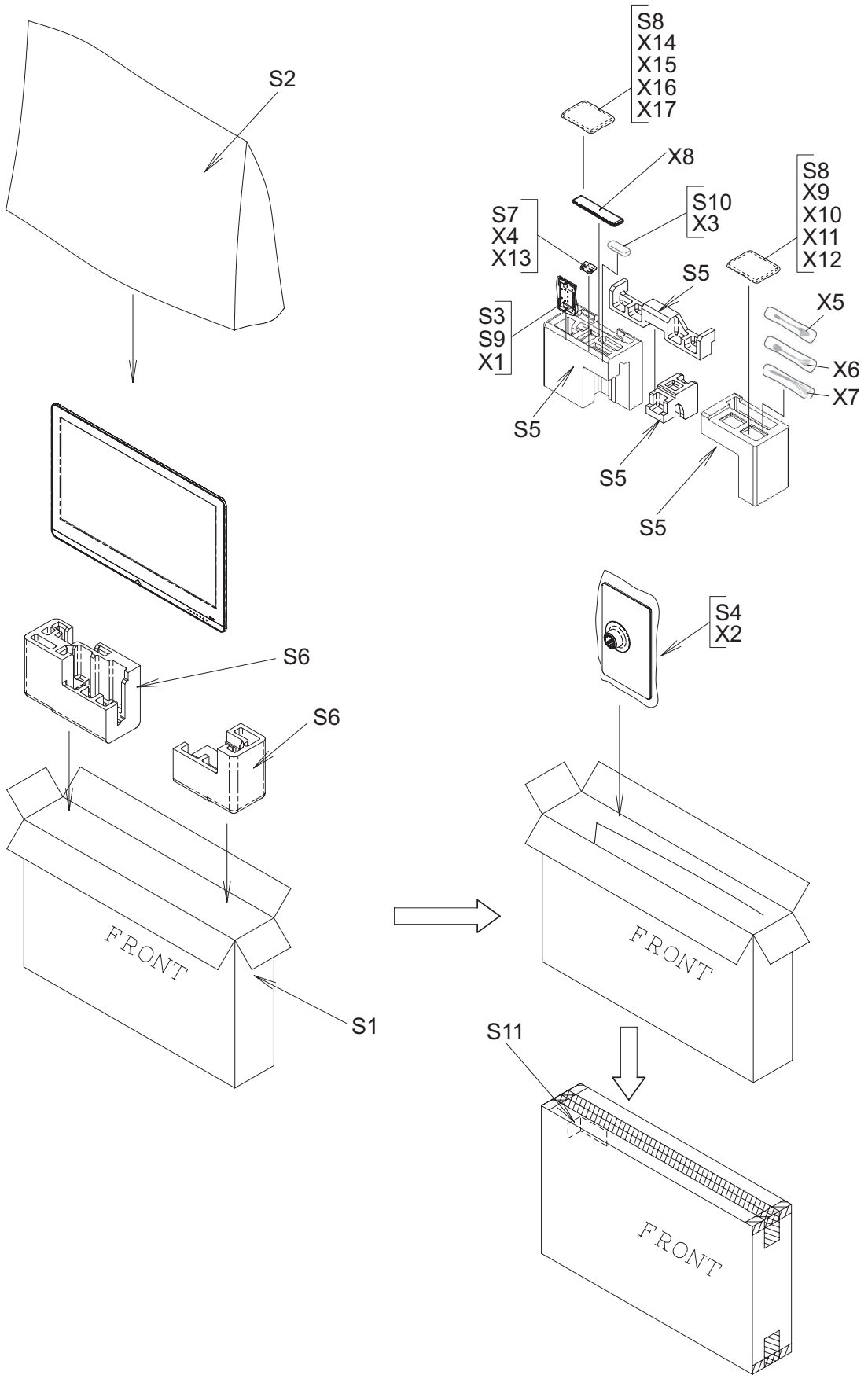


**[6] SUPPLIED ACCESSORIES**



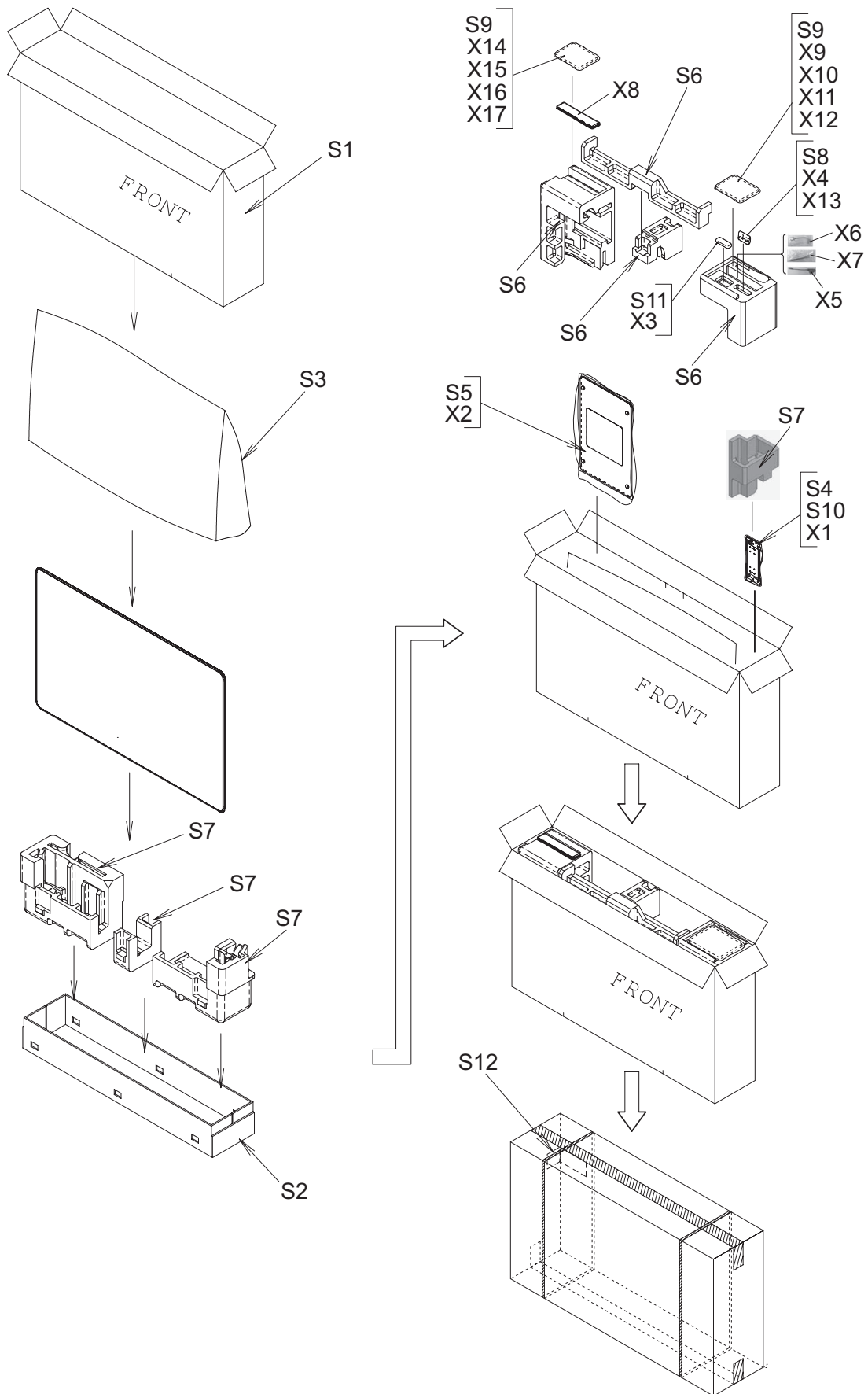
NO.	PARTS CODE	PRICE RANK	NEW MARK	PART DELIVERY	DESCRIPTION
<b>[6] SUPPLIED ACCESSORIES</b>					
X1	CANGKC707WJ01	AY	N	P	Stand Support Ass'y (LC-40LE820E/LU820E)
X1	CANGKC708WJ01	AY	N	P	Stand Support Ass'y (LC-46LE820E/LU820E/52LE820E)
X1-1	Not available	-	N	-	Support Cover
X1-2	CANGKC707WJ03		N	P	Support Angle Ass'y (LC-40LE820E/LU820E)
X1-2	CANGKC708WJ03		N	P	Support Angle Ass'y (LC-46LE820E/LU820E/52LE820E)
X2	CDAi-A653WJ01	BH	N	P	Stand Unit (LC-40LE820E)
X2	CDAi-A653WJ04		N	P	Stand Unit (LC-40LU820E)
X2	CDAi-A654WJ02		N	P	Stand Unit (LC-46LE820E)
X2	CDAi-A654WJ04		N	P	Stand Unit (LC-46LU820E)
X2	CDAi-A654WJ02	BM	N	P	Stand Unit (LC-52LE820E)
X3	CX-BZA363WJ01	AF	N	P	Stand Screw Ass'y
X3-1	Not available	-	N	-	Screw, x4
X3-2	Not available	-	N	-	Screw, x4
X3-3	XBBS840P08000	AB		J	Screw
X4	LHLDWA298WJKA	AD	N	J	Cable Clamp
X5	QCNWGA158WJPZ	AT	N	P	SCART Cable
X6	QCNWGA159WJPZ	AM	N	P	RGB Component Cable
X7	QCNWGA160WJPZ	AM	N	P	AV Cable
X8	RRMCGA841WJSA	AX	N	P	Remote Control Unit
X9	TCAUZA408WJZZ	AB	N	P	Caution Card
X10	TGAN-A801WJZZ	AC	N	P	Warranty Card (for U.K.)
X11	TGAN-A802WJZZ	AB	N	P	Warranty Card (for U.K.)
X12	TiNS-E540WJZZ	AT	N	P	Operation Manual (LC-40/46/52LE820E)
X12	TiNS-E540WJN1		N	P	Operation Manual (LC-40/46LU820E)
X13	UBATAA011WJZZ	AF		J	"AAA" size alkaline battery, x2
X14	TiNS-E541WJZZ		N	P	Operation Manual (except for U.K.) (LC-40/46/52LE820E)
X14	TiNS-E541WJN1		N	P	Operation Manual (except for U.K.) (LC-40/46LU820E)
X15	TGAN-B078WJZZ		N	P	Warranty Card (except for U.K.)
X16	TGAN-B079WJZZ		N	P	Warranty Card (except for U.K.)
X17	TCAUSA034WJZZ		N	P	Caution Card (except for U.K.)

[7] PACKING PARTS (NOT REPLACEMENT ITEM) (LC-40LE820E/LU820E)



NO.	PARTS CODE	PRICE RANK	NEW MARK	PART DELIVERY	DESCRIPTION
<b>[7] PACKING PARTS (NOT REPLACEMENT ITEM) (LC-40LE820E/LU820E)</b>					
S1	SPAKCF491WJZZ	-	N	-	Packing Case (LC-40LE820E)
S1	SPAKCF750WJZZ	-	N	-	Packing Case (LC-40LU820E)
S2	SPAKPB475WJZZ	-	N	-	Wrapping Paper
S3	SPAKPB526WJZZ	-	N	-	Wrapping Paper
S4	SPAKPB528WJZZ	-	N	-	Wrapping Paper (LC-40LE820E)
S4	SPAKPB561WJZZ	-	N	-	Wrapping Paper (LC-40LU820E)
S5	SPAKXC920WJZZ	-	N	-	Packing Add. (Top)
S6	SPAKXC925WJZZ	-	N	-	Packing Add. (Bottom)
S7	SSAKAA009WJZZ	-	N	-	Polyethylene Bag
S8	SSAKAA111WJZZ	-	N	-	Polyethylene Bag, x2
S9	SSAKKA006WJZZ	-	N	-	Polyethylene Bag
S10	SSAKKA008WJZZ	-	N	-	Polyethylene Bag
S11	TLABM5584BMZZ	-	N	-	Case No Label

**[8] PACKING PARTS (NOT REPLACEMENT ITEM) (LC-46LE820E/LU820E)**



NO.	PARTS CODE	PRICE RANK	NEW MARK	PART DELIVERY	DESCRIPTION
<b>[8] PACKING PARTS (NOT REPLACEMENT ITEM) (LC-46LE820E/LU820E)</b>					
S1	SPAKCF492WJZZ	-	N	-	Packing Case (Top) (LC-46LE820E)
S1	SPAKCF695WJZZ	-	N	-	Packing Case (Top) (LC-46LU820E)
S2	SPAKCF496WJZZ	-	N	-	Packing Case (Bottom)
S3	SPAKPB477WJZZ	-	N	-	Wrapping Paper
S4	SPAKPB527WJZZ	-	N	-	Wrapping Paper
S5	SPAKPB529WJZZ	-	N	-	Wrapping Paper (LC-46LE820E)
S5	SPAKPB562WJZZ	-	N	-	Wrapping Paper (LC-46LU820E)
S6	SPAKXC921WJZZ	-	N	-	Packing Add. (Top)
S7	SPAKXC926WJZZ	-	N	-	Packing Add. (Bottom)
S8	SSAKAA009WJZZ	-	N	-	Polyethylene Bag
S9	SSAKAA111WJZZ	-	N	-	Polyethylene Bag, x2
S10	SSAKKA007WJZZ	-	N	-	Polyethylene Bag
S11	SSAKKA008WJZZ	-	N	-	Polyethylene Bag
S12	TLABM5584BMZZ	-	N	-	Case No Label



NO.	PARTS CODE	PRICE RANK	NEW MARK	PART DELIVERY	DESCRIPTION
<b>[9] PACKING PARTS (NOT REPLACEMENT ITEM) (LC-52LE820E)</b>					
S1	SPAKCF493WJZZ	-	N	-	Packing Case (Top)
S2	SPAKCF497WJZZ	-	N	-	Packing Case (Bottom)
S3	SPAKPB478WJZZ	-	N	-	Wrapping Paper
S4	SPAKPB527WJZZ	-	N	-	Wrapping Paper
S5	SPAKPB529WJZZ	-	N	-	Wrapping Paper
S6	SPAKXC922WJZZ	-	N	-	Packing Add. (Top)
S7	SPAKXC927WJZZ	-	N	-	Packing Add. (Bottom)
S8	SSAKAA009WJZZ	-	N	-	Polyethylene Bag
S9	SSAKAA111WJZZ	-	N	-	Polyethylene Bag, x2
S10	SSAKKA007WJZZ	-	N	-	Polyethylene Bag
S11	SSAKKA008WJZZ	-	N	-	Polyethylene Bag
S12	TLABM5584BMZZ	-	N	-	Case No Label
<b>[10] SERVICE JIGS (USE FOR SERVICING)</b>					
N	QCNW-G616WJQZ	BK		J	Main Unit to LCD Control Unit (LW)
N	QCNW-G625WJQZ	AP		J	Main Unit to Power Unit (PL)
N	QCNW-H184WJQZ	AX		J	Main Unit to Power Unit (PD)
N	QCNW-H185WJQZ	AV		J	Main Unit to Power (LED Drive) Unit (LB)
N	QCNW-K594WJQZ		N	J	Main Unit to R/C, LED Unit (RA)
N	QCNW-K595WJQZ		N	J	Main Unit to Speaker (SP)
N	QCNW-K596WJQZ		N	J	Main Unit to Icon Unit (RL)
N	QCNW-K597WJQZ		N	J	Main Unit to Woofer (SB)

# SHARP

**COPYRIGHT © 2010 BY SHARP CORPORATION**

ALL RIGHTS RESERVED.

No Part of this publication may be reproduced, stored in a retrieval system, or transmitted in any form or by any means, electronic, mechanical, photocopying, recording, or otherwise, without prior written permission of the publisher.