

SHARP PARTS GUIDE

No. S59Z3LC32DH57



LCD COLOUR TELEVISION

MODELS LC-32DH57E/RU/S

CONTENTS

- | | |
|-------------------------------------|---|
| [1] PRINTED WIRING BOARD ASSEMBLIES | [7] DUNTKF071FM04 (INVERTER Unit) |
| [2] LCD PANEL | [8] CABINET AND MECHANICAL PARTS |
| [3] DUNTKF111FM08 (MAIN Unit) | [9] LCD PANEL MODULE |
| [4] DUNTKF115FM02 (LED Unit) | [10] SUPPLIED ACCESSORIES |
| [5] DUNTKF069FM05 (KEY Unit) | [11] PACKING PARTS (NOT REPLACEMENT ITEM) |
| [6] DUNTKF063FM01 (POWER Unit) | [12] SERVICE JIGS |

Parts marked with "⚠" are important for maintaining the safety of the set. Be sure to replace these parts with specified ones for maintaining the safety and performance of the set.

LC-32DH57E/RU/S

NO.	PARTS CODE	PRICE RANK	NEW MARK	PART DELIVERY	DESCRIPTION
[1] PRINTED WIRING BOARD ASSEMBLIES					
N	DUNTKF111FM08	CB		P	MAIN Unit (B3KU2H57CG)
N	DUNTKF115FM02	AH		P	LED Unit (B3KU2H57CJ)
N	DUNTKF069FM05	AP		P	KEY Unit (B3KU2A47CK)
N	DUNTKF063FM01	BH		V	POWER Unit
N	DUNTKF071FM04	BF		V	INVERTER Unit
N	RUNTKA561WJZZ		N	J	LCD CONTROL Unit (Unit Replacement Item)
N	RUNTKA550WJZZ	AR		V	GND PWB Unit
[2] LCD PANEL					
N	R1LK315T3GW40Y	CQ		P	32" LCD Panel Module
[3] DUNTKF111FM08 (MAIN Unit)					
C501	VCKYCZ1HB221KY	AA		J	Capacitor 220p 50V Ceramic
C502	VCKYCZ1HB221KY	AA		J	Capacitor 220p 50V Ceramic
C503	VCCCCZ1HH101JY	AB		J	Capacitor 100p 50V Ceramic
C507	VCCCCZ1HH101JY	AB		J	Capacitor 100p 50V Ceramic
C508	VCKYCZ1HB102KY	AB		J	Capacitor 1000p 50V Ceramic
C510	VCKYCZ1HB102KY	AB		J	Capacitor 1000p 50V Ceramic
C520	VCKYCZ1HB221KY	AA		J	Capacitor 220p 50V Ceramic
C521	VCKYCZ1EF104ZY	AA		J	Capacitor 0.1 25V Ceramic
C522	VCKYCZ1HB331KY	AA		J	Capacitor 330p 50V Ceramic
C523	VCKYCZ1HB331KY	AA		J	Capacitor 330p 50V Ceramic
C524	VCCCCZ1HH101JY	AB		J	Capacitor 100p 50V Ceramic
C525	VCCCCZ1HH101JY	AB		J	Capacitor 100p 50V Ceramic
C526	VCKYCZ1HB331KY	AA		J	Capacitor 330p 50V Ceramic
C527	VCKYCZ1HB331KY	AA		J	Capacitor 330p 50V Ceramic
C528	VCKYCZ1HB102KY	AB		J	Capacitor 1000p 50V Ceramic
C529	VCKYCZ1HB102KY	AB		J	Capacitor 1000p 50V Ceramic
C530	VCKYCZ1HB471KY	AB		J	Capacitor 470p 50V Ceramic
C531	VCKYCZ1HB471KY	AB		J	Capacitor 470p 50V Ceramic
C532	VCCCCZ1HH101JY	AB		J	Capacitor 100p 50V Ceramic
C533	VCCCCZ1HH101JY	AB		J	Capacitor 100p 50V Ceramic
C534	RC-KZA510WJPZY	AB		J	Capacitor
C535	RC-KZA510WJPZY	AB		J	Capacitor
C536	VCKYCZ1HB471KY	AB		J	Capacitor 470p 50V Ceramic
C537	VCKYCZ1HB471KY	AB		J	Capacitor 470p 50V Ceramic
C538	VCKYCZ1HB102KY	AB		J	Capacitor 1000p 50V Ceramic
C539	VCKYCZ1HB102KY	AB		J	Capacitor 1000p 50V Ceramic
C540	RC-KZA510WJPZY	AB		J	Capacitor
C541	RC-KZA510WJPZY	AB		J	Capacitor
C542	RC-KZA510WJPZY	AB		J	Capacitor
C543	RC-KZA510WJPZY	AB		J	Capacitor
C544	RC-KZA510WJPZY	AB		J	Capacitor
C545	RC-KZA510WJPZY	AB		J	Capacitor
C546	VCKYCZ1HB102KY	AB		J	Capacitor 1000p 50V Ceramic
C547	VCCCCZ1HH560JY	AB		J	Capacitor 56p 50V Ceramic
C548	VCCCCZ1HH560JY	AB		J	Capacitor 56p 50V Ceramic
C549	VCKYCZ1HB102KY	AB		J	Capacitor 1000p 50V Ceramic
C550	VCCCCZ1HH100DY	AB		J	Capacitor 10p 50V Ceramic
C551	VCERMZ1CN477MY	AE		J	Capacitor 470 16V Capacitor(AL)
C552	VCCCCZ1HH101JY	AB		J	Capacitor 100p 50V Ceramic
C553	VCCCCZ1HH100DY	AB		J	Capacitor 10p 50V Ceramic
C554	VCKYCZ1HB102KY	AB		J	Capacitor 1000p 50V Ceramic
C555	VCKYCZ1EF104ZY	AA		J	Capacitor 0.1 25V Ceramic
C556	VCCCCZ1HH100DY	AB		J	Capacitor 10p 50V Ceramic
C557	VCKYCZ1EF104ZY	AA		J	Capacitor 0.1 25V Ceramic
C558	VCKYCZ1HB102KY	AB		J	Capacitor 1000p 50V Ceramic
C559	VCKYCZ1HB102KY	AB		J	Capacitor 1000p 50V Ceramic
C560	VCKYCZ1HB102KY	AB		J	Capacitor 1000p 50V Ceramic
C561	VCKYCZ1EF104ZY	AA		J	Capacitor 0.1 25V Ceramic
C562	VCCCCZ1HH101JY	AB		J	Capacitor 100p 50V Ceramic
C564	RC-KZA616WJQZY	AB	N	J	Capacitor
C565	VCKYCZ1HB472KY	AA		J	Capacitor 4700p 50V Ceramic
C566	VCKYCZ1HB472KY	AA		J	Capacitor 4700p 50V Ceramic
C567	VCEASX1VN226MY	AC		J	Capacitor 22 35V Electrolytic
C568	VCEASX1VN226MY	AC		J	Capacitor 22 35V Electrolytic
C569	VCKYCY1AB105KY	AB		J	Capacitor 1 10V Ceramic
C570	RC-KZA067WJZZY	AB		J	Capacitor
C571	VCCCCZ1HH101JY	AB		J	Capacitor 100p 50V Ceramic
C572	VCCCCZ1HH101JY	AB		J	Capacitor 100p 50V Ceramic
C573	VCKYCZ1EF104ZY	AA		J	Capacitor 0.1 25V Ceramic
C575	VCKYCY1AB105KY	AB		J	Capacitor 1 10V Ceramic
C576	RC-KZA067WJZZY	AB		J	Capacitor
C577	RC-KZA616WJQZY	AB	N	J	Capacitor
C578	VCKYCZ1EF104ZY	AA		J	Capacitor 0.1 25V Ceramic
C579	VCKYCZ1EF104ZY	AA		J	Capacitor 0.1 25V Ceramic
C580	VCKYCZ1EF104ZY	AA		J	Capacitor 0.1 25V Ceramic
C581	RC-KZA510WJPZY	AB		J	Capacitor
C582	VCKYCY1AB105KY	AB		J	Capacitor 1 10V Ceramic
C583	VCKYCY1AB105KY	AB		J	Capacitor 1 10V Ceramic
C584	VCKYCZ1EF104ZY	AA		J	Capacitor 0.1 25V Ceramic
C585	VCKYCY1AB105KY	AB		J	Capacitor 1 10V Ceramic
C586	VCKYCZ1EF104ZY	AA		J	Capacitor 0.1 25V Ceramic
C587	VCCCCZ1HH330JY	AB		J	Capacitor 33p 50V Ceramic
C588	VCCCCZ1HH330JY	AB		J	Capacitor 33p 50V Ceramic

NO.	PARTS CODE	PRICE RANK	NEW MARK	PART DELIVERY	DESCRIPTION
[3] DUNTKF111FM08 (MAIN Unit)					
C591	RC-KZA616WJQZY	AB	N	J	Capacitor
C592	VCKYCZ1AB104KY	AB		J	Capacitor 0.1 10V Ceramic
C593	RC-KZA616WJQZY	AB	N	J	Capacitor
C1101	VCERML1AN336MY	AC		J	Capacitor 33 10V Capacitor(AL)
C1102	VCKYCZ1HB102KY	AB		J	Capacitor 1000p 50V Ceramic
C1103	VCKYCZ1EB103KY	AA		J	Capacitor 0.01 25V Ceramic
C1104	VCERML1CN107MY	AC		J	Capacitor 100 16V Capacitor(AL)
C1105	VCKYCZ1EB103KY	AA		J	Capacitor 0.01 25V Ceramic
C1106	RC-KZA510WJPZY	AB		J	Capacitor
C1107	VCERMZ1CN477MY	AE		J	Capacitor 470 16V Capacitor(AL)
C1112	VCKYCZ1EF104ZY	AA		J	Capacitor 0.1 25V Ceramic
C1113	VCKYCZ1EB103KY	AA		J	Capacitor 0.01 25V Ceramic
C1114	RC-KZA510WJPZY	AB		J	Capacitor
C1115	VCKYCZ1EB103KY	AA		J	Capacitor 0.01 25V Ceramic
C1116	RC-KZA510WJPZY	AB		J	Capacitor
C1117	RC-KZA510WJPZY	AB		J	Capacitor
C1118	RC-KZA510WJPZY	AB		J	Capacitor
C1119	RC-KZA510WJPZY	AB		J	Capacitor
C1120	RC-KZA510WJPZY	AB		J	Capacitor
C1121	RC-KZA510WJPZY	AB		J	Capacitor
C1122	RC-KZA510WJPZY	AB		J	Capacitor
C1123	RC-KZA510WJPZY	AB		J	Capacitor
C1125	RC-KZA510WJPZY	AB		J	Capacitor
C1126	VCKYCZ1EB103KY	AA		J	Capacitor 0.01 25V Ceramic
C1127	RC-KZA114WJZZY	AB		J	Capacitor
C1128	VCKYCZ1EF104ZY	AA		J	Capacitor 0.1 25V Ceramic
C1129	VCCCCZ1HH101JY	AB		J	Capacitor 100p 50V Ceramic
C1130	VCCCCZ1HH330JY	AB		J	Capacitor 33p 50V Ceramic
C1131	VCCCCZ1HH330JY	AB		J	Capacitor 33p 50V Ceramic
C1137	VCKYCZ1EF104ZY	AA		J	Capacitor 0.1 25V Ceramic
C1301	RC-KZA510WJPZY	AB		J	Capacitor
C1302	RC-KZA510WJPZY	AB		J	Capacitor
C1303	VCKYCZ1EF104ZY	AA		J	Capacitor 0.1 25V Ceramic
C1304	RC-KZA510WJPZY	AB		J	Capacitor
C1305	VCKYCZ1EF104ZY	AA		J	Capacitor 0.1 25V Ceramic
C1306	RC-KZA510WJPZY	AB		J	Capacitor
C1307	RC-KZA510WJPZY	AB		J	Capacitor
C1308	RC-KZA510WJPZY	AB		J	Capacitor
C1309	RC-KZA510WJPZY	AB		J	Capacitor
C1310	RC-KZA510WJPZY	AB		J	Capacitor
C1311	RC-KZA510WJPZY	AB		J	Capacitor
C1312	RC-KZA510WJPZY	AB		J	Capacitor
C1313	RC-KZA510WJPZY	AB		J	Capacitor
C1314	RC-KZA510WJPZY	AB		J	Capacitor
C1315	RC-KZA510WJPZY	AB		J	Capacitor
C1316	VCKYCZ1EB103KY	AA		J	Capacitor 0.01 25V Ceramic
C1317	RC-KZA510WJPZY	AB		J	Capacitor
C1318	VCKYCZ1EB103KY	AA		J	Capacitor 0.01 25V Ceramic
C1319	RC-KZA510WJPZY	AB		J	Capacitor
C1320	RC-KZA510WJPZY	AB		J	Capacitor
C1321	VCKYCZ1EB103KY	AA		J	Capacitor 0.01 25V Ceramic
C1322	VCKYCZ1EB103KY	AA		J	Capacitor 0.01 25V Ceramic
C1323	RC-KZA510WJPZY	AB		J	Capacitor
C1324	VCKYCZ1HB472KY	AA		J	Capacitor 4700p 50V Ceramic
C1325	VCKYCZ1HB472KY	AA		J	Capacitor 4700p 50V Ceramic
C1326	VCKYCZ1HB472KY	AA		J	Capacitor 4700p 50V Ceramic
C1327	VCKYCZ1HB472KY	AA		J	Capacitor 4700p 50V Ceramic
C1328	VCKYCZ1HB472KY	AA		J	Capacitor 4700p 50V Ceramic
C1329	VCKYCZ1HB472KY	AA		J	Capacitor 4700p 50V Ceramic
C1330	VCKYCZ1EB103KY	AA		J	Capacitor 0.01 25V Ceramic
C1331	RC-KZA510WJPZY	AB		J	Capacitor
C1332	VCKYCZ1EF104ZY	AA		J	Capacitor 0.1 25V Ceramic
C1513	RC-KZA520WJQZY	AA		J	Capacitor
C1515	RC-KZA520WJQZY	AA		J	Capacitor
C1523	RC-KZA520WJQZY	AA		J	Capacitor
C1526	VCKYCZ1AB104KY	AB		J	Capacitor 0.1 10V Ceramic
C1527	VCKYCZ1AB104KY	AB		J	Capacitor 0.1 10V Ceramic
C1528	RC-KZA616WJQZY	AB	N	J	Capacitor
C1529	RC-KZA616WJQZY	AB	N	J	Capacitor
C1530	VCKYCZ1AB104KY	AB		J	Capacitor 0.1 10V Ceramic
C2602	VCKYCZ1AB104KY	AB		J	Capacitor 0.1 10V Ceramic
C2702	RC-KZA510WJPZY	AB		J	Capacitor
C2703	RC-KZA510WJPZY	AB		J	Capacitor
C2706	RC-KZA510WJPZY	AB		J	Capacitor
C2707	RC-KZA510WJPZY	AB		J	Capacitor
C2708	VCKYCZ1HB102KY	AB		J	Capacitor 1000p 50V Ceramic
C2709	VCKYCZ1HB102KY	AB		J	Capacitor 1000p 50V Ceramic
C2710	VCEASY1EN107MY	AC		J	Capacitor 100 25V Electrolytic
C2711	VCKYCY1AB105KY	AB		J	Capacitor 1 10V Ceramic
C2712	VCKYCY1AB105KY	AB		J	Capacitor 1 10V Ceramic
C2713	VCKYCY1AB105KY	AB		J	Capacitor 1 10V Ceramic
C2714	VCKYCZ1EF104ZY	AA		J	Capacitor 0.1 25V Ceramic
C2715	VCEASY1EN107MY	AC		J	Capacitor 100 25V Electrolytic
C2716	RC-KZA114WJZZY	AB		J	Capacitor
C2717	RC-KZA114WJZZY	AB		J	Capacitor

NO.	PARTS CODE	PRICE RANK	NEW MARK	PART DELIVERY	DESCRIPTION
[3] DUNTKF111FM08 (MAIN Unit)					
C2718	VCKYTV1EB474KY	AC		J	Capacitor 0.47 25V Ceramic
C2719	VCKYTV1EB474KY	AC		J	Capacitor 0.47 25V Ceramic
C2720	VCKYTV1EB474KY	AC		J	Capacitor 0.47 25V Ceramic
C2721	VCKYTV1EB474KY	AC		J	Capacitor 0.47 25V Ceramic
C2723	RC-KZA114WJZZY	AB		J	Capacitor
C2724	RC-KZA114WJZZY	AB		J	Capacitor
C2729	VCKYCZ1HB102KY	AB		J	Capacitor 1000p 50V Ceramic
C2740	VCKYCZ1HB472KY	AA		J	Capacitor 4700p 50V Ceramic
C2741	VCKYCZ1HB472KY	AA		J	Capacitor 4700p 50V Ceramic
C3301	VCCCCZ1HH101JY	AB		J	Capacitor 100p 50V Ceramic
C3302	VCCCCZ1HH101JY	AB		J	Capacitor 100p 50V Ceramic
C3303	VCCCCZ1HH101JY	AB		J	Capacitor 100p 50V Ceramic
C3304	VCCCCZ1HH101JY	AB		J	Capacitor 100p 50V Ceramic
C3306	VCCCCZ1HH101JY	AB		J	Capacitor 100p 50V Ceramic
C3309	VCCCCZ1HH101JY	AB		J	Capacitor 100p 50V Ceramic
C3313	VCCCCZ1HH471JY	AA		J	Capacitor 470p 50V Ceramic
C3314	VCCCCZ1HH471JY	AA		J	Capacitor 470p 50V Ceramic
C3315	RC-KZA510WJPZY	AB		J	Capacitor
C3316	VCAAPE0JJ227MY	AE		J	Capacitor 220 6.3V Electrolytic
C3317	VCKYCZ1EF104ZY	AA		J	Capacitor 0.1 25V Ceramic
C3318	RC-KZA616WJQZY	AB	N	J	Capacitor
C3320	RC-KZA510WJPZY	AB		J	Capacitor
C3321	RC-KZA616WJQZY	AB	N	J	Capacitor
C3322	RC-KZA576WJQZY	AB		J	Capacitor
C3324	VCKYCZ1EF104ZY	AA		J	Capacitor 0.1 25V Ceramic
C3325	RC-KZA576WJQZY	AB		J	Capacitor
C3326	RC-KZA576WJQZY	AB		J	Capacitor
C3327	VCKYCZ1AB104KY	AB		J	Capacitor 0.1 10V Ceramic
C3329	VCKYCZ1AB104KY	AB		J	Capacitor 0.1 10V Ceramic
C3330	VCKYCZ1AB104KY	AB		J	Capacitor 0.1 10V Ceramic
C3331	VCKYCZ1AB104KY	AB		J	Capacitor 0.1 10V Ceramic
C3332	RC-KZA616WJQZY	AB	N	J	Capacitor
C3333	VCKYCZ1AB104KY	AB		J	Capacitor 0.1 10V Ceramic
C3334	RC-KZA576WJQZY	AB		J	Capacitor
C3336	RC-KZA616WJQZY	AB	N	J	Capacitor
C3337	VCKYCZ1AB104KY	AB		J	Capacitor 0.1 10V Ceramic
C3338	RC-KZA510WJPZY	AB		J	Capacitor
C3341	VCKYCZ1AB104KY	AB		J	Capacitor 0.1 10V Ceramic
C3342	VCKYCZ1AB104KY	AB		J	Capacitor 0.1 10V Ceramic
C3343	VCKYCZ1AB104KY	AB		J	Capacitor 0.1 10V Ceramic
C3344	RC-KZA576WJQZY	AB		J	Capacitor
C3345	RC-KZA616WJQZY	AB	N	J	Capacitor
C3346	VCKYCZ1AB104KY	AB		J	Capacitor 0.1 10V Ceramic
C3347	VCKYCZ1AB104KY	AB		J	Capacitor 0.1 10V Ceramic
C3348	RC-KZA616WJQZY	AB	N	J	Capacitor
C3350	RC-KZA576WJQZY	AB		J	Capacitor
C3351	VCKYCZ1HB472KY	AA		J	Capacitor 4700p 50V Ceramic
C3352	RC-KZA510WJPZY	AB		J	Capacitor
C3353	VCKYCZ1AB104KY	AB		J	Capacitor 0.1 10V Ceramic
C3354	VCKYCZ1AB104KY	AB		J	Capacitor 0.1 10V Ceramic
C3355	RC-KZA616WJQZY	AB	N	J	Capacitor
C3356	RC-KZA616WJQZY	AB	N	J	Capacitor
C3357	RC-KZA576WJQZY	AB		J	Capacitor
C3358	VCKYCZ1EB103KY	AA		J	Capacitor 0.01 25V Ceramic
C3359	VCKYCZ1HB472KY	AA		J	Capacitor 4700p 50V Ceramic
C3360	VCKYCZ1EB103KY	AA		J	Capacitor 0.01 25V Ceramic
C3361	VCKYCZ1AB104KY	AB		J	Capacitor 0.1 10V Ceramic
C3362	VCKYCZ1AB104KY	AB		J	Capacitor 0.1 10V Ceramic
C3363	VCKYCZ1EB103KY	AA		J	Capacitor 0.01 25V Ceramic
C3364	VCKYCZ1AB104KY	AB		J	Capacitor 0.1 10V Ceramic
C3365	VCKYCY1AB105KY	AB		J	Capacitor 1 10V Ceramic
C3366	RC-KZA576WJQZY	AB		J	Capacitor
C3367	VCKYCZ1AB104KY	AB		J	Capacitor 0.1 10V Ceramic
C3368	VCKYCZ1EB103KY	AA		J	Capacitor 0.01 25V Ceramic
C3369	VCKYCZ1EB103KY	AA		J	Capacitor 0.01 25V Ceramic
C3370	VCCCCZ1HH8R0DY	AA		J	Capacitor 80p 50V Ceramic
C3371	VCCCCZ1HH8R0DY	AA		J	Capacitor 80p 50V Ceramic
C3372	VCKYCZ1AB473KY	AB	N	J	Capacitor 0.047 10V Ceramic
C3373	VCKYCZ1AB473KY	AB	N	J	Capacitor 0.047 10V Ceramic
C3374	VCKYCZ1AB473KY	AB	N	J	Capacitor 0.047 10V Ceramic
C3375	VCKYCZ1AB473KY	AB	N	J	Capacitor 0.047 10V Ceramic
C3376	VCKYCZ1EB103KY	AA		J	Capacitor 0.01 25V Ceramic
C3377	VCKYCZ1EB103KY	AA		J	Capacitor 0.01 25V Ceramic
C3378	VCKYCZ1EB103KY	AA		J	Capacitor 0.01 25V Ceramic
C3379	VCKYCZ1EB103KY	AA		J	Capacitor 0.01 25V Ceramic
C3380	VCKYCZ1EB103KY	AA		J	Capacitor 0.01 25V Ceramic
C3381	VCKYCZ1EB103KY	AA		J	Capacitor 0.01 25V Ceramic
C3382	VCKYCZ1AB473KY	AB	N	J	Capacitor 0.047 10V Ceramic
C3383	VCKYCZ1EB103KY	AA		J	Capacitor 0.01 25V Ceramic
C3384	VCKYCZ1EB103KY	AA		J	Capacitor 0.01 25V Ceramic
C3385	VCKYCZ1EB103KY	AA		J	Capacitor 0.01 25V Ceramic
C3386	VCKYCZ1EB103KY	AA		J	Capacitor 0.01 25V Ceramic
C3387	VCKYCZ1EB103KY	AA		J	Capacitor 0.01 25V Ceramic
C3388	VCKYCZ1EB103KY	AA		J	Capacitor 0.01 25V Ceramic
C3389	RC-KZA510WJPZY	AB		J	Capacitor

NO.	PARTS CODE	PRICE RANK	NEW MARK	PART DELIVERY	DESCRIPTION
[3] DUNTKF111FM08 (MAIN Unit)					
C3390	RC-KZA510WJPZY	AB		J	Capacitor
C3391	VCKYCZ1AB473KY	AB	N	J	Capacitor 0.047 10V Ceramic
C3392	RC-KZA510WJPZY	AB		J	Capacitor
C3393	RC-KZA510WJPZY	AB		J	Capacitor
C3394	RC-KZA510WJPZY	AB		J	Capacitor
C3395	RC-KZA510WJPZY	AB		J	Capacitor
C3396	RC-KZA510WJPZY	AB		J	Capacitor
C3397	RC-KZA510WJPZY	AB		J	Capacitor
C3399	VCKYCZ1CB223KY	AC		J	Capacitor 0.022 16V Ceramic
C3400	VCKYCZ1AB104KY	AB		J	Capacitor 0.1 10V Ceramic
C3401	RC-KZA067WJZZY	AB		J	Capacitor
C3402	RC-KZA616WJQZY	AB	N	J	Capacitor
C3403	VCKYCZ1AB104KY	AB		J	Capacitor 0.1 10V Ceramic
C3404	VCKYCZ1AB473KY	AB	N	J	Capacitor 0.047 10V Ceramic
C3501	VCKYCZ1EF104ZY	AA		J	Capacitor 0.1 25V Ceramic
C3502	VCKYCZ1EF104ZY	AA		J	Capacitor 0.1 25V Ceramic
C3503	VCAAPE0JJ107MY	AE		J	Capacitor 100 6.3V Electrolytic
C3504	RC-KZA510WJPZY	AB		J	Capacitor
C3505	VCKYCZ1EF104ZY	AA		J	Capacitor 0.1 25V Ceramic
C3506	VCKYCZ1EF104ZY	AA		J	Capacitor 0.1 25V Ceramic
C3507	VCKYCZ1EF104ZY	AA		J	Capacitor 0.1 25V Ceramic
C3508	RC-KZA576WJQZY	AB		J	Capacitor
C3509	RC-KZA576WJQZY	AB		J	Capacitor
C3510	RC-KZA576WJQZY	AB		J	Capacitor
C3511	RC-KZA576WJQZY	AB		J	Capacitor
C3512	VCKYCZ1EF104ZY	AA		J	Capacitor 0.1 25V Ceramic
C3513	VCKYCZ1EF104ZY	AA		J	Capacitor 0.1 25V Ceramic
C3514	RC-KZA510WJPZY	AB		J	Capacitor
C3515	RC-KZA510WJPZY	AB		J	Capacitor
C3516	VCKYCZ1EF104ZY	AA		J	Capacitor 0.1 25V Ceramic
C3517	VCKYCZ1EF104ZY	AA		J	Capacitor 0.1 25V Ceramic
C3518	VCKYCZ1EF104ZY	AA		J	Capacitor 0.1 25V Ceramic
C3519	RC-KZA576WJQZY	AB		J	Capacitor
C3520	RC-KZA576WJQZY	AB		J	Capacitor
C3521	RC-KZA576WJQZY	AB		J	Capacitor
C3522	RC-KZA576WJQZY	AB		J	Capacitor
C3523	RC-KZA576WJQZY	AB		J	Capacitor
C3524	RC-KZA510WJPZY	AB		J	Capacitor
C4401	VGCCZ1HH120JY	AB		J	Capacitor 12p 50V Ceramic
C4402	RC-KZA510WJPZY	AB		J	Capacitor
C4403	VGCCZ1HH100DY	AB		J	Capacitor 10p 50V Ceramic
C4404	VCKYCZ1EF104ZY	AA		J	Capacitor 0.1 25V Ceramic
C4405	RC-KZA510WJPZY	AB		J	Capacitor
C4406	VCKYCZ1EF104ZY	AA		J	Capacitor 0.1 25V Ceramic
C4407	RC-KZA510WJPZY	AB		J	Capacitor
C4408	VCKYCZ1EF104ZY	AA		J	Capacitor 0.1 25V Ceramic
C4409	VCKYCZ1EF104ZY	AA		J	Capacitor 0.1 25V Ceramic
C4410	RC-KZA510WJPZY	AB		J	Capacitor
C4411	RC-KZA510WJPZY	AB		J	Capacitor
C4412	VCKYCZ1EF104ZY	AA		J	Capacitor 0.1 25V Ceramic
C4413	VCKYCZ1EF104ZY	AA		J	Capacitor 0.1 25V Ceramic
C4416	VCKYCZ1EF104ZY	AA		J	Capacitor 0.1 25V Ceramic
C4417	VCKYCZ1EF104ZY	AA		J	Capacitor 0.1 25V Ceramic
C4418	VCKYCZ1EF104ZY	AA		J	Capacitor 0.1 25V Ceramic
C4419	RC-KZA510WJPZY	AB		J	Capacitor
C4420	VCAAPD1AJ686MY	AE		J	Capacitor 68 10V Electrolytic
C4421	RC-KZA510WJPZY	AB		J	Capacitor
C4424	VCKYCY1AB105KY	AB		J	Capacitor 1 10V Ceramic
C4425	VCKYCY1AB105KY	AB		J	Capacitor 1 10V Ceramic
C4426	RC-KZA510WJPZY	AB		J	Capacitor
C4428	RC-KZA510WJPZY	AB		J	Capacitor
C8455	VCKYCZ1AB104KY	AB		J	Capacitor 0.1 10V Ceramic
C8456	VCKYCZ1AB104KY	AB		J	Capacitor 0.1 10V Ceramic
C8457	VCKYCZ1EF104ZY	AA		J	Capacitor 0.1 25V Ceramic
C8460	VCKYCZ1AB104KY	AB		J	Capacitor 0.1 10V Ceramic
C9601	VCKYCZ1HB472KY	AA		J	Capacitor 4700p 50V Ceramic
C9602	RC-KZA114WJZZY	AB		J	Capacitor
C9604	RC-KZA616WJQZY	AB	N	J	Capacitor
C9605	VCKYCZ1EF104ZY	AA		J	Capacitor 0.1 25V Ceramic
C9606	RC-KZA616WJQZY	AB	N	J	Capacitor
C9607	RC-KZA616WJQZY	AB	N	J	Capacitor
C9608	VCKYCY1AB105KY	AB		J	Capacitor 1 10V Ceramic
C9609	RC-KZA616WJQZY	AB	N	J	Capacitor
C9610	RC-KZA616WJQZY	AB	N	J	Capacitor
C9611	RC-KZA616WJQZY	AB	N	J	Capacitor
C9612	VCKYCZ1EB103KY	AA		J	Capacitor 0.01 25V Ceramic
C9613	VCKYCZ1AB104KY	AB		J	Capacitor 0.1 10V Ceramic
C9614	RC-KZA616WJQZY	AB	N	J	Capacitor
C9615	VCKYCZ1CB223KY	AC		J	Capacitor 0.022 16V Ceramic
C9616	RC-KZA616WJQZY	AB	N	J	Capacitor
C9618	RC-KZA616WJQZY	AB	N	J	Capacitor
C9619	VCKYCZ1EB682KY	AB		J	Capacitor 6800p 25V Ceramic
C9620	RC-KZA616WJQZY	AB	N	J	Capacitor
C9621	VCKYCZ1EF104ZY	AA		J	Capacitor 0.1 25V Ceramic
C9622	RC-KZA383WJZZY	AC		J	Capacitor

LC-32DH57E/RU/S

NO.	PARTS CODE	PRICE RANK	NEW MARK	PART DELIVERY	DESCRIPTION
[3] DUNTKF111FM08 (MAIN Unit)					
C9624	VCKYCZ1EB682KY	AB		J	Capacitor 6800p 25V Ceramic
C9625	RC-KZA114WJZZY	AB		J	Capacitor
C9626	VCKYCZ1CB223KY	AC		J	Capacitor 0.022 16V Ceramic
C9627	VCKYCZ1EB682KY	AB		J	Capacitor 6800p 25V Ceramic
C9628	VCKYCZ1EB103KY	AA		J	Capacitor 0.01 25V Ceramic
C9629	VCKYCZ1CB223KY	AC		J	Capacitor 0.022 16V Ceramic
C9630	RC-KZA616WJQZY	AB	N	J	Capacitor
C9631	VCKYCZ1EF104ZY	AA		J	Capacitor 0.1 25V Ceramic
C9632	VCKYCZ1EB682KY	AB		J	Capacitor 6800p 25V Ceramic
C9633	RC-KZA616WJQZY	AB	N	J	Capacitor
C9634	RC-KZA383WJZZY	AC		J	Capacitor
C9635	RC-KZA616WJQZY	AB	N	J	Capacitor
C9636	VCKYCZ1EF104ZY	AA		J	Capacitor 0.1 25V Ceramic
C9637	VCKYCZ1EF104ZY	AA		J	Capacitor 0.1 25V Ceramic
C9638	VCKYCZ1EF104ZY	AA		J	Capacitor 0.1 25V Ceramic
C9639	RC-KZA114WJZZY	AB		J	Capacitor
C9640	RC-KZA383WJZZY	AC		J	Capacitor
C9641	RC-KZA114WJZZY	AB		J	Capacitor
C9642	VCKYCZ1EB682KY	AB		J	Capacitor 6800p 25V Ceramic
C9643	VCKYCZ1CB223KY	AC		J	Capacitor 0.022 16V Ceramic
C9645	VCKYCZ1EB682KY	AB		J	Capacitor 6800p 25V Ceramic
C9646	RC-KZA510WJPZY	AB		J	Capacitor
C9647	VCKYCZ1EF104ZY	AA		J	Capacitor 0.1 25V Ceramic
C9649	RC-KZA383WJZZY	AC		J	Capacitor
C9651	RC-KZA114WJZZY	AB		J	Capacitor
C9652	RC-KZA114WJZZY	AB		J	Capacitor
C9654	VCAAPD1DJ476MY	AF		J	Capacitor 47 20V Electrolytic
C9655	VCCCCZ1HH101JY	AB		J	Capacitor 100p 50V Ceramic
C9657	VCCCCZ1HH101JY	AB		J	Capacitor 100p 50V Ceramic
C9658	VCCCCZ1HH101JY	AB		J	Capacitor 100p 50V Ceramic
C9659	VCCCCZ1HH101JY	AB		J	Capacitor 100p 50V Ceramic
C9664	VCCCCZ1HH101JY	AB		J	Capacitor 100p 50V Ceramic
C9665	VCCCCZ1HH101JY	AB		J	Capacitor 100p 50V Ceramic
C9666	RC-KZA616WJQZY	AB	N	J	Capacitor
C9667	VCKYCZ1EF104ZY	AA		J	Capacitor 0.1 25V Ceramic
C9668	VCKYCY1AB105KY	AB		J	Capacitor 1 10V Ceramic
C9670	RC-KZA114WJZZY	AB		J	Capacitor
C9671	VCKYCZ1EB103KY	AA		J	Capacitor 0.01 25V Ceramic
D504	RH-EXA512WJZZY	AB		J	Diode MAZ8039GHL
D505	RH-EXA554WJZZY	AB		J	Diode MAZ8150GML
D507	RH-EXA523WJZZY	AB		J	Diode MAZ8056GML
D508	RH-EXA523WJZZY	AB		J	Diode MAZ8056GML
D509	RH-EXA523WJZZY	AB		J	Diode MAZ8056GML
D510	RH-EXA523WJZZY	AB		J	Diode MAZ8056GML
D512	VHDKDS184//--1Y	AB		J	Diode KDS184-RTK/P
D513	RH-EXA554WJZZY	AB		J	Diode MAZ8150GML
D515	RH-EXA523WJZZY	AB		J	Diode MAZ8056GML
D516	RH-EXA535WJZZY	AM		J	Diode MAZ8082GML
D517	RH-EXA535WJZZY	AM		J	Diode MAZ8082GML
D518	RH-EXA535WJZZY	AM		J	Diode MAZ8082GML
D519	RH-EXA535WJZZY	AM		J	Diode MAZ8082GML
D520	VHPGPFV51V-1	AG		J	Diode Photodiode
D521	RH-EXA520WJZZY	AB		J	Diode MAZ8051GML
D522	RH-EXA520WJZZY	AB		J	Diode MAZ8051GML
D523	VHDMAZ9120H-1Y	AC		J	Diode MAZ91200H0L
D524	VHDMAZ9120H-1Y	AC		J	Diode MAZ91200H0L
D525	RH-EXA523WJZZY	AB		J	Diode MAZ8056GML
D528	RH-EXA550WJZZY	AB		J	Diode MAZ8130GML
D1101	RH-EXA535WJZZY	AM		J	Diode MAZ8082GML
D1102	VHDMA111G+-1Y	AA		J	Diode MA2J1110GL
D1301	VHDMA111G+-1Y	AA		J	Diode MA2J1110GL
D1508	VHDKDS184//--1Y	AB		J	Diode KDS184-RTK/P
D1509	VHDKDS184//--1Y	AB		J	Diode KDS184-RTK/P
D1510	VHDKDS184//--1Y	AB		J	Diode KDS184-RTK/P
D1513	VHDRB520S30-1Y	AC		J	Diode RB520S-30TE61
D3306	RH-EXA535WJZZY	AM		J	Diode MAZ8082GML
D3308	VHD1SS226//--1Y	AC		J	Diode 1SS226(T5L,F,T)
D3309	VHD1SS226//--1Y	AC		J	Diode 1SS226(T5L,F,T)
D3310	RH-EXA520WJZZY	AB		J	Diode MAZ8051GML
D3311	VHD1SS226//--1Y	AC		J	Diode 1SS226(T5L,F,T)
D3312	RH-EXA520WJZZY	AB		J	Diode MAZ8051GML
D3313	RH-EXA512WJZZY	AB		J	Diode MAZ8039GHL
D3314	RH-EXA512WJZZY	AB		J	Diode MAZ8039GHL
D3315	RH-EXA520WJZZY	AB		J	Diode MAZ8051GML
D3316	RH-EXA512WJZZY	AB		J	Diode MAZ8039GHL
D3317	RH-EXA512WJZZY	AB		J	Diode MAZ8039GHL
D3318	RH-EXA520WJZZY	AB		J	Diode MAZ8051GML
D3319	RH-EXA512WJZZY	AB		J	Diode MAZ8039GHL
D3320	RH-EXA512WJZZY	AB		J	Diode MAZ8039GHL
D3321	RH-EXA512WJZZY	AB		J	Diode MAZ8039GHL
D3322	RH-PXA037WJZZY	AB		J	Diode SML-310MTT86
D3323	RH-EXA512WJZZY	AB		J	Diode MAZ8039GHL
D3324	VHD1SS226//--1Y	AC		J	Diode 1SS226(T5L,F,T)
D9601	VHDMA111G+-1Y	AA		J	Diode MA2J1110GL
D9602	RH-EXA526WJZZY	AB		J	Diode MAZ8062GML

NO.	PARTS CODE	PRICE RANK	NEW MARK	PART DELIVERY	DESCRIPTION
[3] DUNTKF111FM08 (MAIN Unit)					
D9603	VHDMA111G++-1Y	AA		J	Diode MA2J1110GL
D9604	VHDMA111G++-1Y	AA		J	Diode MA2J1110GL
D9605	RH-EXA514WJZZY	AB		J	Diode MAZ8043GML
D9606	VHD1SS226// -1Y	AC		J	Diode 1SS226(T5L,F,T)
D9607	VHDMA111G++-1Y	AA		J	Diode MA2J1110GL
D9608	RH-EXA502WJZZY		N	J	Diode MAZ8024G0L
D9609	VHDMA111G++-1Y	AA		J	Diode MA2J1110GL
D9610	VHDRB056L40-1Y	AC		J	Diode RB056L-40TE25
D9611	VHDRB056L40-1Y	AC		J	Diode RB056L-40TE25
D9612	VHDRB056L40-1Y	AC		J	Diode RB056L-40TE25
D9613	VHDRB056L40-1Y	AC		J	Diode RB056L-40TE25
D9616	VHDMA111G++-1Y	AA		J	Diode MA2J1110GL
D9617	VHDRB056L40-1Y	AC		J	Diode RB056L-40TE25
FB501	RBLN-0077TAZZY	AB		J	Ferrite Bead
FB502	RBLN-0077TAZZY	AB		J	Ferrite Bead
FB503	RBLN-0077TAZZY	AB		J	Ferrite Bead
FB504	RBLN-0061TAZZY	AD		J	Ferrite Bead
FB505	RBLN-0061TAZZY	AD		J	Ferrite Bead
FB506	RBLN-0061TAZZY	AD		J	Ferrite Bead
FB507	RBLN-0061TAZZY	AD		J	Ferrite Bead
FB508	RBLN-0077TAZZY	AB		J	Ferrite Bead
FB510	RBLN-0077TAZZY	AB		J	Ferrite Bead
FB511	RBLN-0077TAZZY	AB		J	Ferrite Bead
FB512	RBLN-0077TAZZY	AB		J	Ferrite Bead
FB513	RBLN-0077TAZZY	AB		J	Ferrite Bead
FB514	RBLN-0077TAZZY	AB		J	Ferrite Bead
FB515	RBLN-0077TAZZY	AB		J	Ferrite Bead
FB516	RBLN-0077TAZZY	AB		J	Ferrite Bead
FB517	RBLN-0077TAZZY	AB		J	Ferrite Bead
FB518	RBLN-0077TAZZY	AB		J	Ferrite Bead
FB519	RBLN-0077TAZZY	AB		J	Ferrite Bead
FB520	RBLN-0077TAZZY	AB		J	Ferrite Bead
FB521	RBLN-0077TAZZY	AB		J	Ferrite Bead
FB522	RBLN-0077TAZZY	AB		J	Ferrite Bead
FB523	RBLN-0061TAZZY	AD		J	Ferrite Bead
FB524	RBLN-0077TAZZY	AB		J	Ferrite Bead
FB525	RBLN-0061TAZZY	AD		J	Ferrite Bead
FB526	RBLN-0077TAZZY	AB		J	Ferrite Bead
FB527	RBLN-0061TAZZY	AD		J	Ferrite Bead
FB528	RBLN-0077TAZZY	AB		J	Ferrite Bead
FB529	RBLN-0077TAZZY	AB		J	Ferrite Bead
FB1504	RBLN-A192WJZZY	AA		J	Ferrite Bead
FB2601	RBLN-A375WJQZY	AA	N	J	Ferrite Bead
FB2602	RBLN-A375WJQZY	AA	N	J	Ferrite Bead
FB2604	RBLN-A375WJQZY	AA	N	J	Ferrite Bead
FB2605	RBLN-A375WJQZY	AA	N	J	Ferrite Bead
FB2606	RBLN-A375WJQZY	AA	N	J	Ferrite Bead
FB2607	RBLN-A375WJQZY	AA	N	J	Ferrite Bead
FB2608	RBLN-A375WJQZY	AA	N	J	Ferrite Bead
FB2610	RBLN-0077TAZZY	AB		J	Ferrite Bead
FB2611	RBLN-0077TAZZY	AB		J	Ferrite Bead
FB2614	RBLN-0077TAZZY	AB		J	Ferrite Bead
FB2616	RBLN-0077TAZZY	AB		J	Ferrite Bead
FB2617	RBLN-0077TAZZY	AB		J	Ferrite Bead
FB2623	RBLN-0077TAZZY	AB		J	Ferrite Bead
FB2629	RBLN-0077TAZZY	AB		J	Ferrite Bead
FB3301	RBLN-0061TAZZY	AD		J	Ferrite Bead
FB3303	RBLN-A192WJZZY	AA		J	Ferrite Bead
FB3304	RBLN-0061TAZZY	AD		J	Ferrite Bead
FB3305	RBLN-0061TAZZY	AD		J	Ferrite Bead
FB3306	RBLN-0061TAZZY	AD		J	Ferrite Bead
FB3307	RBLN-A188WJZZY	AA		J	Ferrite Bead
FB3308	RBLN-0061TAZZY	AD		J	Ferrite Bead
FB3309	RBLN-A188WJZZY	AA		J	Ferrite Bead
FB3310	RBLN-0061TAZZY	AD		J	Ferrite Bead
FB3311	RBLN-A188WJZZY	AA		J	Ferrite Bead
FB3312	RBLN-0061TAZZY	AD		J	Ferrite Bead
FB3314	RBLN-A188WJZZY	AA		J	Ferrite Bead
FB3315	RBLN-A188WJZZY	AA		J	Ferrite Bead
FB3316	RBLN-A188WJZZY	AA		J	Ferrite Bead
FB3317	RBLN-A188WJZZY	AA		J	Ferrite Bead
FB3318	RBLN-A192WJZZY	AA		J	Ferrite Bead
FB4401	RBLN-A192WJZZY	AA		J	Ferrite Bead
FB4402	RBLN-A192WJZZY	AA		J	Ferrite Bead
FB4403	RBLN-A192WJZZY	AA		J	Ferrite Bead
FB4405	RBLN-A192WJZZY	AA		J	Ferrite Bead
FB4406	RBLN-A192WJZZY	AA		J	Ferrite Bead
FB9603	RBLN-A303WJZZY	AB		J	Ferrite Bead
FB9604	RBLN-A303WJZZY	AB		J	Ferrite Bead
FB9605	RBLN-A303WJZZY	AB		J	Ferrite Bead
FB9606	RBLN-A303WJZZY	AB		J	Ferrite Bead
FB9607	RBLN-A371WJQZY		N	J	Ferrite Bead
FB9608	RBLN-A371WJQZY		N	J	Ferrite Bead
FL501	RF iLN0003TAZZY	AD		J	Filter
FL502	RF iLN0003TAZZY	AD		J	Filter

LC-32DH57E/RU/S

NO.	PARTS CODE	PRICE RANK	NEW MARK	PART DELIVERY	DESCRIPTION
[3] DUNTKF111FM08 (MAIN Unit)					
FL503	RFiLN0003TAAZZY	AD		J	Filter
FL504	RFiLN0017TAAZZY	AC		J	Filter
FL507	RFiLN0017TAAZZY	AC		J	Filter
FL508	RFiLN0017TAAZZY	AC		J	Filter
FL509	RFiLN0017TAAZZY	AC		J	Filter
FL510	RFiLN0017TAAZZY	AC		J	Filter
FL511	RFiLN0017TAAZZY	AC		J	Filter
FL512	RFiLN0017TAAZZY	AC		J	Filter
FL513	RFiLN0017TAAZZY	AC		J	Filter
FL514	RFiLN0003TAAZZY	AD		J	Filter
FL515	RFiLN0003TAAZZY	AD		J	Filter
FL516	RFiLN0003TAAZZY	AD		J	Filter
FL517	RFiLN0017TAAZZY	AC		J	Filter
FL3301	RFiLNA119WJZZY	AC		J	Filter
FL3302	RFiLNA119WJZZY	AC		J	Filter
FL3303	RFiLNA119WJZZY	AC		J	Filter
FL3304	RFiLNA119WJZZY	AC		J	Filter
FL3501	RFiLNA119WJZZY	AC		J	Filter
FL3502	RFiLNA119WJZZY	AC		J	Filter
IC501	VHiBR24C21F-1Y	AG		J	IC BR24C21F-E2
IC503	VHiT7SET08U1EY	AC		J	IC TC7SET08FU(5L,JF,T
IC504	VHiMM1506XN-1Y	AD		J	IC MM1506XNRE
IC506	VHiM3221EIP-1Y	AK		J	IC MAX3221EIPower
IC507	VHiMM1507XN-1Y	AD		J	IC MM1507XNRE
IC508	VHiMM1756AU-1Y	AD	N	J	IC MM1756AURE
IC1101	VHiPQ1KA503-1Y	AD		J	IC PQ1KA503MZPH
IC1301	VHiAK4341ED-1Y		N	J	IC AK4341ETD
IC1302	VHiMT8292N+-1Q		N	J	IC MT8292N
IC1303	VHiS80944NM-1Y	AC	N	J	IC S-80944CNMC-G9ET2G
IC1508	VHiSii91873-1Q			J	IC Sii9187ACNU
IC2601	VHiHC2G66DP-1Y	AD	N	J	IC 74HC2G66DP,125
IC2701	VHiYDA148QZ-1Y	AL	N	J	IC YDA148-QZE2
IC3302	VHiBD6538G+-1Y	AD		J	IC BD6538G-TR
IC3303	RH-iXC758WJQZQ		N	J	IC MT5362ANG-B
IC3304	VHiS80928NM-1Y		N	J	IC S-80928CNMC-G8YT2G
IC3305	VHiS80920NM-1Y		N	J	IC S-80920CNMC-G8QT2G
IC3501	RH-iXC505WJQZQ	AY		J	IC K4T51163QG-HCF7
IC3502	RH-iXC505WJQZQ	AY		J	IC K4T51163QG-HCF7
IC4401	VHiMT8295AE-1Q		N	J	IC MT8295AE
IC4402	VHiAOZ1320C-1Y	AE		J	IC AOZ1320CI-04
IC8401	RH-iXC721WJQZQ	AR	N	J	IC HY27US08121B-TPCB
IC8403	RH-iXC788WJN2Y		N	J	IC
IC8455	VHiBR24S64F-1Y	AF	N	J	IC BR24S64F-WE2
IC9601	VHiHC2G66DP-1Y	AD	N	J	IC 74HC2G66DP,125
IC9602	VHiAOZ1320C-1Y	AE		J	IC AOZ1320CI-04
IC9603	VHiMM3141YN-1Y	AC	N	J	IC MM3141YNRE
IC9604	VHiLV58072M-1Y		N	J	IC LV58072MX-TLM-H
IC9605	VHiLV5893M+-1Y	AE	N	J	IC LV5893M-TE-L-E
IC9606	VHiLV5805M+-1Y	AG		J	IC LV5805M-TE-L-E
IC9607	VHiS80944NM-1Y	AC	N	J	IC S-80944CNMC-G9ET2G
IC9608	VHiLV5893M+-1Y	AE	N	J	IC LV5893M-TE-L-E
IC9610	VHiPQ1LAX95-1Y	AD		J	IC PQ1LAX95MSPQ
IC9611	VHiTCR5SB25-1Y	AD		J	IC TCR5SB25(TE85L,F)
J501	QJAKJ0008GEZZ	AD		J	Jack
J502	QJAKFA061WJZZ	AE		J	Jack
J503	QJAKGA131WJZZ	AG		J	Jack
J504	QJAKJ0047CEZZ	AD		J	Jack
J505	QJAKGA079WJZZ	AD		J	Jack
J506	QJAKFA061WJZZ	AE		J	Jack
J3301	QSOCZA172WJQZ	AD		J	Jack
L501	VPCNN120J1R9NY	AB		J	Peaking 12μH
L502	VPCNN120J1R9NY	AB		J	Peaking 12μH
L503	VPCNN2R2JR77NY	AB		J	Peaking 2.2μH
L504	VPCNN2R2JR77NY	AB		J	Peaking 2.2μH
L1102	VPSBN2R2JR54NY	AB		J	Peaking 2.2μH
L1103	VPSBN100J1R2NY	AB		J	Peaking 10μH
L1104	VPSBN2R2JR54NY	AB		J	Peaking 2.2μH
L1301	VPSBN2R2JR54NY	AB		J	Peaking 2.2μH
L1302	VPSBN2R2JR54NY	AB		J	Peaking 2.2μH
L2613	RCiLFA119WJZZY	AE		J	Coil
L2614	RCiLFA119WJZZY	AE		J	Coil
L2617	RCiLFA119WJZZY	AE		J	Coil
L2701	RCiLPA899WJZZY	AC		J	Coil
L2702	RCiLPA899WJZZY	AC		J	Coil
L2703	RCiLPA899WJZZY	AC		J	Coil
L2704	RCiLPA899WJZZY	AC		J	Coil
L3301	RCiLFA228WJZZY	AD		J	Coil
L9601	RCiLPA758WJQZY	AC		J	Coil
L9602	RCiLPA899WJZZY	AC		J	Coil
L9603	RCiLPA760WJQZY	AD		J	Coil
L9604	RCiLPA899WJZZY	AC		J	Coil
LUG9601	QLUGHA009WJZZY	AC		J	Lug
LUG9602	QLUGHA009WJZZY	AC		J	Lug
LUG9603	QLUGHA009WJZZY	AC		J	Lug
LUG9604	QLUGHA009WJZZY	AC		J	Lug

NO.	PARTS CODE	PRICE RANK	NEW MARK	PART DELIVERY	DESCRIPTION
[3] DUNTKF111FM08 (MAIN Unit)					
LUG9605	QLUGHA009WJZZY	AC		J	Lug
LUG9607	QLUGHA009WJZZY	AC		J	Lug
LUG9608	QLUGHA009WJZZY	AC		J	Lug
P2601	QCNCWA671WJQZY	AH		J	Plug
P2604	QPLGNA335WJZZY	AD		J	Plug
P2701	QPLGNA173WJZZY	AD		J	Plug
P3301	QPLGNA331WJZZY	AD		J	Plug
P9601	QPLGNA168WJZZY	AF		J	Plug
P9602	QPLGNA328WJZZY	AD		J	Plug
Q501	VSIMH23T110-1Y	AC		J	Transistor IMH23T110
Q502	VSIMH23T110-1Y	AC		J	Transistor IMH23T110
Q503	VS2SA1530AR-1Y	AB		J	Transistor 2SA1530A-T112-1R
Q504	VS2SA1530AR-1Y	AB		J	Transistor 2SA1530A-T112-1R
Q505	VSLTC144EEB-1Y	AA	N	J	Transistor LTC144EEBFS8TL
Q506	VSIMH23T110-1Y	AC		J	Transistor IMH23T110
Q507	VS2SA1530AR-1Y	AB		J	Transistor 2SA1530A-T112-1R
Q508	VS2SA1530AR-1Y	AB		J	Transistor 2SA1530A-T112-1R
Q509	VSIMH23T110-1Y	AC		J	Transistor IMH23T110
Q1101	VS2SC3928AR-1Y	AB		J	Transistor 2SC3928A-T112-1R
Q1102	VS2SA1530AR-1Y	AB		J	Transistor 2SA1530A-T112-1R
Q1105	HH-TXA026WJZZY	AD		J	Transistor PBL52001D,115
Q1106	VSLTA124EEB-1Y	AA	N	J	Transistor LTA124EEBFS8TL
Q1301	VS2SC3928AR-1Y	AB		J	Transistor 2SC3928A-T112-1R
Q1508	VSKTA1535T+-1Y	AC		J	Transistor KTA1535T-RTK/P
Q1509	VSKRC402E+-1Y	AB		J	Transistor
Q2603	VSLTC144EEB-1Y	AA	N	J	Transistor LTC144EEBFS8TL
Q2701	VSDTC614TK+-1Y	AB		J	Transistor DTC614TKT146
Q9601	VSLTC144EEB-1Y	AA	N	J	Transistor LTC144EEBFS8TL
Q9602	VSLTA124EEB-1Y	AA	N	J	Transistor LTA124EEBFS8TL
Q9605	VSLTC144EEB-1Y	AA	N	J	Transistor LTC144EEBFS8TL
Q9606	VRS050P03-1Y	AG		J	Transistor RSS050P03TB
Q9607	VS2SC3928AR-1Y	AB		J	Transistor 2SC3928A-T112-1R
Q9608	VSLTA124EEB-1Y	AA	N	J	Transistor LTA124EEBFS8TL
R504	VRS-CZ1JF222FY	AA		J	Resistor 2.2k 1/16W Metal Oxide
R505	VRS-TQ2EF750JY	AA		J	Resistor 75 1/4W Metal Oxide
R506	VRS-TQ2EF750JY	AA		J	Resistor 75 1/4W Metal Oxide
R507	VRS-TQ2EF750JY	AA		J	Resistor 75 1/4W Metal Oxide
R508	VRS-CZ1JF682FY	AA		J	Resistor 6.8k 1/16W Metal Oxide
R511	VRS-CZ1JF102JY	AA		J	Resistor 1k 1/16W Metal Oxide
R512	VRS-CZ1JF102JY	AA		J	Resistor 1k 1/16W Metal Oxide
R513	VRS-TQ2EF680JY	AA		J	Resistor 68 1/4W Metal Oxide
R514	VRS-CZ1JF104JY	AA		J	Resistor 100k 1/16W Metal Oxide
R515	VRS-CZ1JF222FY	AA		J	Resistor 2.2k 1/16W Metal Oxide
R516	VRS-TQ2EF101JY	AA		J	Resistor 100 1/4W Metal Oxide
R517	VRS-CZ1JF104JY	AA		J	Resistor 100k 1/16W Metal Oxide
R518	VRS-TQ2EF680JY	AA		J	Resistor 68 1/4W Metal Oxide
R519	VRS-TQ2EF750JY	AA		J	Resistor 75 1/4W Metal Oxide
R520	VRS-CZ1JF682FY	AA		J	Resistor 6.8k 1/16W Metal Oxide
R522	VRS-CZ1JF561JY	AA		J	Resistor 560 1/16W Metal Oxide
R523	VRS-CZ1JF102JY	AA		J	Resistor 1k 1/16W Metal Oxide
R524	VRS-CZ1JF102JY	AA		J	Resistor 1k 1/16W Metal Oxide
R530	VRS-TQ2EF750JY	AA		J	Resistor 75 1/4W Metal Oxide
R531	VRS-TQ2EF750JY	AA		J	Resistor 75 1/4W Metal Oxide
R533	VRS-CZ1JF561JY	AA		J	Resistor 560 1/16W Metal Oxide
R535	VRS-TQ2EF750JY	AA		J	Resistor 75 1/4W Metal Oxide
R537	VRS-TQ2EF750JY	AA		J	Resistor 75 1/4W Metal Oxide
R538	VRK-SA1JF472JY	AA		J	Resistor 4.7k 1/16W Metal Composition
R541	VRS-TQ2EF750JY	AA		J	Resistor 75 1/4W Metal Oxide
R544	VRS-TQ2EF750JY	AA		J	Resistor 75 1/4W Metal Oxide
R547	VRK-SB1FF101JY	AA		J	Resistor 100 1/32W Metal Composition
R549	VRS-CZ1JF102JY	AA		J	Resistor 1k 1/16W Metal Oxide
R551	VRS-CZ1JF102JY	AA		J	Resistor 1k 1/16W Metal Oxide
R552	VRS-TV1JD221JY	AA		J	Resistor 220 1/10W Metal Oxide
R553	VRS-TV1JD221JY	AA		J	Resistor 220 1/10W Metal Oxide
R554	VRS-CZ1JF104JY	AA		J	Resistor 100k 1/16W Metal Oxide
R555	VRS-CZ1JF104JY	AA		J	Resistor 100k 1/16W Metal Oxide
R556	VRS-TV1JD221JY	AA		J	Resistor 220 1/10W Metal Oxide
R557	VRS-CZ1JF102JY	AA		J	Resistor 1k 1/16W Metal Oxide
R558	VRS-CZ1JF102JY	AA		J	Resistor 1k 1/16W Metal Oxide
R559	VRS-TV1JD221JY	AA		J	Resistor 220 1/10W Metal Oxide
R560	VRS-CZ1JF104JY	AA		J	Resistor 100k 1/16W Metal Oxide
R561	VRS-CZ1JF104JY	AA		J	Resistor 100k 1/16W Metal Oxide
R562	VRS-CZ1JF104JY	AA		J	Resistor 100k 1/16W Metal Oxide
R563	VRS-CZ1JF104JY	AA		J	Resistor 100k 1/16W Metal Oxide
R564	VRS-CZ1JF102JY	AA		J	Resistor 1k 1/16W Metal Oxide
R565	VRS-CZ1JF102JY	AA		J	Resistor 1k 1/16W Metal Oxide
R566	VRS-CZ1JF564JY	AB		J	Resistor 560k 1/16W Metal Oxide
R567	VRS-CZ1JF104JY	AA		J	Resistor 100k 1/16W Metal Oxide
R568	VRS-CZ1JF104JY	AA		J	Resistor 100k 1/16W Metal Oxide
R569	VRS-CZ1JF564JY	AB		J	Resistor 560k 1/16W Metal Oxide
R570	VRS-CZ1JF564JY	AB		J	Resistor 560k 1/16W Metal Oxide
R571	VRS-CZ1JF564JY	AB		J	Resistor 560k 1/16W Metal Oxide
R572	VRK-SA1JF331JY	AA		J	Resistor 330 1/16W Metal Composition
R573	VRK-SA1JF331JY	AA		J	Resistor 330 1/16W Metal Composition
R574	VRS-CZ1JF104JY	AA		J	Resistor 100k 1/16W Metal Oxide

NO.	PARTS CODE	PRICE RANK	NEW MARK	PART DELIVERY	DESCRIPTION
[3] DUNTKF111FM08 (MAIN Unit)					
R575	VRS-CZ1JF102JY	AA		J	Resistor 1k 1/16W Metal Oxide
R576	VRS-CZ1JF102JY	AA		J	Resistor 1k 1/16W Metal Oxide
R577	VRK-SA1JF272JY	AA		J	Resistor 2.7k 1/16W Metal Composition
R578	VRS-CZ1JF102JY	AA		J	Resistor 1k 1/16W Metal Oxide
R579	VRS-CZ1JF102JY	AA		J	Resistor 1k 1/16W Metal Oxide
R580	VRS-CZ1JF104JY	AA		J	Resistor 100k 1/16W Metal Oxide
R581	VRS-CZ1JF101JY	AA		J	Resistor 100 1/16W Metal Oxide
R582	VRS-CZ1JF472JY	AA		J	Resistor 4.7k 1/16W Metal Oxide
R584	VRS-TQ2EF560JY	AA		J	Resistor 56 1/4W Metal Oxide
R586	VRS-TQ2EF560JY	AA		J	Resistor 56 1/4W Metal Oxide
R588	VRS-CZ1JF102JY	AA		J	Resistor 1k 1/16W Metal Oxide
R589	VRS-TQ2EF560JY	AA		J	Resistor 56 1/4W Metal Oxide
R590	VRS-TW2ED101JY	AA		J	Resistor 100 1/4W Metal Oxide
R591	VRS-CZ1JF104JY	AA		J	Resistor 100k 1/16W Metal Oxide
R592	VRS-CZ1JF101JY	AA		J	Resistor 100 1/16W Metal Oxide
R593	VRS-TW2ED101JY	AA		J	Resistor 100 1/4W Metal Oxide
R594	VRS-CZ1JF104JY	AA		J	Resistor 100k 1/16W Metal Oxide
R595	VRS-CZ1JF472JY	AA		J	Resistor 4.7k 1/16W Metal Oxide
R597	VRS-CZ1JF101JY	AA		J	Resistor 100 1/16W Metal Oxide
R599	VRS-TQ2EF750JY	AA		J	Resistor 75 1/4W Metal Oxide
R600	VRS-CZ1JF104JY	AA		J	Resistor 100k 1/16W Metal Oxide
R601	VRS-CY1JF000JY	AA		J	Resistor 0 1/16W Metal Oxide
R602	VRS-CZ1JF473JY	AA		J	Resistor 47k 1/16W Metal Oxide
R603	VRS-CY1JF000JY	AA		J	Resistor 0 1/16W Metal Oxide
R604	VRS-CZ1JF103JY	AA		J	Resistor 10k 1/16W Metal Oxide
R605	VRS-CZ1JF104JY	AA		J	Resistor 100k 1/16W Metal Oxide
R606	VRS-TW2ED101JY	AA		J	Resistor 100 1/4W Metal Oxide
R607	VRS-TW2ED101JY	AA		J	Resistor 100 1/4W Metal Oxide
R608	VRS-TV1JD101JY	AA		J	Resistor 100 1/10W Metal Oxide
R609	VRS-TV1JD101JY	AA		J	Resistor 100 1/10W Metal Oxide
R610	VRS-CZ1JF104JY	AA		J	Resistor 100k 1/16W Metal Oxide
R611	VRS-CZ1JF221JY	AA		J	Resistor 220 1/16W Metal Oxide
R612	VRS-CZ1JF561JY	AA		J	Resistor 560 1/16W Metal Oxide
R613	VRS-TV1JD101JY	AA		J	Resistor 100 1/10W Metal Oxide
R614	VRS-CZ1JF102JY	AA		J	Resistor 1k 1/16W Metal Oxide
R615	VRS-CZ1JF470JY	AA		J	Resistor 47 1/16W Metal Oxide
R616	VRS-CZ1JF104JY	AA		J	Resistor 100k 1/16W Metal Oxide
R617	VRS-CZ1JF221JY	AA		J	Resistor 220 1/16W Metal Oxide
R618	VRS-CZ1JF561JY	AA		J	Resistor 560 1/16W Metal Oxide
R619	VRS-CZ1JF102JY	AA		J	Resistor 1k 1/16W Metal Oxide
R620	VRS-CZ1JF103JY	AA		J	Resistor 10k 1/16W Metal Oxide
R621	VRS-CZ1JF564JY	AB		J	Resistor 560k 1/16W Metal Oxide
R622	VRS-CZ1JF564JY	AB		J	Resistor 560k 1/16W Metal Oxide
R623	VRS-CZ1JF472JY	AA		J	Resistor 4.7k 1/16W Metal Oxide
R624	VRS-CZ1JF472JY	AA		J	Resistor 4.7k 1/16W Metal Oxide
R625	VRS-CZ1JF102JY	AA		J	Resistor 1k 1/16W Metal Oxide
R626	VRS-CZ1JF101JY	AA		J	Resistor 100 1/16W Metal Oxide
R629	VRS-CZ1JF180JY	AA	N	J	Resistor 18 1/16W Metal Oxide
R630	VRS-CZ1JF180JY	AA	N	J	Resistor 18 1/16W Metal Oxide
R631	VRS-CZ1JF180JY	AA	N	J	Resistor 18 1/16W Metal Oxide
R633	VRS-CY1JF000JY	AA		J	Resistor 0 1/16W Metal Oxide
R635	VRS-CY1JF000JY	AA		J	Resistor 0 1/16W Metal Oxide
R636	VRS-CY1JF000JY	AA		J	Resistor 0 1/16W Metal Oxide
R639	VRS-CZ1JF221JY	AA		J	Resistor 220 1/16W Metal Oxide
R640	VRS-CZ1JF472JY	AA		J	Resistor 4.7k 1/16W Metal Oxide
R1102	VRK-SA1JF101JY	AC		J	Resistor 100 1/16W Metal Composition
R1103	VRS-CZ1JF000JY	AA		J	Resistor 0 1/16W Metal Oxide
R1109	VRS-CZ1JF103JY	AA		J	Resistor 10k 1/16W Metal Oxide
R1110	VRS-CZ1JF392JY	AA		J	Resistor 3.9k 1/16W Metal Oxide
R1112	VRS-CZ1JF391JY	AA		J	Resistor 390 1/16W Metal Oxide
R1113	VRS-CZ1JF151JY	AA		J	Resistor 150 1/16W Metal Oxide
R1114	VRS-CZ1JF100JY	AA		J	Resistor 10 1/16W Metal Oxide
R1115	VRS-CZ1JF391JY	AA		J	Resistor 390 1/16W Metal Oxide
R1118	VRK-SA1JF472JY	AA		J	Resistor 4.7k 1/16W Metal Composition
R1120	VRS-CZ1JF103JY	AA		J	Resistor 10k 1/16W Metal Oxide
R1121	VRS-CZ1JF103JY	AA		J	Resistor 10k 1/16W Metal Oxide
R1122	VRS-CZ1JF273JY	AA		J	Resistor 27k 1/16W Metal Oxide
R1123	VRS-CZ1JF273JY	AA		J	Resistor 27k 1/16W Metal Oxide
R1124	VRS-CZ1JF273JY	AA		J	Resistor 27k 1/16W Metal Oxide
R1125	VRS-CZ1JF273JY	AA		J	Resistor 27k 1/16W Metal Oxide
R1126	VRS-CZ1JF273JY	AA		J	Resistor 27k 1/16W Metal Oxide
R1127	VRS-CZ1JF273JY	AA		J	Resistor 27k 1/16W Metal Oxide
R1128	VRS-CZ1JF273JY	AA		J	Resistor 27k 1/16W Metal Oxide
R1129	VRS-CZ1JF273JY	AA		J	Resistor 27k 1/16W Metal Oxide
R1130	VRS-CZ1JF273JY	AA		J	Resistor 27k 1/16W Metal Oxide
R1131	VRS-CZ1JF273JY	AA		J	Resistor 27k 1/16W Metal Oxide
R1143	VRS-CZ1JF472JY	AA		J	Resistor 4.7k 1/16W Metal Oxide
R1144	VRS-CZ1JF000JY	AA		J	Resistor 0 1/16W Metal Oxide
R1145	VRS-CZ1JF000JY	AA		J	Resistor 0 1/16W Metal Oxide
R1152	VRS-CZ1JF000JY	AA		J	Resistor 0 1/16W Metal Oxide
R1153	VRS-CZ1JF000JY	AA		J	Resistor 0 1/16W Metal Oxide
R1154	VRS-CZ1JF561JY	AA		J	Resistor 560 1/16W Metal Oxide
R1155	VRS-CZ1JF103JY	AA		J	Resistor 10k 1/16W Metal Oxide
R1157	VRS-CZ1JF000JY	AA		J	Resistor 0 1/16W Metal Oxide
R1301	VRS-CZ1JF102JY	AA		J	Resistor 1k 1/16W Metal Oxide

NO.	PARTS CODE	PRICE RANK	NEW MARK	PART DELIVERY	DESCRIPTION
[3] DUNTKF111FM08 (MAIN Unit)					
R1302	VRS-CZ1JF103JY	AA		J	Resistor 10k 1/16W Metal Oxide
R1304	VRS-CZ1JF103JY	AA		J	Resistor 10k 1/16W Metal Oxide
R1305	VRS-CZ1JF103JY	AA		J	Resistor 10k 1/16W Metal Oxide
R1306	VRS-CZ1JF000JY	AA		J	Resistor 0 1/16W Metal Oxide
R1307	VRS-CZ1JF000JY	AA		J	Resistor 0 1/16W Metal Oxide
R1308	VRS-CZ1JF391JY	AA		J	Resistor 390 1/16W Metal Oxide
R1309	VRS-CZ1JF391JY	AA		J	Resistor 390 1/16W Metal Oxide
R1310	VRS-CZ1JF391JY	AA		J	Resistor 390 1/16W Metal Oxide
R1311	VRS-CZ1JF391JY	AA		J	Resistor 390 1/16W Metal Oxide
R1312	VRS-CZ1JF391JY	AA		J	Resistor 390 1/16W Metal Oxide
R1313	VRS-CZ1JF391JY	AA		J	Resistor 390 1/16W Metal Oxide
R1314	VRS-CZ1JF473JY	AA		J	Resistor 47k 1/16W Metal Oxide
R1315	VRS-CZ1JF473JY	AA		J	Resistor 47k 1/16W Metal Oxide
R1316	VRS-CZ1JF473JY	AA		J	Resistor 47k 1/16W Metal Oxide
R1317	VRS-CZ1JF473JY	AA		J	Resistor 47k 1/16W Metal Oxide
R1318	VRS-CZ1JF473JY	AA		J	Resistor 47k 1/16W Metal Oxide
R1319	VRS-CZ1JF473JY	AA		J	Resistor 47k 1/16W Metal Oxide
R1336	VRS-CZ1JF153JY	AA		J	Resistor 15k 1/16W Metal Oxide
R1337	VRS-CZ1JF123JY	AA		J	Resistor 12k 1/16W Metal Oxide
R1338	VRS-CZ1JF103JY	AA		J	Resistor 10k 1/16W Metal Oxide
R1339	VRS-CZ1JF102JY	AA		J	Resistor 1k 1/16W Metal Oxide
R1507	VRS-CZ1JF273JY	AA		J	Resistor 27k 1/16W Metal Oxide
R1508	VRK-SA1JF473JY	AC		J	Resistor 47k 1/16W Metal Composition
R1509	VRK-SA1JF473JY	AC		J	Resistor 47k 1/16W Metal Composition
R1510	VRK-SA1JF473JY	AC		J	Resistor 47k 1/16W Metal Composition
R1515	VRS-CZ1JF000JY	AA		J	Resistor 0 1/16W Metal Oxide
R1520	VRS-CZ1JF000JY	AA		J	Resistor 0 1/16W Metal Oxide
R1523	VRS-CZ1JF000JY	AA		J	Resistor 0 1/16W Metal Oxide
R1532	VRS-CZ1JF102JY	AA		J	Resistor 1k 1/16W Metal Oxide
R1534	VRS-CZ1JF102JY	AA		J	Resistor 1k 1/16W Metal Oxide
R1536	VRS-CZ1JF102JY	AA		J	Resistor 1k 1/16W Metal Oxide
R1538	VRS-CZ1JF331JY	AA		J	Resistor 330 1/16W Metal Oxide
R1539	VRS-CZ1JF103JY	AA		J	Resistor 10k 1/16W Metal Oxide
R1544	VRK-SA1JF473JY	AC		J	Resistor 47k 1/16W Metal Composition
R1545	VRK-SA1JF100JY	AB		J	Resistor 10 1/16W Metal Composition
R1547	VRS-CZ1JF103JY	AA		J	Resistor 10k 1/16W Metal Oxide
R1548	VRS-CZ1JF472JY	AA		J	Resistor 4.7k 1/16W Metal Oxide
R1549	VRS-CZ1JF222JY	AA		J	Resistor 2.2k 1/16W Metal Oxide
R1550	VRS-CZ1JF100JY	AA		J	Resistor 10 1/16W Metal Oxide
R1551	VRS-CZ1JF332JY	AA		J	Resistor 3.3k 1/16W Metal Oxide
R1552	VRS-CZ1JF332JY	AA		J	Resistor 3.3k 1/16W Metal Oxide
R1554	VRK-SA1JF100JY	AB		J	Resistor 10 1/16W Metal Composition
R1555	VRK-SA1JF100JY	AB		J	Resistor 10 1/16W Metal Composition
R1556	VRK-SA1JF473JY	AC		J	Resistor 47k 1/16W Metal Composition
R1564	VRS-CZ1JF103JY	AA		J	Resistor 10k 1/16W Metal Oxide
R1565	VRS-CZ1JF103JY	AA		J	Resistor 10k 1/16W Metal Oxide
R1567	VRS-CZ1JF332JY	AA		J	Resistor 3.3k 1/16W Metal Oxide
R1569	VRS-CZ1JF100JY	AA		J	Resistor 10 1/16W Metal Oxide
R1570	VRK-SA1JF100JY	AB		J	Resistor 10 1/16W Metal Composition
R1572	VRS-CZ1JF332JY	AA		J	Resistor 3.3k 1/16W Metal Oxide
R1573	VRS-CZ1JF100JY	AA		J	Resistor 10 1/16W Metal Oxide
R1574	VRS-CZ1JF103JY	AA		J	Resistor 10k 1/16W Metal Oxide
R1575	VRS-CZ1JF100JY	AA		J	Resistor 10 1/16W Metal Oxide
R2607	VRS-CZ1JF103JY	AA		J	Resistor 10k 1/16W Metal Oxide
R2608	VRS-CZ1JF103JY	AA		J	Resistor 10k 1/16W Metal Oxide
R2609	VRS-CZ1JF103JY	AA		J	Resistor 10k 1/16W Metal Oxide
R2610	VRS-CZ1JF103JY	AA		J	Resistor 10k 1/16W Metal Oxide
R2611	VRS-CZ1JF470JY	AA		J	Resistor 47 1/16W Metal Oxide
R2612	VRS-CZ1JF103JY	AA		J	Resistor 10k 1/16W Metal Oxide
R2619	VRS-CZ1JF000JY	AA		J	Resistor 0 1/16W Metal Oxide
R2620	VRS-CZ1JF000JY	AA		J	Resistor 0 1/16W Metal Oxide
R2635	VRS-CZ1JF103JY	AA		J	Resistor 10k 1/16W Metal Oxide
R2636	VRS-CZ1JF104JY	AA		J	Resistor 100k 1/16W Metal Oxide
R2639	VRS-CZ1JF104JY	AA		J	Resistor 100k 1/16W Metal Oxide
R2702	VRK-SA1JF331JY	AA		J	Resistor 330 1/16W Metal Composition
R2710	VRK-SA1JF103JY	AB		J	Resistor 10k 1/16W Metal Composition
R2711	VRS-CZ1JF274FY	AA		J	Resistor 270k 1/16W Metal Oxide
R2712	VRS-CZ1JF104FY	AB		J	Resistor 100k 1/16W Metal Oxide
R2713	VRS-CZ1JF000JY	AA		J	Resistor 0 1/16W Metal Oxide
R2714	VRS-CZ1JF474JY	AA		J	Resistor 470k 1/16W Metal Oxide
R2716	VRS-CZ1JF103JY	AA		J	Resistor 10k 1/16W Metal Oxide
R2718	VRS-CZ1JF562JY	AA		J	Resistor 5.6k 1/16W Metal Oxide
R2720	VRS-TV1JD000JY	AA		J	Resistor 0 1/10W Metal Oxide
R2721	VRS-TV1JD000JY	AA		J	Resistor 0 1/10W Metal Oxide
R2722	VRS-TV1JD000JY	AA		J	Resistor 0 1/10W Metal Oxide
R2723	VRS-TV1JD000JY	AA		J	Resistor 0 1/10W Metal Oxide
R2725	VRS-CZ1JF224JY	AA		J	Resistor 220k 1/16W Metal Oxide
R2726	VRS-CZ1JF103JY	AA		J	Resistor 10k 1/16W Metal Oxide
R2727	VRS-CZ1JF472JY	AA		J	Resistor 4.7k 1/16W Metal Oxide
R2728	VRK-SA1JF473JY	AC		J	Resistor 47k 1/16W Metal Composition
R3302	VRS-CZ1JF102FY	AA		J	Resistor 1k 1/16W Metal Oxide
R3304	VRS-CZ1JF393FY	AA		J	Resistor 39k 1/16W Metal Oxide
R3308	VRS-CZ1JF103FY	AB		J	Resistor 10k 1/16W Metal Oxide
R3309	VRS-CZ1JF333FY	AA		J	Resistor 33k 1/16W Metal Oxide
R3310	VRS-CZ1JF333FY	AA		J	Resistor 33k 1/16W Metal Oxide

LC-32DH57E/RU/S

NO.	PARTS CODE	PRICE RANK	NEW MARK	PART DELIVERY	DESCRIPTION
[3] DUNTKF111FM08 (MAIN Unit)					
R3312	VRS-CZ1JF102FY	AA		J	Resistor 1k 1/16W Metal Oxide
R3313	VRS-CZ1JF102FY	AA		J	Resistor 1k 1/16W Metal Oxide
R3314	VRS-CZ1JF102FY	AA		J	Resistor 1k 1/16W Metal Oxide
R3315	VRS-CZ1JF103JY	AA		J	Resistor 10k 1/16W Metal Oxide
R3317	VRS-CZ1JF101JY	AA		J	Resistor 100 1/16W Metal Oxide
R3318	VRS-CZ1JF512FY	AA		J	Resistor 5.1k 1/16W Metal Oxide
R3319	VRS-CZ1JF330JY	AA		J	Resistor 33 1/16W Metal Oxide
R3320	VRS-CZ1JF330JY	AA		J	Resistor 33 1/16W Metal Oxide
R3321	VRS-CZ1JF470JY	AA		J	Resistor 47 1/16W Metal Oxide
R3322	VRS-CZ1JF1R0JY	AA		J	Resistor 1 1/16W Metal Oxide
R3323	VRS-CZ1JF470JY	AA		J	Resistor 47 1/16W Metal Oxide
R3324	VRS-CZ1JF470JY	AA		J	Resistor 47 1/16W Metal Oxide
R3325	VRS-CZ1JF561FY	AA		J	Resistor 560 1/16W Metal Oxide
R3326	VRS-CZ1JF470JY	AA		J	Resistor 47 1/16W Metal Oxide
R3328	VRS-CZ1JF470JY	AA		J	Resistor 47 1/16W Metal Oxide
R3329	VRS-CZ1JF103JY	AA		J	Resistor 10k 1/16W Metal Oxide
R3330	VRS-CZ1JF470JY	AA		J	Resistor 47 1/16W Metal Oxide
R3333	VRS-CZ1JF470JY	AA		J	Resistor 47 1/16W Metal Oxide
R3334	VRS-CZ1JF472JY	AA		J	Resistor 4.7k 1/16W Metal Oxide
R3339	VRS-CZ1JF105JY	AA		J	Resistor 1M 1/16W Metal Oxide
R3340	VRS-CZ1JF391JY	AA		J	Resistor 390 1/16W Metal Oxide
R3341	VRS-CZ1JF390JY	AA	N	J	Resistor 39 1/16W Metal Oxide
R3342	VRS-CZ1JF390JY	AA	N	J	Resistor 39 1/16W Metal Oxide
R3343	VRK-SB1FF470JY	AA		J	Resistor 47 1/32W Metal Composition
R3344	VRS-CZ1JF472JY	AA		J	Resistor 4.7k 1/16W Metal Oxide
R3346	VRS-CZ1JF472JY	AA		J	Resistor 4.7k 1/16W Metal Oxide
R3348	VRS-CZ1JF472JY	AA		J	Resistor 4.7k 1/16W Metal Oxide
R3350	VRS-CZ1JF472JY	AA		J	Resistor 4.7k 1/16W Metal Oxide
R3352	VRS-CZ1JF472JY	AA		J	Resistor 4.7k 1/16W Metal Oxide
R3353	VRS-CZ1JF103JY	AA		J	Resistor 10k 1/16W Metal Oxide
R3355	VRS-CZ1JF472JY	AA		J	Resistor 4.7k 1/16W Metal Oxide
R3356	VRK-SA1JF472JY	AA		J	Resistor 4.7k 1/16W Metal Composition
R3357	VRS-CZ1JF472JY	AA		J	Resistor 4.7k 1/16W Metal Oxide
R3360	VRS-CZ1JF472JY	AA		J	Resistor 4.7k 1/16W Metal Oxide
R3361	VRS-CZ1JF103JY	AA		J	Resistor 10k 1/16W Metal Oxide
R3362	VRS-CZ1JF680JY	AB		J	Resistor 68 1/16W Metal Oxide
R3363	VRS-CZ1JF680JY	AB		J	Resistor 68 1/16W Metal Oxide
R3364	VRS-CZ1JF680JY	AB		J	Resistor 68 1/16W Metal Oxide
R3365	VRS-CZ1JF101JY	AA		J	Resistor 100 1/16W Metal Oxide
R3366	VRS-CZ1JF101JY	AA		J	Resistor 100 1/16W Metal Oxide
R3367	VRS-CZ1JF101JY	AA		J	Resistor 100 1/16W Metal Oxide
R3368	VRS-CZ1JF101JY	AA		J	Resistor 100 1/16W Metal Oxide
R3369	VRS-CZ1JF680JY	AB		J	Resistor 68 1/16W Metal Oxide
R3370	VRS-CZ1JF680JY	AB		J	Resistor 68 1/16W Metal Oxide
R3371	VRS-CZ1JF680JY	AB		J	Resistor 68 1/16W Metal Oxide
R3372	VRS-CZ1JF000JY	AA		J	Resistor 0 1/16W Metal Oxide
R3373	VRS-CZ1JF103JY	AA		J	Resistor 10k 1/16W Metal Oxide
R3374	VRS-CZ1JF000JY	AA		J	Resistor 0 1/16W Metal Oxide
R3376	VRS-CZ1JF101JY	AA		J	Resistor 100 1/16W Metal Oxide
R3377	VRS-CZ1JF101JY	AA		J	Resistor 100 1/16W Metal Oxide
R3378	VRS-CZ1JF101JY	AA		J	Resistor 100 1/16W Metal Oxide
R3379	VRS-CZ1JF470JY	AA		J	Resistor 47 1/16W Metal Oxide
R3380	VRS-CZ1JF470JY	AA		J	Resistor 47 1/16W Metal Oxide
R3381	VRS-CZ1JF470JY	AA		J	Resistor 47 1/16W Metal Oxide
R3382	VRS-CZ1JF470JY	AA		J	Resistor 47 1/16W Metal Oxide
R3383	VRS-CZ1JF470JY	AA		J	Resistor 47 1/16W Metal Oxide
R3384	VRS-CZ1JF470JY	AA		J	Resistor 47 1/16W Metal Oxide
R3385	VRS-CZ1JF101JY	AA		J	Resistor 100 1/16W Metal Oxide
R3386	VRS-CZ1JF103JY	AA		J	Resistor 10k 1/16W Metal Oxide
R3388	VRS-CZ1JF680JY	AB		J	Resistor 68 1/16W Metal Oxide
R3389	VRS-CZ1JF680JY	AB		J	Resistor 68 1/16W Metal Oxide
R3390	VRS-CZ1JF680JY	AB		J	Resistor 68 1/16W Metal Oxide
R3391	VRS-CZ1JF470JY	AA		J	Resistor 47 1/16W Metal Oxide
R3392	VRS-CZ1JF470JY	AA		J	Resistor 47 1/16W Metal Oxide
R3393	VRS-CZ1JF470JY	AA		J	Resistor 47 1/16W Metal Oxide
R3394	VRS-CZ1JF470JY	AA		J	Resistor 47 1/16W Metal Oxide
R3395	VRS-CZ1JF470JY	AA		J	Resistor 47 1/16W Metal Oxide
R3396	VRS-CZ1JF470JY	AA		J	Resistor 47 1/16W Metal Oxide
R3397	VRS-CZ1JF470JY	AA		J	Resistor 47 1/16W Metal Oxide
R3398	VRS-CZ1JF101JY	AA		J	Resistor 100 1/16W Metal Oxide
R3400	VRS-CZ1JF472JY	AA		J	Resistor 4.7k 1/16W Metal Oxide
R3401	VRS-CZ1JF472JY	AA		J	Resistor 4.7k 1/16W Metal Oxide
R3402	VRS-CZ1JF472JY	AA		J	Resistor 4.7k 1/16W Metal Oxide
R3404	VRS-CZ1JF472JY	AA		J	Resistor 4.7k 1/16W Metal Oxide
R3405	VRS-CZ1JF472JY	AA		J	Resistor 4.7k 1/16W Metal Oxide
R3407	VRS-CZ1JF102JY	AA		J	Resistor 1k 1/16W Metal Oxide
R3408	VRS-CZ1JF220JY	AA		J	Resistor 22 1/16W Metal Oxide
R3409	VRS-CZ1JF220JY	AA		J	Resistor 22 1/16W Metal Oxide
R3410	VRS-CZ1JF472JY	AA		J	Resistor 4.7k 1/16W Metal Oxide
R3501	VRS-CZ1JF220JY	AA		J	Resistor 22 1/16W Metal Oxide
R3502	VRS-CZ1JF220JY	AA		J	Resistor 22 1/16W Metal Oxide
R3504	VRS-CZ1JF220JY	AA		J	Resistor 22 1/16W Metal Oxide
R3505	VRS-CZ1JF220JY	AA		J	Resistor 22 1/16W Metal Oxide
R3506	VRS-CZ1JF220JY	AA		J	Resistor 22 1/16W Metal Oxide
R3507	VRS-CZ1JF220JY	AA		J	Resistor 22 1/16W Metal Oxide

NO.	PARTS CODE	PRICE RANK	NEW MARK	PART DELIVERY	DESCRIPTION
[3] DUNTKF111FM08 (MAIN Unit)					
R3508	VRK-SA1JF000JY	AB		J	Resistor 0 1/16W Metal Composition
R3509	VRK-SA1JF000JY	AB		J	Resistor 0 1/16W Metal Composition
R3510	VRK-SB1FF220JY	AA		J	Resistor 22 1/32W Metal Composition
R3513	VRK-SB1FF220JY	AA		J	Resistor 22 1/32W Metal Composition
R3514	VRK-SB1FF220JY	AA		J	Resistor 22 1/32W Metal Composition
R3515	VRS-CZ1JF102FY	AA		J	Resistor 1k 1/16W Metal Oxide
R3516	VRS-CZ1JF102FY	AA		J	Resistor 1k 1/16W Metal Oxide
R3517	VRK-SB1FF220JY	AA		J	Resistor 22 1/32W Metal Composition
R3527	VRS-CZ1JF101JY	AA		J	Resistor 100 1/16W Metal Oxide
R3550	VRS-CZ1JF101JY	AA		J	Resistor 100 1/16W Metal Oxide
R4401	VRK-SB1FF470JY	AA		J	Resistor 47 1/32W Metal Composition
R4402	VRS-CZ1JF105JY	AA		J	Resistor 1M 1/16W Metal Oxide
R4403	VRS-CZ1JF472FY	AA		J	Resistor 4.7k 1/16W Metal Oxide
R4404	VRS-CZ1JF000JY	AA		J	Resistor 0 1/16W Metal Oxide
R4405	VRS-CZ1JF472FY	AA		J	Resistor 4.7k 1/16W Metal Oxide
R4406	VRK-SB1FF470JY	AA		J	Resistor 47 1/32W Metal Composition
R4407	VRK-SB1FF470JY	AA		J	Resistor 47 1/32W Metal Composition
R4408	VRK-SB1FF470JY	AA		J	Resistor 47 1/32W Metal Composition
R4409	VRK-SB1FF470JY	AA		J	Resistor 47 1/32W Metal Composition
R4410	VRK-SB1FF470JY	AA		J	Resistor 47 1/32W Metal Composition
R4411	VRK-SB1FF470JY	AA		J	Resistor 47 1/32W Metal Composition
R4412	VRK-SB1FF470JY	AA		J	Resistor 47 1/32W Metal Composition
R4413	VRK-SB1FF470JY	AA		J	Resistor 47 1/32W Metal Composition
R4414	VRK-SB1FF470JY	AA		J	Resistor 47 1/32W Metal Composition
R4415	VRS-CZ1JF103JY	AA		J	Resistor 10k 1/16W Metal Oxide
R4416	VRS-CZ1JF103JY	AA		J	Resistor 10k 1/16W Metal Oxide
R4417	VRS-CZ1JF103JY	AA		J	Resistor 10k 1/16W Metal Oxide
R4418	VRS-CZ1JF103JY	AA		J	Resistor 10k 1/16W Metal Oxide
R4420	VRS-CZ1JF103JY	AA		J	Resistor 10k 1/16W Metal Oxide
R4421	VRS-CZ1JF103JY	AA		J	Resistor 10k 1/16W Metal Oxide
R4422	VRS-CZ1JF101JY	AA		J	Resistor 100 1/16W Metal Oxide
R4423	VRS-CZ1JF103JY	AA		J	Resistor 10k 1/16W Metal Oxide
R4424	VRS-CZ1JF333JY	AA		J	Resistor 33k 1/16W Metal Oxide
R4425	VRS-CZ1JF103JY	AA		J	Resistor 10k 1/16W Metal Oxide
R4426	VRK-SB1FF470JY	AA		J	Resistor 47 1/32W Metal Composition
R4427	VRK-SB1FF470JY	AA		J	Resistor 47 1/32W Metal Composition
R4428	VRK-SB1FF470JY	AA		J	Resistor 47 1/32W Metal Composition
R4429	VRS-CZ1JF103JY	AA		J	Resistor 10k 1/16W Metal Oxide
R4430	VRS-CZ1JF103JY	AA		J	Resistor 10k 1/16W Metal Oxide
R4432	VRS-CZ1JF103JY	AA		J	Resistor 10k 1/16W Metal Oxide
R4433	VRS-CZ1JF103JY	AA		J	Resistor 10k 1/16W Metal Oxide
R4434	VRS-CZ1JF103JY	AA		J	Resistor 10k 1/16W Metal Oxide
R4435	VRS-CZ1JF103JY	AA		J	Resistor 10k 1/16W Metal Oxide
R4437	VRS-CZ1JF470JY	AA		J	Resistor 47 1/16W Metal Oxide
R4438	VRS-CZ1JF472FY	AA		J	Resistor 4.7k 1/16W Metal Oxide
R4439	VRK-SA1JF472JY	AA		J	Resistor 4.7k 1/16W Metal Composition
R4440	VRK-SB1FF470JY	AA		J	Resistor 47 1/32W Metal Composition
R4441	VRK-SB1FF470JY	AA		J	Resistor 47 1/32W Metal Composition
R4442	VRK-SB1FF470JY	AA		J	Resistor 47 1/32W Metal Composition
R4443	VRK-SB1FF470JY	AA		J	Resistor 47 1/32W Metal Composition
R4444	VRS-CZ1JF472FY	AA		J	Resistor 4.7k 1/16W Metal Oxide
R4447	VRS-CZ1JF472FY	AA		J	Resistor 4.7k 1/16W Metal Oxide
R4448	VRS-CZ1JF472FY	AA		J	Resistor 4.7k 1/16W Metal Oxide
R4449	VRS-CZ1JF472FY	AA		J	Resistor 4.7k 1/16W Metal Oxide
R8451	VRS-CZ1JF470JY	AA		J	Resistor 47 1/16W Metal Oxide
R8452	VRS-CZ1JF000JY	AA		J	Resistor 0 1/16W Metal Oxide
R8453	VRS-CZ1JF472FY	AA		J	Resistor 4.7k 1/16W Metal Oxide
R8455	VRS-CZ1JF472FY	AA		J	Resistor 4.7k 1/16W Metal Oxide
R8458	VRK-SB1FF000JY	AA		J	Resistor 0 1/32W Metal Composition
R8459	VRK-SB1FF000JY	AA		J	Resistor 0 1/32W Metal Composition
R8462	VRS-CZ1JF000JY	AA		J	Resistor 0 1/16W Metal Oxide
R8463	VRS-CZ1JF000JY	AA		J	Resistor 0 1/16W Metal Oxide
R8480	VRK-SA1JF100JY	AB		J	Resistor 10 1/16W Metal Composition
R9602	VRS-CY1JF000JY	AA		J	Resistor 0 1/16W Metal Oxide
R9604	VRS-CZ1JF000JY	AA		J	Resistor 0 1/16W Metal Oxide
R9606	VRS-CZ1JF102JY	AA		J	Resistor 1k 1/16W Metal Oxide
R9608	VRS-CZ1JF000JY	AA		J	Resistor 0 1/16W Metal Oxide
R9610	VRS-CZ1JF472JY	AA		J	Resistor 4.7k 1/16W Metal Oxide
R9612	VRS-CZ1JF101JY	AA		J	Resistor 100 1/16W Metal Oxide
R9613	VRS-CZ1JF101JY	AA		J	Resistor 100 1/16W Metal Oxide
R9617	VRS-CZ1JF101JY	AA		J	Resistor 100 1/16W Metal Oxide
R9618	VRS-CZ1JF474JY	AA		J	Resistor 470k 1/16W Metal Oxide
R9619	VRS-CY1JF000JY	AA		J	Resistor 0 1/16W Metal Oxide
R9620	VRS-CZ1JF432FY	AA	N	J	Resistor 4.3k 1/16W Metal Oxide
R9621	VRS-CZ1JF103FY	AB		J	Resistor 10k 1/16W Metal Oxide
R9622	VRS-CZ1JF101JY	AA		J	Resistor 100 1/16W Metal Oxide
R9624	VRS-CZ1JF101JY	AA		J	Resistor 100 1/16W Metal Oxide
R9625	VRS-CZ1JF333JY	AA		J	Resistor 33k 1/16W Metal Oxide
R9628	VRS-CZ1JF473FY	AA		J	Resistor 47k 1/16W Metal Oxide
R9629	VRS-CZ1JF153FY	AA		J	Resistor 15k 1/16W Metal Oxide
R9630	VRS-CZ1JF153FY	AA		J	Resistor 15k 1/16W Metal Oxide
R9631	VRS-CZ1JF123FY	AA		J	Resistor 12k 1/16W Metal Oxide
R9632	VRS-CZ1JF102JY	AA		J	Resistor 1k 1/16W Metal Oxide
R9633	VRS-CZ1JF101JY	AA		J	Resistor 100 1/16W Metal Oxide
R9634	VRS-CZ1JF3R9JY	AA	N	J	Resistor 3.9 1/16W Metal Oxide

LC-32DH57E/RU/S

NO.	PARTS CODE	PRICE RANK	NEW MARK	PART DELIVERY	DESCRIPTION
[3] DUNTKF111FM08 (MAIN Unit)					
R9635	VRS-CZ1JF103JY	AA		J	Resistor 10k 1/16W Metal Oxide
R9636	VRS-CZ1JF103JY	AA		J	Resistor 10k 1/16W Metal Oxide
R9637	VRS-CZ1JF101JY	AA		J	Resistor 100 1/16W Metal Oxide
R9638	VRS-CZ1JF303FY	AA		J	Resistor 30k 1/16W Metal Oxide
R9639	VRS-CZ1JF562JY	AA		J	Resistor 5.6k 1/16W Metal Oxide
R9640	VRS-CZ1JF562FY	AA		J	Resistor 5.6k 1/16W Metal Oxide
R9641	VRS-CZ1JF101JY	AA		J	Resistor 100 1/16W Metal Oxide
R9642	VRS-CZ1JF103JY	AA		J	Resistor 10k 1/16W Metal Oxide
R9643	VRS-CZ1JF101JY	AA		J	Resistor 100 1/16W Metal Oxide
R9644	VRS-CZ1JF000JY	AA		J	Resistor 0 1/16W Metal Oxide
R9645	VRS-CZ1JF102JY	AA		J	Resistor 1k 1/16W Metal Oxide
R9646	VRS-CZ1JF000JY	AA		J	Resistor 0 1/16W Metal Oxide
R9647	VRS-CZ1JF222JY	AA		J	Resistor 2.2k 1/16W Metal Oxide
R9648	VRS-CZ1JF103JY	AA		J	Resistor 10k 1/16W Metal Oxide
R9649	VRS-CZ1JF102JY	AA		J	Resistor 1k 1/16W Metal Oxide
R9650	VRS-CZ1JF101JY	AA		J	Resistor 100 1/16W Metal Oxide
R9652	VRS-CZ1JF101JY	AA		J	Resistor 100 1/16W Metal Oxide
R9653	VRS-TW2HF1R0JY	AA		J	Resistor 1 1/2W Metal Oxide
R9654	VRS-TW2HF1R0JY	AA		J	Resistor 1 1/2W Metal Oxide
R9655	VRS-TW2HF1R0JY	AA		J	Resistor 1 1/2W Metal Oxide
R9656	VRS-CZ1JF101JY	AA		J	Resistor 100 1/16W Metal Oxide
R9657	VRS-CZ1JF753FY	AA		J	Resistor 75k 1/16W Metal Oxide
R9658	VRS-CZ1JF123FY	AA		J	Resistor 12k 1/16W Metal Oxide
R9659	VRS-TW2HF1R0JY	AA		J	Resistor 1 1/2W Metal Oxide
R9660	VRS-TW2HF1R0JY	AA		J	Resistor 1 1/2W Metal Oxide
R9661	VRS-TW2HF3R3JY	AA		J	Resistor 3.3 1/2W Metal Oxide
R9662	VRS-TW2HF3R3JY	AA		J	Resistor 3.3 1/2W Metal Oxide
R9664	VRS-CZ1JF105JY	AA		J	Resistor 1M 1/16W Metal Oxide
R9665	VRS-CZ1JF101JY	AA		J	Resistor 100 1/16W Metal Oxide
R9666	VRS-CZ1JF102JY	AA		J	Resistor 1k 1/16W Metal Oxide
R9667	VRS-CZ1JF101JY	AA		J	Resistor 100 1/16W Metal Oxide
RDA3301	PRDARA577WJFW	AF		J	Heat Sink
SC501	QSOCNA770WJZZ	AG		J	Socket
SC502	QSOCZA161WJZZ	AG		J	Socket
SC503	QSOCZA161WJZZ	AG		J	Socket
SC504	QSOCNA769WJZZ	AG		J	Socket
SC1501	QSOCZA173WJQZY	AG	N	J	Socket
SC1502	QSOCZA173WJQZY	AG	N	J	Socket
SC1503	QSOCZA072WJZZQ	AH		J	Socket
SC4401	QCNCMA332WJSA		N	J	Connector
TH3301	VHMH103J03-1Y	AC		J	Thermistor
TU1102	RTUDAA019WJQZ	AZ		J	Tuner
VA3301	RH-VXA194WJZZY	AC		J	Varistor AVRL161A1R1NTB
VA3302	RH-VXA194WJZZY	AC		J	Varistor AVRL161A1R1NTB
X3301	RCRSCA207WJQZY		N	J	Crystal
X4401	RCRSCA039WJZZY	AG		J	Crystal
N	PSPA3B312WJKZ	AD		J	Spacer
[4] DUNTKF115FM02 (LED Unit)					
C104	RC-KZA195WJZZY	AB		J	Capacitor, 10 10V Ceramic
C105	VCKYCY1HF103ZY	AA		J	Capacitor 0.01 50V Ceramic
C106	VCEASX0JN107MY	AC		J	Capacitor 100 6.3V Electrolytic
D103	RH-PX0421CEZZY	AD		J	Diode CL-165HR/YG-D-T
IC101	VHIGA1S100W-1Y	AE		J	IC GA1A1S100WP
P101	QPLGNA341WJZZY	AD		J	Plug
Q102	VS2SC3928AR-1Y	AB		J	Transistor 2SC3928A-T112-1R
Q103	VS2SC3928AR-1Y	AB		J	Transistor 2SC3928A-T112-1R
R101	VRS-CY1JF101JY	AA		J	Resistor 100 1/16W Metal Oxide
R102	VRS-CY1JF103JY	AA		J	Resistor 10k 1/16W Metal Oxide
R104	VRS-CY1JF103JY	AA		J	Resistor 10k 1/16W Metal Oxide
R108	VRS-CY1JF161JY	AA		J	Resistor 160 1/16W Metal Oxide
R109	VRS-CY1JF821JY	AA		J	Resistor 820 1/16W Metal Oxide
R135	VRS-CY1JF000JY	AA		J	Resistor 0 1/16W Metal Oxide
RMC101	RRMCA053WJZZ	AE		J	Remote Receiver
SLD101	PSLDPA076WJFW	AD		J	Shield Case Shield
[5] DUNTKF069FM05 (KEY Unit)					
D151	RH-EX0646GEZZY	AA		J	Diode MTZJT-7215B
D152	RH-EX0646GEZZY	AA		J	Diode MTZJT-7215B
D155	RH-EX0646GEZZY	AA		J	Diode MTZJT-7215B
P151	QPLGNA058WJZZ	AC		J	Plug
R151	VRD-RA2BE822JY	AA		J	Resistance 8.2k 1/8W Carbon
R152	VRD-RA2BE123JY	AA		J	Resistance 12k 1/8W Carbon
R153	VRD-RA2BE822JY	AA		J	Resistance 8.2k 1/8W Carbon
R154	VRD-RA2BE123JY	AA		J	Resistance 12k 1/8W Carbon
S151	QSW-K0003AJZZ+	AB		J	Switch
S152	QSW-K0003AJZZ+	AB		J	Switch
S153	QSW-K0003AJZZ+	AB		J	Switch
S154	QSW-K0003AJZZ+	AB		J	Switch
S155	QSW-K0003AJZZ+	AB		J	Switch
S156	QSW-K0003AJZZ+	AB		J	Switch
S157	QSW-K0003AJZZ+	AB		J	Switch

NO.	PARTS CODE	PRICE RANK	NEW MARK	PART DELIVERY	DESCRIPTION	
[6] DUNTKF063FM01 (POWER Unit)						
△	C7002	RC-FZA562WJZZ	AC	N	J	Capacitor
△	C7011	RC-KZA550WJZZ	AC	N	J	Capacitor
△	C7021	RC-FZA560WJZZ	AC		J	Capacitor
△	C7024	RC-KZA550WJZZ	AC	N	J	Capacitor
△	C7027	RC-KZA550WJZZ	AC	N	J	Capacitor
	C7101	VCKYCY1CB224KY	AB		J	Capacitor 0.22 16V Ceramic
	C7102	VGCCCY1HH122JY	AA		J	Capacitor 1200p 50V Ceramic
	C7105	VCKYCY1HB104KY	AA		J	Capacitor 0.1 50V Ceramic
	C7106	VCKYCY1HB471KY	AA		J	Capacitor 470p 50V Ceramic
△	C7108	RC-FZA358WJZZ	AF		J	Capacitor
	C7109	VCKYTV1HB102KY	AA		J	Capacitor 1000p 50V Ceramic
	C7110	RC-KZA304WJZZ+	AC		J	Capacitor
	C7111	RC-KZA304WJZZ+	AC		J	Capacitor
	C7112	RC-EZB586WJZZ	AM		J	Capacitor
	C7113	RC-EZB294WJZZ+	AB		J	Capacitor
△	C7114	RC-FZA358WJZZ	AF		J	Capacitor
	C7201	RC-EZB326WJZZ+	AB		J	Capacitor
	C7202	RC-EZB325WJZZ+	AB		J	Capacitor
	C7203	VCKYTV1EB474KY	AC		J	Capacitor 0.47 25V Ceramic
	C7204	VCKYCY1EB104KY	AB		J	Capacitor 0.1 25V Ceramic
	C7206	VCKYTV1HB103KY	AA		J	Capacitor 0.01 50V Ceramic
	C7207	RC-EZB593WJZZ+	AC	N	J	Capacitor
	C7208	VGCSPH3DL331J+	AC	N	V	Capacitor 330p 2000V Ceramic
	C7209	RC-EZA489WJZZ+	AC		J	Capacitor
	C7210	RC-FZA564WJZZ	AD	N	J	Capacitor
	C7211	VCKYCY1HB102KY	AA		J	Capacitor 1000p 50V Ceramic
△	C7212	RC-KZA499WJZZ	AC		J	Capacitor
△	C7213	RC-KZA499WJZZ	AC		J	Capacitor
	C7214	VCKYCY1EB104KY	AB		J	Capacitor 0.1 25V Ceramic
	C7215	VCKYCY1HB104KY	AA		J	Capacitor 0.1 50V Ceramic
	C7217	VCKYTV1EB104KY	AB		J	Capacitor 0.1 25V Ceramic
	C7218	RC-KZA267WJZZ+	AC		J	Capacitor
	C7219	VCKYCY1EB104KY	AB		J	Capacitor 0.1 25V Ceramic
	C7220	RC-EZA480WJZZ+	AD		J	Capacitor
	C7221	RC-EZB539WJZZ+	AE	N	J	Capacitor
	C7222	RC-EZA480WJZZ+	AD		J	Capacitor
	C7223	RC-EZB539WJZZ+	AE	N	J	Capacitor
	C7224	VCKYCY1HB104KY	AA		J	Capacitor 0.1 50V Ceramic
	C7225	VCKYCY1EB104KY	AB		J	Capacitor 0.1 25V Ceramic
	C7226	VCKYCY1HB104KY	AA		J	Capacitor 0.1 50V Ceramic
	C7227	RC-EZB294WJZZ+	AB		J	Capacitor
	C7228	RC-EZA480WJZZ+	AD		J	Capacitor
	C7229	VCKYCY1HB102KY	AA		J	Capacitor 1000p 50V Ceramic
	C7231	RC-KZA733WJZZY	AC	N	J	Capacitor
	CN7001	QEARPA210WJQZ+	AB		J	Connector Ground Part
	CN7002	QEARPA210WJQZ+	AB		J	Connector Ground Part
	CN7003	QEARPA210WJQZ+	AB		J	Connector Ground Part
	CN7004	QEARPA210WJQZ+	AB		J	Connector Ground Part
	D7103	VHDM111G++-1Y	AA		J	Diode MA2J1110GL
△	D7104	RH-DXA068WJZZS	AE		J	Diode D3SB60-7000
	D7105	VHDM111G++-1Y	AA		J	Diode MA2J1110GL
	D7106	VHDL1114++-1Y	AC		J	Diode L114
	D7108	RH-EXA359WJZZY	AE		J	Diode PTZTE2533B
	D7109	VHDB1160M40-1Y	AC		J	Diode RB160M-40TR
	D7111	VHDS2V60++-1	AC		J	Diode S2V60-5009F06
	D7113	VHDFMY1036S-1	AE		J	Diode FMY-1036S
	D7114	RH-EXA526WJZZY	AB		J	Diode MAZ8062GML
	D7201	VHDD1NK60++-1Y	AC		J	Diode D1NK60-5060
	D7202	VHDD1NK60++-1Y	AC		J	Diode D1NK60-5060
	D7203	VHDM111G++-1Y	AA		J	Diode MA2J1110GL
	D7204	VHDM111G++-1Y	AA		J	Diode MA2J1110GL
	D7205	RH-EXA621WJZZY	AC	N	J	Diode KDZTR36B
	D7207	RH-EXA563WJZZY	AA		J	Diode MAZ8200GML
	D7208	VHDM111G++-1Y	AA		J	Diode MA2J1110GL
	D7209	RH-EXA621WJZZY	AC	N	J	Diode KDZTR36B
	D7210	RH-DXA088WJZZY	AD		J	Diode D1FL40-5063
	D7211	VHDD1FL20U/-1Y	AC		J	Diode D1FL20U-5053
	D7212	RH-DXA070WJZZY	AE		J	Diode SARS01V1
△	D7213	RH-FXA014WJZZ	AC		J	Diode TLP781F(D4-GRL,F)
△	D7214	RH-FXA014WJZZ	AC		J	Diode TLP781F(D4-GRL,F)
△	D7215	RH-FXA014WJZZ	AC		J	Diode TLP781F(D4-GRL,F)
	D7216	RH-EXA526WJZZY	AB		J	Diode MAZ8062GML
	D7217	VHDSBR10010-1	AE		J	Diode SBR100-10JS-CHC11
	D7218	RH-EXA550WJZZY	AB		J	Diode MAZ8130GML
	D7219	RH-EXA560WJZZY	AA		J	Diode MAZ8180GML
	D7220	RH-EXA584WJZZY	AB		J	Diode MAZ8390GML
	D7221	RH-EXA584WJZZY	AB		J	Diode MAZ8390GML
	D7222	VHDM111G++-1Y	AA		J	Diode MA2J1110GL
	D7223	VHDD1FL20U/-1Y	AC		J	Diode D1FL20U-5053
	D7224	RH-EX0646GEZZY	AA		J	Diode MTZJT-7215B
	D7225	VHDM111G++-1Y	AA		J	Diode MA2J1110GL
	D7227	VHDBR1004++-1	AE		J	Diode RD1004LS-SBC5
	D7228	VHDM111G++-1Y	AA		J	Diode MA2J1110GL
	D7229	RH-EXA578WJZZY	AA		V	Diode MAZ8330GML

LC-32DH57E/RU/S

NO.	PARTS CODE	PRICE RANK	NEW MARK	PART DELIVERY	DESCRIPTION
[6] DUNTKF063FM01 (POWER Unit)					
D7230	VHDM111G+-1Y	AA		J	Diode MA2J1110GL
D7231	VHDD1FL20U/-1Y	AC		J	Diode D1FL20U-5053
D7234	RH-EXA578WJZZY	AA		V	Diode MAZ8330GML
EY7101	LX-GZ3001PEZZ	AB		J	Eyelet Screw
EY7102	LX-GZ3001PEZZ	AB		J	Eyelet Screw
EY7105	LX-GZ3001PEZZ	AB		J	Eyelet Screw
EY7106	LX-GZ3001PEZZ	AB		J	Eyelet Screw
EY7107	LX-GZ3001PEZZ	AB		J	Eyelet Screw
EY7108	LX-GZ3001PEZZ	AB		J	Eyelet Screw
F7001	QFS-ZA006WJZZ+	AC		J	Fuse
F7002	QFS-ZA006WJZZ+	AC		J	Fuse
FB7101	RBLN-A007WJZZY	AC		J	Ferrite Bead
FB7102	RBLN-0020CEZZ+	AB		J	Ferrite Bead
FB7103	RBLN-0020CEZZ+	AB		J	Ferrite Bead
FB7104	RBLN-0020CEZZ+	AB		J	Ferrite Bead
FB7105	RBLN-A007WJZZY	AC		J	Ferrite Bead
IC7101	VHiNCP1606B-1Y	AF		J	IC NCP1606BDR2G
IC7201	VHiSTRY64761E	AN		J	IC STR-Y64761FNo.3002
IC7202	VHiKiA431A+-1+	AC		J	IC KIA431A-AT/P
L7001	RCiLFA313WJZZ	AF	N	J	Coil
L7002	RCiLFA313WJZZ	AF	N	J	Coil
L7101	RCiLCA194WJZZ	AK	N	J	Coil
P7001	QPLGN0269GEZZ	AB		J	Plug
P7201	QCNCMA250WJZZ	AE		J	Plug
P7202	QPLGNA053WJZZ	AF		J	Plug
Q7103	VS2SK3797+-1	AW		J	Transistor 2SK3797(LBS1SP,QM)
Q7201	VS2SA1530AR-1Y	AB		J	Transistor 2SA1530A-T112-1R
Q7202	RH-TXA037WJZZY	AE		J	Transistor PBL56003D,115
Q7203	VS2SC3928AR-1Y	AB		J	Transistor 2SC3928A-T112-1R
Q7205	VS2SC3928AR-1Y	AB		J	Transistor 2SC3928A-T112-1R
Q7206	VS2SA1530AR-1Y	AB		J	Transistor 2SA1530A-T112-1R
Q7207	VS2SC3928AR-1Y	AB		J	Transistor 2SC3928A-T112-1R
Q7208	VS2SD1767Q+-1Y	AC		J	Transistor 2SD1767T100Q
Q7209	VS2SC3928AR-1Y	AB		J	Transistor 2SC3928A-T112-1R
Q7210	VS2SC4132Q/-1Y	AE	N	J	Transistor 2SC4132T101
R7002	RR-HZ0124CEZZY	AB	N	V	Resistor
R7003	RR-HZ0012GEZZY	AD		J	Resistor
R7102	VRS-CY1JF393JY	AA		J	Resistor 39k 1/16W Metal Oxide
R7103	VRS-CY1JF331JY	AA		J	Resistor 330 1/16W Metal Oxide
R7111	VRS-CY1JF471FY	AA		J	Resistor 470 1/16W Metal Oxide
R7112	VRS-CY1JF102FY	AA		J	Resistor 1k 1/16W Metal Oxide
R7114	VRS-TV1JD183JY	AA		J	Resistor 18k 1/10W Metal Oxide
R7115	VRS-TV1JD330JY	AA		J	Resistor 33 1/10W Metal Oxide
R7118	VRS-TV1JD330JY	AA		J	Resistor 33 1/10W Metal Oxide
R7119	VRS-TV1JD331JY	AB		J	Resistor 330 1/10W Metal Oxide
R7120	VRS-TV1JD103JY	AA		J	Resistor 10k 1/10W Metal Oxide
R7121	VRS-TV1JD331JY	AB		J	Resistor 330 1/10W Metal Oxide
R7122	RR-FZA006WJZZ	AG		J	Resistor
R7123	VRS-TV1JD183JY	AA		J	Resistor 18k 1/10W Metal Oxide
R7124	VRS-CY1JF183DY	AA		J	Resistor 18k 1/16W Metal Oxide
R7125	VRS-TV1JD394FY	AA		J	Resistor 390k 1/10W Metal Oxide
R7126	VRS-TV1JD394FY	AA		J	Resistor 390k 1/10W Metal Oxide
R7127	VRS-TV1JD394FY	AA		J	Resistor 390k 1/10W Metal Oxide
R7128	VRS-TV1JD394FY	AA		J	Resistor 390k 1/10W Metal Oxide
R7129	VRS-TV1JD394FY	AA		J	Resistor 390k 1/10W Metal Oxide
R7131	VRS-CY1JF393DY	AA		J	Resistor 39k 1/16W Metal Oxide
R7135	VRS-TV1JD183JY	AA		J	Resistor 18k 1/10W Metal Oxide
R7136	VRS-TV1JD183JY	AA		J	Resistor 18k 1/10W Metal Oxide
R7201	VRS-TV1JD394FY	AA		J	Resistor 390k 1/10W Metal Oxide
R7202	VRS-TV1JD394FY	AA		J	Resistor 390k 1/10W Metal Oxide
R7203	VRS-TV1JD154FY	AA	N	J	Resistor 150k 1/10W Metal Oxide
R7204	VRS-TV1JD154FY	AA	N	J	Resistor 150k 1/10W Metal Oxide
R7206	VRS-CY1JF334FY	AA		J	Resistor 330k 1/16W Metal Oxide
R7207	VRS-CY1JF105FY	AA		J	Resistor 1M 1/16W Metal Oxide
R7208	VRS-CY1JF473JY	AA		J	Resistor 47k 1/16W Metal Oxide
R7209	VRS-TV1JD103JY	AA		J	Resistor 10k 1/10W Metal Oxide
R7210	VRS-VV3DB470J	AA		J	Resistor 47 2W Metal Oxide
R7211	VRN-VV3DBR33J	AA		J	Resistor 0.33 2W Metal Film
R7212	VRS-CY1JF103JY	AA		J	Resistor 10k 1/16W Metal Oxide
R7213	VRS-CY1JF103JY	AA		J	Resistor 10k 1/16W Metal Oxide
R7214	VRN-VV3DBR33J	AA		J	Resistor 0.33 2W Metal Film
R7215	VRS-VV3DB470J	AA		J	Resistor 47 2W Metal Oxide
R7216	VRS-VV3AB273J	AA	N	J	Resistor 27k 1W Metal Oxide
R7217	VRS-VV3AB273J	AA	N	J	Resistor 27k 1W Metal Oxide
R7219	VRS-CY1JF273JY	AA		J	Resistor 27k 1/16W Metal Oxide
R7222	VRS-CY1JF471JY	AA		J	Resistor 470 1/16W Metal Oxide
R7224	VRS-TV1JD122JY	AA		J	Resistor 1.2k 1/10W Metal Oxide
R7225	VRS-TV1JD122JY	AA		J	Resistor 1.2k 1/10W Metal Oxide
R7226	VRS-CY1JF222JY	AA		J	Resistor 2.2k 1/16W Metal Oxide
R7227	VRS-CY1JF202JY	AA		J	Resistor 2.0k 1/16W Metal Oxide
R7228	VRS-CY1JF202JY	AA		J	Resistor 2.0k 1/16W Metal Oxide
R7229	VRS-TV1JD821JY	AA		J	Resistor 820 1/10W Metal Oxide
R7230	VRS-CY1JF104JY	AA		J	Resistor 100k 1/16W Metal Oxide
R7231	VRS-CY1JF103JY	AA		J	Resistor 10k 1/16W Metal Oxide
R7232	VRS-TV1JD821JY	AA		J	Resistor 820 1/10W Metal Oxide

NO.	PARTS CODE	PRICE RANK	NEW MARK	PART DELIVERY	DESCRIPTION
[6] DUNTKF063FM01 (POWER Unit)					
R7234	VRS-CY1 JF 393FY	AA		J	Resistor 39k 1/16W Metal Oxide
R7235	VRS-CY1 JF 203FY	AA		J	Resistor 20k 1/16W Metal Oxide
R7236	VRS-CY1 JF 223FY	AA		J	Resistor 22k 1/16W Metal Oxide
R7237	VRS-CY1 JF 393FY	AA		J	Resistor 39k 1/16W Metal Oxide
R7238	VRS-CY1 JF 103JY	AA		J	Resistor 10k 1/16W Metal Oxide
R7239	VRS-CY1 JF 683FY	AA		J	Resistor 68k 1/16W Metal Oxide
R7242	VRS-CY1 JF 472JY	AA		J	Resistor 4.7k 1/16W Metal Oxide
R7243	VRS-CY1 JF 103JY	AA		J	Resistor 10k 1/16W Metal Oxide
R7244	VRS-CY1 JF 472JY	AA		J	Resistor 4.7k 1/16W Metal Oxide
R7245	VRS-CY1 JF 102JY	AA		J	Resistor 1k 1/16W Metal Oxide
R7246	VRS-CY1 JF 102JY	AA		J	Resistor 1k 1/16W Metal Oxide
R7247	VRS-CY1 JF 000JY	AA		J	Resistor 0 1/16W Metal Oxide
R7249	VRS-CY1 JF 472JY	AA		J	Resistor 4.7k 1/16W Metal Oxide
R7250	VRS-CY1 JF 563FY	AA		J	Resistor 56k 1/16W Metal Oxide
R7251	VRS-CY1 JF 563FY	AA		J	Resistor 56k 1/16W Metal Oxide
R7252	VRS-TV1 JD394FY	AA		J	Resistor 390k 1/10W Metal Oxide
R7253	VRS-TV1 JD394FY	AA		J	Resistor 390k 1/10W Metal Oxide
R7254	VRS-TV1 JD394FY	AA		J	Resistor 390k 1/10W Metal Oxide
R7255	VRS-TV1 JD394FY	AA		J	Resistor 390k 1/10W Metal Oxide
R7256	VRS-TV1 JD394FY	AA		J	Resistor 390k 1/10W Metal Oxide
R7257	VRS-CY1 JF 103JY	AA		J	Resistor 10k 1/16W Metal Oxide
R7258	VRS-CY1 JF 562JY	AA		J	Resistor 5.6k 1/16W Metal Oxide
R7259	VRS-CY1 JF 103JY	AA		J	Resistor 10k 1/16W Metal Oxide
R7260	VRS-CY1 JF 472JY	AA		J	Resistor 4.7k 1/16W Metal Oxide
R7261	VRS-TV1 JD154FY	AA	N	J	Resistor 150k 1/10W Metal Oxide
R7262	VRS-CY1 JF 473JY	AA		J	Resistor 47k 1/16W Metal Oxide
R7263	VRS-CY1 JF 472JY	AA		J	Resistor 4.7k 1/16W Metal Oxide
R7264	VRS-TV1 JD222JY	AA		J	Resistor 2.2k 1/10W Metal Oxide
R7265	VRS-TV1 JD222JY	AA		J	Resistor 2.2k 1/10W Metal Oxide
R7266	VRS-CY1 JF 333FY	AA		J	Resistor 33k 1/16W Metal Oxide
R7271	VRS-CY1 JF 472JY	AA		J	Resistor 4.7k 1/16W Metal Oxide
R7273	VRS-TV1 JD105JY	AA		J	Resistor 1M 1/10W Metal Oxide
R7274	VRS-VV3DB222J	AA		J	Resistor 2.2k 2W Metal Oxide
R7275	VRS-VV3DB222J	AA		J	Resistor 2.2k 2W Metal Oxide
R7276	VRS-CY1 JF 103JY	AA		J	Resistor 10k 1/16W Metal Oxide
R7277	VRS-CY1 JF 472JY	AA		J	Resistor 4.7k 1/16W Metal Oxide
R7279	VRS-CY1 JF 472JY	AA		J	Resistor 4.7k 1/16W Metal Oxide
R7280	VRS-TV1 JD330JY	AA		J	Resistor 33 1/10W Metal Oxide
R7281	VRS-TV1 JD331JY	AB		J	Resistor 330 1/10W Metal Oxide
RDA7101	PRDARA704WJFW	AF		J	Heat Sink
RDA7201	PRDARA705WJFW	AF		J	Heat Sink
RDA7202	PRDARA708WJFW	AE		J	Heat Sink
RDA7203	PRDARA708WJFW	AE		J	Heat Sink
T7206	RTRNWA334WJZZ	AM	N	J	Transformer
TH7101	RH-HXA042WJZZ	AG		J	Thermistor 5D2-15LCS
TH7201	RH-QZA006WJZZ	AE		J	Thermistor RGEF700
VA7001	RH-VXA071WJQZ	AD	N	J	Varistor ERZV10D471CS
VA7002	RH-VXA022WJZZ	AD		J	Varistor ERZV10D681CS
N	LX-BZ3049GEF7	AA		J	Screw
[7] DUNTKF071FM04 (INVERTER Unit)					
C7700	VCCCCY1HH221JY	AA		J	Capacitor 220p 50V Ceramic
C7701	VCCCCY1HH221JY	AA		J	Capacitor 220p 50V Ceramic
C7702	VCCCCY1HH221JY	AA		J	Capacitor 220p 50V Ceramic
C7703	VCCCCY1HH221JY	AA		J	Capacitor 220p 50V Ceramic
C7708	VCCCCY1HH221GY	AB	N	J	Capacitor 220p 50V Ceramic
C7710	VCKYCY1CB103KY	AA		J	Capacitor 0.01 16V Ceramic
C7711	VCKYCY1CB103KY	AA		J	Capacitor 0.01 16V Ceramic
C7715	VCKYCY1AB474KY	AC		J	Capacitor 0.47 10V Ceramic
C7716	VCKYCY1CB104KY	AB		J	Capacitor 0.1 16V Ceramic
C7717	VCKYTV1EB105KY	AB		J	Capacitor 1 25V Ceramic
C7718	VCKYCY1CB104KY	AB		J	Capacitor 0.1 16V Ceramic
C7719	VCKYTV1CF225ZY	AB		J	Capacitor 2.2 16V Ceramic
C7720	VCKYCY1HB472KY	AA		J	Capacitor 4700p 50V Ceramic
C7721	VCKYTV1EB105KY	AB		J	Capacitor 1 25V Ceramic
C7722	VCKYCY1HB472KY	AA		J	Capacitor 4700p 50V Ceramic
C7723	RC-KZA114WJZZY	AB		J	Capacitor
C7724	VCCCCY1EH102JY	AB		J	Capacitor 1000p 25V Ceramic
C7725	VCCCCY1EH102JY	AB		J	Capacitor 1000p 25V Ceramic
C7727	VCKYCY1HB103KY	AA		J	Capacitor 0.01 50V Ceramic
C7800	RC-EZA489WJZZ+	AC		J	Capacitor
C7801	VCKYTV1HB104KY	AA		J	Capacitor 0.1 50V Ceramic
C7802	VCKYTV1HB104KY	AA		J	Capacitor 0.1 50V Ceramic
C7803	VCKYTV1HB104KY	AA		J	Capacitor 0.1 50V Ceramic
C7804	VCKYTV1HB104KY	AA		J	Capacitor 0.1 50V Ceramic
C7805	RC-EZB588WJZZ+	AD	N	J	Capacitor
C7806	RC-EZB588WJZZ+	AD	N	J	Capacitor
C7807	RC-EZB588WJZZ+	AD	N	J	Capacitor
C7810	RC-KZA723WJZZY	AC	N	J	Capacitor
C7811	RC-KZA723WJZZY	AC	N	J	Capacitor
C7900	RC-KZA724WJZZY	AC	N	J	Capacitor
C7901	RC-KZA724WJZZY	AC	N	J	Capacitor
C7902	RC-KZA724WJZZY	AC	N	J	Capacitor
C7903	VCCCCY1HH122JY	AA		J	Capacitor 1200p 50V Ceramic

LC-32DH57E/RU/S

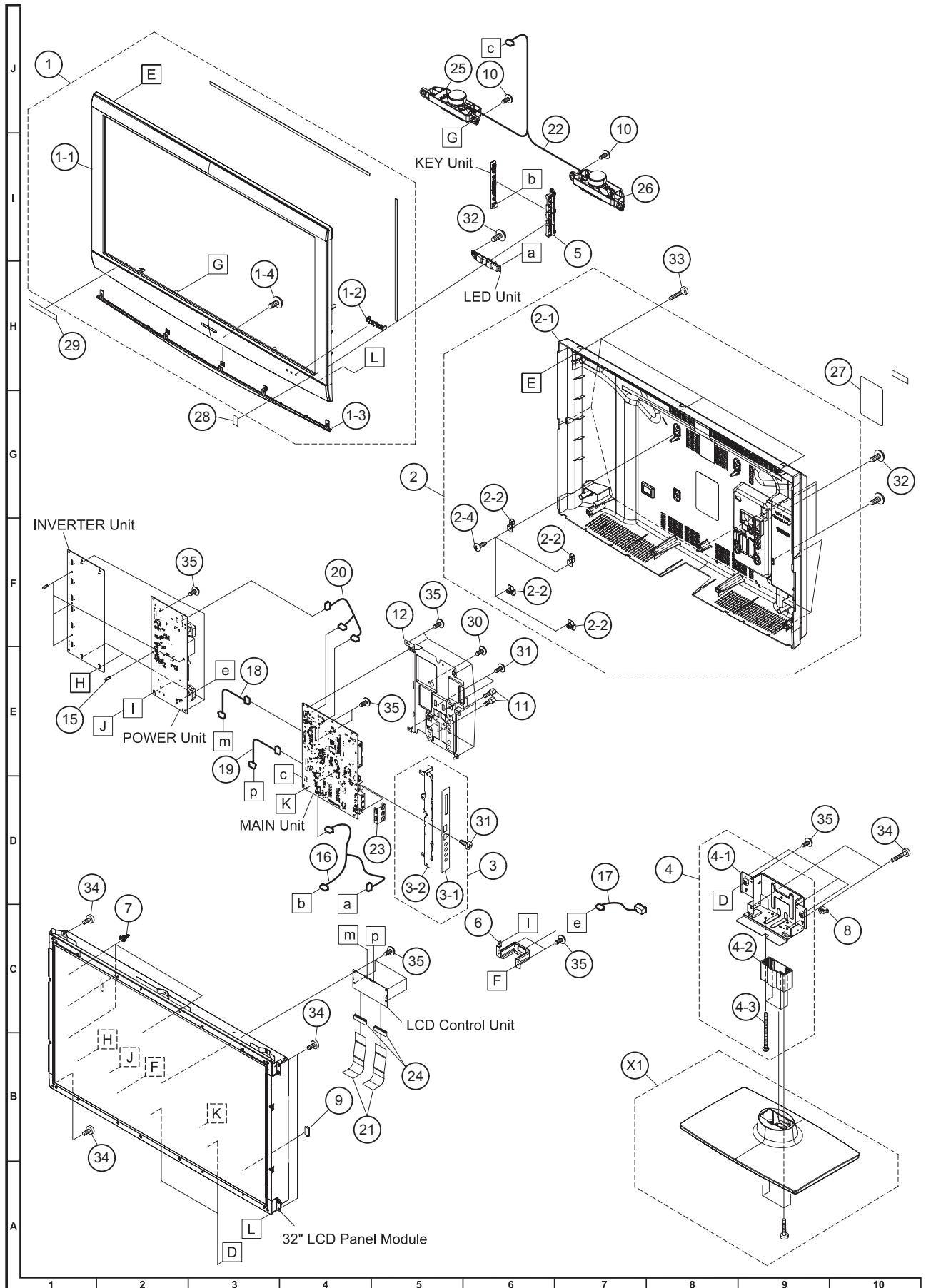
NO.	PARTS CODE	PRICE RANK	NEW MARK	PART DELIVERY	DESCRIPTION
[7] DUNTKF071FM04 (INVERTER Unit)					
C7904	RC-CZA007WJZZ+	AC	N	J	Capacitor
C7905	RC-CZA007WJZZ+	AC	N	J	Capacitor
C7906	VCCCCY1HH122JY	AA		J	Capacitor 1200p 50V Ceramic
C7907	VCCCCY1HH122JY	AA		J	Capacitor 1200p 50V Ceramic
C7908	RC-CZA007WJZZ+	AC	N	J	Capacitor
C7909	RC-CZA007WJZZ+	AC	N	J	Capacitor
C7910	VCCCCY1HH122JY	AA		J	Capacitor 1200p 50V Ceramic
C7911	VCCCCY1HH122JY	AA		J	Capacitor 1200p 50V Ceramic
C7912	RC-CZA007WJZZ+	AC	N	J	Capacitor
C7913	RC-CZA007WJZZ+	AC	N	J	Capacitor
C7914	VCCCCY1HH122JY	AA		J	Capacitor 1200p 50V Ceramic
C7922	VCKYTV1EB105KY	AB		J	Capacitor 1 25V Ceramic
C7923	VCKYCY1HB104KY	AA		J	Capacitor 0.1 50V Ceramic
C7924	VCKYCY1HB103KY	AA		J	Capacitor 0.01 50V Ceramic
C7926	VCCCCY1HH102JY	AB		J	Capacitor 1000p 50V Ceramic
C7927	VCCCCY1HH102JY	AB		J	Capacitor 1000p 50V Ceramic
C7928	VCCCCY1HH102JY	AB		J	Capacitor 1000p 50V Ceramic
C7929	VCCCCY1HH102JY	AB		J	Capacitor 1000p 50V Ceramic
C7930	VCCCCY1HH102JY	AB		J	Capacitor 1000p 50V Ceramic
C7931	VCCCCY1HH102JY	AB		J	Capacitor 1000p 50V Ceramic
C7932	RC-KZA724WJZZY	AC	N	J	Capacitor
C7933	RC-KZA724WJZZY	AC	N	J	Capacitor
C7934	RC-KZA724WJZZY	AC	N	J	Capacitor
CN7302	QCNCWA677WJZZ	AE		J	Connector Connector
CN7900	QEARPA210WJQZ+	AB		J	Connector Ground Part
CN7901	QEARPA210WJQZ+	AB		J	Connector Ground Part
CN7902	QJNTKA002WJZZ	AD	N	V	Connector
CN7903	QJNTKA002WJZZ	AD	N	V	Connector
CN7904	QJNTKA002WJZZ	AD	N	V	Connector
CN7905	QJNTKA002WJZZ	AD	N	V	Connector
CN7906	QJNTKA002WJZZ	AD	N	V	Connector
CN7907	QJNTKA002WJZZ	AD	N	V	Connector
CN7908	QEARPA210WJQZ+	AB		J	Connector Ground Part
CN7909	QEARPA210WJQZ+	AB		J	Connector Ground Part
D7800	RH-EXA550WJZZY	AB		J	Diode MAZ8130GML
D7801	RH-EXA550WJZZY	AB		J	Diode MAZ8130GML
D7802	VHDCUS02TE+-1Y	AB		J	Diode CUS02(TE85L,Q)
D7803	VHDCUS02TE+-1Y	AB		J	Diode CUS02(TE85L,Q)
D7804	RH-EXA550WJZZY	AB		J	Diode MAZ8130GML
D7805	RH-EXA550WJZZY	AB		J	Diode MAZ8130GML
D7806	VHDCUS02TE+-1Y	AB		J	Diode CUS02(TE85L,Q)
D7807	VHDCUS02TE+-1Y	AB		J	Diode CUS02(TE85L,Q)
D7900	VHD1SS226//--1Y	AC		J	Diode 1SS226(T5L,F,T)
D7901	VHD1SS226//--1Y	AC		J	Diode 1SS226(T5L,F,T)
D7902	VHD1SS226//--1Y	AC		J	Diode 1SS226(T5L,F,T)
D7903	VHD1SS226//--1Y	AC		J	Diode 1SS226(T5L,F,T)
D7904	VHD1SS226//--1Y	AC		J	Diode 1SS226(T5L,F,T)
D7905	VHD1SS226//--1Y	AC		J	Diode 1SS226(T5L,F,T)
D7912	VHD1SS352//--1Y	AB		J	Diode 1SS352(TPH3,F)
D7913	VHD1SS352//--1Y	AB		J	Diode 1SS352(TPH3,F)
D7914	VHD1SS352//--1Y	AB		J	Diode 1SS352(TPH3,F)
D7915	VHD1SS352//--1Y	AB		J	Diode 1SS352(TPH3,F)
D7916	VHD1SS352//--1Y	AB		J	Diode 1SS352(TPH3,F)
D7917	VHD1SS352//--1Y	AB		J	Diode 1SS352(TPH3,F)
D7919	VHD1SS352//--1Y	AB		J	Diode 1SS352(TPH3,F)
D7921	VHD1SS352//--1Y	AB		J	Diode 1SS352(TPH3,F)
D7923	VHD1SS352//--1Y	AB		J	Diode 1SS352(TPH3,F)
D7925	VHD1SS352//--1Y	AB		J	Diode 1SS352(TPH3,F)
D7927	VHD1SS352//--1Y	AB		J	Diode 1SS352(TPH3,F)
D7929	VHD1SS352//--1Y	AB		J	Diode 1SS352(TPH3,F)
F7700	QFS-ZA014WJZZ+	AD	N	J	Fuse
IC7700	VHiBD9897FS-1Y	AL		J	IC BD9897FS-E2
IC7900	VHiNJM2903M-1Y	AE		J	IC NJM2903M-TE1
Q7705	VS2SC3928AR-1Y	AB		J	Transistor 2SC3928A-T112-1R
Q7800	VS2N7002+++1Y	AB	N	J	Transistor 2N7002-RTK/P
Q7801	VS2N7002+++1Y	AB	N	J	Transistor 2N7002-RTK/P
Q7802	VSCPH5506+++1Y	AC	N	J	Transistor CPH5506-TL-E
Q7803	VS2N7002+++1Y	AB	N	J	Transistor 2N7002-RTK/P
Q7804	VSCPH5506+++1Y	AC	N	J	Transistor CPH5506-TL-E
Q7805	VSCPH5506+++1Y	AC	N	J	Transistor CPH5506-TL-E
Q7806	VS2N7002+++1Y	AB	N	J	Transistor 2N7002-RTK/P
Q7807	VSFDPF3860T-F	AF		J	Transistor FDPF3860T
Q7808	VSCPH5506+++1Y	AC	N	J	Transistor CPH5506-TL-E
Q7809	VSFQPF22P10-F	AG		J	Transistor FQPF22P10
Q7810	VSFDPF3860T-F	AF		J	Transistor FDPF3860T
Q7811	VSFQPF22P10-F	AG		J	Transistor FQPF22P10
R7700	VRS-CY1JF223JY	AA		J	Resistor 22k 1/16W Metal Oxide
R7701	VRS-TV1JD000JY	AA		J	Resistor 0 1/10W Metal Oxide
R7702	VRS-CY1JF472JY	AA		J	Resistor 4.7k 1/16W Metal Oxide
R7703	VRS-TV1JD124JY	AA		J	Resistor 120k 1/10W Metal Oxide
R7704	VRS-CY1JF221JY	AA		J	Resistor 220 1/16W Metal Oxide
R7705	VRS-TQ2BD100JY	AA		J	Resistor 10 1/8W Metal Oxide
R7706	VRS-TV1JD000JY	AA		J	Resistor 0 1/10W Metal Oxide
R7707	VRS-TV1JD000JY	AA		J	Resistor 0 1/10W Metal Oxide
R7718	VRS-CY1JF221FY	AA		J	Resistor 220 1/16W Metal Oxide

NO.	PARTS CODE	PRICE RANK	NEW MARK	PART DELIVERY	DESCRIPTION
[7] DUNTKF071FM04 (INVERTER Unit)					
R7719	VRS-CY1 JF 393FY	AA		J	Resistor 39k 1/16W Metal Oxide
R7720	VRS-CY1 JF 221DY	AB		J	Resistor 220 1/16W Metal Oxide
R7721	VRS-CY1 JF 623JY	AA		J	Resistor 62k 1/16W Metal Oxide
R7722	VRS-CY1 JF 104JY	AA		J	Resistor 100k 1/16W Metal Oxide
R7724	VRS-CY1 JF 912FY	AA		J	Resistor 9.1k 1/16W Metal Oxide
R7725	VRS-CY1 JF 204JY	AA		J	Resistor 200k 1/16W Metal Oxide
R7727	VRS-CY1 JF 823FY	AA		J	Resistor 82k 1/16W Metal Oxide
R7731	VRS-CY1 JF 243JY	AA		J	Resistor 24k 1/16W Metal Oxide
R7732	VRS-CY1 JF 103JY	AA		J	Resistor 10k 1/16W Metal Oxide
R7737	VRS-CY1 JF 473JY	AA		J	Resistor 47k 1/16W Metal Oxide
R7738	VRS-CY1 JF 104JY	AA		J	Resistor 100k 1/16W Metal Oxide
R7740	VRS-CY1 JF 684JY	AA		J	Resistor 680k 1/16W Metal Oxide
R7741	VRS-CY1 JF 224JY	AA		J	Resistor 220k 1/16W Metal Oxide
R7744	VRS-CY1 JF 000JY	AA		J	Resistor 0 1/16W Metal Oxide
R7745	VRS-CY1 JF 183JY	AA		J	Resistor 18k 1/16W Metal Oxide
R7746	VRS-CY1 JF 153DY	AA		J	Resistor 15k 1/16W Metal Oxide
R7747	VRS-CY1 JF 103DY	AA		J	Resistor 10k 1/16W Metal Oxide
R7748	VRS-CY1 JF 682DY	AA		J	Resistor 6.8k 1/16W Metal Oxide
R7750	VRS-CY1 JF 103JY	AA		J	Resistor 10k 1/16W Metal Oxide
R7751	VRS-CY1 JF 622DY	AA	N	J	Resistor 6.2k 1/16W Metal Oxide
R7752	VRS-CY1 JF 124DY	AA		J	Resistor 120k 1/16W Metal Oxide
R7755	VRS-CY1 JF 000JY	AA		J	Resistor 0 1/16W Metal Oxide
R7756	VRS-CY1 JF 000JY	AA		J	Resistor 0 1/16W Metal Oxide
R7762	VRS-CY1 JF 473JY	AA		J	Resistor 47k 1/16W Metal Oxide
R7800	VRS-TV2BD102JY	AA		J	Resistor 1k 1/8W Metal Oxide
R7801	VRS-TV2BD102JY	AA		J	Resistor 1k 1/8W Metal Oxide
R7802	VRS-TV2BD102JY	AA		J	Resistor 1k 1/8W Metal Oxide
R7803	VRS-TV2BD102JY	AA		J	Resistor 1k 1/8W Metal Oxide
R7804	VRS-TV2BD102JY	AA		J	Resistor 1k 1/8W Metal Oxide
R7805	VRS-TV2BD102JY	AA		J	Resistor 1k 1/8W Metal Oxide
R7806	VRS-TV2BD102JY	AA		J	Resistor 1k 1/8W Metal Oxide
R7807	VRS-TV2BD102JY	AA		J	Resistor 1k 1/8W Metal Oxide
R7808	VRS-TV1 JD103FY	AA		J	Resistor 10k 1/10W Metal Oxide
R7809	VRS-TV1 JD271JY	AA		V	Resistor 270 1/10W Metal Oxide
R7810	VRS-TV1 JD181JY	AA		V	Resistor 180 1/10W Metal Oxide
R7811	VRS-CY1 JF 104JY	AA		J	Resistor 100k 1/16W Metal Oxide
R7812	VRS-TV1 JD103FY	AA		J	Resistor 10k 1/10W Metal Oxide
R7813	VRS-TV1 JD271JY	AA		V	Resistor 270 1/10W Metal Oxide
R7814	VRS-TV1 JD181JY	AA		V	Resistor 180 1/10W Metal Oxide
R7815	VRS-CY1 JF 104JY	AA		J	Resistor 100k 1/16W Metal Oxide
R7816	VRS-TV2BD105JY	AA	N	J	Resistor 1M 1/8W Metal Oxide
R7817	VRS-CY1 JF 000JY	AA		J	Resistor 0 1/16W Metal Oxide
R7818	VRS-CY1 JF 000JY	AA		J	Resistor 0 1/16W Metal Oxide
R7819	VRS-CY1 JF 180JY	AA		J	Resistor 18 1/16W Metal Oxide
R7820	VRS-CY1 JF 180JY	AA		J	Resistor 18 1/16W Metal Oxide
R7821	VRS-CY1 JF 270JY	AA		J	Resistor 27 1/16W Metal Oxide
R7822	VRS-CY1 JF 270JY	AA		J	Resistor 27 1/16W Metal Oxide
R7823	VRS-CY1 JF 104JY	AA		J	Resistor 100k 1/16W Metal Oxide
R7824	VRS-CY1 JF 104JY	AA		J	Resistor 100k 1/16W Metal Oxide
R7825	VRS-TV1 JD000JY	AA		J	Resistor 0 1/10W Metal Oxide
R7826	VRS-TV1 JD000JY	AA		J	Resistor 0 1/10W Metal Oxide
R7900	VRS-TV1 JD821FY	AA		J	Resistor 820 1/10W Metal Oxide
R7901	VRS-TV1 JD821FY	AA		J	Resistor 820 1/10W Metal Oxide
R7902	VRS-TV1 JD821FY	AA		J	Resistor 820 1/10W Metal Oxide
R7903	VRS-TV1 JD821FY	AA		J	Resistor 820 1/10W Metal Oxide
R7904	VRS-TV1 JD821FY	AA		J	Resistor 820 1/10W Metal Oxide
R7905	VRS-TV1 JD821FY	AA		J	Resistor 820 1/10W Metal Oxide
R7908	VRS-CY1 JF 000JY	AA		J	Resistor 0 1/16W Metal Oxide
R7909	VRS-CY1 JF 000JY	AA		J	Resistor 0 1/16W Metal Oxide
R7911	VRS-CY1 JF 000JY	AA		J	Resistor 0 1/16W Metal Oxide
R7913	VRS-CY1 JF 000JY	AA		J	Resistor 0 1/16W Metal Oxide
R7915	VRS-CY1 JF 000JY	AA		J	Resistor 0 1/16W Metal Oxide
R7916	VRS-CY1 JF 000JY	AA		J	Resistor 0 1/16W Metal Oxide
R7918	VRS-TV1 JD821FY	AA		J	Resistor 820 1/10W Metal Oxide
R7919	VRS-TV1 JD821FY	AA		J	Resistor 820 1/10W Metal Oxide
R7920	VRS-TV1 JD821FY	AA		J	Resistor 820 1/10W Metal Oxide
R7921	VRS-TV1 JD821FY	AA		J	Resistor 820 1/10W Metal Oxide
R7922	VRS-TV1 JD821FY	AA		J	Resistor 820 1/10W Metal Oxide
R7923	VRS-TV1 JD821FY	AA		J	Resistor 820 1/10W Metal Oxide
R7925	VRS-CY1 JF 332FY	AA		J	Resistor 3.3k 1/16W Metal Oxide
R7926	VRS-CY1 JF 332FY	AA		J	Resistor 3.3k 1/16W Metal Oxide
R7927	VRS-CY1 JF 332FY	AA		J	Resistor 3.3k 1/16W Metal Oxide
R7928	VRS-CY1 JF 332FY	AA		J	Resistor 3.3k 1/16W Metal Oxide
R7929	VRS-CY1 JF 332FY	AA		J	Resistor 3.3k 1/16W Metal Oxide
R7930	VRS-CY1 JF 332FY	AA		J	Resistor 3.3k 1/16W Metal Oxide
R7931	VRS-CY1 JF 332FY	AA		J	Resistor 3.3k 1/16W Metal Oxide
R7932	VRS-CY1 JF 332FY	AA		J	Resistor 3.3k 1/16W Metal Oxide
R7933	VRS-CY1 JF 822FY	AA		J	Resistor 8.2k 1/16W Metal Oxide
R7934	VRS-CY1 JF 332FY	AA		J	Resistor 3.3k 1/16W Metal Oxide
R7935	VRS-CY1 JF 332FY	AA		J	Resistor 3.3k 1/16W Metal Oxide
R7936	VRS-CY1 JF 332FY	AA		J	Resistor 3.3k 1/16W Metal Oxide
R7937	VRS-CY1 JF 332FY	AA		J	Resistor 3.3k 1/16W Metal Oxide
R7938	VRS-CY1 JF 104DY	AA		J	Resistor 100k 1/16W Metal Oxide
R7939	VRS-CY1 JF 332FY	AA		J	Resistor 3.3k 1/16W Metal Oxide
R7940	VRS-TV1 JD821FY	AA		J	Resistor 820 1/10W Metal Oxide

LC-32DH57E/RU/S

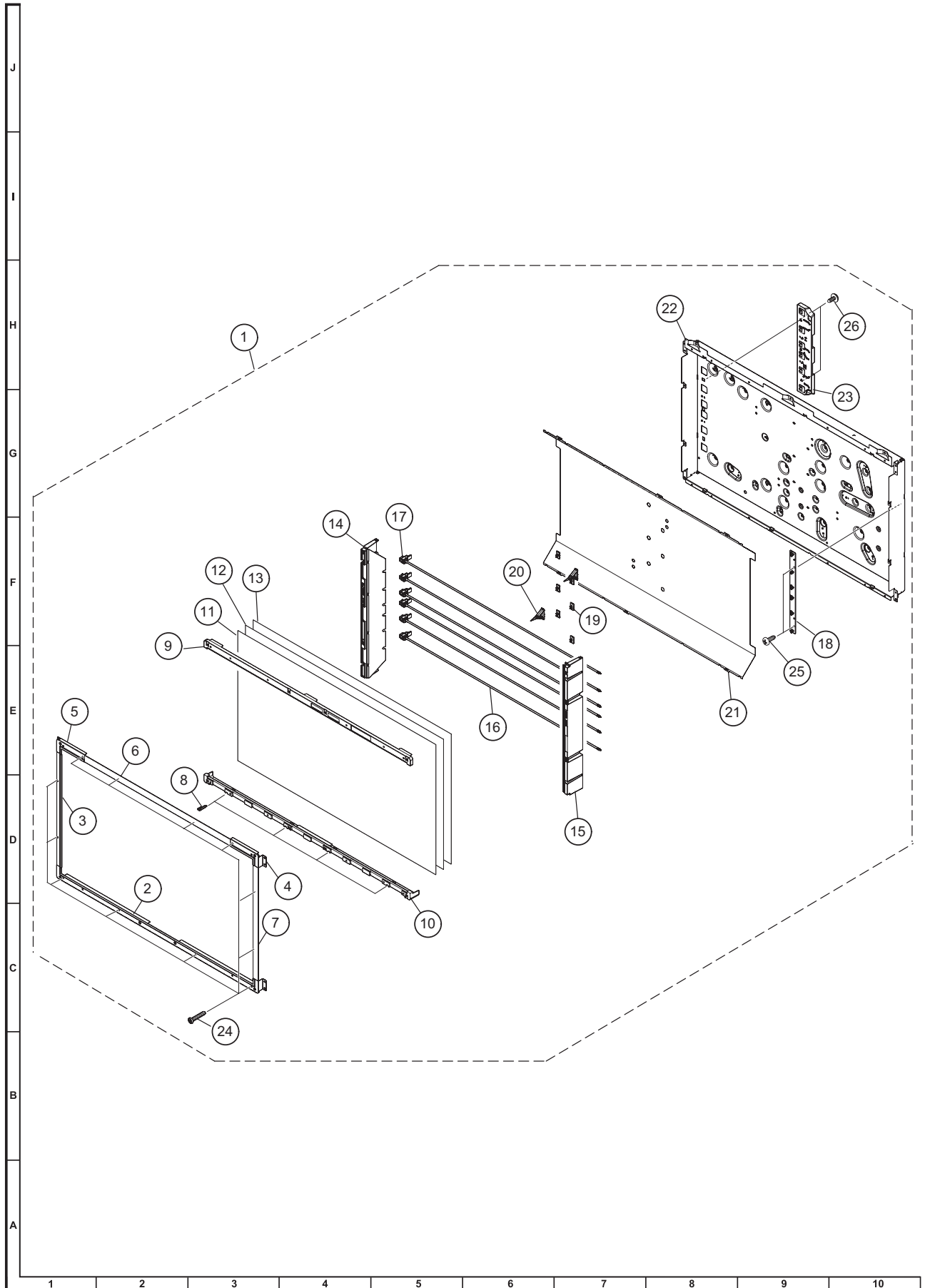
NO.	PARTS CODE	PRICE RANK	NEW MARK	PART DELIVERY	DESCRIPTION	
[7] DUNTKF071FM04 (INVERTER Unit)						
R7941	VRS-TV1JD821FY	AA		J	Resistor 820 1/10W Metal Oxide	
R7942	VRS-TV1JD821FY	AA		J	Resistor 820 1/10W Metal Oxide	
R7943	VRS-TV1JD821FY	AA		J	Resistor 820 1/10W Metal Oxide	
R7944	VRS-TV1JD821FY	AA		J	Resistor 820 1/10W Metal Oxide	
R7945	VRS-TV1JD821FY	AA		J	Resistor 820 1/10W Metal Oxide	
R7946	VRS-CY1JF623DY	AA	N	J	Resistor 62k 1/16W Metal Oxide	
R7947	VRS-TV1JD821FY	AA		J	Resistor 820 1/10W Metal Oxide	
R7948	VRS-TV1JD821FY	AA		J	Resistor 820 1/10W Metal Oxide	
R7949	VRS-TV1JD821FY	AA		J	Resistor 820 1/10W Metal Oxide	
R7950	VRS-TV1JD821FY	AA		J	Resistor 820 1/10W Metal Oxide	
R7951	VRS-TV1JD821FY	AA		J	Resistor 820 1/10W Metal Oxide	
R7952	VRS-TV1JD821FY	AA		J	Resistor 820 1/10W Metal Oxide	
R7953	VRS-CY1JF000JY	AA		J	Resistor 0 1/16W Metal Oxide	
R7954	VRS-CY1JF564JY	AA		J	Resistor 560k 1/16W Metal Oxide	
R7955	VRS-CY1JF222JY	AA		J	Resistor 2.2k 1/16W Metal Oxide	
R7956	VRS-CY1JF000JY	AA		J	Resistor 0 1/16W Metal Oxide	
RDA7800	PRDARA710WJFW	AF	N	J	Heat Sink	
△	T7903	RTRNWA343WJZZ	AL	N	J	Transformer
△	T7904	RTRNWA343WJZZ	AL	N	J	Transformer
△	T7905	RTRNWA343WJZZ	AL	N	J	Transformer
	N	LX-BZ3049GEF7	AA		J	Screw
	N	VRS-TV1JD000JY	AA		J	Chip Jumper 0 1/16W Metal Oxide

[8] CABINET AND MECHANICAL PARTS



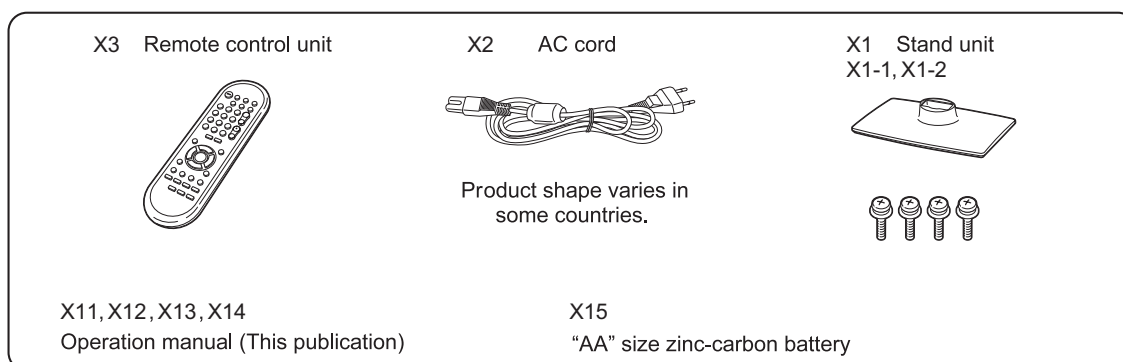
NO.	PARTS CODE	PRICE RANK	NEW MARK	PART DELIVERY	DESCRIPTION
[8] CABINET AND MECHANICAL PARTS					
1	CCABAC243WJ07	BB	N	P	Front Cabinet Ass'y
1-1	Not Available	-	N	-	Front Cabinet
1-2	Not Available	-	N	-	LED Cover
1-3	Not Available	-	N	-	Decoration
1-4	XEBS730P08000	AA		J	Screw
2	CCABBB470WJ01	BA	N	P	Rear Cabinet Ass'y
2-1	Not Available	-	N	-	Rear Cabinet
2-2	Not Available	-		-	VESA Holder, x4
2-3	Not Available	-	N	-	Spacer (0.5x10x30), x6
2-4	XEBS730P08000	AA		J	Screw (for VESA), x4
3	CANGKC130WJ01	AK		P	AV Cover Ass'y
3-1	Not Available	-		-	Terminal Label
3-2	Not Available	-		-	Terminal Cover
4	CANGKC165WJ02	AS	N	P	Stand Angle Ass'y
4-1	Not Available	-	N	-	Support Angle
4-2	Not Available	-	N	-	Bottom Angle
4-3	Not Available	-	N	-	Screw (4x55), x4
5	JBTN-A812WJ1A	AE	N	P	Control Button
6	LANGKC138WJFW	AF	N	P	AC Inlet Angle
7	LHLDFA036WJKZ	AB		J	Wire Holder, x4
8	LHLDWA143WJKZ	AC		J	Wire Holder
9	LHLDWA175WJUJ	AC		J	Wire Holder
10	LX-HZA003WJFN	AC		J	Screw (for Speaker), x2
11	NSFTZA243WJFN	AB		J	Shaft, x4
12	PSLDMB578WJFW	AL	N	P	Main PWB Shield
13	Not Available	-	N	-	Spacer (30x5), x2
14	PSPAKA423WJKZ	AA	N	P	Spacer (0.3x3x8)
15	PSPANAO32WJKZ	AC		J	Spacer (for PWB)
16	QCWN-J026WJQZ	AH		J	Connecting Cord (KM)
17	QCWN-J088WJQZ	AK		J	Connecting Cord
18	QCWN-J206WJQZ	AH	N	P	Connecting Cord (LP)
19	QCWN-J207WJQZ	AY	N	P	Connecting Cord (LW)
20	QCWN-J208WJQZ	AK	N	P	Connecting Cord (LB)
21	QCWN-J211WJQZ	AG	N	P	Connecting Cord, x2
22	QCWN-J550WJPZ	AH	N	P	Connecting Cord (SP)
23	QEARPA339WJFW	AC		P	Earth Plate
24	RCORFA064WJZZ	AE		P	Core (for LCD FFC), x2
25	RSP-ZA391WJZZ	AP		J	Speaker-L
26	RSP-ZA392WJZZ	AP		J	Speaker-R
27	TLABNC117WJZZ	AA		P	Model Label
28	TLABZB406WJZZ	AC		P	ECO Label (for Europe)
29	TLABZC169WJZZ	AF	N	P	POP Label (for Europe)
29	TLABZC170WJZZ	AF	N	P	POP Label (for Russia)
30	XBBS730P04000	AA		J	Screw (for Tuner)
31	XBPS830P06000	AA		J	Screw (for HDMI), x3
32	XEBS730P08000	AA		J	Screw, x2
33	XEBS740P16000	AA		P	Screw (for Rear Cabinet), x9
34	XEBSN40P10000	AB	N	J	Screw (for Cabinet), x6
35	XHPS730P06WS0	AA		J	Screw (for PWB Angle/Rear Cabinet), x28

[9] LCD PANEL MODULE



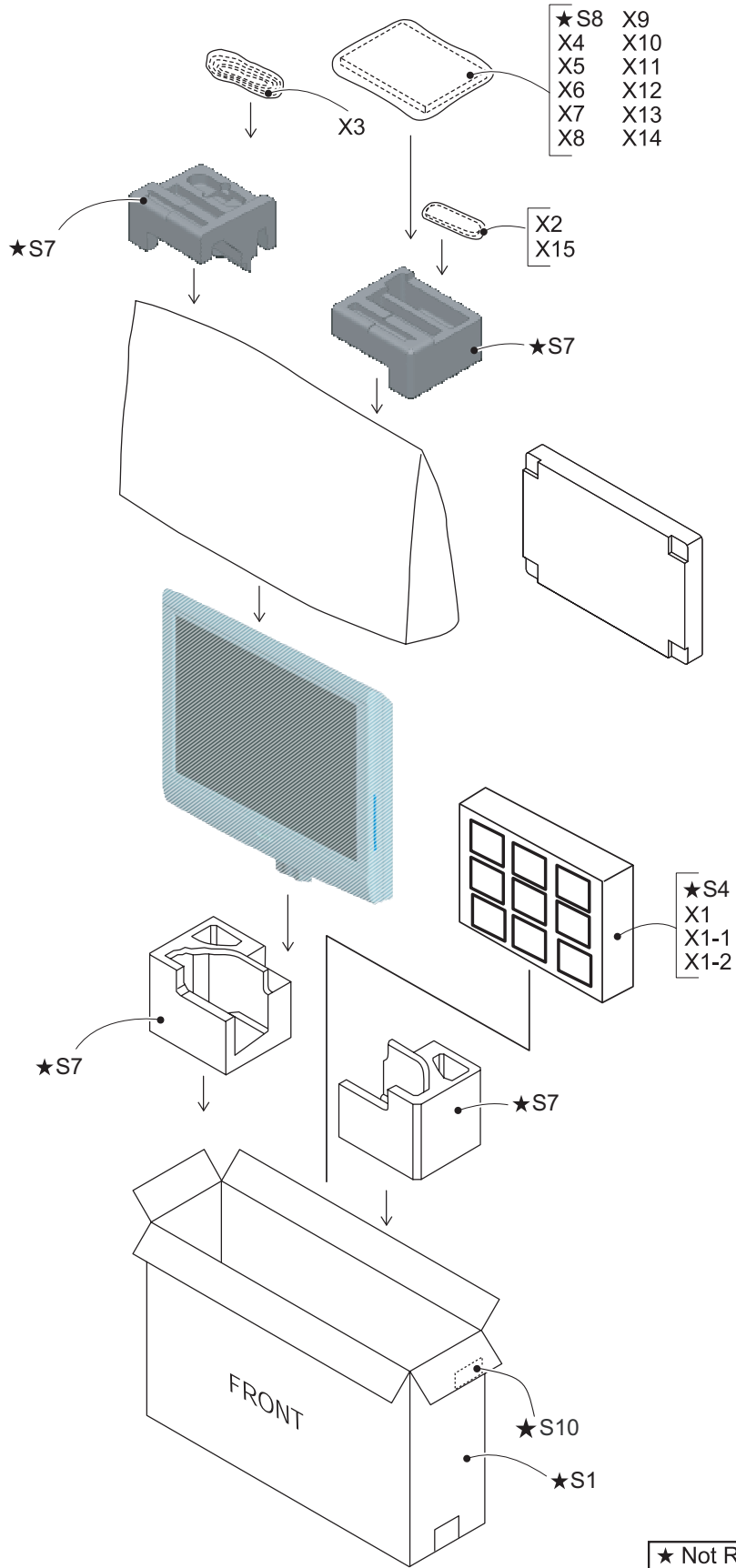
LC-32DH57E/RU/S

NO.	PARTS CODE	PRICE RANK	NEW MARK	PART DELIVERY	DESCRIPTION
[9] LCD PANEL MODULE					
1	R1LK315T3GW40Y	CQ		P	32" LCD Panel Module
2	CANGKC067WJ01	AM		J	Panel Angle Unit Bottom
3	CANGKC068WJ01	AF		J	Panel Angle Unit L
4	CANGKC069WJ01	AE		J	Panel Angle Unit Top R
5	CANGKC115WJ01	AE		J	Panel Angle Unit Top L
6	CCOVMA043WJ01	AH		J	Dust Cover Unit L
7	CCOVMA044WJ01	AG		J	Dust Cover Unit S
8	LHLDZ3785TPZZ	AC		J	S-PWB Clip, x4
9	CHLDZB367WJ01	AS		J	P Chassis Unit Top
10	CHLDZB368WJ01	AS		J	P Chassis Unit Bottom
11	PSHEPA859WJZZ	AU		J	Lens Sheet
12	PSHEPA856WJZZ	AQ		J	Diffusion Sheet
13	PCOVUA156WJZZ	AV		J	Diffusion Plate
14	CHLDZB373WJ01	AT		J	Lamp Holder Unit L
15	CHLDZB374WJ01	AS		J	Lamp Holder Unit R
16	RLMPLA047WJN1	AM		J	Lamp, x6
17	QSOCFA003WJZZ	AD		J	Lamp Socket, x6
18	RUNTKA550WJZZ	AR		J	GND PWB Unit
19	LHLDZB377WJKZ	AB		J	Lamp Clip, x6
20	LHLDZB378WJKZ	AC		J	Lamp Pin, x2
21	PMIR-A229WJZZ	AS		J	Reflector Sheet
22	LCHSMA549WJFW	BA		J	BL Chassis
23	PCOVWA043WJKZ	AM		J	SJ Tech Cover
24	LX-HZA039WJF7	AB		J	Screw, x12
25	LX-HZA046WJF7	AB		J	Screw, x2
26	XHPS830P06WS0	AA		J	Screw, x2

[10] SUPPLIED ACCESSORIES

NO.	PARTS CODE	PRICE RANK	NEW MARK	PART DELIVERY	DESCRIPTION
[10] SUPPLIED ACCESSORIES					
X1	CDAi-A542WJ02	BB	N	P	Stand Unit
X1-1	Not Available	-	N	-	Stand Base
X1-2	Not Available	-	N	-	Screw Ass'y
X2	QACCKA024WJPZ	AP		P	AC Cord (except U.K. and Ireland)
X2	QACCBA073WJPZ	AS		P	AC Cord (for U.K. and Ireland)
X3	RRMCGA779WJSA	AQ	N	P	Remote Control Unit
X4	TCAUSA034WJZZ	AA		P	Caution Sheet (for East Europe)
X5	TCAUZA222WJN1	AB		P	Caution Card (for Europe)
X6	TGAN-A801WJZZ	AB		P	Warranty Card (for U.K. and Ireland)
X7	TGAN-A077WJZZ	AE		J	Warranty Card (for Russia)
X8	TGAN-B078WJZZ	AB		P	Warranty Card (for East Europe)
X9	TGAN-B079WJZZ	AB		P	Warranty Coupon (for East Europe)
X10	TGAN-A802WJZZ	AB		P	AQUOS Card Plan (for U.K. and Ireland)
X11	TiNS-E056WJZZ	AG	N	P	Operation Manual (for Europe except East Europe)
X12	TiNS-E059WJZZ	AC	N	P	Operation Manual (for Russia)
X13	TiNS-E057WJZZ	AH	N	P	Operation Manual (for Northern Europe)
X14	TiNS-E058WJZZ	AK	N	P	Operation Manual (for East Europe)
X15	Not Available	-		-	"AAA" Size Battery

[11] PACKING PARTS (NOT REPLACEMENT ITEM)



NO.	PARTS CODE	PRICE RANK	NEW MARK	PART DELIVERY	DESCRIPTION
[11] PACKING PARTS (NOT REPLACEMENT ITEM)					
S1	SPAKCE791WJZZ	-	N	-	Packing Case
S2	SPAKAA373WJZZ	-		-	Cover Sheet
S3	SPAKFB730WJZZ	-	N	-	Mirror Mat Sup
S4	SPAKFB732WJZZ	-	N	-	Stand Case
S5	SPAKPA382WJZZ	-		-	Wrapping Paper
S6	SPAKPB304WJZZ	-		-	Mirror Mat Base
S7	SPAKXC379WJZZ	-	N	-	Packing Add.
S8	SSAKAA111WJZZ	-		-	Polyethylene Bag
S9	SSAKHA049WJZZ	-	N	-	Polyethylene Bag (for Screw)
S10	TLABM5584BMZZ	-		-	No. Label
[12] SERVICE JIGS					
N	QCNW-G616WJQZ	BK		J	Connecting Cord Main - LCD Control (LW)
N	QCNW-H347WJQZ	AY		J	Connecting Cord Main - LCD Control (LP)
N	QCNW-J413WJPZ	AQ		J	Connecting Cord Main - Speaker (SP)
N	QCNW-J415WJPZ	AT		J	Connecting Cord Main - Key/LED (RA/KM)
N	QCNW-J416WJQZ	CE		J	Connecting Cord LCD - LCD Control
N	QCNW-J835WJQZ	AY		J	Connecting Cord Main - Power (PD/LB)

SHARP

COPYRIGHT © 2009 BY SHARP CORPORATION

ALL RIGHTS RESERVED.

No Part of this publication may be reproduced, stored in a retrieval system, or transmitted in any form or by any means, electronic, mechanical, photocopying, recording, or otherwise, without prior written permission of the publisher.