

CHAPTER 9. PARTS GUIDE**[1] SPARE PARTS LIST**

Model: LC-42SB55E(CMO)			
Item	Code number	Description	Sharp C/N
Mechanical Parts			
70	705TP833007	KEY PAD ASSY	9JR7050000011
30	705TP834027	BEZEL ASSY	9JR7050000016
40	705TP834028	REAR COVER ASSY	9JR7050000017
50	705TP837010	BASE ASSY	9JR7050000020
60	705TP837011	BASE STAND ASSY	9JR7050000021
1185	078T 499902 1M	SPEAKER 6OHM 10W 156mmx30mm	9JR7800000001
1186	078T 499902 1M	SPEAKER 6OHM 10W 156mmx30mm	9JR7800000001
Accessory			
136	705TZ841031	DFU ASSY	9JR7050000024
	705TZ841028	DFU ASSY	9JR7050000023
1172	089T404A18NHT2	POWER CORD 1.8M 4L4L-040-00K	9JR8900000003
1176	098TRABD5NESHCH	REMOTE CONTROL RL57S	9JR9800000002
Packing			
451	705TZ8CS006	CUSHION Assy	9JR7050000025
450	P44TN015843 1A	CARTON	9JR4400000014
miscellanea			
100	0Q1T 940 25 47 CR3	Screw dia.4 x25	9JR0100000021
101	0M1T1140 6120	SCREW 4*6MM	9JR0100000003
102	0Q1T 940 12 47 CR3	T4X12 SCREW	9JR0100000008
103	0M1T1730 8106 CR3	SCREW	9JR0100000019
104	0Q1T 930 8 47 CR3	SCREW	9JR0100000007
105	0Q1T1040 8120	SCREW	9JR0100000010
106	0M1T6022500	SCREW	9JR0100000005
108	0M1T 330 6 47 CR3	SCREW	9JR0100000001
109	0M1T 940 16 47 CR3	SCREW M4X6	9JR0100000002
126	P40TNV0084325B	1RATING LABEL	9JR4000000029
127	P40TA00081328A	FAMILY SHEET- SERVICE	9JR4000000004
130	P40TN00084358A	CARTON LABEL	9JR4000000028
137	P40TN00084342B	LABEL_SIDE_IO	9JR4000000021
143	P45T 48005 1A	P.E. BAG(100 X 70)	9JR4500000003
144	P41TN025843 1C	QSG-1 (Western & North Europe)	9JR4100000008
145	P41TN026843 1B	QSG-2 (Eastern Europe & Russia)	9JR4100000009
455	P45T 46023	PE BAG(1200X1000x0.72mm)	9JR4500000008
503	P40TD000813 9A	family sheet	9JR4000000005
506	P40TD00081311A	FAMILY SHEET	9JR4000000006
8390	095T8014 4F924	HARNESS 4P-4P 700mm 75261	9JR9500000008
8391	095T8014 5F911	HARNESS 5P-5P 350mm 75260	9JR9500000011
8600	095T8013 2F924	HARNESS 2P-FAST 440mm 75262	9JR9500000002
8601	095T8013 3F907	HARNESS 3P-FAST 1030mm 75263	9JR9500000005
8750	095T8018 51929 FP	HARNESS 51P-20*2P 310mm 75229	9JR9500000022
8903	095T801413F909	HARNESS 13P-12P 770mm 75258	9JR9500000016
8905	095T801414F921	HARNESS 14P-13P 150mm 75257	9JR9500000017
LCD panel			
1050	750TVMT0H1741N000P	Panel V420H1-L07 C3 TW CMO	9JR7500000007
1050	750TVMT0H1742N000P	Panel V420H1-L07 C3 NB CMO	9JR7500000008
1050	750TVMT0H1743N000P	PANEL V420H1-L07 C3 NH CMO	9JR7500000009
PCB assy			
1054	ADTV82428PA3	POWER PCB ASSY	9JR9900000001
1053	CBPF82MBPL	Main Pcb Assy SHARP 42"-CMO	9JR9900000006
1056	IRPF8PB7	IR PCB ASSY	9JR9900000009
1057	KEPF8PB2	KEY BOARD	9JR9900000010
Main PCB			
1053	CBPF82MBPL	Main Pcb Assy SHARP 42"-CMO	
1261	TUPF8PD1	TUNER+EEPROM ASSY	9JR9900000014
1262	705TP856090	NOR FLASH ASSY (U390)	9JR7050000031
1302	705TP856089	Serial IIC EEPROM ASSY (CMO-Panasonic)	9JR7050000030
C101	067T 3051013CT	EC 100uF 16V KM 6.3x11mm	9JR6700000018

C102	065T060333312K	Y	CAP CHIP 0603 33N 16V X7R +/-10%	9JR6500000053
C104	065T060333312K	Y	CAP CHIP 0603 33N 16V X7R +/-10%	9JR6500000053
C105	065T060310412K	Y	CAP CHIP 0603 0.1UF K 16V X7R	9JR6500000036
C106	065T060310412K	Y	CAP CHIP 0603 0.1UF K 16V X7R	9JR6500000036
C107	067T 215471 3C		EC 470uF 16V GF 8x16mm	9JR6700000004
C108	065T120610612K	3	CHIP 10uF 16V X7R 10%	9JR6500000098
C109	065T060310412K	Y	CAP CHIP 0603 0.1UF K 16V X7R	9JR6500000036
C110	067T 3052213CT		EC 220uF 16V KM 8x12mm	9JR6700000022
C111	067T 5153313CT		EC 330UF 16V GF 8*16mm	9JR6700000040
C112	067T 5153313CT		EC 330UF 16V GF 8*16mm	9JR6700000040
C114	065T0805475A7Z	Y	CAP CHIP 4.7UF 10V Y5V -20%~+80%	9JR6500000097
C117	065T0805106A7Z	Y	CAP CHIP 0805 10UF Z 10V Y5V	9JR6500000077
C118	065T060310412K	Y	CAP CHIP 0603 0.1UF K 16V X7R	9JR6500000036
C119	065T060310412K	Y	CAP CHIP 0603 0.1UF K 16V X7R	9JR6500000036
C121	065T060310412K	Y	CAP CHIP 0603 0.1UF K 16V X7R	9JR6500000036
C123	065T060310412K	Y	CAP CHIP 0603 0.1UF K 16V X7R	9JR6500000036
C124	065T040210412K	Y	CAP CHIP 0402 100N 16V X7R +/-10%	9JR6500000014
C125	065T060310412K	Y	CAP CHIP 0603 0.1UF K 16V X7R	9JR6500000036
C126	065T060310412K	Y	CAP CHIP 0603 0.1UF K 16V X7R	9JR6500000036
C127	065T0805106A7Z	Y	CAP CHIP 0805 10UF Z 10V Y5V	9JR6500000077
C128	065T060333131J	Y	CAP CHIP 0603 330PF J 50V NPO	9JR6500000051
C129	065T060333131J	Y	CAP CHIP 0603 330PF J 50V NPO	9JR6500000051
C132	065T120610612K	3	CHIP 10uF 16V X7R 10%	9JR6500000098
C150	067T 3051013CT		EC 100uF 16V KM 6.3x11mm	9JR6700000018
C151	065T060310412K	Y	CAP CHIP 0603 0.1UF K 16V X7R	9JR6500000036
C152	067T 3114713ET		EC 470uF 16V RVJ 8x10mm	9JR6700000076
C153	065T0805106A5K	3	CHIP 10uF 10V X5R 10%	9JR6500000148
C156	065T060310412K	Y	CAP CHIP 0603 0.1UF K 16V X7R	9JR6500000036
C157	065T120647522K	3	CER 1206 4U7 25V X7R +/-10%	9JR6500000162
C158	065T060310412K	Y	CAP CHIP 0603 0.1UF K 16V X7R	9JR6500000036
C159	067T 3051013CT		EC 100uF 16V KM 6.3x11mm	9JR6700000018
C160	065T040210412K	Y	CAP CHIP 0402 100N 16V X7R +/-10%	9JR6500000014
C161	067T 31111013ET		EC 100uF 16V VEL 6.3x5.5mm	9JR6700000069
C162	067T 31111013ET		EC 100uF 16V VEL 6.3x5.5mm	9JR6700000069
C164	065T040210412K	Y	CAP CHIP 0402 100N 16V X7R +/-10%	9JR6500000014
C166	065T060310412K	Y	CAP CHIP 0603 0.1UF K 16V X7R	9JR6500000036
C167	067T 3112203ET		EC SMD 22uF 16V RVL 4x5.5mm	9JR6700000071
C168	065T0805106A5K	3	CHIP 10uF 10V X5R 10%	9JR6500000148
C169	065T040210412K	Y	CAP CHIP 0402 100N 16V X7R +/-10%	9JR6500000014
C170	067T 31111013ET		EC 100uF 16V VEL 6.3x5.5mm	9JR6700000069
C171	065T0805106A5K	3	CHIP 10uF 10V X5R 10%	9JR6500000148
C173	065T040210412K	Y	CAP CHIP 0402 100N 16V X7R +/-10%	9JR6500000014
C175	065T0805106A5K	3	CHIP 10uF 10V X5R 10%	9JR6500000148
C200	067T 3114703ET		EC SMD 47uF 16V VEJ 6.3x5.3mm	9JR6700000073
C201	065T060310412K	Y	CAP CHIP 0603 0.1UF K 16V X7R	9JR6500000036
C202	067T 31111013ET		EC 100uF 16V VEL 6.3x5.5mm	9JR6700000069
C203	065T060310412K	Y	CAP CHIP 0603 0.1UF K 16V X7R	9JR6500000036
C204	065T060310332K	Y	CAP CHIP 0603 10NF K 50V X7R	9JR6500000031
C205	065T0805106A7Z	Y	CAP CHIP 0805 10UF Z 10V Y5V	9JR6500000077
C206	065T060310412K	Y	CAP CHIP 0603 0.1UF K 16V X7R	9JR6500000036
C207	065T040210312K	Y	CAP CHIP 0402 10N 16V X7R +/-10%	9JR6500000011
C208	065T040210312K	Y	CAP CHIP 0402 10N 16V X7R +/-10%	9JR6500000011
C209	065T060310412K	Y	CAP CHIP 0603 0.1UF K 16V X7R	9JR6500000036
C210	065T040247312K	3	CHIP CAP 47N 16V X7R 10%	9JR6500000125
C211	065T060347031J	Y	CAP CHIP 0603 47PF J 50V NPO	9JR6500000055
C212	065T040210412K	Y	CAP CHIP 0402 100N 16V X7R +/-10%	9JR6500000014
C213	065T060310512K	3	MLCC 0603 CAP 1uF K 16V X7R	9JR6500000043
C214	065T0805475A2K	3	CAP CHIP 4.7UF 10V X7R +/- 10%	9JR6500000092
C215	065T060310412K	Y	CAP CHIP 0603 0.1UF K 16V X7R	9JR6500000036
C216	065T0805106A7Z	Y	CAP CHIP 0805 10UF Z 10V Y5V	9JR6500000077
C217	065T060310412K	Y	CAP CHIP 0603 0.1UF K 16V X7R	9JR6500000036
C218	065T0805106A7Z	Y	CAP CHIP 0805 10UF Z 10V Y5V	9JR6500000077
C219	065T060310412K	Y	CAP CHIP 0603 0.1UF K 16V X7R	9JR6500000036
C220	065T0805106A7Z	Y	CAP CHIP 0805 10UF Z 10V Y5V	9JR6500000077
C221	065T040210505K	3	CAP CHIP 0402 1UF 6V3 X5R +/-10%	9JR6500000117
C222	067T 3114713ET		EC 470uF 16V RVJ 8x10mm	9JR6700000076
C229	065T040210412K	Y	CAP CHIP 0402 100N 16V X7R +/-10%	9JR6500000014
C230	065T040210232K	Y	CAP CHIP 0402 1N 50V X7R +/-10%	9JR6500000009
C231	065T040227031J	3	CAP CHIP 0402 27P 50V NPO +/-5%	9JR6500000119
C232	065T060310412K	Y	CAP CHIP 0603 0.1UF K 16V X7R	9JR6500000036
C233	065T060310412K	Y	CAP CHIP 0603 0.1UF K 16V X7R	9JR6500000036
C234	065T060310412K	Y	CAP CHIP 0603 0.1UF K 16V X7R	9JR6500000036
C235	065T060310412K	Y	CAP CHIP 0603 0.1UF K 16V X7R	9JR6500000036
C236	065T060310412K	Y	CAP CHIP 0603 0.1UF K 16V X7R	9JR6500000036

LC-26SB25E/S/RU, LC-32SB25E/S/RU, LC-42SB55E/S/RU

C238	065T060310412K	Y	CAP CHIP 0603 0.1UF K 16V X7R	9JR6500000036
C239	065T060310412K	Y	CAP CHIP 0603 0.1UF K 16V X7R	9JR6500000036
C240	065T060310412K	Y	CAP CHIP 0603 0.1UF K 16V X7R	9JR6500000036
C241	065T060310412K	Y	CAP CHIP 0603 0.1UF K 16V X7R	9JR6500000036
C242	065T060310412K	Y	CAP CHIP 0603 0.1UF K 16V X7R	9JR6500000036
C243	065T060310412K	Y	CAP CHIP 0603 0.1UF K 16V X7R	9JR6500000036
C244	065T040210412K	Y	CAP CHIP 0402 100N 16V X7R +/-10%	9JR6500000014
C245	065T060310412K	Y	CAP CHIP 0603 0.1UF K 16V X7R	9JR6500000036
C246	065T060310412K	Y	CAP CHIP 0603 0.1UF K 16V X7R	9JR6500000036
C247	065T060310412K	Y	CAP CHIP 0603 0.1UF K 16V X7R	9JR6500000036
C248	065T060310412K	Y	CAP CHIP 0603 0.1UF K 16V X7R	9JR6500000036
C249	065T060310412K	Y	CAP CHIP 0603 0.1UF K 16V X7R	9JR6500000036
C251	065T060310512K	3	MLCC 0603 CAP 1uF K 16V X7R	9JR6500000043
C252	065T040210505K	3	CAP CHIP 0402 1UF 6V3 X5R +/-10%	9JR6500000117
C254	065T060310512K	3	MLCC 0603 CAP 1uF K 16V X7R	9JR6500000043
C255	065T0805475A2K	3	CAP CHIP 4.7UF 10V X7R +/- 10%	9JR6500000092
C256	065T060310512K	3	MLCC 0603 CAP 1uF K 16V X7R	9JR6500000043
C258	065T040210412K	Y	CAP CHIP 0402 100N 16V X7R +/-10%	9JR6500000014
C259	065T040210412K	Y	CAP CHIP 0402 100N 16V X7R +/-10%	9JR6500000014
C260	065T040210412K	Y	CAP CHIP 0402 100N 16V X7R +/-10%	9JR6500000014
C261	065T040210412K	Y	CAP CHIP 0402 100N 16V X7R +/-10%	9JR6500000014
C262	065T040210412K	Y	CAP CHIP 0402 100N 16V X7R +/-10%	9JR6500000014
C263	065T040210412K	Y	CAP CHIP 0402 100N 16V X7R +/-10%	9JR6500000014
C264	065T040210412K	Y	CAP CHIP 0402 100N 16V X7R +/-10%	9JR6500000014
C265	065T040210412K	Y	CAP CHIP 0402 100N 16V X7R +/-10%	9JR6500000014
C266	065T040210412K	Y	CAP CHIP 0402 100N 16V X7R +/-10%	9JR6500000014
C267	065T040210412K	Y	CAP CHIP 0402 100N 16V X7R +/-10%	9JR6500000014
C268	065T040210412K	Y	CAP CHIP 0402 100N 16V X7R +/-10%	9JR6500000014
C269	065T040210412K	Y	CAP CHIP 0402 100N 16V X7R +/-10%	9JR6500000014
C270	065T040210412K	Y	CAP CHIP 0402 100N 16V X7R +/-10%	9JR6500000014
C271	065T040210412K	Y	CAP CHIP 0402 100N 16V X7R +/-10%	9JR6500000014
C272	065T040210412K	Y	CAP CHIP 0402 100N 16V X7R +/-10%	9JR6500000014
C273	065T040210412K	Y	CAP CHIP 0402 100N 16V X7R +/-10%	9JR6500000014
C274	065T060310512K	3	MLCC 0603 CAP 1uF K 16V X7R	9JR6500000043
C275	065T0805475A2K	3	CAP CHIP 4.7UF 10V X7R +/- 10%	9JR6500000092
C276	065T0805475A2K	3	CAP CHIP 4.7UF 10V X7R +/- 10%	9JR6500000092
C277	065T060310512K	3	MLCC 0603 CAP 1uF K 16V X7R	9JR6500000043
C278	065T060310412K	Y	CAP CHIP 0603 0.1UF K 16V X7R	9JR6500000036
C279	065T060322412K	Y	CAP CHIP 0603 0.22UF K 16V X7R	9JR6500000137
C280	065T0805106A7Z	Y	CAP CHIP 0805 10UF Z 10V Y5V	9JR6500000077
C281	065T0805106A7Z	Y	CAP CHIP 0805 10UF Z 10V Y5V	9JR6500000077
C282	065T040210031J	3	CAP CHIP 0402 10P 50V NPO +/-5%	9JR6500000116
C283	065T0805106A7Z	Y	CAP CHIP 0805 10UF Z 10V Y5V	9JR6500000077
C284	065T060322412K	Y	CAP CHIP 0603 0.22UF K 16V X7R	9JR6500000137
C285	065T060347312K	Y	CAP CHIP 0603 47N 16V X7R +/-10%	9JR6500000059
C286	065T040227031J	3	CAP CHIP 0402 27P 50V NPO +/-5%	9JR6500000119
C287	065T040210232K	Y	CAP CHIP 0402 1N 50V X7R +/-10%	9JR6500000009
C290	065T060322412K	Y	CAP CHIP 0603 0.22UF K 16V X7R	9JR6500000137
C292	065T060310412K	Y	CAP CHIP 0603 0.1UF K 16V X7R	9JR6500000036
C293	065T060310412K	Y	CAP CHIP 0603 0.1UF K 16V X7R	9JR6500000036
C302	065T040210412K	Y	CAP CHIP 0402 100N 16V X7R +/-10%	9JR6500000014
C303	065T040210412K	Y	CAP CHIP 0402 100N 16V X7R +/-10%	9JR6500000014
C304	065T060310031J	Y	MLCC 0603 10PF J 50V NPO	9JR6500000025
C305	065T060310031J	Y	MLCC 0603 10PF J 50V NPO	9JR6500000025
C306	065T040210412K	Y	CAP CHIP 0402 100N 16V X7R +/-10%	9JR6500000014
C307	065T040210412K	Y	CAP CHIP 0402 100N 16V X7R +/-10%	9JR6500000014
C308	065T060310221J	Y	CAP CHIP 0603 1NF J 25V MPO	9JR6500000027
C309	065T060310512K	3	MLCC 0603 CAP 1uF K 16V X7R	9JR6500000043
C310	065T060310512K	3	MLCC 0603 CAP 1uF K 16V X7R	9JR6500000043
C311	065T060310512K	3	MLCC 0603 CAP 1uF K 16V X7R	9JR6500000043
C318	065T040210412K	Y	CAP CHIP 0402 100N 16V X7R +/-10%	9JR6500000014
C319	065T0805475A2K	3	CAP CHIP 4.7UF 10V X7R +/- 10%	9JR6500000092
C321	067T 3111013ET		EC 100uF 16V VEL 6.3x5.5mm	9JR6700000069
C322	065T060310512K	3	MLCC 0603 CAP 1uF K 16V X7R	9JR6500000043
C323	065T0805475A2K	3	CAP CHIP 4.7UF 10V X7R +/- 10%	9JR6500000092
C324	065T040210412K	Y	CAP CHIP 0402 100N 16V X7R +/-10%	9JR6500000014
C325	065T040210312K	Y	CAP CHIP 0402 10N 16V X7R +/-10%	9JR6500000011
C326	065T0805475A2K	3	CAP CHIP 4.7UF 10V X7R +/- 10%	9JR6500000092
C327	065T040210412K	Y	CAP CHIP 0402 100N 16V X7R +/-10%	9JR6500000014
C329	065T060310512K	3	MLCC 0603 CAP 1uF K 16V X7R	9JR6500000043
C330	065T040210412K	Y	CAP CHIP 0402 100N 16V X7R +/-10%	9JR6500000014
C350	067T 3111013ET		EC 100uF 16V VEL 6.3x5.5mm	9JR6700000069
C351	065T0805475A2K	3	CAP CHIP 4.7UF 10V X7R +/- 10%	9JR6500000092
C352	065T060310512K	3	MLCC 0603 CAP 1uF K 16V X7R	9JR6500000043

C353	065T040210412K	Y	CAP CHIP 0402 100N 16V X7R +/-10%	9JR6500000014
C354	065T040210412K	Y	CAP CHIP 0402 100N 16V X7R +/-10%	9JR6500000014
C355	065T040210412K	Y	CAP CHIP 0402 100N 16V X7R +/-10%	9JR6500000014
C356	065T040210412K	Y	CAP CHIP 0402 100N 16V X7R +/-10%	9JR6500000014
C357	065T040210412K	Y	CAP CHIP 0402 100N 16V X7R +/-10%	9JR6500000014
C358	065T060310512K	3	MLCC 0603 CAP 1uF K 16V X7R	9JR6500000043
C359	065T040210412K	Y	CAP CHIP 0402 100N 16V X7R +/-10%	9JR6500000014
C360	065T040210412K	Y	CAP CHIP 0402 100N 16V X7R +/-10%	9JR6500000014
C361	065T040210412K	Y	CAP CHIP 0402 100N 16V X7R +/-10%	9JR6500000014
C362	065T0805475A2K	3	CAP CHIP 4.7UF 10V X7R +/- 10%	9JR6500000092
C363	065T0805475A2K	3	CAP CHIP 4.7UF 10V X7R +/- 10%	9JR6500000092
C364	065T060310512K	3	MLCC 0603 CAP 1uF K 16V X7R	9JR6500000043
C365	065T040210412K	Y	CAP CHIP 0402 100N 16V X7R +/-10%	9JR6500000014
C366	065T040210412K	Y	CAP CHIP 0402 100N 16V X7R +/-10%	9JR6500000014
C367	065T040210412K	Y	CAP CHIP 0402 100N 16V X7R +/-10%	9JR6500000014
C368	065T040210412K	Y	CAP CHIP 0402 100N 16V X7R +/-10%	9JR6500000014
C369	067T 3111013ET		EC 100uF 16V VEL 6.3x5.5mm	9JR6700000069
C370	065T040210412K	Y	CAP CHIP 0402 100N 16V X7R +/-10%	9JR6500000014
C371	065T060310512K	3	MLCC 0603 CAP 1uF K 16V X7R	9JR6500000043
C372	067T 3051013CT		EC 100uF 16V KM 6.3x11mm	9JR6700000018
C373	065T040210412K	Y	CAP CHIP 0402 100N 16V X7R +/-10%	9JR6500000014
C374	065T040210412K	Y	CAP CHIP 0402 100N 16V X7R +/-10%	9JR6500000014
C375	065T040210412K	Y	CAP CHIP 0402 100N 16V X7R +/-10%	9JR6500000014
C376	065T040210412K	Y	CAP CHIP 0402 100N 16V X7R +/-10%	9JR6500000014
C377	065T040210412K	Y	CAP CHIP 0402 100N 16V X7R +/-10%	9JR6500000014
C378	065T040210412K	Y	CAP CHIP 0402 100N 16V X7R +/-10%	9JR6500000014
C379	065T0805475A2K	3	CAP CHIP 4.7UF 10V X7R +/- 10%	9JR6500000092
C380	065T040210412K	Y	CAP CHIP 0402 100N 16V X7R +/-10%	9JR6500000014
C381	065T040210412K	Y	CAP CHIP 0402 100N 16V X7R +/-10%	9JR6500000014
C382	065T040210412K	Y	CAP CHIP 0402 100N 16V X7R +/-10%	9JR6500000014
C383	065T040210412K	Y	CAP CHIP 0402 100N 16V X7R +/-10%	9JR6500000014
C384	065T040210412K	Y	CAP CHIP 0402 100N 16V X7R +/-10%	9JR6500000014
C385	065T0805475A2K	3	CAP CHIP 4.7UF 10V X7R +/- 10%	9JR6500000092
C386	065T040210412K	Y	CAP CHIP 0402 100N 16V X7R +/-10%	9JR6500000014
C390	065T060310412K	Y	CAP CHIP 0603 0.1UF K 16V X7R	9JR6500000036
C393	065T060310437Z	Y	CAP CHIP 0603 0.1UF Z 50V Y5V	9JR6500000038
C395	065T060310437Z	Y	CAP CHIP 0603 0.1UF Z 50V Y5V	9JR6500000038
C396	065T060310437Z	Y	CAP CHIP 0603 0.1UF Z 50V Y5V	9JR6500000038
C397	065T060310437Z	Y	CAP CHIP 0603 0.1UF Z 50V Y5V	9JR6500000038
C398	065T060310437Z	Y	CAP CHIP 0603 0.1UF Z 50V Y5V	9JR6500000038
C400	065T040227031J	3	CAP CHIP 0402 27P 50V NPO +/-5%	9JR6500000119
C401	065T040227031J	3	CAP CHIP 0402 27P 50V NPO +/-5%	9JR6500000119
C402	065T0805106A7Z	Y	CAP CHIP 0805 10UF Z 10V Y5V	9JR6500000077
C403	065T060310412K	Y	CAP CHIP 0603 0.1UF K 16V X7R	9JR6500000036
C404	065T0805106A7Z	Y	CAP CHIP 0805 10UF Z 10V Y5V	9JR6500000077
C405	065T0805106A7Z	Y	CAP CHIP 0805 10UF Z 10V Y5V	9JR6500000077
C406	065T0805106A7Z	Y	CAP CHIP 0805 10UF Z 10V Y5V	9JR6500000077
C407	065T0805106A7Z	Y	CAP CHIP 0805 10UF Z 10V Y5V	9JR6500000077
C408	065T060310412K	Y	CAP CHIP 0603 0.1UF K 16V X7R	9JR6500000036
C409	065T060310412K	Y	CAP CHIP 0603 0.1UF K 16V X7R	9JR6500000036
C410	065T060310412K	Y	CAP CHIP 0603 0.1UF K 16V X7R	9JR6500000036
C411	065T060310412K	Y	CAP CHIP 0603 0.1UF K 16V X7R	9JR6500000036
C412	065T060310412K	Y	CAP CHIP 0603 0.1UF K 16V X7R	9JR6500000036
C413	065T060310412K	Y	CAP CHIP 0603 0.1UF K 16V X7R	9JR6500000036
C414	065T0805106A7Z	Y	CAP CHIP 0805 10UF Z 10V Y5V	9JR6500000077
C415	065T0805106A7Z	Y	CAP CHIP 0805 10UF Z 10V Y5V	9JR6500000077
C416	065T060310412K	Y	CAP CHIP 0603 0.1UF K 16V X7R	9JR6500000036
C417	065T060310412K	Y	CAP CHIP 0603 0.1UF K 16V X7R	9JR6500000036
C418	065T0805106A7Z	Y	CAP CHIP 0805 10UF Z 10V Y5V	9JR6500000077
C419	065T060310512K	3	MLCC 0603 CAP 1uF K 16V X7R	9JR6500000043
C420	065T060310412K	Y	CAP CHIP 0603 0.1UF K 16V X7R	9JR6500000036
C421	065T0805106A7Z	Y	CAP CHIP 0805 10UF Z 10V Y5V	9JR6500000077
C422	065T060310512K	3	MLCC 0603 CAP 1uF K 16V X7R	9JR6500000043
C423	065T060310412K	Y	CAP CHIP 0603 0.1UF K 16V X7R	9JR6500000036
C424	065T060310031J	Y	MLCC 0603 10PF J 50V NPO	9JR6500000025
C425	065T060310412K	Y	CAP CHIP 0603 0.1UF K 16V X7R	9JR6500000036
C427	065T0805106A7Z	Y	CAP CHIP 0805 10UF Z 10V Y5V	9JR6500000077
C428	065T0805106A7Z	Y	CAP CHIP 0805 10UF Z 10V Y5V	9JR6500000077
C429	065T0805106A7Z	Y	CAP CHIP 0805 10UF Z 10V Y5V	9JR6500000077
C430	065T0805106A7Z	Y	CAP CHIP 0805 10UF Z 10V Y5V	9JR6500000077
C431	065T060310031J	Y	MLCC 0603 10PF J 50V NPO	9JR6500000025
C432	065T060310412K	Y	CAP CHIP 0603 0.1UF K 16V X7R	9JR6500000036
C433	065T060310412K	Y	CAP CHIP 0603 0.1UF K 16V X7R	9JR6500000036
C434	065T060310031J	Y	MLCC 0603 10PF J 50V NPO	9JR6500000025

LC-26SB25E/S/RU, LC-32SB25E/S/RU, LC-42SB55E/S/RU

C435	065T060310031J Y	MLCC 0603 10PF J 50V NPO	9JR6500000025
C436	065T060310031J Y	MLCC 0603 10PF J 50V NPO	9JR6500000025
C437	065T060310031J Y	MLCC 0603 10PF J 50V NPO	9JR6500000025
C438	065T060310031J Y	MLCC 0603 10PF J 50V NPO	9JR6500000025
C439	065T060310031J Y	MLCC 0603 10PF J 50V NPO	9JR6500000025
C500	067T 3114703ET	EC SMD 47uF 16V VEJ 6.3x5.3mm	9JR6700000073
C501	067T 3114713ET	EC 470uF 16V RVJ 8x10mm	9JR6700000076
C502	065T060310412K Y	CAP CHIP 0603 0.1UF K 16V X7R	9JR6500000036
C503	065T040210312K Y	CAP CHIP 0402 10N 16V X7R +/-10%	9JR6500000011
C504	065T040247312K 3	CHIP CAP 47N 16V X7R 10%	9JR6500000125
C505	065T040210312K Y	CAP CHIP 0402 10N 16V X7R +/-10%	9JR6500000011
C506	065T040215031J 3	CAP CHIP 0402 15P 50V NPO +/-5%	9JR6500000015
C507	065T040210312K Y	CAP CHIP 0402 10N 16V X7R +/-10%	9JR6500000011
C508	065T040215031J 3	CAP CHIP 0402 15P 50V NPO +/-5%	9JR6500000015
C509	065T040210312K Y	CAP CHIP 0402 10N 16V X7R +/-10%	9JR6500000011
C510	065T040215031J 3	CAP CHIP 0402 15P 50V NPO +/-5%	9JR6500000015
C511	065T040210312K Y	CAP CHIP 0402 10N 16V X7R +/-10%	9JR6500000011
C512	065T0805106A7Z Y	CAP CHIP 0805 10UF Z 10V Y5V	9JR6500000077
C513	065T0805106A7Z Y	CAP CHIP 0805 10UF Z 10V Y5V	9JR6500000077
C514	065T040247312K 3	CHIP CAP 47N 16V X7R 10%	9JR6500000125
C515	065T0805106A7Z Y	CAP CHIP 0805 10UF Z 10V Y5V	9JR6500000077
C516	065T0805106A7Z Y	CAP CHIP 0805 10UF Z 10V Y5V	9JR6500000077
C517	065T040215031J 3	CAP CHIP 0402 15P 50V NPO +/-5%	9JR6500000015
C518	065T060347031J Y	CAP CHIP 0603 47PF J 50V NPO	9JR6500000055
C519	065T040210505K 3	CAP CHIP 0402 1UF 6V3 X5R +/-10%	9JR6500000117
C520	065T040247312K 3	CHIP CAP 47N 16V X7R 10%	9JR6500000125
C521	065T060347031J Y	CAP CHIP 0603 47PF J 50V NPO	9JR6500000055
C522	065T040210505K 3	CAP CHIP 0402 1UF 6V3 X5R +/-10%	9JR6500000117
C523	065T040247312K 3	CHIP CAP 47N 16V X7R 10%	9JR6500000125
C541	065T060322031J Y	CAP CHIP 0603 22PF J 50V NPO	9JR6500000134
C542	065T060310131J Y	CAP CHIP 0603 100PF J 50V NPO	9JR6500000130
C546	065T080510617Z 3	CAP CHIP 0805 10U 16V Y5V -20~+80%	9JR6500000146
C547	065T080510617Z 3	CAP CHIP 0805 10U 16V Y5V -20~+80%	9JR6500000146
C550	065T040210412K Y	CAP CHIP 0402 100N 16V X7R +/-10%	9JR6500000014
C551	065T080510512K Y	CAP CHIP 0805 1UF K 16V X7R	9JR6500000075
C552	065T0805475A2K 3	CAP CHIP 4.7UF 10V X7R +/- 10%	9JR6500000092
C553	065T040210412K Y	CAP CHIP 0402 100N 16V X7R +/-10%	9JR6500000014
C554	065T080510512K Y	CAP CHIP 0805 1UF K 16V X7R	9JR6500000075
C555	065T0805475A2K 3	CAP CHIP 4.7UF 10V X7R +/- 10%	9JR6500000092
C556	065T080510512K Y	CAP CHIP 0805 1UF K 16V X7R	9JR6500000075
C557	065T0805475A2K 3	CAP CHIP 4.7UF 10V X7R +/- 10%	9JR6500000092
C558	065T040210412K Y	CAP CHIP 0402 100N 16V X7R +/-10%	9JR6500000014
C559	065T040210232K Y	CAP CHIP 0402 1N 50V X7R +/-10%	9JR6500000009
C560	065T040210312K Y	CAP CHIP 0402 10N 16V X7R +/-10%	9JR6500000011
C561	065T040210312K Y	CAP CHIP 0402 10N 16V X7R +/-10%	9JR6500000011
C562	065T060310412K Y	CAP CHIP 0603 0.1UF K 16V X7R	9JR6500000036
C563	065T040250931D 3	CAP CHIP 0402 5PF 50V NPO +/-0.5pF	9JR6500000127
C564	065T040215031J 3	CAP CHIP 0402 15P 50V NPO +/-5%	9JR6500000015
C565	065T040210312K Y	CAP CHIP 0402 10N 16V X7R +/-10%	9JR6500000011
C567	065T040250931D 3	CAP CHIP 0402 5PF 50V NPO +/-0.5pF	9JR6500000127
C568	065T040210312K Y	CAP CHIP 0402 10N 16V X7R +/-10%	9JR6500000011
C569	065T040215031J 3	CAP CHIP 0402 15P 50V NPO +/-5%	9JR6500000015
C570	065T060310412K Y	CAP CHIP 0603 0.1UF K 16V X7R	9JR6500000036
C571	065T060322517Z Y	CAP CHIP 0603 2.2UF Z 16V Y5V	9JR6500000138
C572	065T040210312K Y	CAP CHIP 0402 10N 16V X7R +/-10%	9JR6500000011
C573	065T060310131J Y	CAP CHIP 0603 100PF J 50V NPO	9JR6500000130
C574	065T040215031J 3	CAP CHIP 0402 15P 50V NPO +/-5%	9JR6500000015
C575	065T060322517Z Y	CAP CHIP 0603 2.2UF Z 16V Y5V	9JR6500000138
C576	065T040210312K Y	CAP CHIP 0402 10N 16V X7R +/-10%	9JR6500000011
C577	065T0805106A7Z Y	CAP CHIP 0805 10UF Z 10V Y5V	9JR6500000077
C580	065T080510617Z 3	CAP CHIP 0805 10U 16V Y5V -20~+80%	9JR6500000146
C581	065T0805106A7Z Y	CAP CHIP 0805 10UF Z 10V Y5V	9JR6500000077
C582	065T080510617Z 3	CAP CHIP 0805 10U 16V Y5V -20~+80%	9JR6500000146
C585	065T060310131J Y	CAP CHIP 0603 100PF J 50V NPO	9JR6500000130
C587	065T040210312K Y	CAP CHIP 0402 10N 16V X7R +/-10%	9JR6500000011
C588	065T040215031J 3	CAP CHIP 0402 15P 50V NPO +/-5%	9JR6500000015
C589	065T040215031J 3	CAP CHIP 0402 15P 50V NPO +/-5%	9JR6500000015
C590	065T040210312K Y	CAP CHIP 0402 10N 16V X7R +/-10%	9JR6500000011
C591	065T0805106A7Z Y	CAP CHIP 0805 10UF Z 10V Y5V	9JR6500000077
C592	065T040210312K Y	CAP CHIP 0402 10N 16V X7R +/-10%	9JR6500000011
C593	065T040210312K Y	CAP CHIP 0402 10N 16V X7R +/-10%	9JR6500000011
C596	065T040210312K Y	CAP CHIP 0402 10N 16V X7R +/-10%	9JR6500000011
C597	065T040210312K Y	CAP CHIP 0402 10N 16V X7R +/-10%	9JR6500000011
C598	065T040215031J 3	CAP CHIP 0402 15P 50V NPO +/-5%	9JR6500000015

C599	065T0805106A7Z	Y	CAP CHIP 0805 10UF Z 10V Y5V	9JR6500000077
C600	065T040210412K	Y	CAP CHIP 0402 100N 16V X7R +/-10%	9JR6500000014
C601	065T0805475A2K	3	CAP CHIP 4.7UF 10V X7R +/- 10%	9JR6500000092
C602	065T040210412K	Y	CAP CHIP 0402 100N 16V X7R +/-10%	9JR6500000014
C603	065T060310512K	3	MLCC 0603 CAP 1uF K 16V X7R	9JR6500000043
C604	065T0805475A2K	3	CAP CHIP 4.7UF 10V X7R +/- 10%	9JR6500000092
C605	065T040210412K	Y	CAP CHIP 0402 100N 16V X7R +/-10%	9JR6500000014
C606	065T060310512K	3	MLCC 0603 CAP 1uF K 16V X7R	9JR6500000043
C607	065T0805475A2K	3	CAP CHIP 4.7UF 10V X7R +/- 10%	9JR6500000092
C608	065T040210412K	Y	CAP CHIP 0402 100N 16V X7R +/-10%	9JR6500000014
C609	065T060310512K	3	MLCC 0603 CAP 1uF K 16V X7R	9JR6500000043
C610	065T0805475A2K	3	CAP CHIP 4.7UF 10V X7R +/- 10%	9JR6500000092
C611	065T060310512K	3	MLCC 0603 CAP 1uF K 16V X7R	9JR6500000043
C612	065T0805475A2K	3	CAP CHIP 4.7UF 10V X7R +/- 10%	9JR6500000092
C613	065T040210412K	Y	CAP CHIP 0402 100N 16V X7R +/-10%	9JR6500000014
C614	067T 3111013ET		EC 100uF 16V VEL 6.3x5.5mm	9JR6700000069
C615	065T060310512K	3	MLCC 0603 CAP 1uF K 16V X7R	9JR6500000043
C616	065T0805475A2K	3	CAP CHIP 4.7UF 10V X7R +/- 10%	9JR6500000092
C617	065T040210412K	Y	CAP CHIP 0402 100N 16V X7R +/-10%	9JR6500000014
C618	065T060310412K	Y	CAP CHIP 0603 0.1UF K 16V X7R	9JR6500000036
C619	067T 3111003ET		EC SMD 10uF 16V VEJ 4x5.3mm	9JR6700000067
C620	065T040210412K	Y	CAP CHIP 0402 100N 16V X7R +/-10%	9JR6500000014
C621	065T080547412K	3	CAP CHIP 0805 470N 16V X7R +/-10%	9JR6500000088
C622	067T215A1017CT		EC 100uF 50V GF 8*12mm	9JR6700000083
C623	067T 305471 7C		EC 470uF 50V KM 10x20mm	9JR6700000065
C624	067T 3052214CT		EC 220UF/25V KM 8*11mm	9JR6700000061
C625	065T120647432K	3	CAP CHIP 470N 50V X7R +/- 10%	9JR6500000160
C626	065T0603474A7Z	Y	CAP CHIP 0603 470N 10V Y5V -20%+80%	9JR6500000140
C627	065T040233132K	3	CAP CHIP 0402 330P 50V X7R +/-10%	9JR6500000121
C628	065T060310437Z	Y	CAP CHIP 0603 0.1UF Z 50V Y5V	9JR6500000038
C629	065T060310437Z	Y	CAP CHIP 0603 0.1UF Z 50V Y5V	9JR6500000038
C630	067T215A471 4C		EC 470uF 25V GF 10x16mm	9JR6700000084
C631	065T0603474A7Z	Y	CAP CHIP 0603 470N 10V Y5V -20%+80%	9JR6500000140
C632	065T060347131J	Y	CAP CHIP 0603 470PF J 50V NPO	9JR6500000057
C633	065T060315332K	Y	CAP CHIP 0603 15NF K 50V X7R	9JR6500000132
C634	065T060310437Z	Y	CAP CHIP 0603 0.1UF Z 50V Y5V	9JR6500000038
C635	065T120647432K	3	CAP CHIP 470N 50V X7R +/- 10%	9JR6500000160
C636	065T060310437Z	Y	CAP CHIP 0603 0.1UF Z 50V Y5V	9JR6500000038
C637	065T060310437Z	Y	CAP CHIP 0603 0.1UF Z 50V Y5V	9JR6500000038
C638	065T060315332K	Y	CAP CHIP 0603 15NF K 50V X7R	9JR6500000132
C639	065T060310437Z	Y	CAP CHIP 0603 0.1UF Z 50V Y5V	9JR6500000038
C640	065T120647432K	3	CAP CHIP 470N 50V X7R +/- 10%	9JR6500000160
C641	065T060310437Z	Y	CAP CHIP 0603 0.1UF Z 50V Y5V	9JR6500000038
C642	067T 3054704CT		EC 47uF 25V KM 5x11mm	9JR6700000027
C643	065T060347131J	Y	CAP CHIP 0603 470PF J 50V NPO	9JR6500000057
C644	065T060310437Z	Y	CAP CHIP 0603 0.1UF Z 50V Y5V	9JR6500000038
C645	065T0603474A7Z	Y	CAP CHIP 0603 470N 10V Y5V -20%+80%	9JR6500000140
C646	065T040233132K	3	CAP CHIP 0402 330P 50V X7R +/-10%	9JR6500000121
C647	065T060310437Z	Y	CAP CHIP 0603 0.1UF Z 50V Y5V	9JR6500000038
C648	065T060310437Z	Y	CAP CHIP 0603 0.1UF Z 50V Y5V	9JR6500000038
C649	065T060310437Z	Y	CAP CHIP 0603 0.1UF Z 50V Y5V	9JR6500000038
C650	065T0805106A7Z	Y	CAP CHIP 0805 10UF Z 10V Y5V	9JR6500000077
C651	065T080510617Z	3	CAP CHIP 0805 10U 16V Y5V -20~+80%	9JR6500000146
C652	065T0805106A7Z	Y	CAP CHIP 0805 10UF Z 10V Y5V	9JR6500000077
C653	065T0805475A2K	3	CAP CHIP 4.7UF 10V X7R +/- 10%	9JR6500000092
C654	065T040210412K	Y	CAP CHIP 0402 100N 16V X7R +/-10%	9JR6500000014
C655	065T080510617Z	3	CAP CHIP 0805 10U 16V Y5V -20~+80%	9JR6500000146
C656	065T080510617Z	3	CAP CHIP 0805 10U 16V Y5V -20~+80%	9JR6500000146
C657	065T040210412K	Y	CAP CHIP 0402 100N 16V X7R +/-10%	9JR6500000014
C658	065T060310512K	3	MLCC 0603 CAP 1uF K 16V X7R	9JR6500000043
C659	065T0805475A2K	3	CAP CHIP 4.7UF 10V X7R +/- 10%	9JR6500000092
C660	065T040210412K	Y	CAP CHIP 0402 100N 16V X7R +/-10%	9JR6500000014
C661	065T060310512K	3	MLCC 0603 CAP 1uF K 16V X7R	9JR6500000043
C662	065T0805475A2K	3	CAP CHIP 4.7UF 10V X7R +/- 10%	9JR6500000092
C663	065T040210412K	Y	CAP CHIP 0402 100N 16V X7R +/-10%	9JR6500000014
C664	065T040247312K	3	CHIP CAP 47N 16V X7R 10%	9JR6500000125
C665	065T060347031J	Y	CAP CHIP 0603 47PF J 50V NPO	9JR6500000055
C666	065T040210412K	Y	CAP CHIP 0402 100N 16V X7R +/-10%	9JR6500000014
C667	065T060310512K	3	MLCC 0603 CAP 1uF K 16V X7R	9JR6500000043
C668	065T0805475A2K	3	CAP CHIP 4.7UF 10V X7R +/- 10%	9JR6500000092
C669	065T040210412K	Y	CAP CHIP 0402 100N 16V X7R +/-10%	9JR6500000014
C670	065T060310512K	3	MLCC 0603 CAP 1uF K 16V X7R	9JR6500000043
C671	065T0805475A2K	3	CAP CHIP 4.7UF 10V X7R +/- 10%	9JR6500000092
C672	065T0805106A7Z	Y	CAP CHIP 0805 10UF Z 10V Y5V	9JR6500000077

LC-26SB25E/S/RU, LC-32SB25E/S/RU, LC-42SB55E/S/RU

C674	065T0805106A7Z Y	CAP CHIP 0805 10UF Z 10V Y5V	9JR650000077
C676	065T040247312K 3	CHIP CAP 47N 16V X7R 10%	9JR6500000125
C677	065T060347031J Y	CAP CHIP 0603 47PF J 50V NPO	9JR6500000055
C678	065T040210412K Y	CAP CHIP 0402 100N 16V X7R +/-10%	9JR6500000014
C679	065T060310412K Y	CAP CHIP 0603 0.1UF K 16V X7R	9JR6500000036
C680	065T040247312K 3	CHIP CAP 47N 16V X7R 10%	9JR6500000125
C681	065T060333031J Y	CAP CHIP 0603 33PF J 50V NPO	9JR6500000049
C682	065T060347031J Y	CAP CHIP 0603 47PF J 50V NPO	9JR6500000055
C683	065T040210412K Y	CAP CHIP 0402 100N 16V X7R +/-10%	9JR6500000014
C684	067T215A471 4C	EC 470uF 25V GF 10x16mm	9JR6700000084
C685	065T0603474A7Z Y	CAP CHIP 0603 470N 10V Y5V -20%+80%	9JR6500000140
C686	065T040210412K Y	CAP CHIP 0402 100N 16V X7R +/-10%	9JR6500000014
C687	065T040210412K Y	CAP CHIP 0402 100N 16V X7R +/-10%	9JR6500000014
C688	067T 3111097ET	EC SMD 1uF 50V VEJ 4x5.5mm	9JR6700000070
C689	065T0805475A7Z Y	CAP CHIP 4.7UF 10V Y5V -20%~+80%	9JR6500000097
C690	065T060368232K Y	CAP CHIP 0603 6800PF K 50V X7R	9JR6500000142
C691	065T060368232K Y	CAP CHIP 0603 6800PF K 50V X7R	9JR6500000142
C692	065T060310131J Y	CAP CHIP 0603 100PF J 50V NPO	9JR6500000130
C693	067T 3111003ET	EC SMD 10uF 16V VEJ 4x5.3mm	9JR6700000067
C696	067T 3052213CT	EC 220uF 16V KM 8x12mm	9JR6700000022
C697	065T060310131J Y	CAP CHIP 0603 100PF J 50V NPO	9JR6500000130
C698	067T 3052213CT	EC 220uF 16V KM 8x12mm	9JR6700000022
C700	065T040210412K Y	CAP CHIP 0402 100N 16V X7R +/-10%	9JR6500000014
C701	065T0805475A2K 3	CAP CHIP 4.7UF 10V X7R +/- 10%	9JR6500000092
C702	065T060310512K 3	MLCC 0603 CAP 1uF K 16V X7R	9JR6500000043
C703	065T0805475A2K 3	CAP CHIP 4.7UF 10V X7R +/- 10%	9JR6500000092
C704	065T060310512K 3	MLCC 0603 CAP 1uF K 16V X7R	9JR6500000043
C705	067T 3111097ET	EC SMD 1uF 50V VEJ 4x5.5mm	9JR6700000070
C706	065T040210412K Y	CAP CHIP 0402 100N 16V X7R +/-10%	9JR6500000014
C707	067T 3052213CT	EC 220uF 16V KM 8x12mm	9JR6700000022
C708	065T040210412K Y	CAP CHIP 0402 100N 16V X7R +/-10%	9JR6500000014
C709	065T040210312K Y	CAP CHIP 0402 10N 16V X7R +/-10%	9JR6500000011
C710	065T060310332K Y	CAP CHIP 0603 10NF K 50V X7R	9JR6500000031
C711	065T040210412K Y	CAP CHIP 0402 100N 16V X7R +/-10%	9JR6500000014
C712	065T060310332K Y	CAP CHIP 0603 10NF K 50V X7R	9JR6500000031
C713	065T040210312K Y	CAP CHIP 0402 10N 16V X7R +/-10%	9JR6500000011
C714	065T040210412K Y	CAP CHIP 0402 100N 16V X7R +/-10%	9JR6500000014
C715	065T040210412K Y	CAP CHIP 0402 100N 16V X7R +/-10%	9JR6500000014
C716	065T040210412K Y	CAP CHIP 0402 100N 16V X7R +/-10%	9JR6500000014
C717	065T040210412K Y	CAP CHIP 0402 100N 16V X7R +/-10%	9JR6500000014
C718	065T040210412K Y	CAP CHIP 0402 100N 16V X7R +/-10%	9JR6500000014
C719	065T040210312K Y	CAP CHIP 0402 10N 16V X7R +/-10%	9JR6500000011
C721	065T040210412K Y	CAP CHIP 0402 100N 16V X7R +/-10%	9JR6500000014
C722	065T040210412K Y	CAP CHIP 0402 100N 16V X7R +/-10%	9JR6500000014
C750	065T040210412K Y	CAP CHIP 0402 100N 16V X7R +/-10%	9JR6500000014
C751	065T060310412K Y	CAP CHIP 0603 0.1UF K 16V X7R	9JR6500000036
C752	067T 3114704ET	EC SMD 47U 25V VGA 6.3x5.7mm	9JR6700000074
C753	065T060310512K 3	MLCC 0603 CAP 1uF K 16V X7R	9JR6500000043
C754	065T0805475A2K 3	CAP CHIP 4.7UF 10V X7R +/- 10%	9JR6500000092
C755	065T040210412K Y	CAP CHIP 0402 100N 16V X7R +/-10%	9JR6500000014
C756	067T 3111013ET	EC 100uF 16V VEL 6.3x5.5mm	9JR6700000069
C757	065T060310512K 3	MLCC 0603 CAP 1uF K 16V X7R	9JR6500000043
C758	065T040210412K Y	CAP CHIP 0402 100N 16V X7R +/-10%	9JR6500000014
CN100	033T3802 12	WAFER PH-12	9JR3300000024
CN390	033T3802 4 X	CONNECTOR	9JR3300000020
CN391	033T3802 5	AUDIO IN	9JR3300000022
CN392	033T3802 3E FP	WAFER 2.0MM 3P 63043	9JR3300000006
CN400	088T 500902 P	PCMCIA CONN. CPC-BTRCVDB0-S02-H	9JR8800000027
CN500	088T 35521U ST	SCART CONN. 21P V/T 2SC1504-000111	9JR8800000026
CN501	088T 35521U ST	SCART CONN. 21P V/T 2SC1504-000111	9JR8800000026
CN552	088T 78 13A36 YG	RCA JACK 1*3 G/BL/R V/A RCA-346D-02	9JR8800000019
CN553	088T 78 13A35 YG	RCA JACK 1*3 W/R/B V/A RCA-346D-01	9JR8800000018
CN554	088T 35315F FX	D-SUB 15PIN FEMALE VERTICAL 附螺絲	9JR8800000025
CN555	088T 30252S	PHONE JACK 3.5mm 3P V/A GREEN	9JR8800000022
CN556	088T 78 13A37 YG	RCA JACK 1*2 W/R V/A RCA-276D-01	9JR8800000020
CN600	033T3802 2	WAFER EH-2	9JR3300000018
CN601	033T3802 3 FP	WAFER 2.0MM 3P 63383	9JR3300000002
CN602	088T 302912 S	PHONE JACK 3.5mm 7P BLACK 2SJ1508-001111	9JR8800000023
CN650	088T 78 13A39 YG	S JACK + RCA JACK 1*3 Y/W/R RCA-333S-010	9JR8800000021
CN700	088T 340 19TNS	HDMI HEADER 19P 5300-519-441-72	9JR8800000014
CN701	088T 340 19 SR	HDMI HEADER 19P 2HE-51U1-G11	9JR8800000012
CN702	088T 340 19TNS	HDMI HEADER 19P 5300-519-441-72	9JR8800000014
CN750	033T8033 40 FP	CON. V 2*20P M 1.25 SM 60949	9JR3300000014
D100	093T 60S906 T	DIODE 3A/40V SS3P4 DO-220AA	9JR9300000054

D101	093T 60S906 T	DIODE 3A/40V SS3P4 DO-220AA	9JR9300000054
D150	093T 6490452T	DIODE RGP15D DO-41	9JR9300000007
D390	093T 64S522SEM	DIODE LL4148 SEMTECH	9JR9300000055
D391	093T 64 33	BAV99 SOT-23	9JR9300000044
D392	093T 64 33	BAV99 SOT-23	9JR9300000044
D500	093T 64S900 T	DIODE BAS316 SOT-323 PHILIPS	9JR9300000030
D501	093T 64S900 T	DIODE BAS316 SOT-323 PHILIPS	9JR9300000030
D502	093T 64S900 T	DIODE BAS316 SOT-323 PHILIPS	9JR9300000030
D503	093T 64S900 T	DIODE BAS316 SOT-323 PHILIPS	9JR9300000030
D504	093T 64S900 T	DIODE BAS316 SOT-323 PHILIPS	9JR9300000030
D505	093T 64S900 T	DIODE BAS316 SOT-323 PHILIPS	9JR9300000030
D506	093T 64S900 T	DIODE BAS316 SOT-323 PHILIPS	9JR9300000030
D507	093T 64S900 T	DIODE BAS316 SOT-323 PHILIPS	9JR9300000030
D508	093T 64S900 T	DIODE BAS316 SOT-323 PHILIPS	9JR9300000030
D509	093T 64S900 T	DIODE BAS316 SOT-323 PHILIPS	9JR9300000030
D510	093T 64S900 T	DIODE BAS316 SOT-323 PHILIPS	9JR9300000030
D511	093T 64S900 T	DIODE BAS316 SOT-323 PHILIPS	9JR9300000030
D512	093T 64S900 T	DIODE BAS316 SOT-323 PHILIPS	9JR9300000030
D553	093T 64S900 T	DIODE BAS316 SOT-323 PHILIPS	9JR9300000030
D554	093T 64S900 T	DIODE BAS316 SOT-323 PHILIPS	9JR9300000030
D555	093T 64S900 T	DIODE BAS316 SOT-323 PHILIPS	9JR9300000030
D556	093T 64S900 T	DIODE BAS316 SOT-323 PHILIPS	9JR9300000030
D557	093T 64S900 T	DIODE BAS316 SOT-323 PHILIPS	9JR9300000030
D560	093T 64S900 T	DIODE BAS316 SOT-323 PHILIPS	9JR9300000030
D561	093T 64S900 T	DIODE BAS316 SOT-323 PHILIPS	9JR9300000030
D562	093T 64S900 T	DIODE BAS316 SOT-323 PHILIPS	9JR9300000030
D563	093T 64S900 T	DIODE BAS316 SOT-323 PHILIPS	9JR9300000030
D564	093T 64S522SEM	DIODE LL4148 SEMTECH	9JR9300000055
D565	093T 64S522SEM	DIODE LL4148 SEMTECH	9JR9300000055
D566	093T 64S900 T	DIODE BAS316 SOT-323 PHILIPS	9JR9300000030
D567	093T 64S900 T	DIODE BAS316 SOT-323 PHILIPS	9JR9300000030
D568	093T 64S900 T	DIODE BAS316 SOT-323 PHILIPS	9JR9300000030
D569	093T 64S900 T	DIODE BAS316 SOT-323 PHILIPS	9JR9300000030
D570	093T 64S900 T	DIODE BAS316 SOT-323 PHILIPS	9JR9300000030
D571	093T 64S900 T	DIODE BAS316 SOT-323 PHILIPS	9JR9300000030
D600	093T 64S522SEM	DIODE LL4148 SEMTECH	9JR9300000055
D601	093T 64S900 T	DIODE BAS316 SOT-323 PHILIPS	9JR9300000030
D602	093T 64S900 T	DIODE BAS316 SOT-323 PHILIPS	9JR9300000030
D603	093T 64S522SEM	DIODE LL4148 SEMTECH	9JR9300000055
D604	093T 64S522SEM	DIODE LL4148 SEMTECH	9JR9300000055
D605	093T 64S522SEM	DIODE LL4148 SEMTECH	9JR9300000055
D607	093T 64S522SEM	DIODE LL4148 SEMTECH	9JR9300000055
D650	093T 64S900 T	DIODE BAS316 SOT-323 PHILIPS	9JR9300000030
D651	093T 64S900 T	DIODE BAS316 SOT-323 PHILIPS	9JR9300000030
D652	093T 64S900 T	DIODE BAS316 SOT-323 PHILIPS	9JR9300000030
D653	093T 64S900 T	DIODE BAS316 SOT-323 PHILIPS	9JR9300000030
D654	093T 64S900 T	DIODE BAS316 SOT-323 PHILIPS	9JR9300000030
D655	093T 64S900 T	DIODE BAS316 SOT-323 PHILIPS	9JR9300000030
D656	093T 64S900 T	DIODE BAS316 SOT-323 PHILIPS	9JR9300000030
D657	093T 64S900 T	DIODE BAS316 SOT-323 PHILIPS	9JR9300000030
D658	093T 64S900 T	DIODE BAS316 SOT-323 PHILIPS	9JR9300000030
D659	093T 64S900 T	DIODE BAS316 SOT-323 PHILIPS	9JR9300000030
D660	093T 64S900 T	DIODE BAS316 SOT-323 PHILIPS	9JR9300000030
D661	093T 64S900 T	DIODE BAS316 SOT-323 PHILIPS	9JR9300000030
D700	093T 64S900 T	DIODE BAS316 SOT-323 PHILIPS	9JR9300000030
D701	093T 64S522SEM	DIODE LL4148 SEMTECH	9JR9300000055
D702	093T 64S522SEM	DIODE LL4148 SEMTECH	9JR9300000055
D703	093T 64S522SEM	DIODE LL4148 SEMTECH	9JR9300000055
D704	093T 64S900 T	DIODE BAS316 SOT-323 PHILIPS	9JR9300000030
D705	093T 64S522SEM	DIODE LL4148 SEMTECH	9JR9300000055
D706	093T 64S522SEM	DIODE LL4148 SEMTECH	9JR9300000055
D707	093T 64S900 T	DIODE BAS316 SOT-323 PHILIPS	9JR9300000030
D708	093T 64S522SEM	DIODE LL4148 SEMTECH	9JR9300000055
D709	093T 64S522SEM	DIODE LL4148 SEMTECH	9JR9300000055
FB100	071T 56A221 TA	CHIP BEAD 0805 220R/2000mA	9JR7100000009
FB101	071T 56A221 TA	CHIP BEAD 0805 220R/2000mA	9JR7100000009
FB150	071T 56A221 TA	CHIP BEAD 0805 220R/2000mA	9JR7100000009
FB200	071T 59D121 TA	CHIP BEAD 120R/600mA FCM1608KF-121T06	9JR7100000012
FB201	071T 56A221 TA	CHIP BEAD 0805 220R/2000mA	9JR7100000009
FB202	071T 59D121 TA	CHIP BEAD 120R/600mA FCM1608KF-121T06	9JR7100000012
FB203	071T 59D121 TA	CHIP BEAD 120R/600mA FCM1608KF-121T06	9JR7100000012
FB204	071T 59D121 TA	CHIP BEAD 120R/600mA FCM1608KF-121T06	9JR7100000012
FB230	071T 59C601 TA	CHIP BEAD 600R/200mA FCM1608K-601T02	9JR7100000011
FB231	071T 59C601 TA	CHIP BEAD 600R/200mA FCM1608K-601T02	9JR7100000011

LC-26SB25E/S/RU, LC-32SB25E/S/RU, LC-42SB55E/S/RU

FB232	071T 59C601 TA	CHIP BEAD 600R/200mA FCM1608K-601T02	9JR7100000011
FB233	071T 59C601 TA	CHIP BEAD 600R/200mA FCM1608K-601T02	9JR7100000011
FB234	071T 59C601 TA	CHIP BEAD 600R/200mA FCM1608K-601T02	9JR7100000011
FB300	071T 59D121 TA	CHIP BEAD 120R/600mA FCM1608KF-121T06	9JR7100000012
FB301	071T 59D121 TA	CHIP BEAD 120R/600mA FCM1608KF-121T06	9JR7100000012
FB302	071T 59D121 TA	CHIP BEAD 120R/600mA FCM1608KF-121T06	9JR7100000012
FB321	071T 59D121 TA	CHIP BEAD 120R/600mA FCM1608KF-121T06	9JR7100000012
FB322	071T 59D121 TA	CHIP BEAD 120R/600mA FCM1608KF-121T06	9JR7100000012
FB323	071T 59D121 TA	CHIP BEAD 120R/600mA FCM1608KF-121T06	9JR7100000012
FB390	071T 59C601 TA	CHIP BEAD 600R/200mA FCM1608K-601T02	9JR7100000011
FB400	071T 59D121 TA	CHIP BEAD 120R/600mA FCM1608KF-121T06	9JR7100000012
FB401	071T 59D121 TA	CHIP BEAD 120R/600mA FCM1608KF-121T06	9JR7100000012
FB402	071T 56B221 TA	CHIP BEAD 220R/400mA FCM2012CF-221T04	9JR7100000018
FB403	071T 56A221 TA	CHIP BEAD 0805 220R/2000mA	9JR7100000009
FB404	071T 56B221 TA	CHIP BEAD 220R/400mA FCM2012CF-221T04	9JR7100000018
FB566	071T 59C601 TA	CHIP BEAD 600R/200mA FCM1608K-601T02	9JR7100000011
FB567	071T 59C601 TA	CHIP BEAD 600R/200mA FCM1608K-601T02	9JR7100000011
FB600	071T 59D121 TA	CHIP BEAD 120R/600mA FCM1608KF-121T06	9JR7100000012
FB601	071T 59D121 TA	CHIP BEAD 120R/600mA FCM1608KF-121T06	9JR7100000012
FB602	071T 59D121 TA	CHIP BEAD 120R/600mA FCM1608KF-121T06	9JR7100000012
FB603	071T 59D121 TA	CHIP BEAD 120R/600mA FCM1608KF-121T06	9JR7100000012
FB604	071T 59D121 TA	CHIP BEAD 120R/600mA FCM1608KF-121T06	9JR7100000012
FB605	071T 55 19 T	FERRITE BEAD D9X3. 5X0.8	9JR7100000015
FB606	071T 59D121 TA	CHIP BEAD 120R/600mA FCM1608KF-121T06	9JR7100000012
FB607	071T 59D121 TA	CHIP BEAD 120R/600mA FCM1608KF-121T06	9JR7100000012
FB700	071T 59C601 TA	CHIP BEAD 600R/200mA FCM1608K-601T02	9JR7100000011
FB701	071T 59C601 TA	CHIP BEAD 600R/200mA FCM1608K-601T02	9JR7100000011
FB702	071T 59C601 TA	CHIP BEAD 600R/200mA FCM1608K-601T02	9JR7100000011
FB750	071T 59D121 TA	CHIP BEAD 120R/600mA FCM1608KF-121T06	9JR7100000012
FB751	071T 56D221 T	CHIP BEAD 220R/3000mA MPZ2012S221A	9JR7100000010
FB752	071T 56D221 T	CHIP BEAD 220R/3000mA MPZ2012S221A	9JR7100000010
FB753	071T 56D221 T	CHIP BEAD 220R/3000mA MPZ2012S221A	9JR7100000010
FB754	071T 59D121 TA	CHIP BEAD 120R/600mA FCM1608KF-121T06	9JR7100000012
L101	073T 253916 H	CHOKE COIL 15uH+/-10% 38mohm DR10*8	9JR7300000033
L102	073T 253916 H	CHOKE COIL 15uH+/-10% 38mohm DR10*8	9JR7300000033
L300	073T 63828 T	CHIP INDUCROR 0U82 10% MLF1608DR82K	9JR7300000007
L500	073T 63108 TA	CHIP INDUCTOR 0U10 10% FCI1608F-R10K	9JR7300000002
L501	073T 63108 TA	CHIP INDUCTOR 0U10 10% FCI1608F-R10K	9JR7300000002
L502	073T 63108 TA	CHIP INDUCTOR 0U10 10% FCI1608F-R10K	9JR7300000002
L503	073T 63108 TA	CHIP INDUCTOR 0U10 10% FCI1608F-R10K	9JR7300000002
L504	073T 63108 TA	CHIP INDUCTOR 0U10 10% FCI1608F-R10K	9JR7300000002
L505	073T 63108 TA	CHIP INDUCTOR 0U10 10% FCI1608F-R10K	9JR7300000002
L550	073T 63108 TA	CHIP INDUCTOR 0U10 10% FCI1608F-R10K	9JR7300000002
L551	073T 63108 TA	CHIP INDUCTOR 0U10 10% FCI1608F-R10K	9JR7300000002
L552	073T 63108 TA	CHIP INDUCTOR 0U10 10% FCI1608F-R10K	9JR7300000002
L554	073T 63108 TA	CHIP INDUCTOR 0U10 10% FCI1608F-R10K	9JR7300000002
L556	073T 63108 TA	CHIP INDUCTOR 0U10 10% FCI1608F-R10K	9JR7300000002
L558	073T 63108 TA	CHIP INDUCTOR 0U10 10% FCI1608F-R10K	9JR7300000002
L561	073T 63108 TA	CHIP INDUCTOR 0U10 10% FCI1608F-R10K	9JR7300000002
L562	073T 63108 TA	CHIP INDUCTOR 0U10 10% FCI1608F-R10K	9JR7300000002
L563	073T 63108 TA	CHIP INDUCTOR 0U10 10% FCI1608F-R10K	9JR7300000002
L564	073T 63108 TA	CHIP INDUCTOR 0U10 10% FCI1608F-R10K	9JR7300000002
L565	073T 63108 TA	CHIP INDUCTOR 0U10 10% FCI1608F-R10K	9JR7300000002
L600	073T 259902 T	CHOKE 33uH 10% TSL0808RA-330K1R4	9JR7300000024
L601	073T 259902 T	CHOKE 33uH 10% TSL0808RA-330K1R4	9JR7300000024
L650	073T 63108 TA	CHIP INDUCTOR 0U10 10% FCI1608F-R10K	9JR7300000002
L652	073T 63108 TA	CHIP INDUCTOR 0U10 10% FCI1608F-R10K	9JR7300000002
L653	073T 63108 TA	CHIP INDUCTOR 0U10 10% FCI1608F-R10K	9JR7300000002
L654	073T 63108 TA	CHIP INDUCTOR 0U10 10% FCI1608F-R10K	9JR7300000002
L655	073T 63108 TA	CHIP INDUCTOR 0U10 10% FCI1608F-R10K	9JR7300000002
L656	073T 63108 TA	CHIP INDUCTOR 0U10 10% FCI1608F-R10K	9JR7300000002
L657	073T 63108 TA	CHIP INDUCTOR 0U10 10% FCI1608F-R10K	9JR7300000002
L700	073T 63108 TA	CHIP INDUCTOR 0U10 10% FCI1608F-R10K	9JR7300000002
L701	073T 63108 TA	CHIP INDUCTOR 0U10 10% FCI1608F-R10K	9JR7300000002
Q100	057T 477900 T	TRA BC847C 100mA/50V SOT-23	9JR5700000010
Q101	057T 477900 T	TRA BC847C 100mA/50V SOT-23	9JR5700000010
Q103	057T 763900	FET SI3441BDV TSOP-6	9JR5700000020
Q104	057T 7631PH	SI5441DC 1206-8	9JR5700000019
Q106	057T 477900 T	TRA BC847C 100mA/50V SOT-23	9JR5700000010
Q108	057T 477900 T	TRA BC847C 100mA/50V SOT-23	9JR5700000010
Q109	057T 477900 T	TRA BC847C 100mA/50V SOT-23	9JR5700000010
Q150	057T 7631PH	SI5441DC 1206-8	9JR5700000019
Q151	057T 477900 T	TRA BC847C 100mA/50V SOT-23	9JR5700000010
Q200	057T 419911 T	TRA 2A/12V 2SD2653K SOT-346	9JR5700000028

Q201	057T 419911 T	TRA 2A/12V 2SD2653K SOT-346	9JR570000028
Q202	057T 419911 T	TRA 2A/12V 2SD2653K SOT-346	9JR570000028
Q203	057T 417512	TRA MMBT3906 BLUE ROKET	9JR570000026
Q301	057T 417511	TRA MMBT3904 BLUE ROKET	9JR570000025
Q400	057T 763 50	FET ME2301 -2.8A/-20V SOT-23	9JR570000036
Q401	057T 417 12 T	TRA 2N3904S-RTK/PS SOT-23 KEC	9JR570000024
Q500	057T 419911 T	TRA 2A/12V 2SD2653K SOT-346	9JR570000028
Q550	057T 477900 T	TRA BC847C 100mA/50V SOT-23	9JR570000010
Q600	057T 477904 T	TRA BC847BW 100mA/45V SOT-323	9JR570000012
Q601	057T 477900 T	TRA BC847C 100mA/50V SOT-23	9JR570000010
Q606	057T 761902 T	TRA BC857BW 100mA/50V SOT-323	9JR570000018
Q607	057T 477900 T	TRA BC847C 100mA/50V SOT-23	9JR570000010
Q608	057T 419911 T	TRA 2A/12V 2SD2653K SOT-346	9JR570000028
Q609	057T 419911 T	TRA 2A/12V 2SD2653K SOT-346	9JR570000028
Q610	057T 419911 T	TRA 2A/12V 2SD2653K SOT-346	9JR570000028
Q611	057T 417512	TRA MMBT3906 BLUE ROKET	9JR570000026
Q612	057T 417512	TRA MMBT3906 BLUE ROKET	9JR570000026
Q613	057T 417512	TRA MMBT3906 BLUE ROKET	9JR570000026
Q614	057T 417512	TRA MMBT3906 BLUE ROKET	9JR570000026
Q615	057T 761902 T	TRA BC857BW 100mA/50V SOT-323	9JR570000018
Q616	057T 419911 T	TRA 2A/12V 2SD2653K SOT-346	9JR570000028
Q700	057T 477900 T	TRA BC847C 100mA/50V SOT-23	9JR570000010
Q701	057T 763910	FET 2SK1828 TO-236MOD	9JR570000022
Q702	057T 477900 T	TRA BC847C 100mA/50V SOT-23	9JR570000010
Q703	057T 477900 T	TRA BC847C 100mA/50V SOT-23	9JR570000010
Q704	057T 477900 T	TRA BC847C 100mA/50V SOT-23	9JR570000010
Q705	057T 477900 T	TRA BC847C 100mA/50V SOT-23	9JR570000010
Q706	057T 477900 T	TRA BC847C 100mA/50V SOT-23	9JR570000010
Q707	057T 763910	FET 2SK1828 TO-236MOD	9JR570000022
Q750	057T 417511	TRA MMBT3904 BLUE ROKET	9JR570000025
Q751	057T 417511	TRA MMBT3904 BLUE ROKET	9JR570000025
R100	061T0603223 Y	RST CHIPR 22KOHM +-5% 1/10W YAGEO	9JR610000095
R101	061T0603223 Y	RST CHIPR 22KOHM +-5% 1/10W YAGEO	9JR610000095
R102	061T0603512 Y	RST CHIPR 5.1KOHM +-5% 1/10W YAGEO	9JR610000119
R103	061T0603223 Y	RST CHIPR 22KOHM +-5% 1/10W YAGEO	9JR610000095
R104	061T0603392 Y	RST CHIPR 3.9KOHM +-5% 1/10W YAGEO	9JR610000104
R106	061T0603392 Y	RST CHIPR 3.9KOHM +-5% 1/10W YAGEO	9JR610000104
R107	061T0603102 Y	RST CHIPR 1KOHM +-5% 1/10W YAGEO	9JR610000070
R111	061T0805000 Y	RST CHIP MAX 0R05 1/8W YAGEO	9JR610000123
R113	061T0402101 Y	RST CHIP 100R 1/16W 5%	9JR610000040
R114	061T0603472 Y	RST CHIPR 4.7KOHM +-5% 1/10W YAGEO	9JR610000113
R115	061T06032201FY	RST CHIPR 2.2KOHM +-1% 1/10W YAGEO	9JR610000237
R117	061T06031201FY	RST CHIPR 1.2KOHM +-1% 1/10W YAGEO	9JR610000220
R119	061T0603223 Y	RST CHIPR 22KOHM +-5% 1/10W YAGEO	9JR610000095
R122	061T06031201FY	RST CHIPR 1.2KOHM +-1% 1/10W YAGEO	9JR610000220
R123	061T06031101FY	RST CHIPR 1.1KOHM +-1% 1/10W YAGEO	9JR610000217
R124	061T06032400FY	RST CHIPR 240 OHM +-1% 1/10W YAGEO	9JR610000240
R125	061T0402000 Y	RST CHIP MAX 0R05 1/16W YAGEO	9JR610000037
R126	061T0402102 Y	RST CHIP 1K 1/16W 5%	9JR610000041
R127	061T0603103 Y	RST CHIPR 10KOHM +-5% 1/10W YAGEO	9JR610000072
R128	061T0603103 Y	RST CHIPR 10KOHM +-5% 1/10W YAGEO	9JR610000072
R130	061T0603512 Y	RST CHIPR 5.1KOHM +-5% 1/10W YAGEO	9JR610000119
R135	061T0603473 Y	RST CHIPR 47KOHM +-5% 1/10W YAGEO	9JR610000114
R136	061T0603473 Y	RST CHIPR 47KOHM +-5% 1/10W YAGEO	9JR610000114
R138	061T0603000 Y	RST CHIP MAX 0R05 1/10W YAGEO	9JR610000060
R141	061T0603000 Y	RST CHIP MAX 0R05 1/10W YAGEO	9JR610000060
R144	061T0402102 Y	RST CHIP 1K 1/16W 5%	9JR610000041
R149	061T1206000 Y	RST CHIP MAX 0R05 1/4W YAGEO	9JR610000158
R150	061T1206000 Y	RST CHIP MAX 0R05 1/4W YAGEO	9JR610000158
R151	061T06031200FY	RST CHIPR 120 OHM +-1% 1/10W YAGEO	9JR610000079
R152	061T06031200FY	RST CHIPR 120 OHM +-1% 1/10W YAGEO	9JR610000079
R155	061T0805000 Y	RST CHIP MAX 0R05 1/8W YAGEO	9JR610000123
R157	061T0603222 Y	RST CHIPR 2.2KOHM +-5% 1/10W YAGEO	9JR610000091
R158	061T0603102 Y	RST CHIPR 1KOHM +-5% 1/10W YAGEO	9JR610000070
R159	061T0603103 Y	RST CHIPR 10KOHM +-5% 1/10W YAGEO	9JR610000072
R162	061T06031200FY	RST CHIPR 120 OHM +-1% 1/10W YAGEO	9JR610000079
R163	061T0603109 Y	RST CHIPR 1 OHM +-5% 1/10W YAGEO	9JR610000077
R164	061T0603102 Y	RST CHIPR 1KOHM +-5% 1/10W YAGEO	9JR610000070
R165	061T06031200FY	RST CHIPR 120 OHM +-1% 1/10W YAGEO	9JR610000079
R167	061T0603109 Y	RST CHIPR 1 OHM +-5% 1/10W YAGEO	9JR610000077
R200	061T0603000 Y	RST CHIP MAX 0R05 1/10W YAGEO	9JR610000060
R201	061T0603000 Y	RST CHIP MAX 0R05 1/10W YAGEO	9JR610000060
R202	061T0603472 Y	RST CHIPR 4.7KOHM +-5% 1/10W YAGEO	9JR610000113
R204	061T0603000 Y	RST CHIP MAX 0R05 1/10W YAGEO	9JR610000060

LC-26SB25E/S/RU, LC-32SB25E/S/RU, LC-42SB55E/S/RU

R207	061T0603472 Y	RST CHIPR 4.7KOHM +-5% 1/10W YAGEO	9JR6100000113
R208	061T0603000 Y	RST CHIP MAX 0R05 1/10W YAGEO	9JR6100000060
R209	061T0603472 Y	RST CHIPR 4.7KOHM +-5% 1/10W YAGEO	9JR6100000113
R210	061T0603103 Y	RST CHIPR 10KOHM +-5% 1/10W YAGEO	9JR6100000072
R211	061T0603100 Y	RST CHIPR 10 OHM +-5% 1/10W YAGEO	9JR6100000214
R212	061T0603103 Y	RST CHIPR 10KOHM +-5% 1/10W YAGEO	9JR6100000072
R213	061T06037509FY	RST CHIPR 75 OHM +-1% 1/10W YAGEO	9JR6100000121
R214	061T0603100 Y	RST CHIPR 10 OHM +-5% 1/10W YAGEO	9JR6100000214
R215	061T0402101 Y	RST CHIP 100R 1/16W 5%	9JR6100000040
R216	061T0603750 Y	RST CHIPR 75 OHM +-5% 1/10W YAGEO	9JR6100000253
R227	061T0603000 Y	RST CHIP MAX 0R05 1/10W YAGEO	9JR6100000060
R228	061T0603000 Y	RST CHIP MAX 0R05 1/10W YAGEO	9JR6100000060
R229	061T06031500FY	RST CHIPR 150 OHM +-1% 1/10W YAGEO	9JR6100000223
R230	061T0603000 Y	RST CHIP MAX 0R05 1/10W YAGEO	9JR6100000060
R231	061T0603105 Y	RST CHIPR 1MOHM +-5% 1/10W YAGEO	9JR6100000076
R232	061T0603000 Y	RST CHIP MAX 0R05 1/10W YAGEO	9JR6100000060
R233	061T0603101 Y	RST CHIPR 100 OHM +-5% 1/10W YAGEO	9JR6100000066
R234	061T0603000 Y	RST CHIP MAX 0R05 1/10W YAGEO	9JR6100000060
R235	061T0603000 Y	RST CHIP MAX 0R05 1/10W YAGEO	9JR6100000060
R236	061T06031600FY	RST CHIPR 160 OHM +-1% 1/10W YAGEO	9JR6100000226
R237	061T06032200FY	RST CHIPR 220 OHM +-1% 1/10W YAGEO	9JR6100000235
R238	061T0603102 Y	RST CHIPR 1KOHM +-5% 1/10W YAGEO	9JR6100000070
R239	061T0603000 Y	RST CHIP MAX 0R05 1/10W YAGEO	9JR6100000060
R241	061T0603102 Y	RST CHIPR 1KOHM +-5% 1/10W YAGEO	9JR6100000070
R242	061T0603102 Y	RST CHIPR 1KOHM +-5% 1/10W YAGEO	9JR6100000070
R244	061T0603100 Y	RST CHIPR 10 OHM +-5% 1/10W YAGEO	9JR6100000214
R245	061T0603000 Y	RST CHIP MAX 0R05 1/10W YAGEO	9JR6100000060
R251	061T0402472 Y	RST CHIP 4K7 1/16W 5%	9JR6100000054
R253	061T0402472 Y	RST CHIP 4K7 1/16W 5%	9JR6100000054
R254	061T0402472 Y	RST CHIP 4K7 1/16W 5%	9JR6100000054
R258	061T0402472 Y	RST CHIP 4K7 1/16W 5%	9JR6100000054
R259	061T0402472 Y	RST CHIP 4K7 1/16W 5%	9JR6100000054
R265	061T0603472 Y	RST CHIPR 4.7KOHM +-5% 1/10W YAGEO	9JR6100000113
R268	061T0603472 Y	RST CHIPR 4.7KOHM +-5% 1/10W YAGEO	9JR6100000113
R300	061T06031001FY	RST CHIPR 1KOHM +-1% 1/10W YAGEO	9JR6100000064
R301	061T0402103 Y	RST CHIP 10K 1/16W 5%	9JR6100000043
R302	061T0402103 Y	RST CHIP 10K 1/16W 5%	9JR6100000043
R303	061T0402330 Y	RST CHIP 33R 1/16W 5%	9JR6100000051
R304	061T0402103 Y	RST CHIP 10K 1/16W 5%	9JR6100000043
R306	061T0402103 Y	RST CHIP 10K 1/16W 5%	9JR6100000043
R307	061T0402103 Y	RST CHIP 10K 1/16W 5%	9JR6100000043
R314	061T06033901FY	RST CHIPR 3.9KOHM +-1% 1/10W YAGEO	9JR6100000103
R315	061T0402103 Y	RST CHIP 10K 1/16W 5%	9JR6100000043
R316	061T0402102 Y	RST CHIP 1K 1/16W 5%	9JR6100000041
R317	061T0603109 Y	RST CHIPR 1 OHM +-5% 1/10W YAGEO	9JR6100000077
R319	061T0402101 Y	RST CHIP 100R 1/16W 5%	9JR6100000040
R320	061T0402101 Y	RST CHIP 100R 1/16W 5%	9JR6100000040
R322	061T0603000 Y	RST CHIP MAX 0R05 1/10W YAGEO	9JR6100000060
R325	061T0402472 Y	RST CHIP 4K7 1/16W 5%	9JR6100000054
R326	061T0402472 Y	RST CHIP 4K7 1/16W 5%	9JR6100000054
R331	061T0402512 Y	RST CHIP 5K1 1/16W 5%	9JR6100000056
R336	061T0603000 Y	RST CHIP MAX 0R05 1/10W YAGEO	9JR6100000060
R341	061T0402000 Y	RST CHIP MAX 0R05 1/16W YAGEO	9JR6100000037
R350	061T0603330 Y	RST CHIPR 33 OHM +-5% 1/10W YAGEO	9JR6100000100
R351	061T0603510 Y	RST CHIPR 51 OHM +-5% 1/10W YAGEO	9JR6100000116
R352	061T0603330 Y	RST CHIPR 33 OHM +-5% 1/10W YAGEO	9JR6100000100
R353	061T0603510 Y	RST CHIPR 51 OHM +-5% 1/10W YAGEO	9JR6100000116
R354	061T0603510 Y	RST CHIPR 51 OHM +-5% 1/10W YAGEO	9JR6100000116
R355	061T0603510 Y	RST CHIPR 51 OHM +-5% 1/10W YAGEO	9JR6100000116
R357	061T0603510 Y	RST CHIPR 51 OHM +-5% 1/10W YAGEO	9JR6100000116
R358	061T0603101 Y	RST CHIPR 100 OHM +-5% 1/10W YAGEO	9JR6100000066
R359	061T0603101 Y	RST CHIPR 100 OHM +-5% 1/10W YAGEO	9JR6100000066
R360	061T0603000 Y	RST CHIP MAX 0R05 1/10W YAGEO	9JR6100000060
R361	061T0603000 Y	RST CHIP MAX 0R05 1/10W YAGEO	9JR6100000060
R362	061T0603000 Y	RST CHIP MAX 0R05 1/10W YAGEO	9JR6100000060
R363	061T0603000 Y	RST CHIP MAX 0R05 1/10W YAGEO	9JR6100000060
R365	061T0603472 Y	RST CHIPR 4.7KOHM +-5% 1/10W YAGEO	9JR6100000113
R366	061T0603000 Y	RST CHIP MAX 0R05 1/10W YAGEO	9JR6100000060
R367	061T0603101 Y	RST CHIPR 100 OHM +-5% 1/10W YAGEO	9JR6100000066
R370	061T0603101 Y	RST CHIPR 100 OHM +-5% 1/10W YAGEO	9JR6100000066
R372	061T0603101 Y	RST CHIPR 100 OHM +-5% 1/10W YAGEO	9JR6100000066
R374	061T0603471 Y	RST CHIPR 470 OHM +-5% 1/10W YAGEO	9JR6100000111
R375	061T0603101 Y	RST CHIPR 100 OHM +-5% 1/10W YAGEO	9JR6100000066
R384	061T06033901FY	RST CHIPR 3.9KOHM +-1% 1/10W YAGEO	9JR6100000103

R385	061T0603472 Y	RST CHIPR 4.7KOHM +-5% 1/10W YAGEO	9JR6100000113
R386	061T0603100FY	RST CHIPR 100 OHM +-1% 1/10W YAGEO	9JR6100000062
R388	061T0603472 Y	RST CHIPR 4.7KOHM +-5% 1/10W YAGEO	9JR6100000113
R389	061T0603100FY	RST CHIPR 100 OHM +-1% 1/10W YAGEO	9JR6100000062
R393	061T0603103 Y	RST CHIPR 10KOHM +-5% 1/10W YAGEO	9JR6100000072
R394	061T0603000 Y	RST CHIP MAX 0R05 1/10W YAGEO	9JR6100000060
R395	061T0603101 Y	RST CHIPR 100 OHM +-5% 1/10W YAGEO	9JR6100000066
R396	061T0603472 Y	RST CHIPR 4.7KOHM +-5% 1/10W YAGEO	9JR6100000113
R397	061T0603000 Y	RST CHIP MAX 0R05 1/10W YAGEO	9JR6100000060
R398	061T0603103 Y	RST CHIPR 10KOHM +-5% 1/10W YAGEO	9JR6100000072
R399	061T0603000 Y	RST CHIP MAX 0R05 1/10W YAGEO	9JR6100000060
R400	061T0603105 Y	RST CHIPR 1MOHM +-5% 1/10W YAGEO	9JR6100000076
R401	061T0603103 Y	RST CHIPR 10KOHM +-5% 1/10W YAGEO	9JR6100000072
R403	061T0603103 Y	RST CHIPR 10KOHM +-5% 1/10W YAGEO	9JR6100000072
R404	061T0603103 Y	RST CHIPR 10KOHM +-5% 1/10W YAGEO	9JR6100000072
R405	061T0603103 Y	RST CHIPR 10KOHM +-5% 1/10W YAGEO	9JR6100000072
R406	061T0603103 Y	RST CHIPR 10KOHM +-5% 1/10W YAGEO	9JR6100000072
R407	061T0603103 Y	RST CHIPR 10KOHM +-5% 1/10W YAGEO	9JR6100000072
R408	061T0603103 Y	RST CHIPR 10KOHM +-5% 1/10W YAGEO	9JR6100000072
R410	061T0603000 Y	RST CHIP MAX 0R05 1/10W YAGEO	9JR6100000060
R411	061T0603330 Y	RST CHIPR 33 OHM +-5% 1/10W YAGEO	9JR6100000100
R412	061T0603330 Y	RST CHIPR 33 OHM +-5% 1/10W YAGEO	9JR6100000100
R413	061T0603330 Y	RST CHIPR 33 OHM +-5% 1/10W YAGEO	9JR6100000100
R414	061T0603330 Y	RST CHIPR 33 OHM +-5% 1/10W YAGEO	9JR6100000100
R415	061T0603101 Y	RST CHIPR 100 OHM +-5% 1/10W YAGEO	9JR6100000066
R417	061T0603101 Y	RST CHIPR 100 OHM +-5% 1/10W YAGEO	9JR6100000066
R419	061T0603472 Y	RST CHIPR 4.7KOHM +-5% 1/10W YAGEO	9JR6100000113
R421	061T0603472 Y	RST CHIPR 4.7KOHM +-5% 1/10W YAGEO	9JR6100000113
R424	061T0603473 Y	RST CHIPR 47KOHM +-5% 1/10W YAGEO	9JR6100000114
R425	061T0603103 Y	RST CHIPR 10KOHM +-5% 1/10W YAGEO	9JR6100000072
R426	061T0603103 Y	RST CHIPR 10KOHM +-5% 1/10W YAGEO	9JR6100000072
R427	061T0603103 Y	RST CHIPR 10KOHM +-5% 1/10W YAGEO	9JR6100000072
R432	061T0603000 Y	RST CHIP MAX 0R05 1/10W YAGEO	9JR6100000060
R433	061T0603101 Y	RST CHIPR 100 OHM +-5% 1/10W YAGEO	9JR6100000066
R434	061T0603101 Y	RST CHIPR 100 OHM +-5% 1/10W YAGEO	9JR6100000066
R435	061T0603472 Y	RST CHIPR 4.7KOHM +-5% 1/10W YAGEO	9JR6100000113
R436	061T0603472 Y	RST CHIPR 4.7KOHM +-5% 1/10W YAGEO	9JR6100000113
R437	061T0603101 Y	RST CHIPR 100 OHM +-5% 1/10W YAGEO	9JR6100000066
R438	061T0603101 Y	RST CHIPR 100 OHM +-5% 1/10W YAGEO	9JR6100000066
R439	061T0603101 Y	RST CHIPR 100 OHM +-5% 1/10W YAGEO	9JR6100000066
R500	061T0603750 Y	RST CHIPR 75 OHM +-5% 1/10W YAGEO	9JR6100000253
R501	061T0603750 Y	RST CHIPR 75 OHM +-5% 1/10W YAGEO	9JR6100000253
R502	061T0603750 Y	RST CHIPR 75 OHM +-5% 1/10W YAGEO	9JR6100000253
R504	061T0603103 Y	RST CHIPR 10KOHM +-5% 1/10W YAGEO	9JR6100000072
R505	061T0603333 Y	RST CHIPR 33KOHM +-5% 1/10W YAGEO	9JR6100000243
R506	061T0603333 Y	RST CHIPR 33KOHM +-5% 1/10W YAGEO	9JR6100000243
R507	061T0603333 Y	RST CHIPR 33KOHM +-5% 1/10W YAGEO	9JR6100000243
R508	061T0603000 Y	RST CHIP MAX 0R05 1/10W YAGEO	9JR6100000060
R509	061T0603000 Y	RST CHIP MAX 0R05 1/10W YAGEO	9JR6100000060
R511	061T0603103 Y	RST CHIPR 10KOHM +-5% 1/10W YAGEO	9JR6100000072
R512	061T0603103 Y	RST CHIPR 10KOHM +-5% 1/10W YAGEO	9JR6100000072
R513	061T0402680 Y	RST CHIP 68R 1/16W 5%	9JR6100000061
R514	061T0402101 Y	RST CHIP 100R 1/16W 5%	9JR6100000040
R515	061T0402101 Y	RST CHIP 100R 1/16W 5%	9JR6100000040
R516	061T0402750 Y	RST CHIP 75R 1/16W 5%	9JR6100000058
R517	061T0402750 Y	RST CHIP 75R 1/16W 5%	9JR6100000058
R518	061T0402101 Y	RST CHIP 100R 1/16W 5%	9JR6100000040
R519	061T0402750 Y	RST CHIP 75R 1/16W 5%	9JR6100000058
R520	061T0402680 Y	RST CHIP 68R 1/16W 5%	9JR6100000061
R521	061T0402000 Y	RST CHIP MAX 0R05 1/16W YAGEO	9JR6100000037
R522	061T0402680 Y	RST CHIP 68R 1/16W 5%	9JR6100000061
R523	061T0402203 Y	RST CHIP 20K 1/16W 5%	9JR6100000046
R524	061T0402000 Y	RST CHIP MAX 0R05 1/16W YAGEO	9JR6100000037
R525	061T0402203 Y	RST CHIP 20K 1/16W 5%	9JR6100000046
R526	061T0402203 Y	RST CHIP 20K 1/16W 5%	9JR6100000046
R527	061T0402203 Y	RST CHIP 20K 1/16W 5%	9JR6100000046
R528	061T0402750 Y	RST CHIP 75R 1/16W 5%	9JR6100000058
R529	061T0402270 Y	RST CHIP 27R 1/16W 5%	9JR6100000048
R530	061T0402470 Y	RST CHIP 47R 1/16W 5%	9JR6100000053
R531	061T0402000 Y	RST CHIP MAX 0R05 1/16W YAGEO	9JR6100000037
R532	061T0402101 Y	RST CHIP 100R 1/16W 5%	9JR6100000040
R533	061T0402101 Y	RST CHIP 100R 1/16W 5%	9JR6100000040
R534	061T0402270 Y	RST CHIP 27R 1/16W 5%	9JR6100000048
R535	061T0402470 Y	RST CHIP 47R 1/16W 5%	9JR6100000053

LC-26SB25E/S/RU, LC-32SB25E/S/RU, LC-42SB55E/S/RU

R536	061T0402000	Y	RST CHIP MAX 0R05 1/16W YAGEO	9JR610000037
R537	061T0402101	Y	RST CHIP 100R 1/16W 5%	9JR610000040
R550	061T0402000	Y	RST CHIP MAX 0R05 1/16W YAGEO	9JR610000037
R551	061T0402000	Y	RST CHIP MAX 0R05 1/16W YAGEO	9JR610000037
R552	061T0603103	Y	RST CHIPR 10KOHM +-5% 1/10W YAGEO	9JR610000072
R553	061T0402680	Y	RST CHIP 68R 1/16W 5%	9JR610000061
R554	061T0603103	Y	RST CHIPR 10KOHM +-5% 1/10W YAGEO	9JR610000072
R555	061T0603101	Y	RST CHIPR 100 OHM +-5% 1/10W YAGEO	9JR610000066
R556	061T0402750	Y	RST CHIP 75R 1/16W 5%	9JR610000058
R557	061T0402101	Y	RST CHIP 100R 1/16W 5%	9JR610000040
R558	061T0603103	Y	RST CHIPR 10KOHM +-5% 1/10W YAGEO	9JR610000072
R559	061T0402680	Y	RST CHIP 68R 1/16W 5%	9JR610000061
R561	061T0402750	Y	RST CHIP 75R 1/16W 5%	9JR610000058
R563	061T0402101	Y	RST CHIP 100R 1/16W 5%	9JR610000040
R565	061T0402750	Y	RST CHIP 75R 1/16W 5%	9JR610000058
R567	061T0402680	Y	RST CHIP 68R 1/16W 5%	9JR610000061
R568	061T0402203	Y	RST CHIP 20K 1/16W 5%	9JR610000046
R570	061T0402000	Y	RST CHIP MAX 0R05 1/16W YAGEO	9JR610000037
R572	061T0402203	Y	RST CHIP 20K 1/16W 5%	9JR610000046
R575	061T0402000	Y	RST CHIP MAX 0R05 1/16W YAGEO	9JR610000037
R576	061T0603000	Y	RST CHIP MAX 0R05 1/10W YAGEO	9JR610000060
R577	061T0603000	Y	RST CHIP MAX 0R05 1/10W YAGEO	9JR610000060
R578	061T0603203	Y	RST CHIPR 20KOHM +-5% 1/10W YAGEO	9JR610000234
R579	061T0402750	Y	RST CHIP 75R 1/16W 5%	9JR610000058
R580	061T0402680	Y	RST CHIP 68R 1/16W 5%	9JR610000061
R581	061T0402750	Y	RST CHIP 75R 1/16W 5%	9JR610000058
R582	061T0402000	Y	RST CHIP MAX 0R05 1/16W YAGEO	9JR610000037
R583	061T0402680	Y	RST CHIP 68R 1/16W 5%	9JR610000061
R584	061T0402750	Y	RST CHIP 75R 1/16W 5%	9JR610000058
R585	061T0402101	Y	RST CHIP 100R 1/16W 5%	9JR610000040
R586	061T0603203	Y	RST CHIPR 20KOHM +-5% 1/10W YAGEO	9JR610000234
R587	061T0402680	Y	RST CHIP 68R 1/16W 5%	9JR610000061
R588	061T0402101	Y	RST CHIP 100R 1/16W 5%	9JR610000040
R589	061T0603103	Y	RST CHIPR 10KOHM +-5% 1/10W YAGEO	9JR610000072
R590	061T0603101	Y	RST CHIPR 100 OHM +-5% 1/10W YAGEO	9JR610000066
R591	061T0603101	Y	RST CHIPR 100 OHM +-5% 1/10W YAGEO	9JR610000066
R592	061T0402101	Y	RST CHIP 100R 1/16W 5%	9JR610000040
R593	061T0402202	Y	RST CHIP 2K +-5% 1/16W	9JR610000045
R594	061T0402000	Y	RST CHIP MAX 0R05 1/16W YAGEO	9JR610000037
R595	061T0402202	Y	RST CHIP 2K +-5% 1/16W	9JR610000045
R596	061T0402000	Y	RST CHIP MAX 0R05 1/16W YAGEO	9JR610000037
R597	061T0402000	Y	RST CHIP MAX 0R05 1/16W YAGEO	9JR610000037
R598	061T0402000	Y	RST CHIP MAX 0R05 1/16W YAGEO	9JR610000037
R600	061T0402000	Y	RST CHIP MAX 0R05 1/16W YAGEO	9JR610000037
R601	061T0603472	Y	RST CHIPR 4.7KOHM +-5% 1/10W YAGEO	9JR610000113
R602	061T0603102	Y	RST CHIPR 1KOHM +-5% 1/10W YAGEO	9JR610000070
R603	061T0603200	Y	RST CHIPR 20 OHM +-5% 1/10W YAGEO	9JR610000231
R604	061T0603200	Y	RST CHIPR 20 OHM +-5% 1/10W YAGEO	9JR610000231
R606	061T0603472	Y	RST CHIPR 4.7KOHM +-5% 1/10W YAGEO	9JR610000113
R607	061T0402103	Y	RST CHIP 10K 1/16W 5%	9JR610000043
R608	061T0402223	Y	RST CHIP 22K 1/16W 5%	9JR610000199
R609	061T0603104	Y	RST CHIPR 100KOHM +-5% 1/10W YAGEO	9JR610000074
R610	061T0603472	Y	RST CHIPR 4.7KOHM +-5% 1/10W YAGEO	9JR610000113
R611	061T0603273	Y	RST CHIPR 27KOHM +-5% 1/10W YAGEO	9JR610000241
R612	061T0402223	Y	RST CHIP 22K 1/16W 5%	9JR610000199
R613	061T0603273	Y	RST CHIPR 27KOHM +-5% 1/10W YAGEO	9JR610000241
R615	061T0603203	Y	RST CHIPR 20KOHM +-5% 1/10W YAGEO	9JR610000234
R616	061T0402472	Y	RST CHIP 4K7 1/16W 5%	9JR610000054
R617	061T0402104	Y	RST CHIP 100K 1/16W 5%	9JR610000044
R618	061T0402000	Y	RST CHIP MAX 0R05 1/16W YAGEO	9JR610000037
R619	061T0402101	Y	RST CHIP 100R 1/16W 5%	9JR610000040
R620	061T0402472	Y	RST CHIP 4K7 1/16W 5%	9JR610000054
R621	061T0402101	Y	RST CHIP 100R 1/16W 5%	9JR610000040
R622	061T0402104	Y	RST CHIP 100K 1/16W 5%	9JR610000044
R623	061T0603472	Y	RST CHIPR 4.7KOHM +-5% 1/10W YAGEO	9JR610000113
R624	061T0603103	Y	RST CHIPR 10KOHM +-5% 1/10W YAGEO	9JR610000072
R625	061T0805100	Y	RST CHIPR 10 OHM +-5% 1/8W YAGEO	9JR610000256
R626	061T06031302FY		RST CHIPR 13KOHM +-1% 1/10W YAGEO	9JR610000221
R627	061T0402223	Y	RST CHIP 22K 1/16W 5%	9JR610000199
R628	061T06031302FY		RST CHIPR 13KOHM +-1% 1/10W YAGEO	9JR610000221
R629	061T1206220	Y	RST CHIPR 22 OHM +-5% 1/4W YAGEO	9JR610000165
R631	061T0603203	Y	RST CHIPR 20KOHM +-5% 1/10W YAGEO	9JR610000234
R632	061T1206100	Y	RST CHIPR 10 OHM +-5% 1/4W YAGEO	9JR610000160
R633	061T0402101	Y	RST CHIP 100R 1/16W 5%	9JR610000040

R634	061T0402223 Y	RST CHIP 22K 1/16W 5%	9JR6100000199
R635	061T0402393 Y	RST CHIP 39K 1/16W 5%	9JR6100000052
R636	061T0603473 Y	RST CHIPR 47KOHM +-5% 1/10W YAGEO	9JR6100000114
R637	061T1206100 Y	RST CHIPR 10 OHM +-5% 1/4W YAGEO	9JR6100000160
R638	061T1206220 Y	RST CHIPR 22 OHM +-5% 1/4W YAGEO	9JR6100000165
R639	061T06031302FY	RST CHIPR 13KOHM +-1% 1/10W YAGEO	9JR6100000221
R640	061T0402223 Y	RST CHIP 22K 1/16W 5%	9JR6100000199
R641	061T06031302FY	RST CHIPR 13KOHM +-1% 1/10W YAGEO	9JR6100000221
R642	061T0603000 Y	RST CHIP MAX 0R05 1/10W YAGEO	9JR6100000060
R643	061T0603000 Y	RST CHIP MAX 0R05 1/10W YAGEO	9JR6100000060
R644	061T0603472 Y	RST CHIPR 4.7KOHM +-5% 1/10W YAGEO	9JR6100000113
R645	061T0603000 Y	RST CHIP MAX 0R05 1/10W YAGEO	9JR6100000060
R646	061T0603000 Y	RST CHIP MAX 0R05 1/10W YAGEO	9JR6100000060
R647	061T0603101 Y	RST CHIPR 100 OHM +-5% 1/10W YAGEO	9JR6100000066
R648	061T0603473 Y	RST CHIPR 47KOHM +-5% 1/10W YAGEO	9JR6100000114
R649	061T0402202 Y	RST CHIP 2K +-5% 1/16W	9JR6100000045
R650	061T0402512 Y	RST CHIP 5K1 1/16W 5%	9JR6100000056
R651	061T06031800FY	RST CHIPR 180 OHM +-1% 1/10W YAGEO	9JR6100000227
R652	061T06032202FY	RST CHIPR 22KOHM +-1% 1/10W YAGEO	9JR6100000089
R653	061T0402473 Y	RST CHIP 47K 1/16W 5%	9JR6100000055
R654	061T0603103 Y	RST CHIPR 10KOHM +-5% 1/10W YAGEO	9JR6100000072
R655	061T0603333 Y	RST CHIPR 33KOHM +-5% 1/10W YAGEO	9JR6100000243
R656	061T0402101 Y	RST CHIP 100R 1/16W 5%	9JR6100000040
R657	061T0402470 Y	RST CHIP 47R 1/16W 5%	9JR6100000053
R659	061T0603472 Y	RST CHIPR 4.7KOHM +-5% 1/10W YAGEO	9JR6100000113
R660	061T0603203 Y	RST CHIPR 20KOHM +-5% 1/10W YAGEO	9JR6100000234
R661	061T0402270 Y	RST CHIP 27R 1/16W 5%	9JR6100000048
R662	061T0603000 Y	RST CHIP MAX 0R05 1/10W YAGEO	9JR6100000060
R663	061T0603203 Y	RST CHIPR 20KOHM +-5% 1/10W YAGEO	9JR6100000234
R664	061T0402270 Y	RST CHIP 27R 1/16W 5%	9JR6100000048
R665	061T04023300FY	RST CHIP 330R 1/16W 1%	9JR6100000201
R666	061T0402101 Y	RST CHIP 100R 1/16W 5%	9JR6100000040
R667	061T0402470 Y	RST CHIP 47R 1/16W 5%	9JR6100000053
R668	061T0402102 Y	RST CHIP 1K 1/16W 5%	9JR6100000041
R669	061T0402101 Y	RST CHIP 100R 1/16W 5%	9JR6100000040
R670	061T0603750 Y	RST CHIPR 75 OHM +-5% 1/10W YAGEO	9JR6100000253
R671	061T0402470 Y	RST CHIP 47R 1/16W 5%	9JR6100000053
R672	061T0402473 Y	RST CHIP 47K 1/16W 5%	9JR6100000055
R673	061T0402270 Y	RST CHIP 27R 1/16W 5%	9JR6100000048
R675	061T06032202FY	RST CHIPR 22KOHM +-1% 1/10W YAGEO	9JR6100000089
R677	061T0603103 Y	RST CHIPR 10KOHM +-5% 1/10W YAGEO	9JR6100000072
R678	061T0603103 Y	RST CHIPR 10KOHM +-5% 1/10W YAGEO	9JR6100000072
R679	061T0603471 Y	RST CHIPR 470 OHM +-5% 1/10W YAGEO	9JR6100000111
R680	061T0603471 Y	RST CHIPR 470 OHM +-5% 1/10W YAGEO	9JR6100000111
R682	061T0603333 Y	RST CHIPR 33KOHM +-5% 1/10W YAGEO	9JR6100000243
R683	061T04023300FY	RST CHIP 330R 1/16W 1%	9JR6100000201
R684	061T04023300FY	RST CHIP 330R 1/16W 1%	9JR6100000201
R685	061T04023300FY	RST CHIP 330R 1/16W 1%	9JR6100000201
R686	061T04023300FY	RST CHIP 330R 1/16W 1%	9JR6100000201
R687	061T0402222 Y	RST CHIP 2K2 1/16W 5%	9JR6100000047
R688	061T04023300FY	RST CHIP 330R 1/16W 1%	9JR6100000201
R689	061T0402222 Y	RST CHIP 2K2 1/16W 5%	9JR6100000047
R690	061T0402222 Y	RST CHIP 2K2 1/16W 5%	9JR6100000047
R691	061T0603472 Y	RST CHIPR 4.7KOHM +-5% 1/10W YAGEO	9JR6100000113
R692	061T0603472 Y	RST CHIPR 4.7KOHM +-5% 1/10W YAGEO	9JR6100000113
R693	061T0402473 Y	RST CHIP 47K 1/16W 5%	9JR6100000055
R694	061T0402473 Y	RST CHIP 47K 1/16W 5%	9JR6100000055
R695	061T0603472 Y	RST CHIPR 4.7KOHM +-5% 1/10W YAGEO	9JR6100000113
R696	061T0603000 Y	RST CHIP MAX 0R05 1/10W YAGEO	9JR6100000060
R697	061T0402473 Y	RST CHIP 47K 1/16W 5%	9JR6100000055
R699	061T0402473 Y	RST CHIP 47K 1/16W 5%	9JR6100000055
R700	061T0402000 Y	RST CHIP MAX 0R05 1/16W YAGEO	9JR6100000037
R701	061T0402101 Y	RST CHIP 100R 1/16W 5%	9JR6100000040
R702	061T0402101 Y	RST CHIP 100R 1/16W 5%	9JR6100000040
R703	061T0402101 Y	RST CHIP 100R 1/16W 5%	9JR6100000040
R704	061T0402273 Y	RST CHIP 27K 1/16W 5%	9JR6100000049
R705	061T0402222 Y	RST CHIP 2K2 1/16W 5%	9JR6100000047
R706	061T0402000 Y	RST CHIP MAX 0R05 1/16W YAGEO	9JR6100000037
R707	061T0402000 Y	RST CHIP MAX 0R05 1/16W YAGEO	9JR6100000037
R710	061T0402103 Y	RST CHIP 10K 1/16W 5%	9JR6100000043
R711	061T0402473 Y	RST CHIP 47K 1/16W 5%	9JR6100000055
R712	061T0402473 Y	RST CHIP 47K 1/16W 5%	9JR6100000055
R713	061T0402101 Y	RST CHIP 100R 1/16W 5%	9JR6100000040
R714	061T0402101 Y	RST CHIP 100R 1/16W 5%	9JR6100000040

LC-26SB25E/S/RU, LC-32SB25E/S/RU, LC-42SB55E/S/RU

R715	061T0402330 Y	RST CHIP 33R 1/16W 5%	9JR6100000051
R717	061T0402104 Y	RST CHIP 100K 1/16W 5%	9JR6100000044
R718	061T0402102 Y	RST CHIP 1K 1/16W 5%	9JR6100000041
R720	061T0402472 Y	RST CHIP 4K7 1/16W 5%	9JR6100000054
R721	061T0402102 Y	RST CHIP 1K 1/16W 5%	9JR6100000041
R722	061T0402103 Y	RST CHIP 10K 1/16W 5%	9JR6100000043
R723	061T0402473 Y	RST CHIP 47K 1/16W 5%	9JR6100000055
R724	061T0402473 Y	RST CHIP 47K 1/16W 5%	9JR6100000055
R725	061T0402101 Y	RST CHIP 100R 1/16W 5%	9JR6100000040
R726	061T0402101 Y	RST CHIP 100R 1/16W 5%	9JR6100000040
R728	061T0402330 Y	RST CHIP 33R 1/16W 5%	9JR6100000051
R729	061T0402104 Y	RST CHIP 100K 1/16W 5%	9JR6100000044
R730	061T0402102 Y	RST CHIP 1K 1/16W 5%	9JR6100000041
R731	061T1206000 Y	RST CHIP MAX 0R05 1/4W YAGEO	9JR6100000158
R732	061T0402102 Y	RST CHIP 1K 1/16W 5%	9JR6100000041
R733	061T0402472 Y	RST CHIP 4K7 1/16W 5%	9JR6100000054
R734	061T0402101 Y	RST CHIP 100R 1/16W 5%	9JR6100000040
R735	061T0402101 Y	RST CHIP 100R 1/16W 5%	9JR6100000040
R736	061T0402104 Y	RST CHIP 100K 1/16W 5%	9JR6100000044
R737	061T0402102 Y	RST CHIP 1K 1/16W 5%	9JR6100000041
R738	061T0402102 Y	RST CHIP 1K 1/16W 5%	9JR6100000041
R740	061T0402103 Y	RST CHIP 10K 1/16W 5%	9JR6100000043
R741	061T0402473 Y	RST CHIP 47K 1/16W 5%	9JR6100000055
R742	061T0402473 Y	RST CHIP 47K 1/16W 5%	9JR6100000055
R743	061T0402330 Y	RST CHIP 33R 1/16W 5%	9JR6100000051
R744	061T0402472 Y	RST CHIP 4K7 1/16W 5%	9JR6100000054
R745	061T0402472 Y	RST CHIP 4K7 1/16W 5%	9JR6100000054
R746	061T0402472 Y	RST CHIP 4K7 1/16W 5%	9JR6100000054
R751	061T0603000 Y	RST CHIP MAX 0R05 1/10W YAGEO	9JR6100000060
R755	061T0603102 Y	RST CHIPR 1KOHM +-5% 1/10W YAGEO	9JR6100000070
R758	061T0603472 Y	RST CHIPR 4.7KOHM +-5% 1/10W YAGEO	9JR6100000113
R759	061T0603472 Y	RST CHIPR 4.7KOHM +-5% 1/10W YAGEO	9JR6100000113
R760	061T0603101 Y	RST CHIPR 100 OHM +-5% 1/10W YAGEO	9JR6100000066
R761	061T0603472 Y	RST CHIPR 4.7KOHM +-5% 1/10W YAGEO	9JR6100000113
R764	061T0603202 Y	RST CHIPR 2KOHM +-5% 1/10W YAGEO	9JR6100000087
R765	061T0603103 Y	RST CHIPR 10KOHM +-5% 1/10W YAGEO	9JR6100000072
RN230	061T 125330 8Y	RST CHIP AR 8P4R 33 OHM +-5% 1/16W	9JR6100000186
RN231	061T 125330 8Y	RST CHIP AR 8P4R 33 OHM +-5% 1/16W	9JR6100000186
RN232	061T 125330 8Y	RST CHIP AR 8P4R 33 OHM +-5% 1/16W	9JR6100000186
RP350	061T 125510 8Y	RST CHIP ARRAY 51R 1/16W 5% 8P4R	9JR6100000187
RP351	061T 125510 8Y	RST CHIP ARRAY 51R 1/16W 5% 8P4R	9JR6100000187
RP352	061T 125510 8Y	RST CHIP ARRAY 51R 1/16W 5% 8P4R	9JR6100000187
RP353	061T 125510 8Y	RST CHIP ARRAY 51R 1/16W 5% 8P4R	9JR6100000187
U102	056T 563928	IC LP2996MRX PSOP-8	9JR5600000012
U103	056T 563948	IC L5985 VFQFPN8	9JR5600000013
U104	056T 563948	IC L5985 VFQFPN8	9JR5600000013
U151	056T 563916	IC LD1117DT33TR DPAK	9JR5600000011
U152	056T 563129	IC AME8810-AEGTZ 0.6A/3.3V SOT-223	9JR5600000033
U153	056T 563951	IC LD1117ADT-TR DPAK	9JR5600000034
U154	056T 563906	IC LD1117DTTR DPAK(T&R)	9JR5600000010
U156	056T 563906	IC LD1117DTTR DPAK(T&R)	9JR5600000010
U157	056T 563916	IC LD1117DT33TR DPAK	9JR5600000011
U158	056T 1331PH	LD1117S18 SOT-223	9JR5600000027
U231	056T 647 25	IC MT5133AN QFN-48	9JR5600000045
U302	056T 643 35	IC MAX809STRG 2.93V SOT23-3	9JR5600000022
U351	056T 615911	IC NT5TU16M16AG-3C BGA84	9JR5600000017
U352	056T 615911	IC NT5TU16M16AG-3C BGA84	9JR5600000017
U400	056T 562932	IC MT5337PKR PBGA-465	9JR5600000031
U401	056T1126 40	IC MT8295AE LQFP-128	9JR5600000049
U550	056T1133913	IC M24C02-WDW6P TSSOP8	9JR5600000025
U600	056T 616912	IC TDA8933BTW HTSSOP32	9JR5600000019
U601	056T 616517	IC TS486IDT ST	9JR5600000040
U602	056T 647903	IC WM8521H9GED/RV SOIC-14	9JR5600000046
U603	056T 616914	IC RC4580IPWR TSSOP8	9JR5600000042
U604	056T 133 22 ST	IC L78L09ACZ-AP TO-92	9JR5600000026
U700	056T1133913	IC M24C02-WDW6P TSSOP8	9JR5600000025
U701	056T1133913	IC M24C02-WDW6P TSSOP8	9JR5600000025
U708	056T1133913	IC M24C02-WDW6P TSSOP8	9JR5600000025
X300	093T 22S917 C	CRYSTAL 60MHz 9P SMD-49	9JR9300000009
X400	093T 22S921 C	CRYSTAL 27MHz 20P SMD-5.0x3.2	9JR9300000048
Y230	093T 22S920 C	CRYSTAL 27MHz 20P SMD-49	9JR9300000047
ZD200	093T 39S 34 T	UDZSNP5.6B ROHM	9JR9300000015
ZD500	093T 39S 34 T	UDZSNP5.6B ROHM	9JR9300000015
ZD501	093T 39S 34 T	UDZSNP5.6B ROHM	9JR9300000015

ZD502	093T 39S 34 T	UDZSNP5.6B ROHM	9JR9300000015
ZD503	093T 39S 34 T	UDZSNP5.6B ROHM	9JR9300000015
ZD504	093T 64 37 N	V-PORT-0603-100K V05	9JR9300000045
ZD505	093T 64 37 N	V-PORT-0603-100K V05	9JR9300000045
ZD506	093T 39GA28 T	ZENER DIODE RLZ13B SEMTECH	9JR9300000052
ZD507	093T 39S 34 T	UDZSNP5.6B ROHM	9JR9300000015
ZD508	093T 64 37 N	V-PORT-0603-100K V05	9JR9300000045
ZD509	093T 64 37 N	V-PORT-0603-100K V05	9JR9300000045
ZD510	093T 39GA28 T	ZENER DIODE RLZ13B SEMTECH	9JR9300000052
ZD511	093T 39S 34 T	UDZSNP5.6B ROHM	9JR9300000015
ZD512	093T 39S 34 T	UDZSNP5.6B ROHM	9JR9300000015
ZD513	093T 39S 34 T	UDZSNP5.6B ROHM	9JR9300000015
ZD550	093T 39S 34 T	UDZSNP5.6B ROHM	9JR9300000015
ZD551	093T 39S 34 T	UDZSNP5.6B ROHM	9JR9300000015
ZD552	093T 39S 34 T	UDZSNP5.6B ROHM	9JR9300000015
ZD553	093T 39S 34 T	UDZSNP5.6B ROHM	9JR9300000015
ZD554	093T 39S 34 T	UDZSNP5.6B ROHM	9JR9300000015
ZD555	093T 39S 34 T	UDZSNP5.6B ROHM	9JR9300000015
ZD556	093T 64 37 N	V-PORT-0603-100K V05	9JR9300000045
ZD557	093T 64 37 N	V-PORT-0603-100K V05	9JR9300000045
ZD558	093T 64 37 N	V-PORT-0603-100K V05	9JR9300000045
ZD559	093T 64 37 N	V-PORT-0603-100K V05	9JR9300000045
ZD560	093T 39S 34 T	UDZSNP5.6B ROHM	9JR9300000015
ZD561	093T 39S 34 T	UDZSNP5.6B ROHM	9JR9300000015
ZD562	093T 39S 34 T	UDZSNP5.6B ROHM	9JR9300000015
ZD563	093T 39S 34 T	UDZSNP5.6B ROHM	9JR9300000015
ZD650	093T 39S 34 T	UDZSNP5.6B ROHM	9JR9300000015
ZD651	093T 64 37 N	V-PORT-0603-100K V05	9JR9300000045
ZD652	093T 64 37 N	V-PORT-0603-100K V05	9JR9300000045
ZD653	093T 39S 34 T	UDZSNP5.6B ROHM	9JR9300000015
ZD654	093T 39S 34 T	UDZSNP5.6B ROHM	9JR9300000015
ZD655	093T 64 37 N	V-PORT-0603-100K V05	9JR9300000045
ZD656	093T 64 37 N	V-PORT-0603-100K V05	9JR9300000045
ZD657	093T 64 37 N	V-PORT-0603-100K V05	9JR9300000045
ZD658	093T 64 37 N	V-PORT-0603-100K V05	9JR9300000045
ZD659	093T 64 37 N	V-PORT-0603-100K V05	9JR9300000045
ZD660	093T 64 37 N	V-PORT-0603-100K V05	9JR9300000045
ZD661	093T 64 37 N	V-PORT-0603-100K V05	9JR9300000045
ZD702	093T 39S906 T	DIODE PDZ24B SOD-323 PHILIPS	9JR9300000016
ZD703	093T 39S906 T	DIODE PDZ24B SOD-323 PHILIPS	9JR9300000016
ZD704	093T 39S906 T	DIODE PDZ24B SOD-323 PHILIPS	9JR9300000016
Power PCB			
1054	ADTV82428PA3	POWER PCB ASSY	
BD901	093T 50460909	BRIDGE GBJ1508 15A/800V	9JR9300000041
C900	065T306M2222B3	CER Y2 2200PF M 400VAC TDK	9JR6500000107
C901	065T306K4712B3	Y1 CAP 470pF +-10% 250VAC CD SERIES	9JR6500000105
C902	065T306K4712B3	Y1 CAP 470pF +-10% 250VAC CD SERIES	9JR6500000105
C903	065T306M2222B3	CER Y2 2200PF M 400VAC TDK	9JR6500000107
C907	067T 4022115E	EC 220uF 450V LSG 35x30mm	9JR6700000058
C908	063T107K684 U	X2 CAP 0.68uF K 275VAC	9JR6300000001
C909	063T107K684 U	X2 CAP 0.68uF K 275VAC	9JR6300000001
C910	063T210J1044CC	CAP MPP 100NF 630V 5%	9JR6300000003
C912	065T080522517Z Y	CAP CHIP 0805 2.2UF Z 16V Y5V	9JR6500000082
C913	065T080510232K Y	CAP CHIP 0805 1NF K 50V X7R	9JR6500000065
C915	065T080547131J Y	CAP CHIP 0805 470PF J 50V NPO	9JR6500000087
C916	065T080533422K 3	CAP CHIP 0805 330N 25V X7R +/-10%	9JR6500000086
C918	065T080533422K 3	CAP CHIP 0805 330N 25V X7R +/-10%	9JR6500000086
C920	065T080533422K 3	CAP CHIP 0805 330N 25V X7R +/-10%	9JR6500000086
C922	065T080510432K Y	CAP CHIP 0805 0.1UF K 50V X7R	9JR6500000071
C923	065T080533422K 3	CAP CHIP 0805 330N 25V X7R +/-10%	9JR6500000086
C924	065T080510432K Y	CAP CHIP 0805 0.1UF K 50V X7R	9JR6500000071
C925	065T080510231J Y	CAP CHIP 0805 1NF J 50V NPO	9JR6500000063
C926	065T 1K1529AT	C CAP. 1500PF 1KV	9JR6500000112
C927	065T080533232K Y	CAP CHIP 0805 3300PF K 50V X7R	9JR6500000084
C928	065T080510432K Y	CAP CHIP 0805 0.1UF K 50V X7R	9JR6500000071
C929	065T 1K3319AT	C CAP. 330PF 1KV RR	9JR6500000114
C930	065T 1K2219AT	C CAP. 220PF 1KV	9JR6500000113
C931	065T 1K2219AT	C CAP. 220PF 1KV	9JR6500000113
C932	065T080510332K Y	CAP CHIP 0805 10NF K 50V X7R	9JR6500000068
C933	065T120633432K 3	CAP CHIP 330N 50V X7R +/- 10%	9JR6500000159
C934	067T 305470 4T	105°C RADIAL E-CAPACTOR 47uF 25V	9JR6700000026
C935	063T214J155GMU	CAP MPPB 1U5 450V 5%	9JR6300000009
C936	067T 305470 4T	105°C RADIAL E-CAPACTOR 47uF 25V	9JR6700000026

LC-26SB25E/S/RU, LC-32SB25E/S/RU, LC-42SB55E/S/RU

C937	065T080510332K Y	CAP CHIP 0805 10NF K 50V X7R	9JR6500000068
C939	065T080510432K Y	CAP CHIP 0805 0.1UF K 50V X7R	9JR6500000071
C940	064T 47J1031AT EU	F/C PPN 10N 100V 5%	9JR6400000002
C941	065T080533422K 3	CAP CHIP 0805 330N 25V X7R +/-10%	9JR6500000086
C942	065T080510332K Y	CAP CHIP 0805 10NF K 50V X7R	9JR6500000068
C945	065T517K1524AT	C CAP. 1500PF 500V 10% RC	9JR6500000109
C951	067T 515681 7C	EC 680UF 50V GF 13*25mm	9JR6700000082
C952	067T 515681 7C	EC 680UF 50V GF 13*25mm	9JR6700000082
C955	067T 515272 3C	EC 2700UF 16V GF 13*25mm	9JR6700000080
C956	067T 515102 4C	ELCAP 1000UF M 25V 105°C CAPXON	9JR6700000079
C959	067T 315220 7K	EC 22uF 50V EG1H220MNN0511PU 5*11mm	9JR6700000077
C966	067T 3051007ET	EC 10uF 50V RGA 5x11 mm	9JR6700000006
C967	067T 3051017CT	EC 100uF 50V KM 8x11.5mm	9JR6700000020
C968	065T080510432K Y	CAP CHIP 0805 0.1UF K 50V X7R	9JR6500000071
C969	067T 3053307CT	EC 33uF 50V KM 6.3x11mm	9JR6700000024
C970	067T 3051007ET	EC 10uF 50V RGA 5x11 mm	9JR6700000006
CN901	087T 501907 S	AC SOCKET V 3P ST-01DR-BBBS-3000	9JR8700000002
CN902	095T801412F920	HARNESS 12P-12P 180mm 75259	9JR9500000015
CN903	033T3803 13	WAFER & Plug 13PIN	9JR3300000012
CN905	033T3803 13	WAFER & Plug 13PIN	9JR3300000012
D901	093T 60298	DIODE SBT15006JST 15A/60V TO-220ML(LS)	9JR9300000043
D902	093T 60298	DIODE SBT15006JST 15A/60V TO-220ML(LS)	9JR9300000043
D903	093T 52 56	DIODE FMN-1106S 10A/600V TO-220	9JR9300000020
D908	093T102050152T	RGP10D	9JR9300000031
D924	093T108090052T	DIODE UG1006 1A 800V DO-41	9JR9300000032
D927	093T 60910	DIODE 40V/10A SBF1040CT ITO-220AB	9JR9300000023
D928	093T 60910	DIODE 40V/10A SBF1040CT ITO-220AB	9JR9300000023
D930	093T 6450752T	DIODE BAV21 PHILIPS	9JR9300000027
D931	093T 6450752T	DIODE BAV21 PHILIPS	9JR9300000027
D932	093T 6450752T	DIODE BAV21 PHILIPS	9JR9300000027
D933	093T 6450752T	DIODE BAV21 PHILIPS	9JR9300000027
D936	093T 6450752T	DIODE BAV21 PHILIPS	9JR9300000027
D937	093T 6450752T	DIODE BAV21 PHILIPS	9JR9300000027
D938	093T 6450752T	DIODE BAV21 PHILIPS	9JR9300000027
F901	084T 41 6 C	FUSE 6.3A 250V,Time Lag Fuse	9JR8400000002
FB903	071T 55 8	FERRITE BEAD	9JR7100000004
FB904	071T 55 8	FERRITE BEAD	9JR7100000004
FB919	071T 55909	FERRITE CORE 2.5*3*0.8 BF-L25030W-768	9JR7100000008
FB920	071T 55909	FERRITE CORE 2.5*3*0.8 BF-L25030W-768	9JR7100000008
FB921	071T 55909	FERRITE CORE 2.5*3*0.8 BF-L25030W-768	9JR7100000008
FB922	071T 55906	FERRITE CORE 510R C8B R6H 6x9.2(A)	9JR7100000006
FB923	071T 55906	FERRITE CORE 510R C8B R6H 6x9.2(A)	9JR7100000006
FB964	071T 55909	FERRITE CORE 2.5*3*0.8 BF-L25030W-768	9JR7100000008
HBD901	P90T0052101	HEAT SINK	9JR9000000001
HD901	P90T0027301	HEAT SINK	9JR9000000002
HD902	P51T 13001	GREASE SILICONE DC4	9JR5100000001
HD903	P90T0012 1	HEATSINK(10*18*20)	9JR9000000003
HD927	P90T0012 1	HEATSINK(10*18*20)	9JR9000000003
HD928	P90T0012 1	HEATSINK(10*18*20)	9JR9000000003
HQ902	P90T0011401	HEAT SINK	9JR9000000004
HQ919	P90T0027201	HEAT SINK	9JR9000000005
IC901	056T 665 10 1	IC RESONANT L6599DTR SO-16N ST	9JR5600000024
IC902	056T 379901	IC SG6961	9JR5600000008
IC903	056T 581 7	IC TNY277PN DIP-8C	9JR5600000015
IC909	056T 139 3B	IC PC123Y82FZ0F	9JR5600000003
IC910	056T 139 3B	IC PC123Y82FZ0F	9JR5600000003
IC911	056T 139 3B	IC PC123Y82FZ0F	9JR5600000003
IC913	056T 158901	IC TL431ACZ-AP TO92	9JR5600000007
IC914	056T 158901	IC TL431ACZ-AP TO92	9JR5600000007
J928	061T1206000	RST CHIP MAX 0R05 1/4W	9JR6100000156
L901	073T 174914 LS	LINE FILTER 11mH 3.5A FPH6001AL	9JR7300000009
L902	073T 174915 L	LINE FILTER 8mH 4.0A LF-006013-4	9JR7300000011
L903	080TL42T917 LS	XFMR 270uH QPH7005AL	9JR8000000001
L906	073T 253A02 H	CHOKE COIL 2.4uH+/-20% 8.0A LB2R4 HA	9JR7300000023
L907	073T 253A01 H	CHOKE COIL 2.3uH+/-20% 5.0A LB2R3 HA	9JR7300000022
L908	073T 253 91 H	CHOKE COIL	9JR7300000012
L909	073T 253A01 H	CHOKE COIL 2.3uH+/-20% 5.0A LB2R3 HA	9JR7300000022
Q902	057T 667 54	TRA STW21NM60N 17A/650V TO-247	9JR5700000015
Q915	057T 477900 T	TRA BC847C 100mA/50V SOT-23	9JR5700000010
Q916	057T 477900 T	TRA BC847C 100mA/50V SOT-23	9JR5700000010
Q917	057T 477900 T	TRA BC847C 100mA/50V SOT-23	9JR5700000010
Q918	057T 477900 T	TRA BC847C 100mA/50V SOT-23	9JR5700000010
Q919	057T 611 9	FET 2SK4097LS 9.5A/500V TO-220FI(LS)	9JR5700000031
Q920	057T 611 9	FET 2SK4097LS 9.5A/500V TO-220FI(LS)	9JR5700000031

Q922	057T 420903 T	TRA BC327 800mA/45V TO-92	9JR570000030
Q923	057T 420519 T	BC857C	9JR5700000029
Q924	057T 420519 T	BC857C	9JR5700000029
R913	061T0805333	RST CHIPR 33 KOHM +-5% 1/8W	9JR6100000145
R915	061T0805473 Y	RST CHIPR 47KOHM +-5% 1/8W YAGEO	9JR6100000152
R916	061T0805153 Y	RST CHIPR 15KOHM +-5% 1/8W YAGEO	9JR6100000136
R917	061T 60212352T TZ	RST CFR 12K 1/6W 5%	9JR6100000024
R918	061T0805683	RST CHIPR 68 KOHM +-5% 1/8W	9JR6100000155
R919	061T0805103	RST CHIPR 10 KOHM +-5% 1/8W	9JR6100000127
R920	061T 60210352T TZ	RST CFR 10K 1/6W 5%	9JR6100000020
R921	061T 60222552T TZ	RST CFR 2M2 1/6W 5%	9JR6100000026
R924	061G208M18852T	RST MOF 0R18 5% 1W	9JR6100000014
R926	061G208M18852T	RST MOF 0R18 5% 1W	9JR6100000014
R928	061T 60227252T TZ	RST CFR 2K7 1/6W 5%	9JR6100000028
R929	061T0805473	RST CHIPR 47 KOHM +-5% 1/8W	9JR6100000151
R930	061T1206472	RST CHIPR 4.7 KOHM +-5% 1/4W	9JR6100000168
R932	061T 60233152T TZ	RST CFR 330R 1/6W 5%	9JR6100000030
R936	061T0805104	RST CHIPR 100 KOHM +-5% 1/8W	9JR6100000128
R937	061T0805220 1F	RST CHIPR 2.2KOHM +-1% 1/8W	9JR6100000140
R938	061T0805472	RST CHIPR 4.7 KOHM +-5% 1/8W	9JR6100000150
R939	061T0805180 2F	RST CHIPR 18 KOHM +-1% 1/8W	9JR6100000138
R940	061T0805150 1F	RST CHIPR 1.5 KOHM +-1% 1/8W	9JR6100000133
R941	061T0805150 2F	RST CHIPR 15 KOHM +-1% 1/8W	9JR6100000134
R943	061T 60247152T TZ	RST CFR 470R 1/6W 5%	9JR6100000034
R944	061T0805100 2F	RST CHIPR 10 KOHM +-1% 1/8W	9JR6100000125
R945	061T0805180 1F	RST CHIPR 1K8 OHM +-1% 1/8W	9JR6100000137
R946	061T 60210352T TZ	RST CFR 10K 1/6W 5%	9JR6100000020
R947	061T0805390 2F	RST CHIPR 39 KOHM +-1% 1/8W	9JR6100000148
R949	061T0805332	RST CHIPR 3.3 KOHM +-5% 1/8W	9JR6100000144
R952	061T0805220	RST CHIPR 22 OHM +-5% 1/8W	9JR6100000139
R953	061T0805104	RST CHIPR 100 KOHM +-5% 1/8W	9JR6100000128
R954	061T0805150 2F	RST CHIPR 15 KOHM +-1% 1/8W	9JR6100000134
R955	061T 60233252T TZ	RST CFR 3K3 1/6W 5%	9JR6100000032
R956	061T0805680	RST CHIP 68R 1/8W 5%	9JR6100000153
R957	061T0805680	RST CHIP 68R 1/8W 5%	9JR6100000153
R958	061T0805333 Y	RST CHIPR 33KOHM +-5% 1/8W YAGEO	9JR6100000264
R959	061T1206104 Y	RST CHIPR 100KOHM +-5% 1/4W YAGEO	9JR6100000273
R960	061T1206104 Y	RST CHIPR 100KOHM +-5% 1/4W YAGEO	9JR6100000273
R961	061T1206104 Y	RST CHIPR 100KOHM +-5% 1/4W YAGEO	9JR6100000273
R962	061T0805243	RST CHIPR 24 KOHM +-5% 1/8W	9JR6100000142
R963	061T0805104	RST CHIPR 100 KOHM +-5% 1/8W	9JR6100000128
R965	061T1206471	RST CHIPR 470 OHM +-5% 1/4W	9JR6100000167
R966	061T0805222	RST CHIPR 2.2 KOHM +-5% 1/8W	9JR6100000141
R967	061T0805105	RST CHIPR 1 MOHM +-5% 1/8W	9JR6100000129
R968	061T1206471	RST CHIPR 470 OHM +-5% 1/4W	9JR6100000167
R969	061T1206100 4F	RST CHIPR 1 MOHM +-1% 1/4W	9JR6100000161
R970	061T1206100 4F	RST CHIPR 1 MOHM +-1% 1/4W	9JR6100000161
R971	061T1206100 4F	RST CHIPR 1 MOHM +-1% 1/4W	9JR6100000161
R972	061T0805180 2F	RST CHIPR 18 KOHM +-1% 1/8W	9JR6100000138
R973	061T08058200FY	RST CHIP 820R 1/8W 1%	9JR6100000270
R974	061T1206225	RST CHIPR 2.2 MOHM +-5% 1/4W	9JR6100000166
R975	061T1206225	RST CHIPR 2.2 MOHM +-5% 1/4W	9JR6100000166
R976	061T1206220	RST CHIPR 22 OHM +-5% 1/4W	9JR6100000164
R977	061T1206225	RST CHIPR 2.2 MOHM +-5% 1/4W	9JR6100000166
R978	061T0805124	RST CHIPR 120 KOHM +-5% 1/8W	9JR6100000132
R979	061T0805361	RST CHIPR 360 OHM +-5% 1/8W	9JR6100000147
R980	061T0805474	RST CHIPR 470 KOHM +-5% 1/8W	9JR6100000267
R981	061T0805682 Y	RST CHIPR 6.8KOHM +-5% 1/8W YAGEO	9JR6100000269
R982	061T0805101	RST CHIPR 100 OHM +-5% 1/8W	9JR6100000126
R983	061T0805100	RST CHIPR 10 OHM +-5% 1/8W	9JR6100000124
R984	061T0805331 Y	RST CHIPR 330 OHM +-5% 1/8W YAGEO	9JR6100000143
R985	061T 60247252T TZ	RST CFR 4K7 1/6W 5%	9JR6100000036
R986	061T0805103	RST CHIPR 10 KOHM +-5% 1/8W	9JR6100000127
R987	061T 60210452T TZ	RST CFR 100K 1/6W 5%	9JR6100000022
R988	061T0805472	RST CHIPR 4.7 KOHM +-5% 1/8W	9JR6100000150
R989	061T 60247252T TZ	RST CFR 4K7 1/6W 5%	9JR6100000036
R990	061T0805472	RST CHIPR 4.7 KOHM +-5% 1/8W	9JR6100000150
R991	061T0805470	RST CHIPR 47 OHM +-5% 1/8W	9JR6100000149
RV902	061T 46902	VARISTOR 510V TVR14511KFC4FY	9JR6100000181
RV904	061T 46902	VARISTOR 510V TVR14511KFC4FY	9JR6100000181
SG1	062T 10 18 M	SPARK GAP 200V DSP201M-A21F	9JR6200000003
SG2	062T 10 18 M	SPARK GAP 200V DSP201M-A21F	9JR6200000003
SG3	062T 10 18 M	SPARK GAP 200V DSP201M-A21F	9JR6200000003
SG4	062T 10 18 M	SPARK GAP 200V DSP201M-A21F	9JR6200000003

LC-26SB25E/S/RU, LC-32SB25E/S/RU, LC-42SB55E/S/RU

T904	080TL42T916 L	XFMR 950uH PT-009601-3	9JR8000000003
T905	080TL42T923 L	XFMR 2.5mH PT-009983	9JR8000000005
TH901	061T 58905 WT	NTC 0R75 15% SCK100R75MSY001 BY THINKING	9JR6100000184
ZD910	093T 3990252T	DIODE BZX79-C15 DO-35	9JR9300000039
ZD911	093T 3919352T	TVS P6KE160A DO-15	9JR9300000038
ZD912	093G 3990752T	DIO REG BZX79-C5V1 A (PHSE) A	9JR9300000034
ZD913	093G 3992152T	DIODE BZX79-C9V1 DO-35	9JR9300000035
ZD914	093T 39S917 T	DIODE BZX84-C20 SOT-23	9JR9300000017
ZD915	093T 39S917 T	DIODE BZX84-C20 SOT-23	9JR9300000017
ZD916	093T 39S917 T	DIODE BZX84-C20 SOT-23	9JR9300000017
IR PCB 1056 IRPF8PB7 IR PCB ASSY			
C001	065T0603105A7Z Y	CAP CHIP 0603 1U 10V Y5V -20%+80%	9JR6500000046
C002	065T060310337Z Y	CAP CHIP 0603 10N 50V Y5V -20%+80%	9JR6500000033
C004	065T060310437Z Y	CAP CHIP 0603 0.1UF Z 50V Y5V	9JR6500000038
CN001	033T8032 5R H X	CON H 5P M 1.25 S1315-05RVA-1C	9JR3300000030
LED001	081T 14908 KB	LED SM KPB-3025SURKCGKC	9JR8100000001
Q001	057T 477900 T	TRA BC847C 100mA/50V SOT-23	9JR5700000010
Q002	057T 477900 T	TRA BC847C 100mA/50V SOT-23	9JR5700000010
R001	061T0603511 Y	RST CHIPR 510 OHM +-5% 1/10W YAGEO	9JR6100000249
R002	061T0603471 Y	RST CHIPR 470 OHM +-5% 1/10W YAGEO	9JR6100000111
R004	061T0603222 Y	RST CHIPR 2.2KOHM +-5% 1/10W YAGEO	9JR6100000091
R006	061T0603222 Y	RST CHIPR 2.2KOHM +-5% 1/10W YAGEO	9JR6100000091
R007	061T0603272 Y	RST CHIPR 2.7KOHM +-5% 1/10W YAGEO	9JR6100000098
R008	061T0603101 Y	RST CHIPR 100 OHM +-5% 1/10W YAGEO	9JR6100000066
U001	056T 627902	IC TSOP34438ST1	9JR5600000021
Key PCB 1057 KEPF8PB2 KEY BOARD			
C023	065T060310437Z Y	CAP CHIP 0603 0.1UF Z 50V Y5V	9JR6500000038
C024	065T060310437Z Y	CAP CHIP 0603 0.1UF Z 50V Y5V	9JR6500000038
CN016	033T3802 4 H X	WAFER 4P RIGHT ANGLE PITCH 2.0	9JR3300000019
R016	061T0603113 Y	RST CHIPR 11KOHM +-5% 1/10W YAGEO	9JR6100000218
R017	061T0603432 Y	RST CHIPR 4.3KOHM +-5% 1/10W YAGEO	9JR6100000105
R018	061T0603182 Y	RST CHIPR 1.8KOHM +-5% 1/10W YAGEO	9JR6100000082
R019	061T0603471 Y	RST CHIPR 470 OHM +-5% 1/10W YAGEO	9JR6100000111
R020	061T0603113 Y	RST CHIPR 11KOHM +-5% 1/10W YAGEO	9JR6100000218
R021	061T0603432 Y	RST CHIPR 4.3KOHM +-5% 1/10W YAGEO	9JR6100000105
R022	061T0603182 Y	RST CHIPR 1.8KOHM +-5% 1/10W YAGEO	9JR6100000082
SW016	077T 600 1GCJ	TACT SWITCH TSPB-2 -NP	9JR7700000001
SW017	077T 600 1GCJ	TACT SWITCH TSPB-2 -NP	9JR7700000001
SW018	077T 600 1GCJ	TACT SWITCH TSPB-2 -NP	9JR7700000001
SW019	077T 600 1GCJ	TACT SWITCH TSPB-2 -NP	9JR7700000001
SW020	077T 600 1GCJ	TACT SWITCH TSPB-2 -NP	9JR7700000001
SW021	077T 600 1GCJ	TACT SWITCH TSPB-2 -NP	9JR7700000001
SW022	077T 600 1GCJ	TACT SWITCH TSPB-2 -NP	9JR7700000001

Model: LC-32SB25E(CMO)			
Item	Code number	Description	Sharp C/N
Mechanical Parts			
30	705TP834025	BEZEL ASSY	9JR7050000014
35	705TP833007	KEY PAD ASSY	9JR7050000011
40	705TP834026	REAR COVER ASSY	9JR7050000015
50	705TP837008	BASE ASSY	9JR7050000018
60	705TP837009	BASE STAND ASSY	9JR7050000019
1185	078T 495902 1M	Speaker 8ohm/6W 120mmX30mm	9JR7800000002
1186	078T 495902 1M	Speaker 8ohm/6W 120mmX30mm	9JR7800000002
Accessory			
1172	089T404A18NHT2	POWER CORD 1.8M 4L4L-040-00K	9JR8900000003
1176	098TRABD5NESHCH	REMOTE CONTROL RL57S	9JR9800000002
	705TZ841028	DFU ASSY	9JR7050000023
	705TZ841031	DFU ASSY	9JR7050000024
Packing			
451	705TZ8CS008	Cushion_Assy	9JR7050000027
450	P44TJ017843 1A	CARTON	9JR4400000013
miscellanea			
98	0Q1T 930 8 47 CR3	SCREW	9JR0100000007
99	0M1T 940 16 47 CR3	SCREW M4X6	9JR0100000002
100	0Q1T 940 16 47 CR3	SCREW	9JR0100000020
101	0M1T 940 8120	SCREW	9JR0100000017
102	0Q1T1040 8120	SCREW	9JR0100000010
104	0M1T1730 8106 CR3	SCREW	9JR0100000019
105	0M1T1140 6120	SCREW 4*6MM	9JR0100000003
106	0M1T 330 6 47 CR3	SCREW	9JR0100000001
108	052T 1211551	AL FOIL (30x100mm) (CMO)	9JR5200000003
111	0Q1T1830 12 47 CR3	SCREW_THW K30x12 PT W=8.5	9JR0100000022
112	0Q1T 330 5120	SCREW	9JR0100000006
126	P40TJV0084336A	RATING LABEL	9JR4000000027
127	P40TA00081328A	FAMILY SHEET- SERVICE	9JR4000000004
130	P40TJ00084384A	CARTON LABEL	9JR4000000026
137	P40TN00084342B	LABEL_SIDE_IO	9JR4000000021
143	P45T 48005 1A	P.E. BAG(100 X 70)	9JR4500000003
144	P41TN025843 1C	QSG-1 (Western & North Europe)	9JR4100000008
145	P41TN026843 1B	QSG-2 (Eastern Europe & Russia)	9JR4100000009
455	P45T 46024	PE BAG(950X735x0.72mm)	9JR4500000006
8390	095T8014 4F927	HARNESS 4P-4P 520mm 75267	9JR9500000009
8391	095T8014 5F914	HARNESS 5P-5P 380mm 75266	9JR9500000012
8600	095T8013 2FA16	Harness 2P-FAST*2 440mm 76823	9JR9500000024
8601	095T8013 3FA06	Harness 3P-FAST*2 820mm 76824	9JR9500000025
8750	095T8018 30962 FP	HARNESS 30P-20*2P 150mm 75199	9JR9500000020
8902	095T801412FA15	Harness 12P-12P 115mm 76810	9JR9500000031
8903	095T801414F923	HARNESS 14P-13P 160mm 75264	9JR9500000018
LCD panel			
1050	750TVMM5B1113N	PANEL V315B1-L01 C2 NH CMO	9JR7500000003
PCB assy			
1053	CBPF82MBPN	Main Pcb Assy SHARP 32"CMO	9JR9900000008
1054	ADTV82420PA3	POWER PCB ASSY	9JR9900000005
1056	IRPF8PB7	IR PCB ASSY	9JR9900000009
1057	KEPF8PB2	KEY BOARD	9JR9900000010
Main PCB			
1053	CBPF82MBPN	Main Pcb Assy SHARP 32"CMO	
1261	TUPF8PD3	TUNER+EEPROM ASSY	9JR9900000015
1262	705TP856109	NOR FLASH ASSY (U390)	9JR7050000033
1302	705TP856108	Serial IIC EEPROM ASSY (CMO-Panasonic)	9JR7050000032
C101	067T 3051013LT	EC 100uF 16V RGA 6.3x11mm	9JR6700000059
C102	065T060333312K Y	CAP CHIP 0603 33N 16V X7R +/-10%	9JR6500000053
C104	065T060333312K Y	CAP CHIP 0603 33N 16V X7R +/-10%	9JR6500000053
C105	065T060310412K Y	CAP CHIP 0603 0.1UF K 16V X7R	9JR6500000036
C106	065T060310412K Y	CAP CHIP 0603 0.1UF K 16V X7R	9JR6500000036
C107	067T 215471 3C	EC 470uF 16V GF 8x16mm	9JR6700000004
C108	065T120610612K 3	CHIP 10uF 16V X7R 10%	9JR6500000098
C109	065T060310412K Y	CAP CHIP 0603 0.1UF K 16V X7R	9JR6500000036

LC-26SB25E/S/RU, LC-32SB25E/S/RU, LC-42SB55E/S/RU

C110	067T 3052213CT	EC 220uF 16V KM 8x12mm	9JR6700000022
C111	067T 5153313CT	EC 330UF 16V GF 8*16mm	9JR6700000040
C112	067T 5153313CT	EC 330UF 16V GF 8*16mm	9JR6700000040
C114	065T0805475A7Z Y	CAP CHIP 4.7UF 10V Y5V -20%~+80%	9JR6500000097
C117	065T0805106A7Z Y	CAP CHIP 0805 10UF Z 10V Y5V	9JR6500000077
C118	065T060310412K Y	CAP CHIP 0603 0.1UF K 16V X7R	9JR6500000036
C119	065T060310412K Y	CAP CHIP 0603 0.1UF K 16V X7R	9JR6500000036
C121	065T060310412K Y	CAP CHIP 0603 0.1UF K 16V X7R	9JR6500000036
C123	065T060310412K Y	CAP CHIP 0603 0.1UF K 16V X7R	9JR6500000036
C124	065T040210412K Y	CAP CHIP 0402 100N 16V X7R +/-10%	9JR6500000014
C125	065T060310412K Y	CAP CHIP 0603 0.1UF K 16V X7R	9JR6500000036
C126	065T060310412K Y	CAP CHIP 0603 0.1UF K 16V X7R	9JR6500000036
C127	065T0805106A7Z Y	CAP CHIP 0805 10UF Z 10V Y5V	9JR6500000077
C128	065T060333131J Y	CAP CHIP 0603 330PF J 50V NPO	9JR6500000051
C129	065T060333131J Y	CAP CHIP 0603 330PF J 50V NPO	9JR6500000051
C132	065T120610612K 3	CHIP 10uF 16V X7R 10%	9JR6500000098
C150	067T 3051013LT	EC 100uF 16V RGA 6.3x11mm	9JR6700000059
C151	065T060310412K Y	CAP CHIP 0603 0.1UF K 16V X7R	9JR6500000036
C152	067T 3114713ET	EC 470uF 16V RVJ 8x10mm	9JR6700000076
C153	065T0805106A5K 3	CHIP 10uF 10V X5R 10%	9JR6500000148
C154	067T 5153313CT	EC 330UF 16V GF 8*16mm	9JR6700000040
C158	065T060310412K Y	CAP CHIP 0603 0.1UF K 16V X7R	9JR6500000036
C159	067T 3051013LT	EC 100uF 16V RGA 6.3x11mm	9JR6700000059
C160	065T040210412K Y	CAP CHIP 0402 100N 16V X7R +/-10%	9JR6500000014
C161	067T511F1013CT	EC SMD 100U 16V MV 6.3x7.7mm	9JR6700000094
C162	067T 3111013ET	EC 100uF 16V VEL 6.3x5.5mm	9JR6700000069
C163	065T060310332K Y	CAP CHIP 0603 10NF K 50V X7R	9JR6500000031
C164	065T040210412K Y	CAP CHIP 0402 100N 16V X7R +/-10%	9JR6500000014
C165	065T060310437Z Y	CAP CHIP 0603 0.1UF Z 50V Y5V	9JR6500000038
C166	065T060310412K Y	CAP CHIP 0603 0.1UF K 16V X7R	9JR6500000036
C167	067T511F1004CT	EC SMD 10U 25V MV 4x5.5mm	9JR6700000093
C168	065T0805106A5K 3	CHIP 10uF 10V X5R 10%	9JR6500000148
C169	065T040210412K Y	CAP CHIP 0402 100N 16V X7R +/-10%	9JR6500000014
C170	067T 3111013ET	EC 100uF 16V VEL 6.3x5.5mm	9JR6700000069
C171	065T0805106A5K 3	CHIP 10uF 10V X5R 10%	9JR6500000148
C172	067T 305471 6E	EC 470uF 35V RGA 10x16mm	9JR6700000030
C173	065T040210412K Y	CAP CHIP 0402 100N 16V X7R +/-10%	9JR6500000014
C175	065T0805106A5K 3	CHIP 10uF 10V X5R 10%	9JR6500000148
C176	065T060310221J Y	CAP CHIP 0603 1NF J 25V MPO	9JR6500000027
C177	067T 3114703ET	EC SMD 47uF 16V VEJ 6.3x5.3mm	9JR6700000073
C178	067T 3114703ET	EC SMD 47uF 16V VEJ 6.3x5.3mm	9JR6700000073
C200	067T 3114703ET	EC SMD 47uF 16V VEJ 6.3x5.3mm	9JR6700000073
C201	065T060310412K Y	CAP CHIP 0603 0.1UF K 16V X7R	9JR6500000036
C202	067T 3111013ET	EC 100uF 16V VEL 6.3x5.5mm	9JR6700000069
C203	065T060310412K Y	CAP CHIP 0603 0.1UF K 16V X7R	9JR6500000036
C204	065T060310332K Y	CAP CHIP 0603 10NF K 50V X7R	9JR6500000031
C205	065T0805106A7Z Y	CAP CHIP 0805 10UF Z 10V Y5V	9JR6500000077
C206	065T060310412K Y	CAP CHIP 0603 0.1UF K 16V X7R	9JR6500000036
C207	065T040210312K Y	CAP CHIP 0402 10N 16V X7R +/-10%	9JR6500000011
C208	065T040210312K Y	CAP CHIP 0402 10N 16V X7R +/-10%	9JR6500000011
C209	065T060310412K Y	CAP CHIP 0603 0.1UF K 16V X7R	9JR6500000036
C210	065T040247312K 3	CHIP CAP 47N 16V X7R 10%	9JR6500000125
C211	065T060347031J Y	CAP CHIP 0603 47PF J 50V NPO	9JR6500000055
C212	065T040210412K Y	CAP CHIP 0402 100N 16V X7R +/-10%	9JR6500000014
C213	065T060310512K 3	MLCC 0603 CAP 1uF K 16V X7R	9JR6500000043
C214	065T0805475A2K 3	CAP CHIP 4.7UF 10V X7R +/- 10%	9JR6500000092
C215	065T060310412K Y	CAP CHIP 0603 0.1UF K 16V X7R	9JR6500000036
C216	065T0805106A7Z Y	CAP CHIP 0805 10UF Z 10V Y5V	9JR6500000077
C217	065T060310412K Y	CAP CHIP 0603 0.1UF K 16V X7R	9JR6500000036
C218	065T0805106A7Z Y	CAP CHIP 0805 10UF Z 10V Y5V	9JR6500000077
C219	065T060310412K Y	CAP CHIP 0603 0.1UF K 16V X7R	9JR6500000036
C220	065T0805106A7Z Y	CAP CHIP 0805 10UF Z 10V Y5V	9JR6500000077
C221	065T040210505K 3	CAP CHIP 0402 1UF 6V3 X5R +/-10%	9JR6500000117
C222	067T 3114713ET	EC 470uF 16V RVJ 8x10mm	9JR6700000076
C229	065T040210412K Y	CAP CHIP 0402 100N 16V X7R +/-10%	9JR6500000014
C230	065T040210232K Y	CAP CHIP 0402 1N 50V X7R +/-10%	9JR6500000009
C231	065T040227031J 3	CAP CHIP 0402 27P 50V NPO +/-5%	9JR6500000119
C232	065T060310412K Y	CAP CHIP 0603 0.1UF K 16V X7R	9JR6500000036
C233	065T060310412K Y	CAP CHIP 0603 0.1UF K 16V X7R	9JR6500000036
C234	065T060310412K Y	CAP CHIP 0603 0.1UF K 16V X7R	9JR6500000036
C235	065T060310412K Y	CAP CHIP 0603 0.1UF K 16V X7R	9JR6500000036
C236	065T060310412K Y	CAP CHIP 0603 0.1UF K 16V X7R	9JR6500000036
C238	065T060310412K Y	CAP CHIP 0603 0.1UF K 16V X7R	9JR6500000036
C239	065T060310412K Y	CAP CHIP 0603 0.1UF K 16V X7R	9JR6500000036

C240	065T060310412K	Y	CAP CHIP 0603 0.1UF K 16V X7R	9JR6500000036
C241	065T060310412K	Y	CAP CHIP 0603 0.1UF K 16V X7R	9JR6500000036
C242	065T060310412K	Y	CAP CHIP 0603 0.1UF K 16V X7R	9JR6500000036
C243	065T060310412K	Y	CAP CHIP 0603 0.1UF K 16V X7R	9JR6500000036
C244	065T040210412K	Y	CAP CHIP 0402 100N 16V X7R +/-10%	9JR6500000014
C245	065T060310412K	Y	CAP CHIP 0603 0.1UF K 16V X7R	9JR6500000036
C246	065T060310412K	Y	CAP CHIP 0603 0.1UF K 16V X7R	9JR6500000036
C247	065T060310412K	Y	CAP CHIP 0603 0.1UF K 16V X7R	9JR6500000036
C248	065T060310412K	Y	CAP CHIP 0603 0.1UF K 16V X7R	9JR6500000036
C249	065T060310412K	Y	CAP CHIP 0603 0.1UF K 16V X7R	9JR6500000036
C251	065T060310512K	3	MLCC 0603 CAP 1uF K 16V X7R	9JR6500000043
C252	065T040210505K	3	CAP CHIP 0402 1UF 6V3 X5R +/-10%	9JR6500000117
C254	065T060310512K	3	MLCC 0603 CAP 1uF K 16V X7R	9JR6500000043
C255	065T0805475A2K	3	CAP CHIP 4.7UF 10V X7R +/- 10%	9JR6500000092
C256	065T060310512K	3	MLCC 0603 CAP 1uF K 16V X7R	9JR6500000043
C258	065T040210412K	Y	CAP CHIP 0402 100N 16V X7R +/-10%	9JR6500000014
C259	065T040210412K	Y	CAP CHIP 0402 100N 16V X7R +/-10%	9JR6500000014
C260	065T040210412K	Y	CAP CHIP 0402 100N 16V X7R +/-10%	9JR6500000014
C261	065T040210412K	Y	CAP CHIP 0402 100N 16V X7R +/-10%	9JR6500000014
C262	065T040210412K	Y	CAP CHIP 0402 100N 16V X7R +/-10%	9JR6500000014
C263	065T040210412K	Y	CAP CHIP 0402 100N 16V X7R +/-10%	9JR6500000014
C264	065T040210412K	Y	CAP CHIP 0402 100N 16V X7R +/-10%	9JR6500000014
C265	065T040210412K	Y	CAP CHIP 0402 100N 16V X7R +/-10%	9JR6500000014
C266	065T040210412K	Y	CAP CHIP 0402 100N 16V X7R +/-10%	9JR6500000014
C267	065T040210412K	Y	CAP CHIP 0402 100N 16V X7R +/-10%	9JR6500000014
C268	065T040210412K	Y	CAP CHIP 0402 100N 16V X7R +/-10%	9JR6500000014
C269	065T040210412K	Y	CAP CHIP 0402 100N 16V X7R +/-10%	9JR6500000014
C270	065T040210412K	Y	CAP CHIP 0402 100N 16V X7R +/-10%	9JR6500000014
C271	065T040210412K	Y	CAP CHIP 0402 100N 16V X7R +/-10%	9JR6500000014
C272	065T040210412K	Y	CAP CHIP 0402 100N 16V X7R +/-10%	9JR6500000014
C273	065T040210412K	Y	CAP CHIP 0402 100N 16V X7R +/-10%	9JR6500000014
C274	065T060310512K	3	MLCC 0603 CAP 1uF K 16V X7R	9JR6500000043
C275	065T0805475A2K	3	CAP CHIP 4.7UF 10V X7R +/- 10%	9JR6500000092
C276	065T0805475A2K	3	CAP CHIP 4.7UF 10V X7R +/- 10%	9JR6500000092
C277	065T060310512K	3	MLCC 0603 CAP 1uF K 16V X7R	9JR6500000043
C278	065T060310412K	Y	CAP CHIP 0603 0.1UF K 16V X7R	9JR6500000036
C279	065T060322412K	Y	CAP CHIP 0603 0.22UF K 16V X7R	9JR6500000137
C280	065T0805106A7Z	Y	CAP CHIP 0805 10UF Z 10V Y5V	9JR6500000077
C281	065T0805106A7Z	Y	CAP CHIP 0805 10UF Z 10V Y5V	9JR6500000077
C282	065T040210031J	3	CAP CHIP 0402 10P 50V NPO +/-5%	9JR6500000116
C283	065T0805106A7Z	Y	CAP CHIP 0805 10UF Z 10V Y5V	9JR6500000077
C284	065T060322412K	Y	CAP CHIP 0603 0.22UF K 16V X7R	9JR6500000137
C285	065T060347312K	Y	CAP CHIP 0603 47N 16V X7R +/-10%	9JR6500000059
C286	065T040227031J	3	CAP CHIP 0402 27P 50V NPO +/-5%	9JR6500000119
C287	065T040210232K	Y	CAP CHIP 0402 1N 50V X7R +/-10%	9JR6500000009
C290	065T060322412K	Y	CAP CHIP 0603 0.22UF K 16V X7R	9JR6500000137
C292	065T060310412K	Y	CAP CHIP 0603 0.1UF K 16V X7R	9JR6500000036
C293	065T060310412K	Y	CAP CHIP 0603 0.1UF K 16V X7R	9JR6500000036
C302	065T040210412K	Y	CAP CHIP 0402 100N 16V X7R +/-10%	9JR6500000014
C303	065T040210412K	Y	CAP CHIP 0402 100N 16V X7R +/-10%	9JR6500000014
C304	065T060310031J	Y	MLCC 0603 10PF J 50V NPO	9JR6500000025
C305	065T060310031J	Y	MLCC 0603 10PF J 50V NPO	9JR6500000025
C306	065T040210412K	Y	CAP CHIP 0402 100N 16V X7R +/-10%	9JR6500000014
C307	065T040210412K	Y	CAP CHIP 0402 100N 16V X7R +/-10%	9JR6500000014
C308	065T060310221J	Y	CAP CHIP 0603 1NF J 25V MPO	9JR6500000027
C309	065T060310512K	3	MLCC 0603 CAP 1uF K 16V X7R	9JR6500000043
C310	065T060310512K	3	MLCC 0603 CAP 1uF K 16V X7R	9JR6500000043
C311	065T060310512K	3	MLCC 0603 CAP 1uF K 16V X7R	9JR6500000043
C318	065T040210412K	Y	CAP CHIP 0402 100N 16V X7R +/-10%	9JR6500000014
C319	065T0805475A2K	3	CAP CHIP 4.7UF 10V X7R +/- 10%	9JR6500000092
C321	067T 3111013ET		EC 100uF 16V VEL 6.3x5.5mm	9JR6700000069
C322	065T060310512K	3	MLCC 0603 CAP 1uF K 16V X7R	9JR6500000043
C323	065T0805475A2K	3	CAP CHIP 4.7UF 10V X7R +/- 10%	9JR6500000092
C324	065T040210412K	Y	CAP CHIP 0402 100N 16V X7R +/-10%	9JR6500000014
C325	065T040210312K	Y	CAP CHIP 0402 10N 16V X7R +/-10%	9JR6500000011
C326	065T0805475A2K	3	CAP CHIP 4.7UF 10V X7R +/- 10%	9JR6500000092
C327	065T040210412K	Y	CAP CHIP 0402 100N 16V X7R +/-10%	9JR6500000014
C329	065T060310512K	3	MLCC 0603 CAP 1uF K 16V X7R	9JR6500000043
C330	065T040210412K	Y	CAP CHIP 0402 100N 16V X7R +/-10%	9JR6500000014
C350	067T511F1013CT		EC SMD 100U 16V MV 6.3x7.7mm	9JR6700000094
C351	065T0805475A2K	3	CAP CHIP 4.7UF 10V X7R +/- 10%	9JR6500000092
C352	065T060310512K	3	MLCC 0603 CAP 1uF K 16V X7R	9JR6500000043
C353	065T040210412K	Y	CAP CHIP 0402 100N 16V X7R +/-10%	9JR6500000014
C354	065T040210412K	Y	CAP CHIP 0402 100N 16V X7R +/-10%	9JR6500000014

LC-26SB25E/S/RU, LC-32SB25E/S/RU, LC-42SB55E/S/RU

C355	065T040210412K	Y	CAP CHIP 0402 100N 16V X7R +/-10%	9JR650000014
C356	065T040210412K	Y	CAP CHIP 0402 100N 16V X7R +/-10%	9JR650000014
C357	065T040210412K	Y	CAP CHIP 0402 100N 16V X7R +/-10%	9JR650000014
C358	065T060310512K	3	MLCC 0603 CAP 1uF K 16V X7R	9JR650000043
C359	065T040210412K	Y	CAP CHIP 0402 100N 16V X7R +/-10%	9JR650000014
C360	065T040210412K	Y	CAP CHIP 0402 100N 16V X7R +/-10%	9JR650000014
C361	065T040210412K	Y	CAP CHIP 0402 100N 16V X7R +/-10%	9JR650000014
C362	065T0805475A2K	3	CAP CHIP 4.7UF 10V X7R +/- 10%	9JR650000092
C363	065T0805475A2K	3	CAP CHIP 4.7UF 10V X7R +/- 10%	9JR650000092
C364	065T060310512K	3	MLCC 0603 CAP 1uF K 16V X7R	9JR650000043
C365	065T040210412K	Y	CAP CHIP 0402 100N 16V X7R +/-10%	9JR650000014
C366	065T040210412K	Y	CAP CHIP 0402 100N 16V X7R +/-10%	9JR650000014
C367	065T040210412K	Y	CAP CHIP 0402 100N 16V X7R +/-10%	9JR650000014
C368	065T040210412K	Y	CAP CHIP 0402 100N 16V X7R +/-10%	9JR650000014
C369	067T 3111013ET		EC 100uF 16V VEL 6.3x5.5mm	9JR670000069
C370	065T040210412K	Y	CAP CHIP 0402 100N 16V X7R +/-10%	9JR650000014
C371	065T060310512K	3	MLCC 0603 CAP 1uF K 16V X7R	9JR650000043
C372	067T 3051013LT		EC 100uF 16V RGA 6.3x11mm	9JR670000059
C373	065T040210412K	Y	CAP CHIP 0402 100N 16V X7R +/-10%	9JR650000014
C374	065T040210412K	Y	CAP CHIP 0402 100N 16V X7R +/-10%	9JR650000014
C375	065T040210412K	Y	CAP CHIP 0402 100N 16V X7R +/-10%	9JR650000014
C376	065T040210412K	Y	CAP CHIP 0402 100N 16V X7R +/-10%	9JR650000014
C377	065T040210412K	Y	CAP CHIP 0402 100N 16V X7R +/-10%	9JR650000014
C378	065T040210412K	Y	CAP CHIP 0402 100N 16V X7R +/-10%	9JR650000014
C379	065T0805475A2K	3	CAP CHIP 4.7UF 10V X7R +/- 10%	9JR650000092
C380	065T040210412K	Y	CAP CHIP 0402 100N 16V X7R +/-10%	9JR650000014
C381	065T040210412K	Y	CAP CHIP 0402 100N 16V X7R +/-10%	9JR650000014
C382	065T040210412K	Y	CAP CHIP 0402 100N 16V X7R +/-10%	9JR650000014
C383	065T040210412K	Y	CAP CHIP 0402 100N 16V X7R +/-10%	9JR650000014
C384	065T040210412K	Y	CAP CHIP 0402 100N 16V X7R +/-10%	9JR650000014
C385	065T0805475A2K	3	CAP CHIP 4.7UF 10V X7R +/- 10%	9JR650000092
C386	065T040210412K	Y	CAP CHIP 0402 100N 16V X7R +/-10%	9JR650000014
C390	065T060310412K	Y	CAP CHIP 0603 0.1UF K 16V X7R	9JR650000036
C393	065T060310437Z	Y	CAP CHIP 0603 0.1UF Z 50V Y5V	9JR650000038
C395	065T060310437Z	Y	CAP CHIP 0603 0.1UF Z 50V Y5V	9JR650000038
C396	065T060310437Z	Y	CAP CHIP 0603 0.1UF Z 50V Y5V	9JR650000038
C397	065T060310437Z	Y	CAP CHIP 0603 0.1UF Z 50V Y5V	9JR650000038
C398	065T060310437Z	Y	CAP CHIP 0603 0.1UF Z 50V Y5V	9JR650000038
C400	065T040227031J	3	CAP CHIP 0402 27P 50V NPO +/-5%	9JR6500000119
C401	065T040227031J	3	CAP CHIP 0402 27P 50V NPO +/-5%	9JR6500000119
C402	065T0805106A7Z	Y	CAP CHIP 0805 10UF Z 10V Y5V	9JR650000077
C403	065T060310412K	Y	CAP CHIP 0603 0.1UF K 16V X7R	9JR650000036
C404	065T0805106A7Z	Y	CAP CHIP 0805 10UF Z 10V Y5V	9JR650000077
C405	065T0805106A7Z	Y	CAP CHIP 0805 10UF Z 10V Y5V	9JR650000077
C406	065T0805106A7Z	Y	CAP CHIP 0805 10UF Z 10V Y5V	9JR650000077
C407	065T0805106A7Z	Y	CAP CHIP 0805 10UF Z 10V Y5V	9JR650000077
C408	065T060310412K	Y	CAP CHIP 0603 0.1UF K 16V X7R	9JR650000036
C409	065T060310412K	Y	CAP CHIP 0603 0.1UF K 16V X7R	9JR650000036
C410	065T060310412K	Y	CAP CHIP 0603 0.1UF K 16V X7R	9JR650000036
C411	065T060310412K	Y	CAP CHIP 0603 0.1UF K 16V X7R	9JR650000036
C412	065T060310412K	Y	CAP CHIP 0603 0.1UF K 16V X7R	9JR650000036
C413	065T060310412K	Y	CAP CHIP 0603 0.1UF K 16V X7R	9JR650000036
C414	065T0805106A7Z	Y	CAP CHIP 0805 10UF Z 10V Y5V	9JR650000077
C415	065T0805106A7Z	Y	CAP CHIP 0805 10UF Z 10V Y5V	9JR650000077
C416	065T060310412K	Y	CAP CHIP 0603 0.1UF K 16V X7R	9JR650000036
C417	065T060310412K	Y	CAP CHIP 0603 0.1UF K 16V X7R	9JR650000036
C418	065T0805106A7Z	Y	CAP CHIP 0805 10UF Z 10V Y5V	9JR650000077
C419	065T060310512K	3	MLCC 0603 CAP 1uF K 16V X7R	9JR650000043
C420	065T060310412K	Y	CAP CHIP 0603 0.1UF K 16V X7R	9JR650000036
C421	065T0805106A7Z	Y	CAP CHIP 0805 10UF Z 10V Y5V	9JR650000077
C422	065T060310512K	3	MLCC 0603 CAP 1uF K 16V X7R	9JR650000043
C423	065T060310412K	Y	CAP CHIP 0603 0.1UF K 16V X7R	9JR650000036
C424	065T060310031J	Y	MLCC 0603 10PF J 50V NPO	9JR650000025
C425	065T060310412K	Y	CAP CHIP 0603 0.1UF K 16V X7R	9JR650000036
C427	065T0805106A7Z	Y	CAP CHIP 0805 10UF Z 10V Y5V	9JR650000077
C428	065T0805106A7Z	Y	CAP CHIP 0805 10UF Z 10V Y5V	9JR650000077
C429	065T0805106A7Z	Y	CAP CHIP 0805 10UF Z 10V Y5V	9JR650000077
C430	065T0805106A7Z	Y	CAP CHIP 0805 10UF Z 10V Y5V	9JR650000077
C431	065T060310031J	Y	MLCC 0603 10PF J 50V NPO	9JR650000025
C432	065T060310412K	Y	CAP CHIP 0603 0.1UF K 16V X7R	9JR650000036
C433	065T060310412K	Y	CAP CHIP 0603 0.1UF K 16V X7R	9JR650000036
C434	065T060310031J	Y	MLCC 0603 10PF J 50V NPO	9JR650000025
C435	065T060310031J	Y	MLCC 0603 10PF J 50V NPO	9JR650000025
C436	065T060310031J	Y	MLCC 0603 10PF J 50V NPO	9JR650000025

C437	065T060310031J	Y	MLCC 0603 10PF J 50V NPO	9JR6500000025
C438	065T060310031J	Y	MLCC 0603 10PF J 50V NPO	9JR6500000025
C439	065T060310031J	Y	MLCC 0603 10PF J 50V NPO	9JR6500000025
C500	067T 3114703ET		EC SMD 47uF 16V VEJ 6.3x5.3mm	9JR6700000073
C501	067T 3114713ET		EC 470uF 16V RVJ 8x10mm	9JR6700000076
C502	065T060310412K	Y	CAP CHIP 0603 0.1UF K 16V X7R	9JR6500000036
C503	065T040210312K	Y	CAP CHIP 0402 10N 16V X7R +/-10%	9JR6500000011
C504	065T040247312K	3	CHIP CAP 47N 16V X7R 10%	9JR6500000125
C505	065T040210312K	Y	CAP CHIP 0402 10N 16V X7R +/-10%	9JR6500000011
C506	065T040215031J	3	CAP CHIP 0402 15P 50V NPO +/-5%	9JR6500000015
C507	065T040210312K	Y	CAP CHIP 0402 10N 16V X7R +/-10%	9JR6500000011
C508	065T040215031J	3	CAP CHIP 0402 15P 50V NPO +/-5%	9JR6500000015
C509	065T040210312K	Y	CAP CHIP 0402 10N 16V X7R +/-10%	9JR6500000011
C510	065T040215031J	3	CAP CHIP 0402 15P 50V NPO +/-5%	9JR6500000015
C511	065T040210312K	Y	CAP CHIP 0402 10N 16V X7R +/-10%	9JR6500000011
C512	065T0805106A7Z	Y	CAP CHIP 0805 10UF Z 10V Y5V	9JR6500000077
C513	065T0805106A7Z	Y	CAP CHIP 0805 10UF Z 10V Y5V	9JR6500000077
C514	065T040247312K	3	CHIP CAP 47N 16V X7R 10%	9JR6500000125
C515	065T0805106A7Z	Y	CAP CHIP 0805 10UF Z 10V Y5V	9JR6500000077
C516	065T0805106A7Z	Y	CAP CHIP 0805 10UF Z 10V Y5V	9JR6500000077
C517	065T040215031J	3	CAP CHIP 0402 15P 50V NPO +/-5%	9JR6500000015
C518	065T060347031J	Y	CAP CHIP 0603 47PF J 50V NPO	9JR6500000055
C519	065T040210505K	3	CAP CHIP 0402 1UF 6V3 X5R +/-10%	9JR6500000117
C520	065T040247312K	3	CHIP CAP 47N 16V X7R 10%	9JR6500000125
C521	065T060347031J	Y	CAP CHIP 0603 47PF J 50V NPO	9JR6500000055
C522	065T040210505K	3	CAP CHIP 0402 1UF 6V3 X5R +/-10%	9JR6500000117
C523	065T040247312K	3	CHIP CAP 47N 16V X7R 10%	9JR6500000125
C541	065T060322031J	Y	CAP CHIP 0603 22PF J 50V NPO	9JR6500000134
C542	065T060310131J	Y	CAP CHIP 0603 100PF J 50V NPO	9JR6500000130
C546	065T080510617Z	3	CAP CHIP 0805 10U 16V Y5V -20~+80%	9JR6500000146
C547	065T080510617Z	3	CAP CHIP 0805 10U 16V Y5V -20~+80%	9JR6500000146
C550	065T040210412K	Y	CAP CHIP 0402 100N 16V X7R +/-10%	9JR6500000014
C551	065T080510512K	Y	CAP CHIP 0805 1UF K 16V X7R	9JR6500000075
C552	065T0805475A2K	3	CAP CHIP 4.7UF 10V X7R +/- 10%	9JR6500000092
C553	065T040210412K	Y	CAP CHIP 0402 100N 16V X7R +/-10%	9JR6500000014
C554	065T080510512K	Y	CAP CHIP 0805 1UF K 16V X7R	9JR6500000075
C555	065T0805475A2K	3	CAP CHIP 4.7UF 10V X7R +/- 10%	9JR6500000092
C556	065T080510512K	Y	CAP CHIP 0805 1UF K 16V X7R	9JR6500000075
C557	065T0805475A2K	3	CAP CHIP 4.7UF 10V X7R +/- 10%	9JR6500000092
C558	065T040210412K	Y	CAP CHIP 0402 100N 16V X7R +/-10%	9JR6500000014
C559	065T040210232K	Y	CAP CHIP 0402 1N 50V X7R +/-10%	9JR6500000009
C560	065T040210312K	Y	CAP CHIP 0402 10N 16V X7R +/-10%	9JR6500000011
C561	065T040210312K	Y	CAP CHIP 0402 10N 16V X7R +/-10%	9JR6500000011
C562	065T060310412K	Y	CAP CHIP 0603 0.1UF K 16V X7R	9JR6500000036
C563	065T040250931D	3	CAP CHIP 0402 5PF 50V NPO +/-0.5pF	9JR6500000127
C564	065T040215031J	3	CAP CHIP 0402 15P 50V NPO +/-5%	9JR6500000015
C565	065T040210312K	Y	CAP CHIP 0402 10N 16V X7R +/-10%	9JR6500000011
C567	065T040250931D	3	CAP CHIP 0402 5PF 50V NPO +/-0.5pF	9JR6500000127
C568	065T040210312K	Y	CAP CHIP 0402 10N 16V X7R +/-10%	9JR6500000011
C569	065T040215031J	3	CAP CHIP 0402 15P 50V NPO +/-5%	9JR6500000015
C570	065T060310412K	Y	CAP CHIP 0603 0.1UF K 16V X7R	9JR6500000036
C571	065T060322517Z	Y	CAP CHIP 0603 2.2UF Z 16V Y5V	9JR6500000138
C572	065T040210312K	Y	CAP CHIP 0402 10N 16V X7R +/-10%	9JR6500000011
C573	065T060310131J	Y	CAP CHIP 0603 100PF J 50V NPO	9JR6500000130
C574	065T040215031J	3	CAP CHIP 0402 15P 50V NPO +/-5%	9JR6500000015
C575	065T060322517Z	Y	CAP CHIP 0603 2.2UF Z 16V Y5V	9JR6500000138
C576	065T040210312K	Y	CAP CHIP 0402 10N 16V X7R +/-10%	9JR6500000011
C577	065T0805106A7Z	Y	CAP CHIP 0805 10UF Z 10V Y5V	9JR6500000077
C580	065T080510617Z	3	CAP CHIP 0805 10U 16V Y5V -20~+80%	9JR6500000146
C581	065T0805106A7Z	Y	CAP CHIP 0805 10UF Z 10V Y5V	9JR6500000077
C582	065T080510617Z	3	CAP CHIP 0805 10U 16V Y5V -20~+80%	9JR6500000146
C585	065T060310131J	Y	CAP CHIP 0603 100PF J 50V NPO	9JR6500000130
C587	065T040210312K	Y	CAP CHIP 0402 10N 16V X7R +/-10%	9JR6500000011
C588	065T040215031J	3	CAP CHIP 0402 15P 50V NPO +/-5%	9JR6500000015
C589	065T040215031J	3	CAP CHIP 0402 15P 50V NPO +/-5%	9JR6500000015
C590	065T040210312K	Y	CAP CHIP 0402 10N 16V X7R +/-10%	9JR6500000011
C591	065T0805106A7Z	Y	CAP CHIP 0805 10UF Z 10V Y5V	9JR6500000077
C592	065T040210312K	Y	CAP CHIP 0402 10N 16V X7R +/-10%	9JR6500000011
C593	065T040210312K	Y	CAP CHIP 0402 10N 16V X7R +/-10%	9JR6500000011
C596	065T040210312K	Y	CAP CHIP 0402 10N 16V X7R +/-10%	9JR6500000011
C597	065T040210312K	Y	CAP CHIP 0402 10N 16V X7R +/-10%	9JR6500000011
C598	065T040215031J	3	CAP CHIP 0402 15P 50V NPO +/-5%	9JR6500000015
C599	065T0805106A7Z	Y	CAP CHIP 0805 10UF Z 10V Y5V	9JR6500000077
C600	065T040210412K	Y	CAP CHIP 0402 100N 16V X7R +/-10%	9JR6500000014

LC-26SB25E/S/RU, LC-32SB25E/S/RU, LC-42SB55E/S/RU

C601	065T0805475A2K 3	CAP CHIP 4.7UF 10V X7R +/- 10%	9JR6500000092
C602	065T040210412K Y	CAP CHIP 0402 100N 16V X7R +/-10%	9JR6500000014
C603	065T060310512K 3	MLCC 0603 CAP 1uF K 16V X7R	9JR6500000043
C604	065T0805475A2K 3	CAP CHIP 4.7UF 10V X7R +/- 10%	9JR6500000092
C605	065T040210412K Y	CAP CHIP 0402 100N 16V X7R +/-10%	9JR6500000014
C606	065T060310512K 3	MLCC 0603 CAP 1uF K 16V X7R	9JR6500000043
C607	065T0805475A2K 3	CAP CHIP 4.7UF 10V X7R +/- 10%	9JR6500000092
C608	065T040210412K Y	CAP CHIP 0402 100N 16V X7R +/-10%	9JR6500000014
C609	065T060310512K 3	MLCC 0603 CAP 1uF K 16V X7R	9JR6500000043
C610	065T0805475A2K 3	CAP CHIP 4.7UF 10V X7R +/- 10%	9JR6500000092
C611	065T060310512K 3	MLCC 0603 CAP 1uF K 16V X7R	9JR6500000043
C612	065T0805475A2K 3	CAP CHIP 4.7UF 10V X7R +/- 10%	9JR6500000092
C613	065T040210412K Y	CAP CHIP 0402 100N 16V X7R +/-10%	9JR6500000014
C614	067T511F1013CT	EC SMD 100U 16V MV 6.3x7.7mm	9JR6700000094
C615	065T060310512K 3	MLCC 0603 CAP 1uF K 16V X7R	9JR6500000043
C616	065T0805475A2K 3	CAP CHIP 4.7UF 10V X7R +/- 10%	9JR6500000092
C617	065T040210412K Y	CAP CHIP 0402 100N 16V X7R +/-10%	9JR6500000014
C618	065T060310412K Y	CAP CHIP 0603 0.1UF K 16V X7R	9JR6500000036
C619	067T511F1004CT	EC SMD 10U 25V MV 4x5.5mm	9JR6700000093
C620	065T040210412K Y	CAP CHIP 0402 100N 16V X7R +/-10%	9JR6500000014
C621	065T080547412K 3	CAP CHIP 0805 470N 16V X7R +/-10%	9JR6500000088
C622	067T215D1017KT	EC CAP 100uF 50V 8*12mm	9JR6700000086
C623	067T305L471 7C	EC 470uF 50V KM 10x25mm	9JR6700000091
C624	067T 3052214CT	EC 220UF/25V KM 8*11mm	9JR6700000061
C625	065T120647432K 3	CAP CHIP 470N 50V X7R +/- 10%	9JR6500000160
C626	065T0603474A7Z Y	CAP CHIP 0603 470N 10V Y5V -20%+80%	9JR6500000140
C627	065T040233132K 3	CAP CHIP 0402 330P 50V X7R +/-10%	9JR6500000121
C628	065T060310437Z Y	CAP CHIP 0603 0.1UF Z 50V Y5V	9JR6500000038
C629	065T060310437Z Y	CAP CHIP 0603 0.1UF Z 50V Y5V	9JR6500000038
C630	067T215A471 4C	EC 470uF 25V GF 10x16mm	9JR6700000084
C631	065T0603474A7Z Y	CAP CHIP 0603 470N 10V Y5V -20%+80%	9JR6500000140
C632	065T060347131J Y	CAP CHIP 0603 470PF J 50V NPO	9JR6500000057
C633	065T060315332K Y	CAP CHIP 0603 15NF K 50V X7R	9JR6500000132
C634	065T060310437Z Y	CAP CHIP 0603 0.1UF Z 50V Y5V	9JR6500000038
C635	065T120647432K 3	CAP CHIP 470N 50V X7R +/- 10%	9JR6500000160
C636	065T060310437Z Y	CAP CHIP 0603 0.1UF Z 50V Y5V	9JR6500000038
C637	065T060310437Z Y	CAP CHIP 0603 0.1UF Z 50V Y5V	9JR6500000038
C638	065T060315332K Y	CAP CHIP 0603 15NF K 50V X7R	9JR6500000132
C639	065T060310437Z Y	CAP CHIP 0603 0.1UF Z 50V Y5V	9JR6500000038
C640	065T120647432K 3	CAP CHIP 470N 50V X7R +/- 10%	9JR6500000160
C641	065T060310437Z Y	CAP CHIP 0603 0.1UF Z 50V Y5V	9JR6500000038
C642	067T215L4704CT	EC 47UF 25V KH 5x11 life 3000HR	9JR6700000089
C643	065T060347131J Y	CAP CHIP 0603 470PF J 50V NPO	9JR6500000057
C644	065T060310437Z Y	CAP CHIP 0603 0.1UF Z 50V Y5V	9JR6500000038
C645	065T0603474A7Z Y	CAP CHIP 0603 470N 10V Y5V -20%+80%	9JR6500000140
C646	065T040233132K 3	CAP CHIP 0402 330P 50V X7R +/-10%	9JR6500000121
C647	065T060310437Z Y	CAP CHIP 0603 0.1UF Z 50V Y5V	9JR6500000038
C648	065T060310437Z Y	CAP CHIP 0603 0.1UF Z 50V Y5V	9JR6500000038
C649	065T060310437Z Y	CAP CHIP 0603 0.1UF Z 50V Y5V	9JR6500000038
C650	065T0805106A7Z Y	CAP CHIP 0805 10UF Z 10V Y5V	9JR6500000077
C651	065T080510617Z 3	CAP CHIP 0805 10U 16V Y5V -20~+80%	9JR6500000146
C652	065T0805106A7Z Y	CAP CHIP 0805 10UF Z 10V Y5V	9JR6500000077
C653	065T0805475A2K 3	CAP CHIP 4.7UF 10V X7R +/- 10%	9JR6500000092
C654	065T040210412K Y	CAP CHIP 0402 100N 16V X7R +/-10%	9JR6500000014
C655	065T080510617Z 3	CAP CHIP 0805 10U 16V Y5V -20~+80%	9JR6500000146
C656	065T080510617Z 3	CAP CHIP 0805 10U 16V Y5V -20~+80%	9JR6500000146
C657	065T040210412K Y	CAP CHIP 0402 100N 16V X7R +/-10%	9JR6500000014
C658	065T060310512K 3	MLCC 0603 CAP 1uF K 16V X7R	9JR6500000043
C659	065T0805475A2K 3	CAP CHIP 4.7UF 10V X7R +/- 10%	9JR6500000092
C660	065T040210412K Y	CAP CHIP 0402 100N 16V X7R +/-10%	9JR6500000014
C661	065T060310512K 3	MLCC 0603 CAP 1uF K 16V X7R	9JR6500000043
C662	065T0805475A2K 3	CAP CHIP 4.7UF 10V X7R +/- 10%	9JR6500000092
C663	065T040210412K Y	CAP CHIP 0402 100N 16V X7R +/-10%	9JR6500000014
C664	065T040247312K 3	CHIP CAP 47N 16V X7R 10%	9JR6500000125
C665	065T060347031J Y	CAP CHIP 0603 47PF J 50V NPO	9JR6500000055
C666	065T040210412K Y	CAP CHIP 0402 100N 16V X7R +/-10%	9JR6500000014
C667	065T060310512K 3	MLCC 0603 CAP 1uF K 16V X7R	9JR6500000043
C668	065T0805475A2K 3	CAP CHIP 4.7UF 10V X7R +/- 10%	9JR6500000092
C669	065T040210412K Y	CAP CHIP 0402 100N 16V X7R +/-10%	9JR6500000014
C670	065T060310512K 3	MLCC 0603 CAP 1uF K 16V X7R	9JR6500000043
C671	065T0805475A2K 3	CAP CHIP 4.7UF 10V X7R +/- 10%	9JR6500000092
C672	065T0805106A7Z Y	CAP CHIP 0805 10UF Z 10V Y5V	9JR6500000077
C674	065T0805106A7Z Y	CAP CHIP 0805 10UF Z 10V Y5V	9JR6500000077
C676	065T040247312K 3	CHIP CAP 47N 16V X7R 10%	9JR6500000125

C677	065T060347031J Y	CAP CHIP 0603 47PF J 50V NPO	9JR6500000055
C678	065T040210412K Y	CAP CHIP 0402 100N 16V X7R +/-10%	9JR6500000014
C679	065T060310412K Y	CAP CHIP 0603 0.1UF K 16V X7R	9JR6500000036
C680	065T040247312K 3	CHIP CAP 47N 16V X7R 10%	9JR6500000125
C681	065T060333031J Y	CAP CHIP 0603 33PF J 50V NPO	9JR6500000049
C682	065T060347031J Y	CAP CHIP 0603 47PF J 50V NPO	9JR6500000055
C683	065T040210412K Y	CAP CHIP 0402 100N 16V X7R +/-10%	9JR6500000014
C684	067T215A471 4C	EC 470uF 25V GF 10x16mm	9JR6700000084
C685	065T0603474A7Z Y	CAP CHIP 0603 470N 10V Y5V -20%+80%	9JR6500000140
C686	065T040210412K Y	CAP CHIP 0402 100N 16V X7R +/-10%	9JR6500000014
C687	065T040210412K Y	CAP CHIP 0402 100N 16V X7R +/-10%	9JR6500000014
C688	067T 3111097ET	EC SMD 1uF 50V VEJ 4x5.5mm	9JR6700000070
C689	065T0805475A7Z Y	CAP CHIP 4.7UF 10V Y5V -20%~+80%	9JR6500000097
C690	065T060368232K Y	CAP CHIP 0603 6800PF K 50V X7R	9JR6500000142
C691	065T060368232K Y	CAP CHIP 0603 6800PF K 50V X7R	9JR6500000142
C692	065T060310131J Y	CAP CHIP 0603 100PF J 50V NPO	9JR6500000130
C693	067T 3111003ET	EC SMD 10uF 16V VEJ 4x5.3mm	9JR6700000067
C696	067T 3052213CT	EC 220uF 16V KM 8x12mm	9JR6700000022
C697	065T060310131J Y	CAP CHIP 0603 100PF J 50V NPO	9JR6500000130
C698	067T 3052213CT	EC 220uF 16V KM 8x12mm	9JR6700000022
C700	065T040210412K Y	CAP CHIP 0402 100N 16V X7R +/-10%	9JR6500000014
C701	065T0805475A2K 3	CAP CHIP 4.7UF 10V X7R +/- 10%	9JR6500000092
C702	065T060310512K 3	MLCC 0603 CAP 1uF K 16V X7R	9JR6500000043
C703	065T0805475A2K 3	CAP CHIP 4.7UF 10V X7R +/- 10%	9JR6500000092
C704	065T060310512K 3	MLCC 0603 CAP 1uF K 16V X7R	9JR6500000043
C705	067T 3111097ET	EC SMD 1uF 50V VEJ 4x5.5mm	9JR6700000070
C706	065T040210412K Y	CAP CHIP 0402 100N 16V X7R +/-10%	9JR6500000014
C707	067T 3052213CT	EC 220uF 16V KM 8x12mm	9JR6700000022
C708	065T040210412K Y	CAP CHIP 0402 100N 16V X7R +/-10%	9JR6500000014
C709	065T040210312K Y	CAP CHIP 0402 10N 16V X7R +/-10%	9JR6500000011
C710	065T060310332K Y	CAP CHIP 0603 10NF K 50V X7R	9JR6500000031
C711	065T040210412K Y	CAP CHIP 0402 100N 16V X7R +/-10%	9JR6500000014
C712	065T060310332K Y	CAP CHIP 0603 10NF K 50V X7R	9JR6500000031
C713	065T040210312K Y	CAP CHIP 0402 10N 16V X7R +/-10%	9JR6500000011
C714	065T040210412K Y	CAP CHIP 0402 100N 16V X7R +/-10%	9JR6500000014
C715	065T040210412K Y	CAP CHIP 0402 100N 16V X7R +/-10%	9JR6500000014
C716	065T040210412K Y	CAP CHIP 0402 100N 16V X7R +/-10%	9JR6500000014
C717	065T040210412K Y	CAP CHIP 0402 100N 16V X7R +/-10%	9JR6500000014
C718	065T040210412K Y	CAP CHIP 0402 100N 16V X7R +/-10%	9JR6500000014
C719	065T040210312K Y	CAP CHIP 0402 10N 16V X7R +/-10%	9JR6500000011
C721	065T040210412K Y	CAP CHIP 0402 100N 16V X7R +/-10%	9JR6500000014
C722	065T040210412K Y	CAP CHIP 0402 100N 16V X7R +/-10%	9JR6500000014
C750	065T040210412K Y	CAP CHIP 0402 100N 16V X7R +/-10%	9JR6500000014
C751	065T060310412K Y	CAP CHIP 0603 0.1UF K 16V X7R	9JR6500000036
C752	067T 3114704ET	EC SMD 47U 25V VGA 6.3x5.7mm	9JR6700000074
C753	065T060310512K 3	MLCC 0603 CAP 1uF K 16V X7R	9JR6500000043
C754	065T0805475A2K 3	CAP CHIP 4.7UF 10V X7R +/- 10%	9JR6500000092
C755	065T040210412K Y	CAP CHIP 0402 100N 16V X7R +/-10%	9JR6500000014
C756	067T511F1013CT	EC SMD 100U 16V MV 6.3x7.7mm	9JR6700000094
C757	065T060310512K 3	MLCC 0603 CAP 1uF K 16V X7R	9JR6500000043
C758	065T040210412K Y	CAP CHIP 0402 100N 16V X7R +/-10%	9JR6500000014
CN100	033T380212B Y FP	WAFER 2.0mm 12P 67032	9JR3300000029
CN390	033T3802 4 X	CONNECTOR	9JR3300000020
CN391	033T3802 5 FP	CONNECTOR	9JR3300000023
CN392	033T3802 3E FP	WAFER 2.0MM 3P 63043	9JR3300000006
CN400	088T 500902 P	PCMCIA CONN. CPC-BTRCVDB0-S02-H	9JR8800000027
CN500	088T 35521U ST	SCART CONN. 21P V/T 2SC1504-000111	9JR8800000026
CN501	088T 35521U ST	SCART CONN. 21P V/T 2SC1504-000111	9JR8800000026
CN552	088T 78 13A36 YG	RCA JACK 1*3 G/B/L/R V/A RCA-346D-02	9JR8800000019
CN553	088T 78 13A35 YG	RCA JACK 1*3 W/R/B V/A RCA-346D-01	9JR8800000018
CN554	088T 35315FTNA	D-SUB CONN V 15P F (WITH SCREW UNLOCKED)	9JR8800000016
CN555	088T 302917 TN	PHONE JACK 3.5mm 3P V/T GREEN	9JR8800000011
CN556	088T 78 13A37 YG	RCA JACK 1*2 W/R V/A RCA-276D-01	9JR8800000020
CN600	033T3802 2B Y FP	WAFER 2.0mm 2P 67022	9JR3300000025
CN601	033T3802 3B Y FP	WAFER 2.0mm 3P 67023	9JR3300000026
CN602	088T 302912 TN	PHONE JACK 3.5mm 7P BLACK	9JR8800000024
CN650	088T 78 13A39 YG	S JACK + RCA JACK 1*3 Y/W/R RCA-333S-010	9JR8800000021
CN700	088T 340 19TNS	HDMI HEADER 19P 5300-519-441-72	9JR8800000014
CN701	088T 340 19TNR	HDMI HEADER 19P 5300-519-281-E1	9JR8800000013
CN702	088T 340 19TNS	HDMI HEADER 19P 5300-519-441-72	9JR8800000014
CN750	033T8033 40 FP	CON. V 2*20P M 1.25 SM 60949	9JR3300000014
D100	093T 60S906 T	DIODE 3A/40V SS3P4 DO-220AA	9JR9300000054
D101	093T 60S906 T	DIODE 3A/40V SS3P4 DO-220AA	9JR9300000054
D150	093T 6490452T	DIODE RGP15D DO-41	9JR9300000007

LC-26SB25E/S/RU, LC-32SB25E/S/RU, LC-42SB55E/S/RU

D151	093T 60S906 T	DIODE 3A/40V SS3P4 DO-220AA	9JR9300000054
D390	093T 64S522SEM	DIODE LL4148 SEMTECH	9JR9300000055
D391	093T 64 33	BAV99 SOT-23	9JR9300000044
D392	093T 64 33	BAV99 SOT-23	9JR9300000044
D500	093T 64S900 T	DIODE BAS316 SOT-323 PHILIPS	9JR9300000030
D501	093T 64S900 T	DIODE BAS316 SOT-323 PHILIPS	9JR9300000030
D502	093T 64S900 T	DIODE BAS316 SOT-323 PHILIPS	9JR9300000030
D503	093T 64S900 T	DIODE BAS316 SOT-323 PHILIPS	9JR9300000030
D504	093T 64S900 T	DIODE BAS316 SOT-323 PHILIPS	9JR9300000030
D505	093T 64S900 T	DIODE BAS316 SOT-323 PHILIPS	9JR9300000030
D506	093T 64S900 T	DIODE BAS316 SOT-323 PHILIPS	9JR9300000030
D507	093T 64S900 T	DIODE BAS316 SOT-323 PHILIPS	9JR9300000030
D508	093T 64S900 T	DIODE BAS316 SOT-323 PHILIPS	9JR9300000030
D509	093T 64S900 T	DIODE BAS316 SOT-323 PHILIPS	9JR9300000030
D510	093T 64S900 T	DIODE BAS316 SOT-323 PHILIPS	9JR9300000030
D511	093T 64S900 T	DIODE BAS316 SOT-323 PHILIPS	9JR9300000030
D512	093T 64S900 T	DIODE BAS316 SOT-323 PHILIPS	9JR9300000030
D553	093T 64S900 T	DIODE BAS316 SOT-323 PHILIPS	9JR9300000030
D554	093T 64S900 T	DIODE BAS316 SOT-323 PHILIPS	9JR9300000030
D555	093T 64S900 T	DIODE BAS316 SOT-323 PHILIPS	9JR9300000030
D556	093T 64S900 T	DIODE BAS316 SOT-323 PHILIPS	9JR9300000030
D557	093T 64S900 T	DIODE BAS316 SOT-323 PHILIPS	9JR9300000030
D560	093T 64S900 T	DIODE BAS316 SOT-323 PHILIPS	9JR9300000030
D561	093T 64S900 T	DIODE BAS316 SOT-323 PHILIPS	9JR9300000030
D562	093T 64S900 T	DIODE BAS316 SOT-323 PHILIPS	9JR9300000030
D563	093T 64S900 T	DIODE BAS316 SOT-323 PHILIPS	9JR9300000030
D564	093T 64S522SEM	DIODE LL4148 SEMTECH	9JR9300000055
D565	093T 64S522SEM	DIODE LL4148 SEMTECH	9JR9300000055
D566	093T 64S900 T	DIODE BAS316 SOT-323 PHILIPS	9JR9300000030
D567	093T 64S900 T	DIODE BAS316 SOT-323 PHILIPS	9JR9300000030
D568	093T 64S900 T	DIODE BAS316 SOT-323 PHILIPS	9JR9300000030
D569	093T 64S900 T	DIODE BAS316 SOT-323 PHILIPS	9JR9300000030
D570	093T 64S900 T	DIODE BAS316 SOT-323 PHILIPS	9JR9300000030
D571	093T 64S900 T	DIODE BAS316 SOT-323 PHILIPS	9JR9300000030
D600	093T 64S522SEM	DIODE LL4148 SEMTECH	9JR9300000055
D601	093T 64S900 T	DIODE BAS316 SOT-323 PHILIPS	9JR9300000030
D602	093T 64S900 T	DIODE BAS316 SOT-323 PHILIPS	9JR9300000030
D603	093T 64S522SEM	DIODE LL4148 SEMTECH	9JR9300000055
D604	093T 64S522SEM	DIODE LL4148 SEMTECH	9JR9300000055
D605	093T 64S522SEM	DIODE LL4148 SEMTECH	9JR9300000055
D607	093T 64S522SEM	DIODE LL4148 SEMTECH	9JR9300000055
D650	093T 64S900 T	DIODE BAS316 SOT-323 PHILIPS	9JR9300000030
D651	093T 64S900 T	DIODE BAS316 SOT-323 PHILIPS	9JR9300000030
D652	093T 64S900 T	DIODE BAS316 SOT-323 PHILIPS	9JR9300000030
D653	093T 64S900 T	DIODE BAS316 SOT-323 PHILIPS	9JR9300000030
D654	093T 64S900 T	DIODE BAS316 SOT-323 PHILIPS	9JR9300000030
D655	093T 64S900 T	DIODE BAS316 SOT-323 PHILIPS	9JR9300000030
D656	093T 64S900 T	DIODE BAS316 SOT-323 PHILIPS	9JR9300000030
D657	093T 64S900 T	DIODE BAS316 SOT-323 PHILIPS	9JR9300000030
D658	093T 64S900 T	DIODE BAS316 SOT-323 PHILIPS	9JR9300000030
D659	093T 64S900 T	DIODE BAS316 SOT-323 PHILIPS	9JR9300000030
D660	093T 64S900 T	DIODE BAS316 SOT-323 PHILIPS	9JR9300000030
D661	093T 64S900 T	DIODE BAS316 SOT-323 PHILIPS	9JR9300000030
D700	093T 64S900 T	DIODE BAS316 SOT-323 PHILIPS	9JR9300000030
D701	093T 64S522SEM	DIODE LL4148 SEMTECH	9JR9300000055
D702	093T 64S522SEM	DIODE LL4148 SEMTECH	9JR9300000055
D703	093T 64S522SEM	DIODE LL4148 SEMTECH	9JR9300000055
D704	093T 64S900 T	DIODE BAS316 SOT-323 PHILIPS	9JR9300000030
D705	093T 64S522SEM	DIODE LL4148 SEMTECH	9JR9300000055
D706	093T 64S522SEM	DIODE LL4148 SEMTECH	9JR9300000055
D707	093T 64S900 T	DIODE BAS316 SOT-323 PHILIPS	9JR9300000030
D708	093T 64S522SEM	DIODE LL4148 SEMTECH	9JR9300000055
D709	093T 64S522SEM	DIODE LL4148 SEMTECH	9JR9300000055
FB100	071T 56A221 TA	CHIP BEAD 0805 220R/2000mA	9JR7100000009
FB101	071T 56A221 TA	CHIP BEAD 0805 220R/2000mA	9JR7100000009
FB200	071T 59D121 TA	CHIP BEAD 120R/600mA FCM1608KF-121T06	9JR7100000012
FB201	071T 56A221 TA	CHIP BEAD 0805 220R/2000mA	9JR7100000009
FB202	071T 59D121 TA	CHIP BEAD 120R/600mA FCM1608KF-121T06	9JR7100000012
FB203	071T 59D121 TA	CHIP BEAD 120R/600mA FCM1608KF-121T06	9JR7100000012
FB204	071T 59D121 TA	CHIP BEAD 120R/600mA FCM1608KF-121T06	9JR7100000012
FB230	071T 59C601 TA	CHIP BEAD 600R/200mA FCM1608K-601T02	9JR7100000011
FB231	071T 59C601 TA	CHIP BEAD 600R/200mA FCM1608K-601T02	9JR7100000011
FB232	071T 59C601 TA	CHIP BEAD 600R/200mA FCM1608K-601T02	9JR7100000011
FB233	071T 59C601 TA	CHIP BEAD 600R/200mA FCM1608K-601T02	9JR7100000011

FB234	071T 59C601 TA	CHIP BEAD 600R/200mA FCM1608K-601T02	9JR7100000011
FB300	071T 59D121 TA	CHIP BEAD 120R/600mA FCM1608KF-121T06	9JR7100000012
FB301	071T 59D121 TA	CHIP BEAD 120R/600mA FCM1608KF-121T06	9JR7100000012
FB302	071T 59D121 TA	CHIP BEAD 120R/600mA FCM1608KF-121T06	9JR7100000012
FB321	071T 59D121 TA	CHIP BEAD 120R/600mA FCM1608KF-121T06	9JR7100000012
FB322	071T 59D121 TA	CHIP BEAD 120R/600mA FCM1608KF-121T06	9JR7100000012
FB323	071T 59D121 TA	CHIP BEAD 120R/600mA FCM1608KF-121T06	9JR7100000012
FB390	071T 59C601 TA	CHIP BEAD 600R/200mA FCM1608K-601T02	9JR7100000011
FB400	071T 59D121 TA	CHIP BEAD 120R/600mA FCM1608KF-121T06	9JR7100000012
FB401	071T 59D121 TA	CHIP BEAD 120R/600mA FCM1608KF-121T06	9JR7100000012
FB402	071T 56B221 TA	CHIP BEAD 220R/400mA FCM2012CF-221T04	9JR7100000018
FB403	071T 56A221 TA	CHIP BEAD 0805 220R/2000mA	9JR7100000009
FB404	071T 56B221 TA	CHIP BEAD 220R/400mA FCM2012CF-221T04	9JR7100000018
FB566	071T 59C601 TA	CHIP BEAD 600R/200mA FCM1608K-601T02	9JR7100000011
FB567	071T 59C601 TA	CHIP BEAD 600R/200mA FCM1608K-601T02	9JR7100000011
FB600	071T 59D121 TA	CHIP BEAD 120R/600mA FCM1608KF-121T06	9JR7100000012
FB601	071T 59D121 TA	CHIP BEAD 120R/600mA FCM1608KF-121T06	9JR7100000012
FB602	071T 59D121 TA	CHIP BEAD 120R/600mA FCM1608KF-121T06	9JR7100000012
FB603	071T 59D121 TA	CHIP BEAD 120R/600mA FCM1608KF-121T06	9JR7100000012
FB604	071T 59D121 TA	CHIP BEAD 120R/600mA FCM1608KF-121T06	9JR7100000012
FB605	071T 55 19 T	FERRITE BEAD D9X3. 5X0.8	9JR7100000015
FB606	071T 59D121 TA	CHIP BEAD 120R/600mA FCM1608KF-121T06	9JR7100000012
FB607	071T 59D121 TA	CHIP BEAD 120R/600mA FCM1608KF-121T06	9JR7100000012
FB700	071T 59C601 TA	CHIP BEAD 600R/200mA FCM1608K-601T02	9JR7100000011
FB701	071T 59C601 TA	CHIP BEAD 600R/200mA FCM1608K-601T02	9JR7100000011
FB702	071T 59C601 TA	CHIP BEAD 600R/200mA FCM1608K-601T02	9JR7100000011
FB750	071T 59D121 TA	CHIP BEAD 120R/600mA FCM1608KF-121T06	9JR7100000012
FB751	071T 56A221 TA	CHIP BEAD 0805 220R/2000mA	9JR7100000009
FB752	071T 56A221 TA	CHIP BEAD 0805 220R/2000mA	9JR7100000009
FB753	071T 56A221 TA	CHIP BEAD 0805 220R/2000mA	9JR7100000009
FB754	071T 59D121 TA	CHIP BEAD 120R/600mA FCM1608KF-121T06	9JR7100000012
L101	073T 253916 H	CHOKE COIL 15uH+/-10% 38mohm DR10*8	9JR7300000033
L102	073T 253916 H	CHOKE COIL 15uH+/-10% 38mohm DR10*8	9JR7300000033
L150	073T 253915 LS	CHOKE COIL 22uH+/-10% 52mohm DR10*8	9JR7300000032
L300	073T 63828 T	CHIP INDUCROR 0U82 10% MLF1608DR82K	9JR7300000007
L500	073T 63108 TA	CHIP INDUCTOR 0U10 10% FCI1608F-R10K	9JR7300000002
L501	073T 63108 TA	CHIP INDUCTOR 0U10 10% FCI1608F-R10K	9JR7300000002
L502	073T 63108 TA	CHIP INDUCTOR 0U10 10% FCI1608F-R10K	9JR7300000002
L503	073T 63108 TA	CHIP INDUCTOR 0U10 10% FCI1608F-R10K	9JR7300000002
L504	073T 63108 TA	CHIP INDUCTOR 0U10 10% FCI1608F-R10K	9JR7300000002
L505	073T 63108 TA	CHIP INDUCTOR 0U10 10% FCI1608F-R10K	9JR7300000002
L550	073T 63108 TA	CHIP INDUCTOR 0U10 10% FCI1608F-R10K	9JR7300000002
L551	073T 63108 TA	CHIP INDUCTOR 0U10 10% FCI1608F-R10K	9JR7300000002
L552	073T 63108 TA	CHIP INDUCTOR 0U10 10% FCI1608F-R10K	9JR7300000002
L554	073T 63108 TA	CHIP INDUCTOR 0U10 10% FCI1608F-R10K	9JR7300000002
L556	073T 63108 TA	CHIP INDUCTOR 0U10 10% FCI1608F-R10K	9JR7300000002
L558	073T 63108 TA	CHIP INDUCTOR 0U10 10% FCI1608F-R10K	9JR7300000002
L561	073T 63108 TA	CHIP INDUCTOR 0U10 10% FCI1608F-R10K	9JR7300000002
L562	073T 63108 TA	CHIP INDUCTOR 0U10 10% FCI1608F-R10K	9JR7300000002
L563	073T 63108 TA	CHIP INDUCTOR 0U10 10% FCI1608F-R10K	9JR7300000002
L564	073T 63108 TA	CHIP INDUCTOR 0U10 10% FCI1608F-R10K	9JR7300000002
L565	073T 63108 TA	CHIP INDUCTOR 0U10 10% FCI1608F-R10K	9JR7300000002
L600	073T 259902 T	CHOKE 33uH 10% TSL0808RA-330K1R4	9JR7300000024
L601	073T 259902 T	CHOKE 33uH 10% TSL0808RA-330K1R4	9JR7300000024
L650	073T 63108 TA	CHIP INDUCTOR 0U10 10% FCI1608F-R10K	9JR7300000002
L652	073T 63108 TA	CHIP INDUCTOR 0U10 10% FCI1608F-R10K	9JR7300000002
L653	073T 63108 TA	CHIP INDUCTOR 0U10 10% FCI1608F-R10K	9JR7300000002
L654	073T 63108 TA	CHIP INDUCTOR 0U10 10% FCI1608F-R10K	9JR7300000002
L655	073T 63108 TA	CHIP INDUCTOR 0U10 10% FCI1608F-R10K	9JR7300000002
L656	073T 63108 TA	CHIP INDUCTOR 0U10 10% FCI1608F-R10K	9JR7300000002
L657	073T 63108 TA	CHIP INDUCTOR 0U10 10% FCI1608F-R10K	9JR7300000002
L700	073T 63108 TA	CHIP INDUCTOR 0U10 10% FCI1608F-R10K	9JR7300000002
L701	073T 63108 TA	CHIP INDUCTOR 0U10 10% FCI1608F-R10K	9JR7300000002
Q100	057T 477900 T	TRA BC847C 100mA/50V SOT-23	9JR5700000010
Q101	057T 477900 T	TRA BC847C 100mA/50V SOT-23	9JR5700000010
Q103	057T 763900	FET SI3441BDV TSOP-6	9JR5700000020
Q104	057T 7631PH	SI5441DC 1206-8	9JR5700000019
Q106	057T 477900 T	TRA BC847C 100mA/50V SOT-23	9JR5700000010
Q108	057T 477900 T	TRA BC847C 100mA/50V SOT-23	9JR5700000010
Q109	057T 477900 T	TRA BC847C 100mA/50V SOT-23	9JR5700000010
Q200	057T 419911 T	TRA 2A/12V 2SD2653K SOT-346	9JR5700000028
Q201	057T 419911 T	TRA 2A/12V 2SD2653K SOT-346	9JR5700000028
Q202	057T 419911 T	TRA 2A/12V 2SD2653K SOT-346	9JR5700000028
Q203	057T 417512	TRA MMBT3906 BLUE ROKET	9JR5700000026

LC-26SB25E/S/RU, LC-32SB25E/S/RU, LC-42SB55E/S/RU

Q301	057T 417511	TRA MMBT3904 BLUE ROKET	9JR570000025
Q400	057T 763 50	FET ME2301 -2.8A/-20V SOT-23	9JR5700000036
Q401	057T 417 12 T	TRA 2N3904S-RTK/PS SOT-23 KEC	9JR5700000024
Q500	057T 419911 T	TRA 2A/12V 2SD2653K SOT-346	9JR5700000028
Q550	057T 477900 T	TRA BC847C 100mA/50V SOT-23	9JR5700000010
Q600	057T 477904 T	TRA BC847BW 100mA/45V SOT-323	9JR5700000012
Q601	057T 477900 T	TRA BC847C 100mA/50V SOT-23	9JR5700000010
Q606	057T 761902 T	TRA BC857BW 100mA/50V SOT-323	9JR5700000018
Q607	057T 477900 T	TRA BC847C 100mA/50V SOT-23	9JR5700000010
Q608	057T 419911 T	TRA 2A/12V 2SD2653K SOT-346	9JR5700000028
Q609	057T 419911 T	TRA 2A/12V 2SD2653K SOT-346	9JR5700000028
Q610	057T 419911 T	TRA 2A/12V 2SD2653K SOT-346	9JR5700000028
Q611	057T 417512	TRA MMBT3906 BLUE ROKET	9JR5700000026
Q612	057T 417512	TRA MMBT3906 BLUE ROKET	9JR5700000026
Q613	057T 417512	TRA MMBT3906 BLUE ROKET	9JR5700000026
Q614	057T 417512	TRA MMBT3906 BLUE ROKET	9JR5700000026
Q615	057T 761902 T	TRA BC857BW 100mA/50V SOT-323	9JR5700000018
Q616	057T 419911 T	TRA 2A/12V 2SD2653K SOT-346	9JR5700000028
Q700	057T 477900 T	TRA BC847C 100mA/50V SOT-23	9JR5700000010
Q701	057T 763910	FET 2SK1828 TO-236MOD	9JR5700000022
Q702	057T 477900 T	TRA BC847C 100mA/50V SOT-23	9JR5700000010
Q703	057T 477900 T	TRA BC847C 100mA/50V SOT-23	9JR5700000010
Q704	057T 477900 T	TRA BC847C 100mA/50V SOT-23	9JR5700000010
Q705	057T 477900 T	TRA BC847C 100mA/50V SOT-23	9JR5700000010
Q706	057T 477900 T	TRA BC847C 100mA/50V SOT-23	9JR5700000010
Q707	057T 763910	FET 2SK1828 TO-236MOD	9JR5700000022
Q750	057T 417511	TRA MMBT3904 BLUE ROKET	9JR5700000025
Q751	057T 417511	TRA MMBT3904 BLUE ROKET	9JR5700000025
R100	061T0603223 Y	RST CHIPR 22KOHM +-5% 1/10W YAGEO	9JR6100000095
R101	061T0603223 Y	RST CHIPR 22KOHM +-5% 1/10W YAGEO	9JR6100000095
R102	061T0603512 Y	RST CHIPR 5.1KOHM +-5% 1/10W YAGEO	9JR6100000119
R103	061T0603223 Y	RST CHIPR 22KOHM +-5% 1/10W YAGEO	9JR6100000095
R104	061T0603392 Y	RST CHIPR 3.9KOHM +-5% 1/10W YAGEO	9JR6100000104
R106	061T0603392 Y	RST CHIPR 3.9KOHM +-5% 1/10W YAGEO	9JR6100000104
R107	061T0603102 Y	RST CHIPR 1KOHM +-5% 1/10W YAGEO	9JR6100000070
R111	061T0805000 Y	RST CHIP MAX 0R05 1/8W YAGEO	9JR6100000123
R113	061T0402101 Y	RST CHIP 100R 1/16W 5%	9JR6100000040
R114	061T0603472 Y	RST CHIPR 4.7KOHM +-5% 1/10W YAGEO	9JR6100000113
R115	061T06032201FY	RST CHIPR 2.2KOHM +-1% 1/10W YAGEO	9JR6100000237
R117	061T06031201FY	RST CHIPR 1.2KOHM +-1% 1/10W YAGEO	9JR6100000220
R119	061T0603223 Y	RST CHIPR 22KOHM +-5% 1/10W YAGEO	9JR6100000095
R122	061T06031201FY	RST CHIPR 1.2KOHM +-1% 1/10W YAGEO	9JR6100000220
R123	061T06031101FY	RST CHIPR 1.1KOHM +-1% 1/10W YAGEO	9JR6100000217
R124	061T06032400FY	RST CHIPR 240 OHM +-1% 1/10W YAGEO	9JR6100000240
R125	061T0402000 Y	RST CHIP MAX 0R05 1/16W YAGEO	9JR6100000037
R126	061T0402102 Y	RST CHIP 1K 1/16W 5%	9JR6100000041
R127	061T0603103 Y	RST CHIPR 10KOHM +-5% 1/10W YAGEO	9JR6100000072
R128	061T0603103 Y	RST CHIPR 10KOHM +-5% 1/10W YAGEO	9JR6100000072
R130	061T0603512 Y	RST CHIPR 5.1KOHM +-5% 1/10W YAGEO	9JR6100000119
R135	061T0603473 Y	RST CHIPR 47KOHM +-5% 1/10W YAGEO	9JR6100000114
R136	061T0603473 Y	RST CHIPR 47KOHM +-5% 1/10W YAGEO	9JR6100000114
R138	061T0603000 Y	RST CHIP MAX 0R05 1/10W YAGEO	9JR6100000060
R141	061T0603000 Y	RST CHIP MAX 0R05 1/10W YAGEO	9JR6100000060
R144	061T0402102 Y	RST CHIP 1K 1/16W 5%	9JR6100000041
R149	061T1206000 Y	RST CHIP MAX 0R05 1/4W YAGEO	9JR6100000158
R150	061T1206000 Y	RST CHIP MAX 0R05 1/4W YAGEO	9JR6100000158
R151	061T06031200FY	RST CHIPR 120 OHM +-1% 1/10W YAGEO	9JR6100000079
R152	061T06031200FY	RST CHIPR 120 OHM +-1% 1/10W YAGEO	9JR6100000079
R153	061T0805000 Y	RST CHIP MAX 0R05 1/8W YAGEO	9JR6100000123
R154	061T0603101 Y	RST CHIPR 100 OHM +-5% 1/10W YAGEO	9JR6100000066
R161	061T06034701FY	RST CHIPR 4.7KOHM +-1% 1/10W YAGEO	9JR6100000109
R162	061T06031200FY	RST CHIPR 120 OHM +-1% 1/10W YAGEO	9JR6100000079
R163	061T0603109 Y	RST CHIPR 1 OHM +-5% 1/10W YAGEO	9JR6100000077
R165	061T06031200FY	RST CHIPR 120 OHM +-1% 1/10W YAGEO	9JR6100000079
R166	061T06031502FY	RST CHIPR 15KOHM +-1% 1/10W YAGEO	9JR6100000225
R167	061T0603109 Y	RST CHIPR 1 OHM +-5% 1/10W YAGEO	9JR6100000077
R171	061T0603000 Y	RST CHIP MAX 0R05 1/10W YAGEO	9JR6100000060
R172	061T06032002FY	RST CHIPR 20KOHM +-1% 1/10W YAGEO	9JR6100000233
R173	061T06035102FY	RST CHIPR 51KOHM +-1% 1/10W YAGEO	9JR6100000118
R174	061T06034701FY	RST CHIPR 4.7KOHM +-1% 1/10W YAGEO	9JR6100000109
R175	061T1206000 Y	RST CHIP MAX 0R05 1/4W YAGEO	9JR6100000158
R176	061T1206000 Y	RST CHIP MAX 0R05 1/4W YAGEO	9JR6100000158
R200	061T0603000 Y	RST CHIP MAX 0R05 1/10W YAGEO	9JR6100000060
R201	061T0603000 Y	RST CHIP MAX 0R05 1/10W YAGEO	9JR6100000060

R202	061T0603472 Y	RST CHIPR 4.7KOHM +-5% 1/10W YAGEO	9JR6100000113
R204	061T0603000 Y	RST CHIP MAX 0R05 1/10W YAGEO	9JR6100000060
R207	061T0603472 Y	RST CHIPR 4.7KOHM +-5% 1/10W YAGEO	9JR6100000113
R208	061T0603000 Y	RST CHIP MAX 0R05 1/10W YAGEO	9JR6100000060
R209	061T0603472 Y	RST CHIPR 4.7KOHM +-5% 1/10W YAGEO	9JR6100000113
R210	061T0603103 Y	RST CHIPR 10KOHM +-5% 1/10W YAGEO	9JR6100000072
R211	061T0603100 Y	RST CHIPR 10 OHM +-5% 1/10W YAGEO	9JR6100000214
R212	061T0603103 Y	RST CHIPR 10KOHM +-5% 1/10W YAGEO	9JR6100000072
R213	061T06037509FY	RST CHIPR 75 OHM +-1% 1/10W YAGEO	9JR6100000121
R214	061T0603100 Y	RST CHIPR 10 OHM +-5% 1/10W YAGEO	9JR6100000214
R215	061T0402101 Y	RST CHIP 100R 1/16W 5%	9JR6100000040
R216	061T0603750 Y	RST CHIPR 75 OHM +-5% 1/10W YAGEO	9JR6100000253
R227	061T0603000 Y	RST CHIP MAX 0R05 1/10W YAGEO	9JR6100000060
R228	061T0603000 Y	RST CHIP MAX 0R05 1/10W YAGEO	9JR6100000060
R229	061T06031500FY	RST CHIPR 150 OHM +-1% 1/10W YAGEO	9JR6100000223
R230	061T0603000 Y	RST CHIP MAX 0R05 1/10W YAGEO	9JR6100000060
R231	061T0603105 Y	RST CHIPR 1MOHM +-5% 1/10W YAGEO	9JR6100000076
R232	061T0603000 Y	RST CHIP MAX 0R05 1/10W YAGEO	9JR6100000060
R233	061T0603101 Y	RST CHIPR 100 OHM +-5% 1/10W YAGEO	9JR6100000066
R234	061T0603000 Y	RST CHIP MAX 0R05 1/10W YAGEO	9JR6100000060
R235	061T0603000 Y	RST CHIP MAX 0R05 1/10W YAGEO	9JR6100000060
R236	061T06031600FY	RST CHIPR 160 OHM +-1% 1/10W YAGEO	9JR6100000226
R237	061T06032200FY	RST CHIPR 220 OHM +-1% 1/10W YAGEO	9JR6100000235
R238	061T0603102 Y	RST CHIPR 1KOHM +-5% 1/10W YAGEO	9JR6100000070
R239	061T0603000 Y	RST CHIP MAX 0R05 1/10W YAGEO	9JR6100000060
R241	061T0603102 Y	RST CHIPR 1KOHM +-5% 1/10W YAGEO	9JR6100000070
R242	061T0603102 Y	RST CHIPR 1KOHM +-5% 1/10W YAGEO	9JR6100000070
R244	061T0603100 Y	RST CHIPR 10 OHM +-5% 1/10W YAGEO	9JR6100000214
R245	061T0603000 Y	RST CHIP MAX 0R05 1/10W YAGEO	9JR6100000060
R251	061T0402472 Y	RST CHIP 4K7 1/16W 5%	9JR6100000054
R253	061T0402472 Y	RST CHIP 4K7 1/16W 5%	9JR6100000054
R254	061T0402472 Y	RST CHIP 4K7 1/16W 5%	9JR6100000054
R258	061T0402472 Y	RST CHIP 4K7 1/16W 5%	9JR6100000054
R259	061T0402472 Y	RST CHIP 4K7 1/16W 5%	9JR6100000054
R265	061T0603472 Y	RST CHIPR 4.7KOHM +-5% 1/10W YAGEO	9JR6100000113
R268	061T0603472 Y	RST CHIPR 4.7KOHM +-5% 1/10W YAGEO	9JR6100000113
R300	061T06031001FY	RST CHIPR 1KOHM +-1% 1/10W YAGEO	9JR6100000064
R301	061T0402103 Y	RST CHIP 10K 1/16W 5%	9JR6100000043
R302	061T0402103 Y	RST CHIP 10K 1/16W 5%	9JR6100000043
R303	061T0402330 Y	RST CHIP 33R 1/16W 5%	9JR6100000051
R304	061T0402103 Y	RST CHIP 10K 1/16W 5%	9JR6100000043
R306	061T0402103 Y	RST CHIP 10K 1/16W 5%	9JR6100000043
R307	061T0402103 Y	RST CHIP 10K 1/16W 5%	9JR6100000043
R314	061T06033901FY	RST CHIPR 3.9KOHM +-1% 1/10W YAGEO	9JR6100000103
R315	061T0402103 Y	RST CHIP 10K 1/16W 5%	9JR6100000043
R316	061T0402102 Y	RST CHIP 1K 1/16W 5%	9JR6100000041
R317	061T0603109 Y	RST CHIPR 1 OHM +-5% 1/10W YAGEO	9JR6100000077
R319	061T0402101 Y	RST CHIP 100R 1/16W 5%	9JR6100000040
R320	061T0402101 Y	RST CHIP 100R 1/16W 5%	9JR6100000040
R322	061T0603000 Y	RST CHIP MAX 0R05 1/10W YAGEO	9JR6100000060
R325	061T0402472 Y	RST CHIP 4K7 1/16W 5%	9JR6100000054
R326	061T0402472 Y	RST CHIP 4K7 1/16W 5%	9JR6100000054
R331	061T0402512 Y	RST CHIP 5K1 1/16W 5%	9JR6100000056
R336	061T0603000 Y	RST CHIP MAX 0R05 1/10W YAGEO	9JR6100000060
R341	061T0402000 Y	RST CHIP MAX 0R05 1/16W YAGEO	9JR6100000037
R350	061T0603330 Y	RST CHIPR 33 OHM +-5% 1/10W YAGEO	9JR6100000100
R351	061T0603510 Y	RST CHIPR 51 OHM +-5% 1/10W YAGEO	9JR6100000116
R352	061T0603330 Y	RST CHIPR 33 OHM +-5% 1/10W YAGEO	9JR6100000100
R353	061T0603510 Y	RST CHIPR 51 OHM +-5% 1/10W YAGEO	9JR6100000116
R354	061T0603510 Y	RST CHIPR 51 OHM +-5% 1/10W YAGEO	9JR6100000116
R355	061T0603510 Y	RST CHIPR 51 OHM +-5% 1/10W YAGEO	9JR6100000116
R357	061T0603510 Y	RST CHIPR 51 OHM +-5% 1/10W YAGEO	9JR6100000116
R358	061T0603101 Y	RST CHIPR 100 OHM +-5% 1/10W YAGEO	9JR6100000066
R359	061T0603101 Y	RST CHIPR 100 OHM +-5% 1/10W YAGEO	9JR6100000066
R360	061T0603000 Y	RST CHIP MAX 0R05 1/10W YAGEO	9JR6100000060
R361	061T0603000 Y	RST CHIP MAX 0R05 1/10W YAGEO	9JR6100000060
R362	061T0603000 Y	RST CHIP MAX 0R05 1/10W YAGEO	9JR6100000060
R363	061T0603000 Y	RST CHIP MAX 0R05 1/10W YAGEO	9JR6100000060
R365	061T0603472 Y	RST CHIPR 4.7KOHM +-5% 1/10W YAGEO	9JR6100000113
R366	061T0603000 Y	RST CHIP MAX 0R05 1/10W YAGEO	9JR6100000060
R367	061T0603101 Y	RST CHIPR 100 OHM +-5% 1/10W YAGEO	9JR6100000066
R370	061T0603101 Y	RST CHIPR 100 OHM +-5% 1/10W YAGEO	9JR6100000066
R372	061T0603101 Y	RST CHIPR 100 OHM +-5% 1/10W YAGEO	9JR6100000066
R374	061T0603471 Y	RST CHIPR 470 OHM +-5% 1/10W YAGEO	9JR6100000111

LC-26SB25E/S/RU, LC-32SB25E/S/RU, LC-42SB55E/S/RU

R375	061T0603101 Y	RST CHIPR 100 OHM +-5% 1/10W YAGEO	9JR610000066
R384	061T06033901FY	RST CHIPR 3.9KOHM +-1% 1/10W YAGEO	9JR6100000103
R385	061T0603472 Y	RST CHIPR 4.7KOHM +-5% 1/10W YAGEO	9JR6100000113
R386	061T06031000FY	RST CHIPR 100 OHM +-1% 1/10W YAGEO	9JR6100000062
R388	061T0603472 Y	RST CHIPR 4.7KOHM +-5% 1/10W YAGEO	9JR6100000113
R389	061T06031000FY	RST CHIPR 100 OHM +-1% 1/10W YAGEO	9JR6100000062
R393	061T0603103 Y	RST CHIPR 10KOHM +-5% 1/10W YAGEO	9JR6100000072
R394	061T0603000 Y	RST CHIP MAX 0R05 1/10W YAGEO	9JR6100000060
R395	061T0603101 Y	RST CHIPR 100 OHM +-5% 1/10W YAGEO	9JR6100000066
R396	061T0603472 Y	RST CHIPR 4.7KOHM +-5% 1/10W YAGEO	9JR6100000113
R397	061T0603000 Y	RST CHIP MAX 0R05 1/10W YAGEO	9JR6100000060
R398	061T0603103 Y	RST CHIPR 10KOHM +-5% 1/10W YAGEO	9JR6100000072
R399	061T0603000 Y	RST CHIP MAX 0R05 1/10W YAGEO	9JR6100000060
R400	061T0603105 Y	RST CHIPR 1MOHM +-5% 1/10W YAGEO	9JR6100000076
R401	061T0603103 Y	RST CHIPR 10KOHM +-5% 1/10W YAGEO	9JR6100000072
R403	061T0603103 Y	RST CHIPR 10KOHM +-5% 1/10W YAGEO	9JR6100000072
R404	061T0603103 Y	RST CHIPR 10KOHM +-5% 1/10W YAGEO	9JR6100000072
R405	061T0603103 Y	RST CHIPR 10KOHM +-5% 1/10W YAGEO	9JR6100000072
R406	061T0603103 Y	RST CHIPR 10KOHM +-5% 1/10W YAGEO	9JR6100000072
R407	061T0603103 Y	RST CHIPR 10KOHM +-5% 1/10W YAGEO	9JR6100000072
R408	061T0603103 Y	RST CHIPR 10KOHM +-5% 1/10W YAGEO	9JR6100000072
R410	061T0603000 Y	RST CHIP MAX 0R05 1/10W YAGEO	9JR6100000060
R411	061T0603330 Y	RST CHIPR 33 OHM +-5% 1/10W YAGEO	9JR6100000100
R412	061T0603330 Y	RST CHIPR 33 OHM +-5% 1/10W YAGEO	9JR6100000100
R413	061T0603330 Y	RST CHIPR 33 OHM +-5% 1/10W YAGEO	9JR6100000100
R414	061T0603330 Y	RST CHIPR 33 OHM +-5% 1/10W YAGEO	9JR6100000100
R415	061T0603101 Y	RST CHIPR 100 OHM +-5% 1/10W YAGEO	9JR6100000066
R417	061T0603101 Y	RST CHIPR 100 OHM +-5% 1/10W YAGEO	9JR6100000066
R419	061T0603472 Y	RST CHIPR 4.7KOHM +-5% 1/10W YAGEO	9JR6100000113
R421	061T0603472 Y	RST CHIPR 4.7KOHM +-5% 1/10W YAGEO	9JR6100000113
R424	061T0603473 Y	RST CHIPR 47KOHM +-5% 1/10W YAGEO	9JR6100000114
R425	061T0603103 Y	RST CHIPR 10KOHM +-5% 1/10W YAGEO	9JR6100000072
R426	061T0603103 Y	RST CHIPR 10KOHM +-5% 1/10W YAGEO	9JR6100000072
R427	061T0603103 Y	RST CHIPR 10KOHM +-5% 1/10W YAGEO	9JR6100000072
R432	061T0603000 Y	RST CHIP MAX 0R05 1/10W YAGEO	9JR6100000060
R433	061T0603101 Y	RST CHIPR 100 OHM +-5% 1/10W YAGEO	9JR6100000066
R434	061T0603101 Y	RST CHIPR 100 OHM +-5% 1/10W YAGEO	9JR6100000066
R435	061T0603472 Y	RST CHIPR 4.7KOHM +-5% 1/10W YAGEO	9JR6100000113
R436	061T0603472 Y	RST CHIPR 4.7KOHM +-5% 1/10W YAGEO	9JR6100000113
R437	061T0603101 Y	RST CHIPR 100 OHM +-5% 1/10W YAGEO	9JR6100000066
R438	061T0603101 Y	RST CHIPR 100 OHM +-5% 1/10W YAGEO	9JR6100000066
R439	061T0603101 Y	RST CHIPR 100 OHM +-5% 1/10W YAGEO	9JR6100000066
R500	061T0603750 Y	RST CHIPR 75 OHM +-5% 1/10W YAGEO	9JR6100000253
R501	061T0603750 Y	RST CHIPR 75 OHM +-5% 1/10W YAGEO	9JR6100000253
R502	061T0603750 Y	RST CHIPR 75 OHM +-5% 1/10W YAGEO	9JR6100000253
R504	061T0603103 Y	RST CHIPR 10KOHM +-5% 1/10W YAGEO	9JR6100000072
R505	061T0603333 Y	RST CHIPR 33KOHM +-5% 1/10W YAGEO	9JR6100000243
R506	061T0603333 Y	RST CHIPR 33KOHM +-5% 1/10W YAGEO	9JR6100000243
R507	061T0603333 Y	RST CHIPR 33KOHM +-5% 1/10W YAGEO	9JR6100000243
R508	061T0603000 Y	RST CHIP MAX 0R05 1/10W YAGEO	9JR6100000060
R509	061T0603000 Y	RST CHIP MAX 0R05 1/10W YAGEO	9JR6100000060
R511	061T0603103 Y	RST CHIPR 10KOHM +-5% 1/10W YAGEO	9JR6100000072
R512	061T0603103 Y	RST CHIPR 10KOHM +-5% 1/10W YAGEO	9JR6100000072
R513	061T0402680 Y	RST CHIP 68R 1/16W 5%	9JR6100000061
R514	061T0402101 Y	RST CHIP 100R 1/16W 5%	9JR6100000040
R515	061T0402101 Y	RST CHIP 100R 1/16W 5%	9JR6100000040
R516	061T0402750 Y	RST CHIP 75R 1/16W 5%	9JR6100000058
R517	061T0402750 Y	RST CHIP 75R 1/16W 5%	9JR6100000058
R518	061T0402101 Y	RST CHIP 100R 1/16W 5%	9JR6100000040
R519	061T0402750 Y	RST CHIP 75R 1/16W 5%	9JR6100000058
R520	061T0402680 Y	RST CHIP 68R 1/16W 5%	9JR6100000061
R521	061T0402000 Y	RST CHIP MAX 0R05 1/16W YAGEO	9JR6100000037
R522	061T0402680 Y	RST CHIP 68R 1/16W 5%	9JR6100000061
R523	061T0402203 Y	RST CHIP 20K 1/16W 5%	9JR6100000046
R524	061T0402000 Y	RST CHIP MAX 0R05 1/16W YAGEO	9JR6100000037
R525	061T0402203 Y	RST CHIP 20K 1/16W 5%	9JR6100000046
R526	061T0402203 Y	RST CHIP 20K 1/16W 5%	9JR6100000046
R527	061T0402203 Y	RST CHIP 20K 1/16W 5%	9JR6100000046
R528	061T0402750 Y	RST CHIP 75R 1/16W 5%	9JR6100000058
R529	061T0402270 Y	RST CHIP 27R 1/16W 5%	9JR6100000048
R530	061T0402470 Y	RST CHIP 47R 1/16W 5%	9JR6100000053
R531	061T0402000 Y	RST CHIP MAX 0R05 1/16W YAGEO	9JR6100000037
R532	061T0402101 Y	RST CHIP 100R 1/16W 5%	9JR6100000040
R533	061T0402101 Y	RST CHIP 100R 1/16W 5%	9JR6100000040

R534	061T0402270 Y	RST CHIP 27R 1/16W 5%	9JR610000048
R535	061T0402470 Y	RST CHIP 47R 1/16W 5%	9JR610000053
R536	061T0402000 Y	RST CHIP MAX 0R05 1/16W YAGEO	9JR610000037
R537	061T0402101 Y	RST CHIP 100R 1/16W 5%	9JR610000040
R550	061T0402000 Y	RST CHIP MAX 0R05 1/16W YAGEO	9JR610000037
R551	061T0402000 Y	RST CHIP MAX 0R05 1/16W YAGEO	9JR610000037
R552	061T0603103 Y	RST CHIPR 10KOHM +-5% 1/10W YAGEO	9JR610000072
R553	061T0402680 Y	RST CHIP 68R 1/16W 5%	9JR610000061
R554	061T0603103 Y	RST CHIPR 10KOHM +-5% 1/10W YAGEO	9JR610000072
R555	061T0603101 Y	RST CHIPR 100 OHM +-5% 1/10W YAGEO	9JR610000066
R556	061T0402750 Y	RST CHIP 75R 1/16W 5%	9JR610000058
R557	061T0402101 Y	RST CHIP 100R 1/16W 5%	9JR610000040
R558	061T0603103 Y	RST CHIPR 10KOHM +-5% 1/10W YAGEO	9JR610000072
R559	061T0402680 Y	RST CHIP 68R 1/16W 5%	9JR610000061
R561	061T0402750 Y	RST CHIP 75R 1/16W 5%	9JR610000058
R563	061T0402101 Y	RST CHIP 100R 1/16W 5%	9JR610000040
R565	061T0402750 Y	RST CHIP 75R 1/16W 5%	9JR610000058
R567	061T0402680 Y	RST CHIP 68R 1/16W 5%	9JR610000061
R568	061T0402203 Y	RST CHIP 20K 1/16W 5%	9JR610000046
R570	061T0402000 Y	RST CHIP MAX 0R05 1/16W YAGEO	9JR610000037
R572	061T0402203 Y	RST CHIP 20K 1/16W 5%	9JR610000046
R575	061T0402000 Y	RST CHIP MAX 0R05 1/16W YAGEO	9JR610000037
R576	061T0603000 Y	RST CHIP MAX 0R05 1/10W YAGEO	9JR610000060
R577	061T0603000 Y	RST CHIP MAX 0R05 1/10W YAGEO	9JR610000060
R578	061T0603203 Y	RST CHIPR 20KOHM +-5% 1/10W YAGEO	9JR610000234
R579	061T0402750 Y	RST CHIP 75R 1/16W 5%	9JR610000058
R580	061T0402680 Y	RST CHIP 68R 1/16W 5%	9JR610000061
R581	061T0402750 Y	RST CHIP 75R 1/16W 5%	9JR610000058
R582	061T0402000 Y	RST CHIP MAX 0R05 1/16W YAGEO	9JR610000037
R583	061T0402680 Y	RST CHIP 68R 1/16W 5%	9JR610000061
R584	061T0402750 Y	RST CHIP 75R 1/16W 5%	9JR610000058
R585	061T0402101 Y	RST CHIP 100R 1/16W 5%	9JR610000040
R586	061T0603203 Y	RST CHIPR 20KOHM +-5% 1/10W YAGEO	9JR610000234
R587	061T0402680 Y	RST CHIP 68R 1/16W 5%	9JR610000061
R588	061T0402101 Y	RST CHIP 100R 1/16W 5%	9JR610000040
R589	061T0603103 Y	RST CHIPR 10KOHM +-5% 1/10W YAGEO	9JR610000072
R590	061T0603101 Y	RST CHIPR 100 OHM +-5% 1/10W YAGEO	9JR610000066
R591	061T0603101 Y	RST CHIPR 100 OHM +-5% 1/10W YAGEO	9JR610000066
R592	061T0402101 Y	RST CHIP 100R 1/16W 5%	9JR610000040
R593	061T0402202 Y	RST CHIP 2K +-5% 1/16W	9JR610000045
R594	061T0402000 Y	RST CHIP MAX 0R05 1/16W YAGEO	9JR610000037
R595	061T0402202 Y	RST CHIP 2K +-5% 1/16W	9JR610000045
R596	061T0402000 Y	RST CHIP MAX 0R05 1/16W YAGEO	9JR610000037
R597	061T0402000 Y	RST CHIP MAX 0R05 1/16W YAGEO	9JR610000037
R598	061T0402000 Y	RST CHIP MAX 0R05 1/16W YAGEO	9JR610000037
R600	061T0402000 Y	RST CHIP MAX 0R05 1/16W YAGEO	9JR610000037
R601	061T0603472 Y	RST CHIPR 4.7KOHM +-5% 1/10W YAGEO	9JR610000113
R602	061T0603102 Y	RST CHIPR 1KOHM +-5% 1/10W YAGEO	9JR610000070
R603	061T0603200 Y	RST CHIPR 20 OHM +-5% 1/10W YAGEO	9JR610000231
R604	061T0603200 Y	RST CHIPR 20 OHM +-5% 1/10W YAGEO	9JR610000231
R606	061T0603472 Y	RST CHIPR 4.7KOHM +-5% 1/10W YAGEO	9JR610000113
R607	061T0402103 Y	RST CHIP 10K 1/16W 5%	9JR610000043
R608	061T0402223 Y	RST CHIP 22K 1/16W 5%	9JR610000199
R609	061T0603104 Y	RST CHIPR 100KOHM +-5% 1/10W YAGEO	9JR610000074
R610	061T0603472 Y	RST CHIPR 4.7KOHM +-5% 1/10W YAGEO	9JR610000113
R611	061T0603273 Y	RST CHIPR 27KOHM +-5% 1/10W YAGEO	9JR610000241
R612	061T0402223 Y	RST CHIP 22K 1/16W 5%	9JR610000199
R613	061T0603273 Y	RST CHIPR 27KOHM +-5% 1/10W YAGEO	9JR610000241
R615	061T0603203 Y	RST CHIPR 20KOHM +-5% 1/10W YAGEO	9JR610000234
R616	061T0402472 Y	RST CHIP 4K7 1/16W 5%	9JR610000054
R617	061T0402104 Y	RST CHIP 100K 1/16W 5%	9JR610000044
R618	061T0402000 Y	RST CHIP MAX 0R05 1/16W YAGEO	9JR610000037
R619	061T0402101 Y	RST CHIP 100R 1/16W 5%	9JR610000040
R620	061T0402472 Y	RST CHIP 4K7 1/16W 5%	9JR610000054
R621	061T0402101 Y	RST CHIP 100R 1/16W 5%	9JR610000040
R622	061T0402104 Y	RST CHIP 100K 1/16W 5%	9JR610000044
R623	061T0603472 Y	RST CHIPR 4.7KOHM +-5% 1/10W YAGEO	9JR610000113
R624	061T0603103 Y	RST CHIPR 10KOHM +-5% 1/10W YAGEO	9JR610000072
R625	061T0805100 Y	RST CHIPR 10 OHM +-5% 1/8W YAGEO	9JR610000256
R626	061T06031802FY	RST CHIPR 18KOHM +-1% 1/10W YAGEO	9JR610000229
R627	061T0402223 Y	RST CHIP 22K 1/16W 5%	9JR610000199
R628	061T06031802FY	RST CHIPR 18KOHM +-1% 1/10W YAGEO	9JR610000229
R629	061T1206220 Y	RST CHIPR 22 OHM +-5% 1/4W YAGEO	9JR610000165
R631	061T0603203 Y	RST CHIPR 20KOHM +-5% 1/10W YAGEO	9JR610000234

LC-26SB25E/S/RU, LC-32SB25E/S/RU, LC-42SB55E/S/RU

R632	061T1206100 Y	RST CHIPR 10 OHM +-5% 1/4W YAGEO	9JR6100000160
R633	061T0402101 Y	RST CHIP 100R 1/16W 5%	9JR6100000040
R634	061T0402223 Y	RST CHIP 22K 1/16W 5%	9JR6100000199
R635	061T0402393 Y	RST CHIP 39K 1/16W 5%	9JR6100000052
R636	061T0603473 Y	RST CHIPR 47KOHM +-5% 1/10W YAGEO	9JR6100000114
R637	061T1206100 Y	RST CHIPR 10 OHM +-5% 1/4W YAGEO	9JR6100000160
R638	061T1206220 Y	RST CHIPR 22 OHM +-5% 1/4W YAGEO	9JR6100000165
R639	061T06031802FY	RST CHIPR 18KOHM +-1% 1/10W YAGEO	9JR6100000229
R640	061T0402223 Y	RST CHIP 22K 1/16W 5%	9JR6100000199
R641	061T06031802FY	RST CHIPR 18KOHM +-1% 1/10W YAGEO	9JR6100000229
R642	061T0603000 Y	RST CHIP MAX 0R05 1/10W YAGEO	9JR6100000060
R643	061T0603000 Y	RST CHIP MAX 0R05 1/10W YAGEO	9JR6100000060
R644	061T0603472 Y	RST CHIPR 4.7KOHM +-5% 1/10W YAGEO	9JR6100000113
R645	061T0603000 Y	RST CHIP MAX 0R05 1/10W YAGEO	9JR6100000060
R646	061T0603000 Y	RST CHIP MAX 0R05 1/10W YAGEO	9JR6100000060
R647	061T0603101 Y	RST CHIPR 100 OHM +-5% 1/10W YAGEO	9JR6100000066
R648	061T0603473 Y	RST CHIPR 47KOHM +-5% 1/10W YAGEO	9JR6100000114
R649	061T0402202 Y	RST CHIP 2K +-5% 1/16W	9JR6100000045
R650	061T0402512 Y	RST CHIP 5K1 1/16W 5%	9JR6100000056
R651	061T06031800FY	RST CHIPR 180 OHM +-1% 1/10W YAGEO	9JR6100000227
R652	061T06032202FY	RST CHIPR 22KOHM +-1% 1/10W YAGEO	9JR6100000089
R653	061T0402473 Y	RST CHIP 47K 1/16W 5%	9JR6100000055
R654	061T0603103 Y	RST CHIPR 10KOHM +-5% 1/10W YAGEO	9JR6100000072
R655	061T0603333 Y	RST CHIPR 33KOHM +-5% 1/10W YAGEO	9JR6100000243
R656	061T0402101 Y	RST CHIP 100R 1/16W 5%	9JR6100000040
R657	061T0402470 Y	RST CHIP 47R 1/16W 5%	9JR6100000053
R659	061T0603472 Y	RST CHIPR 4.7KOHM +-5% 1/10W YAGEO	9JR6100000113
R660	061T0603203 Y	RST CHIPR 20KOHM +-5% 1/10W YAGEO	9JR6100000234
R661	061T0402270 Y	RST CHIP 27R 1/16W 5%	9JR6100000048
R662	061T0603000 Y	RST CHIP MAX 0R05 1/10W YAGEO	9JR6100000060
R663	061T0603203 Y	RST CHIPR 20KOHM +-5% 1/10W YAGEO	9JR6100000234
R664	061T0402270 Y	RST CHIP 27R 1/16W 5%	9JR6100000048
R665	061T04023300FY	RST CHIP 330R 1/16W 1%	9JR6100000201
R666	061T0402101 Y	RST CHIP 100R 1/16W 5%	9JR6100000040
R667	061T0402470 Y	RST CHIP 47R 1/16W 5%	9JR6100000053
R668	061T0402102 Y	RST CHIP 1K 1/16W 5%	9JR6100000041
R669	061T0402101 Y	RST CHIP 100R 1/16W 5%	9JR6100000040
R670	061T0603750 Y	RST CHIPR 75 OHM +-5% 1/10W YAGEO	9JR6100000253
R671	061T0402470 Y	RST CHIP 47R 1/16W 5%	9JR6100000053
R672	061T0402473 Y	RST CHIP 47K 1/16W 5%	9JR6100000055
R673	061T0402270 Y	RST CHIP 27R 1/16W 5%	9JR6100000048
R675	061T06032202FY	RST CHIPR 22KOHM +-1% 1/10W YAGEO	9JR6100000089
R677	061T0603103 Y	RST CHIPR 10KOHM +-5% 1/10W YAGEO	9JR6100000072
R678	061T0603103 Y	RST CHIPR 10KOHM +-5% 1/10W YAGEO	9JR6100000072
R679	061T0603471 Y	RST CHIPR 470 OHM +-5% 1/10W YAGEO	9JR6100000111
R680	061T0603471 Y	RST CHIPR 470 OHM +-5% 1/10W YAGEO	9JR6100000111
R682	061T0603333 Y	RST CHIPR 33KOHM +-5% 1/10W YAGEO	9JR6100000243
R683	061T04023300FY	RST CHIP 330R 1/16W 1%	9JR6100000201
R684	061T04023300FY	RST CHIP 330R 1/16W 1%	9JR6100000201
R685	061T04023300FY	RST CHIP 330R 1/16W 1%	9JR6100000201
R686	061T04023300FY	RST CHIP 330R 1/16W 1%	9JR6100000201
R687	061T0402222 Y	RST CHIP 2K2 1/16W 5%	9JR6100000047
R688	061T04023300FY	RST CHIP 330R 1/16W 1%	9JR6100000201
R689	061T0402222 Y	RST CHIP 2K2 1/16W 5%	9JR6100000047
R690	061T0402222 Y	RST CHIP 2K2 1/16W 5%	9JR6100000047
R691	061T0603472 Y	RST CHIPR 4.7KOHM +-5% 1/10W YAGEO	9JR6100000113
R692	061T0603472 Y	RST CHIPR 4.7KOHM +-5% 1/10W YAGEO	9JR6100000113
R693	061T0402473 Y	RST CHIP 47K 1/16W 5%	9JR6100000055
R694	061T0402473 Y	RST CHIP 47K 1/16W 5%	9JR6100000055
R695	061T0603472 Y	RST CHIPR 4.7KOHM +-5% 1/10W YAGEO	9JR6100000113
R696	061T0603000 Y	RST CHIP MAX 0R05 1/10W YAGEO	9JR6100000060
R697	061T0402473 Y	RST CHIP 47K 1/16W 5%	9JR6100000055
R699	061T0402473 Y	RST CHIP 47K 1/16W 5%	9JR6100000055
R700	061T0402000 Y	RST CHIP MAX 0R05 1/16W YAGEO	9JR6100000037
R701	061T0402101 Y	RST CHIP 100R 1/16W 5%	9JR6100000040
R702	061T0402101 Y	RST CHIP 100R 1/16W 5%	9JR6100000040
R703	061T0402101 Y	RST CHIP 100R 1/16W 5%	9JR6100000040
R704	061T0402273 Y	RST CHIP 27K 1/16W 5%	9JR6100000049
R705	061T0402222 Y	RST CHIP 2K2 1/16W 5%	9JR6100000047
R706	061T0402000 Y	RST CHIP MAX 0R05 1/16W YAGEO	9JR6100000037
R707	061T0402000 Y	RST CHIP MAX 0R05 1/16W YAGEO	9JR6100000037
R710	061T0402103 Y	RST CHIP 10K 1/16W 5%	9JR6100000043
R711	061T0402473 Y	RST CHIP 47K 1/16W 5%	9JR6100000055
R712	061T0402473 Y	RST CHIP 47K 1/16W 5%	9JR6100000055

R713	061T0402101 Y	RST CHIP 100R 1/16W 5%	9JR610000040
R714	061T0402101 Y	RST CHIP 100R 1/16W 5%	9JR610000040
R715	061T0402330 Y	RST CHIP 33R 1/16W 5%	9JR610000051
R717	061T0402104 Y	RST CHIP 100K 1/16W 5%	9JR610000044
R718	061T0402102 Y	RST CHIP 1K 1/16W 5%	9JR610000041
R720	061T0402472 Y	RST CHIP 4K7 1/16W 5%	9JR610000054
R721	061T0402102 Y	RST CHIP 1K 1/16W 5%	9JR610000041
R722	061T0402103 Y	RST CHIP 10K 1/16W 5%	9JR610000043
R723	061T0402473 Y	RST CHIP 47K 1/16W 5%	9JR610000055
R724	061T0402473 Y	RST CHIP 47K 1/16W 5%	9JR610000055
R725	061T0402101 Y	RST CHIP 100R 1/16W 5%	9JR610000040
R726	061T0402101 Y	RST CHIP 100R 1/16W 5%	9JR610000040
R728	061T0402330 Y	RST CHIP 33R 1/16W 5%	9JR610000051
R729	061T0402104 Y	RST CHIP 100K 1/16W 5%	9JR610000044
R730	061T0402102 Y	RST CHIP 1K 1/16W 5%	9JR610000041
R731	061T1206000 Y	RST CHIP MAX 0R05 1/4W YAGEO	9JR6100000158
R732	061T0402102 Y	RST CHIP 1K 1/16W 5%	9JR610000041
R733	061T0402472 Y	RST CHIP 4K7 1/16W 5%	9JR610000054
R734	061T0402101 Y	RST CHIP 100R 1/16W 5%	9JR610000040
R735	061T0402101 Y	RST CHIP 100R 1/16W 5%	9JR610000040
R736	061T0402104 Y	RST CHIP 100K 1/16W 5%	9JR610000044
R737	061T0402102 Y	RST CHIP 1K 1/16W 5%	9JR610000041
R738	061T0402102 Y	RST CHIP 1K 1/16W 5%	9JR610000041
R740	061T0402103 Y	RST CHIP 10K 1/16W 5%	9JR610000043
R741	061T0402473 Y	RST CHIP 47K 1/16W 5%	9JR610000055
R742	061T0402473 Y	RST CHIP 47K 1/16W 5%	9JR610000055
R743	061T0402330 Y	RST CHIP 33R 1/16W 5%	9JR610000051
R744	061T0402472 Y	RST CHIP 4K7 1/16W 5%	9JR610000054
R745	061T0402472 Y	RST CHIP 4K7 1/16W 5%	9JR610000054
R746	061T0402472 Y	RST CHIP 4K7 1/16W 5%	9JR610000054
R751	061T0603000 Y	RST CHIP MAX 0R05 1/10W YAGEO	9JR610000060
R755	061T0603102 Y	RST CHIPR 1KOHM +-5% 1/10W YAGEO	9JR610000070
R758	061T0603472 Y	RST CHIPR 4.7KOHM +-5% 1/10W YAGEO	9JR6100000113
R759	061T0603472 Y	RST CHIPR 4.7KOHM +-5% 1/10W YAGEO	9JR6100000113
R760	061T0603101 Y	RST CHIPR 100 OHM +-5% 1/10W YAGEO	9JR610000066
R761	061T0603472 Y	RST CHIPR 4.7KOHM +-5% 1/10W YAGEO	9JR6100000113
R764	061T0603202 Y	RST CHIPR 2KOHM +-5% 1/10W YAGEO	9JR610000087
R765	061T0603103 Y	RST CHIPR 10KOHM +-5% 1/10W YAGEO	9JR610000072
RN230	061T 125330 8Y	RST CHIP AR 8P4R 33 OHM +-5% 1/16W	9JR6100000186
RN231	061T 125330 8Y	RST CHIP AR 8P4R 33 OHM +-5% 1/16W	9JR6100000186
RN232	061T 125330 8Y	RST CHIP AR 8P4R 33 OHM +-5% 1/16W	9JR6100000186
RP350	061T 125510 8Y	RST CHIP ARRAY 51R 1/16W 5% 8P4R	9JR6100000187
RP351	061T 125510 8Y	RST CHIP ARRAY 51R 1/16W 5% 8P4R	9JR6100000187
RP352	061T 125510 8Y	RST CHIP ARRAY 51R 1/16W 5% 8P4R	9JR6100000187
RP353	061T 125510 8Y	RST CHIP ARRAY 51R 1/16W 5% 8P4R	9JR6100000187
U102	056T 563928	IC LP2996MRX PSOP-8	9JR5600000012
U103	056T 563948	IC L5985 VFQFPN8	9JR5600000013
U104	056T 563948	IC L5985 VFQFPN8	9JR5600000013
U151	056T 563916	IC LD1117DT33TR DPAK	9JR5600000011
U152	056T 563129	IC AME8810-AEGTZ 0.6A/3.3V SOT-223	9JR5600000033
U153	056T 563951	IC LD1117ADT-TR DPAK	9JR5600000034
U154	056T 563906	IC LD1117DTTR DPAK(T&R)	9JR5600000010
U155	056T 368 4	IC TPS5430DDAR SO-8(DDA)	9JR5600000029
U156	056T 563906	IC LD1117DTTR DPAK(T&R)	9JR5600000010
U157	056T 563916	IC LD1117DT33TR DPAK	9JR5600000011
U158	056T 1331PH	LD1117S18 SOT-223	9JR5600000027
U159	056T 563949	IC LD39080PT-R PPAK	9JR5600000014
U231	056T 647 25	IC MT5133AN QFN-48	9JR5600000045
U302	056T 643 35	IC MAX809STRG 2.93V SOT23-3	9JR5600000022
U351	056T 615911	IC NT5TU16M16AG-3C BGA84	9JR5600000017
U352	056T 615911	IC NT5TU16M16AG-3C BGA84	9JR5600000017
U400	056T 562930	IC MT5336PKR PBGA-465	9JR5600000030
U401	056T1126 40	IC MT8295AE LQFP-128	9JR5600000049
U550	056T1133913	IC M24C02-WDW6P TSSOP8	9JR5600000025
U600	056T 616912	IC TDA8933BTW HTSSOP32	9JR5600000019
U601	056T 616517	IC TS486IDT ST	9JR5600000040
U602	056T 647903	IC WM8521H9GED/RV SOIC-14	9JR5600000046
U603	056T 616914	IC RC4580IPWR TSSOP8	9JR5600000042
U604	056T 133 22 ST	IC L78L09ACZ-AP TO-92	9JR5600000026
U700	056T1133913	IC M24C02-WDW6P TSSOP8	9JR5600000025
U701	056T1133913	IC M24C02-WDW6P TSSOP8	9JR5600000025
U708	056T1133913	IC M24C02-WDW6P TSSOP8	9JR5600000025
X300	093T 22S917 C	CRYSTAL 60MHz 9P SMD-49	9JR9300000009
X400	093T 22S921 C	CRYSTAL 27MHz 20P SMD-5.0x3.2	9JR9300000048

LC-26SB25E/S/RU, LC-32SB25E/S/RU, LC-42SB55E/S/RU

Y230	093T 22S920 C	CRYSTAL 27MHz 20P SMD-49	9JR9300000047
ZD200	093T 39S 34 T	UDZSNP5.6B ROHM	9JR9300000015
ZD500	093T 39S 34 T	UDZSNP5.6B ROHM	9JR9300000015
ZD501	093T 39S 34 T	UDZSNP5.6B ROHM	9JR9300000015
ZD502	093T 39S 34 T	UDZSNP5.6B ROHM	9JR9300000015
ZD503	093T 39S 34 T	UDZSNP5.6B ROHM	9JR9300000015
ZD504	093T 64 37 N	V-PORT-0603-100K V05	9JR9300000045
ZD505	093T 64 37 N	V-PORT-0603-100K V05	9JR9300000045
ZD506	093T 39GA28 T	ZENER DIODE RLZ13B SEMTECH	9JR9300000052
ZD507	093T 39S 34 T	UDZSNP5.6B ROHM	9JR9300000015
ZD508	093T 64 37 N	V-PORT-0603-100K V05	9JR9300000045
ZD509	093T 64 37 N	V-PORT-0603-100K V05	9JR9300000045
ZD510	093T 39GA28 T	ZENER DIODE RLZ13B SEMTECH	9JR9300000052
ZD511	093T 39S 34 T	UDZSNP5.6B ROHM	9JR9300000015
ZD512	093T 39S 34 T	UDZSNP5.6B ROHM	9JR9300000015
ZD513	093T 39S 34 T	UDZSNP5.6B ROHM	9JR9300000015
ZD550	093T 39S 34 T	UDZSNP5.6B ROHM	9JR9300000015
ZD551	093T 39S 34 T	UDZSNP5.6B ROHM	9JR9300000015
ZD552	093T 39S 34 T	UDZSNP5.6B ROHM	9JR9300000015
ZD553	093T 39S 34 T	UDZSNP5.6B ROHM	9JR9300000015
ZD554	093T 39S 34 T	UDZSNP5.6B ROHM	9JR9300000015
ZD555	093T 39S 34 T	UDZSNP5.6B ROHM	9JR9300000015
ZD556	093T 64 37 N	V-PORT-0603-100K V05	9JR9300000045
ZD557	093T 64 37 N	V-PORT-0603-100K V05	9JR9300000045
ZD558	093T 64 37 N	V-PORT-0603-100K V05	9JR9300000045
ZD559	093T 64 37 N	V-PORT-0603-100K V05	9JR9300000045
ZD560	093T 39S 34 T	UDZSNP5.6B ROHM	9JR9300000015
ZD561	093T 39S 34 T	UDZSNP5.6B ROHM	9JR9300000015
ZD562	093T 39S 34 T	UDZSNP5.6B ROHM	9JR9300000015
ZD563	093T 39S 34 T	UDZSNP5.6B ROHM	9JR9300000015
ZD650	093T 39S 34 T	UDZSNP5.6B ROHM	9JR9300000015
ZD651	093T 64 37 N	V-PORT-0603-100K V05	9JR9300000045
ZD652	093T 64 37 N	V-PORT-0603-100K V05	9JR9300000045
ZD653	093T 39S 34 T	UDZSNP5.6B ROHM	9JR9300000015
ZD654	093T 39S 34 T	UDZSNP5.6B ROHM	9JR9300000015
ZD655	093T 64 37 N	V-PORT-0603-100K V05	9JR9300000045
ZD656	093T 64 37 N	V-PORT-0603-100K V05	9JR9300000045
ZD657	093T 64 37 N	V-PORT-0603-100K V05	9JR9300000045
ZD658	093T 64 37 N	V-PORT-0603-100K V05	9JR9300000045
ZD659	093T 64 37 N	V-PORT-0603-100K V05	9JR9300000045
ZD660	093T 64 37 N	V-PORT-0603-100K V05	9JR9300000045
ZD661	093T 64 37 N	V-PORT-0603-100K V05	9JR9300000045
ZD702	093T 39S906 T	DIODE PDZ24B SOD-323 PHILIPS	9JR9300000016
ZD703	093T 39S906 T	DIODE PDZ24B SOD-323 PHILIPS	9JR9300000016
ZD704	093T 39S906 T	DIODE PDZ24B SOD-323 PHILIPS	9JR9300000016
Power PCB 1054 ADTV82420PA3 POWER PCB ASSY			
BD901	093T 50460 34	BRIDGE KBJ608G 6A/800V KBJ	9JR9300000040
C901	063T107K474 US	X2 CAP 0.47UF K 275VAC	9JR6300000006
C902	065G306K4712B3	Y1 CAP 470pF +-10% 250VAC CD SERIES	9JR6500000111
C903	065G306K4712B3	Y1 CAP 470pF +-10% 250VAC CD SERIES	9JR6500000111
C904	063T107K474 US	X2 CAP 0.47UF K 275VAC	9JR6300000006
C905	063T210K105HCJ	CAP MPH 1UF 500V 10%	9JR6300000008
C906	065T306M2222B3	CER Y2 2200PF M 400VAC TDK	9JR6500000107
C907	067G 4012115L	EC 120uF 450V LSG 30x25mm	9JR6700000053
C908	065T306M2222B3	CER Y2 2200PF M 400VAC TDK	9JR6500000107
C909	065T120622522K 3	CAP CHIP 2U2 25V X7R 1206 10%	9JR6500000158
C911	065T080510432K Y	CAP CHIP 0805 0.1UF K 50V X7R	9JR6500000071
C912	065T080522131J Y	CAP CHIP 0805 220PF J 50V NPO	9JR6500000149
C913	065T080533422K 3	CAP CHIP 0805 330N 25V X7R +/-10%	9JR6500000086
C914	065T080510522K 3	CAP CHIP 0805 1U 25V X7R +/-10%	9JR6500000145
C915	065G080510232K Y	CAP CHIP 0805 1N 50V X7R +/-10%	9JR6500000110
C916	065T080510031J Y	CAP CHIP 0805 10P 50V NPO +/-5%	9JR6500000143
C931	065T080533432K 3	CAP CHIP 0805 330N 50V X7R +/-10%	9JR6500000151
C932	065T080522422K 3	CAP CHIP 0805 220N 25V X7R -/+ 10%	9JR6500000150
C933	065T080522131J Y	CAP CHIP 0805 220PF J 50V NPO	9JR6500000149
C934	065T080510522K 3	CAP CHIP 0805 1U 25V X7R +/-10%	9JR6500000145
C935	065T080510432K Y	CAP CHIP 0805 0.1UF K 50V X7R	9JR6500000071
C936	065T080510432K Y	CAP CHIP 0805 0.1UF K 50V X7R	9JR6500000071
C937	065T080510432K Y	CAP CHIP 0805 0.1UF K 50V X7R	9JR6500000071
C939	065T120622522K 3	CAP CHIP 2U2 25V X7R 1206 10%	9JR6500000158
C940	065G080510232K Y	CAP CHIP 0805 1N 50V X7R +/-10%	9JR6500000110
C941	063T210J2735CC	CAP MPPS 27NF 1000V 5%	9JR6300000007

C942	065T080547232K Y	CAP CHIP 0805 4700PF K 50V X7R	9JR6500000152
C943	067G 515102 6C	EC 1000uF 35V GF 13x25mm	9JR6700000055
C944	067T 515471 6C	EC 470UF 35V GF 10*20mm	9JR6700000081
C945	065T080510432K Y	CAP CHIP 0805 0.1UF K 50V X7R	9JR6500000071
C946	067G215L4714CT	EC 470UF 25V GL 10*16mm	9JR6700000057
C947	067T 3152214CT	EC 220UF 25V GF 8*11.5mm	9JR6700000078
C948	065T080547332K Y	CAP CHIP 0805 47NF K 50V X7R	9JR6500000153
C959	067T 3051007CT	EC 10UF/50V KM 5*11mm	9JR6700000005
C960	065T 1K4719AT	C CAP. 470PF 1KV RR	9JR6500000115
C980	065T517K1522AT	C CAP. 1500PF 500V 10% B	9JR6500000163
C981	067G 3053307CT	105°C RADIAL E-CAPACTOR 33uF 50V	9JR6700000054
C982	065T080510131J Y	CAP CHIP 0805 100PF J 50V NPO	9JR6500000144
C983	065T080510432K Y	CAP CHIP 0805 0.1UF K 50V X7R	9JR6500000071
C984	064T 47J1031AT EU	F/C PPN 10N 100V 5%	9JR6400000002
C985	067G215D222 2C	EC 2200uF 10V GF22M010I200K040P 13*20mm	9JR6700000056
C986	067T 3054704CT	EC 47uF 25V KM 5x11mm	9JR6700000027
C987	065T080510432K Y	CAP CHIP 0805 0.1UF K 50V X7R	9JR6500000071
C989	065T080510432K Y	CAP CHIP 0805 0.1UF K 50V X7R	9JR6500000071
CN901	087T 501907 S	AC SOCKET V 3P ST-01DR-BBBS-3000	9JR8700000002
CN902	033T327812D	WAFER 12P PLUG	9JR3300000016
CN903	033T327813D	CONNECTOR	9JR3300000017
D902	093T 52 56	DIODE FMN-1106S 10A/600V TO-220	9JR9300000020
D903	093G 6432V	LL4148-GSO8	9JR9300000001
D914	095T 90 23	JUMP WIRE	9JR9500000037
D935	093T 60910	DIODE 40V/10A SBF1040CT ITO-220AB	9JR9300000023
D951	093G 64901 T	DIO SIG SM BAV103 (VISH) R	9JR9300000036
D952	093G 64901 T	DIO SIG SM BAV103 (VISH) R	9JR9300000036
D955	093T 60270	MBRF20100CT ITO-220AB	9JR9300000042
D956	093T 60910	DIODE 40V/10A SBF1040CT ITO-220AB	9JR9300000023
D980	093T110090052T	DIODE UG1007 1A 1000V DO-41	9JR9300000056
D981	093T 6432V	LL4148-GSO8 SMD BY VISHA	9JR9300000046
D982	093T 6490352T	DIODE RGP10D DO-41	9JR9300000028
F901	084T 41 7 C	FUSE 5A 250V,Time Lag Fuse	9JR8400000003
F903	084T 55 2	FUSE	9JR8400000004
FB904	071T 55909	FERRITE CORE 2.5*3*0.8 BF-L25030W-768	9JR7100000008
FB905	095T 90 23	JUMP WIRE	9JR9500000037
FB980	071T 55909	FERRITE CORE 2.5*3*0.8 BF-L25030W-768	9JR7100000008
IC901	056T 379901	IC SG6961	9JR5600000008
IC931	056T 581 7	IC TNY277PN DIP-8C	9JR5600000015
IC932	056T 139 3B	IC PC123Y82FZ0F	9JR5600000003
IC951	056T 665 10 1	IC RESONANT L6599DTR SO-16N ST	9JR5600000024
IC952	056T 139 3B	IC PC123Y82FZ0F	9JR5600000003
IC953	056T 158900	IC TL431CZ-AP TO92 ST	9JR5600000028
IC982	056T 158900	IC TL431CZ-AP TO92 ST	9JR5600000028
IC991	056T 139 3B	IC PC123Y82FZ0F	9JR5600000003
L901	073T 174106 L	LINE FILTER 13mH LF-1008108	9JR7300000028
L902	073T 174106 L	LINE FILTER 13mH LF-1008108	9JR7300000028
L903	071T 55910 H	FERRITE CORE H75 6*10 BF-I60100R-706	9JR7100000017
L904	071T 55910 H	FERRITE CORE H75 6*10 BF-I60100R-706	9JR7100000017
L905	071T 55910 H	FERRITE CORE H75 6*10 BF-I60100R-706	9JR7100000017
L906	073T 174929 L	PFC CHOKE 290uH 210mohm CC-010745	9JR7300000029
L907	073T 5433010T	PEAKING COIL 33U 10%	9JR7300000025
L931	073T 253 91 H	CHOKE COIL	9JR7300000012
L971	073T 253150 H	IND CHOKE 3.0uH+-10% DADON	9JR7300000030
L980	073T 253 91 H	CHOKE COIL	9JR7300000012
NR901	061T 58909 W	NTC 1R5/5A SCK101R55LG Y	9JR6100000185
Q901	057T 667 25	STW20NM60	9JR5700000032
Q931	057T 761900 T	TRA BC857C 100mA/50V SOT-23	9JR5700000035
Q945	057G 419904 T	TRA SIG BC337-40 (KEC0) A	9JR5700000023
Q951	057T 667 50	TRA STP10NK60ZFP 10A/600V TO-220FP	9JR5700000033
Q952	057T 667 50	TRA STP10NK60ZFP 10A/600V TO-220FP	9JR5700000033
Q988	057T 763904	FET 2N7002 PHILIPS	9JR5700000021
Q992	057T 763904	FET 2N7002 PHILIPS	9JR5700000021
Q993	057T 763904	FET 2N7002 PHILIPS	9JR5700000021
R901	061G1206154	RST CHIPR 150K OHM +-5% 1/4W	9JR6100000180
R902	061G1206154	RST CHIPR 150K OHM +-5% 1/4W	9JR6100000180
R903	061G1206154	RST CHIPR 150K OHM +-5% 1/4W	9JR6100000180
R905	061T0805473	RST CHIPR 47 KOHM +-5% 1/8W	9JR6100000151
R907	061T0805333	RST CHIPR 33 KOHM +-5% 1/8W	9JR6100000145
R908	061T0805333	RST CHIPR 33 KOHM +-5% 1/8W	9JR6100000145
R909	061G08056800FY	RST CHIP 680R 1/8W 1%	9JR6100000179
R910	061T12061004FY	RST CHIPR 1 MOHM +-1% 1/4W YAGEO	9JR6100000272
R911	061T12061004FY	RST CHIPR 1 MOHM +-1% 1/4W YAGEO	9JR6100000272
R912	061T12061004FY	RST CHIPR 1 MOHM +-1% 1/4W YAGEO	9JR6100000272

LC-26SB25E/S/RU, LC-32SB25E/S/RU, LC-42SB55E/S/RU

R913	061T0805180 2F	RST CHIPR 18 KOHM +-1% 1/8W	9JR6100000138
R915	061T152M12852T SY	RST MOF 0R12 5% 2W	9JR6100000277
R916	061T0805513	RST CHIPR 51 KOHM +-5% 1/8W	9JR6100000268
R917	061T0805221	RST CHIPR 220 OHM +-5% 1/8W	9JR6100000260
R918	061T0805100	RST CHIPR 10 OHM +-5% 1/8W	9JR6100000124
R919	061T0805470	RST CHIPR 47 OHM +-5% 1/8W	9JR6100000149
R931	061T0805304	RST CHIPR 300 KOHM +-5% 1/8W	9JR6100000262
R933	061T 17220552T TZ	RST CFR 2M 1/4W 5%	9JR6100000189
R934	061T1206205	RST CHIPR 2 MOHM +-5% 1/4W	9JR6100000274
R935	061T1206205	RST CHIPR 2 MOHM +-5% 1/4W	9JR6100000274
R936	061T0805100	RST CHIPR 10 OHM +-5% 1/8W	9JR6100000124
R937	061T0805100 Y	RST CHIPR 10 OHM +-5% 1/8W YAGEO	9JR6100000256
R945	061G0805103	RST CHIPR 10K OHM +-5% 1/8W	9JR6100000171
R950	061G0805104	RST CHIPR 100K OHM +-5% 1/8W	9JR6100000172
R953	061T1206205	RST CHIPR 2 MOHM +-5% 1/4W	9JR6100000274
R954	061T1206205	RST CHIPR 2 MOHM +-5% 1/4W	9JR6100000274
R955	061T 17220552T TZ	RST CFR 2M 1/4W 5%	9JR6100000189
R956	061T0805273	RST CHIPR 27 KOHM +-5% 1/8W	9JR6100000261
R957	061T0805103	RST CHIPR 10 KOHM +-5% 1/8W	9JR6100000127
R958	061T0805180 2F	RST CHIPR 18 KOHM +-1% 1/8W	9JR6100000138
R959	061G0805105	RST CHIPR 1M OHM +-5% 1/8W	9JR6100000173
R960	061T0805220	RST CHIPR 22 OHM +-5% 1/8W	9JR6100000139
R961	061T0805513	RST CHIPR 51 KOHM +-5% 1/8W	9JR6100000268
R962	061T0805220	RST CHIPR 22 OHM +-5% 1/8W	9JR6100000139
R963	061T0805513	RST CHIPR 51 KOHM +-5% 1/8W	9JR6100000268
R964	061T0805102	RST CHIPR 1KOHM +-5% 1/4W	9JR6100000257
R965	061T152M43852T	RST MOF 0R43 5% 2W	9JR6100000278
R966	061T08053901FY	RST CHIPR 3.9KOHM +-1% 1/8W YAGEO	9JR6100000265
R967	061T0805101	RST CHIPR 100 OHM +-5% 1/8W	9JR6100000126
R968	061T0805103	RST CHIPR 10 KOHM +-5% 1/8W	9JR6100000127
R969	061T0805332 Y	RST CHIPR 3.3KOHM +-5% 1/8W YAGEO	9JR6100000263
R971	095T 90 23	JUMP WIRE	9JR9500000037
R972	061T0805205 2F	RST CHIPR 20.5KOHM +-1% 1/8W	9JR6100000259
R973	061G0805196 1F	RST CHIP 1.96K 1/8W 1%	9JR6100000176
R974	061T1206512 Y	RST CHIPR 5.1KOHM +-5% 1/4W YAGEO	9JR6100000276
R977	061T203S24252T TZ	RST MFLM 2K4 0.6W 1%	9JR6100000279
R980	061T 60247252T TZ	RST CFR 4K7 1/6W 5%	9JR6100000036
R981	061T08054702FY	RST CHIPR 47KOHM +-1% 1/8W YAGEO	9JR6100000266
R982	061T0805470	RST CHIPR 47 OHM +-5% 1/8W	9JR6100000149
R983	061T0805221	RST CHIPR 220 OHM +-5% 1/8W	9JR6100000260
R984	061T0805123	RST CHIPR 12 KOHM +-5% 1/8W	9JR6100000258
R985	061T0805103	RST CHIPR 10 KOHM +-5% 1/8W	9JR6100000127
R986	061T0805101	RST CHIPR 100 OHM +-5% 1/8W	9JR6100000126
R987	061G 60210152T TZ	RST CFR 100R 1/6W 5%	9JR6100000169
R988	061G0805394	RST CHIPR 390 KOHM +-5% 1/8W	9JR6100000178
R990	061T0805000	RST CHIP MAX 0R05 1/8W	9JR6100000254
R991	061G08051102FY	RST CHIP 11K 1/8W 1%	9JR6100000174
R992	061G0805180 2F	RST CHIPR 18 KOHM +-1% 1/8W	9JR6100000175
R993	061G08052202FY	RST CHIPR 22KOHM +-1% 1/8W YAGEO	9JR6100000177
R994	061G0805104	RST CHIPR 100K OHM +-5% 1/8W	9JR6100000172
R995	061T0805332 Y	RST CHIPR 3.3KOHM +-5% 1/8W YAGEO	9JR6100000263
R996	061T0805100	RST CHIPR 10 OHM +-5% 1/8W	9JR6100000124
R997	061T0805102	RST CHIPR 1KOHM +-5% 1/4W	9JR6100000257
R998	061T0805000	RST CHIP MAX 0R05 1/8W	9JR6100000254
RV901	061T 46906 W	VARISTOR 560V TVR14561KFC4FY	9JR6100000182
RV903	061T 46902	VARISTOR 510V TVR14511KFC4FY	9JR6100000181
SG901	062T 10 18 M	SPARK GAP 200V DSP201M-A21F	9JR6200000003
SG902	062T 10 18 M	SPARK GAP 200V DSP201M-A21F	9JR6200000003
SG903	062T 10 18 M	SPARK GAP 200V DSP201M-A21F	9JR6200000003
SG904	062T 10 18 M	SPARK GAP 200V DSP201M-A21F	9JR6200000003
T901	080TL42T916 L	XFMR 950uH PT-009601-3	9JR8000000003
T902	080TL32T 7 L	X'FMR 600uH PT-009716	9JR8000000007
ZD931	093T 39GA26 T	ZENER DIODE RLZ5.1B SEMTECH	9JR9300000051
ZD935	093T 39GA03 T	RLZ15B	9JR9300000050
ZD937	093T 39GA03 T	RLZ15B	9JR9300000050
ZD965	093G 39S 42 T	RLZ27B LLDS	9JR9300000037
ZD966	093T 39GA03 T	RLZ15B	9JR9300000050
ZD980	093G 3919352T	TVS P6KE160A DO-15	9JR9300000033
IR PCB 1056	IRPF8PB7	IR PCB ASSY	
C001	065T0603105A7Z Y	CAP CHIP 0603 1U 10V Y5V -20%+80%	9JR6500000046
C002	065T060310337Z Y	CAP CHIP 0603 10N 50V Y5V -20%+80%	9JR6500000033
C004	065T060310437Z Y	CAP CHIP 0603 0.1UF Z 50V Y5V	9JR6500000038

CN001	033T8032 5R H X	CON H 5P M 1.25 S1315-05RVA-1C	9JR3300000030
LED001	081T 14908 KB	LED SM KPB-3025SURKCGKC	9JR8100000001
Q001	057T 477900 T	TRA BC847C 100mA/50V SOT-23	9JR5700000010
Q002	057T 477900 T	TRA BC847C 100mA/50V SOT-23	9JR5700000010
R001	061T0603511 Y	RST CHIPR 510 OHM +-5% 1/10W YAGEO	9JR6100000249
R002	061T0603471 Y	RST CHIPR 470 OHM +-5% 1/10W YAGEO	9JR6100000111
R004	061T0603222 Y	RST CHIPR 2.2KOHM +-5% 1/10W YAGEO	9JR6100000091
R006	061T0603222 Y	RST CHIPR 2.2KOHM +-5% 1/10W YAGEO	9JR6100000091
R007	061T0603272 Y	RST CHIPR 2.7KOHM +-5% 1/10W YAGEO	9JR6100000098
R008	061T0603101 Y	RST CHIPR 100 OHM +-5% 1/10W YAGEO	9JR6100000066
U001	056T 627902	IC TSOP34438ST1	9JR5600000021
Key PCB 1057 KEPF8PB2 KEY BOARD			
C023	065T060310437Z Y	CAP CHIP 0603 0.1UF Z 50V Y5V	9JR6500000038
C024	065T060310437Z Y	CAP CHIP 0603 0.1UF Z 50V Y5V	9JR6500000038
CN016	033T3802 4 H X	WAFER 4P RIGHT ANGLE PITCH 2.0	9JR3300000019
R016	061T0603113 Y	RST CHIPR 11KOHM +-5% 1/10W YAGEO	9JR6100000218
R017	061T0603432 Y	RST CHIPR 4.3KOHM +-5% 1/10W YAGEO	9JR6100000105
R018	061T0603182 Y	RST CHIPR 1.8KOHM +-5% 1/10W YAGEO	9JR6100000082
R019	061T0603471 Y	RST CHIPR 470 OHM +-5% 1/10W YAGEO	9JR6100000111
R020	061T0603113 Y	RST CHIPR 11KOHM +-5% 1/10W YAGEO	9JR6100000218
R021	061T0603432 Y	RST CHIPR 4.3KOHM +-5% 1/10W YAGEO	9JR6100000105
R022	061T0603182 Y	RST CHIPR 1.8KOHM +-5% 1/10W YAGEO	9JR6100000082
SW016	077T 600 1GCJ	TACT SWITCH TSPB-2 -NP	9JR7700000001
SW017	077T 600 1GCJ	TACT SWITCH TSPB-2 -NP	9JR7700000001
SW018	077T 600 1GCJ	TACT SWITCH TSPB-2 -NP	9JR7700000001
SW019	077T 600 1GCJ	TACT SWITCH TSPB-2 -NP	9JR7700000001
SW020	077T 600 1GCJ	TACT SWITCH TSPB-2 -NP	9JR7700000001
SW021	077T 600 1GCJ	TACT SWITCH TSPB-2 -NP	9JR7700000001
SW022	077T 600 1GCJ	TACT SWITCH TSPB-2 -NP	9JR7700000001

Model: LC-26SB25E(CMO)			
Item	Code number	Description	Sharp C/N
Mechanical Parts			
35	705TP833007	KEY PAD ASSY	9JR7050000011
30	705TP834023	BEZEL ASSY	9JR7050000012
40	705TP834024	REAR COVER ASSY	9JR7050000013
50	705TP837008	BASE ASSY	9JR7050000018
60	705TP837012	BASE STAND ASSY	9JR7050000022
110	P11T0020101	COVER_SERVICE	9JR1100000001
1185	078T 495902 2M	Speaker 8ohm/6W 120mmX30mm	9JR7800000003
1186	078T 495902 2M	Speaker 8ohm/6W 120mmX30mm	9JR7800000003
Accessory			
135	705TZ841028	DFU ASSY	9JR7050000023
136	705TZ841031	DFU ASSY	9JR7050000024
144	P41TN025843 1C	QSG-1 (Western & North Europe)	9JR4100000008
145	P41TN026843 1B	QSG-2 (Eastern Europe & Russia)	9JR4100000009
1172	089T404A18NHT2	POWER CORD 1.8M 4L4L-040-00K	9JR8900000003
1176	098TRABD5NESH	REMOTE CONTROL RL57S	9JR9800000002
Packing			
450	P44TE009843 1A	CARTON	9JR4400000012
451	705TZ8CS007	CUSHION ASSY	9JR7050000026
miscellanea			
96	0Q1T 930 8 47 CR3	SCREW	9JR0100000007
97	0M1T 940 16 47 CR3	SCREW M4X6	9JR0100000002
98	0Q1T 940 16 47 CR3	SCREW	9JR0100000020
99	0Q1T1040 8120	SCREW	9JR0100000010
100	0M1T1430 5120	SCREW TAPPING M3X5	9JR0100000018
101	0M1T1730 8106 CR3	SCREW	9JR0100000019
102	0M1T1140 6120	SCREW 4*6MM	9JR0100000003
103	0M1T 330 6 47 CR3	SCREW	9JR0100000001
106	0Q1T1830 12 47 CR3	SCREW_THW K30x12 PT W=8.5	9JR0100000022
107	0M1T 330 4120	SCREW	9JR0100000016
126	P40TEV0084316A	RATING LABEL	9JR4000000025
127	P40TA00081328A	FAMILY SHEET- SERVICE	9JR4000000004
130	P40TE00084334A	CARTON LABEL	9JR4000000024
137	P40TE00084330B	LABEL_SIDE_IO	9JR4000000023
143	P45T 48005 1A	P.E. BAG(100 X 70)	9JR4500000003
455	P45T 46025	PE BAG(800X650-0.72mm)	9JR4500000007
8390	095T8014 4F928	HARNESS 4P-4P 490mm 75274	9JR9500000010
8391	095T8014 5F915	HARNESS 5P-5P 380mm 75273	9JR9500000013
8600	095T8013 2FA15	Harness 2P-FAST*2 440mm 76821	9JR9500000035
8601	095T8013 3FA07	Harness 3P-FAST*2 770mm 76822	9JR9500000036
8750	095T8018 40900 FP	HARNESS 40P-FFC 230mm 75270	9JR9500000021
8902	095T801412FA15	Harness 12P-12P 115mm 76810	9JR9500000031
8903	095T801414F924	HARNESS 14P-13P 220mm 75271	9JR9500000019
LCD panel			
1050	750TVM260B1111N000	PANEL V260B1-L11 26" CMO TW	9JR7500000002
1050	750TVM260B1113N000	PANEL V260B1-L11 NH CMO	9JR7500000006
PCB assy			
1053	CBPF82MBPM	Main Pcb Assy SHARP 26"-CMO	9JR9900000007
1054	ADTV82420PA3	POWER PCB ASSY	9JR9900000005
1056	IRPF8PB7	IR PCB ASSY	9JR9900000009
1057	KEPF8PB2	KEY BOARD	9JR9900000010
Main PCB			
1053	CBPF82MBPM	Main Pcb Assy SHARP 26"-CMO	
1261	TUPF8PD4	TUNER+EEPROM ASSY	9JR9900000016
1262	705TP856111	NOR FLASH ASSY (U390)	9JR7050000035

1302	705TP856110	Serial IIC EEPROM ASSY (CMO-Panasonic)	9JR7050000034
C102	065T060333312K Y	CAP CHIP 0603 33N 16V X7R +/-10%	9JR6500000053
C104	065T060333312K Y	CAP CHIP 0603 33N 16V X7R +/-10%	9JR6500000053
C105	065T060310412K Y	CAP CHIP 0603 0.1UF K 16V X7R	9JR6500000036
C106	065T060310412K Y	CAP CHIP 0603 0.1UF K 16V X7R	9JR6500000036
C107	067T 215471 3C	EC 470uF 16V GF 8x16mm	9JR6700000004
C108	065T120610612K 3	CHIP 10uF 16V X7R 10%	9JR6500000098
C109	065T060310412K Y	CAP CHIP 0603 0.1UF K 16V X7R	9JR6500000036
C114	065T0805475A7Z Y	CAP CHIP 4.7UF 10V Y5V -20%~+80%	9JR6500000097
C117	065T0805106A7Z Y	CAP CHIP 0805 10UF Z 10V Y5V	9JR6500000077
C118	065T060310412K Y	CAP CHIP 0603 0.1UF K 16V X7R	9JR6500000036
C119	065T060310412K Y	CAP CHIP 0603 0.1UF K 16V X7R	9JR6500000036
C121	065T060310412K Y	CAP CHIP 0603 0.1UF K 16V X7R	9JR6500000036
C123	065T060310412K Y	CAP CHIP 0603 0.1UF K 16V X7R	9JR6500000036
C124	065T040210412K Y	CAP CHIP 0402 100N 16V X7R +/-10%	9JR6500000014
C125	065T060310412K Y	CAP CHIP 0603 0.1UF K 16V X7R	9JR6500000036
C126	065T060310412K Y	CAP CHIP 0603 0.1UF K 16V X7R	9JR6500000036
C127	065T0805106A7Z Y	CAP CHIP 0805 10UF Z 10V Y5V	9JR6500000077
C128	065T060333131J Y	CAP CHIP 0603 330PF J 50V NPO	9JR6500000051
C129	065T060333131J Y	CAP CHIP 0603 330PF J 50V NPO	9JR6500000051
C132	065T120610612K 3	CHIP 10uF 16V X7R 10%	9JR6500000098
C151	065T060310412K Y	CAP CHIP 0603 0.1UF K 16V X7R	9JR6500000036
C152	067T 3114713ET	EC 470uF 16V RVJ 8x10mm	9JR6700000076
C153	065T0805106A5K 3	CHIP 10uF 10V X5R 10%	9JR6500000148
C156	065T060310412K Y	CAP CHIP 0603 0.1UF K 16V X7R	9JR6500000036
C157	065T120647522K 3	CER 1206 4U7 25V X7R +/-10%	9JR6500000162
C158	065T060310412K Y	CAP CHIP 0603 0.1UF K 16V X7R	9JR6500000036
C160	065T040210412K Y	CAP CHIP 0402 100N 16V X7R +/-10%	9JR6500000014
C161	067T511F1013CT	EC SMD 100U 16V MV 6.3x7.7mm	9JR6700000094
C162	067T 3111013ET	EC 100uF 16V VEL 6.3x5.5mm	9JR6700000069
C164	065T040210412K Y	CAP CHIP 0402 100N 16V X7R +/-10%	9JR6500000014
C166	065T060310412K Y	CAP CHIP 0603 0.1UF K 16V X7R	9JR6500000036
C167	067T511F1004CT	EC SMD 10U 25V MV 4x5.5mm	9JR6700000093
C168	065T0805106A5K 3	CHIP 10uF 10V X5R 10%	9JR6500000148
C169	065T040210412K Y	CAP CHIP 0402 100N 16V X7R +/-10%	9JR6500000014
C170	067T 3111013ET	EC 100uF 16V VEL 6.3x5.5mm	9JR6700000069
C171	065T0805106A5K 3	CHIP 10uF 10V X5R 10%	9JR6500000148
C172	067T 305471 6E	EC 470uF 35V RGA 10x16mm	9JR6700000030
C173	065T040210412K Y	CAP CHIP 0402 100N 16V X7R +/-10%	9JR6500000014
C175	065T0805106A5K 3	CHIP 10uF 10V X5R 10%	9JR6500000148
C176	065T060310221J Y	CAP CHIP 0603 1NF J 25V MPO	9JR6500000027
C177	067T 3114703ET	EC SMD 47uF 16V VEJ 6.3x5.3mm	9JR6700000073
C178	067T 3114703ET	EC SMD 47uF 16V VEJ 6.3x5.3mm	9JR6700000073
C200	067T 3114703ET	EC SMD 47uF 16V VEJ 6.3x5.3mm	9JR6700000073
C201	065T060310412K Y	CAP CHIP 0603 0.1UF K 16V X7R	9JR6500000036
C202	067T 3111013ET	EC 100uF 16V VEL 6.3x5.5mm	9JR6700000069
C203	065T060310412K Y	CAP CHIP 0603 0.1UF K 16V X7R	9JR6500000036
C204	065T060310332K Y	CAP CHIP 0603 10NF K 50V X7R	9JR6500000031
C205	065T0805106A7Z Y	CAP CHIP 0805 10UF Z 10V Y5V	9JR6500000077
C206	065T060310412K Y	CAP CHIP 0603 0.1UF K 16V X7R	9JR6500000036
C207	065T040210312K Y	CAP CHIP 0402 10N 16V X7R +/-10%	9JR6500000011
C208	065T040210312K Y	CAP CHIP 0402 10N 16V X7R +/-10%	9JR6500000011
C209	065T060310412K Y	CAP CHIP 0603 0.1UF K 16V X7R	9JR6500000036
C210	065T040247312K 3	CHIP CAP 47N 16V X7R 10%	9JR6500000125
C211	065T060347031J Y	CAP CHIP 0603 47PF J 50V NPO	9JR6500000055
C212	065T040210412K Y	CAP CHIP 0402 100N 16V X7R +/-10%	9JR6500000014
C213	065T060310512K 3	MLCC 0603 CAP 1uF K 16V X7R	9JR6500000043
C214	065T0805475A2K 3	CAP CHIP 4.7UF 10V X7R +/- 10%	9JR6500000092
C215	065T060310412K Y	CAP CHIP 0603 0.1UF K 16V X7R	9JR6500000036
C216	065T0805106A7Z Y	CAP CHIP 0805 10UF Z 10V Y5V	9JR6500000077
C217	065T060310412K Y	CAP CHIP 0603 0.1UF K 16V X7R	9JR6500000036
C218	065T0805106A7Z Y	CAP CHIP 0805 10UF Z 10V Y5V	9JR6500000077
C219	065T060310412K Y	CAP CHIP 0603 0.1UF K 16V X7R	9JR6500000036
C220	065T0805106A7Z Y	CAP CHIP 0805 10UF Z 10V Y5V	9JR6500000077
C221	065T040210505K 3	CAP CHIP 0402 1UF 6V3 X5R +/-10%	9JR6500000117
C222	067T 3114713ET	EC 470uF 16V RVJ 8x10mm	9JR6700000076
C229	065T040210412K Y	CAP CHIP 0402 100N 16V X7R +/-10%	9JR6500000014

LC-26SB25E/S/RU, LC-32SB25E/S/RU, LC-42SB55E/S/RU

C230	065T040210232K	Y	CAP CHIP 0402 1N 50V X7R +/-10%	9JR650000009
C231	065T040227031J	3	CAP CHIP 0402 27P 50V NPO +/-5%	9JR650000119
C232	065T060310412K	Y	CAP CHIP 0603 0.1UF K 16V X7R	9JR650000036
C233	065T060310412K	Y	CAP CHIP 0603 0.1UF K 16V X7R	9JR650000036
C234	065T060310412K	Y	CAP CHIP 0603 0.1UF K 16V X7R	9JR650000036
C235	065T060310412K	Y	CAP CHIP 0603 0.1UF K 16V X7R	9JR650000036
C236	065T060310412K	Y	CAP CHIP 0603 0.1UF K 16V X7R	9JR650000036
C238	065T060310412K	Y	CAP CHIP 0603 0.1UF K 16V X7R	9JR650000036
C239	065T060310412K	Y	CAP CHIP 0603 0.1UF K 16V X7R	9JR650000036
C240	065T060310412K	Y	CAP CHIP 0603 0.1UF K 16V X7R	9JR650000036
C241	065T060310412K	Y	CAP CHIP 0603 0.1UF K 16V X7R	9JR650000036
C242	065T060310412K	Y	CAP CHIP 0603 0.1UF K 16V X7R	9JR650000036
C243	065T060310412K	Y	CAP CHIP 0603 0.1UF K 16V X7R	9JR650000036
C244	065T040210412K	Y	CAP CHIP 0402 100N 16V X7R +/-10%	9JR650000014
C245	065T060310412K	Y	CAP CHIP 0603 0.1UF K 16V X7R	9JR650000036
C246	065T060310412K	Y	CAP CHIP 0603 0.1UF K 16V X7R	9JR650000036
C247	065T060310412K	Y	CAP CHIP 0603 0.1UF K 16V X7R	9JR650000036
C248	065T060310412K	Y	CAP CHIP 0603 0.1UF K 16V X7R	9JR650000036
C249	065T060310412K	Y	CAP CHIP 0603 0.1UF K 16V X7R	9JR650000036
C251	065T060310512K	3	MLCC 0603 CAP 1uF K 16V X7R	9JR650000043
C252	065T040210505K	3	CAP CHIP 0402 1UF 6V3 X5R +/-10%	9JR650000117
C254	065T060310512K	3	MLCC 0603 CAP 1uF K 16V X7R	9JR650000043
C255	065T0805475A2K	3	CAP CHIP 4.7UF 10V X7R +/- 10%	9JR650000092
C256	065T060310512K	3	MLCC 0603 CAP 1uF K 16V X7R	9JR650000043
C258	065T040210412K	Y	CAP CHIP 0402 100N 16V X7R +/-10%	9JR650000014
C259	065T040210412K	Y	CAP CHIP 0402 100N 16V X7R +/-10%	9JR650000014
C260	065T040210412K	Y	CAP CHIP 0402 100N 16V X7R +/-10%	9JR650000014
C261	065T040210412K	Y	CAP CHIP 0402 100N 16V X7R +/-10%	9JR650000014
C262	065T040210412K	Y	CAP CHIP 0402 100N 16V X7R +/-10%	9JR650000014
C263	065T040210412K	Y	CAP CHIP 0402 100N 16V X7R +/-10%	9JR650000014
C264	065T040210412K	Y	CAP CHIP 0402 100N 16V X7R +/-10%	9JR650000014
C265	065T040210412K	Y	CAP CHIP 0402 100N 16V X7R +/-10%	9JR650000014
C266	065T040210412K	Y	CAP CHIP 0402 100N 16V X7R +/-10%	9JR650000014
C267	065T040210412K	Y	CAP CHIP 0402 100N 16V X7R +/-10%	9JR650000014
C268	065T040210412K	Y	CAP CHIP 0402 100N 16V X7R +/-10%	9JR650000014
C269	065T040210412K	Y	CAP CHIP 0402 100N 16V X7R +/-10%	9JR650000014
C270	065T040210412K	Y	CAP CHIP 0402 100N 16V X7R +/-10%	9JR650000014
C271	065T040210412K	Y	CAP CHIP 0402 100N 16V X7R +/-10%	9JR650000014
C272	065T040210412K	Y	CAP CHIP 0402 100N 16V X7R +/-10%	9JR650000014
C273	065T040210412K	Y	CAP CHIP 0402 100N 16V X7R +/-10%	9JR650000014
C274	065T060310512K	3	MLCC 0603 CAP 1uF K 16V X7R	9JR650000043
C275	065T0805475A2K	3	CAP CHIP 4.7UF 10V X7R +/- 10%	9JR650000092
C276	065T0805475A2K	3	CAP CHIP 4.7UF 10V X7R +/- 10%	9JR650000092
C277	065T060310512K	3	MLCC 0603 CAP 1uF K 16V X7R	9JR650000043
C278	065T060310412K	Y	CAP CHIP 0603 0.1UF K 16V X7R	9JR650000036
C279	065T060322412K	Y	CAP CHIP 0603 0.22UF K 16V X7R	9JR650000137
C280	065T0805106A7Z	Y	CAP CHIP 0805 10UF Z 10V Y5V	9JR650000077
C281	065T0805106A7Z	Y	CAP CHIP 0805 10UF Z 10V Y5V	9JR650000077
C282	065T040210031J	3	CAP CHIP 0402 10P 50V NPO +/-5%	9JR650000116
C283	065T0805106A7Z	Y	CAP CHIP 0805 10UF Z 10V Y5V	9JR650000077
C284	065T060322412K	Y	CAP CHIP 0603 0.22UF K 16V X7R	9JR650000137
C285	065T060347312K	Y	CAP CHIP 0603 47N 16V X7R +/-10%	9JR650000059
C286	065T040227031J	3	CAP CHIP 0402 27P 50V NPO +/-5%	9JR650000119
C287	065T040210232K	Y	CAP CHIP 0402 1N 50V X7R +/-10%	9JR650000009
C290	065T060322412K	Y	CAP CHIP 0603 0.22UF K 16V X7R	9JR650000137
C292	065T060310412K	Y	CAP CHIP 0603 0.1UF K 16V X7R	9JR650000036
C293	065T060310412K	Y	CAP CHIP 0603 0.1UF K 16V X7R	9JR650000036
C302	065T040210412K	Y	CAP CHIP 0402 100N 16V X7R +/-10%	9JR650000014
C303	065T040210412K	Y	CAP CHIP 0402 100N 16V X7R +/-10%	9JR650000014
C304	065T060310031J	Y	MLCC 0603 10PF J 50V NPO	9JR650000025
C305	065T060310031J	Y	MLCC 0603 10PF J 50V NPO	9JR650000025
C306	065T040210412K	Y	CAP CHIP 0402 100N 16V X7R +/-10%	9JR650000014
C307	065T040210412K	Y	CAP CHIP 0402 100N 16V X7R +/-10%	9JR650000014
C308	065T060310221J	Y	CAP CHIP 0603 1NF J 25V MPO	9JR650000027
C309	065T060310512K	3	MLCC 0603 CAP 1uF K 16V X7R	9JR650000043
C310	065T060310512K	3	MLCC 0603 CAP 1uF K 16V X7R	9JR650000043
C311	065T060310512K	3	MLCC 0603 CAP 1uF K 16V X7R	9JR650000043

C318	065T040210412K	Y	CAP CHIP 0402 100N 16V X7R +/-10%	9JR6500000014
C319	065T0805475A2K	3	CAP CHIP 4.7UF 10V X7R +/- 10%	9JR6500000092
C321	067T 3111013ET		EC 100uF 16V VEL 6.3x5.5mm	9JR6700000069
C322	065T060310512K	3	MLCC 0603 CAP 1uF K 16V X7R	9JR6500000043
C323	065T0805475A2K	3	CAP CHIP 4.7UF 10V X7R +/- 10%	9JR6500000092
C324	065T040210412K	Y	CAP CHIP 0402 100N 16V X7R +/-10%	9JR6500000014
C325	065T040210312K	Y	CAP CHIP 0402 10N 16V X7R +/-10%	9JR6500000011
C326	065T0805475A2K	3	CAP CHIP 4.7UF 10V X7R +/- 10%	9JR6500000092
C327	065T040210412K	Y	CAP CHIP 0402 100N 16V X7R +/-10%	9JR6500000014
C329	065T060310512K	3	MLCC 0603 CAP 1uF K 16V X7R	9JR6500000043
C330	065T040210412K	Y	CAP CHIP 0402 100N 16V X7R +/-10%	9JR6500000014
C350	067T511F1013CT		EC SMD 100U 16V MV 6.3x7.7mm	9JR6700000094
C351	065T0805475A2K	3	CAP CHIP 4.7UF 10V X7R +/- 10%	9JR6500000092
C352	065T060310512K	3	MLCC 0603 CAP 1uF K 16V X7R	9JR6500000043
C353	065T040210412K	Y	CAP CHIP 0402 100N 16V X7R +/-10%	9JR6500000014
C354	065T040210412K	Y	CAP CHIP 0402 100N 16V X7R +/-10%	9JR6500000014
C355	065T040210412K	Y	CAP CHIP 0402 100N 16V X7R +/-10%	9JR6500000014
C356	065T040210412K	Y	CAP CHIP 0402 100N 16V X7R +/-10%	9JR6500000014
C357	065T040210412K	Y	CAP CHIP 0402 100N 16V X7R +/-10%	9JR6500000014
C358	065T060310512K	3	MLCC 0603 CAP 1uF K 16V X7R	9JR6500000043
C359	065T040210412K	Y	CAP CHIP 0402 100N 16V X7R +/-10%	9JR6500000014
C360	065T040210412K	Y	CAP CHIP 0402 100N 16V X7R +/-10%	9JR6500000014
C361	065T040210412K	Y	CAP CHIP 0402 100N 16V X7R +/-10%	9JR6500000014
C362	065T0805475A2K	3	CAP CHIP 4.7UF 10V X7R +/- 10%	9JR6500000092
C363	065T0805475A2K	3	CAP CHIP 4.7UF 10V X7R +/- 10%	9JR6500000092
C364	065T060310512K	3	MLCC 0603 CAP 1uF K 16V X7R	9JR6500000043
C365	065T040210412K	Y	CAP CHIP 0402 100N 16V X7R +/-10%	9JR6500000014
C366	065T040210412K	Y	CAP CHIP 0402 100N 16V X7R +/-10%	9JR6500000014
C367	065T040210412K	Y	CAP CHIP 0402 100N 16V X7R +/-10%	9JR6500000014
C368	065T040210412K	Y	CAP CHIP 0402 100N 16V X7R +/-10%	9JR6500000014
C369	067T 3111013ET		EC 100uF 16V VEL 6.3x5.5mm	9JR6700000069
C370	065T040210412K	Y	CAP CHIP 0402 100N 16V X7R +/-10%	9JR6500000014
C371	065T060310512K	3	MLCC 0603 CAP 1uF K 16V X7R	9JR6500000043
C373	065T040210412K	Y	CAP CHIP 0402 100N 16V X7R +/-10%	9JR6500000014
C374	065T040210412K	Y	CAP CHIP 0402 100N 16V X7R +/-10%	9JR6500000014
C375	065T040210412K	Y	CAP CHIP 0402 100N 16V X7R +/-10%	9JR6500000014
C376	065T040210412K	Y	CAP CHIP 0402 100N 16V X7R +/-10%	9JR6500000014
C377	065T040210412K	Y	CAP CHIP 0402 100N 16V X7R +/-10%	9JR6500000014
C378	065T040210412K	Y	CAP CHIP 0402 100N 16V X7R +/-10%	9JR6500000014
C379	065T0805475A2K	3	CAP CHIP 4.7UF 10V X7R +/- 10%	9JR6500000092
C380	065T040210412K	Y	CAP CHIP 0402 100N 16V X7R +/-10%	9JR6500000014
C381	065T040210412K	Y	CAP CHIP 0402 100N 16V X7R +/-10%	9JR6500000014
C382	065T040210412K	Y	CAP CHIP 0402 100N 16V X7R +/-10%	9JR6500000014
C383	065T040210412K	Y	CAP CHIP 0402 100N 16V X7R +/-10%	9JR6500000014
C384	065T040210412K	Y	CAP CHIP 0402 100N 16V X7R +/-10%	9JR6500000014
C385	065T0805475A2K	3	CAP CHIP 4.7UF 10V X7R +/- 10%	9JR6500000092
C386	065T040210412K	Y	CAP CHIP 0402 100N 16V X7R +/-10%	9JR6500000014
C390	065T060310412K	Y	CAP CHIP 0603 0.1UF K 16V X7R	9JR6500000036
C393	065T060310437Z	Y	CAP CHIP 0603 0.1UF Z 50V Y5V	9JR6500000038
C395	065T060310437Z	Y	CAP CHIP 0603 0.1UF Z 50V Y5V	9JR6500000038
C396	065T060310437Z	Y	CAP CHIP 0603 0.1UF Z 50V Y5V	9JR6500000038
C397	065T060310437Z	Y	CAP CHIP 0603 0.1UF Z 50V Y5V	9JR6500000038
C398	065T060310437Z	Y	CAP CHIP 0603 0.1UF Z 50V Y5V	9JR6500000038
C400	065T040227031J	3	CAP CHIP 0402 27P 50V NPO +/-5%	9JR6500000119
C401	065T040227031J	3	CAP CHIP 0402 27P 50V NPO +/-5%	9JR6500000119
C402	065T0805106A7Z	Y	CAP CHIP 0805 10UF Z 10V Y5V	9JR6500000077
C403	065T060310412K	Y	CAP CHIP 0603 0.1UF K 16V X7R	9JR6500000036
C404	065T0805106A7Z	Y	CAP CHIP 0805 10UF Z 10V Y5V	9JR6500000077
C405	065T0805106A7Z	Y	CAP CHIP 0805 10UF Z 10V Y5V	9JR6500000077
C406	065T0805106A7Z	Y	CAP CHIP 0805 10UF Z 10V Y5V	9JR6500000077
C407	065T0805106A7Z	Y	CAP CHIP 0805 10UF Z 10V Y5V	9JR6500000077
C408	065T060310412K	Y	CAP CHIP 0603 0.1UF K 16V X7R	9JR6500000036
C409	065T060310412K	Y	CAP CHIP 0603 0.1UF K 16V X7R	9JR6500000036
C410	065T060310412K	Y	CAP CHIP 0603 0.1UF K 16V X7R	9JR6500000036
C411	065T060310412K	Y	CAP CHIP 0603 0.1UF K 16V X7R	9JR6500000036
C412	065T060310412K	Y	CAP CHIP 0603 0.1UF K 16V X7R	9JR6500000036
C413	065T060310412K	Y	CAP CHIP 0603 0.1UF K 16V X7R	9JR6500000036

LC-26SB25E/S/RU, LC-32SB25E/S/RU, LC-42SB55E/S/RU

C414	065T0805106A7Z Y	CAP CHIP 0805 10UF Z 10V Y5V	9JR650000077
C415	065T0805106A7Z Y	CAP CHIP 0805 10UF Z 10V Y5V	9JR650000077
C416	065T060310412K Y	CAP CHIP 0603 0.1UF K 16V X7R	9JR650000036
C417	065T060310412K Y	CAP CHIP 0603 0.1UF K 16V X7R	9JR650000036
C418	065T0805106A7Z Y	CAP CHIP 0805 10UF Z 10V Y5V	9JR650000077
C419	065T060310512K 3	MLCC 0603 CAP 1uF K 16V X7R	9JR650000043
C420	065T060310412K Y	CAP CHIP 0603 0.1UF K 16V X7R	9JR650000036
C421	065T0805106A7Z Y	CAP CHIP 0805 10UF Z 10V Y5V	9JR650000077
C422	065T060310512K 3	MLCC 0603 CAP 1uF K 16V X7R	9JR650000043
C423	065T060310412K Y	CAP CHIP 0603 0.1UF K 16V X7R	9JR650000036
C424	065T060310031J Y	MLCC 0603 10PF J 50V NPO	9JR650000025
C425	065T060310412K Y	CAP CHIP 0603 0.1UF K 16V X7R	9JR650000036
C427	065T0805106A7Z Y	CAP CHIP 0805 10UF Z 10V Y5V	9JR650000077
C428	065T0805106A7Z Y	CAP CHIP 0805 10UF Z 10V Y5V	9JR650000077
C429	065T0805106A7Z Y	CAP CHIP 0805 10UF Z 10V Y5V	9JR650000077
C430	065T0805106A7Z Y	CAP CHIP 0805 10UF Z 10V Y5V	9JR650000077
C431	065T060310031J Y	MLCC 0603 10PF J 50V NPO	9JR650000025
C432	065T060310412K Y	CAP CHIP 0603 0.1UF K 16V X7R	9JR650000036
C433	065T060310412K Y	CAP CHIP 0603 0.1UF K 16V X7R	9JR650000036
C434	065T060310031J Y	MLCC 0603 10PF J 50V NPO	9JR650000025
C435	065T060310031J Y	MLCC 0603 10PF J 50V NPO	9JR650000025
C436	065T060310031J Y	MLCC 0603 10PF J 50V NPO	9JR650000025
C437	065T060310031J Y	MLCC 0603 10PF J 50V NPO	9JR650000025
C438	065T060310031J Y	MLCC 0603 10PF J 50V NPO	9JR650000025
C439	065T060310031J Y	MLCC 0603 10PF J 50V NPO	9JR650000025
C500	067T 3114703ET	EC SMD 47uF 16V VEJ 6.3x5.3mm	9JR670000073
C501	067T 3114713ET	EC 470uF 16V RVJ 8x10mm	9JR670000076
C502	065T060310412K Y	CAP CHIP 0603 0.1UF K 16V X7R	9JR650000036
C503	065T040210312K Y	CAP CHIP 0402 10N 16V X7R +/-10%	9JR650000011
C504	065T040247312K 3	CHIP CAP 47N 16V X7R 10%	9JR650000125
C505	065T040210312K Y	CAP CHIP 0402 10N 16V X7R +/-10%	9JR650000011
C506	065T040215031J 3	CAP CHIP 0402 15P 50V NPO +/-5%	9JR650000015
C507	065T040210312K Y	CAP CHIP 0402 10N 16V X7R +/-10%	9JR650000011
C508	065T040215031J 3	CAP CHIP 0402 15P 50V NPO +/-5%	9JR650000015
C509	065T040210312K Y	CAP CHIP 0402 10N 16V X7R +/-10%	9JR650000011
C510	065T040215031J 3	CAP CHIP 0402 15P 50V NPO +/-5%	9JR650000015
C511	065T040210312K Y	CAP CHIP 0402 10N 16V X7R +/-10%	9JR650000011
C512	065T0805106A7Z Y	CAP CHIP 0805 10UF Z 10V Y5V	9JR650000077
C513	065T0805106A7Z Y	CAP CHIP 0805 10UF Z 10V Y5V	9JR650000077
C514	065T040247312K 3	CHIP CAP 47N 16V X7R 10%	9JR650000125
C515	065T0805106A7Z Y	CAP CHIP 0805 10UF Z 10V Y5V	9JR650000077
C516	065T0805106A7Z Y	CAP CHIP 0805 10UF Z 10V Y5V	9JR650000077
C517	065T040215031J 3	CAP CHIP 0402 15P 50V NPO +/-5%	9JR650000015
C518	065T060347031J Y	CAP CHIP 0603 47PF J 50V NPO	9JR650000055
C519	065T040210505K 3	CAP CHIP 0402 1UF 6V3 X5R +/-10%	9JR650000117
C520	065T040247312K 3	CHIP CAP 47N 16V X7R 10%	9JR650000125
C521	065T060347031J Y	CAP CHIP 0603 47PF J 50V NPO	9JR650000055
C522	065T040210505K 3	CAP CHIP 0402 1UF 6V3 X5R +/-10%	9JR650000117
C523	065T040247312K 3	CHIP CAP 47N 16V X7R 10%	9JR650000125
C541	065T060322031J Y	CAP CHIP 0603 22PF J 50V NPO	9JR650000134
C542	065T060310131J Y	CAP CHIP 0603 100PF J 50V NPO	9JR650000130
C546	065T080510617Z 3	CAP CHIP 0805 10U 16V Y5V -20~+80%	9JR650000146
C547	065T080510617Z 3	CAP CHIP 0805 10U 16V Y5V -20~+80%	9JR650000146
C550	065T040210412K Y	CAP CHIP 0402 100N 16V X7R +/-10%	9JR650000014
C551	065T080510512K Y	CAP CHIP 0805 1UF K 16V X7R	9JR650000075
C552	065T0805475A2K 3	CAP CHIP 4.7UF 10V X7R +/- 10%	9JR650000092
C553	065T040210412K Y	CAP CHIP 0402 100N 16V X7R +/-10%	9JR650000014
C554	065T080510512K Y	CAP CHIP 0805 1UF K 16V X7R	9JR650000075
C555	065T0805475A2K 3	CAP CHIP 4.7UF 10V X7R +/- 10%	9JR650000092
C556	065T080510512K Y	CAP CHIP 0805 1UF K 16V X7R	9JR650000075
C557	065T0805475A2K 3	CAP CHIP 4.7UF 10V X7R +/- 10%	9JR650000092
C558	065T040210412K Y	CAP CHIP 0402 100N 16V X7R +/-10%	9JR650000014
C559	065T040210232K Y	CAP CHIP 0402 1N 50V X7R +/-10%	9JR650000009
C560	065T040210312K Y	CAP CHIP 0402 10N 16V X7R +/-10%	9JR650000011
C561	065T040210312K Y	CAP CHIP 0402 10N 16V X7R +/-10%	9JR650000011
C562	065T060310412K Y	CAP CHIP 0603 0.1UF K 16V X7R	9JR650000036
C563	065T040250931D 3	CAP CHIP 0402 5PF 50V NPO +/-0.5pF	9JR650000127

C564	065T040215031J 3	CAP CHIP 0402 15P 50V NPO +/-5%	9JR650000015
C565	065T040210312K Y	CAP CHIP 0402 10N 16V X7R +/-10%	9JR650000011
C567	065T040250931D 3	CAP CHIP 0402 5PF 50V NPO +/-0.5pF	9JR650000127
C568	065T040210312K Y	CAP CHIP 0402 10N 16V X7R +/-10%	9JR650000011
C569	065T040215031J 3	CAP CHIP 0402 15P 50V NPO +/-5%	9JR650000015
C570	065T060310412K Y	CAP CHIP 0603 0.1UF K 16V X7R	9JR650000036
C571	065T060322517Z Y	CAP CHIP 0603 2.2UF Z 16V Y5V	9JR650000138
C572	065T040210312K Y	CAP CHIP 0402 10N 16V X7R +/-10%	9JR650000011
C573	065T060310131J Y	CAP CHIP 0603 100PF J 50V NPO	9JR650000130
C574	065T040215031J 3	CAP CHIP 0402 15P 50V NPO +/-5%	9JR650000015
C575	065T060322517Z Y	CAP CHIP 0603 2.2UF Z 16V Y5V	9JR650000138
C576	065T040210312K Y	CAP CHIP 0402 10N 16V X7R +/-10%	9JR650000011
C577	065T0805106A7Z Y	CAP CHIP 0805 10UF Z 10V Y5V	9JR650000077
C580	065T080510617Z 3	CAP CHIP 0805 10U 16V Y5V -20~+80%	9JR650000146
C581	065T0805106A7Z Y	CAP CHIP 0805 10UF Z 10V Y5V	9JR650000077
C582	065T080510617Z 3	CAP CHIP 0805 10U 16V Y5V -20~+80%	9JR650000146
C585	065T060310131J Y	CAP CHIP 0603 100PF J 50V NPO	9JR650000130
C587	065T040210312K Y	CAP CHIP 0402 10N 16V X7R +/-10%	9JR650000011
C588	065T040215031J 3	CAP CHIP 0402 15P 50V NPO +/-5%	9JR650000015
C589	065T040215031J 3	CAP CHIP 0402 15P 50V NPO +/-5%	9JR650000015
C590	065T040210312K Y	CAP CHIP 0402 10N 16V X7R +/-10%	9JR650000011
C591	065T0805106A7Z Y	CAP CHIP 0805 10UF Z 10V Y5V	9JR650000077
C592	065T040210312K Y	CAP CHIP 0402 10N 16V X7R +/-10%	9JR650000011
C593	065T040210312K Y	CAP CHIP 0402 10N 16V X7R +/-10%	9JR650000011
C596	065T040210312K Y	CAP CHIP 0402 10N 16V X7R +/-10%	9JR650000011
C597	065T040210312K Y	CAP CHIP 0402 10N 16V X7R +/-10%	9JR650000011
C598	065T040215031J 3	CAP CHIP 0402 15P 50V NPO +/-5%	9JR650000015
C599	065T0805106A7Z Y	CAP CHIP 0805 10UF Z 10V Y5V	9JR650000077
C600	065T040210412K Y	CAP CHIP 0402 100N 16V X7R +/-10%	9JR650000014
C601	065T0805475A2K 3	CAP CHIP 4.7UF 10V X7R +/- 10%	9JR650000092
C602	065T040210412K Y	CAP CHIP 0402 100N 16V X7R +/-10%	9JR650000014
C603	065T060310512K 3	MLCC 0603 CAP 1uF K 16V X7R	9JR650000043
C604	065T0805475A2K 3	CAP CHIP 4.7UF 10V X7R +/- 10%	9JR650000092
C605	065T040210412K Y	CAP CHIP 0402 100N 16V X7R +/-10%	9JR650000014
C606	065T060310512K 3	MLCC 0603 CAP 1uF K 16V X7R	9JR650000043
C607	065T0805475A2K 3	CAP CHIP 4.7UF 10V X7R +/- 10%	9JR650000092
C608	065T040210412K Y	CAP CHIP 0402 100N 16V X7R +/-10%	9JR650000014
C609	065T060310512K 3	MLCC 0603 CAP 1uF K 16V X7R	9JR650000043
C610	065T0805475A2K 3	CAP CHIP 4.7UF 10V X7R +/- 10%	9JR650000092
C611	065T060310512K 3	MLCC 0603 CAP 1uF K 16V X7R	9JR650000043
C612	065T0805475A2K 3	CAP CHIP 4.7UF 10V X7R +/- 10%	9JR650000092
C613	065T040210412K Y	CAP CHIP 0402 100N 16V X7R +/-10%	9JR650000014
C614	067T511F1013CT	EC SMD 100U 16V MV 6.3x7.7mm	9JR670000094
C615	065T060310512K 3	MLCC 0603 CAP 1uF K 16V X7R	9JR650000043
C616	065T0805475A2K 3	CAP CHIP 4.7UF 10V X7R +/- 10%	9JR650000092
C617	065T040210412K Y	CAP CHIP 0402 100N 16V X7R +/-10%	9JR650000014
C618	065T060310412K Y	CAP CHIP 0603 0.1UF K 16V X7R	9JR650000036
C619	067T511F1004CT	EC SMD 10U 25V MV 4x5.5mm	9JR670000093
C620	065T040210412K Y	CAP CHIP 0402 100N 16V X7R +/-10%	9JR650000014
C621	065T080547412K 3	CAP CHIP 0805 470N 16V X7R +/-10%	9JR650000088
C623	067T305L471 7C	EC 470uF 50V KM 10x25mm	9JR670000091
C625	065T120647432K 3	CAP CHIP 470N 50V X7R +/- 10%	9JR650000160
C626	065T0603474A7Z Y	CAP CHIP 0603 470N 10V Y5V -20%+80%	9JR650000140
C627	065T040233132K 3	CAP CHIP 0402 330P 50V X7R +/-10%	9JR650000121
C628	065T060310437Z Y	CAP CHIP 0603 0.1UF Z 50V Y5V	9JR650000038
C629	065T060310437Z Y	CAP CHIP 0603 0.1UF Z 50V Y5V	9JR650000038
C630	067T215A471 4C	EC 470uF 25V GF 10x16mm	9JR670000084
C631	065T0603474A7Z Y	CAP CHIP 0603 470N 10V Y5V -20%+80%	9JR650000140
C632	065T060347131J Y	CAP CHIP 0603 470PF J 50V NPO	9JR650000057
C633	065T060315332K Y	CAP CHIP 0603 15NF K 50V X7R	9JR650000132
C634	065T060310437Z Y	CAP CHIP 0603 0.1UF Z 50V Y5V	9JR650000038
C635	065T120647432K 3	CAP CHIP 470N 50V X7R +/- 10%	9JR650000160
C636	065T060310437Z Y	CAP CHIP 0603 0.1UF Z 50V Y5V	9JR650000038
C637	065T060310437Z Y	CAP CHIP 0603 0.1UF Z 50V Y5V	9JR650000038
C638	065T060315332K Y	CAP CHIP 0603 15NF K 50V X7R	9JR650000132
C639	065T060310437Z Y	CAP CHIP 0603 0.1UF Z 50V Y5V	9JR650000038
C640	065T120647432K 3	CAP CHIP 470N 50V X7R +/- 10%	9JR650000160

LC-26SB25E/S/RU, LC-32SB25E/S/RU, LC-42SB55E/S/RU

C641	065T060310437Z Y	CAP CHIP 0603 0.1UF Z 50V Y5V	9JR6500000038
C642	067T215L4704CT	EC 47UF 25V KH 5x11 life 3000HR	9JR6700000089
C643	065T060347131J Y	CAP CHIP 0603 470PF J 50V NPO	9JR6500000057
C644	065T060310437Z Y	CAP CHIP 0603 0.1UF Z 50V Y5V	9JR6500000038
C645	065T0603474A7Z Y	CAP CHIP 0603 470N 10V Y5V -20%+80%	9JR6500000140
C646	065T040233132K 3	CAP CHIP 0402 330P 50V X7R +/-10%	9JR6500000121
C647	065T060310437Z Y	CAP CHIP 0603 0.1UF Z 50V Y5V	9JR6500000038
C648	065T060310437Z Y	CAP CHIP 0603 0.1UF Z 50V Y5V	9JR6500000038
C649	065T060310437Z Y	CAP CHIP 0603 0.1UF Z 50V Y5V	9JR6500000038
C650	065T0805106A7Z Y	CAP CHIP 0805 10UF Z 10V Y5V	9JR6500000077
C651	065T080510617Z 3	CAP CHIP 0805 10U 16V Y5V -20~+80%	9JR6500000146
C652	065T0805106A7Z Y	CAP CHIP 0805 10UF Z 10V Y5V	9JR6500000077
C653	065T0805475A2K 3	CAP CHIP 4.7UF 10V X7R +/- 10%	9JR6500000092
C654	065T040210412K Y	CAP CHIP 0402 100N 16V X7R +/-10%	9JR6500000014
C655	065T080510617Z 3	CAP CHIP 0805 10U 16V Y5V -20~+80%	9JR6500000146
C656	065T080510617Z 3	CAP CHIP 0805 10U 16V Y5V -20~+80%	9JR6500000146
C657	065T040210412K Y	CAP CHIP 0402 100N 16V X7R +/-10%	9JR6500000014
C658	065T060310512K 3	MLCC 0603 CAP 1uF K 16V X7R	9JR6500000043
C659	065T0805475A2K 3	CAP CHIP 4.7UF 10V X7R +/- 10%	9JR6500000092
C660	065T040210412K Y	CAP CHIP 0402 100N 16V X7R +/-10%	9JR6500000014
C661	065T060310512K 3	MLCC 0603 CAP 1uF K 16V X7R	9JR6500000043
C662	065T0805475A2K 3	CAP CHIP 4.7UF 10V X7R +/- 10%	9JR6500000092
C663	065T040210412K Y	CAP CHIP 0402 100N 16V X7R +/-10%	9JR6500000014
C664	065T040247312K 3	CHIP CAP 47N 16V X7R 10%	9JR6500000125
C665	065T060347031J Y	CAP CHIP 0603 47PF J 50V NPO	9JR6500000055
C666	065T040210412K Y	CAP CHIP 0402 100N 16V X7R +/-10%	9JR6500000014
C667	065T060310512K 3	MLCC 0603 CAP 1uF K 16V X7R	9JR6500000043
C668	065T0805475A2K 3	CAP CHIP 4.7UF 10V X7R +/- 10%	9JR6500000092
C669	065T040210412K Y	CAP CHIP 0402 100N 16V X7R +/-10%	9JR6500000014
C670	065T060310512K 3	MLCC 0603 CAP 1uF K 16V X7R	9JR6500000043
C671	065T0805475A2K 3	CAP CHIP 4.7UF 10V X7R +/- 10%	9JR6500000092
C672	065T0805106A7Z Y	CAP CHIP 0805 10UF Z 10V Y5V	9JR6500000077
C674	065T0805106A7Z Y	CAP CHIP 0805 10UF Z 10V Y5V	9JR6500000077
C676	065T040247312K 3	CHIP CAP 47N 16V X7R 10%	9JR6500000125
C677	065T060347031J Y	CAP CHIP 0603 47PF J 50V NPO	9JR6500000055
C678	065T040210412K Y	CAP CHIP 0402 100N 16V X7R +/-10%	9JR6500000014
C679	065T060310412K Y	CAP CHIP 0603 0.1UF K 16V X7R	9JR6500000036
C680	065T040247312K 3	CHIP CAP 47N 16V X7R 10%	9JR6500000125
C681	065T060333031J Y	CAP CHIP 0603 33PF J 50V NPO	9JR6500000049
C682	065T060347031J Y	CAP CHIP 0603 47PF J 50V NPO	9JR6500000055
C683	065T040210412K Y	CAP CHIP 0402 100N 16V X7R +/-10%	9JR6500000014
C684	067T215A471 4C	EC 470uF 25V GF 10x16mm	9JR6700000084
C685	065T0603474A7Z Y	CAP CHIP 0603 470N 10V Y5V -20%+80%	9JR6500000140
C686	065T040210412K Y	CAP CHIP 0402 100N 16V X7R +/-10%	9JR6500000014
C687	065T040210412K Y	CAP CHIP 0402 100N 16V X7R +/-10%	9JR6500000014
C688	067T 3111097ET	EC SMD 1uF 50V VEJ 4x5.5mm	9JR6700000070
C689	065T0805475A7Z Y	CAP CHIP 4.7UF 10V Y5V -20%~+80%	9JR6500000097
C690	065T060368232K Y	CAP CHIP 0603 6800PF K 50V X7R	9JR6500000142
C691	065T060368232K Y	CAP CHIP 0603 6800PF K 50V X7R	9JR6500000142
C692	065T060310131J Y	CAP CHIP 0603 100PF J 50V NPO	9JR6500000130
C693	067T 3111003ET	EC SMD 10uF 16V VEJ 4x5.3mm	9JR6700000067
C697	065T060310131J Y	CAP CHIP 0603 100PF J 50V NPO	9JR6500000130
C701	065T0805475A2K 3	CAP CHIP 4.7UF 10V X7R +/- 10%	9JR6500000092
C702	065T060310512K 3	MLCC 0603 CAP 1uF K 16V X7R	9JR6500000043
C703	065T0805475A2K 3	CAP CHIP 4.7UF 10V X7R +/- 10%	9JR6500000092
C704	065T060310512K 3	MLCC 0603 CAP 1uF K 16V X7R	9JR6500000043
C705	067T 3111097ET	EC SMD 1uF 50V VEJ 4x5.5mm	9JR6700000070
C706	065T040210412K Y	CAP CHIP 0402 100N 16V X7R +/-10%	9JR6500000014
C708	065T040210412K Y	CAP CHIP 0402 100N 16V X7R +/-10%	9JR6500000014
C709	065T040210312K Y	CAP CHIP 0402 10N 16V X7R +/-10%	9JR6500000011
C710	065T060310332K Y	CAP CHIP 0603 10NF K 50V X7R	9JR6500000031
C712	065T060310332K Y	CAP CHIP 0603 10NF K 50V X7R	9JR6500000031
C714	065T040210412K Y	CAP CHIP 0402 100N 16V X7R +/-10%	9JR6500000014
C715	065T040210412K Y	CAP CHIP 0402 100N 16V X7R +/-10%	9JR6500000014
C716	065T040210412K Y	CAP CHIP 0402 100N 16V X7R +/-10%	9JR6500000014
C717	065T040210412K Y	CAP CHIP 0402 100N 16V X7R +/-10%	9JR6500000014
C718	065T040210412K Y	CAP CHIP 0402 100N 16V X7R +/-10%	9JR6500000014

C719	065T040210312K Y	CAP CHIP 0402 10N 16V X7R +/-10%	9JR650000011
C721	065T040210412K Y	CAP CHIP 0402 100N 16V X7R +/-10%	9JR650000014
C722	065T040210412K Y	CAP CHIP 0402 100N 16V X7R +/-10%	9JR650000014
C750	065T040210412K Y	CAP CHIP 0402 100N 16V X7R +/-10%	9JR650000014
C751	065T060310412K Y	CAP CHIP 0603 0.1UF K 16V X7R	9JR650000036
C752	067T 3114704ET	EC SMD 47U 25V VGA 6.3x5.7mm	9JR670000074
C753	065T060310512K 3	MLCC 0603 CAP 1uF K 16V X7R	9JR650000043
C754	065T0805475A2K 3	CAP CHIP 4.7UF 10V X7R +/- 10%	9JR650000092
C755	065T040210412K Y	CAP CHIP 0402 100N 16V X7R +/-10%	9JR650000014
C756	067T511F1013CT	EC SMD 100U 16V MV 6.3x7.7mm	9JR670000094
C757	065T060310512K 3	MLCC 0603 CAP 1uF K 16V X7R	9JR650000043
C758	065T040210412K Y	CAP CHIP 0402 100N 16V X7R +/-10%	9JR650000014
CN100	033T380212B Y FP	WAFER 2.0mm 12P 67032	9JR330000029
CN390	033T3802 4 X	CONNECTOR	9JR330000020
CN391	033T3802 5	AUDIO IN	9JR330000022
CN392	033T3802 3E FP	WAFER 2.0MM 3P 63043	9JR330000006
CN400	088T 500902 P	PCMCIA CONN. CPC-BTRCVDB0-S02-H	9JR880000027
CN500	088T 35521U ST	SCART CONN. 21P V/T 2SC1504-000111	9JR880000026
CN501	088T 35521U ST	SCART CONN. 21P V/T 2SC1504-000111	9JR880000026
CN552	088T 78 13A36 YG	RCA JACK 1*3 G/BL/R V/A RCA-346D-02	9JR880000019
CN553	088T 78 13A35 YG	RCA JACK 1*3 W/R/B V/A RCA-346D-01	9JR880000018
CN554	088T 35315F FX	D-SUB 15PIN FEMALE VERTICAL 附螺絲	9JR880000025
CN555	088T 30252S	PHONE JACK 3.5mm 3P V/A GREEN	9JR880000022
CN556	088T 78 13A37 YG	RCA JACK 1*2 W/R V/A RCA-276D-01	9JR880000020
CN600	033T3802 2B Y FP	WAFER 2.0mm 2P 67022	9JR330000025
CN601	033T3802 3B Y FP	WAFER 2.0mm 3P 67023	9JR330000026
CN602	088T 302912 S	PHONE JACK 3.5mm 7P BLACK 2SJ1508-001111	9JR880000023
CN650	088T 78 13A39 YG	S JACK + RCA JACK 1*3 Y/W/R RCA-333S-010	9JR880000021
CN700	088T 340 19TNS	HDMI HEADER 19P 5300-519-441-72	9JR880000014
CN702	088T 340 19TNS	HDMI HEADER 19P 5300-519-441-72	9JR880000014
CN750	033T8033 40 FP	CON. V 2*20P M 1.25 SM 60949	9JR330000014
D100	093T 60S906 T	DIODE 3A/40V SS3P4 DO-220AA	9JR930000054
D101	093T 60S906 T	DIODE 3A/40V SS3P4 DO-220AA	9JR930000054
D390	093T 64S522SEM	DIODE LL4148 SEMTECH	9JR930000055
D391	093T 64 33	BAV99 SOT-23	9JR930000044
D392	093T 64 33	BAV99 SOT-23	9JR930000044
D500	093T 64S900 T	DIODE BAS316 SOT-323 PHILIPS	9JR930000030
D501	093T 64S900 T	DIODE BAS316 SOT-323 PHILIPS	9JR930000030
D502	093T 64S900 T	DIODE BAS316 SOT-323 PHILIPS	9JR930000030
D503	093T 64S900 T	DIODE BAS316 SOT-323 PHILIPS	9JR930000030
D504	093T 64S900 T	DIODE BAS316 SOT-323 PHILIPS	9JR930000030
D505	093T 64S900 T	DIODE BAS316 SOT-323 PHILIPS	9JR930000030
D506	093T 64S900 T	DIODE BAS316 SOT-323 PHILIPS	9JR930000030
D507	093T 64S900 T	DIODE BAS316 SOT-323 PHILIPS	9JR930000030
D508	093T 64S900 T	DIODE BAS316 SOT-323 PHILIPS	9JR930000030
D509	093T 64S900 T	DIODE BAS316 SOT-323 PHILIPS	9JR930000030
D510	093T 64S900 T	DIODE BAS316 SOT-323 PHILIPS	9JR930000030
D511	093T 64S900 T	DIODE BAS316 SOT-323 PHILIPS	9JR930000030
D512	093T 64S900 T	DIODE BAS316 SOT-323 PHILIPS	9JR930000030
D553	093T 64S900 T	DIODE BAS316 SOT-323 PHILIPS	9JR930000030
D554	093T 64S900 T	DIODE BAS316 SOT-323 PHILIPS	9JR930000030
D555	093T 64S900 T	DIODE BAS316 SOT-323 PHILIPS	9JR930000030
D556	093T 64S900 T	DIODE BAS316 SOT-323 PHILIPS	9JR930000030
D557	093T 64S900 T	DIODE BAS316 SOT-323 PHILIPS	9JR930000030
D560	093T 64S900 T	DIODE BAS316 SOT-323 PHILIPS	9JR930000030
D561	093T 64S900 T	DIODE BAS316 SOT-323 PHILIPS	9JR930000030
D562	093T 64S900 T	DIODE BAS316 SOT-323 PHILIPS	9JR930000030
D563	093T 64S900 T	DIODE BAS316 SOT-323 PHILIPS	9JR930000030
D564	093T 64S522SEM	DIODE LL4148 SEMTECH	9JR930000055
D565	093T 64S522SEM	DIODE LL4148 SEMTECH	9JR930000055
D566	093T 64S900 T	DIODE BAS316 SOT-323 PHILIPS	9JR930000030
D567	093T 64S900 T	DIODE BAS316 SOT-323 PHILIPS	9JR930000030
D568	093T 64S900 T	DIODE BAS316 SOT-323 PHILIPS	9JR930000030
D569	093T 64S900 T	DIODE BAS316 SOT-323 PHILIPS	9JR930000030
D570	093T 64S900 T	DIODE BAS316 SOT-323 PHILIPS	9JR930000030
D571	093T 64S900 T	DIODE BAS316 SOT-323 PHILIPS	9JR930000030
D600	093T 64S522SEM	DIODE LL4148 SEMTECH	9JR930000055

LC-26SB25E/S/RU, LC-32SB25E/S/RU, LC-42SB55E/S/RU

D601	093T 64S900 T	DIODE BAS316 SOT-323 PHILIPS	9JR930000030
D602	093T 64S900 T	DIODE BAS316 SOT-323 PHILIPS	9JR930000030
D603	093T 64S522SEM	DIODE LL4148 SEMTECH	9JR930000055
D604	093T 64S522SEM	DIODE LL4148 SEMTECH	9JR930000055
D605	093T 64S522SEM	DIODE LL4148 SEMTECH	9JR930000055
D607	093T 64S522SEM	DIODE LL4148 SEMTECH	9JR930000055
D650	093T 64S900 T	DIODE BAS316 SOT-323 PHILIPS	9JR930000030
D651	093T 64S900 T	DIODE BAS316 SOT-323 PHILIPS	9JR930000030
D652	093T 64S900 T	DIODE BAS316 SOT-323 PHILIPS	9JR930000030
D653	093T 64S900 T	DIODE BAS316 SOT-323 PHILIPS	9JR930000030
D654	093T 64S900 T	DIODE BAS316 SOT-323 PHILIPS	9JR930000030
D655	093T 64S900 T	DIODE BAS316 SOT-323 PHILIPS	9JR930000030
D656	093T 64S900 T	DIODE BAS316 SOT-323 PHILIPS	9JR930000030
D657	093T 64S900 T	DIODE BAS316 SOT-323 PHILIPS	9JR930000030
D658	093T 64S900 T	DIODE BAS316 SOT-323 PHILIPS	9JR930000030
D659	093T 64S900 T	DIODE BAS316 SOT-323 PHILIPS	9JR930000030
D660	093T 64S900 T	DIODE BAS316 SOT-323 PHILIPS	9JR930000030
D661	093T 64S900 T	DIODE BAS316 SOT-323 PHILIPS	9JR930000030
D701	093T 64S522SEM	DIODE LL4148 SEMTECH	9JR930000055
D702	093T 64S522SEM	DIODE LL4148 SEMTECH	9JR930000055
D703	093T 64S522SEM	DIODE LL4148 SEMTECH	9JR930000055
D704	093T 64S900 T	DIODE BAS316 SOT-323 PHILIPS	9JR930000030
D707	093T 64S900 T	DIODE BAS316 SOT-323 PHILIPS	9JR930000030
D708	093T 64S522SEM	DIODE LL4148 SEMTECH	9JR930000055
D709	093T 64S522SEM	DIODE LL4148 SEMTECH	9JR930000055
FB100	071T 56A221 TA	CHIP BEAD 0805 220R/2000mA	9JR710000009
FB101	071T 56A221 TA	CHIP BEAD 0805 220R/2000mA	9JR710000009
FB200	071T 59D121 TA	CHIP BEAD 120R/600mA FCM1608KF-121T06	9JR710000012
FB201	071T 56A221 TA	CHIP BEAD 0805 220R/2000mA	9JR710000009
FB202	071T 59D121 TA	CHIP BEAD 120R/600mA FCM1608KF-121T06	9JR710000012
FB203	071T 59D121 TA	CHIP BEAD 120R/600mA FCM1608KF-121T06	9JR710000012
FB204	071T 59D121 TA	CHIP BEAD 120R/600mA FCM1608KF-121T06	9JR710000012
FB230	071T 59C601 TA	CHIP BEAD 600R/200mA FCM1608K-601T02	9JR710000011
FB231	071T 59C601 TA	CHIP BEAD 600R/200mA FCM1608K-601T02	9JR710000011
FB232	071T 59C601 TA	CHIP BEAD 600R/200mA FCM1608K-601T02	9JR710000011
FB233	071T 59C601 TA	CHIP BEAD 600R/200mA FCM1608K-601T02	9JR710000011
FB234	071T 59C601 TA	CHIP BEAD 600R/200mA FCM1608K-601T02	9JR710000011
FB300	071T 59D121 TA	CHIP BEAD 120R/600mA FCM1608KF-121T06	9JR710000012
FB301	071T 59D121 TA	CHIP BEAD 120R/600mA FCM1608KF-121T06	9JR710000012
FB302	071T 59D121 TA	CHIP BEAD 120R/600mA FCM1608KF-121T06	9JR710000012
FB321	071T 59D121 TA	CHIP BEAD 120R/600mA FCM1608KF-121T06	9JR710000012
FB322	071T 59D121 TA	CHIP BEAD 120R/600mA FCM1608KF-121T06	9JR710000012
FB323	071T 59D121 TA	CHIP BEAD 120R/600mA FCM1608KF-121T06	9JR710000012
FB390	071T 59C601 TA	CHIP BEAD 600R/200mA FCM1608K-601T02	9JR710000011
FB400	071T 59D121 TA	CHIP BEAD 120R/600mA FCM1608KF-121T06	9JR710000012
FB401	071T 59D121 TA	CHIP BEAD 120R/600mA FCM1608KF-121T06	9JR710000012
FB402	071T 56B221 TA	CHIP BEAD 220R/400mA FCM2012CF-221T04	9JR710000018
FB403	071T 56A221 TA	CHIP BEAD 0805 220R/2000mA	9JR710000009
FB404	071T 56B221 TA	CHIP BEAD 220R/400mA FCM2012CF-221T04	9JR710000018
FB566	071T 59C601 TA	CHIP BEAD 600R/200mA FCM1608K-601T02	9JR710000011
FB567	071T 59C601 TA	CHIP BEAD 600R/200mA FCM1608K-601T02	9JR710000011
FB600	071T 59D121 TA	CHIP BEAD 120R/600mA FCM1608KF-121T06	9JR710000012
FB601	071T 59D121 TA	CHIP BEAD 120R/600mA FCM1608KF-121T06	9JR710000012
FB602	071T 59D121 TA	CHIP BEAD 120R/600mA FCM1608KF-121T06	9JR710000012
FB603	071T 59D121 TA	CHIP BEAD 120R/600mA FCM1608KF-121T06	9JR710000012
FB604	071T 59D121 TA	CHIP BEAD 120R/600mA FCM1608KF-121T06	9JR710000012
FB606	071T 59D121 TA	CHIP BEAD 120R/600mA FCM1608KF-121T06	9JR710000012
FB607	071T 59D121 TA	CHIP BEAD 120R/600mA FCM1608KF-121T06	9JR710000012
FB701	071T 59C601 TA	CHIP BEAD 600R/200mA FCM1608K-601T02	9JR710000011
FB702	071T 59C601 TA	CHIP BEAD 600R/200mA FCM1608K-601T02	9JR710000011
FB750	071T 59D121 TA	CHIP BEAD 120R/600mA FCM1608KF-121T06	9JR710000012
FB751	071T 56A221 TA	CHIP BEAD 0805 220R/2000mA	9JR710000009
FB752	071T 56A221 TA	CHIP BEAD 0805 220R/2000mA	9JR710000009
FB753	071T 56A221 TA	CHIP BEAD 0805 220R/2000mA	9JR710000009
FB754	071T 59D121 TA	CHIP BEAD 120R/600mA FCM1608KF-121T06	9JR710000012
L101	073T 253916 H	CHOKE COIL 15uH+/-10% 38mohm DR10*8	9JR730000033
L102	073T 253916 H	CHOKE COIL 15uH+/-10% 38mohm DR10*8	9JR730000033

L300	073T 63828 T	CHIP INDUCROR 0U82 10% MLF1608DR82K	9JR730000007
L500	073T 63108 TA	CHIP INDUCTOR 0U10 10% FCI1608F-R10K	9JR730000002
L501	073T 63108 TA	CHIP INDUCTOR 0U10 10% FCI1608F-R10K	9JR730000002
L502	073T 63108 TA	CHIP INDUCTOR 0U10 10% FCI1608F-R10K	9JR730000002
L503	073T 63108 TA	CHIP INDUCTOR 0U10 10% FCI1608F-R10K	9JR730000002
L504	073T 63108 TA	CHIP INDUCTOR 0U10 10% FCI1608F-R10K	9JR730000002
L505	073T 63108 TA	CHIP INDUCTOR 0U10 10% FCI1608F-R10K	9JR730000002
L550	073T 63108 TA	CHIP INDUCTOR 0U10 10% FCI1608F-R10K	9JR730000002
L551	073T 63108 TA	CHIP INDUCTOR 0U10 10% FCI1608F-R10K	9JR730000002
L552	073T 63108 TA	CHIP INDUCTOR 0U10 10% FCI1608F-R10K	9JR730000002
L554	073T 63108 TA	CHIP INDUCTOR 0U10 10% FCI1608F-R10K	9JR730000002
L556	073T 63108 TA	CHIP INDUCTOR 0U10 10% FCI1608F-R10K	9JR730000002
L558	073T 63108 TA	CHIP INDUCTOR 0U10 10% FCI1608F-R10K	9JR730000002
L561	073T 63108 TA	CHIP INDUCTOR 0U10 10% FCI1608F-R10K	9JR730000002
L562	073T 63108 TA	CHIP INDUCTOR 0U10 10% FCI1608F-R10K	9JR730000002
L563	073T 63108 TA	CHIP INDUCTOR 0U10 10% FCI1608F-R10K	9JR730000002
L564	073T 63108 TA	CHIP INDUCTOR 0U10 10% FCI1608F-R10K	9JR730000002
L565	073T 63108 TA	CHIP INDUCTOR 0U10 10% FCI1608F-R10K	9JR730000002
L650	073T 63108 TA	CHIP INDUCTOR 0U10 10% FCI1608F-R10K	9JR730000002
L652	073T 63108 TA	CHIP INDUCTOR 0U10 10% FCI1608F-R10K	9JR730000002
L653	073T 63108 TA	CHIP INDUCTOR 0U10 10% FCI1608F-R10K	9JR730000002
L654	073T 63108 TA	CHIP INDUCTOR 0U10 10% FCI1608F-R10K	9JR730000002
L655	073T 63108 TA	CHIP INDUCTOR 0U10 10% FCI1608F-R10K	9JR730000002
L656	073T 63108 TA	CHIP INDUCTOR 0U10 10% FCI1608F-R10K	9JR730000002
L657	073T 63108 TA	CHIP INDUCTOR 0U10 10% FCI1608F-R10K	9JR730000002
L700	073T 63108 TA	CHIP INDUCTOR 0U10 10% FCI1608F-R10K	9JR730000002
L701	073T 63108 TA	CHIP INDUCTOR 0U10 10% FCI1608F-R10K	9JR730000002
Q100	057T 477900 T	TRA BC847C 100mA/50V SOT-23	9JR570000010
Q101	057T 477900 T	TRA BC847C 100mA/50V SOT-23	9JR570000010
Q103	057T 763900	FET SI3441BDV TSOP-6	9JR570000020
Q104	057T 7631PH	SI5441DC 1206-8	9JR570000019
Q106	057T 477900 T	TRA BC847C 100mA/50V SOT-23	9JR570000010
Q108	057T 477900 T	TRA BC847C 100mA/50V SOT-23	9JR570000010
Q109	057T 477900 T	TRA BC847C 100mA/50V SOT-23	9JR570000010
Q150	057T 7631PH	SI5441DC 1206-8	9JR570000019
Q151	057T 477900 T	TRA BC847C 100mA/50V SOT-23	9JR570000010
Q200	057T 419911 T	TRA 2A/12V 2SD2653K SOT-346	9JR570000028
Q201	057T 419911 T	TRA 2A/12V 2SD2653K SOT-346	9JR570000028
Q202	057T 419911 T	TRA 2A/12V 2SD2653K SOT-346	9JR570000028
Q203	057T 417512	TRA MMBT3906 BLUE ROKET	9JR570000026
Q301	057T 417511	TRA MMBT3904 BLUE ROKET	9JR570000025
Q400	057T 763 50	FET ME2301 -2.8A/-20V SOT-23	9JR570000036
Q401	057T 417 12 T	TRA 2N3904S-RTK/PS SOT-23 KEC	9JR570000024
Q500	057T 419911 T	TRA 2A/12V 2SD2653K SOT-346	9JR570000028
Q550	057T 477900 T	TRA BC847C 100mA/50V SOT-23	9JR570000010
Q600	057T 477904 T	TRA BC847BW 100mA/45V SOT-323	9JR570000012
Q601	057T 477900 T	TRA BC847C 100mA/50V SOT-23	9JR570000010
Q606	057T 761902 T	TRA BC857BW 100mA/50V SOT-323	9JR570000018
Q607	057T 477900 T	TRA BC847C 100mA/50V SOT-23	9JR570000010
Q608	057T 419911 T	TRA 2A/12V 2SD2653K SOT-346	9JR570000028
Q609	057T 419911 T	TRA 2A/12V 2SD2653K SOT-346	9JR570000028
Q610	057T 419911 T	TRA 2A/12V 2SD2653K SOT-346	9JR570000028
Q611	057T 417512	TRA MMBT3906 BLUE ROKET	9JR570000026
Q612	057T 417512	TRA MMBT3906 BLUE ROKET	9JR570000026
Q613	057T 417512	TRA MMBT3906 BLUE ROKET	9JR570000026
Q614	057T 417512	TRA MMBT3906 BLUE ROKET	9JR570000026
Q615	057T 761902 T	TRA BC857BW 100mA/50V SOT-323	9JR570000018
Q616	057T 419911 T	TRA 2A/12V 2SD2653K SOT-346	9JR570000028
Q700	057T 477900 T	TRA BC847C 100mA/50V SOT-23	9JR570000010
Q702	057T 477900 T	TRA BC847C 100mA/50V SOT-23	9JR570000010
Q705	057T 477900 T	TRA BC847C 100mA/50V SOT-23	9JR570000010
Q706	057T 477900 T	TRA BC847C 100mA/50V SOT-23	9JR570000010
Q750	057T 417511	TRA MMBT3904 BLUE ROKET	9JR570000025
Q751	057T 417511	TRA MMBT3904 BLUE ROKET	9JR570000025
R100	061T0603223 Y	RST CHIPR 22KOHM +-5% 1/10W YAGEO	9JR610000095
R101	061T0603223 Y	RST CHIPR 22KOHM +-5% 1/10W YAGEO	9JR610000095
R102	061T0603512 Y	RST CHIPR 5.1KOHM +-5% 1/10W YAGEO	9JR610000119

LC-26SB25E/S/RU, LC-32SB25E/S/RU, LC-42SB55E/S/RU

R103	061T0603223 Y	RST CHIPR 22KOHM +-5% 1/10W YAGEO	9JR610000095
R104	061T0603392 Y	RST CHIPR 3.9KOHM +-5% 1/10W YAGEO	9JR610000104
R106	061T0603392 Y	RST CHIPR 3.9KOHM +-5% 1/10W YAGEO	9JR610000104
R107	061T0603102 Y	RST CHIPR 1KOHM +-5% 1/10W YAGEO	9JR610000070
R111	061T0805000 Y	RST CHIP MAX 0R05 1/8W YAGEO	9JR610000123
R113	061T0402101 Y	RST CHIP 100R 1/16W 5%	9JR610000040
R114	061T0603472 Y	RST CHIPR 4.7KOHM +-5% 1/10W YAGEO	9JR610000113
R115	061T06032201FY	RST CHIPR 2.2KOHM +-1% 1/10W YAGEO	9JR610000237
R117	061T06031201FY	RST CHIPR 1.2KOHM +-1% 1/10W YAGEO	9JR610000220
R119	061T0603223 Y	RST CHIPR 22KOHM +-5% 1/10W YAGEO	9JR610000095
R122	061T06031201FY	RST CHIPR 1.2KOHM +-1% 1/10W YAGEO	9JR610000220
R123	061T06031101FY	RST CHIPR 1.1KOHM +-1% 1/10W YAGEO	9JR610000217
R124	061T06032400FY	RST CHIPR 240 OHM +-1% 1/10W YAGEO	9JR610000240
R125	061T0402000 Y	RST CHIP MAX 0R05 1/16W YAGEO	9JR610000037
R126	061T0402102 Y	RST CHIP 1K 1/16W 5%	9JR610000041
R127	061T0603103 Y	RST CHIPR 10KOHM +-5% 1/10W YAGEO	9JR610000072
R128	061T0603103 Y	RST CHIPR 10KOHM +-5% 1/10W YAGEO	9JR610000072
R130	061T0603512 Y	RST CHIPR 5.1KOHM +-5% 1/10W YAGEO	9JR610000119
R135	061T0603473 Y	RST CHIPR 47KOHM +-5% 1/10W YAGEO	9JR610000114
R136	061T0603473 Y	RST CHIPR 47KOHM +-5% 1/10W YAGEO	9JR610000114
R138	061T0603000 Y	RST CHIP MAX 0R05 1/10W YAGEO	9JR610000060
R141	061T0603000 Y	RST CHIP MAX 0R05 1/10W YAGEO	9JR610000060
R144	061T0402102 Y	RST CHIP 1K 1/16W 5%	9JR610000041
R149	061T1206000 Y	RST CHIP MAX 0R05 1/4W YAGEO	9JR610000158
R150	061T1206000 Y	RST CHIP MAX 0R05 1/4W YAGEO	9JR610000158
R151	061T06031200FY	RST CHIPR 120 OHM +-1% 1/10W YAGEO	9JR610000079
R152	061T06031200FY	RST CHIPR 120 OHM +-1% 1/10W YAGEO	9JR610000079
R155	061T0805000 Y	RST CHIP MAX 0R05 1/8W YAGEO	9JR610000123
R157	061T0603222 Y	RST CHIPR 2.2KOHM +-5% 1/10W YAGEO	9JR610000091
R158	061T0603102 Y	RST CHIPR 1KOHM +-5% 1/10W YAGEO	9JR610000070
R159	061T0603103 Y	RST CHIPR 10KOHM +-5% 1/10W YAGEO	9JR610000072
R162	061T06031200FY	RST CHIPR 120 OHM +-1% 1/10W YAGEO	9JR610000079
R163	061T0603109 Y	RST CHIPR 1 OHM +-5% 1/10W YAGEO	9JR610000077
R164	061T0603102 Y	RST CHIPR 1KOHM +-5% 1/10W YAGEO	9JR610000070
R165	061T06031200FY	RST CHIPR 120 OHM +-1% 1/10W YAGEO	9JR610000079
R167	061T0603109 Y	RST CHIPR 1 OHM +-5% 1/10W YAGEO	9JR610000077
R172	061T06032002FY	RST CHIPR 20KOHM +-1% 1/10W YAGEO	9JR610000233
R173	061T06035102FY	RST CHIPR 51KOHM +-1% 1/10W YAGEO	9JR610000118
R174	061T06034701FY	RST CHIPR 4.7KOHM +-1% 1/10W YAGEO	9JR610000109
R175	061T1206000 Y	RST CHIP MAX 0R05 1/4W YAGEO	9JR610000158
R200	061T0603000 Y	RST CHIP MAX 0R05 1/10W YAGEO	9JR610000060
R201	061T0603000 Y	RST CHIP MAX 0R05 1/10W YAGEO	9JR610000060
R202	061T0603472 Y	RST CHIPR 4.7KOHM +-5% 1/10W YAGEO	9JR610000113
R204	061T0603000 Y	RST CHIP MAX 0R05 1/10W YAGEO	9JR610000060
R205	061T04021000FY	RST CHIP 100R 1/16W 1%	9JR610000191
R206	061T04021000FY	RST CHIP 100R 1/16W 1%	9JR610000191
R207	061T0603472 Y	RST CHIPR 4.7KOHM +-5% 1/10W YAGEO	9JR610000113
R208	061T0603000 Y	RST CHIP MAX 0R05 1/10W YAGEO	9JR610000060
R209	061T0603472 Y	RST CHIPR 4.7KOHM +-5% 1/10W YAGEO	9JR610000113
R210	061T0603103 Y	RST CHIPR 10KOHM +-5% 1/10W YAGEO	9JR610000072
R211	061T0603100 Y	RST CHIPR 10 OHM +-5% 1/10W YAGEO	9JR610000214
R212	061T0603103 Y	RST CHIPR 10KOHM +-5% 1/10W YAGEO	9JR610000072
R213	061T06037509FY	RST CHIPR 75 OHM +-1% 1/10W YAGEO	9JR610000121
R214	061T0603100 Y	RST CHIPR 10 OHM +-5% 1/10W YAGEO	9JR610000214
R215	061T0402101 Y	RST CHIP 100R 1/16W 5%	9JR610000040
R216	061T0603750 Y	RST CHIPR 75 OHM +-5% 1/10W YAGEO	9JR610000253
R217	061T06037509FY	RST CHIPR 75 OHM +-1% 1/10W YAGEO	9JR610000121
R218	061T0603000 Y	RST CHIP MAX 0R05 1/10W YAGEO	9JR610000060
R227	061T0603000 Y	RST CHIP MAX 0R05 1/10W YAGEO	9JR610000060
R228	061T0603000 Y	RST CHIP MAX 0R05 1/10W YAGEO	9JR610000060
R229	061T06031500FY	RST CHIPR 150 OHM +-1% 1/10W YAGEO	9JR610000223
R230	061T0603000 Y	RST CHIP MAX 0R05 1/10W YAGEO	9JR610000060
R231	061T0603105 Y	RST CHIPR 1MOHM +-5% 1/10W YAGEO	9JR610000076
R232	061T0603000 Y	RST CHIP MAX 0R05 1/10W YAGEO	9JR610000060
R233	061T0603101 Y	RST CHIPR 100 OHM +-5% 1/10W YAGEO	9JR610000066
R234	061T0603000 Y	RST CHIP MAX 0R05 1/10W YAGEO	9JR610000060
R235	061T0603000 Y	RST CHIP MAX 0R05 1/10W YAGEO	9JR610000060

R236	061T06031600FY	RST CHIPR 160 OHM +-1% 1/10W YAGEO	9JR6100000226
R237	061T06032200FY	RST CHIPR 220 OHM +-1% 1/10W YAGEO	9JR6100000235
R238	061T0603102 Y	RST CHIPR 1KOHM +-5% 1/10W YAGEO	9JR6100000070
R239	061T0603000 Y	RST CHIP MAX 0R05 1/10W YAGEO	9JR6100000060
R241	061T0603102 Y	RST CHIPR 1KOHM +-5% 1/10W YAGEO	9JR6100000070
R242	061T0603102 Y	RST CHIPR 1KOHM +-5% 1/10W YAGEO	9JR6100000070
R244	061T0603100 Y	RST CHIPR 10 OHM +-5% 1/10W YAGEO	9JR6100000214
R245	061T0603000 Y	RST CHIP MAX 0R05 1/10W YAGEO	9JR6100000060
R251	061T0402472 Y	RST CHIP 4K7 1/16W 5%	9JR6100000054
R253	061T0402472 Y	RST CHIP 4K7 1/16W 5%	9JR6100000054
R254	061T0402472 Y	RST CHIP 4K7 1/16W 5%	9JR6100000054
R258	061T0402472 Y	RST CHIP 4K7 1/16W 5%	9JR6100000054
R259	061T0402472 Y	RST CHIP 4K7 1/16W 5%	9JR6100000054
R265	061T0603472 Y	RST CHIPR 4.7KOHM +-5% 1/10W YAGEO	9JR6100000113
R268	061T0603472 Y	RST CHIPR 4.7KOHM +-5% 1/10W YAGEO	9JR6100000113
R300	061T06031001FY	RST CHIPR 1KOHM +-1% 1/10W YAGEO	9JR6100000064
R301	061T0402103 Y	RST CHIP 10K 1/16W 5%	9JR6100000043
R302	061T0402103 Y	RST CHIP 10K 1/16W 5%	9JR6100000043
R303	061T0402330 Y	RST CHIP 33R 1/16W 5%	9JR6100000051
R304	061T0402103 Y	RST CHIP 10K 1/16W 5%	9JR6100000043
R306	061T0402103 Y	RST CHIP 10K 1/16W 5%	9JR6100000043
R307	061T0402103 Y	RST CHIP 10K 1/16W 5%	9JR6100000043
R314	061T06033901FY	RST CHIPR 3.9KOHM +-1% 1/10W YAGEO	9JR6100000103
R315	061T0402103 Y	RST CHIP 10K 1/16W 5%	9JR6100000043
R316	061T0402102 Y	RST CHIP 1K 1/16W 5%	9JR6100000041
R317	061T0603109 Y	RST CHIPR 1 OHM +-5% 1/10W YAGEO	9JR6100000077
R319	061T0402101 Y	RST CHIP 100R 1/16W 5%	9JR6100000040
R320	061T0402101 Y	RST CHIP 100R 1/16W 5%	9JR6100000040
R322	061T0603000 Y	RST CHIP MAX 0R05 1/10W YAGEO	9JR6100000060
R325	061T0402472 Y	RST CHIP 4K7 1/16W 5%	9JR6100000054
R326	061T0402472 Y	RST CHIP 4K7 1/16W 5%	9JR6100000054
R331	061T0402512 Y	RST CHIP 5K1 1/16W 5%	9JR6100000056
R336	061T0603000 Y	RST CHIP MAX 0R05 1/10W YAGEO	9JR6100000060
R341	061T0402000 Y	RST CHIP MAX 0R05 1/16W YAGEO	9JR6100000037
R350	061T0603330 Y	RST CHIPR 33 OHM +-5% 1/10W YAGEO	9JR6100000100
R351	061T0603510 Y	RST CHIPR 51 OHM +-5% 1/10W YAGEO	9JR6100000116
R352	061T0603330 Y	RST CHIPR 33 OHM +-5% 1/10W YAGEO	9JR6100000100
R353	061T0603510 Y	RST CHIPR 51 OHM +-5% 1/10W YAGEO	9JR6100000116
R354	061T0603510 Y	RST CHIPR 51 OHM +-5% 1/10W YAGEO	9JR6100000116
R355	061T0603510 Y	RST CHIPR 51 OHM +-5% 1/10W YAGEO	9JR6100000116
R357	061T0603510 Y	RST CHIPR 51 OHM +-5% 1/10W YAGEO	9JR6100000116
R358	061T0603101 Y	RST CHIPR 100 OHM +-5% 1/10W YAGEO	9JR6100000066
R359	061T0603101 Y	RST CHIPR 100 OHM +-5% 1/10W YAGEO	9JR6100000066
R360	061T0603000 Y	RST CHIP MAX 0R05 1/10W YAGEO	9JR6100000060
R361	061T0603000 Y	RST CHIP MAX 0R05 1/10W YAGEO	9JR6100000060
R362	061T0603000 Y	RST CHIP MAX 0R05 1/10W YAGEO	9JR6100000060
R363	061T0603000 Y	RST CHIP MAX 0R05 1/10W YAGEO	9JR6100000060
R365	061T0603472 Y	RST CHIPR 4.7KOHM +-5% 1/10W YAGEO	9JR6100000113
R366	061T0603000 Y	RST CHIP MAX 0R05 1/10W YAGEO	9JR6100000060
R367	061T0603101 Y	RST CHIPR 100 OHM +-5% 1/10W YAGEO	9JR6100000066
R370	061T0603101 Y	RST CHIPR 100 OHM +-5% 1/10W YAGEO	9JR6100000066
R372	061T0603101 Y	RST CHIPR 100 OHM +-5% 1/10W YAGEO	9JR6100000066
R374	061T0603471 Y	RST CHIPR 470 OHM +-5% 1/10W YAGEO	9JR6100000111
R375	061T0603101 Y	RST CHIPR 100 OHM +-5% 1/10W YAGEO	9JR6100000066
R384	061T06033901FY	RST CHIPR 3.9KOHM +-1% 1/10W YAGEO	9JR6100000103
R385	061T0603472 Y	RST CHIPR 4.7KOHM +-5% 1/10W YAGEO	9JR6100000113
R386	061T06031000FY	RST CHIPR 100 OHM +-1% 1/10W YAGEO	9JR6100000062
R388	061T0603472 Y	RST CHIPR 4.7KOHM +-5% 1/10W YAGEO	9JR6100000113
R389	061T06031000FY	RST CHIPR 100 OHM +-1% 1/10W YAGEO	9JR6100000062
R393	061T0603103 Y	RST CHIPR 10KOHM +-5% 1/10W YAGEO	9JR6100000072
R394	061T0603000 Y	RST CHIP MAX 0R05 1/10W YAGEO	9JR6100000060
R395	061T0603101 Y	RST CHIPR 100 OHM +-5% 1/10W YAGEO	9JR6100000066
R396	061T0603472 Y	RST CHIPR 4.7KOHM +-5% 1/10W YAGEO	9JR6100000113
R397	061T0603000 Y	RST CHIP MAX 0R05 1/10W YAGEO	9JR6100000060
R398	061T0603103 Y	RST CHIPR 10KOHM +-5% 1/10W YAGEO	9JR6100000072
R399	061T0603000 Y	RST CHIP MAX 0R05 1/10W YAGEO	9JR6100000060
R400	061T0603105 Y	RST CHIPR 1MOHM +-5% 1/10W YAGEO	9JR6100000076

LC-26SB25E/S/RU, LC-32SB25E/S/RU, LC-42SB55E/S/RU

R401	061T0603103 Y	RST CHIPR 10KOHM +-5% 1/10W YAGEO	9JR610000072
R403	061T0603103 Y	RST CHIPR 10KOHM +-5% 1/10W YAGEO	9JR610000072
R404	061T0603103 Y	RST CHIPR 10KOHM +-5% 1/10W YAGEO	9JR610000072
R405	061T0603103 Y	RST CHIPR 10KOHM +-5% 1/10W YAGEO	9JR610000072
R406	061T0603103 Y	RST CHIPR 10KOHM +-5% 1/10W YAGEO	9JR610000072
R407	061T0603103 Y	RST CHIPR 10KOHM +-5% 1/10W YAGEO	9JR610000072
R408	061T0603103 Y	RST CHIPR 10KOHM +-5% 1/10W YAGEO	9JR610000072
R410	061T0603000 Y	RST CHIP MAX 0R05 1/10W YAGEO	9JR610000060
R411	061T0603330 Y	RST CHIPR 33 OHM +-5% 1/10W YAGEO	9JR610000100
R412	061T0603330 Y	RST CHIPR 33 OHM +-5% 1/10W YAGEO	9JR610000100
R413	061T0603330 Y	RST CHIPR 33 OHM +-5% 1/10W YAGEO	9JR610000100
R414	061T0603330 Y	RST CHIPR 33 OHM +-5% 1/10W YAGEO	9JR610000100
R415	061T0603101 Y	RST CHIPR 100 OHM +-5% 1/10W YAGEO	9JR610000066
R417	061T0603101 Y	RST CHIPR 100 OHM +-5% 1/10W YAGEO	9JR610000066
R419	061T0603472 Y	RST CHIPR 4.7KOHM +-5% 1/10W YAGEO	9JR6100000113
R421	061T0603472 Y	RST CHIPR 4.7KOHM +-5% 1/10W YAGEO	9JR6100000113
R424	061T0603473 Y	RST CHIPR 47KOHM +-5% 1/10W YAGEO	9JR6100000114
R425	061T0603103 Y	RST CHIPR 10KOHM +-5% 1/10W YAGEO	9JR610000072
R426	061T0603103 Y	RST CHIPR 10KOHM +-5% 1/10W YAGEO	9JR610000072
R427	061T0603103 Y	RST CHIPR 10KOHM +-5% 1/10W YAGEO	9JR610000072
R432	061T0603000 Y	RST CHIP MAX 0R05 1/10W YAGEO	9JR610000060
R433	061T0603101 Y	RST CHIPR 100 OHM +-5% 1/10W YAGEO	9JR610000066
R434	061T0603101 Y	RST CHIPR 100 OHM +-5% 1/10W YAGEO	9JR610000066
R435	061T0603472 Y	RST CHIPR 4.7KOHM +-5% 1/10W YAGEO	9JR6100000113
R436	061T0603472 Y	RST CHIPR 4.7KOHM +-5% 1/10W YAGEO	9JR6100000113
R437	061T0603101 Y	RST CHIPR 100 OHM +-5% 1/10W YAGEO	9JR610000066
R438	061T0603101 Y	RST CHIPR 100 OHM +-5% 1/10W YAGEO	9JR610000066
R439	061T0603101 Y	RST CHIPR 100 OHM +-5% 1/10W YAGEO	9JR610000066
R500	061T0603750 Y	RST CHIPR 75 OHM +-5% 1/10W YAGEO	9JR6100000253
R501	061T0603750 Y	RST CHIPR 75 OHM +-5% 1/10W YAGEO	9JR6100000253
R502	061T0603750 Y	RST CHIPR 75 OHM +-5% 1/10W YAGEO	9JR6100000253
R504	061T0603103 Y	RST CHIPR 10KOHM +-5% 1/10W YAGEO	9JR610000072
R505	061T0603333 Y	RST CHIPR 33KOHM +-5% 1/10W YAGEO	9JR6100000243
R506	061T0603333 Y	RST CHIPR 33KOHM +-5% 1/10W YAGEO	9JR6100000243
R507	061T0603333 Y	RST CHIPR 33KOHM +-5% 1/10W YAGEO	9JR6100000243
R508	061T0603000 Y	RST CHIP MAX 0R05 1/10W YAGEO	9JR610000060
R509	061T0603000 Y	RST CHIP MAX 0R05 1/10W YAGEO	9JR610000060
R511	061T0603103 Y	RST CHIPR 10KOHM +-5% 1/10W YAGEO	9JR610000072
R512	061T0603103 Y	RST CHIPR 10KOHM +-5% 1/10W YAGEO	9JR610000072
R513	061T0402680 Y	RST CHIP 68R 1/16W 5%	9JR610000061
R514	061T0402101 Y	RST CHIP 100R 1/16W 5%	9JR610000040
R515	061T0402101 Y	RST CHIP 100R 1/16W 5%	9JR610000040
R516	061T0402750 Y	RST CHIP 75R 1/16W 5%	9JR610000058
R517	061T0402750 Y	RST CHIP 75R 1/16W 5%	9JR610000058
R518	061T0402101 Y	RST CHIP 100R 1/16W 5%	9JR610000040
R519	061T0402750 Y	RST CHIP 75R 1/16W 5%	9JR610000058
R520	061T0402680 Y	RST CHIP 68R 1/16W 5%	9JR610000061
R521	061T0402000 Y	RST CHIP MAX 0R05 1/16W YAGEO	9JR610000037
R522	061T0402680 Y	RST CHIP 68R 1/16W 5%	9JR610000061
R523	061T0402203 Y	RST CHIP 20K 1/16W 5%	9JR610000046
R524	061T0402000 Y	RST CHIP MAX 0R05 1/16W YAGEO	9JR610000037
R525	061T0402203 Y	RST CHIP 20K 1/16W 5%	9JR610000046
R526	061T0402203 Y	RST CHIP 20K 1/16W 5%	9JR610000046
R527	061T0402203 Y	RST CHIP 20K 1/16W 5%	9JR610000046
R528	061T0402750 Y	RST CHIP 75R 1/16W 5%	9JR610000058
R529	061T0402270 Y	RST CHIP 27R 1/16W 5%	9JR610000048
R530	061T0402470 Y	RST CHIP 47R 1/16W 5%	9JR610000053
R531	061T0402000 Y	RST CHIP MAX 0R05 1/16W YAGEO	9JR610000037
R532	061T0402101 Y	RST CHIP 100R 1/16W 5%	9JR610000040
R533	061T0402101 Y	RST CHIP 100R 1/16W 5%	9JR610000040
R534	061T0402270 Y	RST CHIP 27R 1/16W 5%	9JR610000048
R535	061T0402470 Y	RST CHIP 47R 1/16W 5%	9JR610000053
R536	061T0402000 Y	RST CHIP MAX 0R05 1/16W YAGEO	9JR610000037
R537	061T0402101 Y	RST CHIP 100R 1/16W 5%	9JR610000040
R550	061T0402000 Y	RST CHIP MAX 0R05 1/16W YAGEO	9JR610000037
R551	061T0402000 Y	RST CHIP MAX 0R05 1/16W YAGEO	9JR610000037
R552	061T0603103 Y	RST CHIPR 10KOHM +-5% 1/10W YAGEO	9JR610000072

R553	061T0402680 Y	RST CHIP 68R 1/16W 5%	9JR610000061
R554	061T0603103 Y	RST CHIPR 10KOHM +-5% 1/10W YAGEO	9JR610000072
R555	061T0603101 Y	RST CHIPR 100 OHM +-5% 1/10W YAGEO	9JR610000066
R556	061T0402750 Y	RST CHIP 75R 1/16W 5%	9JR610000058
R557	061T0402101 Y	RST CHIP 100R 1/16W 5%	9JR610000040
R558	061T0603103 Y	RST CHIPR 10KOHM +-5% 1/10W YAGEO	9JR610000072
R559	061T0402680 Y	RST CHIP 68R 1/16W 5%	9JR610000061
R561	061T0402750 Y	RST CHIP 75R 1/16W 5%	9JR610000058
R563	061T0402101 Y	RST CHIP 100R 1/16W 5%	9JR610000040
R565	061T0402750 Y	RST CHIP 75R 1/16W 5%	9JR610000058
R567	061T0402680 Y	RST CHIP 68R 1/16W 5%	9JR610000061
R568	061T0402203 Y	RST CHIP 20K 1/16W 5%	9JR610000046
R570	061T0402000 Y	RST CHIP MAX 0R05 1/16W YAGEO	9JR610000037
R572	061T0402203 Y	RST CHIP 20K 1/16W 5%	9JR610000046
R575	061T0402000 Y	RST CHIP MAX 0R05 1/16W YAGEO	9JR610000037
R576	061T0603000 Y	RST CHIP MAX 0R05 1/10W YAGEO	9JR610000060
R577	061T0603000 Y	RST CHIP MAX 0R05 1/10W YAGEO	9JR610000060
R578	061T0603203 Y	RST CHIPR 20KOHM +-5% 1/10W YAGEO	9JR610000234
R579	061T0402750 Y	RST CHIP 75R 1/16W 5%	9JR610000058
R580	061T0402680 Y	RST CHIP 68R 1/16W 5%	9JR610000061
R581	061T0402750 Y	RST CHIP 75R 1/16W 5%	9JR610000058
R582	061T0402000 Y	RST CHIP MAX 0R05 1/16W YAGEO	9JR610000037
R583	061T0402680 Y	RST CHIP 68R 1/16W 5%	9JR610000061
R584	061T0402750 Y	RST CHIP 75R 1/16W 5%	9JR610000058
R585	061T0402101 Y	RST CHIP 100R 1/16W 5%	9JR610000040
R586	061T0603203 Y	RST CHIPR 20KOHM +-5% 1/10W YAGEO	9JR610000234
R587	061T0402680 Y	RST CHIP 68R 1/16W 5%	9JR610000061
R588	061T0402101 Y	RST CHIP 100R 1/16W 5%	9JR610000040
R589	061T0603103 Y	RST CHIPR 10KOHM +-5% 1/10W YAGEO	9JR610000072
R590	061T0603101 Y	RST CHIPR 100 OHM +-5% 1/10W YAGEO	9JR610000066
R591	061T0603101 Y	RST CHIPR 100 OHM +-5% 1/10W YAGEO	9JR610000066
R592	061T0402101 Y	RST CHIP 100R 1/16W 5%	9JR610000040
R593	061T0402202 Y	RST CHIP 2K +-5% 1/16W	9JR610000045
R594	061T0402000 Y	RST CHIP MAX 0R05 1/16W YAGEO	9JR610000037
R595	061T0402202 Y	RST CHIP 2K +-5% 1/16W	9JR610000045
R596	061T0402000 Y	RST CHIP MAX 0R05 1/16W YAGEO	9JR610000037
R597	061T0402000 Y	RST CHIP MAX 0R05 1/16W YAGEO	9JR610000037
R598	061T0402000 Y	RST CHIP MAX 0R05 1/16W YAGEO	9JR610000037
R600	061T0402000 Y	RST CHIP MAX 0R05 1/16W YAGEO	9JR610000037
R601	061T0603472 Y	RST CHIPR 4.7KOHM +-5% 1/10W YAGEO	9JR610000113
R602	061T0603102 Y	RST CHIPR 1KOHM +-5% 1/10W YAGEO	9JR610000070
R603	061T0603200 Y	RST CHIPR 20 OHM +-5% 1/10W YAGEO	9JR610000231
R604	061T0603200 Y	RST CHIPR 20 OHM +-5% 1/10W YAGEO	9JR610000231
R606	061T0603472 Y	RST CHIPR 4.7KOHM +-5% 1/10W YAGEO	9JR610000113
R607	061T0402103 Y	RST CHIP 10K 1/16W 5%	9JR610000043
R608	061T0402223 Y	RST CHIP 22K 1/16W 5%	9JR610000199
R609	061T0603104 Y	RST CHIPR 100KOHM +-5% 1/10W YAGEO	9JR610000074
R610	061T0603472 Y	RST CHIPR 4.7KOHM +-5% 1/10W YAGEO	9JR610000113
R611	061T0603273 Y	RST CHIPR 27KOHM +-5% 1/10W YAGEO	9JR610000241
R612	061T0402223 Y	RST CHIP 22K 1/16W 5%	9JR610000199
R613	061T0603273 Y	RST CHIPR 27KOHM +-5% 1/10W YAGEO	9JR610000241
R615	061T0603203 Y	RST CHIPR 20KOHM +-5% 1/10W YAGEO	9JR610000234
R616	061T0402472 Y	RST CHIP 4K7 1/16W 5%	9JR610000054
R617	061T0402104 Y	RST CHIP 100K 1/16W 5%	9JR610000044
R618	061T0402000 Y	RST CHIP MAX 0R05 1/16W YAGEO	9JR610000037
R619	061T0402101 Y	RST CHIP 100R 1/16W 5%	9JR610000040
R620	061T0402472 Y	RST CHIP 4K7 1/16W 5%	9JR610000054
R621	061T0402101 Y	RST CHIP 100R 1/16W 5%	9JR610000040
R622	061T0402104 Y	RST CHIP 100K 1/16W 5%	9JR610000044
R623	061T0603472 Y	RST CHIPR 4.7KOHM +-5% 1/10W YAGEO	9JR610000113
R624	061T0603103 Y	RST CHIPR 10KOHM +-5% 1/10W YAGEO	9JR610000072
R625	061T0805100 Y	RST CHIPR 10 OHM +-5% 1/8W YAGEO	9JR610000256
R626	061T06031802FY	RST CHIPR 18KOHM +-1% 1/10W YAGEO	9JR610000229
R627	061T0402223 Y	RST CHIP 22K 1/16W 5%	9JR610000199
R628	061T06031802FY	RST CHIPR 18KOHM +-1% 1/10W YAGEO	9JR610000229
R629	061T1206220 Y	RST CHIPR 22 OHM +-5% 1/4W YAGEO	9JR610000165
R631	061T0603203 Y	RST CHIPR 20KOHM +-5% 1/10W YAGEO	9JR610000234

LC-26SB25E/S/RU, LC-32SB25E/S/RU, LC-42SB55E/S/RU

R632	061T1206100 Y	RST CHIPR 10 OHM +-5% 1/4W YAGEO	9JR6100000160
R633	061T0402101 Y	RST CHIP 100R 1/16W 5%	9JR6100000040
R634	061T0402223 Y	RST CHIP 22K 1/16W 5%	9JR6100000199
R635	061T0402393 Y	RST CHIP 39K 1/16W 5%	9JR6100000052
R636	061T0603473 Y	RST CHIPR 47KOHM +-5% 1/10W YAGEO	9JR6100000114
R637	061T1206100 Y	RST CHIPR 10 OHM +-5% 1/4W YAGEO	9JR6100000160
R638	061T1206220 Y	RST CHIPR 22 OHM +-5% 1/4W YAGEO	9JR6100000165
R639	061T06031802FY	RST CHIPR 18KOHM +-1% 1/10W YAGEO	9JR6100000229
R640	061T0402223 Y	RST CHIP 22K 1/16W 5%	9JR6100000199
R641	061T06031802FY	RST CHIPR 18KOHM +-1% 1/10W YAGEO	9JR6100000229
R642	061T0603000 Y	RST CHIP MAX 0R05 1/10W YAGEO	9JR6100000060
R643	061T0603000 Y	RST CHIP MAX 0R05 1/10W YAGEO	9JR6100000060
R644	061T0603472 Y	RST CHIPR 4.7KOHM +-5% 1/10W YAGEO	9JR6100000113
R645	061T0603000 Y	RST CHIP MAX 0R05 1/10W YAGEO	9JR6100000060
R646	061T0603000 Y	RST CHIP MAX 0R05 1/10W YAGEO	9JR6100000060
R647	061T0603101 Y	RST CHIPR 100 OHM +-5% 1/10W YAGEO	9JR6100000066
R648	061T0603473 Y	RST CHIPR 47KOHM +-5% 1/10W YAGEO	9JR6100000114
R649	061T0402202 Y	RST CHIP 2K +-5% 1/16W	9JR6100000045
R650	061T0402512 Y	RST CHIP 5K1 1/16W 5%	9JR6100000056
R651	061T06031800FY	RST CHIPR 180 OHM +-1% 1/10W YAGEO	9JR6100000227
R652	061T06032202FY	RST CHIPR 22KOHM +-1% 1/10W YAGEO	9JR6100000089
R653	061T0402473 Y	RST CHIP 47K 1/16W 5%	9JR6100000055
R654	061T0603103 Y	RST CHIPR 10KOHM +-5% 1/10W YAGEO	9JR6100000072
R655	061T0603333 Y	RST CHIPR 33KOHM +-5% 1/10W YAGEO	9JR6100000243
R656	061T0402101 Y	RST CHIP 100R 1/16W 5%	9JR6100000040
R657	061T0402470 Y	RST CHIP 47R 1/16W 5%	9JR6100000053
R659	061T0603472 Y	RST CHIPR 4.7KOHM +-5% 1/10W YAGEO	9JR6100000113
R660	061T0603203 Y	RST CHIPR 20KOHM +-5% 1/10W YAGEO	9JR6100000234
R661	061T0402270 Y	RST CHIP 27R 1/16W 5%	9JR6100000048
R662	061T0603000 Y	RST CHIP MAX 0R05 1/10W YAGEO	9JR6100000060
R663	061T0603203 Y	RST CHIPR 20KOHM +-5% 1/10W YAGEO	9JR6100000234
R664	061T0402270 Y	RST CHIP 27R 1/16W 5%	9JR6100000048
R665	061T04023300FY	RST CHIP 330R 1/16W 1%	9JR6100000201
R666	061T0402101 Y	RST CHIP 100R 1/16W 5%	9JR6100000040
R667	061T0402470 Y	RST CHIP 47R 1/16W 5%	9JR6100000053
R668	061T0402102 Y	RST CHIP 1K 1/16W 5%	9JR6100000041
R669	061T0402101 Y	RST CHIP 100R 1/16W 5%	9JR6100000040
R670	061T0603750 Y	RST CHIPR 75 OHM +-5% 1/10W YAGEO	9JR6100000253
R671	061T0402470 Y	RST CHIP 47R 1/16W 5%	9JR6100000053
R672	061T0402473 Y	RST CHIP 47K 1/16W 5%	9JR6100000055
R673	061T0402270 Y	RST CHIP 27R 1/16W 5%	9JR6100000048
R675	061T06032202FY	RST CHIPR 22KOHM +-1% 1/10W YAGEO	9JR6100000089
R677	061T0603103 Y	RST CHIPR 10KOHM +-5% 1/10W YAGEO	9JR6100000072
R678	061T0603103 Y	RST CHIPR 10KOHM +-5% 1/10W YAGEO	9JR6100000072
R679	061T0603471 Y	RST CHIPR 470 OHM +-5% 1/10W YAGEO	9JR6100000111
R680	061T0603471 Y	RST CHIPR 470 OHM +-5% 1/10W YAGEO	9JR6100000111
R682	061T0603333 Y	RST CHIPR 33KOHM +-5% 1/10W YAGEO	9JR6100000243
R683	061T04023300FY	RST CHIP 330R 1/16W 1%	9JR6100000201
R684	061T04023300FY	RST CHIP 330R 1/16W 1%	9JR6100000201
R685	061T04023300FY	RST CHIP 330R 1/16W 1%	9JR6100000201
R686	061T04023300FY	RST CHIP 330R 1/16W 1%	9JR6100000201
R687	061T0402222 Y	RST CHIP 2K2 1/16W 5%	9JR6100000047
R688	061T04023300FY	RST CHIP 330R 1/16W 1%	9JR6100000201
R689	061T0402222 Y	RST CHIP 2K2 1/16W 5%	9JR6100000047
R690	061T0402222 Y	RST CHIP 2K2 1/16W 5%	9JR6100000047
R691	061T0603472 Y	RST CHIPR 4.7KOHM +-5% 1/10W YAGEO	9JR6100000113
R692	061T0603472 Y	RST CHIPR 4.7KOHM +-5% 1/10W YAGEO	9JR6100000113
R693	061T0402473 Y	RST CHIP 47K 1/16W 5%	9JR6100000055
R694	061T0402473 Y	RST CHIP 47K 1/16W 5%	9JR6100000055
R695	061T0603472 Y	RST CHIPR 4.7KOHM +-5% 1/10W YAGEO	9JR6100000113
R696	061T0603000 Y	RST CHIP MAX 0R05 1/10W YAGEO	9JR6100000060
R697	061T0402473 Y	RST CHIP 47K 1/16W 5%	9JR6100000055
R699	061T0402473 Y	RST CHIP 47K 1/16W 5%	9JR6100000055
R702	061T0402101 Y	RST CHIP 100R 1/16W 5%	9JR6100000040
R703	061T0402101 Y	RST CHIP 100R 1/16W 5%	9JR6100000040
R704	061T0402273 Y	RST CHIP 27K 1/16W 5%	9JR6100000049
R705	061T0402222 Y	RST CHIP 2K2 1/16W 5%	9JR6100000047

R706	061T0402000 Y	RST CHIP MAX 0R05 1/16W YAGEO	9JR6100000037
R707	061T0402000 Y	RST CHIP MAX 0R05 1/16W YAGEO	9JR6100000037
R710	061T0402103 Y	RST CHIP 10K 1/16W 5%	9JR6100000043
R711	061T0402473 Y	RST CHIP 47K 1/16W 5%	9JR6100000055
R712	061T0402473 Y	RST CHIP 47K 1/16W 5%	9JR6100000055
R713	061T0402101 Y	RST CHIP 100R 1/16W 5%	9JR6100000040
R714	061T0402101 Y	RST CHIP 100R 1/16W 5%	9JR6100000040
R715	061T0402330 Y	RST CHIP 33R 1/16W 5%	9JR6100000051
R717	061T0402104 Y	RST CHIP 100K 1/16W 5%	9JR6100000044
R718	061T0402102 Y	RST CHIP 1K 1/16W 5%	9JR6100000041
R720	061T0402472 Y	RST CHIP 4K7 1/16W 5%	9JR6100000054
R721	061T0402102 Y	RST CHIP 1K 1/16W 5%	9JR6100000041
R731	061T1206000 Y	RST CHIP MAX 0R05 1/4W YAGEO	9JR6100000158
R734	061T0402101 Y	RST CHIP 100R 1/16W 5%	9JR6100000040
R735	061T0402101 Y	RST CHIP 100R 1/16W 5%	9JR6100000040
R736	061T0402104 Y	RST CHIP 100K 1/16W 5%	9JR6100000044
R737	061T0402102 Y	RST CHIP 1K 1/16W 5%	9JR6100000041
R738	061T0402102 Y	RST CHIP 1K 1/16W 5%	9JR6100000041
R740	061T0402103 Y	RST CHIP 10K 1/16W 5%	9JR6100000043
R741	061T0402473 Y	RST CHIP 47K 1/16W 5%	9JR6100000055
R742	061T0402473 Y	RST CHIP 47K 1/16W 5%	9JR6100000055
R743	061T0402330 Y	RST CHIP 33R 1/16W 5%	9JR6100000051
R744	061T0402472 Y	RST CHIP 4K7 1/16W 5%	9JR6100000054
R751	061T0603000 Y	RST CHIP MAX 0R05 1/10W YAGEO	9JR6100000060
R755	061T0603102 Y	RST CHIPR 1KOHM +-5% 1/10W YAGEO	9JR6100000070
R758	061T0603472 Y	RST CHIPR 4.7KOHM +-5% 1/10W YAGEO	9JR6100000113
R759	061T0603472 Y	RST CHIPR 4.7KOHM +-5% 1/10W YAGEO	9JR6100000113
R760	061T0603101 Y	RST CHIPR 100 OHM +-5% 1/10W YAGEO	9JR6100000066
R761	061T0603472 Y	RST CHIPR 4.7KOHM +-5% 1/10W YAGEO	9JR6100000113
R764	061T0603202 Y	RST CHIPR 2KOHM +-5% 1/10W YAGEO	9JR6100000087
R765	061T0603103 Y	RST CHIPR 10KOHM +-5% 1/10W YAGEO	9JR6100000072
RN230	061T 125330 8Y	RST CHIP AR 8P4R 33 OHM +-5% 1/16W	9JR6100000186
RN231	061T 125330 8Y	RST CHIP AR 8P4R 33 OHM +-5% 1/16W	9JR6100000186
RN232	061T 125330 8Y	RST CHIP AR 8P4R 33 OHM +-5% 1/16W	9JR6100000186
RP350	061T 125510 8Y	RST CHIP ARRAY 51R 1/16W 5% 8P4R	9JR6100000187
RP351	061T 125510 8Y	RST CHIP ARRAY 51R 1/16W 5% 8P4R	9JR6100000187
RP352	061T 125510 8Y	RST CHIP ARRAY 51R 1/16W 5% 8P4R	9JR6100000187
RP353	061T 125510 8Y	RST CHIP ARRAY 51R 1/16W 5% 8P4R	9JR6100000187
TU200	094TPASEBGL 3M	TUNER ENG37E14KRF	9JR9400000002
U102	056T 563928	IC LP2996MRX PSOP-8	9JR5600000012
U103	056T 563948	IC L5985 VFQFPN8	9JR5600000013
U104	056T 563948	IC L5985 VFQFPN8	9JR5600000013
U151	056T 563916	IC LD1117DT33TR DPAK	9JR5600000011
U152	056T 563129	IC AME8810-AEGTZ 0.6A/3.3V SOT-223	9JR5600000033
U153	056T 563951	IC LD1117ADT-TR DPAK	9JR5600000034
U154	056T 563906	IC LD1117DTTR DPAK(T&R)	9JR5600000010
U156	056T 563906	IC LD1117DTTR DPAK(T&R)	9JR5600000010
U157	056T 563916	IC LD1117DT33TR DPAK	9JR5600000011
U158	056T 1331PH	LD1117S18 SOT-223	9JR5600000027
U159	056T 563949	IC LD39080PT-R PPAK	9JR5600000014
U231	056T 647 25	IC MT5133AN QFN-48	9JR5600000045
U302	056T 643 35	IC MAX809STRG 2.93V SOT23-3	9JR5600000022
U351	056T 615911	IC NT5TU16M16AG-3C BGA84	9JR5600000017
U352	056T 615911	IC NT5TU16M16AG-3C BGA84	9JR5600000017
U400	056T 562930	IC MT5336PKR PBGA-465	9JR5600000030
U401	056T1126 40	IC MT8295AE LQFP-128	9JR5600000049
U550	056T1133913	IC M24C02-WDW6P TSSOP8	9JR5600000025
U600	056T 616912	IC TDA8933BTW HTSSOP32	9JR5600000019
U601	056T 616517	IC TS486IDT ST	9JR5600000040
U602	056T 647903	IC WM8521H9GED/RV SOIC-14	9JR5600000046
U603	056T 616914	IC RC4580IPWR TSSOP8	9JR5600000042
U604	056T 133 22 ST	IC L78L09ACZ-AP TO-92	9JR5600000026
U701	056T1133913	IC M24C02-WDW6P TSSOP8	9JR5600000025
U708	056T1133913	IC M24C02-WDW6P TSSOP8	9JR5600000025
X300	093T 22S917 C	CRYSTAL 60MHz 9P SMD-49	9JR9300000009
X400	093T 22S921 C	CRYSTAL 27MHz 20P SMD-5.0x3.2	9JR9300000048
Y230	093T 22S920 C	CRYSTAL 27MHz 20P SMD-49	9JR9300000047

LC-26SB25E/S/RU, LC-32SB25E/S/RU, LC-42SB55E/S/RU

ZD200	093T 39S 34 T	UDZSNP5.6B ROHM	9JR9300000015
ZD500	093T 39S 34 T	UDZSNP5.6B ROHM	9JR9300000015
ZD501	093T 39S 34 T	UDZSNP5.6B ROHM	9JR9300000015
ZD502	093T 39S 34 T	UDZSNP5.6B ROHM	9JR9300000015
ZD503	093T 39S 34 T	UDZSNP5.6B ROHM	9JR9300000015
ZD504	093T 64 37 N	V-PORT-0603-100K V05	9JR9300000045
ZD505	093T 64 37 N	V-PORT-0603-100K V05	9JR9300000045
ZD506	093T 39GA28 T	ZENER DIODE RLZ13B SEMTECH	9JR9300000052
ZD507	093T 39S 34 T	UDZSNP5.6B ROHM	9JR9300000015
ZD508	093T 64 37 N	V-PORT-0603-100K V05	9JR9300000045
ZD509	093T 64 37 N	V-PORT-0603-100K V05	9JR9300000045
ZD510	093T 39GA28 T	ZENER DIODE RLZ13B SEMTECH	9JR9300000052
ZD511	093T 39S 34 T	UDZSNP5.6B ROHM	9JR9300000015
ZD512	093T 39S 34 T	UDZSNP5.6B ROHM	9JR9300000015
ZD513	093T 39S 34 T	UDZSNP5.6B ROHM	9JR9300000015
ZD550	093T 39S 34 T	UDZSNP5.6B ROHM	9JR9300000015
ZD551	093T 39S 34 T	UDZSNP5.6B ROHM	9JR9300000015
ZD552	093T 39S 34 T	UDZSNP5.6B ROHM	9JR9300000015
ZD553	093T 39S 34 T	UDZSNP5.6B ROHM	9JR9300000015
ZD554	093T 39S 34 T	UDZSNP5.6B ROHM	9JR9300000015
ZD555	093T 39S 34 T	UDZSNP5.6B ROHM	9JR9300000015
ZD556	093T 64 37 N	V-PORT-0603-100K V05	9JR9300000045
ZD557	093T 64 37 N	V-PORT-0603-100K V05	9JR9300000045
ZD558	093T 64 37 N	V-PORT-0603-100K V05	9JR9300000045
ZD559	093T 64 37 N	V-PORT-0603-100K V05	9JR9300000045
ZD560	093T 39S 34 T	UDZSNP5.6B ROHM	9JR9300000015
ZD561	093T 39S 34 T	UDZSNP5.6B ROHM	9JR9300000015
ZD562	093T 39S 34 T	UDZSNP5.6B ROHM	9JR9300000015
ZD563	093T 39S 34 T	UDZSNP5.6B ROHM	9JR9300000015
ZD650	093T 39S 34 T	UDZSNP5.6B ROHM	9JR9300000015
ZD651	093T 64 37 N	V-PORT-0603-100K V05	9JR9300000045
ZD652	093T 64 37 N	V-PORT-0603-100K V05	9JR9300000045
ZD653	093T 39S 34 T	UDZSNP5.6B ROHM	9JR9300000015
ZD654	093T 39S 34 T	UDZSNP5.6B ROHM	9JR9300000015
ZD655	093T 64 37 N	V-PORT-0603-100K V05	9JR9300000045
ZD656	093T 64 37 N	V-PORT-0603-100K V05	9JR9300000045
ZD657	093T 64 37 N	V-PORT-0603-100K V05	9JR9300000045
ZD658	093T 64 37 N	V-PORT-0603-100K V05	9JR9300000045
ZD659	093T 64 37 N	V-PORT-0603-100K V05	9JR9300000045
ZD660	093T 64 37 N	V-PORT-0603-100K V05	9JR9300000045
ZD661	093T 64 37 N	V-PORT-0603-100K V05	9JR9300000045
ZD702	093T 39S906 T	DIODE PDZ24B SOD-323 PHILIPS	9JR9300000016
ZD704	093T 39S906 T	DIODE PDZ24B SOD-323 PHILIPS	9JR9300000016
Power PCB 1054 ADTV82420PA3 POWER PCB ASSY			
BD901	093T 50460 34	BRIDGE KBJ608G 6A/800V KBJ	9JR9300000040
C901	063T107K474 US	X2 CAP 0.47UF K 275VAC	9JR6300000006
C902	065G306K4712B3	Y1 CAP 470pF +/-10% 250VAC CD SERIES	9JR6500000111
C903	065G306K4712B3	Y1 CAP 470pF +/-10% 250VAC CD SERIES	9JR6500000111
C904	063T107K474 US	X2 CAP 0.47UF K 275VAC	9JR6300000006
C905	063T210K105HCJ	CAP MPH 1UF 500V 10%	9JR6300000008
C906	065T306M2222B3	CER Y2 2200PF M 400VAC TDK	9JR6500000107
C907	067G 4012115L	EC 120uF 450V LSG 30x25mm	9JR6700000053
C908	065T306M2222B3	CER Y2 2200PF M 400VAC TDK	9JR6500000107
C909	065T120622522K 3	CAP CHIP 2U2 25V X7R 1206 10%	9JR6500000158
C911	065T080510432K Y	CAP CHIP 0805 0.1UF K 50V X7R	9JR6500000071
C912	065T080522131J Y	CAP CHIP 0805 220PF J 50V NPO	9JR6500000149
C913	065T080533422K 3	CAP CHIP 0805 330N 25V X7R +/-10%	9JR6500000086
C914	065T080510522K 3	CAP CHIP 0805 1U 25V X7R +/-10%	9JR6500000145
C915	065G080510232K Y	CAP CHIP 0805 1N 50V X7R +/-10%	9JR6500000110
C916	065T080510031J Y	CAP CHIP 0805 10P 50V NPO +/-5%	9JR6500000143
C931	065T080533432K 3	CAP CHIP 0805 330N 50V X7R +/-10%	9JR6500000151
C932	065T080522422K 3	CAP CHIP 0805 220N 25V X7R -/+ 10%	9JR6500000150
C933	065T080522131J Y	CAP CHIP 0805 220PF J 50V NPO	9JR6500000149
C934	065T080510522K 3	CAP CHIP 0805 1U 25V X7R +/-10%	9JR6500000145
C935	065T080510432K Y	CAP CHIP 0805 0.1UF K 50V X7R	9JR6500000071

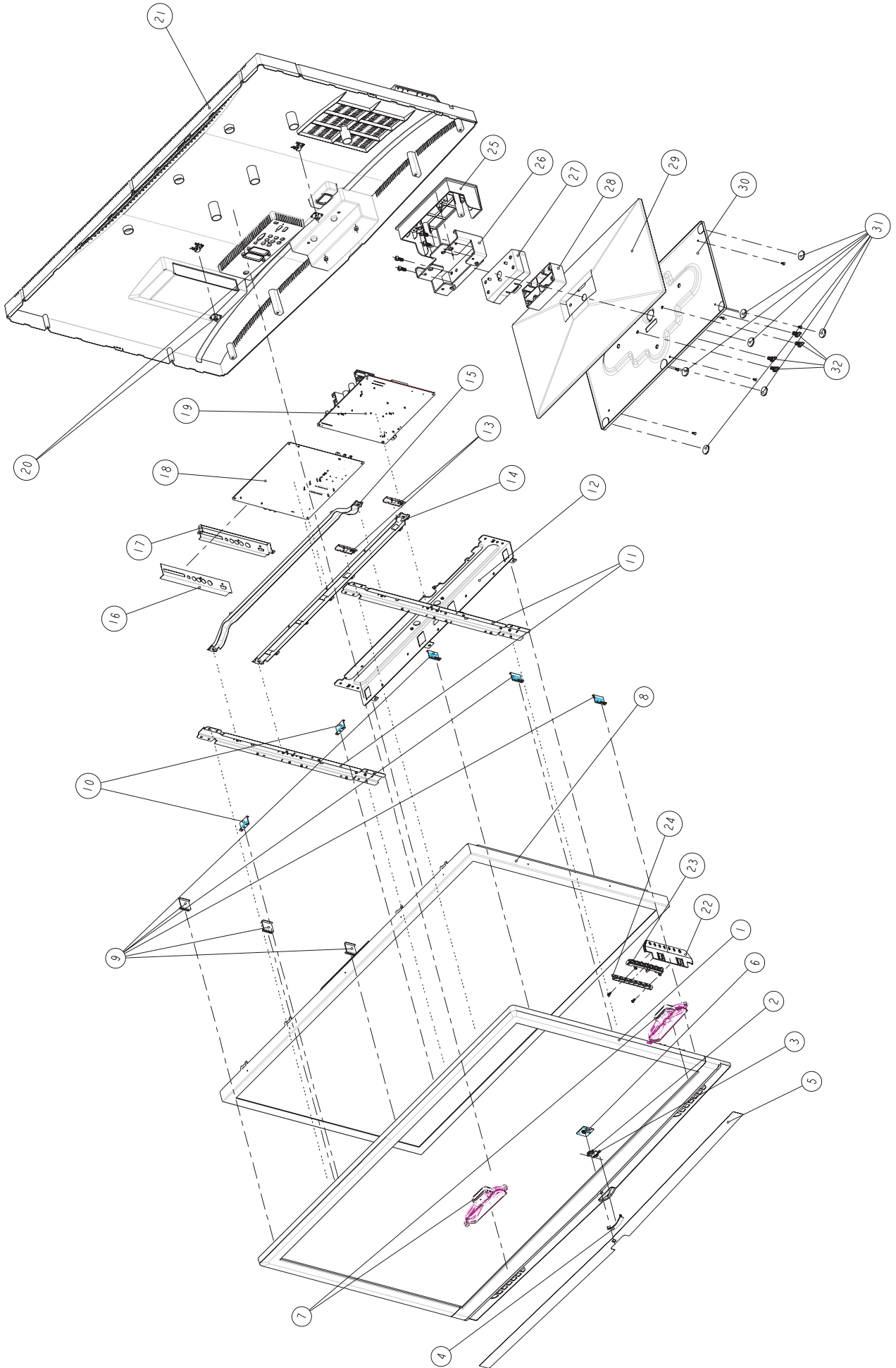
C936	065T080510432K Y	CAP CHIP 0805 0.1UF K 50V X7R	9JR650000071
C937	065T080510432K Y	CAP CHIP 0805 0.1UF K 50V X7R	9JR650000071
C939	065T120622522K 3	CAP CHIP 2U2 25V X7R 1206 10%	9JR650000158
C940	065G080510232K Y	CAP CHIP 0805 1N 50V X7R +/-10%	9JR650000110
C941	063T210J2735CC	CAP MPPS 27NF 1000V 5%	9JR6300000007
C942	065T080547232K Y	CAP CHIP 0805 4700PF K 50V X7R	9JR650000152
C943	067G 515102 6C	EC 1000uF 35V GF 13x25mm	9JR6700000055
C944	067T 515471 6C	EC 470UF 35V GF 10*20mm	9JR6700000081
C945	065T080510432K Y	CAP CHIP 0805 0.1UF K 50V X7R	9JR6500000071
C946	067G215L4714CT	EC 470UF 25V GL 10*16mm	9JR6700000057
C947	067T 3152214CT	EC 220UF 25V GF 8*11.5mm	9JR6700000078
C948	065T080547332K Y	CAP CHIP 0805 47NF K 50V X7R	9JR650000153
C959	067T 3051007CT	EC 10UF/50V KM 5*11mm	9JR6700000005
C960	065T 1K4719AT	C CAP. 470PF 1KV RR	9JR650000115
C980	065T517K1522AT	C CAP. 1500PF 500V 10% B	9JR650000163
C981	067G 3053307CT	105°C RADIAL E-CAPACTOR 33uF 50V	9JR6700000054
C982	065T080510131J Y	CAP CHIP 0805 100PF J 50V NPO	9JR650000144
C983	065T080510432K Y	CAP CHIP 0805 0.1UF K 50V X7R	9JR6500000071
C984	064T 47J1031AT EU	F/C PPN 10N 100V 5%	9JR6400000002
C985	067G215D222 2C	EC 2200uF 10V GF222M010I200K040P 13*20mm	9JR6700000056
C986	067T 3054704CT	EC 47uF 25V KM 5x11mm	9JR6700000027
C987	065T080510432K Y	CAP CHIP 0805 0.1UF K 50V X7R	9JR6500000071
C989	065T080510432K Y	CAP CHIP 0805 0.1UF K 50V X7R	9JR6500000071
CN901	087T 501907 S	AC SOCKET V 3P ST-01DR-BBBS-3000	9JR8700000002
CN902	033T327812D	WAFER 12P PLUG	9JR3300000016
CN903	033T327813D	CONNECTOR	9JR3300000017
D902	093T 52 56	DIODE FMN-1106S 10A/600V TO-220	9JR9300000020
D903	093G 6432V	LL4148-GSO8	9JR9300000001
D914	095T 90 23	JUMP WIRE	9JR9500000037
D935	093T 60910	DIODE 40V/10A SBF1040CT ITO-220AB	9JR9300000023
D951	093G 64901 T	DIO SIG SM BAV103 (VISH) R	9JR9300000036
D952	093G 64901 T	DIO SIG SM BAV103 (VISH) R	9JR9300000036
D955	093T 60270	MBRF20100CT ITO-220AB	9JR9300000042
D956	093T 60910	DIODE 40V/10A SBF1040CT ITO-220AB	9JR9300000023
D980	093T110090052T	DIODE UG1007 1A 1000V DO-41	9JR9300000056
D981	093T 6432V	LL4148-GSO8 SMD BY VISHA	9JR9300000046
D982	093T 6490352T	DIODE RGP10D DO-41	9JR9300000028
F901	084T 41 7 C	FUSE 5A 250V,Time Lag Fuse	9JR8400000003
F903	084T 55 2	FUSE	9JR8400000004
FB904	071T 55909	FERRITE CORE 2.5*3*0.8 BF-L25030W-768	9JR7100000008
FB905	095T 90 23	JUMP WIRE	9JR9500000037
FB980	071T 55909	FERRITE CORE 2.5*3*0.8 BF-L25030W-768	9JR7100000008
IC901	056T 379901	IC SG6961	9JR5600000008
IC931	056T 581 7	IC TNY277PN DIP-8C	9JR5600000015
IC932	056T 139 3B	IC PC123Y82FZ0F	9JR5600000003
IC951	056T 665 10 1	IC RESONANT L6599DTR SO-16N ST	9JR5600000024
IC952	056T 139 3B	IC PC123Y82FZ0F	9JR5600000003
IC953	056T 158900	IC TL431CZ-AP TO92 ST	9JR5600000028
IC982	056T 158900	IC TL431CZ-AP TO92 ST	9JR5600000028
IC991	056T 139 3B	IC PC123Y82FZ0F	9JR5600000003
L901	073T 174106 L	LINE FILTER 13mH LF-1008108	9JR7300000028
L902	073T 174106 L	LINE FILTER 13mH LF-1008108	9JR7300000028
L903	071T 55910 H	FERRITE CORE H75 6*10 BF-I60100R-706	9JR7100000017
L904	071T 55910 H	FERRITE CORE H75 6*10 BF-I60100R-706	9JR7100000017
L905	071T 55910 H	FERRITE CORE H75 6*10 BF-I60100R-706	9JR7100000017
L906	073T 174929 L	PFC CHOKE 290uH 210mohm CC-010745	9JR7300000029
L907	073T 5433010T	PEAKING COIL 33U 10%	9JR7300000025
L931	073T 253 91 H	CHOKE COIL	9JR7300000012
L971	073T 253150 H	IND CHOKE 3.0uH+-10% DADON	9JR7300000030
L980	073T 253 91 H	CHOKE COIL	9JR7300000012
NR901	061T 58909 W	NTC 1R5/5A SCK101R55LGY	9JR610000185
Q901	057T 667 25	STW20NM60	9JR5700000032
Q931	057T 761900 T	TRA BC857C 100mA/50V SOT-23	9JR5700000035
Q945	057G 419904 T	TRA SIG BC337-40 (KEC0) A	9JR5700000023
Q951	057T 667 50	TRA STP10NK60ZFP 10A/600V TO-220FP	9JR5700000033
Q952	057T 667 50	TRA STP10NK60ZFP 10A/600V TO-220FP	9JR5700000033
Q988	057T 763904	FET 2N7002 PHILIPS	9JR5700000021

LC-26SB25E/S/RU, LC-32SB25E/S/RU, LC-42SB55E/S/RU

Q992	057T 763904	FET 2N7002 PHILIPS	9JR570000021
Q993	057T 763904	FET 2N7002 PHILIPS	9JR570000021
R901	061G1206154	RST CHIPR 150K OHM +-5% 1/4W	9JR6100000180
R902	061G1206154	RST CHIPR 150K OHM +-5% 1/4W	9JR6100000180
R903	061G1206154	RST CHIPR 150K OHM +-5% 1/4W	9JR6100000180
R905	061T0805473	RST CHIPR 47 KOHM +-5% 1/8W	9JR6100000151
R907	061T0805333	RST CHIPR 33 KOHM +-5% 1/8W	9JR6100000145
R908	061T0805333	RST CHIPR 33 KOHM +-5% 1/8W	9JR6100000145
R909	061G08056800FY	RST CHIP 680R 1/8W 1%	9JR6100000179
R910	061T12061004FY	RST CHIPR 1 MOHM +-1% 1/4W YAGEO	9JR6100000272
R911	061T12061004FY	RST CHIPR 1 MOHM +-1% 1/4W YAGEO	9JR6100000272
R912	061T12061004FY	RST CHIPR 1 MOHM +-1% 1/4W YAGEO	9JR6100000272
R913	061T0805180 2F	RST CHIPR 18 KOHM +-1% 1/8W	9JR6100000138
R915	061T152M12852T SY	RST MOF 0R12 5% 2W	9JR6100000277
R916	061T0805513	RST CHIPR 51 KOHM +-5% 1/8W	9JR6100000268
R917	061T0805221	RST CHIPR 220 OHM +-5% 1/8W	9JR6100000260
R918	061T0805100	RST CHIPR 10 OHM +-5% 1/8W	9JR6100000124
R919	061T0805470	RST CHIPR 47 OHM +-5% 1/8W	9JR6100000149
R931	061T0805304	RST CHIPR 300 KOHM +-5% 1/8W	9JR6100000262
R933	061T 17220552T TZ	RST CFR 2M 1/4W 5%	9JR6100000189
R934	061T1206205	RST CHIPR 2 MOHM +-5% 1/4W	9JR6100000274
R935	061T1206205	RST CHIPR 2 MOHM +-5% 1/4W	9JR6100000274
R936	061T0805100	RST CHIPR 10 OHM +-5% 1/8W	9JR6100000124
R937	061T0805100 Y	RST CHIPR 10 OHM +-5% 1/8W YAGEO	9JR6100000256
R945	061G0805103	RST CHIPR 10K OHM +-5% 1/8W	9JR6100000171
R950	061G0805104	RST CHIPR 100K OHM +-5% 1/8W	9JR6100000172
R953	061T1206205	RST CHIPR 2 MOHM +-5% 1/4W	9JR6100000274
R954	061T1206205	RST CHIPR 2 MOHM +-5% 1/4W	9JR6100000274
R955	061T 17220552T TZ	RST CFR 2M 1/4W 5%	9JR6100000189
R956	061T0805273	RST CHIPR 27 KOHM +-5% 1/8W	9JR6100000261
R957	061T0805103	RST CHIPR 10 KOHM +-5% 1/8W	9JR6100000127
R958	061T0805180 2F	RST CHIPR 18 KOHM +-1% 1/8W	9JR6100000138
R959	061G0805105	RST CHIPR 1M OHM +-5% 1/8W	9JR6100000173
R960	061T0805220	RST CHIPR 22 OHM +-5% 1/8W	9JR6100000139
R961	061T0805513	RST CHIPR 51 KOHM +-5% 1/8W	9JR6100000268
R962	061T0805220	RST CHIPR 22 OHM +-5% 1/8W	9JR6100000139
R963	061T0805513	RST CHIPR 51 KOHM +-5% 1/8W	9JR6100000268
R964	061T0805102	RST CHIPR 1KOHM +-5% 1/4W	9JR6100000257
R965	061T152M43852T	RST MOF 0R43 5% 2W	9JR6100000278
R966	061T08053901FY	RST CHIPR 3.9KOHM +-1% 1/8W YAGEO	9JR6100000265
R967	061T0805101	RST CHIPR 100 OHM +-5% 1/8W	9JR6100000126
R968	061T0805103	RST CHIPR 10 KOHM +-5% 1/8W	9JR6100000127
R969	061T0805332 Y	RST CHIPR 3.3KOHM +-5% 1/8W YAGEO	9JR6100000263
R971	095T 90 23	JUMP WIRE	9JR9500000037
R972	061T0805205 2F	RST CHIPR 20.5KOHM +-1% 1/8W	9JR6100000259
R973	061G0805196 1F	RST CHIP 1.96K 1/8W 1%	9JR6100000176
R974	061T1206512 Y	RST CHIPR 5.1KOHM +-5% 1/4W YAGEO	9JR6100000276
R977	061T203S24252T TZ	RST MFLM 2K4 0.6W 1%	9JR6100000279
R980	061T 60247252T TZ	RST CFR 4K7 1/6W 5%	9JR6100000036
R981	061T08054702FY	RST CHIPR 47KOHM +-1% 1/8W YAGEO	9JR6100000266
R982	061T0805470	RST CHIPR 47 OHM +-5% 1/8W	9JR6100000149
R983	061T0805221	RST CHIPR 220 OHM +-5% 1/8W	9JR6100000260
R984	061T0805123	RST CHIPR 12 KOHM +-5% 1/8W	9JR6100000258
R985	061T0805103	RST CHIPR 10 KOHM +-5% 1/8W	9JR6100000127
R986	061T0805101	RST CHIPR 100 OHM +-5% 1/8W	9JR6100000126
R987	061G 60210152T TZ	RST CFR 100R 1/6W 5%	9JR6100000169
R988	061G0805394	RST CHIPR 390 KOHM +-5% 1/8W	9JR6100000178
R990	061T0805000	RST CHIP MAX 0R05 1/8W	9JR6100000254
R991	061G08051102FY	RST CHIP 11K 1/8W 1%	9JR6100000174
R992	061G0805180 2F	RST CHIPR 18 KOHM +-1% 1/8W	9JR6100000175
R993	061G08052202FY	RST CHIPR 22KOHM +-1% 1/8W YAGEO	9JR6100000177
R994	061G0805104	RST CHIPR 100K OHM +-5% 1/8W	9JR6100000172
R995	061T0805332 Y	RST CHIPR 3.3KOHM +-5% 1/8W YAGEO	9JR6100000263
R996	061T0805100	RST CHIPR 10 OHM +-5% 1/8W	9JR6100000124
R997	061T0805102	RST CHIPR 1KOHM +-5% 1/4W	9JR6100000257
R998	061T0805000	RST CHIP MAX 0R05 1/8W	9JR6100000254
RV901	061T 46906 W	VARISTOR 560V TVR14561KFC4FY	9JR6100000182

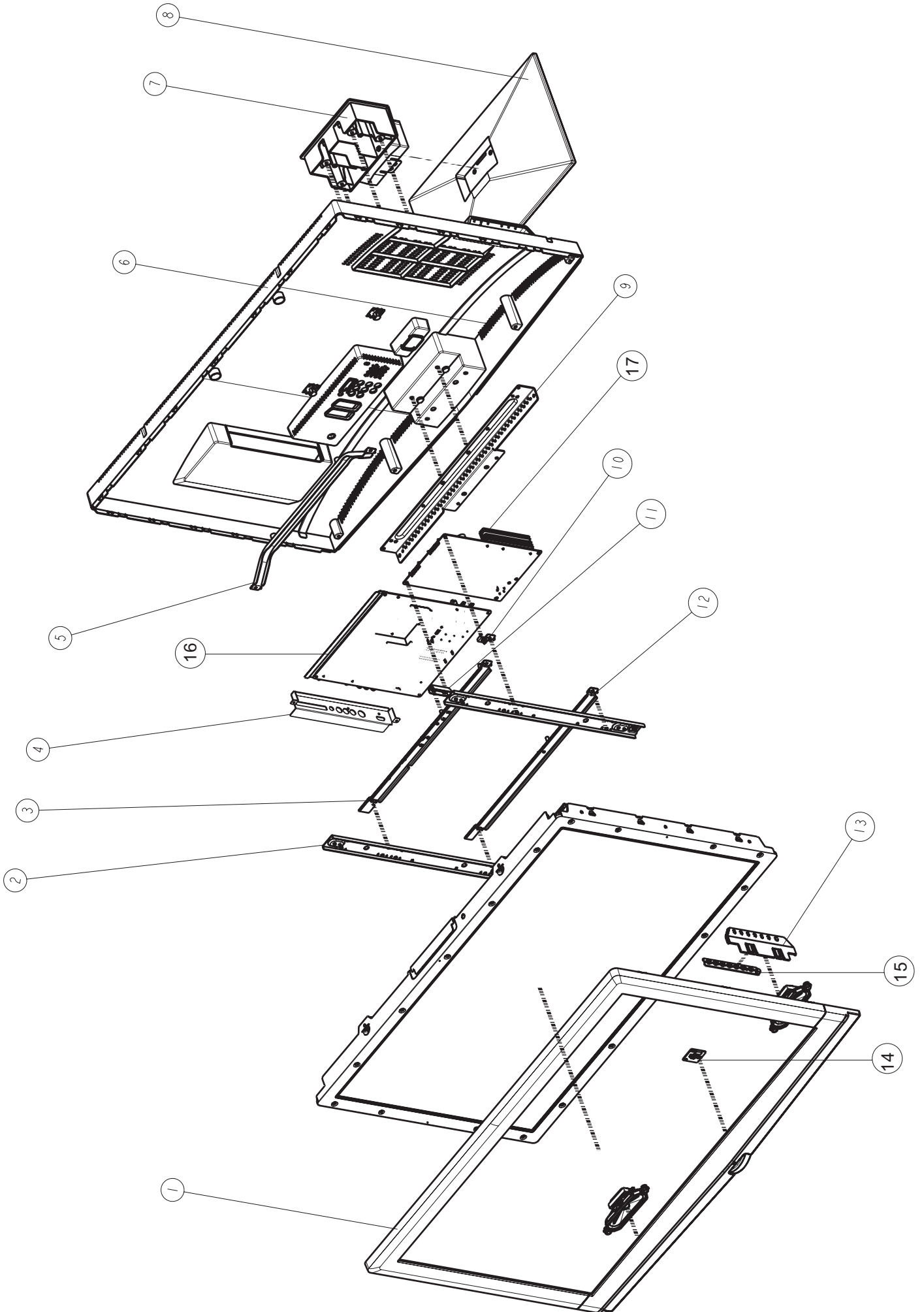
RV903	061T 46902	VARISTOR 510V TVR14511KFC4FY	9JR6100000181
SG901	062T 10 18 M	SPARK GAP 200V DSP201M-A21F	9JR6200000003
SG902	062T 10 18 M	SPARK GAP 200V DSP201M-A21F	9JR6200000003
SG903	062T 10 18 M	SPARK GAP 200V DSP201M-A21F	9JR6200000003
SG904	062T 10 18 M	SPARK GAP 200V DSP201M-A21F	9JR6200000003
T901	080TL42T916 L	XFMR 950uH PT-009601-3	9JR8000000003
T902	080TL32T 7 L	X'FMR 600uH PT-009716	9JR8000000007
ZD931	093T 39GA26 T	ZENER DIODE RLZ5.1B SEMTECH	9JR9300000051
ZD935	093T 39GA03 T	RLZ15B	9JR9300000050
ZD937	093T 39GA03 T	RLZ15B	9JR9300000050
ZD965	093G 39S 42 T	RLZ27B LLDS	9JR9300000037
ZD966	093T 39GA03 T	RLZ15B	9JR9300000050
ZD980	093G 3919352T	TVS P6KE160A DO-15	9JR9300000033
IR PCB 1056 IRPF8PB7 IR PCB ASSY			
C001	065T0603105A7Z Y	CAP CHIP 0603 1U 10V Y5V -20%+80%	9JR6500000046
C002	065T060310337Z Y	CAP CHIP 0603 10N 50V Y5V -20%+80%	9JR6500000033
C004	065T060310437Z Y	CAP CHIP 0603 0.1UF Z 50V Y5V	9JR6500000038
CN001	033T8032 5R H X	CON H 5P M 1.25 S1315-05RVA-1C	9JR3300000030
LED001	081T 14908 KB	LED SM KPB-3025SURKCGKC	9JR8100000001
Q001	057T 477900 T	TRA BC847C 100mA/50V SOT-23	9JR5700000010
Q002	057T 477900 T	TRA BC847C 100mA/50V SOT-23	9JR5700000010
R001	061T0603511 Y	RST CHIPR 510 OHM +-5% 1/10W YAGEO	9JR6100000249
R002	061T0603471 Y	RST CHIPR 470 OHM +-5% 1/10W YAGEO	9JR6100000111
R004	061T0603222 Y	RST CHIPR 2.2KOHM +-5% 1/10W YAGEO	9JR6100000091
R006	061T0603222 Y	RST CHIPR 2.2KOHM +-5% 1/10W YAGEO	9JR6100000091
R007	061T0603272 Y	RST CHIPR 2.7KOHM +-5% 1/10W YAGEO	9JR6100000098
R008	061T0603101 Y	RST CHIPR 100 OHM +-5% 1/10W YAGEO	9JR6100000066
U001	056T 627902	IC TSOP34438ST1	9JR5600000021
Key PCB 1057 KEPF8PB2 KEY BOARD			
0001	715T2950 1	KEY PCB	9JR7150000001
C023	065T060310437Z Y	CAP CHIP 0603 0.1UF Z 50V Y5V	9JR6500000038
C024	065T060310437Z Y	CAP CHIP 0603 0.1UF Z 50V Y5V	9JR6500000038
CN016	033T3802 4 H X	WAFER 4P RIGHT ANGLE PITCH 2.0	9JR3300000019
R016	061T0603113 Y	RST CHIPR 11KOHM +-5% 1/10W YAGEO	9JR6100000218
R017	061T0603432 Y	RST CHIPR 4.3KOHM +-5% 1/10W YAGEO	9JR6100000105
R018	061T0603182 Y	RST CHIPR 1.8KOHM +-5% 1/10W YAGEO	9JR6100000082
R019	061T0603471 Y	RST CHIPR 470 OHM +-5% 1/10W YAGEO	9JR6100000111
R020	061T0603113 Y	RST CHIPR 11KOHM +-5% 1/10W YAGEO	9JR6100000218
R021	061T0603432 Y	RST CHIPR 4.3KOHM +-5% 1/10W YAGEO	9JR6100000105
R022	061T0603182 Y	RST CHIPR 1.8KOHM +-5% 1/10W YAGEO	9JR6100000082
SW016	077T 600 1GCJ	TACT SWITCH TSPB-2 -NP	9JR7700000001
SW017	077T 600 1GCJ	TACT SWITCH TSPB-2 -NP	9JR7700000001
SW018	077T 600 1GCJ	TACT SWITCH TSPB-2 -NP	9JR7700000001
SW019	077T 600 1GCJ	TACT SWITCH TSPB-2 -NP	9JR7700000001
SW020	077T 600 1GCJ	TACT SWITCH TSPB-2 -NP	9JR7700000001
SW021	077T 600 1GCJ	TACT SWITCH TSPB-2 -NP	9JR7700000001
SW022	077T 600 1GCJ	TACT SWITCH TSPB-2 -NP	9JR7700000001

[2] CABINET PARTS(LC-42SB55E)



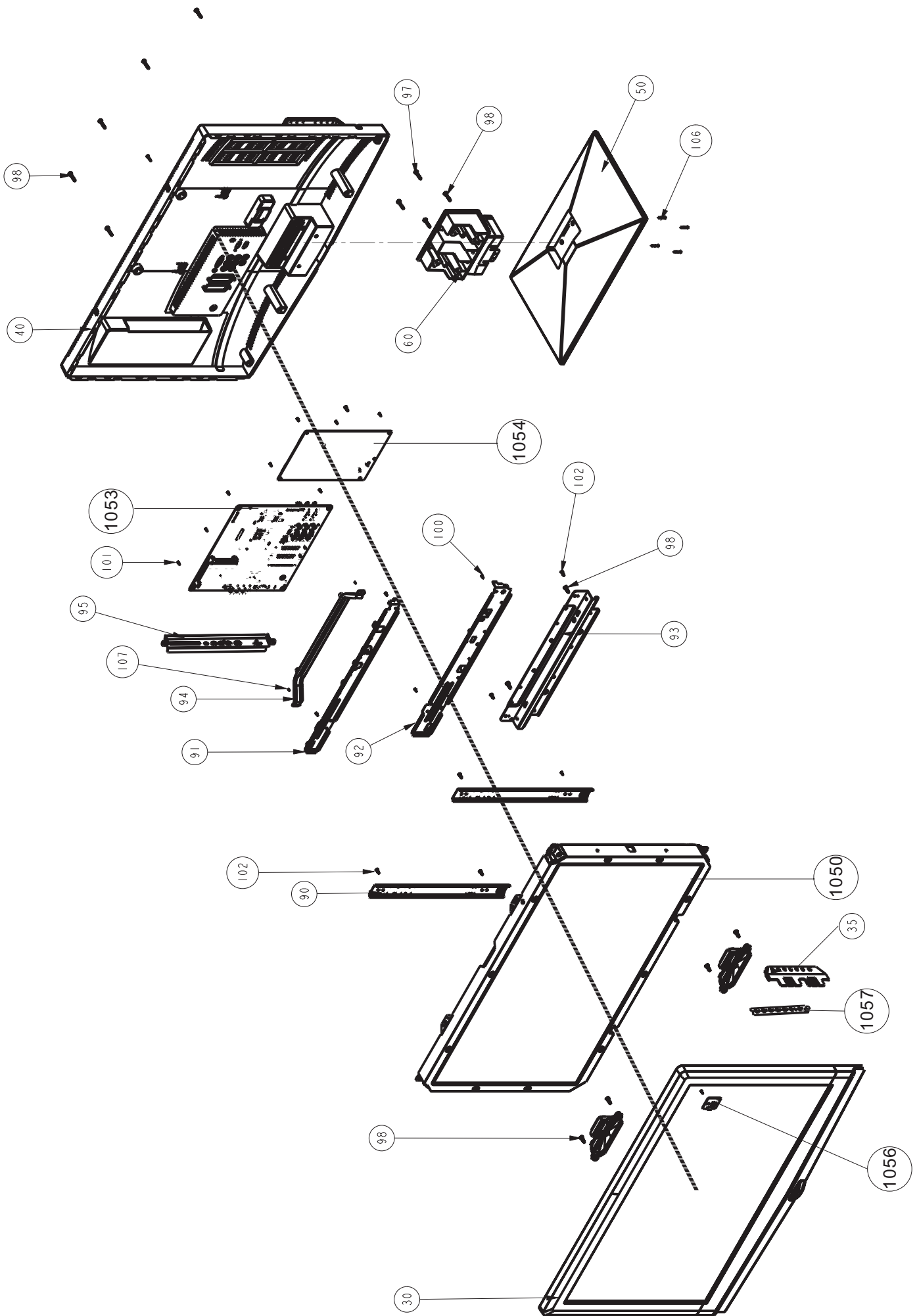
NO.	PARTS CODE	DESCRIPTION
[2] CABINET PARTS(LC-42SB55E)		
1,2,3,4,5	705TP834027	BEZEL ASSY
6	IRPF8PB7	IR PCB ASSY
7	078T 499902 1M	SPEAKER 6OHM 10W 156mmx30mm
8	750TVMT0H1743N000P	PANEL V420H1-L07 C3 NH CMO
9	A15T0321101	Fix Bracket for CMO L07 Side
10	A15T0320101	Fix Bracket for CMO L07
11	A15T0297101	Panel Bracket CMO
12	P15T0393201	BRACKET_STAND
13	A15T0300101	bkt-power-euo
14	A15T0299301	POWER BRACKET-EU
15	A15T0302101	VESA Bracket
16	P40TN00084342B	LABEL_SIDE_IO
17	P15T0328101	BKT-IO-EUO
18	CBPF82MBPL	Main Pcb Assy SHARP 42"-CMO
19	ADTV82428PA3	POWER PCB ASSY
20	A15T0282101	bkt-vesa-btm
21,22,23	705TP834028	REAR COVER ASSY
24	KEPF8PB2	KEY BOARD
25,26,27,28,	705TP837011	BASE STAND ASSY
29,30,31,32	705TP837010	BASE ASSY

CABINET PARTS(LC-32SB25E)



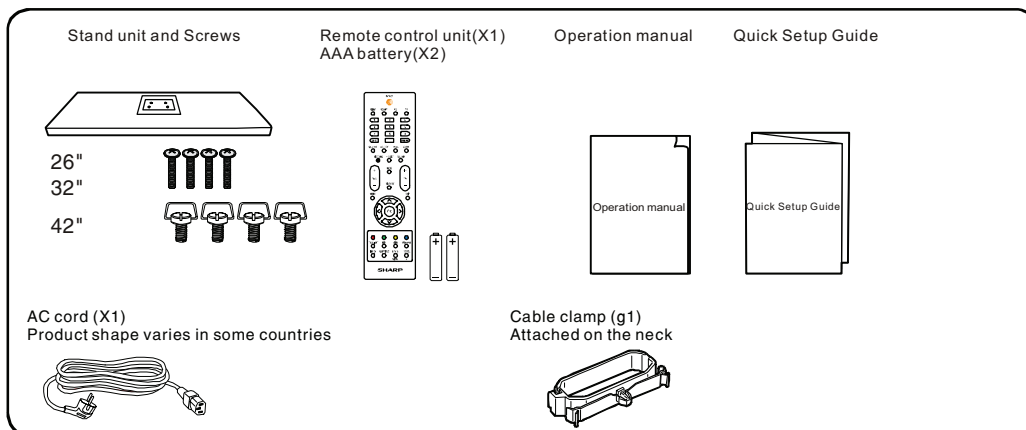
NO.	PARTS CODE	DESCRIPTION
CABINET PARTS(LC-32SB25E)		
1	705TP834025	BEZEL ASSY
2	A15T0280102	bkt-panel-support
3	A15T0278401	bkt-pcb-holder-top
4	P15T0328101	BKT-IO-EUO
5	A15T0281102	bkt-vesa-top
6	705TP834026	REAR COVER ASSY
7	705TP837009	BASE STAND ASSY
8	705TP837008	BASE ASSY
9	P15T0413101	BRACKET_STAND_SUPPORT
10	P15T0426101	BRACKET_HOLD_RIGHT
11	A15T0285201	bkt-pwrpcb-holder-t
12	P15T0425101	BRACKET_HOLD_BOTTOM
13	705TP833007	KEY PAD ASSY
14	IRPF8PB7	IR PCB ASSY
15	KEPF8PB2	KEY BOARD
16	CBPF82MBPN	Main Pcb Assy SHARP 32"CMO
17	ADTV82420PA3	POWER PCB ASSY

CABINET PARTS(LC-26SB25E)

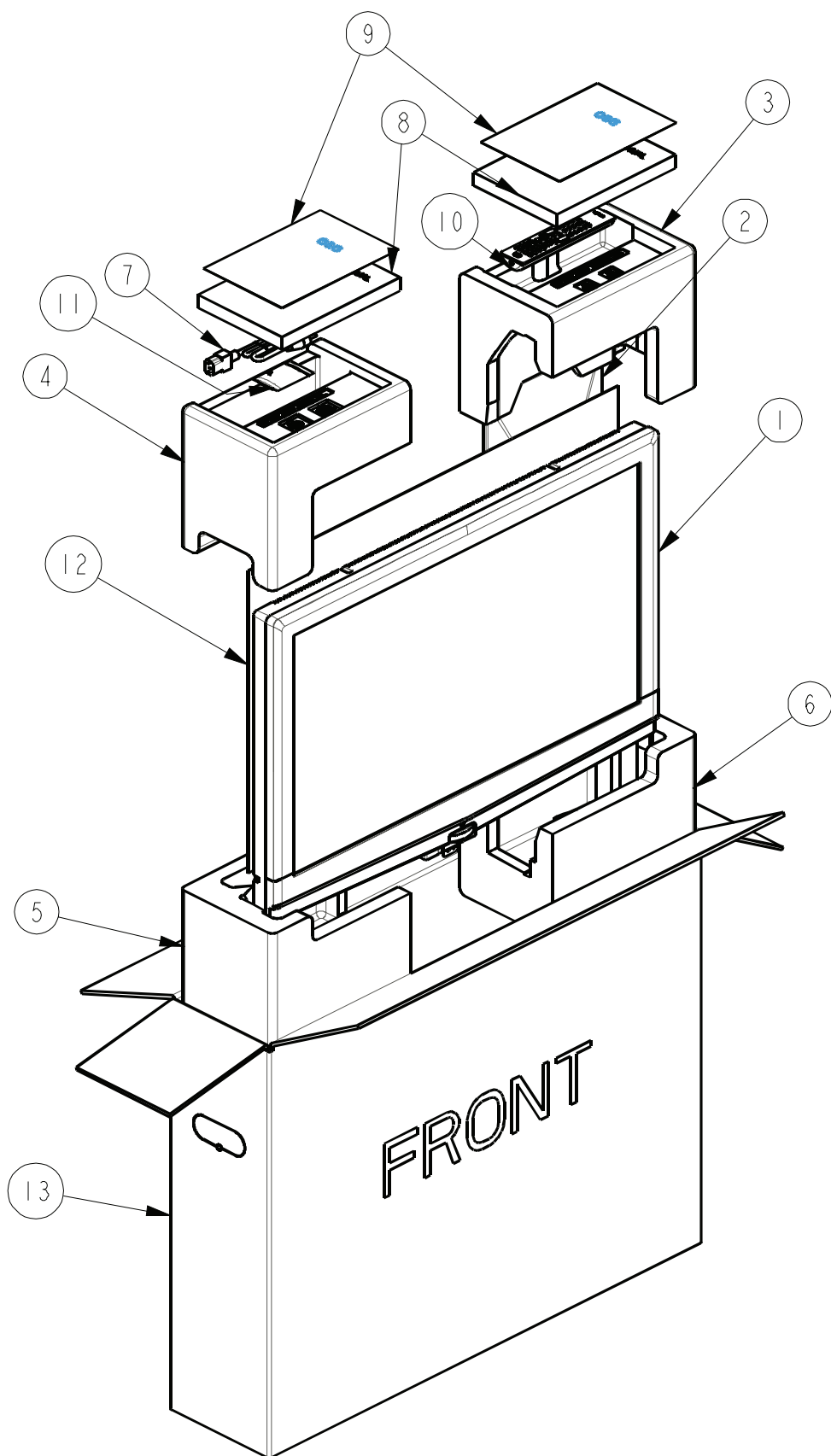


NO.	PARTS CODE	DESCRIPTION
CABINET PARTS(LC-26SB25E)		
30	705TP834023	BEZEL ASSY
35	705TP833007	KEY PAD ASSY
40	705TP834024	REAR COVER ASSY
50	705TP837008	BASE ASSY
60	705TP837012	BASE STAND ASSY
90	P15T0424101	BRACKET_SUPPORT
91	P15T0422101	BRACKET_HOLD_TOP
92	P15T0421101	BRACKET_HOLD_BOTTOM
93	P15T0420101	BRACKET_BASE
94	P15T0423101	BRACKET_VESA
95	P15T0328101	BKT-IO-EUO
97	0M1T 940 16 47 CR3	SCREW M4X6
98	0Q1T 940 16 47 CR3	SCREW
98	A15T0285201	bkt-pwrpcb-holder-t
98	0Q1T 940 16 47 CR3	SCREW
100	0M1T1430 5120	SCREW TAPPING M3X5
101	0M1T1730 8 47 CR3	SCREW
102	0M1T1140 6120	SCREW 4*6MM
102	0M1T1140 6120	SCREW 4*6MM
106	0Q1T1830 12 47 CR3	SCREW_THW K30x12 PT W=8.5
107	0M1T 330 4120	SCREW
1050	750TVM260B1113N000	PANEL V260B1-L11 NH CMO
1053	CBPF82MBPM	Main Pcb Assy SHARP 26"-CMO
1054	ADTV82420PA3	POWER PCB ASSY
1056	IRPF8PB7	IR PCB ASSY
1057	KEPF8PB2	KEY BOARD

[3] SUPPLIED ACCESSORIES



[4] PACKING PARTS



NO.	PARTS CODE	DESCRIPTION
[2] PACKING PARTS (LC-42SB55E)		
1		SET BODY
2	705TP837010	BASE ASSY
3,4,5,6	705TZ8CS006	CUSHION assy
7	089T404A18NHT2	POWER CORD 1.8M 4L4L-040-00K
8	705TZ841028	DFU ASSY
9	P41TN025843 1C	QSG-1 (Western & North Europe)
9	P41TN026843 1B	QSG-2 (Eastern Europe & Russia)
10	098TRABD5NESHCH	REMOTE CONTROL RL57S
11	0M1T6022500	SCREW
12	P45T 46023	PE BAG(1200X1000x0.72mm)
13	P44TN015843 1A	CARTON

NO.	PARTS CODE	DESCRIPTION
[2] PACKING PARTS (LC-32SB25E)		
1		SET BODY
2	705TP837008	BASE ASSY
3,4,5,6	705TZ8CS008	Cushion Assy
7	089T404A18NHT2	POWER CORD 1.8M 4L4L-040-00K
8	705TZ841028	DFU ASSY
9	P41TN025843 1C	QSG-1 (Western & North Europe)
9	P41TN026843 1B	QSG-2 (Eastern Europe & Russia)
10	098TRABD5NESHCH	REMOTE CONTROL RL57S
11	0Q1T1830 12 47 CR3	SCREW_THW K30x12 PT W=8.5
12	P45T 46024	PE BAG(950X735x0.72mm)
13	P44TJ017843 1A	CARTON

NO.	PARTS CODE	DESCRIPTION
[2] PACKING PARTS (LC-26SB25E)		
1		SET BODY
2	705TP837008	BASE ASSY
3,4,5,6	705TZ8CS007	CUSHION ASSY
7	089T404A18NHT2	POWER CORD 1.8M 4L4L-040-00K
8	705TZ841028	DFU ASSY
9	P41TN025843 1C	QSG-1 (Western & North Europe)
9	P41TN026843 1B	QSG-2 (Eastern Europe & Russia)
10	098TRABD5NESHCH	REMOTE CONTROL RL57S
11	0Q1T1830 12 47 CR3	SCREW_THW K30x12 PT W=8.5
12	P45T 46025	PE BAG(800X650-0.72mm)
13	P44TE009843 1A	CARTON

SHARP

COPYRIGHT © 2008 BY SHARP CORPORATION

ALL RIGHTS RESERVED.

No Part of this publication may be reproduced, stored in a retrieval system, or transmitted in any form or by any means, electronic, mechanical, photocopying, recording, or otherwise, without prior written permission of the publisher.

SHARP CORPORATION
SHARP ELECTRONICS(Europe) GmbH
Sonnistraße 3, D-20097 Hamburg