

Product Survey

REMARKS:

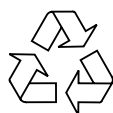
Each year 4 Product Surveys are published. From Product Survey 2002-1 onwards the contents of the second, the third and the fourth issue is an updating of the previous one; so e.g. Product Survey 2002-2 replaces 2002-1, Product Survey 2002-3 replaces Product Survey's 2002-1 and 2002-2 and the yearbook Product Survey 2002-4 replaces the Product Survey's 2002-1, 2002-2 and 2002-3.

CONTENTS	PAGE
Publication survey	PS02-4 2
Remote control survey	PS02-4 6
Tuner survey	PS02-4 6
CRT survey	PS02-4 6
Software survey	PS02-4 8
Model number survey	PS02-4 25
Stylings with parts list	PS02-4 30

Copyright 2001 Philips Consumer Electronics Eindhoven, The Netherlands. All rights reserved. No part of this publication may be reproduced, stored in a retrieval system or transmitted, in any form or by any means, electronic, mechanical, photocopying, or otherwise without the prior permission of Philips.

Safety regulations require that the set be restored to its original condition and that parts which are identical with those specified be used.

Les normes de sécurité exigent que l'appareil soit remis à l'état d'origine et que soient utilisées les pièces de rechange identiques à celles spécifiées.



Publication survey

SERVICE MANUAL	LANGUAGE	CODE NUMBER
SM A10A	GB	3122 785 10581
SM A10A AA Supplement (DVD)	GB	3122 785 10990

SERVICE INFORMATION	LANGUAGE	CODE NUMBER
SI A10A AA 00.01	GB	3122 785 40250

SERVICE MANUAL	LANGUAGE	CODE NUMBER
SM A10E AA	GB	3122 785 10430
SM A10E AA	NL	3122 785 10440
SM A10E AA	D	3122 785 10450
SM A10E AA	F	3122 785 10460
SM A10E AA	I	3122 785 10470
SM A10E AA	E	3122 785 10480

SERVICE MANUAL	LANGUAGE	CODE NUMBER
SM A10E AA Supplement (DVD)	GB	3122 785 11030
SM A10E AA Supplement (DVD)	D	3122 785 11040
SM A10E AA Supplement (DVD)	F	3122 785 11050
SM A10E AA Supplement (DVD)	I	3122 785 11060
SM A10E AA Supplement (DVD)	E	3122 785 11070

SERVICE MANUAL	LANGUAGE	CODE NUMBER
SM A10E DPL Supplement	GB	3122 785 10980

SERVICE INFORMATION	LANGUAGE	CODE NUMBER
SI A10E AA 01.01	GB	3122 785 40260
SI A10E AA 01.01	D	3122 785 40340
SI A10E AA 01.01	F	3122 785 40350
SI A10E AA 01.01	I	3122 785 40360
SI A10E AA 01.01	E	3122 785 40370
SI A10E AA 02.01	GB	3122 785 40650

SERVICE INFORMATION	LANGUAGE	CODE NUMBER
SI A10E DVD-DPL AA 01.01	All	3122 785 40390

SERVICE MANUAL	LANGUAGE	CODE NUMBER
SM A10L AA Supplement (DVD)	GB	3122 785 11520

SERVICE MANUAL	LANGUAGE	CODE NUMBER
SM A10PTV2.0 AA PAL (AP version)	GB	3122 785 10970
SM A10PTV2.0 AA NTSC (AP version)	GB	3122 785 11240

SERVICE MANUAL	LANGUAGE	CODE NUMBER
SM A10PTV2.0 AA (China version)	GB	3122 785 11000

SERVICE MANUAL	LANGUAGE	CODE NUMBER
SM A10PTV2.0 AA NTSC (APversion)	GB	3122 785 11240

SERVICE INFORMATION	LANGUAGE	CODE NUMBER
SI A10PTV2.0 PAL AA 01.01	GB	3122 785 40380

SERVICE MANUAL	LANGUAGE	CODE NUMBER
SM EM1A AA	GB	3122 785 10850
SM EM1A AA NTSC (Taiwan, Korea)	GB	3122 785 11490

SERVICE INFORMATION	LANGUAGE	CODE NUMBER
SI EM1A AA 01.01	GB	3122 785 40330
SI EM1A AA 01.02	GB	3122 785 40400
SI EM1A AA 02.01	GB	3122 785 40610
SI EM1A AA 02.02	GB	3122 785 40630

SERVICE MANUAL	LANGUAGE	CODE NUMBER
SM EM2E AA	GB	3122 785 10310
SM EM2E AA	NL	3122 785 10320
SM EM2E AA	D	3122 785 10330
SM EM2E AA	F	3122 785 10340
SM EM2E AA	I	3122 785 10350
SM EM2E AA	E	3122 785 10360

SERVICE INFORMATION	LANGUAGE	CODE NUMBER
SI EM2E AA 00.01	All	3122 785 40190
SI EM2E AA 00.02	All	3122 785 40290
SI EM2E AA 01.01	All	3122 785 40310
SI EM2E AA 02.01	All	3122 785 40590
SI EM2E/EM3E AA 02.01	All	3122 785 40600

SERVICE MANUAL	LANGUAGE	CODE NUMBER
SM EM1L AA	E	3122 785 11470
SM EM1L AA	Br/Por	3122 785 11480

SERVICE MANUAL	LANGUAGE	CODE NUMBER
SM N8	GB	3122 785 11461

SERVICE MANUAL	LANGUAGE	CODE NUMBER
SM EM3E AA	GB	3122 785 11360
SM EM3E AA	D	3122 785 11370
SM EM3E AA	F	3122 785 11380
SM EM3E AA	I	3122 785 11390
SM EM3E AA	E	3122 785 11400

SERVICE INFORMATION	LANGUAGE	CODE NUMBER
SI EM2E/EM3E AA 02.01	All	3122 785 40600

SERVICE MANUAL	LANGUAGE	CODE NUMBER
SM EM5A NTSC AA	GB	3122 785 12620

SERVICE MANUAL	LANGUAGE	CODE NUMBER
SM EM5A P/M AA	GB	3122 785 12611

SERVICE MANUAL	LANGUAGE	CODE NUMBER
SM EM5E AA	GB	3122 785 12560
SM EM5E AA	D	3122 785 12570
SM EM5E AA	F	3122 785 12580

SERVICE MANUAL	LANGUAGE	CODE NUMBER
SM R8 AA (EM5U)	GB	3122 785 12600

SERVICE MANUAL	LANGUAGE	CODE NUMBER
SM P8 AA (EM5U)	GB	3122 785 12680

SERVICE MANUAL	LANGUAGE	CODE NUMBER
SM EM5E-DVD AA Supplement	GB	3122 785 12890
SM EM5E-DVD AA Supplement	D	3122 785 12900
SM EM5E-DVD AA Supplement	F	3122 785 12910

SERVICE MANUAL	LANGUAGE	CODE NUMBER
SM Receiver-box FTV1.9E AA	GB	3122 785 10160
SM Display-box FTV1.9E AA	GB	3122 785 10170
SM Receiver-box FTV1.9E AA	D	3122 785 10028
SM Display-box FTV1.9E AA	D	3122 785 10029
SM Receiver-box FTV1.9E AA	F	3122 785 10030
SM Display-box FTV1.9E AA	F	3122 785 10031

SERVICE INFORMATION	LANGUAGE	CODE NUMBER
SI Display-box FTV1.9 AA 00.02	GB	3122 785 40170
SI FTV1.9DE AA 00.01	GB	3122 785 40210
SI FTV1.9DE AA 00.02	GB	3122 785 40170
SI FTV1.9EA AA 00.01	GB	3122 785 40200
SI PD4200 N1M (monitor)	GB	3122 785 40150
SI TR4200 N1B/T1B (E-box)	GB	3122 785 40160
SI FTV1.9EE AA 00.01	GB	3122 785 40220
SI FTV1.9E AA 01.01(42PH9932/01S)	All	3122 785 40440

SERVICE MANUAL	LANGUAGE	CODE NUMBER
SM F21RE AA	GB	3122 785 11410
SM F21RE AA	D	3122 785 11420
SM F21RE AA	F	3122 785 11430
SM F21RE AA	I	3122 785 11440
SM F21RE AA	E	3122 785 11450

SERVICE MANUAL	LANGUAGE	CODE NUMBER
SM F21RU AA	GB	3122 785 12630

SERVICE MANUAL	LANGUAGE	CODE NUMBER
SM FM23 AA	GB	3122 785 11300
SM FM23 AA	D	3122 785 11310
SM FM23 AA	F	3122 785 11320
SM FM23 AA	I	3122 785 11330
SM FM23 AA	E	3122 785 11340
SM FM23 AA	Br/Por	3122 785 11350

SERVICE MANUAL	LANGUAGE	CODE NUMBER
SM FM23 AB	GB	3122 785 12790

SERVICE MANUAL	LANGUAGE	CODE NUMBER
SM FM24 AA	GB	3122 785 12770
SM FM24 AA	I	3122 785 12780

SERVICE INFORMATION	LANGUAGE	CODE NUMBER
SM FM24 02.01 AA	GB	3122 785 40680

SERVICE MANUAL	LANGUAGE	CODE NUMBER
SM L01.1A AA (Large Screen)	GB	3122 785 11121

SERVICE MANUAL	LANGUAGE	CODE NUMBER
SM L01.1A AB (Large Screen)	GB	3122 785 12730

SERVICE MANUAL	LANGUAGE	CODE NUMBER
SM L01.1E AA (Large Screen)	GB	3122 785 11111
SM L01.1E AA (Large Screen)	D	3122 785 11700
SM L01.1E AA (Large Screen)	F	3122 785 11710
SM L01.1E AA (Large Screen)	I	3122 785 11720
SM L01.1E AA (Large Screen)	E	3122 785 11730

SERVICE MANUAL	LANGUAGE	CODE NUMBER
SM L01.1E AB (Large Screen)	GB	3122 785 12860
SM L01.1E AB (Large Screen)	D	3122 785 12870
SM L01.1E AB (Large Screen)	F	3122 785 12880

SERVICE MANUAL	LANGUAGE	CODE NUMBER
SM L01.1E AB (DVD supplement)	GB	3122 785 12830

SERVICE MANUAL	LANGUAGE	CODE NUMBER
SM L01.1L AA (Large Screen)	GB	3122 785 11140
SM L01.1L AA (Large Screen)	E	3122 785 11791
SM L01.1L AA (Large Screen)	Br/Por	3122 785 11811

SERVICE MANUAL	LANGUAGE	CODE NUMBER
SM L01.1L AB (Large Screen)	GB	3122 785 12690
SM L01.1L AB (Large Screen)	E	3122 785 12700
SM L01.1L AB (Large Screen)	Br/Por	3122 785 12720

SERVICE MANUAL	LANGUAGE	CODE NUMBER
SM L01.1U AA (Large Screen, USA: M8)	GB	3122 785 11170

SERVICE MANUAL	LANGUAGE	CODE NUMBER
SM L01.1U AB (T8 AA)	GB	3122 785 12740

SERVICE MANUAL	LANGUAGE	CODE NUMBER
SM L01.2A AA (Small Screen)	GB	3162 785 11160

SERVICE MANUAL	LANGUAGE	CODE NUMBER
SM L01.2A AB (Large Screen)	GB	3122 785 12750

SERVICE MANUAL	LANGUAGE	CODE NUMBER
SM L01.2E AA (Small Screen)	GB	3122 785 11150
SM L01.2E AA (Small Screen)	D	3122 785 11740
SM L01.2E AA (Small Screen)	F	3122 785 11750
SM L01.2E AA (Small Screen)	I	3122 785 11760
SM L01.2E AA (Small Screen)	E	3122 785 11770

SERVICE INFORMATION	LANGUAGE	CODE NUMBER
SI L01.2E AA 02.01	All	3122 785 40620

SERVICE MANUAL	LANGUAGE	CODE NUMBER
SM L01.2L AA (Small Screen)	GB	3122 785 11180
SM L01.2L AA (Small Screen)	E	3122 785 11800
SM L01.2L AA (Small Screen)	Br/Por	3122 785 11820

SERVICE MANUAL	LANGUAGE	CODE NUMBER
SM L01.2L AB (Small Screen)	E	3122 785 12710
SM L01.2L AB (Small Screen)	Br/Por	3122 785 12720

SERVICE MANUAL	LANGUAGE	CODE NUMBER
SM L01.2U AA (Small Screen, USA: L8)	GB	3122 785 11130

SERVICE MANUAL	LANGUAGE	CODE NUMBER
SM L01.2U AB (S8 AA)	GB	3122 785 12760

SERVICE MANUAL	LANGUAGE	CODE NUMBER
SM L01H.1A AA	GB	3122 785 11650

SERVICE INFORMATION	LANGUAGE	CODE NUMBER
SI L01H.1A AA 01.01	GB	3122 785 40420

SERVICE MANUAL	LANGUAGE	CODE NUMBER
SM L01H.1E AA	GB	3122 785 11630
SM L01H.1E AA	D	3122 785 12110
SM L01H.1E AA	F	3122 785 12120
SM L01H.1E AA	I	3122 785 12130
SM L01H.1E AA	E	3122 785 12140

SERVICE INFORMATION	LANGUAGE	CODE NUMBER
SM L01H.1E AA 02.01	GB/D/F/I/E	3122 785 40690

SERVICE MANUAL	LANGUAGE	CODE NUMBER
SM L01H.2A AA	GB	3122 785 11660

SERVICE MANUAL	LANGUAGE	CODE NUMBER
SM L01H.2E AA	GB	3122 785 11640
SM L01H.2E AA	D	3122 785 12150
SM L01H.2E AA	F	3122 785 12160
SM L01H.2E AA	I	3122 785 12170
SM L01H.2E AA	E	3122 785 12180

SERVICE MANUAL	LANGUAGE	CODE NUMBER
SM L01H.1L/L01H.2L AA	GB	3122 785 11980
SM L01H.1L/L01H.2L AA	E	3122 785 11990
SM L01H.1L/L01H.2L AA	Br/Por	3122 785 12000

SERVICE MANUAL	LANGUAGE	CODE NUMBER
SM L6.1 AA	GB	4822 727 20901
SM L6.1 AA	NL	4822 727 20903
SM L6.1 AA	D	4822 727 20902
SM L6.1 AA	F	4822 727 20904
SM L6.1 AA	I	4822 727 20905
SM L6.1 AA	E	4822 727 20906

SERVICE INFORMATION	LANGUAGE	CODE NUMBER
SI L6.1 AA 97.02 (3W mono audio ampl.)	GB/NL/D/F/I/E	4822 727 21536

SERVICE MANUAL	LANGUAGE	CODE NUMBER
SM L7.1A AA	GB	4822 727 21497

SERVICE MANUAL	LANGUAGE	CODE NUMBER
SM L9.1A AA	GB	4822 727 21704

SERVICE INFORMATION	LANGUAGE	CODE NUMBER
SI L9.1A AA 00.01	GB	3122 785 40140
SI L9.1A AA 00.02	GB	3122 785 40240

SERVICE MANUAL	LANGUAGE	CODE NUMBER
SM L9.1E AA	GB	4822 727 21677
SM L9.1E AA	NL	4822 727 21678
SM L9.1E AA	D	4822 727 21679
SM L9.1E AA	F	4822 727 21681
SM L9.1E AA	I	4822 727 21682
SM L9.1E AA	E	4822 727 21683

SERVICE MANUAL	LANGUAGE	CODE NUMBER
SM L9.1E AB	GB	3122 785 10720
SM L9.1E AB	NL	3122 785 10730
SM L9.1E AB	D	3122 785 10740
SM L9.1E AB	F	3122 785 10750
SM L9.1E AB	I	3122 785 10760
SM L9.1E AB	E	3122 785 10770

SERVICE INFORMATION	LANGUAGE	CODE NUMBER
SI L9.1E AA 00.01	All	3122 785 40130

SERVICE MANUAL	LANGUAGE	CODE NUMBER
SM L9.2A AA	GB	4822 727 21705

SERVICE MANUAL	LANGUAGE	CODE NUMBER
SM L9.2E AA	GB	4822 727 21684
SM L9.2E AA	NL	4822 727 21685
SM L9.2E AA	D	4822 727 21686
SM L9.2E AA	F	4822 727 21687
SM L9.2E AA	I	4822 727 21688
SM L9.2E AA	E	4822 727 21689

SERVICE INFORMATION	LANGUAGE	CODE NUMBER
SI L9.2E AA 00-01		3122 785 40100

SERVICE MANUAL	LANGUAGE	CODE NUMBER
SM L9.3A AA	GB	3122 785 10061

SERVICE MANUAL	LANGUAGE	CODE NUMBER
SM L9.3E AA	GB	3122 785 10370
SM L9.3E AA	NL	3122 785 10380
SM L9.3E AA	D	3122 785 10390
SM L9.3E AA	F	3122 785 10400
SM L9.3E AA	I	3122 785 10410
SM L9.3E AA	E	3122 785 10420

SERVICE MANUAL	LANGUAGE	CODE NUMBER
SM L9H.1A AA	GB	3122 785 10062

SERVICE MANUAL	LANGUAGE	CODE NUMBER
SM L9H.1E AA	GB	3122 785 10064
SM L9H.1E AA	D	3122 785 10190
SM L9H.1E AA	F	3122 785 10200
SM L9H.1E AA	I	3122 785 10210
SM L9H.1E AA	E	3122 785 10220

SERVICE INFORMATION	LANGUAGE	CODE NUMBER
SI L9H.1E AA 01.01	GB,D, F, I, E	3122 785 40470

SERVICE MANUAL	LANGUAGE	CODE NUMBER
SM L9H.2A AA	GB	3122 785 10063

SERVICE MANUAL	LANGUAGE	CODE NUMBER
SM L9H.2E AA	GB	3122 785 10065
SM L9H.2E AA	D	3122 785 10240
SM L9H.2E AA	F	3122 785 10250
SM L9H.2E AA	I	3122 785 10260
SM L9H.2E AA	E	3122 785 10270

SERVICE INFORMATION	LANGUAGE	CODE NUMBER
SI L9H.2E AA 01.01	GB,D, F, I, E	3122 785 40480

SERVICE MANUAL	LANGUAGE	CODE NUMBER
SM L9H.2E AA Supplement on card	GB	3122 785 10600
SM L9H.2E AA Supplement on card	D	3122 785 10610
SM L9H.2E AA Supplement on card	F	3122 785 10620
SM L9H.2E AA Supplement on card	E	3122 785 10640

SERVICE MANUAL	LANGUAGE	CODE NUMBER
SM MD1.1A AA	GB	4822 727 21523
SM MD1.1A BA	GB	4822 727 21663

SERVICE MANUAL	LANGUAGE	CODE NUMBER
SM MD1.2E AA Digital TV	GB	4822 727 21645
SM MD1.2E AA Supplement	GB	4822 727 21498
SM MD1.2E AA Supplement	NL	4822 727 21499
SM MD1.2E AA Supplement	D	4822 727 21501
SM MD1.2E AA Supplement	F	4822 727 21502
SM MD1.2E AA Supplement	I	4822 727 21503
SM MD1.2E AA Supplement	E	4822 727 21504

SERVICE INFORMATION	LANGUAGE	CODE NUMBER
SI MD2.1XE AA 98.01	GB	4822 727 21576
SI MD2.1XE AA 98.01	NL	4822 727 21577
SI MD2.1XE AA 98.01	D	4822 727 21578
SI MD2.1XE AA 98.01	F	4822 727 21579
SI MD2.1XE AA 98.01	I	4822 727 21581
SI MD2.1XE AA 98.01	E	4822 727 21582

SERVICE MANUAL	LANGUAGE	CODE NUMBER
SM MD2.2xE AA	GB	4822 727 21484
SM MD2.2xE AA	NL	4822 727 21485
SM MD2.2xE AA	D	4822 727 21486
SM MD2.2xE AA	F	4822 727 21487
SM MD2.2xE AA	I	4822 727 21488
SM MD2.2xE AA	E	4822 727 21489

SERVICE INFORMATION	LANGUAGE	CODE NUMBER
SI MD2.2xE AA 97.01	GB	4822 727 21537
SI MD2.2xE AA 97.01	NL	4822 727 21538
SI MD2.2xE AA 97.01	D	4822 727 21539
SI MD2.2xE AA 97.01	F	4822 727 21541
SI MD2.2xE AA 97.01	I	4822 727 21542
SI MD2.2xE AA 97.01	E	4822 727 21543
SI MD2.2XE AA 98.01	GB	4822 727 21583
SI MD2.2XE AA 98.01	NL	4822 727 21595
SI MD2.2XE AA 98.01	D	4822 727 21596
SI MD2.2XE AA 98.01	F	4822 727 21597
SI MD2.2XE AA 98.01	I	4822 727 21598
SI MD2.2XE AA 98.01	E	4822 727 21599

SERVICE MANUAL	LANGUAGE	CODE NUMBER
SM MD2.25E AA		4822 727 21611

SERVICE INFORMATION	LANGUAGE	CODE NUMBER
SI MD2.25 AA 98.01		4822 727 21671

SERVICE MANUAL	LANGUAGE	CODE NUMBER
SM MG1.1E AA	GB	3122 785 10150

SERVICE MANUAL	LANGUAGE	CODE NUMBER
SM MG2.1E AA	GB	4822 727 21622
SM MG2.1E AA	NL	4822 727 21623
SM MG2.1E AA	D	4822 727 21624
SM MG2.1E AA	F	4822 727 21625
SM MG2.1E AA	I	4822 727 21626
SM MG2.1E AA	E	4822 727 21627

SERVICE INFORMATION	LANGUAGE	CODE NUMBER
SI MG2.1E AA 99-01	GB	4822 727 21668
SI MG2.1E AA 99-01	NL	4822 727 21698
SI MG2.1E AA 99-01	D	4822 727 21701
SI MG2.1E AA 99-01	F	4822 727 21699
SI MG2.1E AA 99-01	I	4822 727 21702
SI MG2.1E AA 99-01	E	4822 727 21703

SERVICE INFORMATION	LANGUAGE	CODE NUMBER
SI MG2.1E AA 99-02	GB	3122 785 40001
SI MG2.1E AA 99-02	NL	3122 785 40002
SI MG2.1E AA 99-02	D	3122 785 40003
SI MG2.1E AA 99-02	F	3122 785 40004
SI MG2.1E AA 99-02	I	3122 785 40005
SI MG2.1E AA 99-02	E	3122 785 40006
SI MG2.1E AA 99-03	-	3122 785 40017
SI MG2.1E AA 00.02	All	3122 785 40180
SI MG2.1E/MG3.1E 00.01	All	3122 785 40120
SI MG2.1E AA 00.03 (Design Line)	All	3122 785 40300

SERVICE INFORMATION	LANGUAGE	CODE NUMBER
SI MG2.1E/MG3.1E/MG4.1/MG7.1E	All	3122 785 40280

SERVICE MANUAL	LANGUAGE	CODE NUMBER
SM MG3.1A AA	GB	3122 785 10060

SERVICE MANUAL	LANGUAGE	CODE NUMBER
SM MG3.1E AA	GB	3122 785 10001
SM MG3.1E AA	NL	3122 785 10002
SM MG3.1E AA	D	3122 785 10003
SM MG3.1E AA	F	3122 785 10004
SM MG3.1E AA	I	3122 785 10005
SM MG3.1E AA	E	3122 785 10006

SERVICE MANUAL	LANGUAGE	CODE NUMBER
SM MG3.1U Force	GB	7593

SERVICE INFORMATION	LANGUAGE	CODE NUMBER
SI MG3.1E 99-01	All	3122 785 40018
SI MG3.1E 00-01	All	3122 785 40090
SI MG3.1E AA 01.01	All	3122 785 40410
SI MG2.1E/MG3.1E 00.01	All	3122 785 40120

SERVICE MANUAL	LANGUAGE	CODE NUMBER
SM MG3.2E AA	GB	3122 785 11890
SM MG3.2E AA	D	3122 785 11900
SM MG3.2E AA	F	3122 785 11910
SM MG3.2E AA	I	3122 785 11920
SM MG3.2E AA	E	3122 785 11930

SERVICE MANUAL	LANGUAGE	CODE NUMBER
SM MG4.1E AA	GB	3122 785 10650

SERVICE MANUAL	LANGUAGE	CODE NUMBER
SM MG5.1E AA	GB	3122 785 10016
SM MG5.1E AA	NL	3122 785 10017
SM MG5.1E AA	D	3122 785 10018
SM MG5.1E AA	F	3122 785 10019
SM MG5.1E AA	I	3122 785 10021
SM MG5.1E AA	E	3122 785 10022

SERVICE MANUAL	LANGUAGE	CODE NUMBER
SM MG7.1E AA	GB	3122 785 10780
SM MG7.1E AA	NL	3122 785 10790
SM MG7.1E AA	D	3122 785 10800
SM MG7.1E AA	F	3122 785 10810
SM MG7.1E AA	I	3122 785 10820
SM MG7.1E AA	E	3122 785 10830

Remote control survey

RC TYPE	CODE NUMBER
RC0205/00	4822 218 10681
RC0311/00	4822 219 10098
RC0333/01	3139 148 55140
RC19036002/01	3139 228 88001
RC19039001/01	3139 228 86471
RC19042001/01	3139 228 86482
RC19042002/01	3128 147 13341
RC19042005	3128 147 14162
RC19335003/01	3139 228 86452
RC19335009/01	3139 228 89251
RC2008/01	4822 219 10695
RC2009/01	4822 219 10578
RC2012/01	3128 147 11811
RC2012/01	3128 147 11811
RC2017/01	3128 147 13331
RC2020/01	3104 207 09540
RC2020/01B	3104 207 09541
RC2030/01	3104 207 09551
RC2031/01	3104 207 09560
RC2031/01B	3104 207 09561
RC2033/01B	3104 207 09581
RC2035/01	3104 207 09601
RC2036/01	3128 147 11721
RC2038/01B	3128 147 12041
RC2042/01	3128 147 12231
RC2043/01B	3128 147 13201
RC2044/01B	3128 147 13651
RC2048/01B	3128 147 13981
RC2049/01B	3128 147 13991
RC2060/01B	3128 147 14011
RC2511/01	3139 228 84131
RC2525/01	4822 219 10705
RC2532/01	3139 228 82541
RC2533/01	3139 228 82551
RC2541/00	3104 207 08352
RC2541/01	4822 219 10527
RC2543/01	3128 147 12071
RC2563/01	3139 228 84143
RC2576/01	3139 228 86171
RC2592/00	3104 207 09520
RC2592/01B	3104 207 09532
RC282401/01	4822 219 10767
RC282601/01	3139 228 81411
RC282603/01	3139 228 85281
RC282903/01	4822 219 10769
RC282904/01	3139 228 85941
RC283501/01	4822 219 10766
RC283504/01	3139 228 85171
RC283508/01	3139 228 85181
RC283509/01	3139 228 85291
RC283510/01	3139 228 85951
RC2882/01	3139 228 81973
RC2884/00	3139 228 83221
RC2884/01	3139 228 83220
RC2885/01	3139 228 60021
RC8106/01	3139 207 06971
RC8108/01	4822 219 10586
RC8109/01	4822 219 10585
RC8201/01	4822 218 21248
RC8205/01	4822 218 21284
RC8205/21	4822 219 10289
RC8207/01	4822 219 10604
RC8215/01	3128 147 11381
RC86702/01	3139 228 89381
RC86703/01	3139 228 89391
RCL9ED	4822 219 10768
RCLE011	3139 128 76291
RCLE011_S	3139 128 76321
RCLE012	3139 128 76281
RCLE013	3139 128 76271
RCLE014	3139 228 86471
RCLE015	6310 200 92041
RCSBHV00030A	3104 327 00021

RCTS1006pronto	3104 207 10321
RG4172BK(T374A)	3135 017 02641
SBHV00020A	3139 128 76011
SBHV00022A	3104 327 00001
SBHV00030A	3104 327 00021
SBHV00032A	3104 327 00031
SBJJ00003A	3139 128 75701
TS1006	3104 207 10322

Tuner survey

TUNER TYPE	CODE NUMBER
CTT5020E/CFT5510	6168 000 20001
ENV56D9863	2422 542 90108
FQ916DMF/PH MK2	4822 210 10634
FQ916DMR/PH MK2	4822 210 10625
FQ916ME/PH MK2	4822 210 10636
FS936E	4822 210 10468
FV916MG/PH	4822 210 10654
TEDE9-004A	4822 210 10853
TEDE9-031A	2422 542 90072
TEDE9-200A	2422 542 90106
TEDE9-201A	2422 542 90107
TEDE9-228A	2422 542 90111
TEDE9-228B	2422 542 90122
TEDE9-261A	2422 542 90123
TEDE99X701A	2422 542 90076
TEDE9X002A	2422 542 90066
TEDE9X003A	2422 542 90065
TEDE9X029A	2422 542 90067
TEDE9X700A	2422 542 90075
TEDH9-200A	2422 542 90098
TEDH9-202A	2422 542 90115
TEDH9X001A	4822 210 10854
TEDH9X022A	2422 542 90079
TEDH9X700A	2422 542 90077
UR1316/A I-3	3139 147 16441
UR1316R/A I -3	3139 147 17402
UV1316/A I U-2	4822 210 10848
UV1316/A I U-3	3139 147 17311
UV1316/A I X U-3	3139 147 18851
UV1316/A I X-3	3139 147 18831
UV1316/A I-2	4822 210 10841
UV1316/A I-3	3139 147 16611
UV1316/A P-3	3139 147 16621
UV1317/A I G-3	3139 147 19171
UV1317/A I X U-3	3139 147 19231
UV1336B/A P S	3104 147 14911
UV1336B/A P S-2	3139 147 17621
UV1356A/AIG-3	3139 147 16481
UV915E/MK3	4822 210 10448

CRT survey

CRT TYPE	CODE NUMBER
510UFB22	4822 131 11299
A33EKC02X01	0703 621 10151
A34AGT11X91	4822 131 11357
A34AGT11X91	4822 131 11357
A34AGT13X95	9322 137 68682
A34AGT13X95E	9322 139 76682
A34AGT13X95R	9322 137 69682
A34AGT14X91	9322 139 31682
A34EAC01X024	4822 131 11367
A34EAC01X113	9301 861 90301
A34EAC11X113	9301 862 00313
A34JLL91X83	9322 146 12682
A34JXV70X	9322 020 02682
A36AKJ15X07	9322 191 16682
A36QDT351X01	9322 163 43682
A41EAM40X20	9301 835 40301
A48AGY13X95	9322 137 70682
A48AGY13X95R	9322 137 71682
A48ECR143X18	9322 136 38682
A48ECR43X58	9322 165 88682
A48LGS10X23	9322 181 78682

A51EAL135X15	4822 131 11087
A51EAL155X01	4822 131 11175
A51EAL155X47	4822 131 11105
A51EER133X72	9322 145 31682
A51EFK135X47	9301 842 70329
A51EHW135X47	9301 843 10329
A51ERF135X72	9301 866 80301
A51KPX10X	4822 131 11104
A51KXR95X	4822 131 20581
A51KXR95X01	9322 152 60682
A51KXR95X99	9322 131 77682
A51LSK955X	9322 156 24682
A51LSK955X01	9322 153 82682
A51QDJ279X77(Q)	9301 904 99521
A51QDJ279X77(S)	9301 906 40521
A59EAK071X11	4822 131 11184
A59EAK071X44	9301 735 10306
A59EAK552X11	4822 131 20568
A59EEJ71X	4822 131 11368
A59EEJ71X11	4822 131 11366
A59EMZ43X07	9322 147 09682
A59QDF891X001	9322 163 87682
A59QDF891X001(L)	9322 163 87682
A59QDF891X005(L)	9322 164 08682
A66EAK071X01	4822 131 11216
A66EAK071X11	4822 131 11045
A66EAK071X21	9301 731 00346
A66EAK071X44	9301 732 90303
A66EAK552X11	4822 131 20559
A66EAK552X21	9301 721 10346
A66ECF50X05	9322 147 08682
A66EMZ43X07	9322 157 16682
A68AJB82X01	4822 131 20628
A68ERF012X013	9301 915 20347
A68ERF031X044	9301 831 70301
A68ESF002X111	4822 131 11298
A68ESF002X113	9301 903 91347
A68ESF002X143	4822 131 11311
A68ESF004X111	4822 131 11298
A68ESF004X111	9301 811 40314
A68QCP891X001	9322 142 09682
A68QCP891X005	9322 142 10682
A68QCP891X100	8204 000 73341
A68QCP891X101	9322 147 78682
A68QCP891X102	8204 000 73431
A68QCP891X500	9322 160 14682
A68QCP891X500 M169	3104 309 16301
A68QCP891X501	9322 160 15682
A68QCP891X501 M169	3104 309 16311
A68QCP891X502	9322 160 16682
A68QCP891X536	9322 176 13682
A68QCP891X604	9322 162 09682
A68QCP891X628	9322 177 18682
A68QCP893X001	9322 173 75682
A80ECK272X56	9301 795 00489
A80EJX011X129	8204 000 74831
A80EJX011X429	9322 176 81682
A80LTM350X89	9322 185 70682
A80LTM351X89	9322 185 75682
FPF32C106128UA-52	9322 172 11682
FPF42C10660UD-02	4822 135 00193
FPF42C10660UE-11	9322 147 49682
FPF42C10660UE-31	9322 156 44682
FPF42C123123UB-51	9322 181 37682
FPF42C128128UB-54	9322 185 78682
M79LQM185X01	9322 156 41682
M79LQM185X02	9322 156 41682
W56ECK001X04	9301 760 20301
P16LTG00BMB(U)	9322 173 23682
P16LTG00HHA(U)	9322 173 21682
P16LTG00RFA(U)	9322 173 22682
W66ECK001X14	4822 131 11345
W56ERF001X11	9301 886 30347
W66EJU023X815	9322 174 13682
W66ERF001X013	9301 805 90301
W66ERF022X013	9301 888 10301

W66ERF031X044	9301 828 00306
W66ERF041X044	9301 852 40306
W66ERF042X044	9301 880 70301
W66ESF002X44	4822 131 20704
W76EGV023X315	9322 148 59682
W76EGV023X815	9322 166 53682
W76EKW10X73	9322 173 93682
W76ERF001X013	9301 800 90314
W76ERF031X044	9301 827 70301
W76ERF032X044	9301 880 70314
W76ERF041X044	9301 852 00301
W76ERF042X013	9301 880 80314
W76ERF042X044	9301 880 70301
W76ERF052X044	9301 895 00306
W76ESF031X14	4822 131 11215
W76ESF031X44	4822 131 20705
W86LPX955X	3104 300 50301

Software survey

Tabel 1

Version	Remarks
3104 317 00850	<ul style="list-style-type: none"> - Improved EPG performance <ul style="list-style-type: none"> • Improved acquisition: new acquisition filter (low and high level). Consequence: max. EPG standby time increased to 1 hour • Acquisition start in EPG standby even if no date/time available on local broadcasters • MIP and BI processing done • Improved speed of display update (theme guide) • Message added: 'Programme information can not be displayed on this preset. Select on other preset' (all languages) • Improved reminder start-up: also after power failure in standby

Tabel 2

Version	Remarks
3104 317 01020 3104 317 01030 3104 317 01040	<ul style="list-style-type: none"> - New Auto TV parameters / user Sharpness control improved - New 864 Dolby module added to software - Menu colours / layout changed OSD size reduction (no more icons) - Adopted for the MID2.25 stick remote control RC2000 - Permanent OSD is permanent again: only number! - Bayern Text problem solved - DVD in stead of CDi in the menus - Store PP is moved to Set-up menu; features menu contains now a new item: "Recall Pers. Prefs." - The EasyLink record button now has a 'toggle' function: EasyLink Record and EasyLink Stop. As a consequence, in exceptional situations, sometimes the user has to press this button twice. - 433 cordless Dolby: no Dolby transmission for preset at 359MHz - 1mW or 10mW cordless transmitter selected depending country-choice in menus

Tabel 3

Version	Remarks
3104 317 01240 3104 317 01250 3104 317 01360	<ul style="list-style-type: none"> - P50 standby problem is solved (PR 1679,1764) - Polish Clock problem before 10:00 AM is solved. - Problem with 'WideScreen' aspect-ratio after textDualScreen is solved. - Blanking time when zapping between presets is changed is 3 grades: much shorter for 4:3 TVs, not altered for PAL+ TVs, shorter for the remaining (16:9) types. - A short blanking is introduced when zapping the primary image in Video Dual Screen mode. - East Europe translation problems (inconsistency with manuals) solved. - Mosaic menu line invisible on NTSC image solved. - Entering VGA picture menu with OK button. - 'CDI' in customer service menu 2 added. - Picture performance for DVD is improved: DVD settings work for CVBS, Y/C, and RGB. Changed: Dynamic contrast, Sharpness, Contrast, ANR, Auto TV parameters (CR ER 493, 613). In the set-up menu, the DVD item is altered: the DVD (or other 'Digital Sources') can now be connected to EXT1, 2, 3, or FRONT (used to be only EXT1). The improved picture performance settings will work on the selected connection. - The 'Soft' smart picture mode is altered to give the best possible picture performance for bad quality MPEG signals. - The "information line" item in the set-up menu, is now also functional in permanent OSD mode. - The picture performance of text-dual screen is improved by selecting another font, and shifting the text area a bit away from the picture tube edge. <p>Due to a problem with the set-type determination, this software can not be used in TVs for which the option bit for Smartic is not set, i.e. TVs that do not have the Smartic hardware (Dynamic Contrast). This makes this software unusable as a service-solution for a lot of MID2.2 TVs. All the MID2.25 TV sets do have the Smartic, so this software can be used for MID2.25. The phenomenon in a TV with the Smartic option bit cleared: The screen comes up very dark when switching ON the TV. Pressing the "PP restore" button restores the light-output. After a preset change, the screen is dark again. Pressing "PP restore" restores light.</p>

Software survey

Tabel 4

Version	Remarks
MG2.1E11.0_01561	<ul style="list-style-type: none"> - Subtitle via sub-code gets blocked, solved now - Correctness of clock. Clock accuracy is optimised (deviation 6 sec during 24 hours) - OSD clock update is stumbling. Clock is updated every 0.5 sec now. No further optimisation possible without a serious architecture change. - ACI optimisation , 5 min hang-up during scrambled signals is optimised to 1.5 min - ACI problems in The Netherlands. Sometimes the region table was skipped. The region selection table is always shown now, so the customer needs to select. - ACI problem with Tables on TOP-pages is NOT solved. Broadcaster needs adaptation; TOP table usage is not allowed. - TOP overview corruption of left table is SOLVED - TXT level 2.5 side band colours during vertical expansion; SOLVED - Subtitle skipping of text. This is optimised now - Sound after 4 min EPG-standby. Set doesn't free-up the sound anymore. - EPG sleep timer 2 hours. Set goes into st-by after a reminder wake-up without RC5/RC6 interaction. - EPG reminder wake-up. Sometimes the set doesn't wake-up. Depending on the quality of packet 8/30 wake-ups can go wrong. - Habit watch was not in. Functionality is available now - Next view on M6. Sometimes the TV selects TXT-guide ISO Next View. This is according to spec. Detecting EPG can take max. 2 minutes - Vg2 acknowledge for factory purposes - Hang-up problem; NVM-dump for prod needed for further analyses on hang-ups. - Exception handling to optimise the hang-up behaviour. This has no influence for the customer. - Dealer option store PR is solved

Tabel 5

Version	Remarks
MG2.1E11.3_01611	<ul style="list-style-type: none"> - HOP hardware problem, horizontal jitter. Switch to fast PLL for the N1 HOP version is implemented. - HIP hardware problem, SECAM recognition. The temporarily loss of colour and sync of SECAM signal via SCART is solved. - WSS problem. WSS recognition is disturbed due to a changed spec of MacroVision-protection. The unreliability behaviour of the WSS algorithm is solved. The change only influences the behaviour on SCART. - Slow Status recognition on SCART. The different behaviour of rising and falling edges on the SCART connector is now consistent. This solves strange switching between 4/3 and 16/9 format - OSD text changes for EPG-France; "une fo" becomes "1 fois" and "Journe" becomes "Jour" - OSD text changes in Polish language; "Glosnosc" (Not correctly displayed due to keyboard limitations) and "Wybierz Jezuk" (idem) - Canal+ - M6 EPG problem. When selecting EPG on Canal+, the set switches in the background to M6, which makes the M6 sound available. Switching back to TV-mode makes the set to tune to Canal+ again. MIP page transmission was not possible with the previous SW version. A patch in the Soton SW solves this problem. Now, when selecting EPG on Canal+ no background tuning will happen. ATTENTION: The first time you access EPG transmitted through MIP pages (exp.: Canal+) you need to be tuned during 4 minutes on this channel. This time is required to give the application time to capture the MIP page and store it in NVM. - ACI Veldhoven problem. Cable Distribution company in Veldhoven (the Netherlands) is using transmission pages, which are reserved for TOP table transmission. This is not a common use, but it is allowed according to spec. In this SW version the TOP acquisition is switched OFF during ACI installation, which solves this problem

Software survey

SOFTWARE SURVEY

CHASSIS	FAMILY	PRODUCTION CODE	iP TYPE/VERSION	IDENT	SERVICE CODE	HOTEL MODE ?	REMARKS TYPICAL FOR THIS SOFTWARE	REPLACED BY	
								IDENT	SERVICE CODE
A10A AA	China, non-TXT	From Wk026 and higher	SAA5645	A10AP1-1.0	9965 000 07276	No	Initial version	A10AP1-1.9	9965 000 07276
A10A AA	China, non-TXT	From Wk029 and higher	SAA5645	A10AP1-1.1	9965 000 07276	No	OSD of the a locked channel is not displayed - Tv lock updown channel of CVI Comfilter switching problem at low signal - PIP OSD position in mode 1,2,3,4 - PIP OSD out of PIP window when in CVI - Dual I/II key problem on external channel - TV lock problem enter access code.	A10AP1-1.9	9965 000 07276
A10A AA	China, non-TXT	From Wk030 and higher	SAA5645	A10AP1-1.3	9965 000 07276	No	Headphone plop sound during PIP channel change - Adjust hue(int) offset for non CVI - After manual store, the sound reset to theater - Hue value in CSM is -50. Whereas in normal mode is 0 - ACH to toggle RF source to AV source is not working when program list is on - Program list scrolling when av source is skipped problem - Contrast reduction when no video ident - Headphone not mute when OPC-DW-PIP off	A10AP1-1.9	9965 000 07276
A10A AA	China, non-TXT	From Wk034 and higher	SAA5645	A10AP1-1.4	9965 000 07276	No	IO expander set / reset SAW filter should be done for all AP region - Double window corruption - To fix warning message for PIP	A10AP1-1.9	9965 000 07276
A10A AA	China, non-TXT	From Wk034 and higher	SAA5645	A10AP1-1.5	9965 000 07276	No	Audio is muted after the line tune value in the install submenu is adjusted and stored into A10 DVD.	A10AP1-1.9	9965 000 07276
A10A AA	China, non-TXT	From Wk052 and higher	SAA5645	A10AP1-1.6	9965 000 07276	No	Remove PIP submenu when the option PIPC is OFF - Headphone crosstalk problem - To mute headphone when no signal input and during PIP channel change - Colour could not be detected when plug-in Y/C cable problem	A10AP1-1.9	9965 000 07276
A10A AA	China, non-TXT	From Wk126 and higher	SAA5645	A10AP1-1.8	9965 000 07276	No	Sound is muted after perform line tuning and stored - White line is seen in 16:9 mode with DVD input in NTSC mode	A10AP1-1.9	9965 000 07276
A10A AA	China, non-TXT	From Wk201+C36 and higher	SAA5645	A10AP1-1.9	9965 000 07276	No	-	-	-
A10A AA	AP PAL/Multi (/57./69./73, 79), 10pg.TXT	From Wk034 and higher	SAA5667	A10AS1-1.0	9965 000 07277	No	Initial version	A10AS1-1.6	9965 000 07277
A10A AA	AP PAL/Multi (/57./69./73, 79), 10pg.TXT	From Wk040 and higher	SAA5667	A10AS1-1.1	9965 000 07277	No	Teletext clock display - IO expander set / reset SAW filter should be done for all AP region - Double window corruption - Fix warning message for PIP	A10AS1-1.6	9965 000 07277
A10A AA	AP PAL/Multi (/57./69./73, 79), 10pg.TXT	From Wk047 and higher	SAA5667	A10AS1-1.2	9965 000 07277	No	Remove PIP submenu when the option PIPC is OFF - Headphone crosstalk problem - To mute headphone when no signal input and during PIP channel change - Colour could not be detected when plug-in Y/C cable problem	A10AS1-1.6	9965 000 07277
A10A AA	AP PAL/Multi (/57./69./73, 79), 10pg.TXT	From Wk126 and higher	SAA5667	A10AS1-1.4	9965 000 07277	No	White line is seen in 16:9 format with DVD input in NTSC mode.	A10AS1-1.6	9965 000 07277
A10A AA	AP PAL/Multi (/57./69./73, 79), 10pg.TXT	From Wk201 and higher	SAA5667	A10AS1-1.6	9965 000 07277	No	-	-	-
A10A AA	Middle East (/56), 10pg.TXT	From Wk036 and higher	SAA5667	A10AS2-1.0	9965 000 07281	No	Initial version	A10AS2-1.4	9965 000 07281
A10A AA	Middle East (/56), 10pg.TXT	From Wk040 and higher	SAA5667	A10AS2-1.1	9965 000 07281	No	IO expander set / reset SAW filter should be done for all AP region - Double window corruption - To fix warning message for PIP	A10AS2-1.4	9965 000 07281
A10A AA	Middle East (/56), 10pg.TXT	From Wk047 and higher	SAA5667	A10AS2-1.2	9965 000 07281	No	Remove PIP submenu when the option PIPC is OFF - Headphone crosstalk problem - To mute headphone when no signal input and during PIP channel change - Colour could not be detected when plug-in Y/C cable	A10AS2-1.4	9965 000 07281
A10A AA	Middle East (/56), 10pg.TXT	From Wk126 and higher	SAA5667	A10AS2-1.3	9965 000 07281	No	Dark page subtitle - Shift down OSD from first row - White line is seen in 16:9 format with DVD input in NTSC mode.	A10AS2-1.4	9965 000 07281
A10A AA	Middle East (/56), 10pg.TXT	From Wk201 and higher	SAA5667	A10AS2-1.4	9965 000 07281	No	-	-	-
A10A AA	AP PAL/Multi (/57./69./79)	From Wk033 and higher	SAA5667	A10AT1-1.0	9965 000 07282	No	Initial version	A10AT1-1.6	9965 000 07282
A10A AA	AP PAL/Multi (/57./69./79) 10pg.TXT	From Wk034 and higher	SAA5667	A10AT1-1.1	9965 000 07282	No	Teletext clock display - IO expander set / reset SAW filter should be done for all AP region - Double window corruption - Fix warning message for PIP	A10AT1-1.6	9965 000 07282
A10A AA	AP PAL/Multi (/57./69./79)	From Wk044 and higher	SAA5667	A10AT1-1.2	9965 000 07282	No	Max cathode drive - Ports controllable by CompPair	A10AT1-1.6	9965 000 07282
A10A AA	AP PAL/Multi (/57./69./79)	From Wk052 and higher	SAA5667	A10AT1-1.3	9965 000 07282	No	Remove PIP submenu when the option PIPC is OFF - Headphone crosstalk	A10AT1-1.6	9965 000 07282
A10A AA	AP PAL/Multi (/57./69./79)	From Wk111 and higher	SAA5667	A10AT1-1.4	9965 000 07282	No	Dark page subtitle - Shift down OSD from first row	A10AT1-1.6	9965 000 07282
A10A AA	AP PAL/Multi (/57./69./79)	From Wk126 and higher	SAA5667	A10AT1-1.5	9965 000 07282	No	White line is seen in 16:9 format with DVD input in NTSC mode.	A10AT1-1.6	9965 000 07282
A10A AA	AP PAL/Multi (/57./69./79)	From Wk201 and higher	SAA5667	A10AT1-1.6	9965 000 07282	No	-	-	-
A10A AA	Middle East PAL/Multi (/56), 100pg.TXT	From Wk037 and higher	SAA5667	A10AT2-1.0	9965 000 07283	No	Initial version	A10AT2-1.4	9965 000 07283
A10A AA	Middle East PAL/Multi (/56), 100pg.TXT	From Wk040 and higher	SAA5667	A10AT2-1.1	9965 000 07283	No	IO expander set / reset SAW filter should be done for all AP region - Double window corruption - Fix warning message for PIP	A10AT2-1.4	9965 000 07283
A10A AA	Middle East PAL/Multi (/56), 100pg.TXT	From Wk052 and higher	SAA5667	A10AT2-1.2	9965 000 07283	No	Dark page subtitle (P801) - Shift down OSD from first row - White line is seen in 16:9 format with DVD input in NTSC mode.	A10AT2-1.4	9965 000 07283
A10A AA	Middle East PAL/Multi (/56), 100pg.TXT	From Wk126 and higher	SAA5667	A10AT2-1.3	9965 000 07283	No	-	-	-
A10A AA	Middle East PAL/Multi (/56), 100pg.TXT	From Wk201 and higher	SAA5667	A10AT2-1.4	9965 000 07283	No	-	-	-

Software survey

SOFTWARE SURVEY									
CHASSIS	FAMILY	PRODUCTION CODE	uP TYPE/VERSION	IDENT	SERVICE CODE	HOTEL MODE ?	REMARKS TYPICAL FOR THIS SOFTWARE	REPLACED BY IDENT	SERVICE CODE
A10A AA	AF-NTSC (771, /97)	From Wk037 and higher	SAA5645	A10ANI-1.1	9965 000 07284	No	Initial version	A10ANI-1.6	9965 000 07284
A10A AA	AF-NTSC (771, /97)	From Wk107 and higher	SAA5645	A10ANI-1.3	9965 000 07284	No	Only mono sound can be heard upon mains ON - Headphone crosstalk	A10ANI-1.6	9965 000 07284
A10A AA	AF-NTSC (771, /97)	From Wk126 and higher	SAA5645	A10ANI-1.5	9965 000 07284	No	White line is seen in DVD 16:9 mode.	A10ANI-1.6	9965 000 07284
A10A AA	AF-NTSC (771, /97)	From Wk201 and higher	SAA5645	A10ANI-1.6	9965 000 07284	No		-	-
A10A AA	AF-NTSC (61), non-TXT.	From Wk037 and higher	SAA5645	A10AN2-1.1	9965 000 07285	No	Initial version	A10AN2-1.6	9965 000 07285
A10A AA	AF-NTSC (61), non-TXT, CC	From Wk111 and higher	SAA5645	A10AN2-1.2	9965 000 07285	No	Cancel all timer when hospitality mode is entered - Close Caption does not display after setting it to ON - Close Caption display problem in CVI mode - Lock icon can be seen in program list when CHLK is OFF - Left side of the screen is unblanked in blocked channel when sleep timer is ON and Close Caption is ON - Last status of sound detection - Error 16 & 13 reported in SDM when shorting SDM pins - Hospitality mode reset problem - No sound on	A10AN2-1.6	9965 000 07285
A10A AA	AF-NTSC (61), non-TXT.	From Wk126 and higher	SAA5645	A10AN2-1.5	9965 000 07286	No	White line is seen in DVD 16:9 mode.	A10AN2-1.6	9965 000 07286
A10A AA	AF-NTSC (61), non-TXT.	From Wk201 and higher	SAA5645	A10AN2-1.6	9965 000 07286	No		-	-
A10A AA DVD	AP PAL/Multi (/57, /69, /79)	From Wk041 and higher	SAA5667	A10ADT1-1.0	9965 000 07286	No	Initial version	A10ADT1-1.5	9965 000 07286
A10A AA DVD	AP PAL/Multi (/57, /69, /79)	From Wk044 and higher	SAA5667	A10ADT1-1.1	9965 000 07286	No	Headphone mute when RF has no signal - 'X' not shown when RC5 INCR. SURR pressed in DVD mode	A10ADT1-1.5	9965 000 07286
A10A AA DVD	AP PAL/Multi (/57, /69, /79)	From Wk111 and higher	SAA5667	A10ADT1-1.4	9965 000 07286	No	Dark page subtitle problem - Shift down OSD from first row	A10ADT1-1.5	9965 000 07286
A10A AA DVD	AP PAL/Multi (/57, /69, /79)	From Wk126 and higher	SAA5667	A10ADT1-1.5	9965 000 07286	No	White line is seen in DVD 16:9 mode.	-	-
A10E AA	W.Europe, 10 page TXT	Production start	SAA5565M3	A10ET1-1.0	n.a.	No	Initial version	A10ET1-1.7	3111 250 54511
A10E AA	W.Europe, 10 page TXT	Production	SAA5565M3	A10ET1-1.1	9352 677 14557	No		A10ET1-1.7	3111 250 54511
A10E AA	W.Europe, 10 page TXT	From Wk 032	SAA5565M3	A10ET1-1.2	n.a.	No		A10ET1-1.7	3111 250 54511
A10E AA	W.Europe, 10 page TXT	From Wk 034	SAA5565M3	A10ET1-1.3	9352 681 58557	No		A10ET1-1.7	3111 250 54511
A10E AA	W.Europe, 10 page TXT	From Wk 036	SAA5565M3	A10ET1-1.4	3111 250 54511	No	Solving of embarrassing Mute in EXT1 when DVD connected	A10ET1-1.7	3111 250 54511
A10E AA	W.Europe, 10 page TXT	From Wk 128	SAA5565M3	A10ET1-1.6	3111 250 54511	No	Solving of DST issue	A10ET1-1.7	3111 250 54511
A10E AA	W.Europe, 10 page TXT	From Wk 204	SAA5565M3	A10ET1-1.7	3111 250 54511	No	Change NVM address 12(HEX) from value 01 to 02. Change NVM address 13(HEX) from value 09 to 00. Mute sound while DVD is used on EXT1 or EXT2 is solved.	A10ET1-1.7	3111 250 54511
A10E AA	W.Europe, 100 page TXT	Production start	SAA5667	A10EP1-1.1	n.a.	No	When software version A10EP1-2.0 is used change : VERSION_MAIN_ID on address 12(HEX) from value 01 to 02 and VERSION_SUB_ID on address 13(HEX) from value 09 to 00. in NVM	A10EP1-2.0	3111 250 54501
A10E AA	W.Europe, 100 page TXT	From Wk 036	SAA5667	A10EP1-1.3	3111 250 54501	No	When software version A10EP1-2.0 is used change : VERSION_MAIN_ID on address 12(HEX) from value 01 to 02 and VERSION_SUB_ID on address 13(HEX) from value 09 to 00. in NVM	A10EP1-2.0	3111 250 54501
A10E AA	W.Europe, 100 page TXT	From Wk 116	SAA5667	A10EP1-1.4	3111 250 54501	No	When software version A10EP1-2.0 is used change : VERSION_MAIN_ID on address 12(HEX) from value 01 to 02 and VERSION_SUB_ID on address 13(HEX) from value 09 to 00. in NVM	A10EP1-2.0	3111 250 54501
A10E AA	W.Europe, 100 page TXT	From Wk 143	SAA5667	A10EP1-1.6	3111 250 54501	No	When software version A10EP1-2.0 is used change : VERSION_MAIN_ID on address 12(HEX) from value 01 to 02 and VERSION_SUB_ID on address 13(HEX) from value 09 to 00. in NVM	A10EP1-2.0	3111 250 54501
A10E AA	W.Europe, 100 page TXT	From Wk 215	SAA5667	A10EP1-2.0	3111 250 54501	No	When software version A10EP1-2.0 is used change : VERSION_MAIN_ID on address 12(HEX) from value 01 to 02 and VERSION_SUB_ID on address 13(HEX) from value 09 to 00. in NVM	-	-
A10E AA	E.Europe, 100 page TXT	Prod. start from Wk 040	SAA5667	A10EP2-1.0	9965 000 07287	No	Initial version	A10EP2-1.2	9965 000 07287
A10E AA	E.Europe, 100 page TXT		SAA5667	A10EP2-1.2	9965 000 07287	No		-	-
A10E AA DPL	W.Europe, 100 page TXT	Prod. Start from Wk 039	SAA5667	A10ED1-1.0	9965 000 10425	No	Initial version	A10ED1-1.2	9965 000 10425
A10E AA DPL	W.Europe, 100 page TXT	Prod. Start from Wk 128	SAA5667	A10ED1-1.2	9965 000 10425	No		-	-
A10E AA DPL	E.Europe, 100 page TXT		SAA5667	A10ED2-1.0	9965 000 07288	No	Initial version	-	-
A10E AA DVD	W.Europe, 100 page TXT	Prod. Start from Wk 115	SAA5667	A10EDN1-1.1	9965 000 10426	No	Initial version	A10EDN1-1.9	9965 000 10426
A10E AA DVD	W.Europe, 100 page TXT	Prod. Start from Wk 126	SAA5667	A10EDN1-1.2	9965 000 10426	No		A10EDN1-1.9	9965 000 10426
A10E AA DVD	W.Europe, 100 page TXT	Prod. Start from Wk 133	SAA5667	A10EDN1-1.3	9965 000 10426	No		A10EDN1-1.9	9965 000 10426
A10E AA DVD	W.Europe, 100 page TXT	Prod. Start from Wk 137	SAA5667	A10EDN1-1.5	9965 000 10426	No		A10EDN1-1.9	9965 000 10426
A10E AA DVD	W.Europe, 100 page TXT	Prod. Start from Wk 208	SAA5667	A10EDN1-1.9	9965 000 15988	No	Drift of OSD clock is solved	-	-
A10E AA DVD	ASD1.0 application	QG4	AM29LV160BT-90SC	Version 7.26	3104 123 85540	n.a.		-	-
A10E AA DVD	ASD1.0 servo	QG4	AM29F002T	Version 5.1.14	3104 123 85860	n.a.		-	-
A10E AA DVD	SG3.0 application software	QG5	AM29LV160DT-90SC	Version 4.15.M-0	9965 000 16405	n.a.		-	-
A10E AA DVD	ASD1.0 servo	QG4	AM29F002T	Version 5.1.14	3104 123 85860	n.a.		-	-
A10E AA DVD+DPL	W.Europe, 100 page TXT	Prod. Start from Wk 135	SAA5667	A10EDD1-1.0	9965 000 12349	No	Initial version	A10EDD1-1.3	9965 000 12349
A10E AA DVD+DPL	W.Europe, 100 page TXT	Prod. Start from Wk 208	SAA5667	A10EDD1-1.3	9965 000 12349	No	Drift of OSD clock is solved	-	-

Software survey

SOFTWARE SURVEY									
CHASSIS	FAMILY	PRODUCTION CODE	UP TYPE/VERSION	IDENT	SERVICE CODE	HOTEL MODE ?	REMARKS TYPICAL FOR THIS SOFTWARE	REPLACED BY IDENT	SERVICE CODE
A10E AA DVD+DPL	ASD1.0 application	QG4	AM29LV160BT-90SC	Version 7.26	3104 123 85540	n.a.			
A10E AA DVD+DPL	ASD1.0 servo	QG4	AM29F002T	Version 5.1.14	3104 123 85860	n.a.			
A10E AA DVD+DPL	SD3.0 application software	QG5	AM29LV160DT-90SC	Version 4.15.M-0	9965 000 16405	n.a.			
A10E AA DVD+DPL	ASD1.0 servo	QG4	AM29F002T	Version 5.1.14	3104 123 85860	n.a.			
A10E AA DVD+DPL	E.Europe, 100 page TXT	Prod. Start from Wk. 135	SAAS667	A10EVD1-1.0	9965 000 12360	No	Initial version	A10EVD1-1.3	9965 000 12350
A10E AA DVD+DPL	E.Europe, 100 page TXT	Prod. Start from Wk. 208	SAAS667	A10EVD1-1.3	9965 000 12360	No	Drift of OSD clock is solved		
A10E AA DVD+DPL	ASD1.0 application	QG4	AM29LV160BT-90SC	Version 7.26	3104 123 85540	n.a.			
A10E AA DVD+DPL	ASD1.0 servo	QG4	AM29F002T	Version 5.1.14	3104 123 85860	n.a.			
A10E AA DVD+DPL	SD3.0 application software	QG5	AM29LV160DT-90SC	Version 4.15.M-0	9965 000 16405	n.a.			
A10E AA DVD+DPL	ASD1.0 servo	QG4	AM29F002T	Version 5.1.14	3104 123 85860	n.a.			
A10E AA DVD+DPL	W.Europe, Digital TV	Prod. Start from Wk. 223	SAAS667	A10EGN1-1.0	9965 000 14559	No		A10EGN1-1.3	9965 000 14559
A10E AA DVD+DPL	W.Europe, Digital TV	Prod. Start from Wk. 224	SAAS667	A10EGN1-1.1	9965 000 14559	No		A10EGN1-1.3	9965 000 14559
A10E AA DVD+DPL	W.Europe, Digital TV	Prod. Start from Wk. 227	SAAS667	A10EGN1-1.3	9965 000 14559	No			
A10E AA DVD+DPL	ASD1.0 application software	QG4	AM29LV160BT-90SC	Version 7.26	3104 123 85540	n.a.			
A10E AA DVD+DPL	SD3.0 application software	QG5	AM29LV160DT-90SC	Version 4.15.M-0	9965 000 16405	n.a.			
A10-PTV2.0	AP		SAAS667	PTV_2AP1_V2.23	-	No			
A10-PTV2.0	AP		SAAS667	PTV_2AP1_V2.51	9965 000 11488	No			
A10-PTV2.0	AP		SAAS667	PTV_2AP1_V2.56	9965 000 11488	No			
A10-PTV2.0	Taiwan/Philippines		SAAS667	PTV_3AP1_V2.23	-	No			
A10-PTV2.0	Taiwan/Philippines		SAAS667	PTV_3AP1_V2.28	9965 000 11489	No			
A10-PTV2.0	Taiwan/Philippines		SAAS667	PTV_3AP1_V2.56	9965 000 11489	No			
A10-PTV2.0	Korea		SAAS667	PTV_3AP2_V2.24	-	No			
A10-PTV2.0	Korea		SAAS667	PTV_3AP2_V2.28	9965 000 11514	No			
A10-PTV2.0	Korea		SAAS667	PTV_3AP2_V2.56	9965 000 11514	No			
EM1A	2AP1 (/57, /69, /75, /79)	From week 0105	SAAS667/HUM1	EM12A1_2.0_02881	3104 317 02881	No		EM12A1_2.1_02931	3104 317 02931
EM1A	2AP1 (/57, /69, /75, /79)	From week 0109	SAAS667/HUM1	EM12A1_2.1_02931	3104 317 02931	No		EM12A1_2.4_03271	3104 317 03271
EM1A	2AP1 (/57, /69, /75, /79)	From week 0128	SAAS667/HUM1	EM12A1_2.4_03271	3104 317 03271	No	New MSP B8-version.		
EM1A	2AP1 (/57, /69, /75, /79)	From week 0204	SAAS667/HUM1	EM12A1_3.0_03561	3104 317 03561	No	Only for 29PT8419. Microphony solution (reduced bass-settings).		
EM1A	2AP1 (/57, /69, /75, /79)	From week 0208	SAAS667/HUM1	EM12A1_3.0_03631	3104 317 03631	No	Only for 34PT8419. Microphony solution (reduced bass-settings).		
EM1A	2AP1 (/69, /79)	From week 0222	SAAS667/HUM1	EM12A1_1.0	9965 000 14382	No	Only for 29/34PT T8420.		
EM1A	2AP1 (/69, /79)	From week 0232	SAAS667/HUM1	EM12A1_1.2	9965 000 14382	No	Only for 29/34PT T8420. Solution for: Missing Chinese characters in Dynamic Contrast menu.		
EM1A	2AP2 (/56)	From week 0105	SAAS667/HUM1	EM12A2_2.0_02891	3104 317 02891	No			
EM1A	2AP2 (/56)	From week 0128	SAAS667/HUM1	EM12A2_2.4_03281	3104 317 03281	No	New MSP B8-version.		3104 317 03281
EM1A	2AP2 (/56)	From week 0208	SAAS667/HUM1	EM12A2_3.0_03621	3104 317 03621	No	Only for 34PT8419. Microphony solution (reduced bass-settings).		
EM1A	2AP2 (/56)	From week 0222	SAAS667/HUM1	EM12A2_1.0	9965 000 14383	No	Only for 29/34PT T8420.		
EM1A	2AP2 (/56)	From week 0234	SAAS667/HUM1	EM12A2_1.1	9965 000 14383	No	Only for 29/34PT T8420. Solution for: Subwoofer not muted during channel change, Incorrect Chinese characters in Digital Option'.		
EM1A-NTSC	3AP1 (Taiwan, /71)	From week 0133	SAAS677/HUM1	EM13A1_1.1_03321	3104 317 03321	No		EM13A1_1.2_03351	3104 317 03351
EM1A-NTSC	3AP1 (Taiwan, /71)	From week 0134	SAAS677/HUM1	EM13A1_1.2_03351	3104 317 03351	No		EM13A1_1.3_03371	3104 317 03371
EM1A-NTSC	3AP1 (Taiwan, /71)	From week 0135	SAAS677/HUM1	EM13A1_1.3_03371	3104 317 03371	No			
EM1A-NTSC	3AP1 (Taiwan, /71)	From week 0208	SAAS677/HUM1	EM13A1_3.0_03661	3104 317 03661	No	Only for 34PT8419. Microphony solution (reduced bass-settings).		
EM1A-NTSC	3AP1 (Taiwan, /71)	From week 0222	SAAS677/HUM1	EM13A1_1.0	9965 000 14384	No	Only for 29/34PT T8420.		
EM1A-NTSC	3AP1 (Taiwan, /71)	From week 0234	SAAS677/HUM1	EM13A1_1.1	9965 000 14384	No	Only for 29/34PT T8420. Solution for: Several OSD problems, Channel does not change when 'Lock Channel' list is toggled.		
EM1A-NTSC	3AP2 (Korea, /61)	From week 0133	SAAS677/HUM1	EM13A2_1.1_03331	3104 317 03331	No		EM13A2_1.2_03361	3104 317 03361
EM1A-NTSC	3AP2 (Korea, /61)	From week 0134	SAAS677/HUM1	EM13A2_1.2_03361	3104 317 03361	No		EM13A2_1.3_03381	3104 317 03381
EM1A-NTSC	3AP2 (Korea, /61)	From week 0135	SAAS677/HUM1	EM13A2_1.3_03381	3104 317 03381	No		EM13A2_2.0_03491	3104 317 03491
EM1A-NTSC	3AP2 (Korea, /61)	From week 0211	SAAS677/HUM1	EM13A2_2.0_03491	3104 317 03491	No			
EM1A-NTSC	3AP2 (Korea, /61)	From week 0208	SAAS677/HUM1	EM13A2_3.0_03651	3104 317 03651	No	Only for 34PT8419. Microphony solution (reduced bass-settings).		
EM1A-NTSC	3AP2 (Korea, /61)	From week 0222	SAAS677/HUM1	EM13A2_1.0	9965 000 14385	No	Only for 29/34PT T8420.		
EM1A-NTSC	3AP2 (Korea, /61)	From week 0234	SAAS677/HUM1	EM13A2_1.1	9965 000 14385	No	Only for 29/34PT T8420. Solution for: Several OSD problems, Channel does not change when 'Lock Channel' list is toggled.		
EM1L	1LT1 (/77)	From week 0126	SAAS677/HUM1	EM11L1_1.1_03401	3104 317 03401	No		EM11L1_2.0_03781	3104 317 03781
EM1L	1LT1 (/77)	From week 0212	SAAS677/HUM1	EM11L1_2.0_03781	3104 317 03781	No			
EM1L	2LT1 (/44, /55, /78)	From week 0136	SAAS677/HUM1	EM12L1_1.2_03411	3104 317 03411	No			
EM1L	2LT1 (/44, /55, /78)	From week 0222	SAAS677/HUM1	EM12L1_2.0_03791	3104 317 03791	No	Only for 34PT8419/78. Adapted for using ComPair tool.		

Software survey

SOFTWARE SURVEY

CHASSIS	FAMILY	PRODUCTION CODE	UP TYPE/VERSION	IDENT	SERVICE CODE	HOTEL MODE ?	REMARKS TYPICAL FOR THIS SOFTWARE	REPLACED BY	
								IDENT	SERVICE CODE
N8	2US1 (/17)	From week 0126	SAA5677HL/M1	EM12U1_2.0_03251	3104 317 03251	No		EM12U1_2.1_03291	3104 317 03291
N8	2US1 (/17)	From week 0132	SAA5677HL/M1	EM12U1_2.1_03291	3104 317 03291	No		EM12U1_2.2_03391	3104 317 03391
N8	2US1 (/17)	From week 0135	SAA5677HL/M1	EM12U1_2.2_03391	3104 317 03391	No		EM12U1_3.0_03801	3104 317 03801
N8	2US1 (/17)	From week 0212	SAA5677HL/M1	EM12U1_3.0_03801	3104 317 03801	No			
N8 (Design Line)	3US1 (/17)	From week 0140	SAA5677HL/M1	EM13U1_1.3_03461	3104 317 03461	No			
P8	4US1 (/17)	From week 0220	SAA5677HL/M1	EM14U1_2.0_04001	3104 317 04001	No			
EM1*	FBX	From week 0007		EMG_REP1_02221	3104 317 42221	No			
EM1*	FBX	From week 0012		EMG_REP2_02341	3104 317 42341	No			
EM1*	FBX	From week 0027		EMG_REP3_02491	3104 317 42491	No			
EM1L, EM1A, NTSC	FBX	From week 0042		EMG_RMERGE1_02741	3104 317 42741	No	For EM1A: use 3104 317 42991. For EM1L and EM1A-NTSC: use 3104 317		
EM1A	FBX	From week 0112		EMG_RMERGE2_02981	3104 317 42981	No			
N8, P8	FBX			EMG_RMERGE3_03241	3104 317 43241	No			
EM2E	UP	Production start		EM2E1_1.0_02211	9965 000 07280	No	Solution for: EPG problem. Wrong surround-mode indication, blank & mute at start-up, MSP option string adapted for introduction of DBE.		9965 000 07280
EM2E	UP	From week 0014		EM2E1_1.1_02331	9965 000 07280	No			9965 000 07280
EM2E	UP	From week 0015		EM2E1_1.2_02371	9965 000 07280	No	Solution for: Vertical offset and squeeze problems.		9965 000 07280
EM2E	UP	From week 0016		EM2E1_1.3_02381	9965 000 07280	No	Acoustical settings FL12-cabinet added. Solution for: error with default objects, TXT2.5 problem in Germany.		9965 000 07280
EM2E	UP	From week 0021		EM2E1_1.4_02391	9965 000 07280	No	Solution for: Tuner_prot, HFB_prot and Flash_prot does not work. Wrong errorcode (5 iso 4) when no SV, EPG Dual Screen shifted too much upward.		9965 000 07280
EM2E	UP	From week 0025		EM2E1_1.5_02431	9965 000 07280	No	Solution for: Unpredictable start-up behaviour after STBY, Italian menu translation, Last status preset not recalled, Several EPG/TXT problem.		9965 000 07280
EM2E	UP	From week 0034		EM2E1_1.6_02521	9965 000 07280	No	Solution for: No wake-up via RC, Display of operation hours, DBE settings added, Separate IF AFC adjustment added for SECAM L, Problem with manual channel search, EPG32 hang-up, SW made compatible for HOP-N3		9965 000 07280
EM2E	UP	From week 0104		EM2E1_1.7_02531	9965 000 07280	No	Only for RF sets. Solution for: Blocked set going to TXT Dual Screen. Options adapted for Real Flat and acoustical settings added for FL9DAS and FL12RF.		9965 000 07280
EM2E	UP	From week 0116		EM2E1_1.8_02971	9965 000 07280	No	Only for RF sets. Solution for: Headphone volume problem, Hollow image in TXT-DS, Store LS vertical shift. Several improvements for channel search and ACL blanking in 4:3 mode.		
EM2E	UP	AG23 and higher, week 0119 and higher		EM2E1_1.9_03061	3104 317 03061	No	Only for RF sets. Solution for: Vertical shift problem and video more problem, 16/9 format (with WSS info) stored in NVM.	EM2E1_1.A_03221	3104 317 03221
EM2E	UP	From week 0203		EM2E1_1.A_03221	3104 317 03221	No	Reduced white level for TXT filter problem in OSD-MENU-TXT-EPG solved (incl. extra hardware). FBX software code added to Service menu. New acoustical settings added for Europe (due to new MSP). Separate 4:3 geometry alignments added in Service menu. Solution for 'hot centered TXT'.	EM2E1_1.B_03711	3104 317 03711
EM2E	UP	From week 0213		EM2E1_1.B_03711	3104 317 03711	No	Solution for microphony problem in 28" and 32" Mark II (= CRT) sets (reduced bass-settings).	EM2E1_1.C_03771	3104 317 03771
EM2E	UP	From week 0224		EM2E1_1.C_03771	3104 317 03771	No	HOP N3 software	EM2E1_1.D_04231	3104 317 04231
EM2E	UP	From week 0248		EM2E1_1.D_04231	3104 317 04231	No	Solution for: Intermittently sound appears 3 min. after video.		
EM2	FBX	Production start (0012)		EMG_REP2_02341	3104 317 42341	No		EMG_RMERGE2_02991	3104 317 42991
EM2	FBX	From week 0112		EMG_RMERGE2_02991	3104 317 42991	No			
EM3E	UP	Production start (0124)		EM3E1_1.0_03041	3104 317 03041	No		EM3E1_1.2-03311	3104 317 03311
EM3E	UP	Not used in production		EM3E1_1.1_03301	3104 317 03301	No			
EM3E	UP	From week 0133		EM3E1_1.2_03311	3104 317 03311	No	3V3 protection solution: counter increment. LS defects: skip two latest volume steps.	EM3E1_1.3-03431	3104 317 03431
EM3E	UP	From week 0137		EM3E1_1.3_03431	3104 317 03431	No	Two I2C-busses i.s.o. one. CSM-entry via 123654-code. Resetting error-buffer possible with 'DIAGNOSE-99'. TXT possible for Scandinavia.	EM3E1_1.4-03551	3104 317 03551
EM3E	UP	AG04 and higher, week 0207 and higher		EM3E1_1.4_03551	3104 317 03551	No	4:3 Geometry alignments. DNR in picture menu. Auto-surround ON/OFF in setup menu. Set typenumber in CSM.	EM3E1_1.5-03761	3104 317 03761
EM3E	UP	From week 0214		EM3E1_1.5_03761	3104 317 03761	No	Reveal button function for Zappra+.		
EM3E	UP	From week 0223		EM3E1_1.6_03991	3104 317 03991	No	Only in combination with FBX software 03951. Detection of HOP N3. Set PWL to 9 and S-correction to 12.		
EM3E	FBX	Production start (0106)		EMGS_RN_02951	3104 317 42951	No		EMGS_RNEEF1_03441	3104 317 43441
EM3E	FBX	From week 0142		EMGS_RNEEF1_03441	3104 317 43441	No	Solution for: Color problems in NTSC	EMGS_RNEEF1_03951	3104 317 43951

Software survey

SOFTWARE SURVEY									
CHASSIS	FAMILY	PRODUCTION CODE	uP TYPE/VERSION	IDENT	SERVICE CODE	HOTEL MODE ?	REMARKS TYPICAL FOR THIS SOFTWARE	REPLACED BY IDENT	SERVICE CODE
EM8E	FBX	From week 0223		EMG5_RNEF1_03951	3104 317 43951	No	Only in combination with set-software 03991. Detection of HOP N3. Set PVL to 9 and S-correction to 12		
EM5A-PAL MULTI	uP (57 /69 /79 /93)	Not used in production		EM5AP1_1.1_04091	3104 317 44091	No		EM5AP1_1.2_04141	3104 317 04141
EM5A-PAL MULTI	uP (57 /69 /79 /93)	Not used in production		EM5AP1_1.2_04141	3104 317 44141	No		EM5AP1_1.3_04171	3104 317 44171
EM5A-PAL MULTI	uP (57 /69 /79 /93)	Not used in production		EM5AP1_1.3_04171	3104 317 44171	No		EM5AP1_1.4_04191	3104 317 44191
EM5A-PAL MULTI	uP (57 /69 /79 /93)	From week 0237		EM5AP1_1.4_04191	3104 317 44191	No		EM5AP1_1.6_04271	3104 317 44271
EM5A-PAL MULTI	uP (57 /69 /79 /93)	From week 0243		EM5AP1_1.6_04271	3104 317 44271	No			
EM5A-NTSC	uP (61 /71)	Production start (0106)		EM5AN1_1.0_04061	3104 317 44061	No			
EM5E	uP (05 /12)	From week 0220		EM5EU1_1.0_03871	3104 317 43871	No		EM5EU1_1.1_03941	3104 317 43941
EM5E	uP (05 /12)	From week 0221		EM5EU1_1.1_03941	3104 317 43941	No	Solution for: Hang-up problems after navigating in sound menu. Remaining black bar after zoom in TXT-DS. Not centered TXT. CompPair accessment of NVM into EPG-networks not limited correctly to presets.	EM5EU1_1.2_04021	3104 317 44021
EM5E	uP (05 /12)	From week 0223		EM5EU1_1.2_04021	3104 317 44021	No	Solution for: Unwanted toggle function of TXT/DW key (picture -> TXT/DW -> TXT -> TXT/DW -> etc).	EM5EU1_1.3_04031	3104 317 44031
EM5E	uP (05 /12)	From week 0224		EM5EU1_1.3_04031	3104 317 44031	No	Solution for: Picture not unblanked and set not responding at start-up from semi-sby. In Home-Cinema config, there is no sound when 'child lock' is activated. Shown frequency gives 5MHz deviation. Bad sound (de)mute during preset change. EPG 'recorder downloading' does not work on all presets.	EM5EU1_1.4_04111	3104 317 44111
EM5E	uP (05 /12)	Production start (0240)		EM5EU1_1.4_04111	3104 317 44111	No			
EM5E	uP (05 /12)	AG02, from week 0244		EM5EU1_2.3_04181	3104 317 44181	No	New: Alignments and Options must be 'stored' before leaving SAM (not valid for USA). Solution for: Several TXT problems, EPG hang-ups, Permanent OSD.	EM5EU1_2.3_04181	3104 317 44181
EM5E-DVD	uP (12)	Not used in production		EM5EU1_2.0_04041	3104 317 44041	No			
EM5E-DVD	uP (12)	Not used in production		EM5EU1_2.1_04071	3104 317 44071	No			
EM5E-DVD	uP (12)	Production start		EM5EU1_2.2_04081	3104 317 44081	No		EM5EU1_2.3_04181	3104 317 44181
EM5E-DVD	uP (12)	AG02, from week 0248		EM5EU1_2.3_04181	3104 317 44181	No	New: Alignments and Options must be 'stored' before leaving SAM (not valid for USA). Solution for: Several TXT problems, EPG hang-ups, Permanent OSD.		
R8 (EM5U)	uP (17)	From week 0221		EM5US_1.0_04011	3104 317 44011	No			
EM5A, EM5E, R8	FBX	From week 0221		EMG2_RE1F2_03381	3104 317 43381	No			
EM5E-DVD	FBX	From week 0225		EMG2_RNEF2_03701	3104 317 43701	No	Solution for: Bad display of non-interlaced signals ABAB mode.		
F21RE	Ebox-SSP EUJAP			F21RE1_1.0_V00247	3122 357 40247			F21RE1_1.1_V00248	3122 357 40248
F21RE	Ebox-SSP EUJAP			F21RE1_1.1_V00248	3122 357 40248			F21RE1_1.2_V00341	3122 357 40341
F21RE	Ebox-SSP EUJAP			F21RE1_1.2_V00341	3122 357 40341			F21RE1_1.5_V00342	3122 357 40342
F21RE	Ebox-SSP EUJAP			F21RE1_1.5_V00342	3122 357 40342			F21RE1_1.6_V00343	3122 357 40343
F21RE	Ebox-SSP EUJAP			F21RE1_1.6_V00343	3122 357 40343		This software can handle monitors of FTV1.9, FM23, FM24 and FM25. For monitor FTV1.9 also the jumper on the AV-interface has to be set accordingly. This software has a build-in monitor auto-detection system for the FM23, FM24 and FM25. For this the jumpers on the AV-interface has to be set for FM23 and the monitor type option (NVM) also has to be set to FM23.	F21RE1_1.7_V00344	3122 357 40344
F21RE	Ebox-SSP EUJAP			F21RE1_1.7_V00344	3122 357 40344		Solution for set switching off and on.		
F21RU	Ebox-SSP USA			F21RU1_1.1_00362F21RE1	3122 357 40362			F21RU1_1.1_00362F21RE1	3122 357 40362
F21RU	Ebox-SSP USA			F21RU1_1.1_00362	3122 357 40362			F21RU1_1.2_00364	3122 357 40364
F21RU	Ebox-SSP USA			F21RU1_1.2_00364	3122 357 40364			F21RU1_1.3_00365	3122 357 40365
F21RU	Ebox-SSP USA			F21RU1_1.3_00365	3122 357 40365			F21RU1_1.4_00366	3122 357 40366
F21RU	Ebox-SSP USA			F21RU1_1.4_00366	3122 357 40366			F21RU1_1.8_00368	3122 357 40368
F21RU	Ebox-SSP USA			F21RU1_1.8_00368	3122 357 40368		This software can handle monitors of FTV1.9, FM23, FM24 and FM25. For monitor FTV1.9 also the jumper on the AV-interface has to be set accordingly. This software has a build-in monitor auto-detection system for the FM23, FM24 and FM25. For this the jumpers on the AV-interface has to be set for FM23 and the monitor type option (NVM) also has to be set to FM23.		
F21RE	Ebox-AV interface enhanced				3122 357 40391				
F21RE	Ebox-FBX			V1.3	3122 357 40134			X6F2V13_V1.3	3122 357 40234
F21RE	Ebox-FBX			X6F2V13_V1.4	3122 357 40234			X6F2V13_V1.4	3122 357 40235

Software survey

SOFTWARE SURVEY									
CHASSIS	FAMILY	PRODUCTION CODE	uP TYPE/VERSION	IDENT	SERVICE CODE	HOTEL MODE ?	REMARKS TYPICAL FOR THIS SOFTWARE	REPLACED BY IDENT	SERVICE CODE
FM23/FM24	Monitor-OTC basic	AG89 and higher		FM23GB-1.1-00272	3122 357 00272			FM23GB-1.3-00274	3122 357 00274
FM23/FM24	Monitor-OTC basic			FM23GB-1.2-00273	3122 357 00273			FM23GB-1.3-00274	3122 357 00274
FM23/FM24	Monitor-OTC basic			FM23GB-1.3-00274	3122 357 00274			FM23GB-1.4-00275	3122 357 00275
FM23/FM24	Monitor-OTC basic			FM23GB-1.5-00275	3122 357 00275			-	-
FM23/FM24	Monitor-OTC enhanced			FM23GE-1.4-00381	3122 357 00381			-	-
FM23/FM24	Monitor-OTC enhanced			FM23GE-1.4-00382	3122 357 00382			-	-
FM23/FM24	Monitor-P.W.			FM23GB-1.2-00263	3122 357 00263			FM23GB-1.3-00264	3122 357 00264
FM23/FM24	Monitor-P.W.			FM23GB-1.2-00264	3122 357 00264			FM23GB-1.2-00265	3122 357 00265
FM23/FM24	Monitor-P.W.			FM23GB-1.2-00265	3122 357 00265			FM23GB-1.5-00267	3122 357 00267
FM23/FM24	Monitor-P.W.			FM23GA-1.5-00267	3122 357 00267			FM23GB-17-00269	3122 357 00269
FM23/FM24	Monitor-P.W.			FM23GA-17-00269	3122 357 00269			-	-
FM23/FM24	Monitor-P.W.			FM23GA-17-00421	3122 357 00421			-	-
FM23/FM24	Monitor-EPLD basic			FM23GB1000023	3122 357 00283			FM23GB2400024	3122 357 00284
FM23/FM24	Monitor-EPLD basic			FM23GB2400024	3122 357 00284			FM23GB2400025	3122 357 00285
FM23/FM24	Monitor-EPLD basic			FM23GB2400025	3122 357 00285			-	-
FM23/FM24	Monitor-EPLD enhanced			FM23GB2400041	3122 357 00401			FM23GB2400402	3122 357 00402
FM23/FM24	Monitor-EPLD enhanced			FM23GB2400402	3122 357 00402			FM23GB2400403	3122 357 00403
FM23/FM24	Monitor-EPLD enhanced			FM23GB2400403	3122 357 00403			-	-
FM23/FM24	Monitor-DDC 7904				3122 357 00301				
FM23/FM24	Monitor-DDC 7907				3122 357 00311				
FM23/FM24	Monitor-DDC DVI 7215				3122 357 00371				
FTV1.9DE	Monitor	Start production	EPC1441 PC8	F19DW2.0_00071	3122 357 40021	No	PDP-Limesco position 7357	F19DW2.0_00074	3122 357 40024
FTV1.9DE	Monitor	AG01 and higher	EPC1441 PC8	F19DW2.0_00072	3122 357 40022	No	PDP-Limesco position 7357	F19DW2.0_00074	3122 357 40024
FTV1.9DE	Monitor	AG02 and higher, week 9948 and higher	EPC1441 PC8	F19DW2.0_00074	3122 357 40024	No	PDP-Limesco position 7357, introduction Y/C panel - not in TV configuration	F19DW2.0_00075	3122 357 40025
FTV1.9DE	Monitor	AG06 and higher, week 0018 and higher	EPC1441 PC8	F19DG11.0_00131	3122 357 40081	No	PDP-Limesco position 7357 - only in TV-configuration		
FTV1.9DE	Monitor		EPC1441 PC8	F19DW2.0_00075	3122 357 40025	No	PDP-Limesco position 7357 - introduction SW for Monitor- & TV-configuration		
FTV1.9DE	Monitor	Start production	PC87C695AER/C1	F19DE11.1_00062	3122 357 40042	No	MUP Panel .1 version - position 7001	F19DE12.0_00063	3122 357 40043
FTV1.9DE	Monitor	AG02 and higher, week 9948 and higher	PC87C695AER/C1	F19DE12.0_00063	3122 357 40043	No	MUP Panel .2 version - position 3018 added - to be used with PDP-OTP 3122 357 40024	F19DE12.1_00064	3122 357 40044
FTV1.9DE	Monitor	From week 9950 and higher	PC87C695AER/C1	F19DE12.1_00064	3122 357 40044	No	Only for monitors - to be used with PDP OTP 3122 357 40024, improvement of Y/C jitter with NTSC	F19DE12.1_00065	3122 357 40045
FTV1.9DE	Monitor	AG06 and higher, week 0018 and higher	PC87C695AER/C1	F19DE12.1_00065	3122 357 40045	No	Introduction SW for Monitor- & TV-config. SW withoptimummers for Y/C board and sound enable available	F19DE14.0_00066	3122 357 40046
FTV1.9DE	Monitor	AG07 and higher, week 0027 and higher	PC87C695AER/C1	F19DE14.0_00066	3122 357 40046	No	Update for Marantz & 16:9 aspect ratio		
FTV1.9DE	Monitor	AG07 and higher, week	PC87C695AER/C1	F19DE15.0_00068	3122 357 40048	No			
FTV1.9DE	Monitor		PC87C695AER/C1	F19DE15.0_00411	9965 000 14396	No	Service solution: L2 5 is switched off		
FTV1.9DE	Monitor	Production start (9935)	M24C16-BN6	EAROM_00091	3122 357 40051	No	AVC position 7400	EAROM_00092	3122 357 40052
FTV1.9DE	Monitor	From week 9948	M24C16-BN6	EAROM_00092	3122 357 40052	No	AVC position 7400 - AG02 code - introduction Y/C panel	EAROM_00095	3122 357 40055
FTV1.9DE	Monitor	From week 0018	M24C16-BN6	EAROM_00095	3122 357 40055	No	AVC position 7400 - AG06 code - introduction SW for Monitor- & TV-config.		
FTV1.9EE	E-Box, FBX4		87CG654-4B44	FBX4 V1.5	3104 317 01211	No		FTV1.9_00112	3122 357 40062
FTV1.9EE	E-Box, FBX6		M27C512-90-C1	FTV1.9_00111	3122 357 40061	No		FTV1.9_00112	3122 357 40062
FTV1.9EE	E-Box, FBX6		M27C512-90-C1	FTV1.9_00112	3122 357 40062	No			
FTV1.9EE	E-Box/FBX4 - West Europe	Start production	M27C801-100F1	F19EE11.2_00052	3122 357 40032	No		F19EE11.3_00054	3122 357 40034
FTV1.9EE	E-Box/FBX4 - West Europe	AG01 and higher, week 9948 and higher	M27C801-100F1	F19EE11.2_00053	3122 357 40033	No		F19EE11.3_00054	3122 357 40034
FTV1.9EE	E-Box/FBX4 - West Europe	AG02 and higher, week 0018 and higher	M27C801-100F1	F19EE11.3_00054	3122 357 40034	No	Solved switching problem between ZCS and NICAM	F19EE4.0_00055	3122 357 40035
FTV1.9EE	E-Box/FBX6 - West Europe		M27C801-100F1	F19EE4.0_00055	3122 357 40035	No	SSP position 7202 - /12S /19S /58S		
FTV1.9EE	E-Box/FBX6 - East Europe		M27C801-100F1	F19EC4.1_00201	3122 357 40111	No	SSP position 7202 - /58S		

Software survey

SOFTWARE SURVEY

CHASSIS	FAMILY	PRODUCTION CODE	uP TYPE/VERSION	IDENT	SERVICE CODE	HOTEL MODE ?	REMARKS TYPICAL FOR THIS SOFTWARE	REPLACED BY	
								IDENT	SERVICE CODE
FTV1.9EE	E-Box/FBX6 - West Europe		M27C801-100F1	F19E4.1_00211	3122 357 40121	No	SSP position 7202 - /12S & /19S		
FTV1.9EE	E-Box - USA		M27C801-100F1	F19EU12.0_00141	3122 357 40071	No	To be used in combination with monitor software from AG06	F19EU12.1_00143	3122 357 40073
FTV1.9EE	E-Box - USA		M27C801-100F1	F19EU12.0_00142	3122 357 40072	No	To be used in combination with monitor software from AG06	F19EU12.1_00143	3122 357 40073
FTV1.9EE	E-Box - USA	AG03 and higher, week 0022 and higher	M27C801-100F1	F19EU12.1_00143	3122 357 40073	No	To be used in combination with monitor software from AG06 - unwanted sound muting solved	F19EU14.1_00144	3122 357 40074
FTV1.9EE	E-Box - USA	Week 0040 and higher	M27C801-100F1	F19EU14.1_00144	3122 357 40074	No			
FTV1.9EE	E-Box - AP		M27C801-100F1	F19EA13.0_00161	3122 357 40091	No		F19EA14.1_00163	3122 357 40093
FTV1.9EE	E-Box - AP		M27C801-100F1	F19EA14.1_00163	3122 357 40093	No			
FTV1.9EE	E-Box - Marantz		M27C801-100F1	F19EM14.1_00181	3122 357 40101	No		F19EM14.1_00182	3122 357 40102
FTV1.9EE	E-Box - Marantz		M27C801-100F1	F19EM14.1_00182	3122 357 40102	No			
L01.1A	/71, /67, NTSC, text	Wk146	TDA9588H/13/0408	TDA9588_L01AC11.5	9352 694 11567			TDA9588_L01AC11.9	9352 716 28557
L01.1A	/71, /97, NTSC, text	Wk217	TDA9588H/13/0835	TDA9588_L01ACT11.9	9352 716 28557				
L01.1A	/67, /74, multi	Wk127	TDA9586H/13/0401	TDA9586_L01AN21.0	9352 694 03557			TDA9586_L01AN22.2	9352 707 03557
L01.1A	/67, /74, multi	Wk146	TDA9586H/13/0627	TDA9586_L01AN22.2	9352 707 03557			TDA9586_L01AN22.7	9352 716 31557
L01.1A	/67, /74, multi	Wk245	TDA9586H/13/0829	TDA9586_L01AN22.7	9352 716 31557				
L01.1A	/57, /68, /69, /73, /79, multi, 10p text	Wk145	TDA9565H/14	TDA9565_L01AT11.3	9352 685 11557			TDA9565_L01AT11.6	9352 683 77557
L01.1A	/57, /68, /69, /73, /79, multi, 10p text	Wk125	TDA9565H/14/0378	TDA9565_L01AT11.6	9352 693 77557			TDA9565_L01AT12.4	9352 707 07557
L01.1A	/57, /68, /69, /73, /79, multi, 10p text	Wk146	TDA9565H/14/0631	TDA9565_L01AT12.4	9352 707 07557			TDA9565_L01AT12.9	9352 715 99557
L01.1A	/57, /68, /69, /73, /79, multi, 10p text	Wk245	TDA9565H/14/0803	TDA9565_L01AT12.9	9352 715 99557				
L01.1A	Middle East - 10 Page Text		TDA9565H/14	TDA9565_L01AT21.0	9352 685 11557			TDA9565_L01AT21.2	9352 683 78557
L01.1A	/56, /65, multi, 10p text	Wk127	TDA9565H/14/0379	TDA9565_L01AT21.2	9352 693 78557			TDA9565_L01AT22.4	9352 707 10557
L01.1A	/56, /65, multi, 10p text	Wk146	TDA9565H/14/0634	TDA9565_L01AT22.4	9352 707 10557			TDA9565_L01AT22.6	9352 716 00557
L01.1A	/56, /65, multi, 10p text	Wk245	TDA9565H/14/0804	TDA9565_L01AT22.8	9352 716 00557				
L01.1A	/1V, /67, /68, /69, /73, /93, /94, PAL/SECAM/NTSC	Wk145	TDA9555H/13	TDA9555_L01HA11.4	9965 000 14523				
L01.2A	/59, /69, /79, /93, /94, PAL/SECAM/NTSC, 1p text	Wk145	TDA952H/13	TDA952_L01HA11.4	9965 000 14513				
L01.2A	/59, /79, PAL/SECAM/NTSC	Wk125	TDA9581H/13/0392	TDA9581_L01AN11.7	9352 693 94557			TDA9581_L01AN12.2	9352 706 99557
L01.2A	/59, /79, PAL/SECAM/NTSC	Wk146	TDA9581H/13/0623	TDA9581_L01AN12.2	9352 706 99557				
L01.2A	/59, /79, PAL/SECAM/NTSC	Wk245	TDA9581H/13/0823	TDA9581_L01AN13.1	9352 716 24557				
L01.2A	/67, PAL/SECAM/NTSC	Wk127	TDA9581H/13/0393	TDA9581_L01AN21.0	9352 693 95557			TDA9581_L01AN22.2	9352 707 01557
L01.2A	/67, PAL/SECAM/NTSC	Wk146	TDA9581H/13/0625	TDA9581_L01AN22.2	9352 707 01557			TDA9581_L01AN22.7	9352 716 25557
L01.2A	/67, PAL/SECAM/NTSC	Wk245	TDA9581H/13/0824	TDA9581_L01AN22.7	9352 716 25557				
L01.2A	/67, /74, PAL/SECAM/NTSC	Wk127	TDA9582H/13/0396	TDA9582_L01AN21.0	9352 693 98557			TDA9582_L01AN22.2	9352 707 02557
L01.2A	/67, /74, PAL/SECAM/NTSC	Wk146	TDA9582H/13/0626	TDA9582_L01AN22.2	9352 707 02557			TDA9582_L01AN22.7	9352 716 27557
L01.2A	/67, /74, PAL/SECAM/NTSC	Wk245	TDA9582H/13/0826	TDA9582_L01AN22.7	9352 716 27557				
L01.2A	/57, /68, /69, /79, PAL/SECAM/NTSC, 10p text	Wk125	TDA9567H/14/0382	TDA9567_L01AT11.6	9352 693 81557			TDA9567_L01AT12.4	9352 707 08557
L01.2A	/57, /68, /69, /79, PAL/SECAM/NTSC, 10p text	Wk146	TDA9567H/14/0632	TDA9567_L01AT12.4	9352 707 08557			TDA9567_L01AT12.9	9352 716 05557
L01.2A	/57, /68, /69, /79, PAL/SECAM/NTSC, 10p text	Wk245	TDA9567H/14/0809	TDA9567_L01AT12.9	9352 716 05557				

Software survey

SOFTWARE SURVEY									
CHASSIS	FAMILY	PRODUCTION CODE	iP TYPE/VERSION	IDENT	SERVICE CODE	HOTEL MODE ?	REMARKS TYPICAL FOR THIS SOFTWARE	REPLACED BY	
								IDENT	SERVICE CODE
L01:2A	/57, /68, /69, /79, PAL/SECAM/NTSC, 10p text	Wk125	TDA9561HN1/4/0373	TDA9561_L01AT11.6	9352 693 6857			TDA9561_L01AT12.4	9352 707 37557
L01:2A	/57, /68, /69, /79, PAL/SECAM/NTSC, 10p text	Wk146	TDA9561HN1/4/0630	TDA9561_L01AT12.4	9352 707 37557			TDA9561_L01AT12.9	9352 715 97557
L01:2A	/57, /68, /69, /79, PAL/SECAM/NTSC, 10p text	Wk245	TDA9561HN1/4/0801	TDA9561_L01AT12.9	9352 715 97557			-	-
L01:2A	/59, /65, PAL/SECAM/NTSC, 10p	Wk127	TDA9561HN1/4/0374	TDA9561_L01AT21.2	9352 693 6957			TDA9561_L01AT22.4	9352 707 09557
L01:2A	/59, /65, PAL/SECAM/NTSC, 10p	Wk146	TDA9561HN1/4/0633	TDA9561_L01AT22.4	9352 707 09557			TDA9561_L01AT22.8	9352 715 98557
L01:2A	/59, /65, PAL/SECAM/NTSC, 10p	Wk245	TDA9561HN1/4/0802	TDA9561_L01AT22.8	9352 715 98557			-	-
L01:2A	/59, /65, PAL/SECAM/NTSC, 10p	Wk127	TDA9567HN1/4/0383	TDA9567_L01AT21.2	9352 693 82557			TDA9567_L01AT22.4	9352 707 11557
L01:2A	/59, /65, PAL/SECAM/NTSC, 10p	Wk146	TDA9567HN1/4/0635	TDA9567_L01AT22.4	9352 707 11557			TDA9567_L01AT22.8	9352 716 04557
L01:2A	/59, /65, PAL/SECAM/NTSC, 10p	Wk245	TDA9567HN1/4/0808	TDA9567_L01AT22.8	9352 716 04557			-	-
L01:2A	/71, PAL/NTSC	Wk146	TDA9580HN1/3/0388	TDA9580_L01AC11.5	9352 693 90557			TDA9580_L01AC11.9	9352 716 23557
L01:2A	/71, PAL/NTSC	Wk217	TDA9580HN1/3/0822	TDA9580_L01AC11.9	9352 716 23557			-	-
L01:2A	Middle East, Pakistan, S.Africa, Zimbabwe - No Text	Wk146	TDA9581HN1/3/0629	TDA9582_L01AN92.2	9352 707 05557			TDA9582_L01AN92.7	9352 716 26557
L01:2A	Middle East, Pakistan, S.Africa, Zimbabwe - No Text	Wk245	TDA9581HN1/3/0825	TDA9582_L01AN92.7	9352 716 26557			-	-
L01:1E	West Europe - 10 Page Text	Wk120.2 or higher	TDA9565NT/5/0381	TDA9565_L01EF11.7	9352 693 80557			TDA9565_L01EF11.9	9352 698 96557
L01:1E	West Europe - 10 Page Text	Wk124.4 or higher	TDA9565NT/5/0466	TDA9565_L01EF11.9	9352 698 96557			-	-
L01:1E	West Europe - 10 Page Text	Wk140.3 or higher	TDA9565NT/5/0579	TDA9565_L01EF12.2	9352 704 32557			-	-
L01:1E	West Europe - 10 Page Text	Wk 221.1 or higher	TDA9565NT/5/0648	TDA9565_L01EF13.1	9352 707 67557		Main solved issues - NVM deprogramming, Erratic character in AV source, German translation correction (Incorrect)	TDA9565_L01EF13.6	9352 716 01557
L01:1E	West Europe - 10 Page Text	Wk221.4 or higher	TDA9565NT/5/0805	TDA9565_L01EF13.6	9352 716 01557			-	-
L01:1E	East Europe - 10 Page Text	Wk120.2 or higher	TDA9563HN1/5/0377	TDA9563_L01EF21.5	9352 693 76557			TDA9563_L01EF21.7	9352 698 98557
L01:1E	East Europe - 10 Page Text	Wk124.4 or higher	TDA9563HN1/5/0468	TDA9563_L01EF21.7	9352 698 98557			-	-
L01:1E	East Europe - 10 Page Text	Wk140.3 or higher	TDA9563HN1/5/0582	TDA9563_L01EF22.2	9352 704 35557			-	-
L01:1E	East Europe - 10 Page Text	Wk210 or higher	TDA9565HN1/5/0739	TDA9565_L01EF23.1	9352 712 22557		Main solved issues - NVM deprogramming, Erratic character in AV source, German translation correction (Incorrect)	-	-
L01:1E	East Europe - 10 Page Text	Wk236 or higher	TDA9565HN1/5/0806	TDA9565_L01EF23.6	9352 716 02557			-	-
L01:1E	West Europe - 1 Page Text	Wk150 or higher	TDA9555HN1/3/0687	TDA9555_L01ET01.1	9352 709 92557		Initial version	TDA9555_L01ET15.5	9352 712 25557
L01:1E	East Europe - 1 Page Text	Wk150 or higher	TDA9555HN1/3	TDA9555_L01ET19.1	9352 684 43557		Initial version	TDA9555_L01ET15.5	9352 712 25557
L01:1E	East/West Europe - 1 Page Text	Wk210 or higher	TDA9555HN1/3/0742	TDA9555_L01ET15.5	9352 712 25557		This version replace the both 3EU0 and 3EU0Main solved issues : NVM deprogramming, Erratic character in AV source	-	-
L01:1E	East/West Europe - 1 Page Text	Wk220 or higher	TDA9555HN1/3/0800	TDA9555_L01ET15.7	9352 715 96557			TDA9555_L01ET15.8	9352 725 46557
L01:1E	East/West Europe - 1 Page Text	Wk220 or higher	TDA9555HN1/3/1016	TDA9555_L01ET15.8	9352 725 46557			-	-
L01:1E	West Europe	Wk219 or higher	TDA9565HN1/5/0650	TDA9565_L01ED11.6	9352 707 69557		Initial version	TDA9565_L01ED11.7	9352 729 33557

Software survey

SOFTWARE SURVEY									
CHASSIS	FAMILY	PRODUCTION CODE	UP TYPE/VERSION	IDENT	SERVICE CODE	HOTEL MODE ?	REMARKS TYPICAL FOR THIS SOFTWARE	REPLACED BY IDENT	SERVICE CODE
L01.1E	West Europe	Wk226 or higher	TDA9565H/N1/5/0082	TDA9565_L01ED11.7	9352 729 33557				
L01.1E	SD3.1 application software	Wk246	AM29LV60DT-90SC	Version 4.17.11-1	9965 000 16406				
L01.1E	SD3.1 servo software	Wk246	AM29F002T	Version 5.1.14	3104 123 85860				
L01.1E	East Europe	Wk219 or higher	TDA9565H/N1/5/0922	TDA9565_L01ED21.6	9352 721 74557		Initial version	TDA9565_L01ED21.7	9352 729 32557
L01.1E	East Europe	Wk226 or higher	TDA9565H/N1/5/0081	TDA9565_L01ED21.7	9352 729 32557				
L01.1E	SD3.1 application software	Wk246	AM29LV60DT-90SC	Version 4.17.11-1	9965 000 16406				
L01.1E	SD3.1 servo software	Wk246	AM29F002T	Version 5.1.14	3104 123 85860				
L01.2E	West Europe - 10 Page Text	Wk120.2 or higher	TDA9567H/N1/5/0375	TDA9567_L01EF11.7	9352 693 74557			TDA9567_L01EF11.9	9352 698 97557
L01.2E	West Europe - 10 Page Text	Wk124.4 or higher	TDA9567H/N1/5/0467	TDA9567_L01EF11.9	9352 698 97557				
L01.2E	West Europe - 10 Page Text	Wk140.3 or higher	TDA9567H/N1/5/0578	TDA9567_L01EF12.2	9352 704 31557				
L01.2E	West Europe - 10 Page Text	Wk120.2 or higher	TDA9567H/N1/5/0385	TDA9567_L01EF11.7	9352 693 87557			TDA9567_L01EF11.9	9352 698 95557
L01.2E	West Europe - 10 Page Text	Wk124.4 or higher	TDA9567H/N1/5/0465	TDA9567_L01EF11.9	9352 698 95557				
L01.2E	West Europe - 10 Page Text	Wk140.3 or higher	TDA9567H/N1/5/0580	TDA9567_L01EF12.2	9352 704 33557				
L01.2E	West Europe - 10 Page Text	Wk 211.1 or higher	TDA9567H/N1/5/0651	TDA9567_L01EF13.1	9352 707 70557		Main solved issues: NVM deprogramming, Erratic character in AV source, German translation correction (Incorrect)		
L01.2E	West Europe - 10 Page Text	Wk221.4 or higher	TDA9567H/N1/5/0811	TDA9567_L01EF13.6	9352 716 07557				
L01.2E	East Europe - 10 Page Text	Wk120.2 or higher	TDA9567H/N1/5/0376	TDA9567_L01EF21.5	9352 693 75557			TDA9567_L01EF21.7	9352 698 95557
L01.2E	East Europe - 10 Page Text	Wk124.4 or higher	TDA9567H/N1/5/0469	TDA9567_L01EF21.7	9352 698 95557				
L01.2E	East Europe - 10 Page Text	Wk140.3 or higher	TDA9567H/N1/5/0581	TDA9567_L01EF22.2	9352 704 34557				
L01.2E	East Europe - 10 Page Text	Wk 211.1 or higher	TDA9567H/N1/5/0740	TDA9567_L01EF23.1	9352 712 23557			TDA9567_L01EF23.6	9352 716 08557
L01.2E	East Europe - 10 Page Text	Wk 221.1 or higher	TDA9567H/N1/5/0812	TDA9567_L01EF23.6	9352 716 08557				
L01.2E	West Europe - 1 Page Text		TDA9552H/N1/3/0668	TDA9552_L01ET01.1	9352 708 93557			TDA9552_L01ET15.1.5	9352 712 24557
L01.2E	East Europe - 1 Page Text		TDA9552H/N1/3	TDA9552_L01ET01.1	9352 683 40557			TDA9552_L01ET15.1.5	9352 712 24557
L01.2E	East/West Europe - 1 Page Text		TDA9552H/N1/3/0741	TDA9552_L01ET15.1.5	9352 712 24557				
L01.2E	East/West Europe - 1 Page Text		TDA9552H/N1/3/0799	TDA9552_L01ET15.1.7	9352 715 95557			TDA9552_L01ET15.1.8	9352 725 44557
L01.2E	East/West Europe - 1 Page Text		TDA9552H/N1/3/1015	TDA9552_L01ET15.1.8	9352 725 44557				
L01H.1A			TDA9555H/N1/3	L01HA1 1.4	9965 000 14523		OTP		
L01H.2A			TDA9552H/N1/3	L01HA1 1.4	9965 000 14513		OTP		
L01H.1E	EU	Wk234.1 or higher	TDA9555H/N1/3/0608	L01HE1 VER 1.0	9352 708 23557			L01HE1 VER 1.1	9352 722 11557
L01H.2E	EU	Wk234.1 or higher	TDA9555H/N1/3/0950	L01HE1 VER 1.1	9352 722 11557		No flyback line at start-up		
L01H.2E	EU	Wk234.1 or higher	TDA9552H/N1/3/0607	L01HE1 VER 1.0	9352 708 22557			L01HE1 VER 1.1	9352 722 10557
L01H.2E	EU	Wk234.1 or higher	TDA9552H/N1/3/0929	L01HE1 VER 1.1	9352 722 10557		No flyback line at start-up		
L6.1 AA	No TXT	9612		L6NOTXT-1.0		No		L6NOTXT-2.0	4822 209 13085
L6.1 AA	No TXT	9642		L6NOTXT-2.0	4822 209 13085	Yes	Only 3 keys styling		
L6.1 AA	No TXT	9726		L6NOTXT-2.1	4822 209 16933	Yes	Option 3/4 keys styling		
L6.1 and L6.2 AA	IP TXT Mono Europe	9625	SAAS2902P039	L6TXIMEU-1.0				L6TMOEU-1.1	4822 209 15954
L6.1 and L6.2 AA	IP TXT Mono Europe	9729	SAAS2902P072	L6TMOEU-1.1	4822 209 14646	Yes		L6TMOEU-1.1	4822 209 15954
L6.1 and L6.2 AA	IP TXT Mono Europe	9840	SAAS2902P126	L6TMOEU-1.2	4822 209 17409	Yes	Option 3/4 keys styling New M5A technology		

Software survey

SOFTWARE SURVEY

CHASSIS		FAMILY	PRODUCTION CODE	uP TYPE/VERSION	IDENT	SERVICE CODE	HOTEL MODE ?	REMARKS TYPICAL FOR THIS SOFTWARE	REPLACED BY IDENT	SERVICE CODE
L6.1 and L6.2 AA	1P TXT FLOF Mono Europe	9805	SAA5290P/S/093	L6M1FE-1.0			Yes		L6M1FE-1.1	4822 209 16832
L6.1 and L6.2 AA	1P TXT FLOF Mono Europe	9815	SAA5296P/S/113	L6M1FE-1.1			Yes	New M5A technology		
L6.1 and L6.2 AA	1P TXT Stereo 2CS	9642	SAA5290ZP/067	L6TXSITE-1.0			No	Only 3 keys styling		
L6.1 and L6.2 AA	1P TXT Nicam EUR	9642	SAA5290ZP/055	L6TXNIC-1.1			No	Only for 3 keys styling	L6TXNICU-1.1	4822 209 15955
L6.1 and L6.2 AA	1P TXT Nicam EUR	9729	SAA5290ZP/075	L6TXNICU-1.2			No	Option 3/4 keys styling		
L6.1 and L6.2 AA	1P TXT Mono Greek/Turk	9634	SAA5290ZP/050	L6TXIMEU-1.0			No	Only for 3 keys styling	L6TMOGT-1.1	4822 209 15962
L6.1 and L6.2 AA	1P TXT Mono Greek/Turk	9729	SAA5290ZP/074	L6MOGT-1.1			Yes	Option for 3/4 keys styling		
L6.1 and L6.2 AA	1P TXT Nicam Greek/Turk	9720	SAA5290ZP/070	L6TNICGT-1.1			No	Only for 3 keys styling		
L6.1 and L6.2 AA	1P TXT Nicam Greek/Turk	9729	SAA5290ZP/076	L6TNICGT-1.2			No	Option for 3/4 keys styling		
L6.1 and L6.2 AA	1P TXT Mono Cyrillic	9722	SAA5290ZP/040	L6TMOCCY-1.0			Yes	Only for 3 key styling		
L6.1 and L6.2 AA	1P TXT Mono Cyrillic	9729	SAA5290ZP/073	L6TMOCCY-1.1			Yes	Option for 3/4 keys styling	L6TMOCCY-1.1	4822 209 15961
L6.3 AA	10P TXT Europe Nicam	9819	SAA5290ZP/095	L6N10E-1.0			No	2 scarts		
L6.3 AA	10P TXT Europe Nicam	9835	SAA5290ZP/217	L6N10E-1.1			No	ESD and searching speed impr.		
L6.3 AA	10P TXT Europe Nicam		SAA5290ZP/219	L6N10E-2.0			No	2 scarts multi-system (OEM)		
L9.1A / L9.2A	Non-Text (English, Malay, S)	Wk904.1 or higher	SAA5542P/S/M2/017	L90AN1-1.0			No	Only suitable in combination with ST24W08CB1 (4822 209 13052)	L90AN1-1.1	9352 640 98112
L9.1A / L9.2A	Non-Text (English, Malay, S)	Wk927.2 or higher	SAA5542P/S/M2/060	L90AN1-1.1			No	Only suitable in combination with ST24W08CB1 (4822 209 13052)	L90AN1-1.1	9352 645 12112
L9.1A / L9.2A	Non-Text (English, Malay, S)	Wk936.5 or higher	SAA5542P/S/M2/1060	L90AN1-1.1			No	Only suitable in combination with ST24W08CB1 (4822 209 13052)	L90AN1-1.3	9352 669 24112
L9.1A / L9.2A	Non-Text (English, Malay, S)	Wk951.4 or higher	SAA5542P/S/M4/161	L90AN1-1.3			No		N.A.	N.A.
L9.1A / L9.2A	Non-Text (English, Arabic)	Wk928.5 or higher	SAA5542P/S/M2/065	L90AN2-1.0			No	Only suitable in combination with ST24W08CB1 (4822 209 13052)	L90AN2-1.0	9352 663 69112
L9.1A / L9.2A	Non-Text (English, Arabic)	Wk939.5 or higher	SAA5542P/S/M4/1065	L90AN2-1.0			No	Only suitable in combination with ST24W08CB1 (4822 209 13052)	L90AN2-1.2	9352 673 23112
L9.1A / L9.2A	Non-Text (English, Arabic)	Wk008.5 or higher	SAA5542P/S/M4/199	L90AN2-1.2			No		N.A.	N.A.
L9.1A / L9.2A	Non-Text (English, Thai)	Wk915.5 or higher	SAA5542P/S/M2/042	L90AN3-1.0			No	Only suitable in combination with ST24W08CB1 (4822 209 13052)	L90AN3-1.1	9352 637 12112
L9.1A / L9.2A	Non-Text (English, Thai)	Wk930.5 or higher	SAA5542P/S/M2/072	L90AN3-1.1			No	Only suitable in combination with ST24W08CB1 (4822 209 13052)	L90AN3-1.1	9352 642 25112
L9.1A / L9.2A	Non-Text (English, Thai)	Wk939.5 or higher	SAA5542P/S/M4/1072	L90AN3-1.1			No	Only suitable in combination with ST24W08CB1 (4822 209 13052)	L90AN3-1.1	9352 653 71112
L9.1A / L9.2A	Non-Text (English, Thai)	Wk944.1 or higher	SAA5542P/S/M4/136	L90AN3-1.2			No	Only suitable in combination with ST24W08CB1 (4822 209 13052)	L90AN3-1.2	9352 664 04112
L9.1A / L9.2A	Non-Text (English, Thai)	Wk011.5 or higher	SAA5542P/S/M4/204	L90AN3-1.3			No	Only suitable in combination with ST24W08CB1 (4822 209 13052)	L90AN3-1.3	9352 674 90112
L9.1A / L9.2A	Non-Text (English, Thai)	Wk015.1 or higher	SAA5542P/S/M4/213	L90AN3-1.4			No		N.A.	N.A.
L9.1A / L9.2A	Non-Text (English, Hindi)	Wk914.3 or higher	SAA5542P/S/M2/040	L90AN4-1.1			No	Only suitable in combination with ST24W08CB1 (4822 209 13052)	L90AN4-1.1	9352 636 65112
L9.1A / L9.2A	Non-Text (English, Hindi)	Wk936.5 or higher	SAA5542P/S/M2/1040	L90AN4-1.1			No	Only suitable in combination with ST24W08CB1 (4822 209 13052)	L90AN4-1.2	9352 645 14112
L9.1A / L9.2A	Non-Text (English, Hindi)	Wk952.4 or higher	SAA5542P/S/M4/164	L90AN4-1.2			No		N.A.	N.A.
L9.1A / L9.2A	Text 10 page (English)	Wk904.1 or higher	SAA5563P/S/M2/018	L90AT1-1.0			No	Only suitable in combination with ST24W08CB1 (4822 209 13052)	L90AT1-1.1	9352 641 78112
L9.1A / L9.2A	Text 10 page (English)	Wk929.3 or higher	SAA5563P/S/M2/068	L90AT1-1.1			No	Only suitable in combination with ST24W08CB1 (4822 209 13052)	L90AT1-1.1	9352 645 11112
L9.1A / L9.2A	Text 10 page (English)	Wk936.5 or higher	SAA5563P/S/M3/1068	L90AT1-1.1			No	Only suitable in combination with ST24W08CB1 (4822 209 13052)	L90AT1-1.3	9352 673 21112
L9.1A / L9.2A	Text 10 page (English)	Wk008.5 or higher	SAA5563P/S/M3/190	L90AT1-1.3			No		N.A.	N.A.
L9.1A / L9.2A	Text 10 page (English)	Wk912.5 or higher	SAA5563P/S/M2/037	L90AT2-1.1			No	Only suitable in combination with ST24W08CB1 (4822 209 13052)	L90AT2-1.1	9352 636 28112
L9.1A / L9.2A	Text 10 page (English)	Wk919.5 or higher	SAA5563P/S/M2/049	L90AT2-1.1			No	Only suitable in combination with ST24W08CB1 (4822 209 13052)	L90AT2-1.2	9352 640 16112
L9.1A / L9.2A	Text 10 page (English)	Wk925.1 or higher	SAA5563P/S/M2/058	L90AT2-1.2			No	Only suitable in combination with ST24W08CB1 (4822 209 13052)	L90AT2-1.2	9352 653 80112
L9.1A / L9.2A	Text 10 page (English)	Wk939.5 or higher	SAA5563P/S/M3/1068	L90AT2-1.2			No	Only suitable in combination with ST24W08CB1 (4822 209 13052)	L90AT2-1.4	9352 673 22112
L9.1A / L9.2A	Text 10 page (English)	Wk008.5 or higher	SAA5563P/S/M3/192	L90AT2-1.4			No		N.A.	N.A.
L9.1A / L9.2A	NTSC - Taiwan & Philippines	Wk913.4 or higher	SAA5543P/S/M2/038	L90AC1-1.0			No	Only suitable in combination with ST24W08CB1 (4822 209 13052)	L90AC1-1.1	9352 639 94112
L9.1A / L9.2A	NTSC - Taiwan & Philippines	Wk923.5 or higher	SAA5543P/S/M2/054	L90AC1-1.1			No	Only suitable in combination with ST24W08CB1 (4822 209 13052)	L90AC1-1.2	9352 653 72112
L9.1A / L9.2A	NTSC - Taiwan & Philippines	Wk939.5 or higher	SAA5543P/S/M4/1054	L90AC1-1.2			No	Only suitable in combination with ST24W08CB1 (4822 209 13052)	L90AC1-1.4	9352 674 88112
L9.1A / L9.2A	NTSC - Taiwan & Philippines	Wk011.5 or higher	SAA5543P/S/M4/203	L90AC1-1.4			No		N.A.	N.A.
L9.1E / L9.2E	West Europe, Mono No Text	Wk908.5 or higher	SAA5542M2/028	L90EM1-1.0			Yes	Only suitable in combination with ST24W08CB1 (4822 209 13052)	L90EM1-1.5	9352 672 50112
L9.1E / L9.2E	West Europe, Mono No Text	Wk931.5 or higher	SAA5542M2/075	L90EM1-1.1			Yes	Only suitable in combination with ST24W08CB1 (4822 209 13052)	L90EM1-1.5	9352 672 50112
L9.1E / L9.2E	West Europe, Mono No Text	Wk938.5 or higher	SAA5542M2/120	L90EM1-1.2			Yes	Only suitable in combination with ST24W08CB1 (4822 209 13052)	L90EM1-1.5	9352 672 50112

Software survey

SOFTWARE SURVEY									
CHASSIS	FAMILY	PRODUCTION CODE	uP TYPE/VERSION	IDENT	SERVICE CODE	HOTEL MODE ?	REMARKS TYPICAL FOR THIS SOFTWARE	REPLACED BY IDENT	SERVICE CODE
L9.1E / L9.2E	West Europe, Mono No Text	WK939.5 or higher	SAA5542M4/120	L90EM1-1.2	9352 655 21112	Yes	Only suitable in combination with ST24W08CB1 (4822 209 13052)	L90EM1-1.5	9352 672 50112
L9.1E / L9.2E	West Europe, Mono No Text	WK007.3 or higher	SAA5542M4/186	L90EM1-1.4	9352 672 50112	Yes		L90EM1-1.5	9352 672 50112
L9.1E / L9.2E	West Europe, Mono No Text	WK007.3 or higher	SAA5542M4/186	L90EM1-1.5	9352 672 50112	Yes	When the front cinch is plugged out, the TV automatically switches to the corresponding scart.	N.A.	N.A.
L9.1E / L9.2E	West Europe, Mono/Stereo	WK908.5 or higher	SAA5560M2/023	L90ET1-1.1	9352 634 40112	Yes	Only suitable in combination with ST24W08CB1 (4822 209 13052)	L90ET1-1.2	9352 640 13112
L9.1E / L9.2E	West Europe, Mono/Stereo	WK924.3 or higher	SAA5560M2/057	L90ET1-1.2	9352 640 13112	Yes	Only suitable in combination with ST24W08CB1 (4822 209 13052)	L90ET1-1.4	9352 645 57112
L9.1E / L9.2E	West Europe, Mono/Stereo	WK937.1 or higher	SAA5560M2/095	L90ET1-1.3	9352 645 57112	Yes	Only suitable in combination with ST24W08CB1 (4822 209 13052)	L90ET1-1.4	9352 663 77112
L9.1E / L9.2E	West Europe, Mono/Stereo	WK939.5 or higher	SAA5560M3/1095	L90ET1-1.4	9352 653 77112	Yes	Only suitable in combination with ST24W08CB1 (4822 209 13052)	L90ET1-1.6	9352 672 88112
L9.1E / L9.2E	West Europe, Mono/Stereo	WK008.1 or higher	SAA5560M3/188	L90ET1-1.6	9352 672 88112	Yes	Issues solved: Decoding of TV Polonia clock of the format HMM:SS (leading space instead of leading 0) before 1000 hours is supported. - Set goes into Compare mode only after video appears when AS-OFF. - When the user switches manually to AV, the statuses of Pin 8 transitions on both scart are ignored. New: - Improve NICAM reception algorithm, by auto forcing NICAM sound to mono on - Overvoltage trigger is disabled (Bimos PRD) for at least 120ms after power on. - Access to SDM during cold start by shorting Pin 1 of EEPROM ST24W0x is removed. Shorting of Pin 20 of Painter (P0.6 for LED) during cold start will cause the software to enter SDM instead of SAM. (One can later toggle between SAM and SDM by pressing the local keys V. & P. simultaneously; this is an existing feature.) This change is to allow alternative types and sources of EEPROM to be used. (since L90ET1-1.5)	N.A.	N.A.
L9.1E / L9.2E	5p-ht								
L9.1E / L9.2E	West Europe, Mono/Stereo	WK902.5 or higher	SAA5564M2/015	L90EF1-1.2	9352 631 78112	Yes	Only suitable in combination with ST24W08CB1 (4822 209 13052)	L90EF1-1.3	9352 634 42112
L9.1E / L9.2E	West Europe, Mono/Stereo	WK908.5 or higher	SAA5564M2/025	L90EF1-1.3	9352 634 42112	Yes	Only suitable in combination with ST24W08CB1 (4822 209 13052)	L90EF1-1.5	9352 639 79112
L9.1E / L9.2E	West Europe, Mono/Stereo	WK923.2 or higher	SAA5564M2/062	L90EF1-1.5	9352 639 79112	Yes	Only suitable in combination with ST24W08CB1 (4822 209 13052)	L90EF1-1.7	9352 645 56112
L9.1E / L9.2E	West Europe, Mono/Stereo	WK934.5 or higher	SAA5564M2/094	L90EF1-1.7	9352 645 56112	Yes	Only suitable in combination with ST24W08CB1 (4822 209 13052)	L90EF1-1.7	9352 653 78112
L9.1E / L9.2E	West Europe, Mono/Stereo	WK939.5 or higher	SAA5564M3/1094	L90EF1-1.7	9352 653 78112	Yes	Only suitable in combination with ST24W08CB1 (4822 209 13052)	L90EU31 6.21	9352 000 05400
L9.1E / L9.2E	West Europe, Mono/Stereo	WK948.4 or higher	SAA5564M3/181	L90EU31 6.21	9352 672 22112	Yes	see remarks L90ET1-1.6	L90ET1-1.9	9352 672 22112
L9.1E / L9.2E	West Europe, Mono/Stereo	WK006.5 or higher	SAA5564M3/181	L90ET1-1.9	9352 672 22112	Yes		N.A.	N.A.
L9.1E / L9.2E	East Europe, Mono No Text	WK908.5 or higher	SAA5542M2/027	L90EM2-1.0	9352 634 44112	Yes	Only suitable in combination with ST24W08CB1 (4822 209 13052)	L90EM2-1.1	9352 642 42112
L9.1E / L9.2E	East Europe, Mono No Text	WK931.5 or higher	SAA5542M2/074	L90EM2-1.1	9352 642 42112	Yes	Only suitable in combination with ST24W08CB1 (4822 209 13052)	L90EM2-1.1	9352 663 68112
L9.1E / L9.2E	East Europe, Mono No Text	WK939.5 or higher	SAA5542M4/1074	L90EM2-1.1	9352 653 68112	Yes	Only suitable in combination with ST24W08CB1 (4822 209 13052)	L90EM2-1.3	9352 672 49112
L9.1E / L9.2E	East Europe, Mono No Text	WK007.3 or higher	SAA5542M4/185	L90EM2-1.3	9352 672 49112	Yes		L90EM2-1.4	9352 672 49112
L9.1E / L9.2E	East Europe, Mono No Text	WK007.3 or higher	SAA5542M4/185	L90EM2-1.4	9352 672 49112	Yes	see remarks L90EM1-1.5	N.A.	N.A.
L9.1E / L9.2E	East Europe, Mono/Stereo	WK908.5 or higher	SAA5560M2/024	L90ET2-1.0	9352 634 41112	Yes	Only suitable in combination with ST24W08CB1 (4822 209 13052)	L90ET2-1.2	9352 639 96112
L9.1E / L9.2E	East Europe, Mono/Stereo	WK923.5 or higher	SAA5560M2/056	L90ET2-1.2	9352 639 96112	Yes	Only suitable in combination with ST24W08CB1 (4822 209 13052)	L90ET2-1.2	9352 663 79112
L9.1E / L9.2E	East Europe, Mono/Stereo	WK939.5 or higher	SAA5560M3/1056	L90ET2-1.2	9352 653 79112	Yes	Only suitable in combination with ST24W08CB1 (4822 209 13052)	L90ET2-1.4	9352 672 87112
L9.1E / L9.2E	East Europe, Mono/Stereo	WK008.1 or higher	SAA5560M3/187	L90ET2-1.4	9352 672 87112	Yes	Issues solved: - Set IIT DC, MCH register to ON always. - Status of Scart2 is not read when option 2X-OFF. This eliminates the need to ground. - When the user press the up/down arrow key (and provided that the 16:9/4:3 feature is available), monitoring the voltage level on scart pin 8 for change in aspect ratio is stopped. - Keep AFC window large for N2 Bimos TDA884x when not in automanual search. - Set goes into Compare mode only after video appears when AS-OFF. - When the user switches manually to AV, the statuses of Pin 8 transitions on both scart are ignored. New: - Improve NICAM reception algorithm, by auto forcing NICAM sound to mono on. - Disable overvoltage trigger (Bimos PRD) for at least 120ms after power on. - Access to SDM during cold start by shorting Pin 1 of EEPROM ST24W0x is removed. Shorting of Pin 20 of Painter (P0.6 for LED) during cold start will cause the software to enter SDM instead of SAM. (One can later toggle between SAM and SDM by pressing the local keys V. & P. simultaneously; this is an existing feature.)	N.A.	N.A.
L9.1E / L9.2E	5p-ht								
L9.1E / L9.2E	East Europe, Mono/Stereo	WK908.5 or higher	SAA5564M2/016	L90EF2-1.0	4822 209 17468	Yes	Only suitable in combination with ST24W08CB1 (4822 209 13052)	L90EF2-1.1	9352 634 43112
L9.1E / L9.2E	East Europe, Mono/Stereo	WK908.5 or higher	SAA5564M2/026	L90EF2-1.1	9352 634 43112	Yes	Only suitable in combination with ST24W08CB1 (4822 209 13052)	L90EF2-1.3	9352 639 96112
L9.1E / L9.2E	East Europe, Mono/Stereo	WK923.5 or higher	SAA5564M2/055	L90EF2-1.3	9352 639 96112	Yes	Only suitable in combination with ST24W08CB1 (4822 209 13052)	L90EF2-1.3	9352 645 10112
L9.1E / L9.2E	East Europe, Mono/Stereo	WK939.5 or higher	SAA5564M3/1095	L90EF2-1.3	9352 645 10112	Yes	Only suitable in combination with ST24W08CB1 (4822 209 13052)	L90EF2-1.5	9352 672 23112
L9.1E / L9.2E	East Europe, Mono/Stereo	WK006.5 or higher	SAA5564M3/182	L90EF2-1.5	9352 672 23112	Yes	See remarks L90ET2-1.4	N.A.	N.A.
L9.1L / L9.2L		WK906.3 or higher	SAA5543P-S/M2/019	L90LS1-1.0	4822 209 17542		CC Mono/Stereo (English, Portuguese, Spanish)	L90LS1-1.1	9352 642 32112

Software survey

SOFTWARE SURVEY

CHASSIS	FAMILY	PRODUCTION CODE	UP TYPE/VERSION	IDENT	SERVICE CODE	HOTEL MODE ?	REMARKS TYPICAL FOR THIS SOFTWARE	REPLACED BY IDENT	SERVICE CODE
L9.1L/L9.2L	Wk931.1 or higher	Wk931.1 or higher	SAA5543P/S/M2/073	L90LS1-1.1	9352 642 32112	No	CC Mono/Stereo (English, Portuguese, Spanish)	L90LS1-1.2	9352 653 75112
L9.1L/L9.2L	Wk939.5 or higher	Wk939.5 or higher	SAA5543P/S/M4/1073	L90LS1-1.2	9352 653 75112	No	CC Mono/Stereo (English, Portuguese, Spanish)	L90LS1-1.3	9352 672 35112
L9.1L/L9.2L	Wk007.3 or higher	Wk007.3 or higher	SAA5543P/S/M4/183	L90LS1-1.3	9352 672 35112	No	CC Mono/Stereo (English, Portuguese, Spanish)	N.A.	N.A.
L9.1L/L9.2L	Wk007.3 or higher	Wk007.3 or higher	SAA5543P/S/M4/183	L90LS1-1.4	9352 672 35112	No	CC Mono/Stereo (English, Portuguese, Spanish)	N.A.	N.A.
L9.3	Wk109.5 or higher	Wk109.5 or higher	SAA5565P/S/M3/0244	NV1 EU_V1.2	9352 672 26112	No		n.a.	n.a.
L9H.1A/L9H.2A	version PAL (New Zealand only)	version PAL (New Zealand only)	SAA5533P/S/M4	version 1.6	9965 000 10922	No	OTP		
L9H.1A/L9H.2A	R, Y and Z versions PAL	R, Y and Z versions PAL	SAA5533P/S/M4	163 (version 2.5)	9352 669 51112	No	OTP	version 2.6	9965 000 05974
L9H.1A/L9H.2A	R, Y and Z versions PAL	R, Y and Z versions PAL	SAA5533P/S/M4	version 2.6	9965 000 05974	No	OTP		
L9H.1E AA	System	week 0016 or higher	SAA5560P/S/M3	L9HES-1.2	3119 100 50841	Yes	OTP	L9HES-1.5	9965 000 10620
L9H.1E AA	System	week 0016 or higher	SAA5560P/S/M3	L9HES-1.3	3119 100 50871	Yes	OTP	L9HES-1.5	9965 000 10620
L9H.1E AA	System	week 0040 or higher	SAA5560P/S/M3	L9HES-1.5	9965 000 10620	Yes	OTP Canal + adaptation		
L9H.2E AA	System	week 0016 or higher	SAA5560P/S/M3	L9HES-1.2	3119 100 50841	Yes	OTP	L9HES-1.5	9965 000 10620
L9H.2E AA	System	week 0040 or higher	SAA5560P/S/M3	L9HES-1.3	3119 100 50871	Yes	OTP	L9HES-1.5	9965 000 10620
L9H.2E AA	System	week 0040 or higher	SAA5560P/S/M3	L9HES-1.5	9965 000 10620	Yes	OTP Canal + adaptation		
L9H.2E AA	System	week 0016 or higher	SAA5563P/S/M3	L9HEP-1.2	3119 100 50861	Yes	OTP	L9HEP-1.8	9965 000 08070
L9H.2E AA	System	week 0040 or higher	SAA5563P/S/M3	L9HEP-1.4	3119 100 50911	Yes	OTP	L9HEP-1.8	9965 000 08070
L9H.2E AA	System	week 0040 or higher	SAA5533P/S/M4	L9HEP-1.5	3119 100 50991	Yes	OTP Canal + adaptation		
L9H.2E AA	System	week 0108 or higher	SAA5533P/S/M4	L9HEP-1.6	3119 100 51081	Yes	OTP Several modifications	L9HEP-1.8	9965 000 08070
L9H.2E AA	System	week 0145 or higher	SAA5533P/S/M4	L9HEP-1.8	9965 000 08070	Yes	OTP Start pin 8 active in commercial mode		
L9H.2E AA	System	week 0016 or higher	SAA5560P/S/M3	L9HES-1.2	3119 100 50841	Yes	OTP	L9HES-1.5	9965 000 10620
L9H.2E AA	System	week 0040 or higher	SAA5560P/S/M3	L9HES-1.3	3119 100 50871	Yes	OTP	L9HES-1.5	9965 000 10620
L9H.2E AA	System	week 0040 or higher	SAA5560P/S/M3	L9HES-1.5	9965 000 10620	Yes	OTP Canal + adaptation		
MG1.1E	CL4	Start production		MG11E11.0_02101	3104 317 42101	No		MG11E11.1_02201	3104 317 42201
MG1.1E	CL4	Week 9950 and higher		MG11E11.1_02201	3104 317 42201	No	Solved: Operation hours not correct, NVM : Prevent writing of Vloope = 0, System French changes to West Europe after search, change noise reduction parameters for auto TV, Nr of favourites can be 100, I.s.o. 99		
MG1.1E	CL4			MG11E11.2_02271	3104 317 42271	No	Solved: Fixed AFC value is used when SECCAM L is detected, right status detection with VCR, EPG works properly with Nextview 1.3, new volume table for Europe EDRLC-sets		
MG2.1E		Start production		MG21E11.0_01471	-	No		MG21E11.0_01501	4822 900 11275
MG2.1E		Week 9839 and higher		MG21E11.0_01501	-	No	M6 problem solved, paneltest problem solved, secam correction with VCR introduced, service stepwise control, seconds problem in clock extraction solved	MG21E11.0_01561	4822 900 11275
MG2.1E	CL1	Week 9844 and higher		MG21E11.0_01561	-	No	See table 4	MG21E11.3_01611	4822 900 11275
MG2.1E	CL1	Week 9851 and higher		MG21E11.3_01611	-	No	See table 5	MG21E11.5_01861	4822 900 11275
MG2.1E	CL1	Week 9915 and higher		MG21E11.5_01861	-	No		MG21E11.7_01941	4822 900 11275
MG2.1E	CL1	Week 9915 and higher		MG21E11.7_01941	-	No	Stereo detection problem and blocking of teletext on some transmitters solved	MG21E11.8_02191	4822 900 11275
MG2.1E	CL1	Week 9950 and higher, only for service		MG21E11.8_02191	-	No	Half TXT pages on ITV, Operation hours not correct, problem with Belgian subtitles, CNI code of ZDF not recognised, NVM : Prevent writing of Vloope = 0 and suddenly switching preset is solved	MG21E11.9_02401	4822 900 11275
MG2.1E	CL1	Week 0018 and higher, only for service		MG21E11.9_02401	4822 900 11275	No	Solved: hang-ups in TXT 2.5 on SW3, EPG works properly with nextview link 1.3, wrong status detection with VR969 and VR960		
MG2.1E		Start production		MG21A11.0_01571	-	No		MG21A11.6_01901	4822 900 11324
MG2.1E	CL1 China (29DS100/93)	Start production		MG21A11.6_01901	4822 900 11324	No			
MG2.1E	CL1 China (29DS100/93)	Week 9915 and higher		MG21A11.6_01901	4822 900 11324	No			
MG2.1E	CL2A	Start production		MG21E11.0_01591	-	No		MG21E12.2_01851	4822 900 11326
MG2.1E	CL2A	Week 9913 and higher		MG21E12.0_01821	-	No		MG21E12.2_01851	4822 900 11326
MG2.1E	CL2A	Week 9914 and higher		MG21E12.2_01851	-	No		MG21E12.3_01871	4822 900 11326
MG2.1E	CL2A	Week 9915 and higher		MG21E12.2_01871	-	No	Solution for EPG standby	MG21E12.3_01931	4822 900 11326
MG2.1E	CL2A	Week 9920 and higher		MG21E12.3_01931	-	No	Solution for loud volume at startup, noise (together with FBX 01911, TXT acquisition, stereo detection	MG21E12.4_01961	4822 900 11326
MG2.1E	CL2A	Week 9922 and higher		MG21E12.4_01961	-	No	Solved: blocking of teletext on some transmitters	MG21E12.5_02181	4822 900 11326
MG2.1E	CL2A	Week 9950 and higher, only for service		MG21E12.5_02181	-	No	Half TXT pages on ITV, Operation hours not correct, problem with Belgian subtitles, CNI code of ZDF not recognised, NVM : Prevent writing of Vloope = 0 and Suddenly switching preset is solved	MG21E12.6_02411	4822 900 11326

Software survey

SOFTWARE SURVEY

CHASSIS	FAMILY	PRODUCTION CODE	UP TYPE/VERSION	IDENT	SERVICE CODE	HOTEL MODE ?	REMARKS TYPICAL FOR THIS SOFTWARE	REPLACED BY	
								IDENT	SERVICE CODE
MG2.1E	CL2A	Week 0018 and higher, only for service		MG21E12.6_02411	4822 900 11326	No	Solved: hang-ups in TXT 2.5 on SW3. EPG works properly with nextview link 1.3, wrong status detection with VR969 and VR960, hang-ups due to EPG 2c3	-	-
MG2.1E	FBX CL1+2A	Start production		R3_5V1B (01751)	-	No		R3_6V1B (01791)	4822 900 11276
MG2.1E	FBX CL1+2A	Week 9912 and higher		R3_8V1B (01791)	-	No		R3_8V1B (01831)	4822 900 11276
MG2.1E	FBX CL1+2A	Week 9914 and higher		R3_10V1B (01831)	-	No		R3_10V1B (01881)	4822 900 11276
MG2.1E	FBX CL1+2A	Week 9915 and higher		R3_12V1B (01911)	-	No	Horizontal shift problem solved	R3_12V1B (01911)	4822 900 11276
MG2.1E	FBX CL1+2A	Week 9920 and higher		R3_15V2A (02131)	4822 900 11327	No	Can only be used with SAA4978HV1 or SAA4978HV102	R3_15V2A (02131)	3104 317 42131
MG2.1E	FBX CL1+2A	Week 99 and higher			3104 317 42131	No			-
MG2.1E	CL1+2A	AG/QG10 and higher.		MG21E13.0_01991	3104 317 41991	No	Production start	MG21E13.1_02091	3104 317 02091
MG2.1E	CL1+2A	AG/QG10 and higher, week 9944 and higher		MG21E13.1_02091	3104 317 02091	No	HOP N2C compatible, EPG improvement. Mute on headphone with blue mute when starting up on noise, no automatic subpage is solved, no subtitle when going out of TXT is solved	MG21E13.2_02171	3104 317 42171
MG2.1E	CL1+2A	AG/QG10 and higher, week 0010 and higher		MG21E13.2_02171	3104 317 42171	No	Prevent writing of V-slope=0, operating hours are correct after 128 hours, fixed AFC value is used when SECAM 'L' is detected, right status detection with VCR. EPG works properly with Nextview 1.3, new volume table for Europe EDRIIC-seis	MG21E13.3_02311	3104 317 42311
MG2.1E	CL1+2A	AG/QG11 and higher, week 0020 and higher		MG21E13.3_02311	3104 317 42311	No	Option codes change due to Acoustic system (cabinets). Solutions for: small black bars in TXT, for EPG 2C3, freeze overruled after blackbar detection, hangups in level 2.5.TXT	MG21E13.5_02591	3104 317 42591
MG2.1E	CL1+2A	Not used in production		MG21E13.4_02321	3104 317 42321	No	Not used in production	MG21E13.5_02591	3104 317 42591
MG2.1E	CL1+2A	AG/QG11 and higher, week 0041 and higher		MG21E13.5_02591	3104 317 42591	No	Solved: 3SA i.s.o. 3SAT in EPG screen, timer problem New Zealand, change of take-over point between MSP and EDRIIC from +11 to 00B, centration of TX1, IF AFC adjustment for SECAM 'L', service entry with normal remote possible, subtitle offset on/off possible at auto format, autodetection of HOP N3 possible, option added for one point control	-	-
MG2.1E	FBX CL1+2A	FBX: AG/QG10 and higher		R3_13V2A (01920)	3104 317 41921	No		R3_15V2A (02130)	3104 317 42131
MG2.1E	FBX CL1+2A	FBX: AG/QG10 and higher		R3_15V2A (02130)	3104 317 42131	No	SECAM notch active in FBX at SECAM	T3_17V2A	9965 000 06621
MG2.1E	FBX CL1+2A			T3_17V2A	9965 000 06621	No	Solution for picture instability with digital decoders and DVD	-	-
MG3.1A	CL5B	Start production		MG31A11.0_02061	3104 317 42061	No	Not used in production	MG31E11.1_02111	3104 317 42111
MG3.1A	CL5B	Week 9941 and higher		MG31A11.1_02111	3104 317 42111	No	Used in production for -57/69/93	MG31E11.2_02121	3104 317 42121
MG3.1A	CL5B	Week 9943 and higher		MG31A11.2_02121	3104 317 42121	No	TXT problem solved, can be used in all sets	MG31E11.3_02151	3104 317 42151
MG3.1A	CL5B	Week 0001 and higher		MG31A11.3_02151	3104 317 42151	No	Flashing when LNA switched off is solved, power picture can be stored, translations corrected, plops are solved, change mute behaviour rear AV's, prevent writing of V-slope = 0.	MG31A11.4_02251	3104 317 42251
MG3.1A	CL5B	Week 0014 and higher		MG31A11.4_02251	3104 317 42251	No	Solved: Give name list distorted (reshuffle), power picture is YES and should be NO, OSD sound muted when volume minimum, Nr of favourites can be 100 i.s.o. 99	MG31A11.5_02261	3104 317 42261
MG3.1A	CL5B	Week 0023 and higher		MG31A11.5_02261	3104 317 42261	No	Solved: No dual I/II possible with DK, AFC and AGC of PIP can't be stored, power picture changes to YES, add subtitle offset on/off at auto format, introduction of frame rotation, TXT software error when default object not found	MG31A11.7_02861	3104 317 42861
MG3.1A	CL5B	Week 0032 and higher		MG31A11.6_02761	3104 317 42761	No	Solved: no check for ACI during 2nd band search, Auto installation; correct the TV-system during the second pass, rotation coil can be selected when 4:3 tube is selected, no horizontal disturbance in the right screen of VDS, no progressive scan if option on, 1050/1250	MG31A11.7_02861	3104 317 42861
MG3.1A	CL5B	Week 0105 and higher		MG31A11.7_02861	3104 317 42861	No	Solved: 1250i mode resets autoformat, 1250i scanning mode added, no 1050i selectable if PIP is on, 1250i mode if left when TXT is left, no menu available if subtitle is on, store vertical shift as last status	MG31A11.8_02981	3104 317 42981
MG3.1A	CL5B	Week 0124 and higher		MG31A11.8_02981	3104 317 42981	No	Solved: unstable PIP picture with POPOV N2, some lines of FLOF are not blanked in TXT level 2.5	MG31A11.9_04221	3104 317 44221
MG3.1A	CL5B	Not used in production		MG31A11.9_04221	3104 317 44221	No	Solved: delay of 2 to 6 minutes before sound appears	-	-
MG3.1E/A/UMG4.1E	FBX: CL2B	Start production		R4_1 (01970)	3104 317 41971	No		R4_2 (02000)	3104 317 42001
MG3.1E/A/UMG4.1E	FBX	Week 9927 and higher		R4_2 (02000)	3104 317 42001	No	Solved: problem with stable OSD and 60Hz still picture, filters when freeze is	R4_3 (02010)	3104 317 02011
MG3.1E/A/UMG4.1E	FBX	Week 9929 and higher		R4_3 (02010)	3104 317 02011	No	Solved: autoformat does not always see the lowest black bar, SECAM cross-colour triggers the FILM mode when even only a VIDEO signal is applied	R4_4 (02050)	3104 317 42071
MG3.1E/A/UMG4.1E	FBX France	Only France: WK 9938 and higher		R4_4 (02050)	3104 317 42051	No	Solved: vertical jitter after swap Double Window, stable OSD in progressive between FILM 32 and UNKNOWN mode	R4_5 (02240)	3104 317 42241
MG3.1E/A/UMG4.1E	FBX	Week 9940 and higher		R4_5 (02070)	3104 317 42071	No	Solved: during irregular phases stripes are visible, jump of several lines	R4_6 (02240)	3104 317 42241
MG3.1E/A/UMG4.1E	FBX	Week 0006 and higher		R4_6 (02240)	3104 317 42241	No		R4_7 (02350)	3104 317 42351

Software survey

SOFTWARE SURVEY

CHASSIS	FAMILY	PRODUCTION CODE	UP TYPE/VERSION	IDENT	SERVICE CODE	HOTEL MODE ?	REMARKS TYPICAL FOR THIS SOFTWARE	REPLACED BY	
								IDENT	SERVICE CODE
MG3.1E/A/J/MG4.1E	FBX	Week 0016 and higher		R4_7 (02350)	3104 317 42351	No	Solved: problems with playlist, non-interlaced input gives a jump in the picture when going into FILM-mode	R4_8 (02420)	3104 317 42421
MG3.1E/A/J/MG4.1E	FBX	Week 0018 and higher		R4_8 (02420)	3104 317 42421	No	Solved: CTI shows sometimes jitter in DW application, AR busy/hangup during	R4_10 (02681)	3104 317 42681
MG3.1E/A/J/MG4.1E	FBX	Week 0042 and higher		R4_10 (02681)	3104 317 42681	No	Not used in production	R4_11 (02831)	3104 317 42831
MG3.1E/A/J/MG4.1E	FBX	Week 0104 and higher		R4_11 (02831)	3104 317 42831	No	Solved: 1050i mode resets autoformat	R4_12 (02901)	3104 317 42901
MG3.1E/A/J/MG4.1E	FBX	Week 0110 and higher		R4_12 (02901)	3104 317 42901	No	Solved: set goes in protection during ACI, quiet is not always detected on DVD still pictures, it takes too long before quiet mode is activated in progressive	R4_13 (03091)	3104 317 43091
MG3.1E/A/J/MG4.1E	FBX	Week 0126 and higher		R4_13 (03091)	3104 317 43091	No			
MG3.1E/MG7.1E	CL2B/CL6	Start production		MG31E11.0_01981	3104 317 41981	No			
MG3.1E/MG7.1E	CL2B/CL6	Week 9935 and higher		MG31E11.1_02031	3104 317 02031	No	HOP N2C compatible, Contrast adjusted with active control, active control has now: off, min, med, max. Austria is selectable in the 'country' menu, PIP solution	MG31E11.1_02031	3104 317 02031
MG3.1E/MG7.1E	CL2B/CL6	Only France: Week 9938 and higher		MG31E11.2_02041	3104 317 42041	No	Secam Notch-interface to FBX (only in -719 and -758, only used in 4/3 sets)	MG31E11.5_02161	3104 317 42161
MG3.1E/MG7.1E	CL2B/CL6	Week 9935 and higher		MG31E11.3_02081	3104 317 42081	No	Only used in non RF 16/9 sets. When used in 4/3 sets the PIP picture with PAL signal will be grey	MG31E11.5_02161	3104 317 42161
MG3.1E/MG7.1E	CL2B/CL6	Week 9946 and higher		MG31E11.4_02141	3104 317 42141	No	Used in 32" and 36" RF sets. Shift of TXT in 36" is solved	MG31E11.5_02161	3104 317 42161
MG3.1E/MG7.1E	CL2B/CL6	AG/OG01 and higher, week 0008 for xxPW9765 and week 0011 and higher for all other sets		MG31E11.5_02161	3104 317 42161	No	FBX on fast I2C bus, compatibility with Nextview 1.3, operation hours are correct, prevent overwriting of V-slope with 0, volume table for EDRIC sets has changed, fixed AFC value is used when secam L is detected. CompPair not working with this database.	MG31E11.6_02291	3104 317 42291
MG3.1E/MG7.1E	CL2B/CL6	AG/OG02 and higher, week 0020 and higher		MG31E11.6_02291	3104 317 42291	No	Option codes change due to Acoustic system (cabinets). Solutions for: small black bars in TXT, for EPG 2C3, freeze overruled after blackbar deletion, hangups in level 2.5 TXT, wrong status detection with VR969 and VR960, AFC and AGC of PIP and FDS can be stored via service menu (temporary 2 points must be connected) and CompPair tool works again.		3104 317 42301
MG3.1E/MG7.1E	CL2B/CL6	Not used in production		MG31E11.7_02301	3104 317 42301	No	Not used in production.	MG31E11.8_02361	3104 317 42361
MG3.1E/MG7.1E	CL2B/CL6	AG/OG02 and higher, week 0041 and higher		MG31E11.8_02361	3104 317 42361	No	Solved: 35A, i.s.o. 35AT in EPG screen, timer problem New Zealand, change of take-over point between MSP and EDRIC from +11 to 0dB, centration of TXT, IF AFC adjustment for SECAM L, service entry with normal remote possible, subtitle offset/on/off possible at auto format, auto-detection of HOP N3 possible, option for one point control added	MG31E11.9_02811	3104 317 42811
MG3.1E/MG7.1E	CL2B/CL6	Not used in production		MG31E11.9_02811	3104 317 42811	No	Only released for service, introduction picture tilt function for 4:3 sets		
MG3.1E/MG7.1E	CL2B/CL6	Not used in production		MG31E11.A_02851	3104 317 42851	No	Introduction for xxM sets, MG398+ improvements. Solved: headphones not right after scan/photofinish, 16/9 WSS format stored in NVM, change value anti-moire-parameters in PAL and Secam, selection of rotation coil is not possible when 4:3 tube is selected.		
MG3.1E/MG7.1E	CL2B/CL6	Not used in production		MG31E11.B_03501	3104 317 43501	No	Solve color-spots at start-up of the set (only for 29PT94.16 ⁰⁰⁸ sets). Raster deflection starts at 60 Hz, i.s.o. 50 Hz, in this way no interference with the degaussing coil is possible anymore.		
MG3.1U	CL8	Start production		MG31U11.0_02361	3104 317 42361	No		MG31U11.0_02461	3104 317 42461
MG3.1U	CL8	Week 0036 and higher		MG31U11.1_02461	3104 317 42461	No	Solved: protection when toggling between AV4 and a NTSC source, bad P+/P- behaviour	MG31U11.4_02541	3104 317 42541
MG3.1U	CL8	Not used in production		MG31U11.2_02501		No	Not used in production	MG31U11.4_02541	3104 317 42541
MG3.1U	CL8	Not used in production		MG31U11.3_02511		No	Not used in production	MG31U11.4_02541	3104 317 42541
MG3.1U	CL8	Week 0036 and higher		MG31U11.4_02541	3104 317 42541	No	When using Y/C input and status detection the viewmode is either 4:3 or widescreen, autoprogramming interrupted by demobanner of genistar, disable pop-up of virgin mode when the channelmap is empty, double height of OSD/Menu on AV4 when natural motion is OFF, G+ is switching off the colour enhancement, bad CC decoding	MG31U11.5_02551	3104 317 42551
MG3.1U	CL8	Week 0111 and higher		MG31U11.5_02551	3104 317 42551	No	Set does not start-up with blank NVM, surf key disabled when auto programming is in progress, cursor repositioning in zoom when frozen, right speaker icon not correct, natural motion display remains active after AV4 is selected with natural motion ON, bad view mode information in UI for AV4, panning disabled when picture frozen while zoom is on, change takeover point between MSP and EDRIC, no picture and no CC after startup, optimize pip3/pip8 settings, in CC text mode first character is missing, status info is not updated properly for alt audio, wide border around replay window when coming from 4:3		
MG3.1U	CL8			MG31U12.4_03021	3104 317 43021	No			
MG3.1U	CL8			MG31U12.5_03051	3104 317 43051	No		MG31U12.5_03051	3104 317 43051
MG3.1U	CL8			MG31U12.6_03081	3104 317 43081	No		MG31U12.6_03081	3104 317 43081
MG3.1U	CL8			MG31U12.7_03421	3104 317 43421	No		MG31U12.7_03421	3104 317 43421

Software survey

SOFTWARE SURVEY									
CHASSIS	FAMILY	PRODUCTION CODE	uP TYPE/VERSION	IDENT	SERVICE CODE	HOTEL MODE ?	REMARKS TYPICAL FOR THIS SOFTWARE	REPLACED BY IDENT	SERVICE CODE
MG3.1L	CL8			MG31L1_1.1_04241	3104 317 43421	No			
MG3.2E		Start production		MG32E11.0_03341	3104 317 43341	No		MG32E11.1_03541	3104 317 43541
MG3.2E		Week 0151 and higher		MG32E11.1_03541	3104 317 43541	No		MG32E11.2_03611	3104 317 43611
MG3.2E		Week 0205 and higher		MG32E11.2_03611	3104 317 43611	No			
MG3.2E		Week 0223 and higher		MG32E11.3_03981	3104 317 43981	No			
MG3.2E	FBX	Start production		RE1F2_04	3104 317 43531	No			
MG3.2E	FBX	Week 0211 and higher		RE1F2_05	3104 317 43691	No	Solved. Judder in scrolling TXT pictures, incorrect vertical border when compressing NTSC picture, simultaneous horizontal and vertical compression produces vertical shaking, more natural motion artifacts visible in Pal Pixelplus		
MG3.2E	FBX	Week 0218 and higher		RE1F2_06	3104 317 43681	No	Solved. A non interlaced signal is bad displayed in ABAB mode		
MG4.1E		Start production		MG41E11.0_02661	3104 317 42661	No		MG41E11.1_03031	3104 317 43031
MG4.1E		Week 0114 and higher		MG41E11.1_03031	3104 317 43031	No		MG41E11.2_03071	3104 317 43071
MG4.1E		Week 0121 and higher		MG41E11.2_03071	3104 317 43071	No	Sound settings adapted for 32"	MG41E11.3_03181	3104 317 43181
MG4.1E		Week 0131 and higher		MG41E11.3_03181	3104 317 43181	No	Set always starts up in Multimedia in digital		
MG5.1E	CL2A	Start production			3135 015 11541	No			
MG5.1E	CL2A	TD01 and higher		MG51E13.3_02071	3135 015 22061	No			

Model number survey

MODEL	STYLING	CHASSIS	RC	SYSTEM	SOUND	SIZE	VOL/RANGE	TUNER	OPTION CODES							
				P...=PAL S...=SECAM N...=NTSC	N...=NICAM F...=FM/AM	w/hxd (cm)			1 2 3	4	5	6	7	8		
14PT1346/01	357	L01.2E	RCLE012	P-BGDKI/S-BGDKLL'	MONO	50x74x46	220-240V	UV1317/A G-3	See sticker in set	0	194	209	9			
14PT1346/05	357	L01.2E	RCLE012	P-BGDK S-BGDK	MONO	50x74x46	220-240V	UV1317/A G-3	See sticker in set	0	194	80	9			
14PT1346/58	357	L01.2E	RCLE012	P-BGDKI/S-BGDKLL'	MONO	50x74x46	220-240V	UV1317/A G-3	See sticker in set	0	194	80	9			
14PT1356/01	365	L01.2E	RCLE012	P-BGDKI/S-BGDKLL'	MONO	38x38x38	220-240V	UV1317/A G-3	See sticker in set	0	194	209	9			
14PT1356/05	365	L01.2E	RCLE012	P-BGDK S-BGDK	MONO	38x38x38	220-240V	UV1317/A G-3	See sticker in set	0	194	209	9			
14PT1546/01	357	L01.2E	RCLE011	P-BGDKI/S-BGDKLL'	MONO	50x74x46	220-240V	UV1317/A G-3	See sticker in set	0	194	209	9			
14PT1556/01	365	L01.2E	RCLE011	P-BGDKI/S-BGDKLL'	MONO	38x38x38	220-240V	UV1317/A G-3	See sticker in set	0	194	209	9			
14PT1556/05	365	L01.2E	RCLE011	P-BGDKI/S-BGDKLL'	MONO	38x38x38	220-240V	UV1317/A G-3	See sticker in set	0	194	209	9			
14PT1556/21	365	L01.2E	RCLE011	P-BGDK S-BGDK	MONO	50x74x46	220-240V	UV1317/A G-3	See sticker in set	0	194	209	9			
14PT2001/59A	370	L01.2A	RC1935003/01	P-BGDK S-BGDKK1	MONO	44x44x45	90-276V	TEDE9-228B	0 215 65	65	0	194	80	9		
14PT2001/59B	370	L01.2A	RC1935003/01	P-BGDK S-BGDKK1	MONO	44x44x45	150-276V	TEDE9-228B	16 215 65	65	0	194	80	9		
14PT2001/65R	370	L01.2A	RC1935003/01	P-BGDK S-BGDKK1	MONO	44x44x45	150-276V	TEDE9-228B	0 215 65	65	0	194	209	9		
14PT2001/67R	370	L01.2A	RC1935003/01	P-BGDK S-BGDKK1	MONO	44x44x45	150-276V	TEDE9-228B	0 215 65	65	0	194	209	9		
14PT2001/71R	370	L01.2A	RC1935003/01	N-M/4.43(5.5)	MONO	44x44x45	150-276V	TEDE9-228B	0 215 65	65	0	194	209	4		
14PT2001/79R	370	L01.2A	RCLE011 S	P-BGDKI/S-BGDKLL'	MONO	44x44x45	150-276V	TEDE9-228B	0 215 65	65	0	194	209	11		
14PT2002/01	308	L01.2E	RCLE011 S	P-BGDKI/S-BGDKLL'	MONO	38x35x37	220-240V	UR1316R/A L-3	See sticker in set	0	210	209	4			
14PT2002/05	308	L01.2E	RCLE011 S	P-BGDK S-BGDK	MONO	38x35x37	220-240V	UR1316R/A L-3	See sticker in set	0	210	209	9			
14PT2002/58	308	L01.2E	RCLE011 S	P-BGDK S-BGDK	MONO	38x35x37	220-240V	UR1316R/A L-3	See sticker in set	0	210	209	9			
14PT2011/71R	371	L01.2A	RC1935003/01	N-M/4.43(5.5)	MONO	52x43x45	90-276V	TEDE9-228B	0 215 65	65	0	210	209	4		
14PT2012/59A	371	L01.2A	RC19042001/01	P-BGDK S-BGDKK1 N-4.43(6.5)	MONO	52x43x45	90-276V	TEDE9-228B	0 247 65	65	0	210	209	9		
14PT2012/59B	371	L01.2A	RC19042001/01	P-BGDK S-BGDKK1 N-4.43(6.5)	MONO	52x43x45	90-276V	TEDE9-228B	16 247 65	65	0	210	80	9		
14PT2012/59C	371	L01.2A	RC19042001/01	P-BGDK S-BGDKK1 N-4.43(6.5)	MONO	52x43x45	90-276V	TEDE9-228B	16 247 65	65	0	210	80	9		
14PT2012/65R	371	L01.2A	RC19042001/01	P-BGDKI/S-BGDKLL'	MONO	52x43x45	90-276V	TEDE9-228B	0 247 65	65	0	210	209	9		
14PT1610/00	298	TDV01.1E	RCLE015	F-G,MONO	F-G,MONO	39x39x39	90-276V	CTT5200E/CF7510	See sticker in set	0	180	152	0			
14PT1610/01	298	TDV01.1E	RCLE015	N-BGDKI/F-BG,MONO	F-G,MONO	39x39x39	90-276V	CTT5200E/CF7510	See sticker in set	0	180	152	0			
14PT1610/05	298	TDV01.1E	RCLE015	F-G,MONO	F-G,MONO	39x39x39	90-276V	CTT5200E/CF7510	See sticker in set	0	180	152	0			
14PT1610/58	298	TDV01.1E	RCLE015	F-G,MONO	F-G,MONO	39x39x39	90-276V	CTT5200E/CF7510	See sticker in set	0	180	152	0			
14RE1150/25R	321	L01.2U	RC1909802/01	N-M	B-DXB	56x48x51	90-140V	ENV56D9863	0 23 1	162	180	152	0			
14RE1150/25R	321	L01.2U	RC1909802/01	N-M	B-DXB	56x48x51	90-140V	ENV56D9863	16 23 1	162	180	152	0			
15PT1320/68A	321	L01.2A	RC19042001/01	P-BGDK S	MONO	56x48x51	150-278V	UV1366A/A G-3	160 247 65	65	0	82	147	44		
15PT1320/68B	321	L01.2A	RC19042001/01	P-BGDK S	MONO	56x48x51	150-278V	UV1366A/A G-3	176 247 65	65	0	82	147	41		
15PT1320/68C	321	L01.2A	RC19042001/01	P-Multi, N-M/3.58(4.5)	MONO	56x48x51	150-278V	UV1366A/A G-3	176 247 65	65	0	210	145	43		
15PT1320/68D	321	L01.2A	RC1935603/01	P-Multi, N-M/3.58(4.5)	AV, S, B, NICAM	56x48x51	150-278V	UV1366A/A G-3	160 247 65	65	0	210	145	43		
15PT1320/68E	321	L01.2A	RC1935603/01	P-Multi, N-M/3.58(4.5)	MONO	56x48x51	150-278V	TEDE9-200A	0 215 65	65	0	82	145	0		
15PT1320/79R	321	L01.2A	RC19042001/01	N-M/4.43(5.5)/4.43(6.5)	MONO	56x48x51	150-278V	UV1366A/A G-3	176 247 65	65	0	210	147	43		
15PT1320/71R	321	L01.2E	RCLE011	P-BGDKI/S-BGDKLL'	B-DXB, AV, S	56x48x51	90-276V	TEDE9-200A	160 215 65	65	0	210	147	43		
17PT1668/01	349	L01.2E	RCLE011	P-BGDKI/S-BGDKLL'	MONO	42x38x40	220-240V	TEDE9-004A	See sticker in set	0	194	80	9			
17PT1668/05	349	L01.2E	RCLE011	P-BGDKI/S-BGDKLL'	MONO	42x38x40	220-240V	TEDE9-004A	See sticker in set	0	194	209	9			
20PT1346/01	359	L01.2E	RCLE012	P-BGDKI/S-BGDK	MONO	52x50x49	220-240V	TEDE9-004A	See sticker in set	0	194	209	9			
20PT1546/01	359	L01.2E	RCLE011	P-BGDKI/S-BGDKLL'	MONO	52x50x49	220-240V	TEDE9-004A	See sticker in set	0	194	209	9			
20PT1546/05	359	L01.2E	RCLE012	P-BGDKI/S-BGDKLL'	MONO	52x50x49	220-240V	TEDE9-004A	See sticker in set	0	194	209	9			
20PT1546/58	359	L01.2E	RCLE011	P-BGDK S-BGDK	MONO	52x50x49	220-240V	TEDE9-004A	See sticker in set	0	194	209	9			
20PT2001/59A	373	L01.2A	RC1935003/01	P-BGDK S-BGDKK1 N-4.43(6.5)	MONO	61x56x55	90-276V	TEDE9-228B	0 215 65	65	0	194	80	9		
20PT2001/59B	373	L01.2A	RC1935003/01	P-BGDK S-BGDKK1 N-4.43(6.5)	MONO	61x56x55	150-276V	TEDE9-228B	16 215 65	65	0	194	209	9		
20PT2001/59C	373	L01.2A	RC1935003/01	P-BGDK S-BGDKK1 N-4.43(6.5)	MONO	61x56x55	150-276V	TEDE9-228B	16 215 65	65	0	194	209	9		
20PT2001/59S	373	L01.2A	RC1935003/01	P-BGDK S-BGDKK1 N-4.43(6.5)	MONO	61x56x55	150-276V	TEDE9-228B	0 215 65	65	0	194	209	9		
20PT2001/65R	373	L01.2A	RC1935003/01	P-BGDK S-BGDKK1 N-4.43(6.5)	MONO	61x56x55	150-276V	TEDE9-228B	0 215 65	65	0	194	209	9		
20PT2001/67R	373	L01.2A	RC1935003/01	N-M/4.43(5.5)/4.43(6.5)	MONO	61x56x55	150-276V	TEDE9-228B	0 215 65	65	0	194	209	9		
20PT2001/71R	373	L01.2A	RC1935003/01	P-BGDK S-BGDKK1 N-4.43(6.5)	MONO	61x56x55	150-276V	TEDE9-228B	0 215 65	65	0	194	209	11		
20PT2001/79R	372	L01.2A	RC1935003/01	P-BGDK S-BGDKK1 N-4.43(6.5)	MONO	61x56x55	90-276V	UV1366A/A G-3	160 215 65	65	0	210	209	4		
20PT2011/71R	372	L01.2A	RC1935003/01	N-M/4.43(5.5)/4.43(6.5)	MONO	61x56x55	90-276V	UV1366A/A G-3	160 215 65	65	0	210	209	4		
20PT2012/59A	372	L01.2A	RC19042001/01	P-BGDK S-BGDKK1 N-4.43(6.5)	MONO	61x56x55	90-276V	TEDE9-228B	0 247 65	65	0	210	209	9		
20PT2012/59B	372	L01.2A	RC19042001/01	P-BGDK S-BGDKK1 N-4.43(6.5)	MONO	61x56x55	90-276V	TEDE9-228B	16 247 65	65	0	210	209	9		
20PT2012/59C	372	L01.2A	RC19042001/01	P-BGDK S-BGDKK1 N-4.43(6.5)	MONO	61x56x55	90-276V	TEDE9-228B	16 247 65	65	0	210	209	9		
20PT2012/59S	372	L01.2A	RC19042001/01	P-BGDK S-BGDKK1 N-4.43(6.5)	MONO	61x56x55	90-276V	TEDE9-228B	0 247 65	65	0	210	209	9		
20PT2012/65R	372	L01.2A	RC19042001/01	P-BGDKI/S-BGDKLL' N-M/4.43(5.5)/4.43(6.5)	AV, S	61x56x55	90-276V	TEDE9-228B	0 247 65	65	164	242	209	44		
20PT2151/67R	372	L01.2A	RC1935003/01	P-BGDKI/S-BGDKK1 N-4.43(6.5)	AV, S	61x56x55	90-276V	TEDE9-228B	160 215 65	65	164	242	209	44		
20PT2151/71R	372	L01.2A	RC19042001/01	P-BGDKI/S-BGDKK1 N-M/4.43(5.5)/4.43(6.5)	AV, S	61x56x55	90-276V	TEDE9-228B	160 247 65	65	164	242	209	44		
20PT2152/65R	372	L01.2A	RC19042001/01	P-BGDKI/S-BGDKK1 N-M/4.43(5.5)/4.43(6.5)	AV, S	61x56x55	90-276V	TEDE9-228B	176 247 65	65	164	242	209	44		
20PT2152/68R	372	L01.2A	RC19042001/01	P-BGDKI/S-BGDKK1 N-M/4.43(5.5)/4.43(6.5)	AV, S	61x56x55	90-276V	TEDE9-228B	176 247 65	65	164	242	209	44		
20RFL160/37R	377	L01.2U	RC19036002/01	N-M	B-DXB	72x62x61	90-140V	ENV56D9863	0 23 129	162	252	152	0			
20RFL160/59R	377	L01.2U	RC19036002/01	N-M	B-DXB	72x62x61	90-140V	ENV56D9863	0 23 129	162	252	152	0			
21HT2001/69Z	376	L01H.2A	RC19042001/01	P-BGDKI/S-BGDKK1 N-M/3.58(4.5)/3.58(6.0)/3.58(6.5)/4.43	MONO	61x57x59	90-276V	TEDE9-228B	8 0 2	2	2	113	0			
21HT																

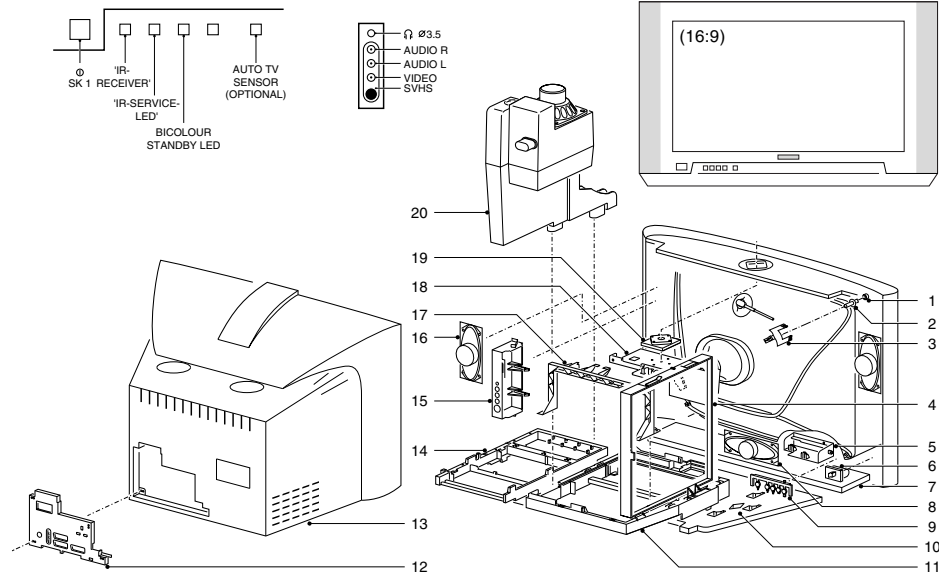
Model number survey

MODEL	STYLING	CHASSIS	RC	SYSTEM	SOUND	SIZE	VOLTRANGE	TUNER	OPTION CODES	4	5	6	7	8
21HT2002/9R	376	L01H.2A	RC2882/01	P-BGDK S	MONO	61x57x49	90-276V	TEDE9-228B	8	2	113	0		
21HT2017/69Y	375	L01H.2A	RC2882/01	P-BGDK S	MONO	61x57x49	90-276V	TEDE9-228B	9	22	113	0		
21HT2017/79Y	375	L01H.2A	RC2882/01	P-BGDK S	MONO	61x57x49	90-276V	TEDE9-228B	9	21	113	0		
21HT2231/68Z	374	L01H.1A	RC19042001/01	P-BGDK S	N-DKBGDKID,2SC-BGDK,AV S	72x62x46	90-276V	TEDE9-228B	9	16	113	0		
21HT2231/68Z	374	L01H.1A	RC19042001/01	P-BGDK S	N-DKBGDKID,2SC-BGDK,AV S	72x62x46	90-276V	TEDE9-228B	9	16	113	0		
21HT2231/68Z	374	L01H.1A	RC2882/01	P-BGDK S	N-DKBGDKID,2SC-BGDK,AV S	72x62x46	90-276V	TEDE9-228B	11	4	113	0		
21HT2231/68Z	374	L01H.1A	RC2882/01	P-BGDK S	N-DKBGDKID,2SC-BGDK,AV S	72x62x46	90-276V	TEDE9-228B	9	20	113	0		
21PT1320/59A	375	L01.1A	RC19042001/01	P-BGDK S	Electronic	73x62x46	90-276V	UV1366AA I G-3	160	87	65	0	194	128
21PT1320/59A	375	L01.1A	RC19042001/01	P-BGDK S	Electronic	73x62x46	90-276V	UV1366AA I G-3	176	87	65	0	194	128
21PT1320/59C	375	L01.1A	RC19042001/01	P-BGDK S	Electronic	73x62x46	90-276V	UV1366AA I G-3	176	87	65	0	194	128
21PT1320/67R	375	L01.1A	RC19042001/01	P-BGDK S	Electronic	73x62x46	90-276V	UV1366AA I G-3	160	87	65	0	194	128
21PT1320/71R	375	L01.1A	RC19042001/01	P-BGDK S	Electronic	73x62x46	90-276V	UV1366AA I G-3	160	87	65	0	194	0
21PT1320/79R	362	L01.2E	RCLE012	P-BGDK S	MONO	73x62x46	90-276V	TEDE9-228B	0	87	65	0	194	128
21PT1346/68T	367	L01.2E	RCLE012	P-BGDK S	MONO	73x62x46	90-276V	TEDE9-228B	176	87	65	0	194	128
21PT1356/01	367	L01.2E	RCLE012	P-BGDK S	MONO	73x62x46	90-276V	TEDE9-228B	See sticker in set					
21PT1356/68	362	L01.2E	RCLE012	P-BGDK S	MONO	73x62x46	90-276V	TEDE9-228B	See sticker in set					
21PT1546/68	362	L01.2E	RCLE011	P-BGDK S	MONO	73x62x46	90-276V	TEDE9-228B	See sticker in set					
21PT1546/68A	362	L01.2E	RCLE011	P-BGDK S	MONO	73x62x46	90-276V	TEDE9-228B	See sticker in set					
21PT1546/68S	362	L01.2E	RCLE011	P-BGDK S	MONO	73x62x46	90-276V	TEDE9-228B	See sticker in set					
21PT1556/01	367	L01.2E	RCLE011	P-BGDK S	MONO	73x62x46	90-276V	TEDE9-228B	See sticker in set					
21PT1556/21	367	L01.2E	RCLE011	P-BGDK S	MONO	73x62x46	90-276V	TEDE9-228B	See sticker in set					
21PT1586/56	366	L01.2E	RCLE011	P-BGDK S	MONO	73x62x46	90-276V	TEDE9-228B	See sticker in set					
21PT1666/05	366	L01.2E	RCLE011	P-BGDK S	MONO	73x62x46	90-276V	TEDE9-228B	See sticker in set					
21PT1666/56	366	L01.2E	RCLE011	P-BGDK S	MONO	73x62x46	90-276V	TEDE9-228B	See sticker in set					
21PT2001/59B	376	L01.2A	RC19335003/01	P-BGDK S	MONO	61x57x49	90-276V	TEDE9-228B	0	215	65	0	194	80
21PT2001/59B	376	L01.2A	RC19335003/01	P-BGDK S	MONO	61x57x49	90-276V	TEDE9-228B	0	215	65	0	194	209
21PT2001/67R	376	L01.2A	RC19335003/01	P-BGDK S	MONO	61x57x49	90-276V	TEDE9-228B	0	215	65	0	194	209
21PT2001/79R	376	L01.2A	RC19335003/01	P-BGDK S	MONO	61x57x49	90-276V	TEDE9-228B	0	215	65	0	194	209
21PT2011/67R	375	L01.2A	RC19335003/01	P-BGDK S	MONO	61x57x49	90-276V	TEDE9-228B	160	215	65	0	194	209
21PT2011/71R	375	L01.2A	RC19335003/01	P-BGDK S	MONO	61x57x49	90-276V	TEDE9-228B	0	215	65	0	194	209
21PT2012/59A	375	L01.2A	RC19042001/01	P-BGDK S	MONO	61x57x49	90-276V	TEDE9-228B	0	247	65	0	194	80
21PT2012/59A	375	L01.2A	RC19042001/01	P-BGDK S	MONO	61x57x49	90-276V	TEDE9-228B	176	247	65	0	194	80
21PT2012/59C	375	L01.2A	RC19042001/01	P-BGDK S	MONO	61x57x49	90-276V	TEDE9-228B	16	247	65	0	194	80
21PT2012/65R	375	L01.2A	RC19042001/01	P-BGDK S	MONO	61x57x49	90-276V	TEDE9-228B	16	247	65	0	194	80
21PT2012/79R	375	L01.2A	RC19042001/01	P-BGDK S	MONO	61x57x49	90-276V	TEDE9-228B	176	247	65	0	194	209
21PT2012/79R	375	L01.2A	RC19042001/01	P-BGDK S	MONO	61x57x49	90-276V	TEDE9-228B	176	247	65	0	194	209
21PT2152/69R	375	L01.2A	RC19042001/01	P-BGDK S	MONO	61x57x49	90-276V	TEDE9-228B	176	247	65	0	194	209
21PT2152/69R	375	L01.2A	RC19042001/01	P-BGDK S	MONO	61x57x49	90-276V	TEDE9-228B	176	247	65	0	194	209
21PT2251/67R	374	L01.1A	RC19335003/01	P-BGDK S	MONO	61x57x49	90-276V	TEDE9-228B	160	215	193	164	254	144
21PT2251/71R	374	L01.1A	RC19335003/01	P-BGDK S	MONO	61x57x49	90-276V	TEDE9-228B	0	215	193	162	254	144
21PT2252/56A	374	L01.1A	RC19042001/01	P-BGDK S	MONO	61x57x49	90-276V	TEDE9-228B	160	215	193	162	254	144
21PT2252/57R	374	L01.1A	RC19042001/01	P-BGDK S	MONO	61x57x49	90-276V	TEDE9-228B	160	247	193	164	242	144
21PT2252/57R	374	L01.1A	RC19042001/01	P-BGDK S	MONO	61x57x49	90-276V	TEDE9-228B	176	247	193	164	242	144
21PT2252/68R	374	L01.1A	RC19042001/01	P-BGDK S	MONO	61x57x49	90-276V	TEDE9-228B	160	247	193	164	242	144
21PT2252/68R	374	L01.1A	RC19042001/01	P-BGDK S	MONO	61x57x49	90-276V	TEDE9-228B	176	247	193	164	242	144
21PT2252/69R	374	L01.1A	RC19042001/01	P-BGDK S	MONO	61x57x49	90-276V	TEDE9-228B	176	247	193	164	242	144
21PT2301/67R	377	L01.1A	RC19335003/01	P-BGDK S	MONO	61x57x49	90-276V	TEDE9-228B	160	215	193	168	254	144
21PT2301/71R	377	L01.1A	RC19335003/01	P-BGDK S	MONO	61x57x49	90-276V	TEDE9-228B	0	215	193	168	254	144
21PT2302/97R	377	L01.1A	RC19335003/01	P-BGDK S	MONO	61x57x49	90-276V	TEDE9-228B	160	215	193	162	254	144
21PT2302/97R	377	L01.1A	RC19335003/01	P-BGDK S	MONO	61x57x49	90-276V	TEDE9-228B	160	247	193	168	254	144
21PT2302/57R	377	L01.1A	RC19042001/01	P-BGDK S	MONO	61x57x49	90-276V	TEDE9-228B	160	247	193	168	254	144
21PT2302/65R	377	L01.1A	RC19042001/01	P-BGDK S	MONO	61x57x49	90-276V	TEDE9-228B	160	247	193	168	254	144
21PT2302/68R	377	L01.1A	RC19042001/01	P-BGDK S	MONO	61x57x49	90-276V	TEDE9-228B	176	247	193	168	254	144
21PT2302/69R	377	L01.1A	RC19042001/01	P-BGDK S	MONO	61x57x49	90-276V	TEDE9-228B	176	247	193	168	254	144
21PT2302/79R	377	L01.1A	RC19042001/01	P-BGDK S	MONO	61x57x49	90-276V	TEDE9-228B	160	247	193	168	254	144
21PT2302/56A	377	L01.1A	RC19042001/01	P-BGDK S	MONO	61x57x49	90-276V	TEDE9-228B	160	215	193	162	254	144
21PT2302/56A	377	L01.1A	RC19042001/01	P-BGDK S	MONO	61x57x49	90-276V	TEDE9-228B	160	247	193	168	254	144
21PT2302/57R	377	L01.1A	RC19042001/01	P-BGDK S	MONO	61x57x49	90-276V	TEDE9-228B	160	247	193	168	254	144
21PT2302/65R	377	L01.1A	RC19042001/01	P-BGDK S	MONO	61x57x49	90-276V	TEDE9-228B	160	247	193	168	254	144
21PT2302/68R	377	L01.1A	RC19042001/01	P-BGDK S	MONO	61x57x49	90-276V	TEDE9-228B	176	247	193	168	254	144
21PT2302/69R	377	L01.1A	RC19042001/01	P-BGDK S	MONO	61x57x49	90-276V	TEDE9-228B	176	247	193	168	254	144
21PT2302/79R	377	L01.1A	RC19042001/01	P-BGDK S	MONO	61x57x49	90-276V	TEDE9-228B	160	247	193	168	254	144
21PT4320/57R	387	L01.1A	RC19042001/01	P-BGDK S	MONO	61x57x49	90-276V	TEDE9-228B	160	247	193	168	254	145
21PT4320/65R	387	L01.1A	RC19042001/01	P-BGDK S	MONO	61x57x49	90-276V	TEDE9-228B	160	247	193	168	254	145
21PT4320/67R	387	L01.1A	RC19042001/01	P-BGDK S	MONO	61x57x49	90-276V	TEDE9-228B	160	215	209	168	254	17
21PT4320/68R	387	L01.1A	RC19042001/01	P-BGDK S	MONO	61x57x49	90-276V	TEDE9-228B	176	247	209	168	254	145
21PT4320/69R	387	L01.1A	RC19042001/01	P-BGDK S	MONO	61x57x49	90-276V	TEDE9-228B	176	247	209	168	254	145
21PT4320/71R	387	L01.1A	RC19042001/01	P-BGDK S	MONO	61x57x49	90-276V	TEDE9-228B	176	247	209	168	254	145
21PT4320/79R	387	L01.1A	RC19042001/01	P-BGDK S	MONO	61x57x49	90-276V	TEDE9-228B	176	247	209	168	254	145
21PT4406/01	341	L01.2E	RC19039801/01	P-BGDK S	MONO	55x47x50	220-240V	TEDE9-228B	See sticker in set					
21PT4416/05	341	L01.2E	RC19039801/01	P-BGDK S	MONO	55x47x50	220-240V	TEDE9-228B	See sticker in set					
21PT4426/01	360	L01.2E	RC19039801/01	P-BGDK S	MONO	55x47x50	220-240V	TEDE9-228B	See sticker in set					

Model number survey

MODEL	STYLING	CHASSIS	RC	SYSTEM P...=PAL S...=SECAM N...=NTSC	SOUND N...=NICAM F...=FM/FM	SIZE w×h×d (cm)	VOLTRANGE	TUNER	OPTION CODES			8
									1	2	3	
42HF9952/12Z	235b-334	F21RE/FTV1 9D	RC2042/01B	P-BGDKI'S-BGDKLL'	N-DBGDBGK1,2SC-BGDK AV S	122x67x16	95-264V	UV1316/A L-3	See sticker in set			
42HF9952/39Z	235b-334	F21RE/FTV1 9D	RC0333/01B	P-BGI S-L'	N-BGDKIL,2SC-BG F-BG	122x67x16	95-264V	UV1316/A L-3	See sticker in set			
42HF9964/12Z	334-335	F21RE/FTV1 9D	RC2042/01B	P-BGDKI'S-BGDKLL'	N-DBGDBGK1,2SC-BGDK AV S	122x66x9	95-264V	UV1316/A L-3	See sticker in set			
42HF9964/22Z	335	FM24	RC1935/009/01	P-BGI S-BGLL	N-DBGDBGK1,2SC-BGDK AV S	122x66x9	90-276V	UV1316/A L-3	See sticker in set			
42PF9952/12M	334-335	F21RE/FTV1 9D	RC2042/01B	P-BGDKI'S-BGDKLL'	N-DBGDBGK1,2SC-BGDK AV S	122x67x16	95-264V	UV1316/A L-3	See sticker in set			
43PP9832/063	400	ENG	RCSBHV00030A	P-BGDKI'S-BGDKLL'	N-BGDKIL,2SC-BG F-Korea/BG/China	122x66x9	90-276V	TEDE9-031A	See sticker in set			
43PP8420/57	400	DPTV325	SBHV/00030A	P-BGDKI'S-BGDKLL'	N-BGDKI,2SC-BG F-Korea/BG/China		160-276V	TEDE9-031A	See sticker in set			
43PP8420/69	400	DPTV325	SBHV/00030A	P-BGDKI'S-BGDKLL'	N-BGDKI,2SC-BG F-Korea/BG/China		160-276V	TEDE9-031A	See sticker in set			
43PP8420/79	400	DPTV325	RCSBHV00030A	P-BGDKI'S-BGDKLL'	N-BGDKIL,2SC-BG F-Korea/BG/China		90-276V	TEDE9-031A	See sticker in set			
51TA1476/03	358	L01 2E	RCL013	P-BGI	MONO	52x56x55	220-240V	UV1317/A G-3	See sticker in set			
52TA1476/11	361	L01 2E	RCL013	P-BGI	MONO	52x56x55	220-240V	UV1317/A G-3	See sticker in set			
52TA1476/03	361	L01 2E	RCL013	P-BGDKI'S-BGDKLL'	MONO	52x50x49	220-240V	UV1317/A G-3	See sticker in set			
52TA1416/03	360	L01 2E	RCL013	P-BGDKI'S-BGDKLL'	MONO	52x50x49	220-240V	UV1317/A G-3	See sticker in set			
55PP8620/69	401	DPTV325	SBHV/00030A	P-BGDKI'S-BGDKLL'	N-BGDKIL F-BG MONO	52x47x49	220-240V	TEDE9-031A	See sticker in set			
55PP8620/79	401	DPTV325	SBHV/00030A	P-BGDKI'S-BGDKLL'	N-BGDKI,2SC-BG F-Korea/BG/China		160-276V	TEDE9-031A	See sticker in set			
55PP8620/83	363	ENG	RCSBHV00030A	P-BGDKI'S-BGDKLL'	N-BGDKIL,2SC-BG F-Korea/BG/China		90-276V	TEDE9-031A	See sticker in set			
63TA4416/03	344	L01 1E	RCL013	P-BGDKI'S-BGDKLL'	N-BGDKIL F-BG MONO	76x51x58	220-240V	UV1317/A G-3	See sticker in set			
63TA4416/03	344	L01 1E	RCL013	P-BGDKI'S-BGDKLL'	N-BGDKI,2SC-BG F-Korea/BG/China	76x51x58	220-240V	UV1317/A G-3	See sticker in set			
70TA4416/03	344	L01 1E	RCL013	P-BGDKI'S-BGDKLL'	N-BGDKIL F-BG MONO	77x58x48	220-240V	UV1317/A G-3	See sticker in set			
FR9864/01S	334	F21RE	RC2042/01B	P-BGDKI'S-BGDKLL'	N-BGDKIL F-BG MONO	44x10x33	85-264V	UV1316/A L-3	See sticker in set			
FR9864/17S	334	F21RE	RC2035/01	N-M	P-DBX	44x10x33	85-264V	UV1316/A L-3	See sticker in set			

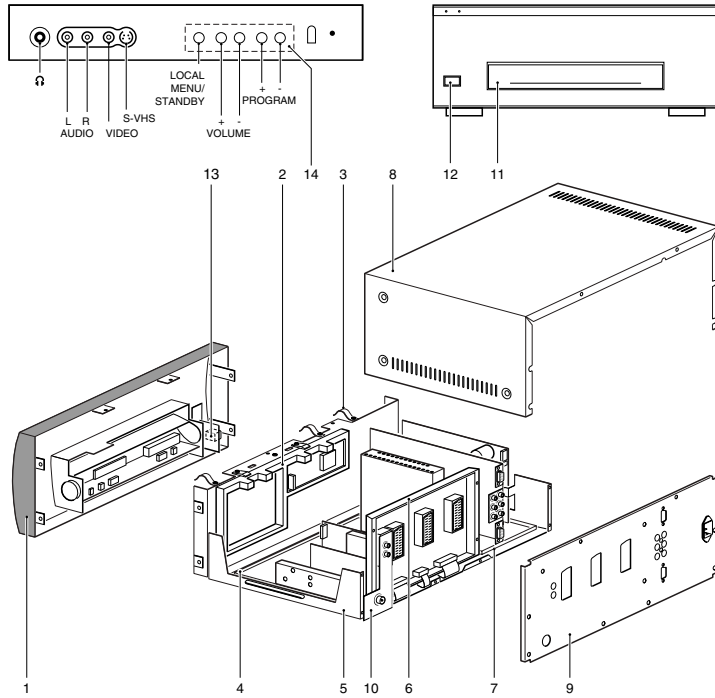
STYLING 229



STYLING 229.eps
120301

1	4822 404 31294	Insert 32" VP19100	3104 304 19640	Module support bracket on SSP
2	4822 505 11195	Picture tube screw 28"	3104 304 20300	Bracket for DAF panel
2	4822 502 21359	Picture tube screw 32"	2322 460 91643	DAF potmeter
3	4822 403 70906	Bracket fix deg. coil (2x) 28"	2322 460 91641	DAF potmeter
3	4822 404 31289	Bracket fix deg. coil (2x) 32"	2422 549 44248	Degaussing coil
3	3104 304 21091	Bracket fix deg. coil (2x) 36"	2422 549 44244	Degaussing coil
3ijk*	3104 304 21091	Bracket fix deg. coil (4x)	2422 549 44256	Degaussing coil
4	3104 304 19650	Frame for supply panel	i*	8204 000 74951
5	4822 402 11176	Bracket mains unit	4822 157 11825	Rotation coil
6	3104 304 20790	Mains knob	ijk*	3104 304 21031
6e*	3104 304 22321	Mains knob		
7a*	3104 307 95240	Cabinet	cdefg*	9301 827 70306
7b*	3104 328 08671	Cabinet	ab*	9301 828 00306
7c*	3104 328 04820	Cabinet	ijk*	9322 173 93682
7d*	3104 328 08661	Cabinet	abcdfijk*	3104 207 09580
7e*	3104 328 08971	Cabinet	e*	3104 207 09540
7g*	3104 328 06362	Cabinet V0	gh*	3104 207 09600
7h*	3104 328 13971	Cabinet V0		4622 009 50772
7ij*	3104 328 16211	Cabinet		4622 009 50782
7k*	3104 328 20541	Cabinet	g*	2422 070 98129
8	2422 257 20547	Loudspeaker centre		2422 070 98132
9	3104 304 20800	Light guide		3104 130 01181
10	4822 466 12141	Bottom plate		
10g*	3104 304 21101	Bottom plate V0		3104 130 01301
11	3104 304 19580	Frame for LSP		
12acek*	4822 466 12209	Coverplate		3104 130 01251
12bdi*	3104 307 94320	Coverplate		
12fj*	3104 307 94313	Coverplate	g*	3104 300 20201
12g*	3104 307 95302	Coverplate	g*	3104 301 23981
12h*	3104 307 97831	Coverplate	g*	3135 017 00921
13ab*	3104 307 95250	Rear cover	abcdfij*	3104 307 97111
13cdefij*	3104 307 95200	Rear cover		
13g*	3104 307 95821	Rear cover V0		
14	4822 464 10474	Frame for SSP		3104 300 20181
15	3104 304 20990	Bracket side IO		3104 300 20191
16	3104 130 01230	Loudspeaker combi		
17	3104 304 20260	LOT support bracket		
18	4822 464 10475	Bracket top control	*a	28PW9525
19	3104 304 21630	Keypad	*b	28PW9616
19e*	3104 304 20921	Keypad	*c	32PW9525
19g*	3104 304 22561	Keypad	*d	32PW9616
20	4822 445 10834	Subwoofer box	*e	32PW8906
	4822 454 13455	Philips emblem 28"	*f	32PW9765
	4822 454 13399	Philips emblem 32"	*g	30PW9815
e*	4822 459 11161	Philips emblem	*h	30PW9817
	3104 300 12080	Matchline emblem	*i	32PW9616/xxM
	4822 459 11033	Matchline emblem 28PW9525	*j	32PW9765/xxM
	4822 492 11079	Spring mains switch	*k	32PW9525 (AG30)

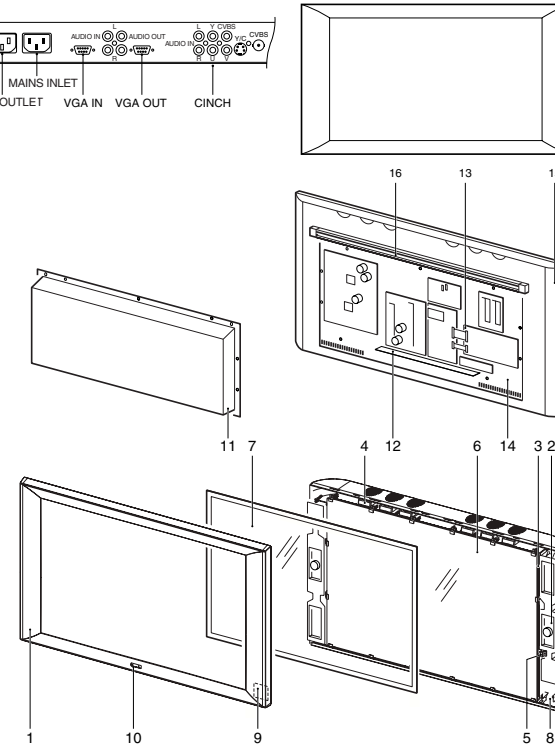
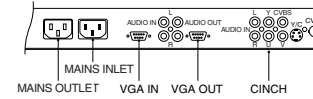
STYLING 235a



1	3122 128 13063	Frontpanel
2	3122 124 35641	Text bracket
3	3122 121 66971	EMC spring front I/O
4	3122 124 35571	4 PCB bracket
5	3122 121 35642	Bottom plate
6	3122 124 35601	Rear I/O-bracket
7	3122 124 35631	SSP bracket
8	3122 128 13081	Top plate painted
9	3122 128 13001	Connector PL
10	Not applicable	
11	3122 128 13012	Door
12	3122 128 13131	Mains knob
13	3122 124 35612	Lightguide
14	3104 308 76591	Control knob assy
	3139 117 72651	Wordmark PHILIPS
	9322 127 27676	IR LED
	3122 121 35631	Front shield
	3104 308 76481	Front connections
	3139 117 85331	Leg silver
	3104 304 16374	SSP locking unit
	3104 317 91971	Box supply NEDAP
	4622 007 51971	Mains cordFTR9952/12
	2422 070 98107	Mains cordFTR9952/19

STYLING 235a AI
070700

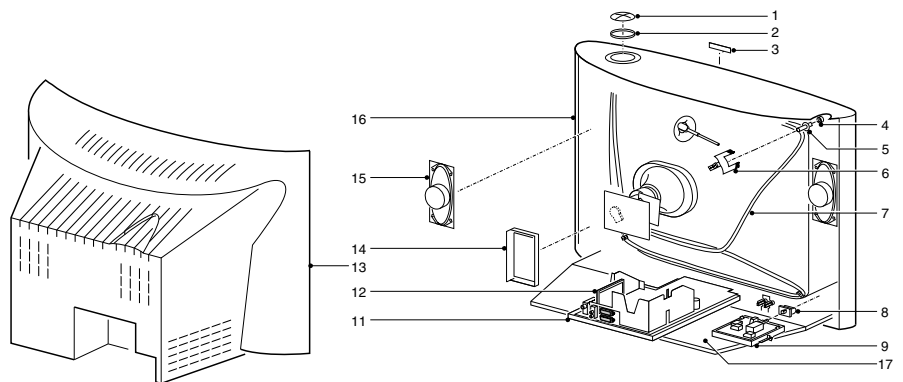
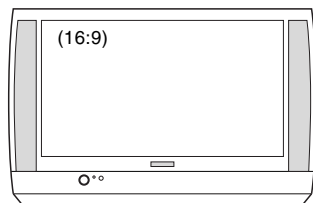
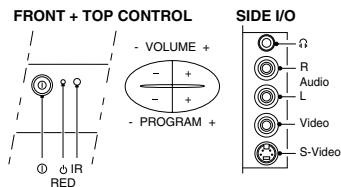
STYLING 235b



1	3122 128 13171	Screen frame gray (monitor-only configuration)	15	3122 128 13181	Back display (monitor-only configuration)
1	3122 357 20541	Screen frame purple	16	3122 121 66951	Mount profile
1	3122 357 20551	Screen frame blue		3122 121 66961	Wall mount profile
1	3122 357 20561	Screen frame green		4822 310 11182	Mounting kit assembly
1	3122 357 20571	Screen frame champagne		4822 263 50216	MAC adapter
1a*	3122 128 13162	Screen frame silver		4822 462 10981	Wall spacer
2	3104 130 01391	Loudspeaker assembly		3122 121 66971	EMC spring
3	3122 121 66931	EMC strip		3122 121 67021	EMC strip
4	3104 301 09352	Fan	ab*	2422 070 98107	Mains cord UK/FR
5	3122 121 35601	Glass clip	ab*	4622 007 51971	Mains cord WE
6	9322 137 15682	Display	c	3122 358 75802	Mains cord
7	3122 124 90741	Glass plate		3122 358 75921	VGA cable 2m
8	3122 128 13141	Mains knob		3122 358 75931	VGA cable 5m
9	3122 124 35651	Light guide		3122 358 76021	VGA cable 10m (only total configuration)
10	3104 300 11991	Wordmark PHILIPS			
11	3122 128 13031	Board encasing	*a	42PF9952/12S, /19S	
12	3122 128 13121	Connector plate	*b	42FD9932/01G, /01S	
13	2422 015 13083	PCB hinged lock	*c	42FD9932/17G	
14	3122 121 35611	Back cover			
15	3122 124 35561	Back display (only total configuration)			

STYLING235b AI
070700

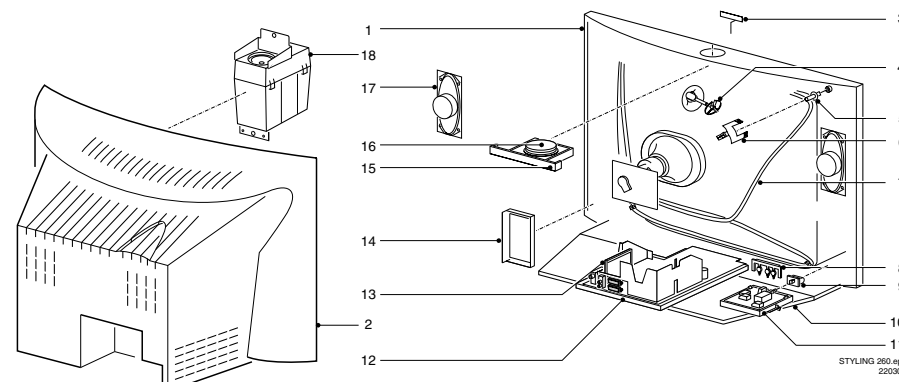
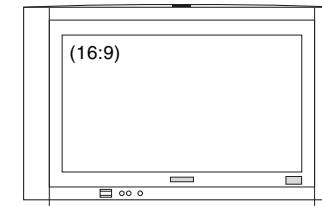
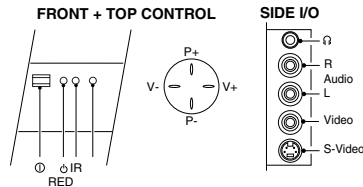
STYLING 252



STYLING 252.eps
280901

1/2abc*	3139 178 61961	Top control assy			
1/2def*	3139 178 86551	Top control assy	13c*	3111 257 55702	Rear cover 24" WS
3a*	3111 250 00621	Wordmark 32"	13df *	3139 124 34622	Rear cover 28" WS
3bcd*	3111 250 00201	Wordmark 28", 24"	13e*	3139 124 34632	Rear cover 32" WS
3e	3104 300 11831	Wordmark 32"	14	3104 304 22191	Bracket for Side I/O panel
			15aef*	2422 264 00381	Speaker 8Ω 10W
3f	3111 250 00271	Wordmark ARISTONA (/03)			
3f	3111 250 00261	Wordmark SBR (/11)	15bcd*	4822 240 10368	Speaker YDT0613-62BP
3f	3111 250 00221	Wordmark RADIOLA (/18)	16ae*	3111 257 55692	Cabinet painted 32" WS
4	Not applicable		16e	3111 257 56352	Cabinet painted 32"
5abdef*	4822 502 14602	CRT screw 28", 32"	16bd*	3111 257 55681	Cabinet painted 28" WS
			16d	3139 124 34622	Cabinet painted 28" WS
5c*	4822 502 14071 310430877010	CRT screw 24"	16f*	3111 257 56241	Cabinet painted 28" WS (Nat. brand)
6a	3111 254 24611	Coil bracket	16c*	3111 257 55671	Cabinet painted 24" WS
6abef	3104 304 14414	Corner coil bracket	17bd	3139 124 26412	Bottom plate 28"
6c*	3104 304 18634	Corner coil bracket	17c	3139 124 26422	Bottom plate 24"
6d	3139 124 34622	Corner coil bracket		4822 321 11139	Mains cord EU
6abcd	3111 254 23481	Coil & EHT clamp		4822 321 11143	Mains cord UK
7ae*	2422 549 44564	Degaussing coil 32"		9322 148 59682	Picture tube 32" W76EGV023X315
7bdf*	2422 549 44248	Degaussing coil 28"		9301 770 70307	Picture tube 28" W66ECK001X14
7c*	2422 549 44563	Degaussing coil 24"		9301 760 20347	Picture tube 24" W56ECK001X04
8ab*	3139 137 75631	Mains knob	*a	32PW6005	
8def	3139 137 52412	Mains knob	*b	28PW6005	
8c*	3139 137 75621	Mains knob	*c	24PW6005	
9	Not applicable		*d	28PW5405	
10c*	4822 380 10239	Light guide 24"	*e	32PW5405	
			*f	70WA6215	
10abdef*	4822 380 10238	Light guide 28", 32"			
11	3139 124 32541	Bracket for LSP			
12	3139 124 33361	Supporting bracket for SSB			
13a*	3139 124 31761	Rear cover 32" WS			
13b *	3139 124 31742	Rear cover 28" WS			

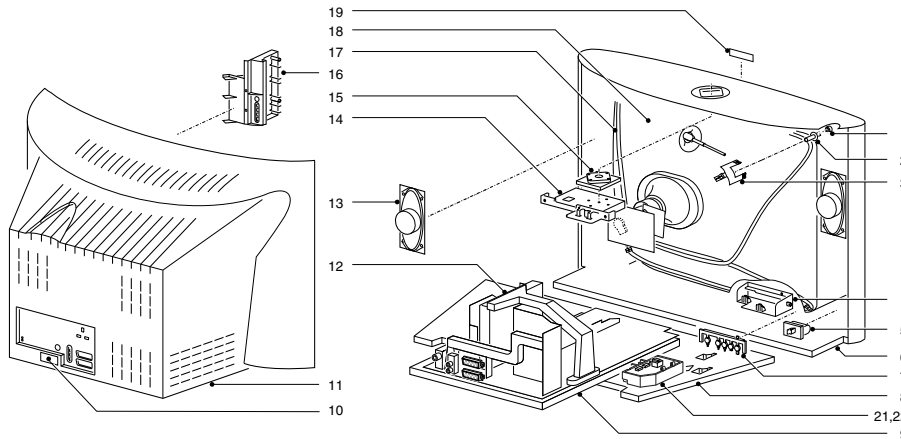
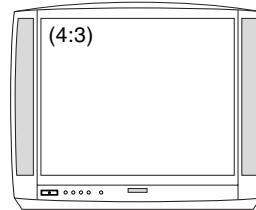
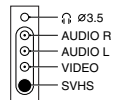
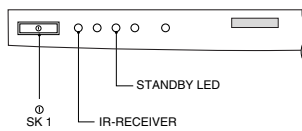
STYLING 260



STYLING 260.eps
220302

1ab*	3111 257 57121	Cabinet painted 28"	15ac*	3139 124 30381	Top control bracket
1cd*	3111 257 57131	Cabinet painted 32"	15bd*	3139 124 33941	Top control bracket
2ab*	3111 257 56671	Rear cover 28"	16	3139 137 66921	Top control button
2cd*	3111 257 56681	Rear cover 32"	17ac*	2422 264 00377	Loudspeaker 8Ω 10W
3a*	3111 250 00731	Wordmark 28"	17b*	3139 128 76202	Loudspeaker 8Ω 10W
3b*	4822 454 13455	Wordmark 28"	17d*	2422 257 20547	Loudspeaker 8Ω 15W
3c*	3111 250 00581	Wordmark 32"	18ac*	3139 128 75771	Subwoofer
3d*	3111 250 00811	Wordmark 32"	18bd*	3139 128 76372	Subwoofer
4ab*	4822 401 11765	Coil & EHT bracket			
4b*	4822 404 31341	Coil & EHT bracket	ab*	9301 805 90301	Picture tube 28" W66ERF001X013
4c*	4822 404 31289	Coil & EHT bracket	cd*	9301 800 90314	Picture tube 32" W76ERF001X013
5ab*	4822 505 11195	CRT screw 28"		4822 321 11139	Mains cord EU
5cd*	4822 502 14602	CRT screw 32"		4822 321 11143	Mains cord UK
6	4822 403 70906	Corner coil bracket		4822 532 13136	VO insulator ring
7a*	2422 549 44248	Degaussing coil 28"		3139 124 35291	Mains harmonic bracket
7b*	2422 549 44621	Degaussing coil 28"	*a	28PW6515	
7cd*	2422 549 44244	Degaussing coil 32"	*b	28PW6516/79R	
8ac*	3139 124 30411	Light guide	*c	32PW6515	
8bd*	3139 124 33811	Light guide	*d	32PW6516/01, /79R	
9	3139 124 33801	Mains knob			
10	Not applicable				
11	3139 124 32521	Bracket for Front control panel			
12	3139 124 32542	Bracket for LSP			
13	3139 124 33361	Supporting bracket for SSB			
14	3139 124 31651	Bracket for Side I/O panel			

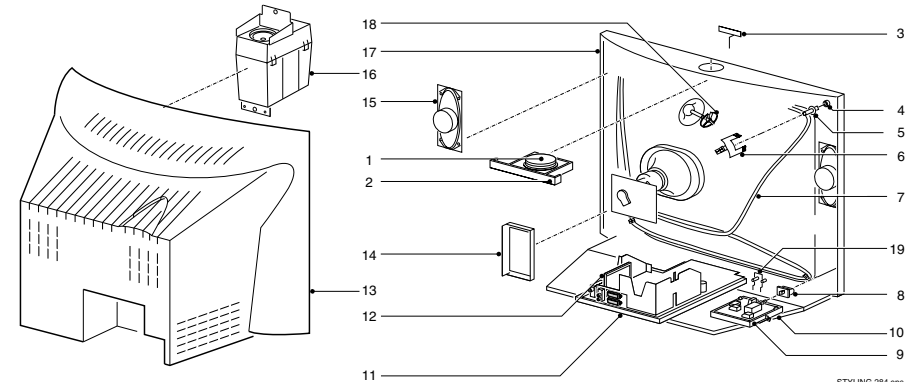
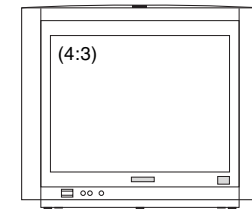
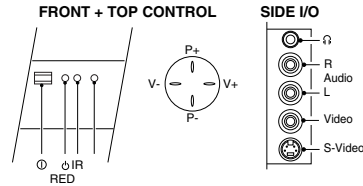
STYLING 261



STYLING 261.eps
200302

1	Not applicable				
2	4822 505 11195	Picture tube screw	15fg*	3104 304 20921	Keypad
3	4822 403 70906	Bracket fix deg. coil	16abe*	4822 402 11175	Bracket Side I/O panel
4	4822 402 11176	Bracket mains unit	16cd*	3104 304 22111	Bracket Side I/O panel
5abe*	4822 410 12069	Mains knob	16fg*	3104 304 25151	Bracket Side I/O panel
			17	2422 549 44385	Degaussing coil
5cd*	3104 307 95961	Mains knob	18a*	9301 735 10306	CRT 25"
5fg*	3104 307 95961	Mains knob	18bcdefg*	9301 732 90303	CRT 28"
6a*	3104 328 01612	Cabinet assy	19abe*	4822 459 11127	Wordmark Philips
6b*	4822 449 80289	Cabinet assy	19c*	4822 250 00291	Wordmark Philips
6c*	3104 328 06052	Cabinet assy	19d*	4822 454 13462	Wordmark Aristona (/03)
6d*	3104 328 07142	Cabinet assy	19d*	3122 220 00623	Wordmark SBR (/11)
6e*	3111 257 56372	Cabinet assy	19fg*	4822 454 13455	Wordmark Philips
6fg*	3104 328 20731	Cabinet assy	20	3104 304 22751	Bracket Mains harmonic (only for /xxR)
7a*	3104 304 19722	Light guide	21	3104 304 22762	Cover Mains harmonic (only for /xxR)
7bcdefg*	3104 304 19812	Light guide			
8a*	3104 304 21264	Bottom plate			
8bcdefg*	3104 304 21274	Bottom plate			
9	3104 304 21303	Bracket LSP		3104 301 23951	SSB shielding (top)
10acd*	3104 304 21641	Service connector cover		3104 301 23962	SSB shielding (bottom)
10be*	3104 304 21772	Service connector cover		4822 321 11499	Mainscord
				4822 402 11183	Mainscord holder
10fg*	3104 304 22312	Service connector cover	*a	25PT7106	
11a*	3104 328 06092	Rear cover	*b	28PT7106	
11be*	3104 328 06112	Rear cover	*c	28PT7306	
11cd*	3104 328 06101	Rear cover	*d	70TA7216	
11fg*	3104 328 20751	Rear cover	*e	28PT7007/12	
			*f	28PT7157/12	
			*g	28PT7207/12	
12	3104 304 21112	Support bracket LOT/SSB			
13	4822 240 10331	Loudspeaker			
14	4822 464 10475	Bracket Top control panel			
15abe*	3104 304 21711	Keypad			
15cd*	3104 304 22121	Keypad			

STYLING 284

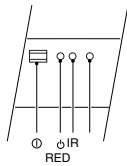


STYLING 284.eps
181201

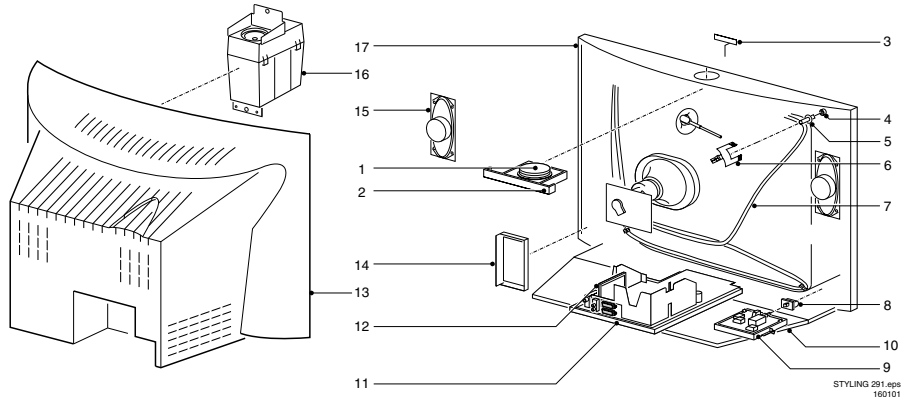
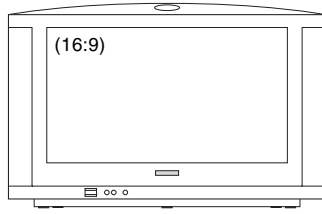
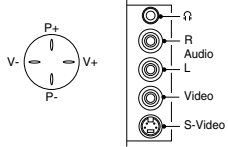
1/2a*	3139 178 82271	Top control assy	17b*	3139 138 14921	Cabinet 29"
1b	3139 137 66921	Top control button	18ab*	3111 254 23481	Coil & EHT clamp
2b	3139 124 33941	Top control bracket	19ab*	3139 124 33811	Light guide
3a	3111 250 00571	Wordmark 29"	ab*	4822 321 11139	Mains cord
3b	3141 050 00161	Wordmark 29" PHILIPS	b*	4822 404 31291	Mains cord holder
4	Not applicable			4822 53213136	VO insulator ring
5ab*	4822 505 11195	CRT screw	a*	3111 259 00111	Picture tube 29"
6	3139 124 31121	Bracket fix degaussing coil			A68QCP891X604
7ab*	2422 549 44579	Degaussing coil	b*	9322 177 18682	Picture tube 29"
8a*	3139 137 72011	Mains knob assy			A68QCP891X628
8b*	3139 124 33801	Mains knob	*a	29PT5515	
9ab*	3139 124 32521	Bracket for Front control panel	*b	29PT5516	
10	Not applicable				
11ab*	3139 124 32542	Bracket for LSP			
12ab*	3139 124 33361	Supporting bracket for SSB			
13ab*	3111 257 56641	Rear cover 29"			
14ab*	3111 257 56641	Bracket for Side I/O panel			
15	2422 264 00379	Loudspeaker			
16	3139 128 76373	Subwoofer			
17a*	3111 257 57111	Cabinet 29"			

STYLING 291

FRONT + TOP CONTROL



SIDE I/O

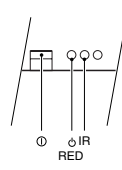


STYLING 291.eps
160101

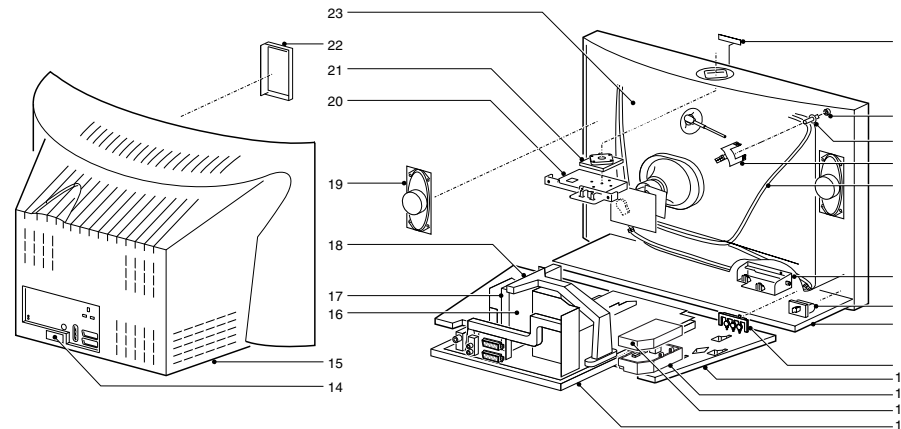
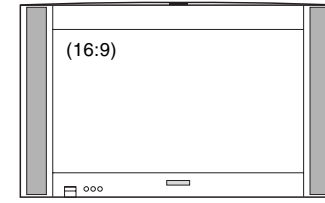
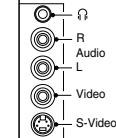
1	3139 124 31131	Top control cover	17b*	3111 257 57151	Cabinet 32"
2	3139 124 33941	Top control bracket	17d*	3111 257 57192	Cabinet 32"
3ac*	3111 250 00591	Wordmark		3139 124 35291	Mains harmonic bracket
3b*	3111 250 00601	Wordmark		3139 124 31631	Light guide
3d*	3104 300 11831	Wordmark		4822 404 31291	Mains cord relief
4	Not applicable		a*	9322 148 60682	Picture tube 28"
5	4822 502 14602	CRT fixing screw		W66EGV023X315	
6	4822 403 70906	Degaussing coil bracket	b*	4822 131 11215	Picture tube 32"
7	4822 157 11758	Degaussing coil 28"		W76ESF031X14	
7b*	2422 549 44564	Degaussing coil 32"			
8	3139 124 32511	Mains knob	c*	4822 131 11345	Picture tube 28"
9	3139 124 32521	Front interface bracket	d*	9322 148 59682	Picture tube 32"
10	not applicable			W76EGV023X315	
11	3139 124 32542	Chassis tray		4822 321 11139	Mains cord
12	3139 124 33361	SSB bracket			
13a*	3139 137 69971	Rear cover 28"	*a	28PW6305	
13c*	3139 137 90761	Rear cover 28"	*b	32PW6305	
13b*	3139 137 70071	Rear cover 32"	*c	28PW5406	
13d*	3139 137 90731	Rear cover 32"	*d	32PW5406	
14abc*	3139 124 31651	Side I/O bracket			
14d*	3139 124 33131	Side I/O bracket blue silver			
15	2422 264 00377	Loudspeaker 8Ω 10W			
16	Not applicable				
17a*	3111 257 57141	Cabinet 28"			
17c*	3111 257 56823	Cabinet 28"			

STYLING 296

FRONT + TOP CONTROL



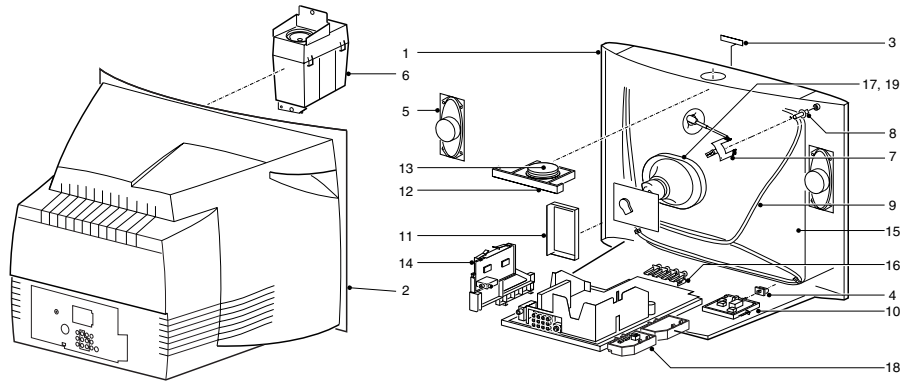
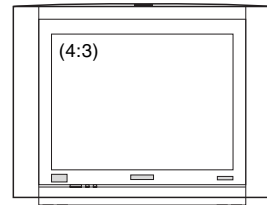
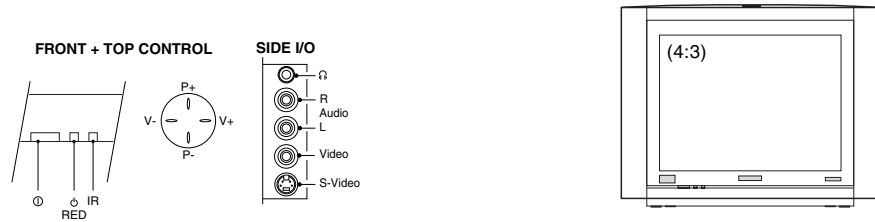
SIDE I/O



STYLING 296.eps
160101

1a*	3104 300 12201	Wordmark 28PW8206	14ac*	3104 304 22301	Service connector cover
1b*	4822 454 13455	Wordmark 28PW8506	14be*	3104 304 22312	Service connector cover
1c*	3104 300 12191	Wordmark 32PW8106 & 8206	14d*	3104 304 21641	Service connector cover
1d*	4822 454 13444	Wordmark 32PW8406	15a*	3104 304 22241	Rear cover 28PW8106
1e*	3104 307 11991	Wordmark 32PW8506	15b*	3104 304 21982	Rear cover 28PW8506
1f*	4822 454 13462	Wordmark 70WA8416/03	15c*	3104 304 22251	Rear cover 32PW8106 & 8206
1g*	3122 220 00623	Wordmark 70WA8416/11	15dhi*	3104 304 22781	Rear cover
1h*	3104 300 00281	Wordmark 82WA8416/03			
1i*	3104 300 11792	Wordmark 82WA8416/11			
2ab*	Not applicable	CRT insert 28"	15e*	3104 304 21972	Rear cover 32PW8506
2cde*	3104 308 74042	CRT insert 32"	15fg*	3104 304 24061	Rear cover 70WA8416
3ab*	4822 505 11195	CRT screw 28"	16	3104 301 23962	Shielding SSB (bottom)
3cde*	4822 502 21359	CRT screw 32"	17	3104 301 23951	Shielding SSB (top)
4	4822 403 70906	Bracket fix degaussing coil	18	3104 304 21114	Bracket for LOT/SSB
5ab*	4822 157 11758	Degaussing coil 28"	19	2422 264 00386	Loudspeaker
5cde*	2422 549 44258	Degaussing coil 32"	20abce*	3104 304 19794	Bracket Top Control
6	3104 304 21853	Bracket mains unit	20d*	4822 466 93184	Bracket Top Control
7	3104 307 96221	Mains knob assy	21abce*	3104 304 20921	Keypad Top Control
8a*	3104 307 96311	Cabinet painted 28PW8206	21d*	3104 304 22121	Keypad Top Control
8b*	3104 307 96172	Cabinet painted 28PW8506	22	3104 304 22021	Bracket Side I/O
8c*	3104 307 96321	Cabinet painted	23ab*	4822 131 20704	CRT 28"
		32PW8106 & 8206	23cde*	4822 131 20705	CRT 32"
		Cabinet painted		4822 321 11499	Mains cord
		32PW8406 / 82WA8416		4822 402 11183	Mains cord holder
8dhi*	3104 307 96751	Cabinet painted			
		32PW8406 / 82WA8416			
8e*	3104 307 96192	Cabinet painted 32PW8506	*a	28PW8206	
8fg*	3104 307 98181	Cabinet painted 70WA8416	*b	28PW8506	
9	3104 304 21991	Light guide	*c	32PW8106 & 8206	
10	3104 304 22012	Bottom plate	*d	32PW8406	
11	3104 304 22751	Bracket for Mains Harmonic (only for /xxR)	*e	32PW8506	
			*f	70WA8416/03	
12	3104 304 22762	Cover for Mains Harmonic (only for /xxR)	*g	70WA8416/11	
			*h	82WA8416/03	
13	3104 304 21293	Bracket for Large Signal Panel	*i	82WA8416/11	

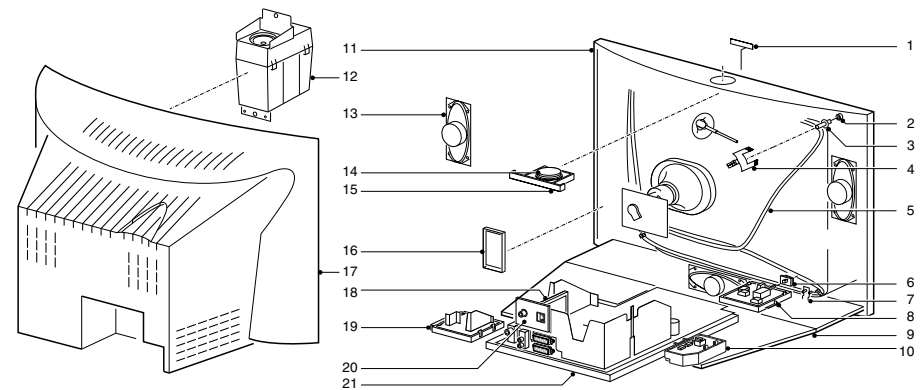
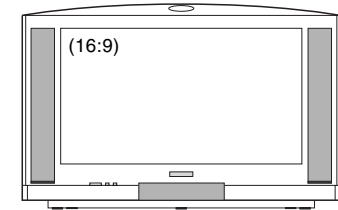
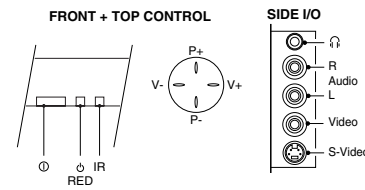
STYLING 297



STYLING 297.eps
160101

1a*	3139 137 71101	Cabinet	14d*	3139 124 33571	DVD interface bracket
1a*	3139 137 90611	Cabinet (/79B only)	15	9322 173 75682	CRT A68QCP893X001
1b*	3139 137 98831	Cabinet			(29" not for /73 & /79) SAMS
1c*	3139 137 74931	Cabinet (MEC tube only)	15	9322 174 24682	CRT A68QCP893X005
1c*	3139 137 71231	Cabinet (TOSB tube only)			(29" /73 & /79 only) SAMS
1d*	3139 137 91951	Cabinet	15	9322 156 43682	CRT M79LQM187X01
1f*	3139 137 94971	Cabinet			(34" /79 only) MEC
2a*	3139 124 31431	Rear cover	15	9322 175 69682	CRT A80LTM350X11 (34" /56,
2b*	3139 124 31401	Rear cover (w/o YUV input)			/57, /61 & /97 only) TOSB
2bf*	3139 124 31422	Rear cover (with YUV input)	15	9322 175 68682	CRT A80LTM351X11
2c*	3139 124 33731	Rear cover			(34" /69 & /71 only) TOSB
2d*	3139 124 35611	Rear cover	16bd*	3139 137 84471	Control knob assy
3abdf*	3141 050 00161	Wordmark PHILIPS	17	3139 128 23811	Rotation coil (29" & 34")
3c*	3141 050 00141	Wordmark PHILIPS	18c*	4822 402 11113	DAF bracket
4acf*	3139 137 64701	Mains knob assy	19abdf*	3139 124 39581	Rotation coil bracket (29" only)
4bd*	3139 137 83951	Mains knob assy	0017	3139 240 00041	DVD badge
5af*	2422 264 00379	Speaker 8Ω 10W	0018	3139 137 91461	DVD eject knob assy
5b*	2422 264 00403	Speaker 8Ω 10W	0019	3139 137 88931	DVD door assy
5cd*	2422 264 00377	Speaker 8Ω 10W	0047	3139 128 72421	Antenna mixer
6acd*	3141 058 63441	Subwoofer box (shielded cable)			(/61, /71 & /97 only)
7abdf*	3139 124 31122	Degaussing coil bracket	0049	3139 118 71853	Mains adaptor socket (/61 only)
7c*	3139 124 32811	Degaussing coil bracket	0072	3139 124 30411	Light guide
8	3111 250 40031	CRT screw	0082	3122 224 04623	Mains cord relief
9abdf*	3139 128 23781	Degaussing coil	0188	3122 224 04242	Heat-sink clamp bracket
9c*	3139 128 23801	Degaussing coil (MEC tube)	0189	3139 124 30531	Small signal board bracket
9c*	3139 128 23821	Degaussing coil (TOSB tube)	0313	3139 124 17541	Spacer for EHT cable
10acf*	3139 124 30432	Front interface bracket		1322 504 97401	Grease for EHT cap
10bd*	3139 124 33461	Front interface bracket	*a	29PT6361	
11acd*	3139 124 36361	Side AV bracket (not for /79B)	*b	29PT6021	
11d*	3139 124 34671	Side AV bracket - black (/79B only)	*c	34PT6361	
			*d	29PT6961	
11b*	3139 124 33611	Side AV bracket (dummy)			DVD module partlist,
12acf*	3139 124 30381	Top control bracket			refer to service manual
13acf*	3139 137 66921	Top control button assy	*f	29PT6341	3122 785 10840
14ac*	3139 124 31671	Double window bracket			

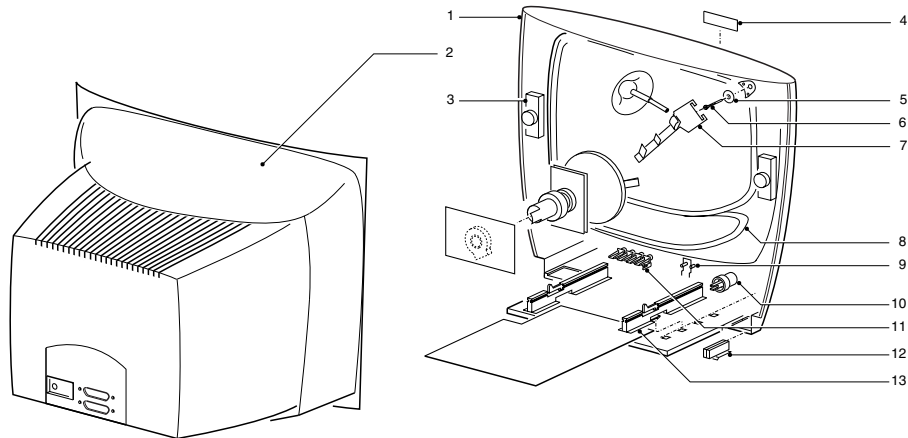
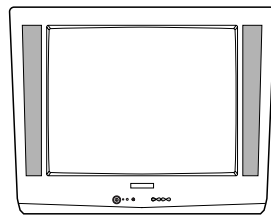
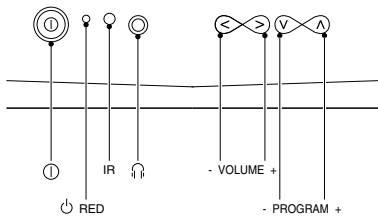
STYLING 298



STYLING 298.eps
160101

1	3111 250 00811	Wordmark 32" silver Philips	18	3139 124 33361	SSB bracket
1	3111 250 00731	Wordmark 28" silver Philips	19	3139 124 34031	Dolby interface backplate
2	Not applicable		21	3139 124 31631	Lightguide
3	4822 502 14602	CRT fixing screw		4822 402 11183	Mains cord holder
4	4822 403 70906	Corner coil bracket		2422 070 98089	Mains cord
				4822 321 11143	Mains cord UK
5	4822 157 11758	Degaussing coil 28"		4822 157 11825	Canceller coil 32"
5	2422 549 44564	Degaussing coil 32"			
6	3139 124 32511	Mains knob	ab*	4822 131 11345	Picture Tube 28"
8	3139 124 32521	Front interface		W66ECK001X14	Picture Tube 32"
9	3139 124 35291	Mains harmonic bracket (32" only)	c*	4822 131 11215	Picture Tube 32"
				W76ESF031X14+	Picture Tube 32"
			d*	9322 148 59682	Picture Tube 32"
				W76EGV023X315	
10ab*	3111 257 57161	Cabinet 28"	*a	28PW6315/01	
10c*	3111 257 57171	Cabinet 32"	*b	28PW6315/05	
11	3139 178 89221	Subwoofer	*c	32PW6315/01, /05	
12	2422 264 00377	Loudspeaker 8Ω 10W	*d	32PW6315/21, /25	
13	3139 137 66921	Top control button			
14	3139 124 33941	Top control bracket			
15	3139 124 31651	Side I/O bracket			
16	3111 257 56751	Rear cover 28"			
16	3111 257 56761	Rear cover 32"			
17	3139 124 33151	Dolby prologic bracket			

STYLING 299



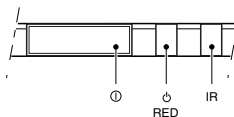
STYLING 299.eps
160101

1	3111 257 57201	Cabinet 28"
2	3139 137 88991	Rear cover 28"
3	4822 240 10368	Loudspeaker 16Ω 5W
4	4822 459 11155	Wordmark Philips
6	4822 505 11195	CRT fixing screw
7	4822 157 11762	Degaussing coil bracket 28"
8	4822 157 11762	Degaussing coil 28"
9	4822 380 10251	Light guide
10	3139 124 30581	Mains knob
11	4822 410 11765	Control knob
12	4822 404 31363	Mains cord relief
13	3139 124 30871	Chassis guide (HB)
13	3139 124 30881	Chassis guide (VO)
	4822 321 11493	Mains cord UK
	4822 321 11499	Mains cord
	4822 403 70906	Corner coil bracket
	4822 131 20559	Picture tube 28" A66EAK552X11

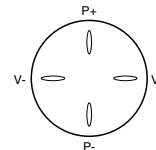
28PT5505/01

STYLING 301

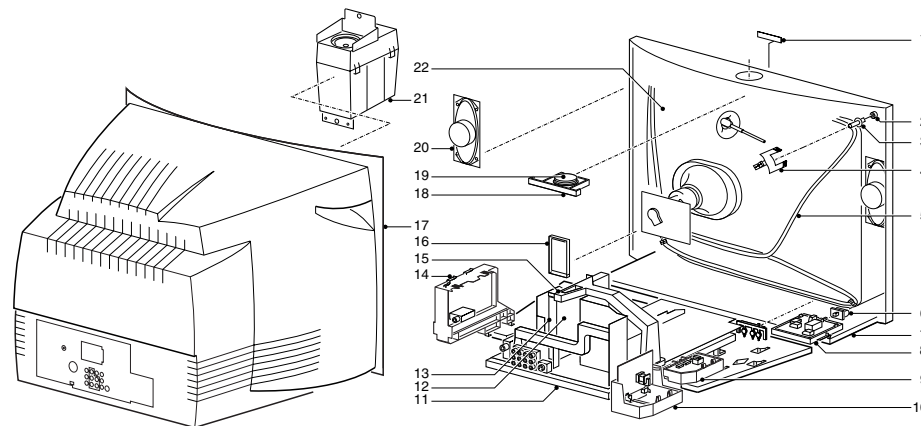
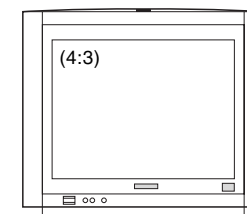
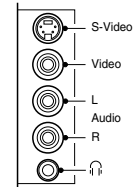
FRONT CONTROL



TOP CONTROL



SIDE I/O

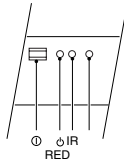


STYLING 301.eps
120201

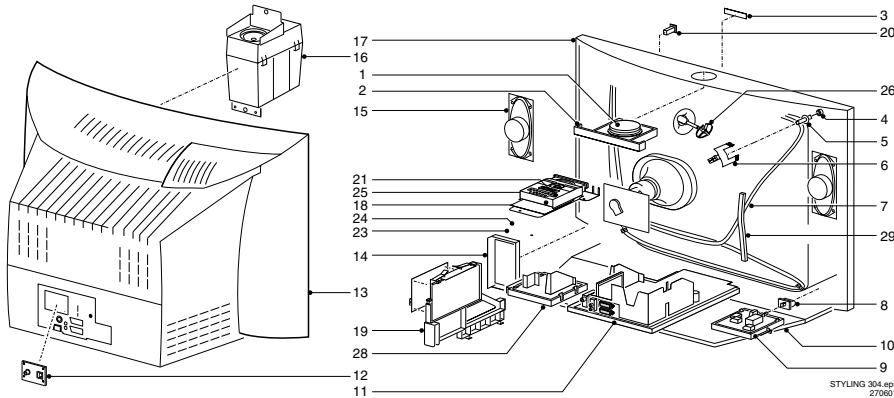
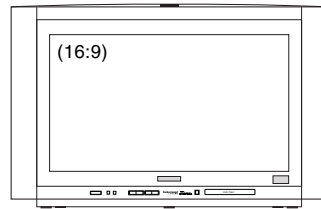
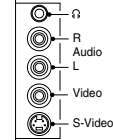
1	4822 454 13455	Wordmark	20	3139 128 76081	Loudspeaker assy
2	Not applicable	CRT insert	21	9099 291 10017	Subwoofer assy
3	4822 505 11195	CRT screw	22abcdg*	9322 160 14682	Picture tube A68QCP891X500
4	3139 124 31121	Degaussing coil fixing bracket	22e*	9322 160 15682	Picture tube A68QCP891X501
5	4822 157 11708	Degaussing coil	22f*	9322 160 16682	Picture tube A68QCP891X502
5h*	2422 549 44675	Degaussing coil	22hi	3104 309 16301	Picture tube A68QCP891X500
5ijkl*	3139 128 23781	Degaussing coil	22jkl*	3104 309 16311	M169
6	3104 307 96741	Mains knob assy			Picture tube A68QCP891X501
6h*	3104 307 97651	Mains knob assy			M169
7	3104 328 08451	Cabinet assy	a*	4622 007 51852	Mains cord
7h*	3104 328 12351	Cabinet assy	bg*	2122 070 98131	Mains cord
7ij*	3104 328 13541	Cabinet assy	c*	4822 321 11499	Mains cord
7k*	3104 328 15291	Cabinet assy	f*	3139 128 75231	Mains cord
7l*	3104 328 12981	Cabinet assy	h*	3104 328 16451	Mains cord
8	3139 124 30431	Bracket for Mains Switch panel	i*	3139 128 75251	Mains cord
8h*	3139 124 32891	Bracket for Mains Switch panel	j*	3139 128 75291	Mains cord
8ijkl*	3139 124 32521	Bracket for Mains Switch panel	k*	3139 128 75672	Mains cord
9	3139 124 33211	Bracket for Mains Harmonic panel	l*	3139 128 75261	Mains cord
				3122 224 04623	Mains cord holder
10	3104 304 21652	Bracket for DAF/DC-shift panel	ijkl*	3106 104 24932	Mains cord holder
11	3104 304 22832	Bracket for Large Signal Panel		3139 124 30411	Light guide
12	3104 301 24011	Shielding SSB (bottom cover)	hijkl*	3139 124 33811	Light guide
12hijkl*	3104 301 24051	Shielding SSB (bottom cover)	h*	3139 124 32791	Mains knob shaft
13	3104 301 24002	Shielding SSB (top cover)	ijkl*	3139 124 33011	Mains knob shaft
14cdefgk*	3104 304 22073	Bracket for PIP/Multivoltage panel		4822 157 11825	Rotation coil
				3128 138 60651	Rotation coil
14h*	3104 304 22431	Bracket for PIP/DW panel	hijl*	3104 304 21321	Cover plate YpbPr
14ijl*	3104 304 23801	Bracket for PIP	kl*	3104 308 78171	Adapter IEC/F-connector
15	3104 304 21114	Bracket for LOT/SSB	kl*	2422 031 10912	Adapter 300/750
16	3139 124 36361	Bracket for Side I/O panel	a*	29PT8319/57R	
17ab*	3104 328 12421	Rear cover assy	b*	29PT8319/93R	
17h*	3104 307 99121	Rear cover assy	c*	29PT8419/56R	
17ij*	3104 328 12991	Rear cover assy	d*	29PT8419/57R	
17k*	3104 304 23931	Rear cover assy	e*	29PT8419/69R	
17l*	3104 304 23851	Rear cover assy	f*	29PT8419/79R	
17	3104 328 08471	Rear cover assy	g*	29PT8419/93R	
18	3139 178 64271	Top Control assy	h*	27PT8419/17	
18h*	3139 178 82281	Top Control assy	i*	29PT8419/61R	
18ij*	3139 178 82271	Top Control assy	j*	29PT8419/71R	
18kl*	3139 178 60461	Top Control assy	k*	29PT8419/77	
19	3104 307 97181	Top Control keypad assy	l*	29PT8419/78	
19hijkl*	3139 137 66921	Top Control keypad assy			

STYLING 304

FRONT + TOP CONTROL

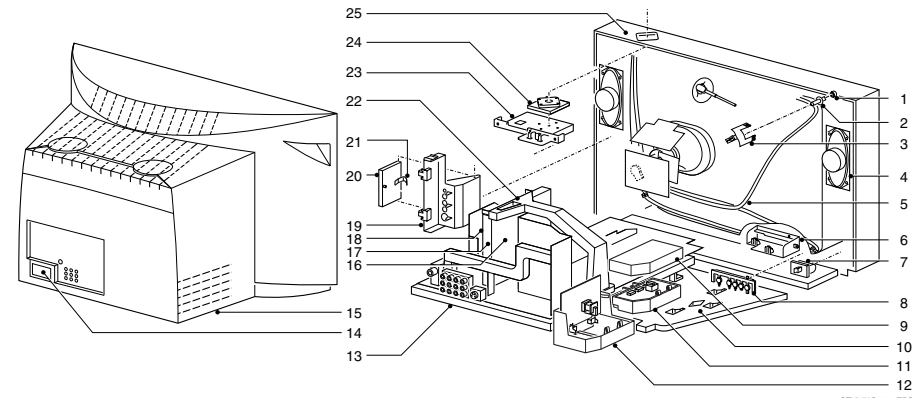
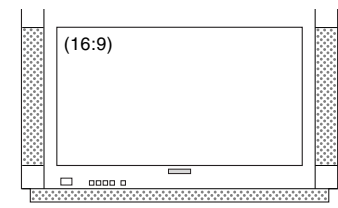
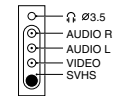
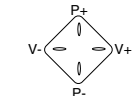
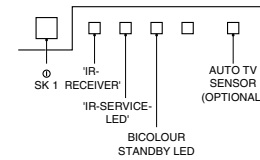


SIDE I/O



1	3139 137 66921	Top control button	25	3111 254 24921	DVD reader bracket
2	3139 124 33941	Top control bracket	26	4822 532 13136	EHT spacer
3	4822 454 13455	Wordmark	27b*	3139 124 34031	Dolby interface back plate
3b*	3111 250 00731	Wordmark PHILIPS	28b*	3139 124 33151	Dolby prologic bracket
5	4822 505 11195	CRT fixing screw (=310430877012?)	29	4822 404 31341	Coil clamp (=310430415291?)
6	4822 403 70906	Degaussing coil bracket		4822 404 31291	Mains cord relief
7	2422 549 44621	Degaussing coil 28"		3139 124 33811	Light guide
8	3139 124 33801	Mains knob		9301 805 90301	Picture tube 28" W66ERF001X013
9	3139 124 32521	Front interface bracket		4822 321 11139	Mainscord
11	3139 124 32542	Chassis tray		4822 321 11493	Mainscord UK
				3139 124 35291	Mains harmonic bracket
12	3139 124 33361	SSB bracket			
13a*	3111 257 56701	Rear cover	a*	311125756731	F/O DVD MODULE INTERFACE A10
13b*	3111 257 57531	Rear cover			F/O DVD/DPL MOD INTERFACE A10
13c*	3111 257 57451	Rear cover	b*	311125757581	F/O DVD LOADER A10
14	3139 124 31651	Side I/O bracket			F/O DVD/DPL LOADER A10
15	2422 264 00377	Loudspeaker 8Ω 10W	a*	311125756721	F/O DOOR DVD 28RF A10
			b*	311125757741	
16	3139 128 76372	Subwoofer	a*	311125756712	
17a*	3111 257 56691	Cabinet	b*	311125756712	
17b*	3111 257 57521	Cabinet			
17c*	3111 257 57441	Cabinet	*a	28PW6816	
18	3139 121 27061	DVD top shielding	*b	28PW6826	
19	3139 124 33571	DVD interface bracket	*c	28PW6526	
20	3139 137 91461	DVD eject knob			
21ab*	3111 257 56712	DVD door			
22	3111 254 25181	DVD loader bracket			
23	3111 251 20341	DVD bottom shielding			
24	3111 254 25191	DVD stopper			

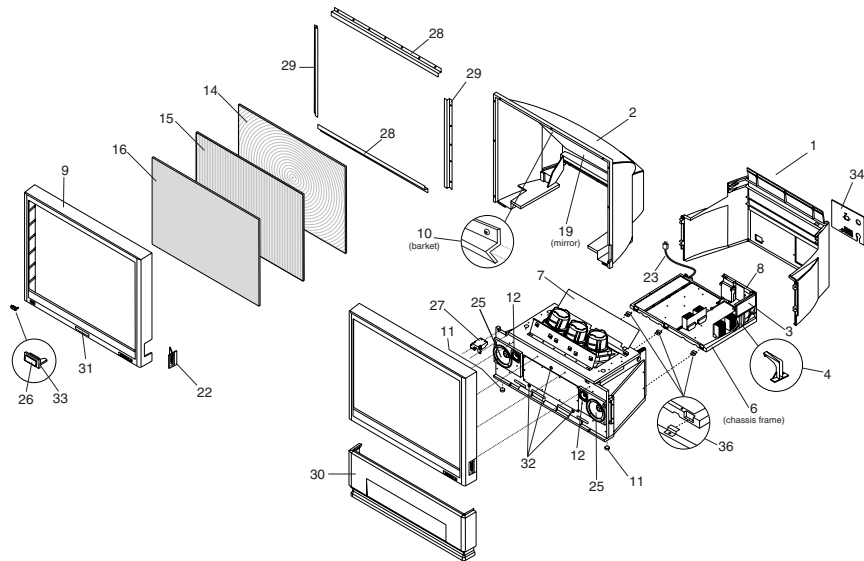
STYLING 305



1bdgh*	3104 308 74023	CRT insert 32"	22cd*	3104 304 23011	Bracket for LOT/SSB
2acef*	4822 505 11195	CRT screw	23	3104 304 19794	Top Control bracket
2bdgh*	4822 502 21359	CRT screw	24	3104 304 20921	Top Control keypad
3acef*	4822 403 70906	Bracket fix deg. coil (4x)	25a*	3104 328 14813	Cabinet assy
3bdgh*	4822 404 31289	Bracket fix deg. coil (4x)	25b*	3104 328 14804	Cabinet assy
4	2422 264 00386	Loudspeaker	25ce*	3104 328 15001	Cabinet assy
5acef*	2422 549 44621	Degaussing coil	25d*	3104 328 14991	Cabinet assy
5bdgh*	2422 549 44244	Degaussing coil	25f*	3104 328 20102	Cabinet assy
6	3104 304 21853	Bracket mains unit	25gh*	3104 328 20132	Cabinet assy
7ab*	3104 307 98171	Mains knob	a*	3104 300 12201	Wordmark
7cd*	3104 307 97721	Mains knob	b*	3104 300 12191	Wordmark
7efgh*	3104 307 96232	Mains knob	cef*	4822 454 13455	Wordmark
8	3104 304 21871	Light guide	dgh*	4822 454 13399	Wordmark
9abefgh*	3104 304 22762	Cover for Mains Harmonic panel	ace*	9301 852 40306	CRT Mk1
			acef*	9301 899 90306	CRT Mk2 (>= AG31/EM2E or AG12/EM3E)
10	3104 304 22012	Bottom plate	bd*	9301 852 00314	CRT Mk1
11abefgh*	3104 304 22751	Bracket for Mains Harmonic panel	bdgh*	9301 880 70314	CRT Mk2 (>= AG31/EM2E or AG12/EM3E)
12abefgh*	3104 304 21652	Bracket for DAF/DC-shift panel			Rotation coil
12cd*	3104 304 23041	Bracket for DAF/DC-shift panel	ab*	4822 157 11825	Rotation coil
13abefgh*	3104 304 21293	Bracket for LSP	cd*	3128 138 60651	Rotation coil
13cd*	3104 304 23001	Bracket for LSP	efgh*	3128 138 60661	Rotation coil
14b*	3104 304 22301	Service connector cover			Mains cord (/05)
14acdefgh*	3104 304 22312	Service connector cover			4822 321 11499
15ae*	3104 307 96331	Rear cover assy			2422 070 98132
15b*	3104 307 96342	Rear cover assy			4822 402 11183
15c*	3104 307 97381	Rear cover assy			3104 300 20181
15d*	3104 307 97391	Rear cover assy			
15f*	3104 308 10221	Rear cover assy			3104 300 20191
15gh*	3104 307 96254	Rear cover assy			
16	3104 301 23963	SSB shielding (bottom cover)			
17abefgh*	3104 301 23942	SSB shielding (frame)			
17cd*	3104 301 24121	SSB shielding (frame)	a*	28PW8707/xx	
18	3104 301 23952	SSB shielding (top cover)	b*	32PW8707/xx	
19abdfgh*	3104 304 24041	Bracket for Side I/O panel	c*	28PW8807/xx	
19ce*	3104 304 21932	Bracket for Side I/O panel	d*	32PW8807/xx	
20	3104 301 23972	Metal spring for door	e*	28PW8817/xx	
20	3104 308 70381	Locking unit for door	f*	28PW8717/xx	
21	3104 304 21911	Door Side I/O	g*	32PW8717/xx	
22abefgh*	3104 304 25291	Bracket for LOT/SSB	h*	32PW8757/xx	

STYLING 305.EPS
120301

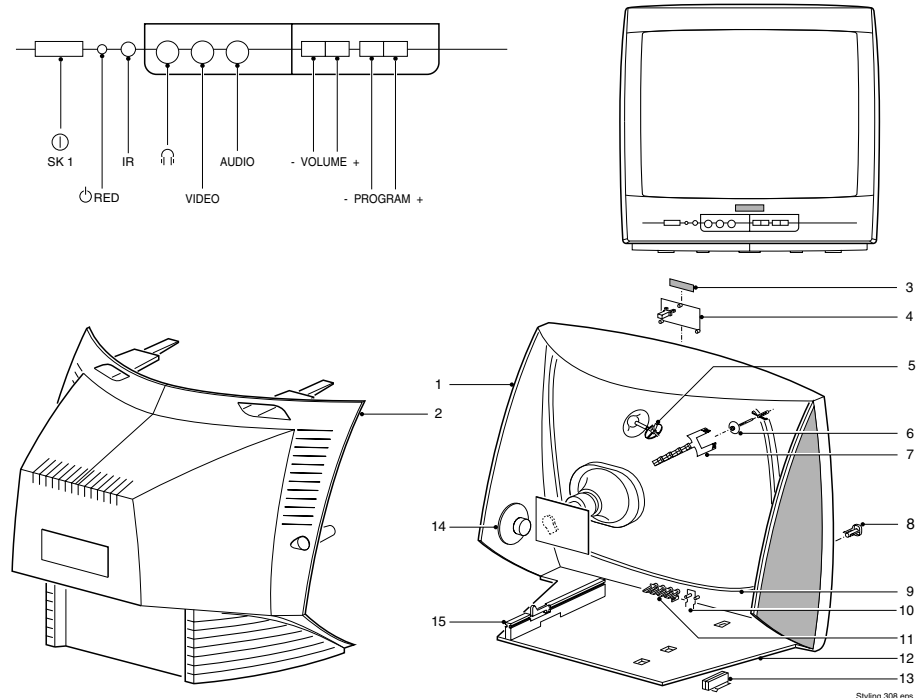
STYLING 306



STYLING 306.eps
020301

1	3135 014 10133	Back cover 43"	26	3135 014 10421	Button
2	3135 037 50021	Back upper assembly	27	3135 014 10361	Housing vacation switch
3	3135 014 10062	Pip frame	28	3135 011 04481	Screen top and bottom bracket
4	3135 014 10321	SSB support bracket	28	3135 034 01452	Screen bracket hor. for 43PP6360
6	3135 014 09962	Chassis frame	29	3135 011 04491	Screen side bracket
7	3135 013 03731	Rear barrier 43"	29	3135 034 01461	Screen bracket ver. for 43PP6360
8	3135 014 10331	Rear jack frame tuner	30	3135 017 07452	Grill Assy
9	3135 017 07443	Front Assy	30	3141 057 64161	Grill Assy 43PP6360
9	3141 057 64171	Front Assy 43PP6360	31	3135 015 02511	Wordmark
10	3135 011 04611	Mirror mounting bracket	32	3135 013 02761	Baffle mounting cup
11	3135 010 09741	Foot	33	3135 017 06971	Vacation switch button Assy
12	2422 264 00422	Loudspeaker tweeter 8Ω 25W	34	3135 015 20021	Label overlay rear jack panel
14	3135 014 10311	Fresnel lens 43"	36	3135 011 02011	Chassis mounting bracket
15	3135 014 10301	Lenticular lens 43"			
16	3135 014 10022	Screen filter 43"			
19	3135 034 90011	Mirror 2nd surface 43"			
22	3135 017 07462	Side jack Assy			
22	3141 058 63571	Side jack Assy 43PP6360			
23	2422 070 98155	Mains cord AUS			
25	2422 264 00421	Loudspeaker woofer 8Ω 25W			

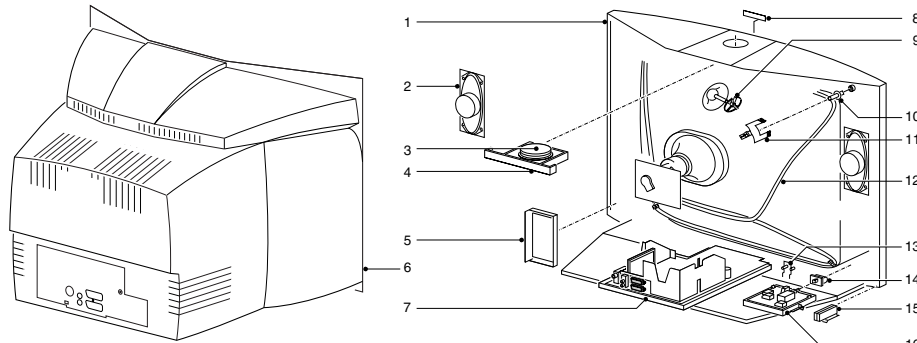
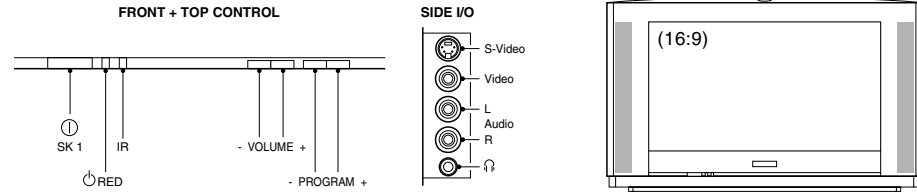
STYLING 308



Styling 308.eps
270601

1	3139 137 83691	Cabinet (/xxB) Turquoise	8	3139 137 79221	Mains knob
1	3139 137 83711	Cabinet (/xxA) Amber	9	2422 549 44446	Degaussing coil
1	3139 137 91241	Cabinet (/xxV) Amethyst	10	3139 124 34051	Light guide
1	3139 137 91251	Cabinet (/xxG) Aquamarine	11	3139 137 79231	Control knob
1	3139 137 83721	Cabinet (/xxP) Pearl	12	3139 124 34111	Bottom plate (VO)
1	3139 137 83701	Cabinet (/xxS) Silver Shadow	13	4822 404 31291	Mains cord relief
1b*	3111 257 58441	Cabinet Silver Chrome	14	2422 264 00412	Loudspeaker 8Ω 10W
2	3139 137 91221	Rear Cover (/xxB) Turquoise	15	3139 124 34091	Chassis guide (VO)
2	3139 137 91201	Rear Cover (/xxA) Amber			
2	3139 137 91231	Rear Cover (/xxV) Amethyst			
2	3139 137 91231	Rear Cover (/xxG) Aquamarine	4822 321 11499	Mains cord EU	
2	3139 137 91211	Rear Cover (/xxP) Pearl	4822 321 11493	Mains cord UK	
2	3139 137 91191	Rear Cover (/xxS) Silver Shadow	3111 257 56161	Rod antenna (/01x, /58x)	
2b*	3139 138 18151	Rear Cover Silver Chrome	4822 303 91283	Aerial (/05x)	
3	Not applicable		9301 862 00313	Picture tube A34EAC11X113	
4	3139 137 85461	Door (/xxA) Turquoise	*a	14PT1686	
4	3139 137 85481	Door (/xxB) Amber	*b	14PT2002	
4	3139 137 91181	Door (/xxV) Amethyst			
4	3139 137 91171	Door (/xxG) Aquamarine			
4b*	3139 138 18171	Door Silver Chrome			
4	3139 137 85471	Door (/xxP) Pearl			
4	3139 137 85451	Door (/xxS) Silver Shadow			
5	4822 401 11765	Coil & THT clamp			
6	4822 502 30739	CRT Fixing screw			
7	4822 404 31325	Degaussing coil bracket			

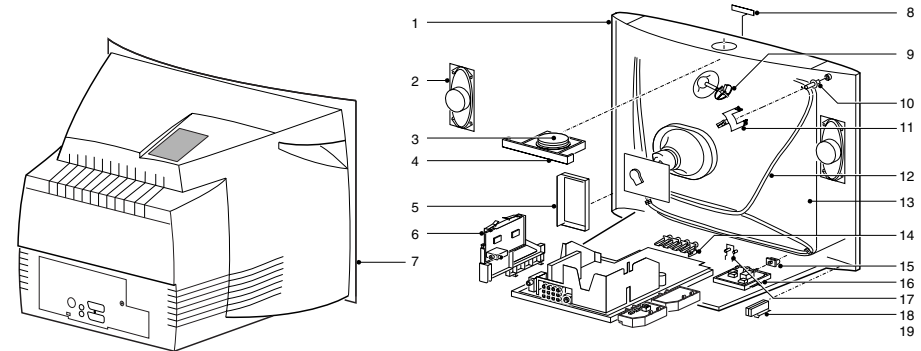
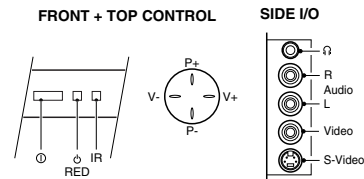
STYLING 311



Styling 311.eps
270601

1	3111 257 56911	Cabinet	12e*	2422 549 44248	Degaussing coil 28"
2	2422 264 00409	Loudspeaker 8Ω.5W	13	3139 124 31631	Light guide
3	3139 137 66921	Top control button	14	3139 124 32511	Mains knob
3d*	3139 138 10811	Top control button	14	3139 124 33011	Mains knob shaft
4	3139 124 30381	Top control bracket	15	4822 404 31291	Mains cord relief
			16bce*	3139 124 32522	Front interface bracket
4d*	3139 124 39461	Top control bracket			
5	3139 124 37662	Side AV bracket	ac*	4822 321 11499	Mains cord EU
6	3139 124 35241	Rear cover	b*	4822 321 11493	Mains cord UK (/05, /25)
7	3139 124 33541	Chassis tray		4822 131 11345	Picture tube W66ECK001X14
8	4822 454 13455	Wordmark Philips			
			*a	28PW6006/01	
			*b	28PW6006/05	
			*c	28PW6006/58	
9	4822 401 11765	EHT and degaussing coil clamp	*d	28PW6106/05	
9e*	3111 254 23481	EHT and degaussing coil clamp	*e	28PW6206/01	
10	4822 502 14602	CRT fixing screw			
11	4822 403 70906	Degaussing coil bracket			
12	4822 157 11758	Degaussing coil 28"			

STYLING 312



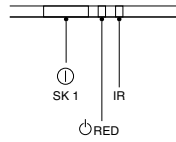
Styling 312.eps
270601

1	3111 257 56891	Cabinet 29"
2	3139 128 76301	Loudspeaker 8Ω 5W
3	3139 137 66921	Top control button
4	3139 124 30381	Top control bracket
5	3139 124 37662	Side AV bracket
7	3111 257 56641	Rear cover
8	4822 454 13455	Wordmark Philips
9	3111 254 23481	EHT & degaussing coil clamp
9c*	4822 404 31341	EHT & degaussing coil clamp
10	4822 505 11195	CRT fixing screw
11	3139 124 31122	Corner coil bracket
11c*	3104 304 14411	Corner coil bracket
12	2422 549 44579	Degaussing coil 29"
12c*	3104 308 20381	Degaussing coil 29"
15	3139 124 33801	Mains knob
16	3139 124 32522	Front interface bracket
17	3139 124 33811	Light guide
18	4822 404 31291	Mainscord relief
19	3139 124 33541	Chassis tray
	4822 532 13136	Insulator ring (VO)
	4822 321 11499	Mains cord EU
a*	9322 162 09682	Picture tube 29"
		A68QCP891X604
b*	9322 177 18682	Picture tube 29"
		A68QCP891X628
c*	9301 915 20347	Picture tube 29"
		A68ERF012X013

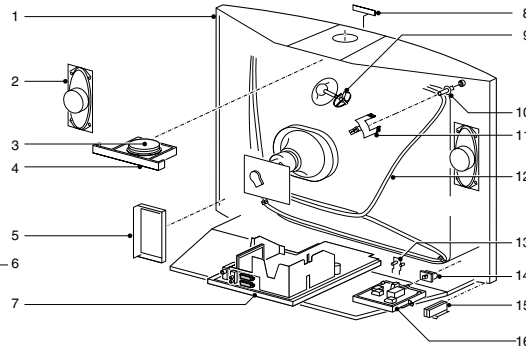
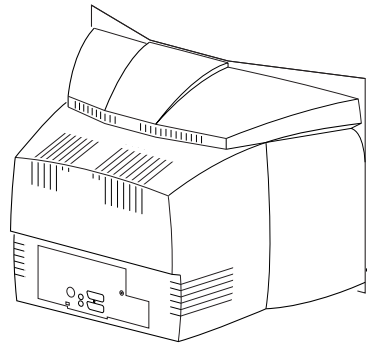
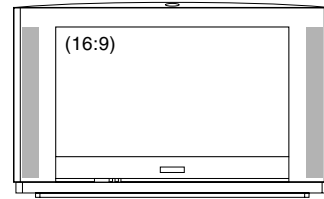
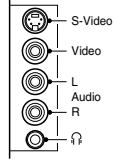
*a 29PT5506/01, /01E, /58
*b 29PT5507/01, /58
*c 29PT5507/21

STYLING 313

FRONT + TOP CONTROL



SIDE I/O

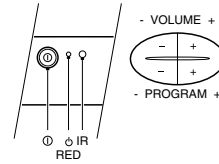


Styling 313.apx
270601

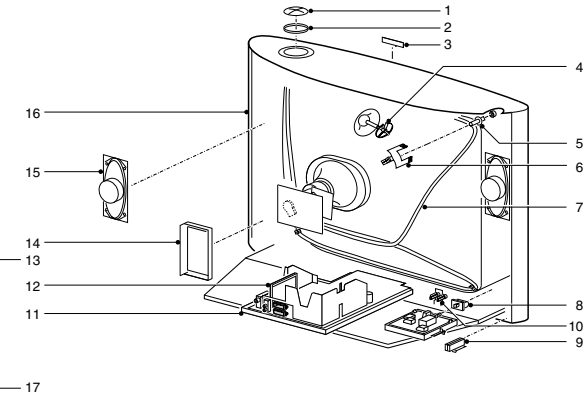
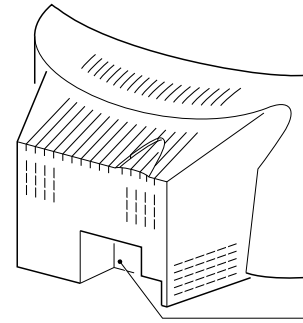
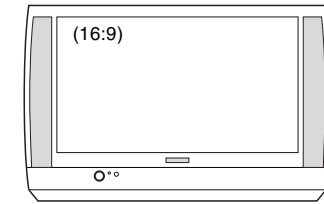
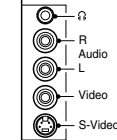
1	3111 257 56931	Cabinet 32"
2	2422 264 00409	Loudspeaker 8Ω5W
3	3139 137 66921	Top control button
4	3139 124 30381	Top control bracket
5	3139 124 37661	Side AV bracket
6	3139 124 37221	Rear cover 32"
7	3139 124 33541	Chassis tray
8	3111 250 00811	Wordmark Philips
9	4822 401 11765	Coil & EHT clamp
10	4822 502 14602	CRT fixing screw
11	4822 403 70906	Degaussing coil bracket
12	2422 549 44564	Degaussing coil 32"
13	3139 124 31631	Light guide
14	3139 124 32511	Mains knob cover
14	3139 124 33011	Mains knob shaft
15	4822 404 31291	Mains cord relief
16	3139 124 32521	Front interface bracket
ac*	4822 321 11499	Mains cord EU
b*	4822 321 11493	Mains cord UK
	3139 128 75230	Mains cord AUS/NZ
	4822 131 11215	Picture tube W76ESF031X14 (9301 713 30314)
d*	9322 166 53682	Picture tube W76EGV023X815
*a	32PW6006/01	
*b	32PW6006/05	
*c	32PW6006/58	
*d	32PW6006/21/25/48	
*e	32PW6006/79R	

STYLING 315

FRONT + TOP CONTROL



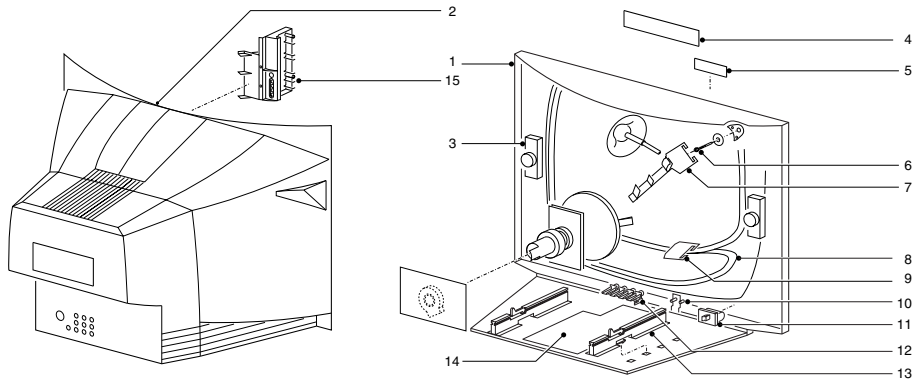
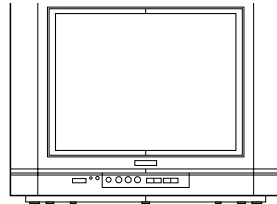
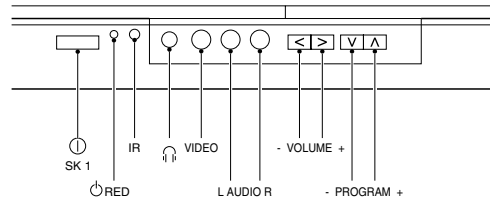
SIDE I/O



Styling 315.apx
270601

1	3139 137 77561	Top control assy
2	3139 124 26992	Top control bracket
3	3111 250 00811	Wordmark PHILIPS
4	4822 401 11765	Coil & EHT clamp
5	4822 502 14602	CRT fixing screw
6	4822 403 70906	Degaussing coil bracket
7	2422 549 44564	Degaussing coil 32"
8	3139 137 75631	Mains knob
9	4822 401 11764	Mains cord relief
10	4822 380 10238	Light guide
11	3139 124 33541	Chassis tray
12		Not applicable
13	3139 124 38861	Rear cover
14	3139 124 38881	Side AV bracket
15	2422 264 00404	Loudspeaker 8Ω6W
16	3111 257 56921	Cabinet 32"
17	3139 124 38701	Rear jack panel
a*	4822 131 11215	Picture tube 32" W76ESF031X14
b*	9322 166 53682	Picture tube 32" W76EGV023X815
	4822 321 11499	Mains cord EU
	4822 321 11493	Mains cord UK (/05, /25)
*a	32PW5407/01, /05	
*b	32PW5407/21, /25	

STYLING 321

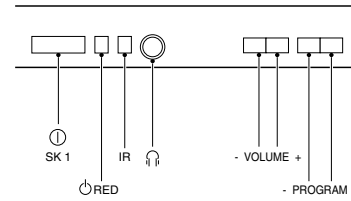


Styling 321.eps
190302

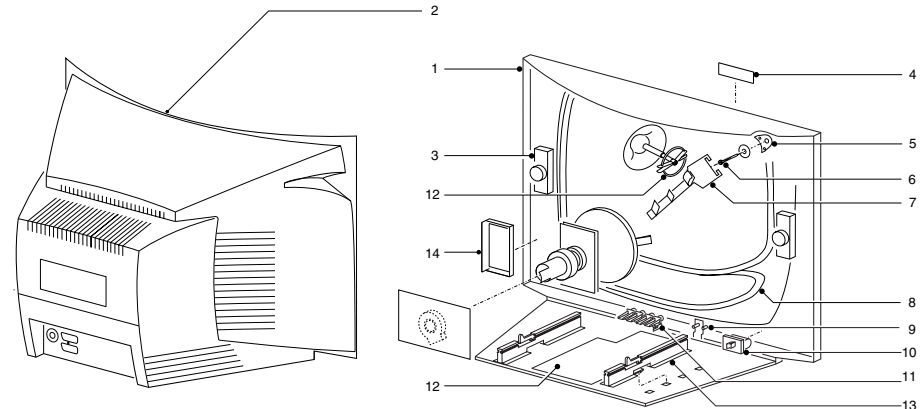
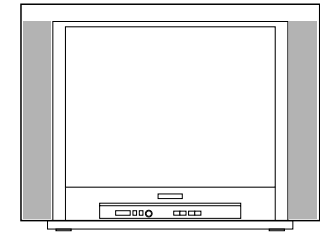
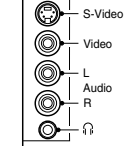
1	3139 137 79011	Cabinet (HP+3AV)
2	3139 124 38061	Rear Cover (9AV+SVHS)
3	2422 264 00419	Loudspeaker 16Ω 5W
4	3139 137 83961	Cinch door
5	3139 120 01451	Wordmark
6	4822 502 14508	CRT fixing screw
7	4822 404 31434	Coil clamp
8	4822 404 31434	Degaussing coil 15" multi voltage
9	4822 404 31025	Corner coil bracket
10	3139 124 34321	Light guide
11	3139 137 79101	Mains knob
12	3139 137 79111	Control knob
13	3139 124 34091	Chassis guide (VO)
14	3139 124 34361	Bottom plate (VO)
15	not applicable	
	932216343682	Picture tube 15" A36QDT351X01
	15PT2301, 15PT2302, 15PT1320	

STYLING 326

FRONT + TOP CONTROL



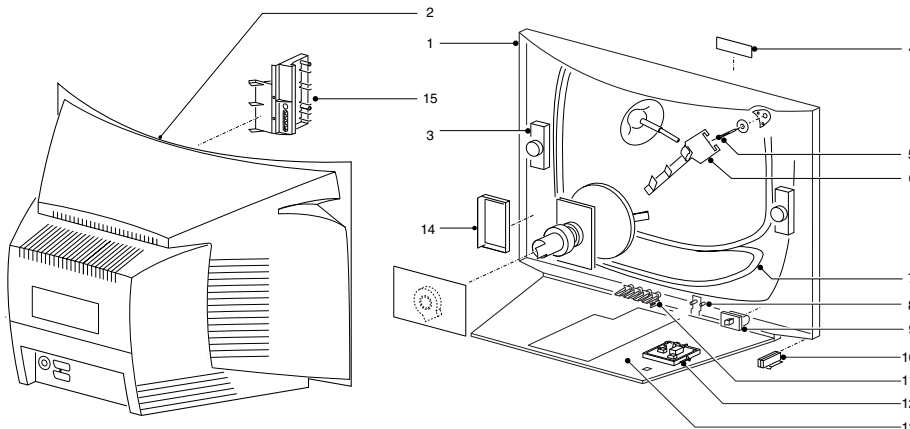
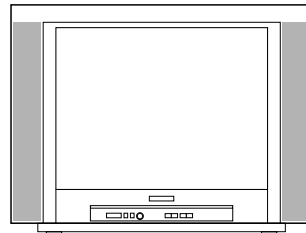
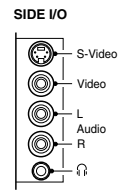
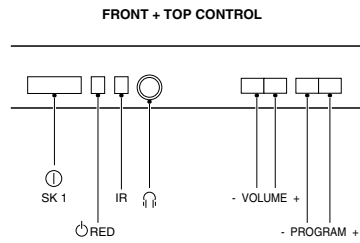
SIDE I/O



Styling 326.eps
202011

1a*	3139 138 15311	Cabinet 25"
1b*	3139 137 79441	Cabinet 25"
2a*	3139 124 41081	Rear cover 25"
2b*	3139 124 37391	Rear cover 25"
3	2422 264 00444	Loudspeaker 8Ω 10W
4	3141 050 00161	Wordmark Philips
5	Not applicable	
6	3104 308 77012	CRT fixing screw
7	3139 124 21802	Degaussing coil bracket
8	3139 128 23371	Degaussing coil 25"
9	3139 124 32221	Light guide
10	3139 124 36331	Mains knob
11	3139 124 36311	Control knob
12	3139 124 17541	EHT spacer
13	3139 124 25893	Chassis guide (VO)
14	3139 124 39541	Side-AV bracket(HP+3AV)
	9322 163 87682	Picture tube 25" A59QDF891X001
*a	25PT2252/71R	
*b	25HT2212/67R, 25HT2211/69Z	

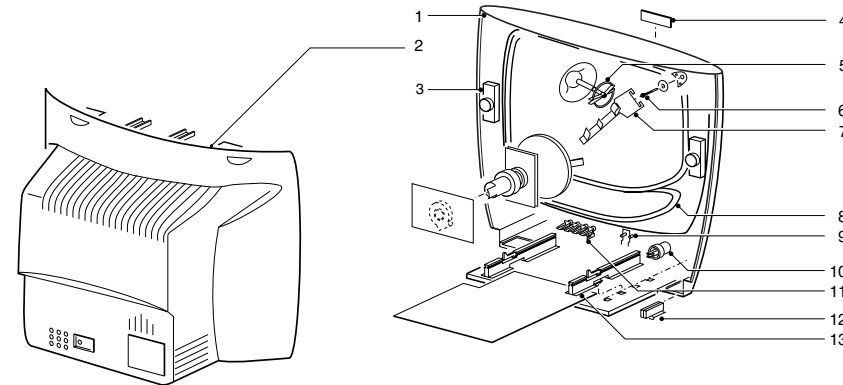
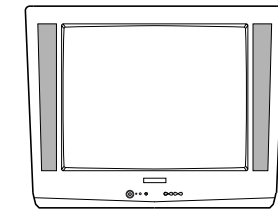
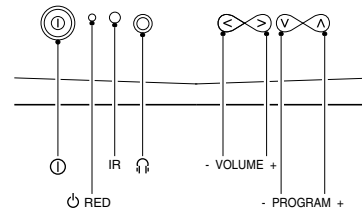
STYLING 328



Styling 328.eps
200321

1a*	3139 137 87451	Cabinet 29"
1b*	3139 138 15851	Cabinet 29"
1c*	3139 138 15411	Cabinet 29"
2	3139 124 37231	Rear cover
3	2422 264 00442	Loudspeaker 8Ω5W
4	3141 050 00161	Wordmark PHILIPS
5	3104 308 77012	CRT fixing screw
6	3139 124 31122	Degaussing coil bracket
7	3139 128 23781	Degaussing coil 29" full range
8	3139 124 30411	Light guide
9	3139 124 36331	Mains knob
10	3122 224 04623	Mainscord relief
11	3139 124 36311	Control knob
12	3139 124 33461	Front interface bracket
13	3139 124 33531	Chassis tray
14	3139 124 33611	Side AV bracket
15	not applicable	
a*	9322 142 09682	Picture tube 29" A68QCP891X001
bc*	9322 173 75682	Picture tube 29" A68QCP893X001
*a	29PT2252	
*b	29PT2252/71R	
*c	29PT2252/97R	

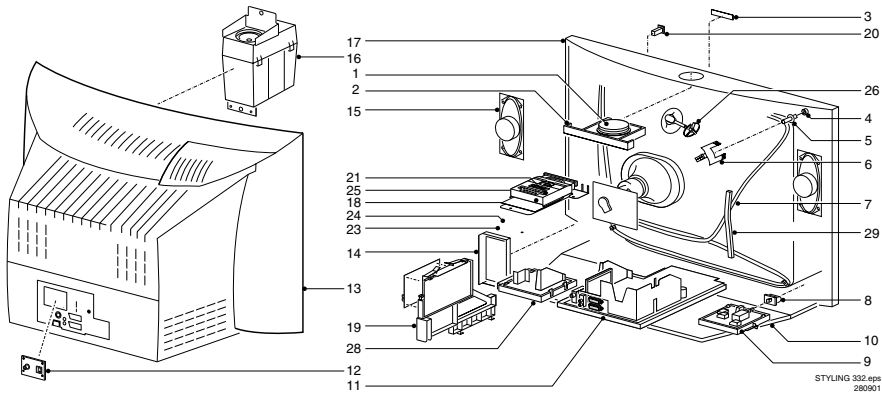
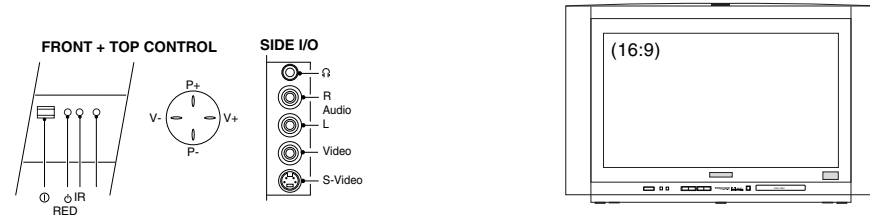
STYLING 329



Styling 329.eps
040701

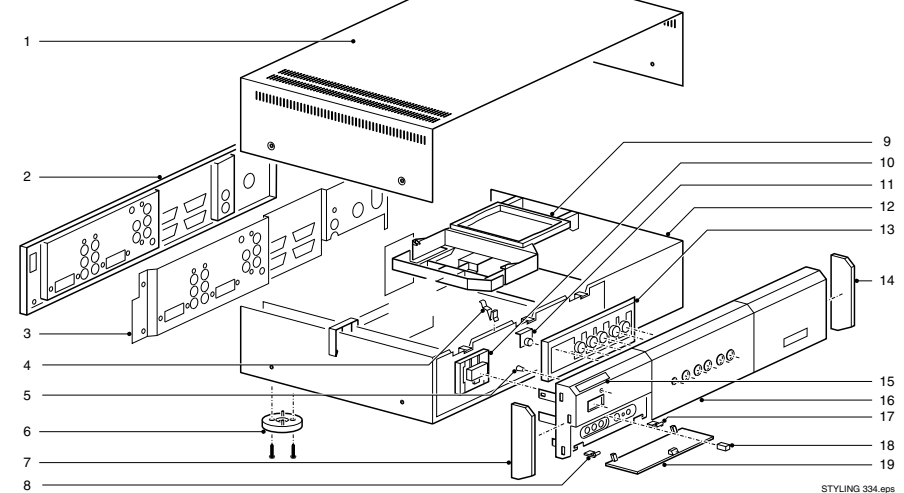
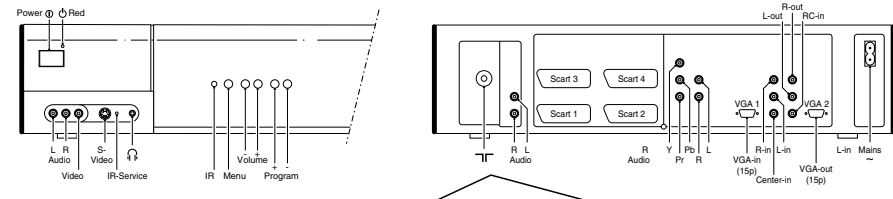
1	3139 137 78821	Cabinet 29"
2	3139 124 35131	Rear cover 29"
3	2422 264 00404	Loudspeaker 8Ω6W
4	3139 120 01361	Wordmark (grey)
5	4822 532 61201	EHT Spacer
6	4822 505 11195	CRT fixing screw
7	4822 492 71627	Degaussing coil bracket
8	4822 157 11549	Degaussing coil 29" Multi-volt
8	4822 157 11551	Degaussing coil 29" Single-volt (.../79R)
8	4822 157 11549	Degaussing coil 29" multi volt (.../71R)
9	4822 380 10251	Light guide
10a*	4822 410 11766	Mains knob
10b*	3139 137 80321	Mains knob
11a*	4822 410 11765	Control knob
11b*	3139 137 80311	Control knob
12a*	4822 404 31363	Mains cord relief
12b*	3122 224 04623	Mains cord relief
13	4822 463 11225	Chassis guide (HB)
13	4822 463 11226	Chassis guide (VO)
	3139 128 75211	Mains cord
	3139 128 75230	Mains cord (.../79R)
	4822 131 20628	Picture tube 29" A68AJB82X01
a*	29PT2152	
b*	29PT2152/71R	

STYLING 332



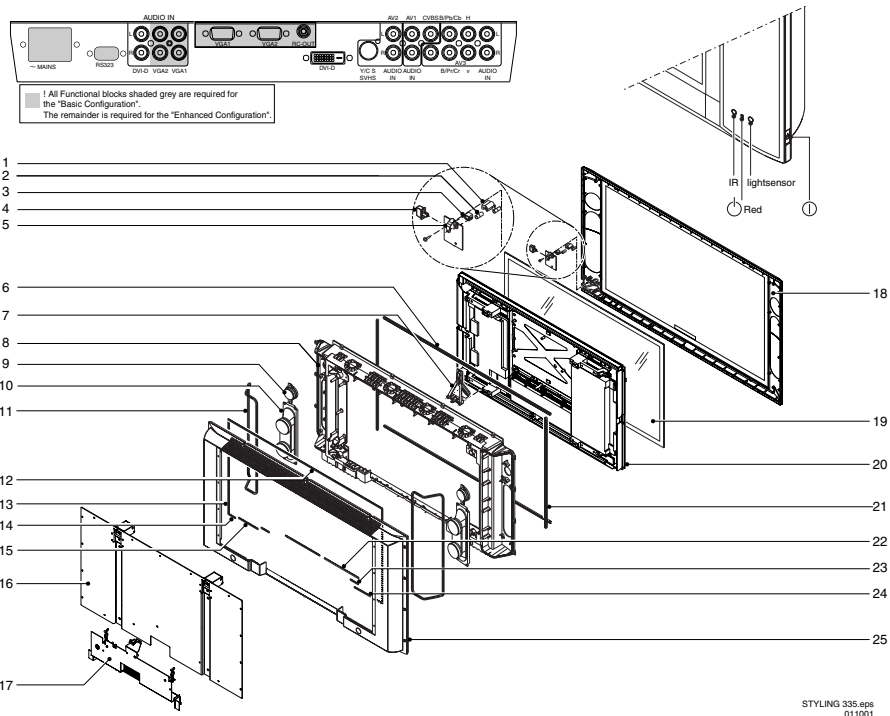
1	3139 137 66921	Top control button	21ab*	3139 137 99951	DVD door
2	3139 124 33941	Top control bracket	22	3111 254 25181	DVD loader bracket
3	3111 250 00811	Wordmark Philips	23	3111 251 20341	DVD bottom shielding
5	3111 250 40031	CRT fixing screw	24	3111 254 25191	DVD stopper
6	3104 304 14713	Degaussing coil bracket	25	3111 254 24921	DVD reader bracket
7	2422 549 44244	Degaussing coil 32"	26	3111 254 23481	EHT & degaussing coil clamp
8	3139 124 33801	Mains knob	28	3139 124 33152	Dolby prologic bracket
9	3139 124 32521	Front interface bracket	29	3104 304 15291	Degaussing coil clamp
11	3139 124 32542	Chassis tray		3104 304 14414	Corner coil bracket
12	3139 124 33361	SSB bracket		3104 304 14765	Mains cord relief
13a*	3111 257 57471	Rear cover		3104 308 75701	VO insulator ring
13b*	3139 124 38801	Rear cover		4622 009 50481	Mains cord UK
14	3139 124 31651	Side I/O bracket		4622 009 50501	Mains cord EU
15	2422 257 20547	Loudspeaker 8Ω 15W		9301 800 90314	Picture tube 32"
16	3139 128 76372	Subwoofer			W76ERF001X013
17a*	3111 257 57461	Cabinet 32" DPL		3139 124 33811	Light guide
17b*	3139 137 99511	Cabinet 32" DVD/DPL		3139 124 35291	Mains harmonic bracket
18	3139 121 27061	DVD top shielding	*a	32PW6526	
19	3139 124 33572	DVD interface bracket	*b	32PW6826	
20	3139 124 33561	DVD eject knob			

STYLING 334



1	3122 128 13411	Top cover	9	3122 124 35771	Bracket for FBX/DW
2	3122 128 13741	Connector plate	10	3122 128 13441	Mains knob
2	3122 128 13662	Connector plate -/17S	11	3122 124 35881	Window
3	3122 121 35821	Shielding	12	3122 128 13451	Frame assy
3	3122 121 67152	Shielding -/17S	13	3122 128 13731	Knob frame
4	3122 121 67141	Spring	14	3122 128 13721	Side panel right
5	3122 124 35861	Light guide	15	3139 247 51831	Wordmark
6	4822 462 11187	Foot	16	3122 128 13421	Front
7	3122 128 13711	Side panel left	16	3122 128 14351	Front -/17S
8	4822 417 11384	Hinge left	17	4822 417 11385	Hinge right
9	3122 124 35771	Bracket for FBX/DW	18	4822 417 50289	Lock
10	3122 128 13441	Mains knob	19	3122 128 13431	Door
11	3122 124 35881	Window	19	3122 128 14341	Door -/17S
12	3122 128 13451	Frame assy			
13	3122 128 13731	Knob frame			
14	3122 128 13721	Side panel right			
15	3139 247 51831	Wordmark			
16	3122 128 13421	Front			
16	3122 128 14351	Front -/17S			
17	4822 417 11385	Hinge right			
18	4822 417 50289	Lock			
19	3122 128 13431	Door			
19	3122 128 14341	Door -/17S			
	3128 147 12231	RC2042/01B			
	3139 147 13201	RC2043/01B			
	3104 300 20201	Adapter F to PAL			
	2422 070 98152	Mains cord US			
	2422 070 98149	Mains cord EUR			
	2422 070 98147	Mains cord UK			

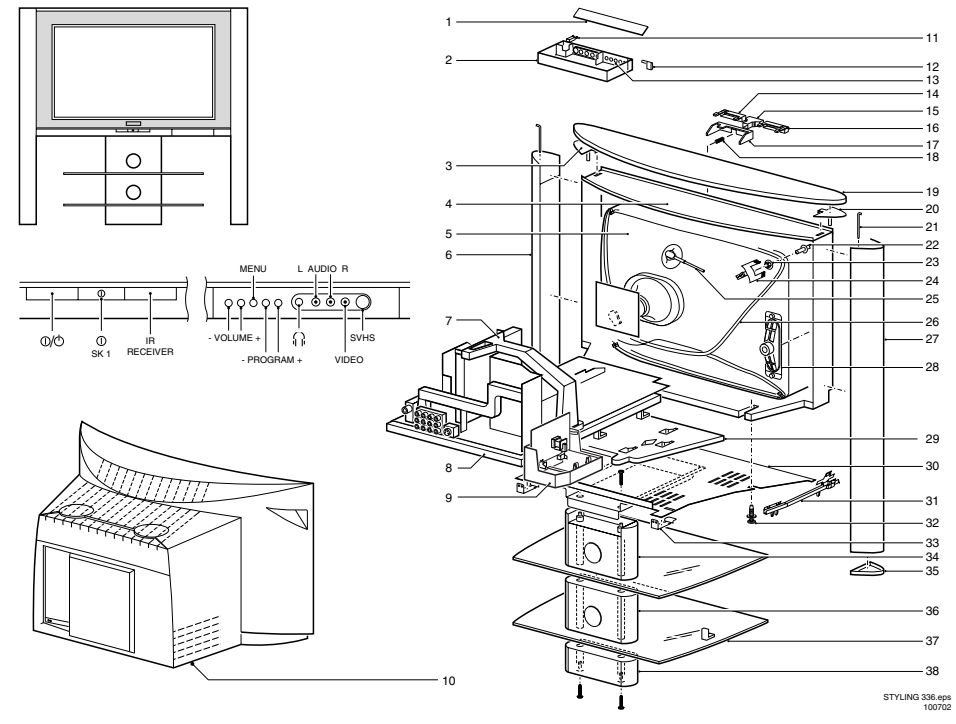
STYLING 335



STYLING 335.eps
011001

1ab*	3122 124 36071	Lens	21cdef*	3122 358 76473	EMC shielding foam short
1cd*	3122 124 36211	Lens	22ab*	3122 358 76191	EMC shielding foam bottom 3
1ef*	3122 124 36261	Lens	22cdef*	3122 358 76401	EMC shielding foam bottom 3
2	3122 124 36271	Light guide	23ab*	3122 358 76181	EMC shielding foam bottom 2
3abcd*	3122 124 36081	Day light filter	23cdef*	3122 358 76391	EMC shielding foam bottom 2
4abcd*	3122 128 13901	On/off knob	24ab*	3122 358 76171	EMC shielding foam bottom 1
4ef*	3122 128 14292	On/off knob	24cdef*	3122 358 76381	EMC shielding foam bottom 1
5abcd*	3122 121 67251	Led switch spring	25ab*	3122 128 13871	Back display assy
6ab*	3122 358 76201	EMC shielding foam long	25cd*	3122 128 14221	Back display assy
6cd*	3122 358 76463	EMC shielding foam long	25ef*	3122 128 14261	Back display assy
7	3122 124 36172	Cable track	cdef*	3122 358 76431	EMC shielding foam bottom 6
8ab*	3122 128 13911	Shielding frame	cdef*	3122 128 14461	PDP bracket Large
8cd*	3122 128 14231	Shielding frame	cdef*	3122 128 14441	PDP bracket left
8ef*	3122 128 14271	Shielding frame	cdef*	3122 128 14451	PDP bracket right
9abcd*	2422 264 00432	Tweeter		4622 007 51971	Mains cord EU
10abcd*	2422 264 00433	Loudspeaker twin		2422 070 98107	Mains cord UK
11abcd*	3122 358 76221	Loudspeaker foam		2422 070 98105	Mains cord China
12ab*	3122 358 76151	EMC shielding foam top		2422 070 98106	Mains cord Aus/NZ
12cdef*	3122 358 76451	EMC shielding foam top		3122 358 75802	Mains cord US
13ab*	3122 357 76161	EMC shielding foam L+R	abcd*	3122 358 76591	Thin VGA cable 2m with audio
13cdef*	3122 357 76441	EMC shielding foam L+R	ef*	3122 358 76581	Thin VGA cable 2m without audio
14ab*	3122 358 76251	EMC shielding foam bottom L1		3122 357 76611	Thin VGA cable 5m
14cdef*	3122 358 76411	EMC shielding foam bottom L1		3139 228 89251	FC19335009/01
15ab*	3122 358 76261	EMC shielding foam bottom L2		3122 128 13921	Mounting kit
15cdef*	3122 358 76421	EMC shielding foam bottom L2		3122 128 14301	Mounting kit -17S
16ab*	3122 128 13951	Metal back plate	ab*	9097 210 04055	Coloured frame Champagne
16cdef*	3122 128 14322	Metal back plate	ab*	9097 210 04056	Coloured frame Blue
17ac*	3122 128 13681	Connector plate	ab*	9097 210 04057	Coloured frame Green
17bd*	3122 128 13695	Connector plate	ab*	9097 210 04058	Coloured frame Rouge
17ef*	3122 128 14392	Connector plate	ab*	9097 210 04059	Coloured frame Unpainted
18a*	3122 357 21201	Front assy -/01S, -/x2Z	cd*	9097 210 04202	Coloured frame Champagne
18ab*	3122 357 21361	Front assy -/69S	cd*	9097 210 04203	Coloured frame Blue
18b*	3122 357 21391	Front assy -/17S	cd*	9097 210 04204	Coloured frame Green
18c*	3122 357 21421	Front assy -/01S, -/x2Z	cd*	9097 210 04205	Coloured frame Rouge
18d*	3122 357 21512	Front assy -/01S, -/17S	cd*	9097 210 04206	Coloured frame Unpainted
18e*	3122 357 21582	Front assy	*a	32FD9944, 32HF9964	
18f*	3122 357 21681	Front assy	*b	32FD9954	
19ab*	3122 124 90781	Glass plate	*c	42FD9944, 42HF9964, 42PF9964	
19cdef*	3122 124 90811	Glass plate	*d	42FD9954	
20ab*	9322 178 04682	Display FPF32C106128UA-52	*e	42FD9934	
20cdef*	9322 185 78682	Display FPF42C128128UB-54	*f	420P30/00	
21ab*	3122 358 76211	EMC shielding foam short			

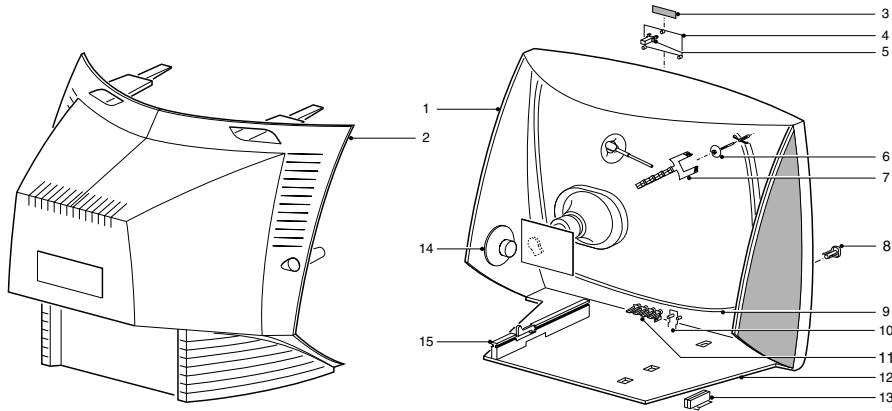
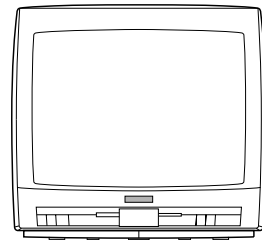
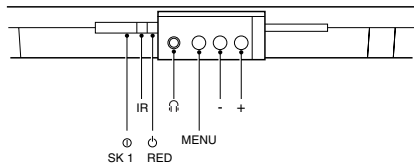
STYLING 336



STYLING 336.eps
100702

1	3104 307 96921	Door	28	2422 264 00386	Loudspeaker
2	3104 304 22621	Bracket Front Controls	29	3104 304 22012	Bottom plate
3	3104 307 97791	Cover aluminum column right	30	9965 000 07349	Top plate stand
4	3104 328 17201	Cabinet assy 32PW9556	31	4822 402 11183	Mains cord guide
4	3104 328 17212	Cabinet assy 32PW9566	32	3104 308 78041	Screw for stand assy
4	3104 328 17222	Cabinet assy 32PW9576	33	9965 000 07348	Steel clip
5	9301 880 70314	CRT	34	9965 000 07391	Back column part 1 shelf
6	3104 307 96931	Aluminum column right	34	9965 000 07392	Back column part 2 shelf
7	3104 304 21114	LOT support bracket	35	3104 304 22691	Foot right
8	3104 304 23001	Bracket LSP	35	3104 304 22701	Foot left
9	3104 304 23041	Bracket DAF/DC shift panel	36	9965 000 07390	Back column part 1 shelf
10	3104 307 96891	Rear cover 32PW9556	36	9965 000 07393	Back column part 2 shelf
10	3104 307 96901	Rear cover 32PW9566	37	9965 000 07389	Glass plate
10	3104 307 98231	Rear cover 32PW9576	38	9965 000 07394	Back column part 2 shelf
11	3104 308 70381	Locking unit		3104 308 78021	Rear leg stand assy for -/12
12	3104 308 78011	Damped hinge		3104 308 78031	Rear leg stand assy for -/05/19
13	3104 304 22661	Knob frame controls		4622 009 50772	Mains cord for -/12
14	3104 304 22671	Window right		4622 009 50782	Mains cord for -/05/57
15	3104 307 96911	Mains knob		3104 328 14471	Mains cord for -/79
16	3104 304 22681	Window left		3104 300 12171	Wordmark 32PW9556
17	3104 304 22601	Support for mains switch		3104 300 12181	Wordmark 32PW9566
18	Not present	Spring		3104 300 12211	Wordmark 32PW9576
19	3104 304 90371	Top plate 'glass' 32PW9556		3104 308 77981	Focus cable
19	3104 304 90381	Top plate 'glass' 32PW9566		4822 157 11825	Rotation coil
19	3104 304 90391	Top plate 'glass' 32PW9576		3104 207 09561	Remote control RC2031/01B
20	3104 307 97801	Cover aluminum column left		3104 300 12121	Matchline emblem
21	3104 301 62111	Pin fix aluminum columns		3104 300 20181	Adapter EURO to Cinch/S-VHS for -/57/69/79
22	4822 502 21359	CRT screw		3104 300 20191	Adapter EURO to 3 x Cinch for -/57/69/79
23	4822 404 31294	CRT fixation VP19100			
24	4822 404 31289	Bracket fix degaus. coil (2x)			
24	4822 403 70906	Bracket fix degaus. coil (2x)			
25	3104 311 03272	EHT cable			
26	2422 549 44244	Degaussing coil			
27	3104 307 96941	Aluminum column left			

STYLING 341



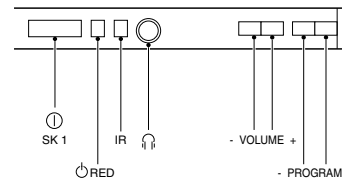
STYLING 341.eps
181201

1a*	3111 257 56651	Cabinet (HP+3AV)
1b*	3111 257 58451	Cabinet (HP+3AV, silver shadow)
2a*	3111 257 58511	Rear cover (mid grey)
2b*	311125758521	Rear cover (warm grey)
3a*	3111 250 00051	Wordmark Philips (blue silver back)
3b*	3111 250 00741	Wordmark Philips
4a*	3139 137 85081	Door
4b*	3139 138 18041	Door
5	3139 120 41391	CRT fixing screw
6	4822 404 30945	Corner coil bracket
6	4822 401 11765	Coil & THT clampacket
7	3139 137 76451	Mains knob
8	2422 549 44669	Degaussing coil 21"
9	313912425551	Cinch cover
10	3139 124 32301	Light guide
11	3139 137 76461	Control knob
12	3139 124 33291	Plate VO
13	4822 404 31291	Maincord holder
14	2422 264 00398	Speaker 16Ω5W
15	313912436232	Chassis guide (V0)
	4822 131 11105	Picture Tube 21" A51EAL155X47
	4822 321 11499	Mains cord EU
	4822 321 11493	Mains cord UK

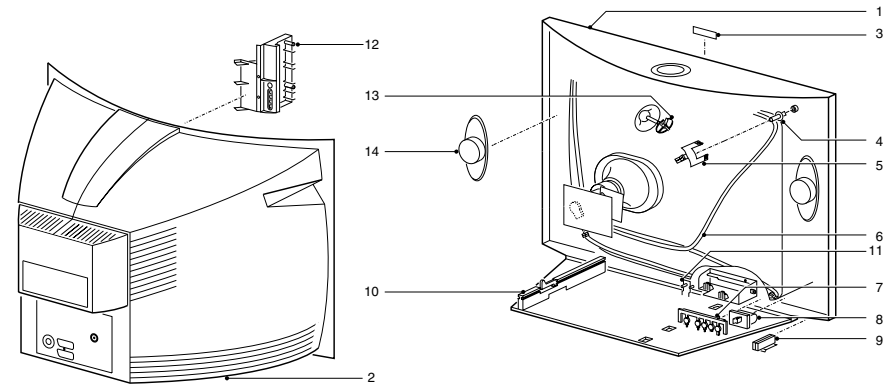
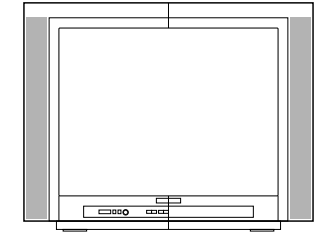
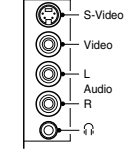
*a 21PT4406
*b 21PT4416

STYLING 343

FRONT + TOP CONTROL



SIDE I/O



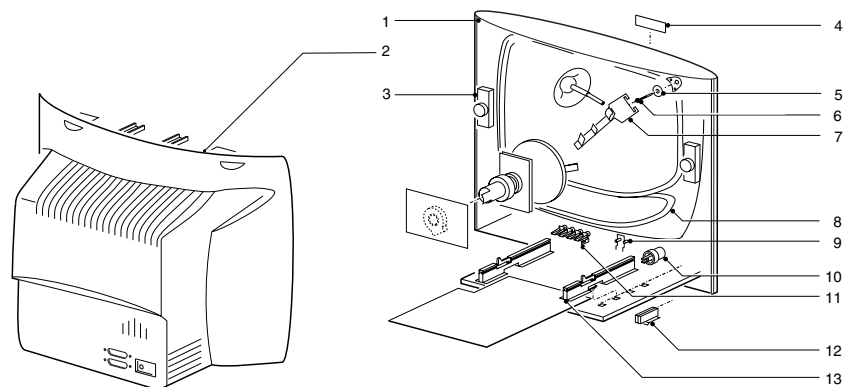
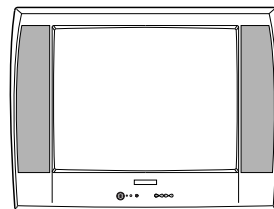
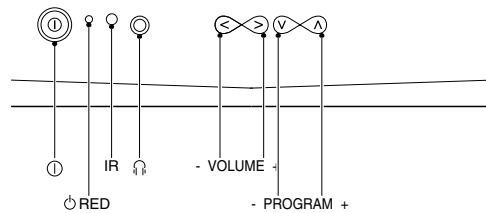
Styling 343.eps
181201

1	3139 137 79801	Cabinet 25"
2	3139 124 35671	Rear cover
3	3111 250 00831	Wordmark (red silver)
4	4822 505 11195	CRT fixing screw
5	4822 401 11765	Degaussing coil bracket
6	2422 549 44253	Degaussing coil 25"
7	3139 137 93871	Control knob
8	3139 137 93861	Mainsknob
9	4822 404 31291	Mainscord relief
10	3139 124 30881	Chassis guide
11	3139 124 35681	Light guide
12	3139 124 37661	Side AV bracket
13	4822 401 11765	Coil & EHT clamp
14	2422 264 00409	Loudspeaker 8Ω.5W
a*	4822 131 11184	Picture tube A59EAK071X11
b*	9322 147 09682	Picture tube A59EMZ43X07
c*	4822 131 20568	Picture tube A59EAK552X11

4822 321 11499 Mains cord EU
4822 321 11493 Mains cord UK
3111 257 71441 Stand (silver) UK only

*a 25PT4457/01/05
*b 25PT4457/21
*c 25PT5107/01/58

STYLING 344

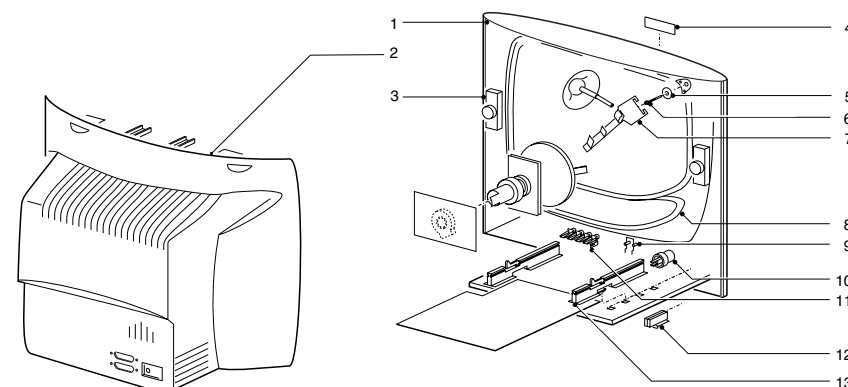
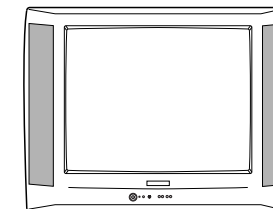
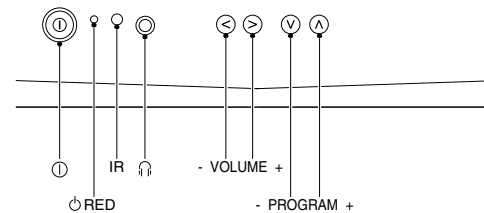


STYLING 344.eps
181201

1	313913799301	Cabinet
2	313912438761	Rear cover
3	242226400401	Loudspeaker 16Ω 5W
4a*	311125000271	Wordmark Aristona
4b*	3111 250 00261	Wordmark SBR
4c*	31222000232	Wordmark Radiola
5	not applicable	
6	482250511195	CRT fixing screw
7	482240370906	Corner coil bracket
7	482240111765	Coil & THT clamp
8	4822 157 11762	Degaussing coil 28"
9	4822 380 10251	Light guide
10	3139 124 30581	Mains knob
11	482241012433	Control knob
12	4822 404 31363	Mains cord relief
13	3139 124 30871	Chassis guide right (HB)
13	3139 124 30881	Chassis guide left (VO)
	4822 321 11493	Mains cord UK
	4822 321 11499	Mains cord EU
	4822 402 10844	PCB relief bracket
	4822 403 70906	Corner coil bracket
	4822 131 11045	Picture tube 28" A66EAK071X11

*a 70TA4416/03
*b 70TA4416/11
*c 70TA4416/18

STYLING 345



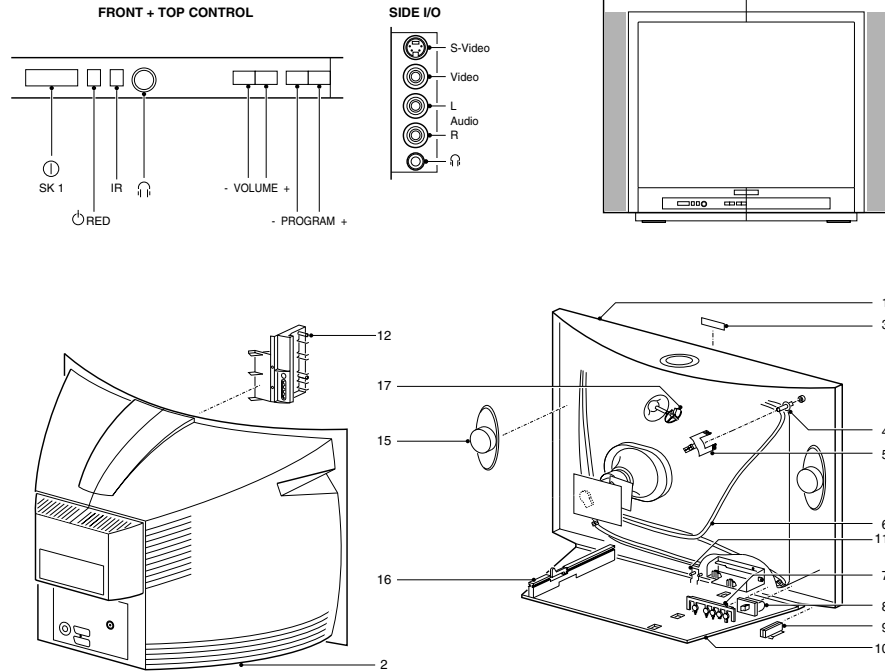
Styling 345.eps
181201

1	3111 257 58101	Cabinet 28"
2	3139 124 41321	Rear cover 28"
3	2422 264 00401	Loudspeaker 16Ω 5W
4	3111 250 00731	Wordmark PHILIPS 28"
5	not applicable	
6	4822 505 11195	CRT fixing screw 28"
7	4822 401 11765	Degaussing coil bracket
7	4822 403 70906	Corner coil bracket
8	4822 157 11762	Degaussing coil 28"
9	4822 380 10251	Light guide
10	3139 124 30581	Mains knob
11	3139 124 27071	Control knob
12	3122 224 04623	Mains cord relief
13	3139 124 30881	Chassis guide left (VO)
13	3139 124 30871	Chassis guide right (HB)

4822 131 11045 CRT 28" A66EAK071X11
4822 321 11499 Mains cord
4822 321 11493 Mains cord UK

28PT4426

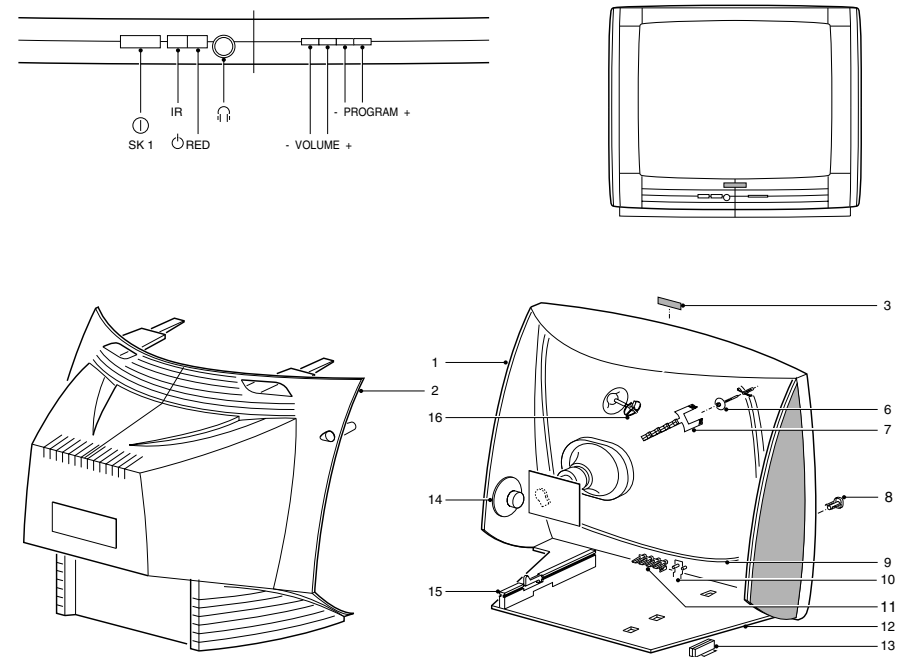
STYLING 346



Styling 346.eps
181201

1a*	3139 137 79311	Cabinet 28"
1b*	3139 137 93961	Cabinet 28"
2	3139 138 12361	Rear cover 28"
3a*	3111 250 00831	Wordmark (red silver)
3b*	3111 250 00731	Wordmark Philips
4	4822 505 11195	CRT fixing screw
5	4822 403 70906	Corner coil bracket
5	4822 401 11765	Coil & THT clamp
5	4822 403 70906	Degaussing coil bracket
6	4822 157 11762	Degaussing coil 28"
7	3139 137 90621	Control knob
8	3139 137 90631	Mains knob
9	4822 404 31291	Mains cord relief
10	Not applicable	
11	3139 124 37781	Light guide
12	3139 124 37661	Side AV bracket
13	not applicable	
14	not applicable	
15	2422 264 00409	Loudspeaker
16	3139 124 30881	Chassis guide
17	4822 401 11765	Coil & EHT clamp
	3111 257 71441	Stand (silver) UK only
	3139 128 76381	FM aerial
	4822 321 11493	Mains cord UK
	4822 321 11499	Mains cord EU
a*	9301 731 00346	Picture tube A66EAK071X21
b*	9301 211 10346	Picture tube A66EAK552X21
*a	28PT4457/28PT4657	
*b	28PT5107	

STYLING 347

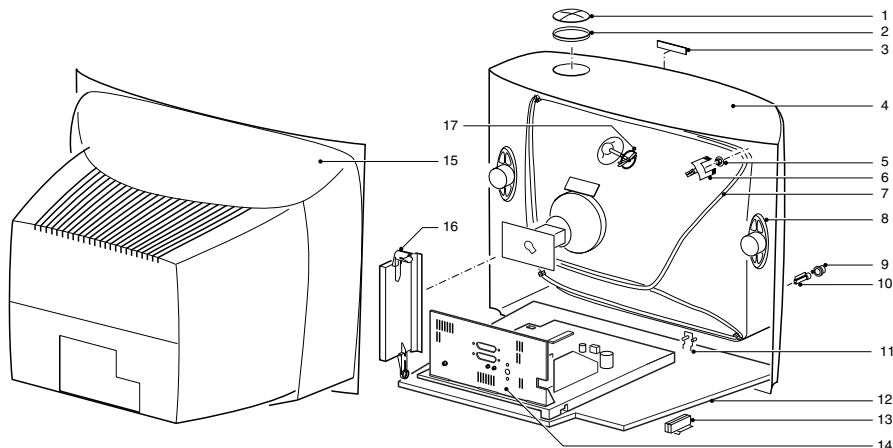
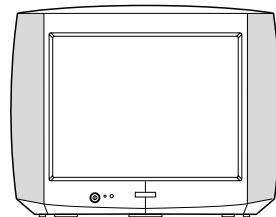
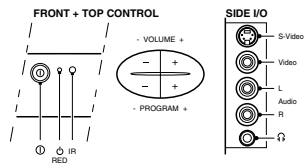


Styling 347.eps
181201

1	3139 137 85731	Cabinet 28"
2	3139 124 36241	Rear cover 28"
3	3111 250 00201	Wordmark
4	Not applicable	
5	Not applicable	
6	4822 505 11195	CRT fixing screw
7	4822 403 70906	Degaussing coil bracket
8	3139 137 90651	Mains knob
9	4822 157 11762	Degaussing coil 28"
10	3139 124 37111	Light guide
11	3139 137 90661	Control knob
12	Not applicable	
13	4822 404 31291	Mains cord relief
14	2422 264 00398	Loudspeaker 16Ω 5W
15	3139 124 30881	Chassis guide (VO)
16	4822 401 11765	Coil & EHT clamp
	4822 321 11499	Mains cord EU
	4822 131 11045	Picture tube
	9322 147 09682	A66EAK071X11 Picture tube A66EMZ43X07 (.../21)

28PT4406

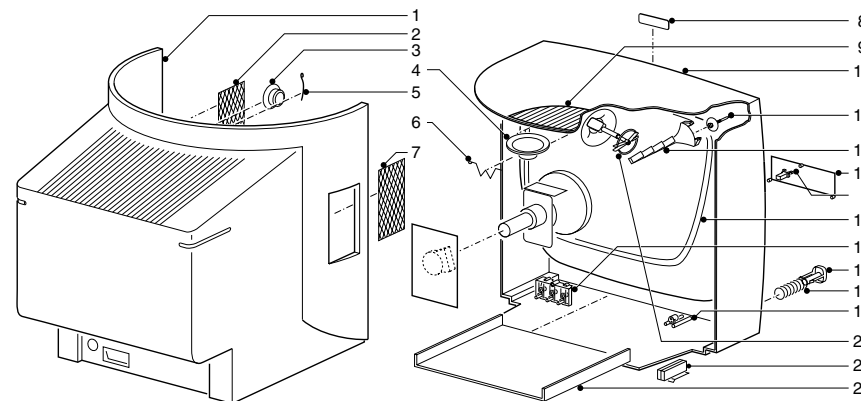
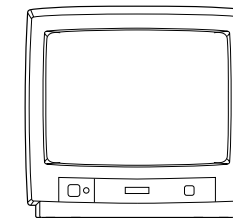
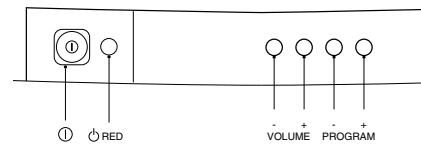
STYLING 348



STYLING 348.eps
181201

1	3139 137 77561	Top control cover
2	3139 124 26993	Top control bracket
3a*	4822 454 13455	Wordmark Philips
3b*	3111 250 00271	Wordmark Aristona
3c*	3111 250 00261	Wordmark SBR
4a*	3139 137 88031	Cabinet 29"
4b*	3139 138 16291	Cabinet 29"
5	4822 502 14602	CRT fixing screw
6	3111 254 20522	Degaussing coil bracket
7	2422 549 44562	Degaussing coil
8	2422 264 00404	Loudspeaker 8Ω 6W
9+10	3139 137 75631	Mains knob
11	4822 380 10238	Light guide
12	3139 124 33541	Chassis tray
13	4822 401 11764	Mains cord relief
14a*	3139 124 36741	Jack panel
14b*	3139 124 41671	Jack panel
15a*	3139 124 38101	Rear cover 29"
15b*	3139 124 41681	Rear cover 29"
16	3139 124 38121	Side AV bracket
17	4822 401 11765	COIL & EHT clamp
	4822 321 11139	Mains cord EU
	3139 128 76381	FM aerial
	9301 903 01347	Picture tube A68ESF002X113
*a	29PT5306/01/01E	
*b	72TA5306/03	
*c	72TA5306/11	

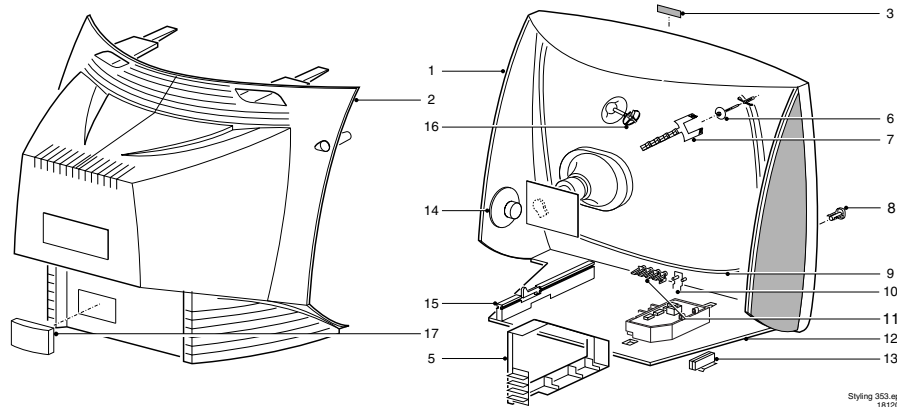
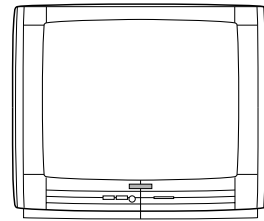
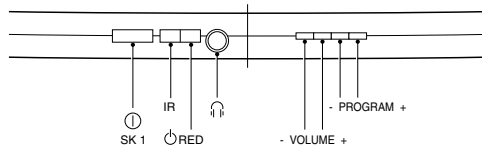
STYLING 349



STYLING 349.eps
181201

1	3111 254 25171	Rear cover
2	Not applicable	
3	Not applicable	
4	3111 254 10061	Loudspeaker grill
4	2422 264 00414	Loudspeaker 8Ω 5W
5	Not applicable	
6	Not applicable	
7	Not applicable	
8	3111 250 00941	Wordmark (silver shadow)
9	Not applicable	
10	3139 137 85581	Cabinet (HP+2AV)
11	4822 502 14508	CRT fixing screw
12	3119 104 18247	Degaussing coil bracket
13	Not applicable	
14	Not applicable	
15	2422 549 44843	Degaussing coil 17"
16	3111 254 09921	Control knob
17+18	3111 254 09911	Mains knob
19	4822 380 10281	Light guide
20	4822 463 11126	Chassis guide (HB)
20	4822 463 11125	Chassis guide (VO)
21	4822 401 11765	Coil & EHT clamp
22	4822 466 11453	Mains cord relief
	4822 321 11499	Mains cord EU
	4822 321 11499	Mains cord UK
	3139 128 76381	FM aerial
	9301 835 40301	Picture tube A41EAM40X20

STYLING 353



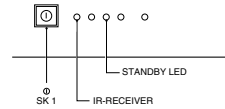
1	3119 107 05142	Cabinet 28"
2a*	3111 254 25081	Rear cover
2b*	3111 254 25091	Rear cover
3	3111 250 00201	Wordmark
4	3139 124 38211	Mains harmonic bracket
5	3119 107 17651	EPS bracket
6	4822 505 11195	CRT fixing screw
7	4822 403 70906	Corner coil bracket
8	3139 137 90651	Mains knob
9	4822 157 11762	Degaussing coil 28"
10	3139 124 37111	Light guide
11	3139 137 90661	Control knob
12	3139 124 30571	No system card cap
13	4822 404 31291	Mains cord relief
14a*	2422 264 00398	Loudspeaker 16Ω 5W
14b*	2422 264 00414	Loudspeaker 8Ω 5W
15	3139 124 30881	Chassis guide
16	4822 401 11765	Coil & EHT clamp
	4822 131 11045	Picture tube A66EAK071X11
	4822 321 11499	Mains cord EU
	4822 321 11493	Mains cord UK

*a 28HT5404
*b 28HT5304

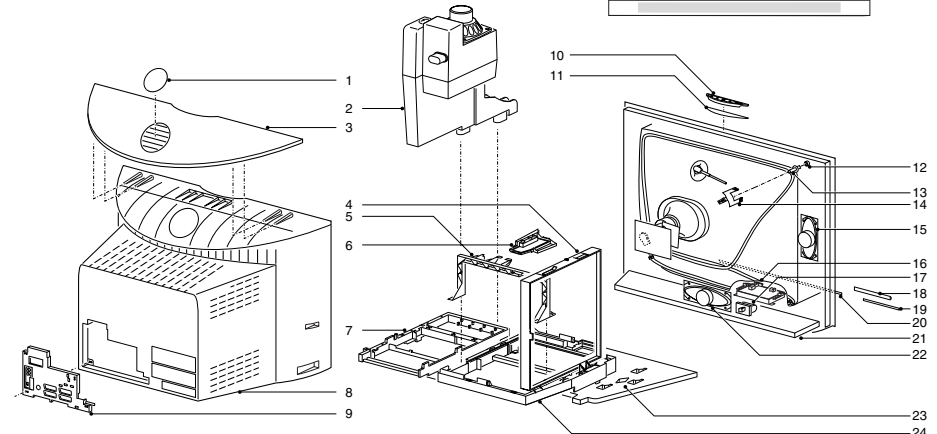
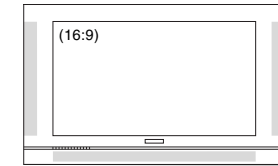
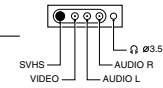
Styling 353.eps
181201

STYLING 355

FRONT CONTROL



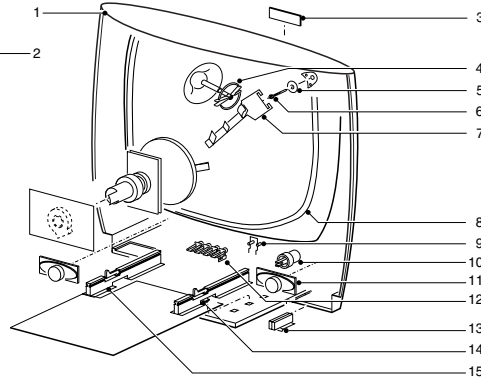
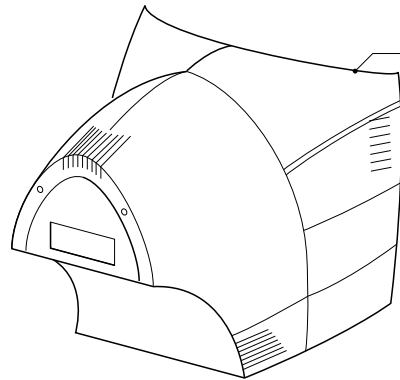
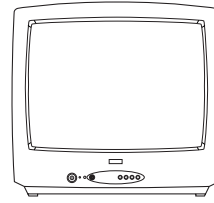
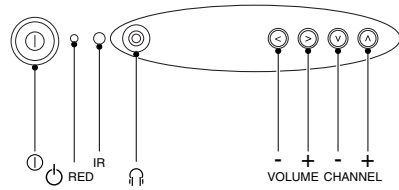
SIDE I/O



STYLING 355.eps
181201

1	3104 304 24021	Cover 28"	21	3104 328 12261	Cabinet 32"
1	3104 307 99141	Cover 32"	21	3104 328 12251	Cabinet 36"
1	3104 304 24011	Cover 36"	22	2422 264 00431	Loudspeaker (1x)
2	4822 445 10834	Subwoofer box	23	3104 304 23491	Bottom plate
3	3104 307 98631	Top cover 28"	24	3104 304 19583	Frame for LSP
3	3104 307 98641	Top cover 32"		3104 300 12121	Matchline emblem
3	3104 307 98651	Top cover 36"		3104 300 12231	Philips emblem 28"
4	3104 304 19652	Frame for supply panel		3104 300 12241	Philips emblem
5	3104 304 20264	LOT support bracket		3104 304 19646	Module support bracket on SSP
6	3104 304 23481	Bracket side I/O			
7	3104 304 22851	Frame for SSP		3104 304 21031	Bracket for rotation coil
8	3104 307 97541	Rear cover 28"		3104 304 20301	Bracket for DAF panel
8	3104 307 97531	Rear cover 32"		2322 460 91641	DAF potmeter 32"/36"
8	3104 307 97521	Rear cover 36"		2422 549 44621	Degaussing coil 28"
9a*	3104 307 98281	Coverplate		8204 000 74951	Degaussing coil 32"
9b*	3104 307 98271	Coverplate		2422 549 44242	Degaussing coil 36"
10	3104 307 98241	Keypad assy		3128 138 60651	Rotation coil
11	3104 304 23431	Bottom top control		9301 852 40306	Picture tube W66ERF041X44
12	4822 404 31294	Insert VP19100		9322 173 93682	Picture tube W76EKW10X73
13	4822 505 11195	Picture tube screw 28"		3104 300 50301	Picture tube W86LPX955X
13	4822 502 21359	Picture tube screw		3128 147 13651	Remote control RC2044/01B
14	4822 403 70906	Bracket fix deg. coil (4x) 28"		4822 321 11448	Mains cord
14	3104 304 21091	Bracket fix deg. coil (4x)		4622 007 51852	Mains cord -/05
15	2422 264 00429	Loudspeaker (2x)		4622 004 50191	Mains cord -/79
16	3104 304 23471	Bracket mains unit		3104 300 20181	Adaptor Euro to cinch / SVHS
17	3104 307 97621	Mains knob		3104 300 20191	Adaptor Euro to 3 x cinch
18	3104 304 23461	Light guide		3104 130 01801	Set surround sound boxes -/12
19	3104 304 23651	Deco strip left 28		3104 130 01811	Set surround sound boxes -/58
19	3104 304 23621	Deco strip left 32"		3104 130 01821	Set surround sound boxes -/05
19	3104 304 23591	Deco strip left 36"		3104 130 02041	Set surround sound boxes 36PW9607/05
20	3104 304 23661	Deco strip right 28"			
20	3104 304 23631	Deco strip right 32"			
20	3104 304 23601	Deco strip right 36"			
21	3104 328 12271	Cabinet 28"	*a	32PW9617, 36PW9607	
			*b	xxPW9767	

STYLING 359

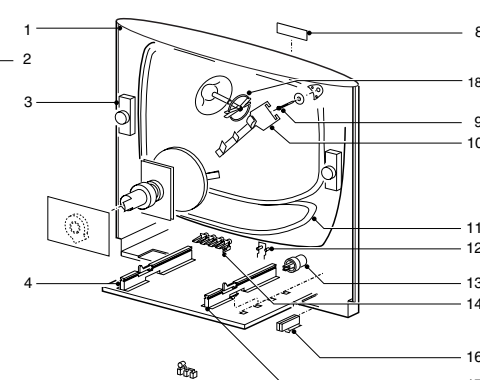
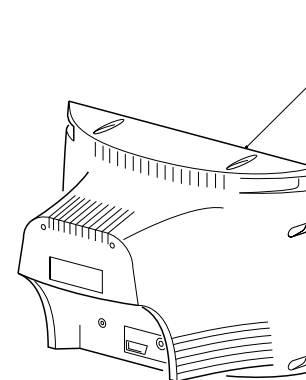
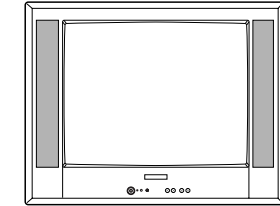
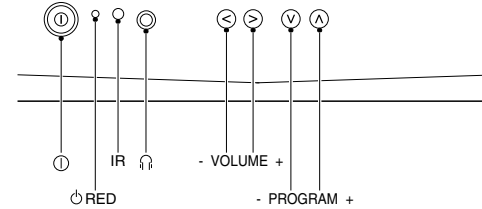


STYLING 359.eps
07/03/92

1	3139 138 16191	Cabinet 20" (HP+FC)
2	3139 124 36261	Rear cover 20"
3	3111 250 00051	Wordmark Philips
4	4822 401 11765	Coil & EHT spacer
5	Not applicable	
6a*	4822 502 14508	CRT fixing screw
6b*	4822 502 14071	CRT fixing screw
7	4822 404 30839	Degaussing coil bracket
8	2422 549 44323	Degaussing coil 20"
9	3111 257 54841	Light guide
10	3139 124 37871	Mains knob
11	2422 264 00399	Loudspeaker 16Ω4W
12	3139 124 26182	Control knob
13	4822 466 11453	Mains cord relief
14	4822 463 11126	Chassis guide (HB)
15	4822 463 11125	Chassis guide (VO)
	9322 165 88682	Picture tube 20" A48ECR43X58
	4822 321 11499	Mains cord EU
	3111 257 58771	Mains cord UK

*a 20PT1346
*b 20PT1546

STYLING 360

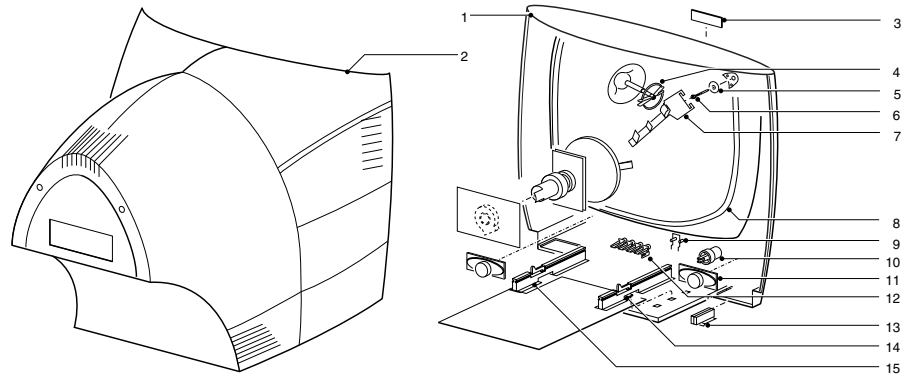
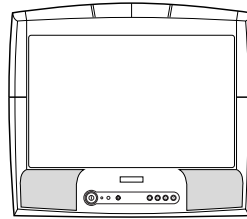
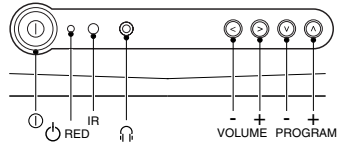


STYLING 360.eps
20/03/92

1a*	3111 257 58301	Cabinet (silver shadow)
1b*	3111 257 58311	Cabinet (light grey)
2a*	3139 124 38741	Rear cover
2b*	3139 124 41881	Rear cover
3	4822 240 10368	Speaker
4	4822 463 11126	Chassis guide (HB)
4	4822 463 11125	Chassis guide (VO)
8a*	3111 250 00741	Wordmark Philips
8b*	3111 250 00321	Wordmark Aristona
9	4822 502 14071	CRT fixing screw
10	4822 404 30945	Degaussing coil bracket
11	2422 549 44669	Degaussing coil 21"
12	4822 380 10281	Light guide
13a*	3139 124 41481	Mains knob
13b*	3139 124 26891	Mains knob
14a*	3139 138 15911	Control knob
14b*	3139 124 41601	Control knob
16	4822 404 31291	Mains cord holder
17	3139 124 23463	Chassis guide (VO)
17	3139 124 23452	Chassis guide (HB)
18	4822 401 11765	Coil EHT clamp
	9301 738 50342	Picture tube A51EAL155X47
	4822 466 11453	Mains cord relief
	4822 321 11499	Mains cord
	4822 321 11493	Mains cord UK

a* 21PT4426
b* 52TA4416

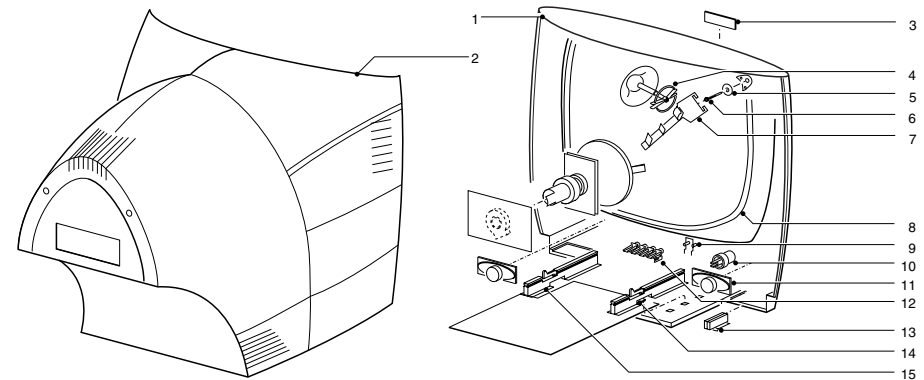
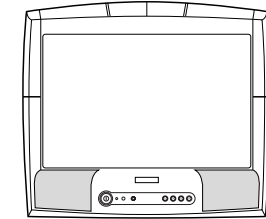
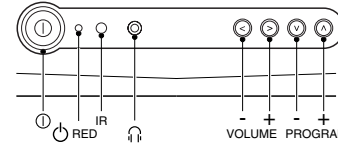
STYLING 361



STYLING 361.eps
200302

1	3139 138 16181	Cabinet (HP+FC)
2	3139 124 36391	Rear cover (1 SCT)
3	3111 250 00321	Wordmark Aristona (/03)
3	3111 250 00341	Wordmark SBR (/11)
4	4822 401 11765	Coil & THT clamp
6	4822 502 14071	CRT fixing screw
7	4822 404 30945	Degaussing coil bracket
8	2422 549 44669	Degaussing coil 21"
9	3139 124 28081	Light guide
10	3139 124 41581	Mains knob
11	2422 264 00401	Loudspeaker 16Ω5W
12	3139 124 28071	Control knob
13	4822 466 11453	Mains cord relief
14	4822 463 11126	Chassis guide (HB)
15	4822 463 11125	Chassis guide (VO)
	4822 131 11105	Picture tube 21" A51EAL155X47
	4822 321 11493	Mains cord UK
	4822 321 11499	Mains cord EU
	52TA1476/03/11	

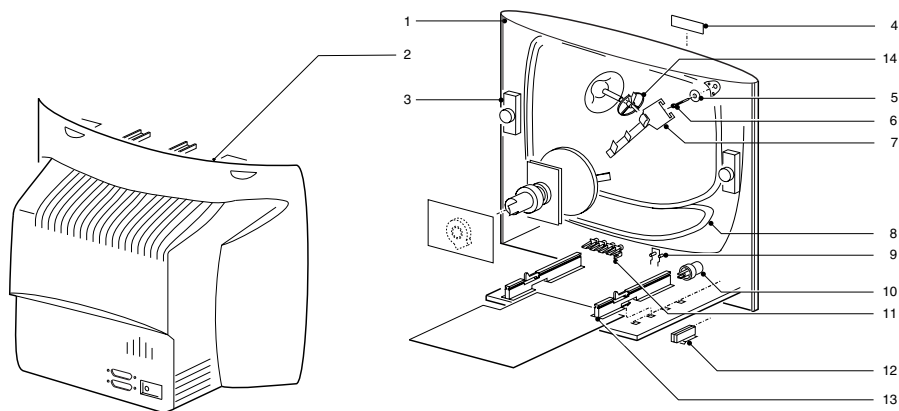
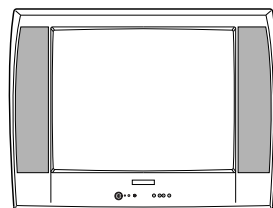
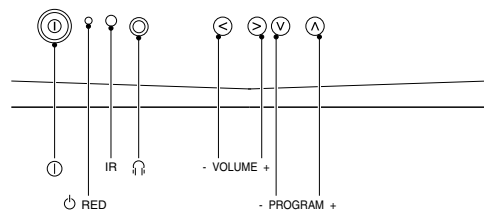
STYLING 362



STYLING 362.eps
200302

1	3139 138 16181	Cabinet (HP+2AV)
2	3139 124 36391	Rear cover
3	3111 250 00051	Wordmark
4	3111 254 23481	EHT spacer
5		
6	3111 250 40041	CRT fixing screw
7	3111 104 44664	Degaussing coil bracket
8	2422 549 44669	Degaussing coil 21"
9	3139 124 28081	Light guide
10	3139 124 28071	Mains knob
11	2422 264 00401	Loudspeaker 16Ω5W
12	3139 124 28071	Control knob
13	3139 124 23843	Mains cord relief
14	3139 124 23452	Chassis guide (HB)
15	3139 124 23463	Chassis guide (VO)
	4822 131 11105	Picture tube 21" A51EAL155X47
	4622 009 50511	Mains cord EU
	21PT1346	
	21PT1546	

STYLING 363

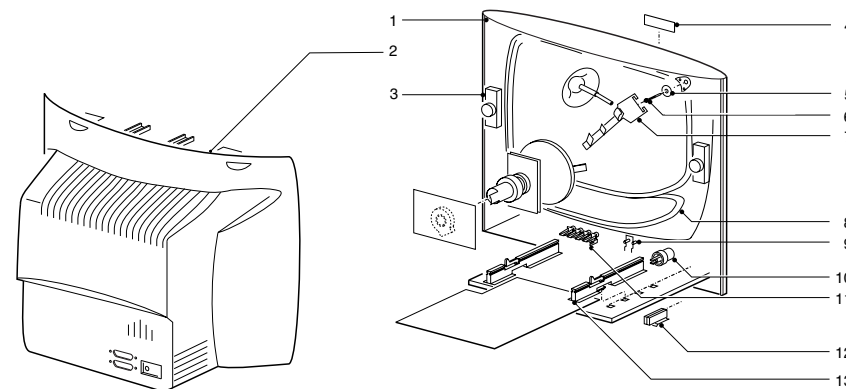
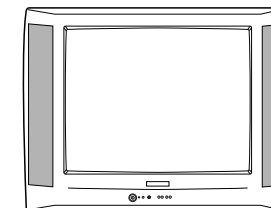
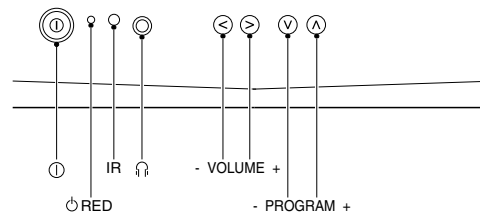


STYLING 363.eps
070302

1	3111 257 58071	Cabinet 25"
2	3139 124 38771	Rear Cover 25"
3	2422 264 00401	Loudspeaker 16Ω 5W
4	3111 250 00271	Wordmark Aristona (.../11)
4	3111 250 00261	Wordmark SBR (.../03)
5	4822 401 11765	Coil & EHT bracket
6	4822 505 11195	CRT fixing screw
7	4822 403 70906	Corner coil bracket
8	2422 549 44253	Degaussing coil 25"
9	3139 124 25601	Light guide
10	3139 124 30581	Mains knob
11	3139 124 27071	Control knob
12	3122 224 04623	Mains cord relief
13	3139 124 30871	Chassis guide right (HB)
14	3139 124 30881	Chassis guide left (VO)
	9322 147 09682	Picture tube 25" A59EMZ43X07
	4822 321 11499	Mains cord EU
	4822 321 11493	Mains cord UK

63TA4416

STYLING 364

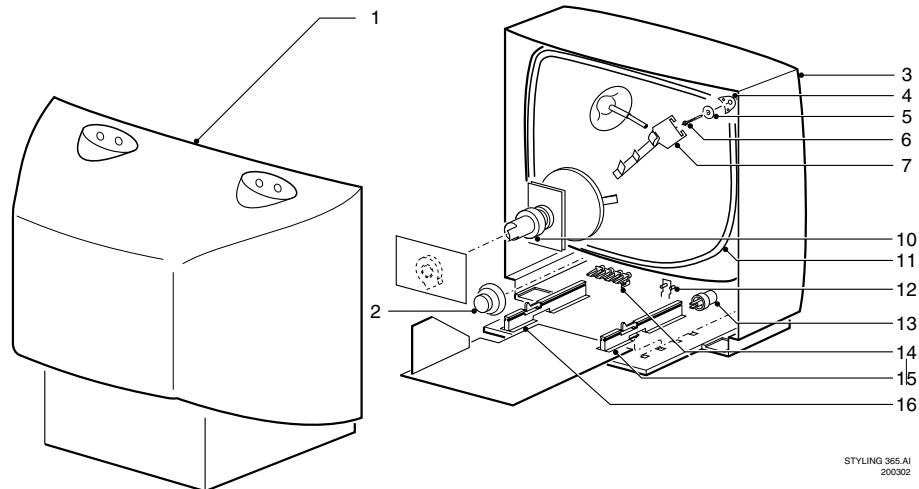
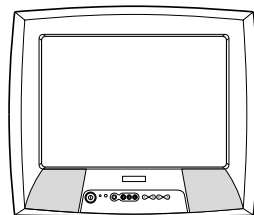
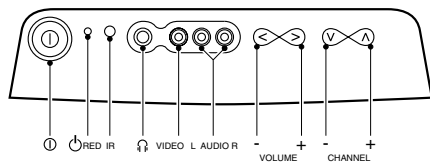


Styling 364.eps
200302

1a*	3111 257 58081	Cabinet 25"
1b*	3111 257 58071	Cabinet 25"
2a*	3139 124 41221	Rear Cover 25"
2b*	3139 124 41341	Rear Cover 25"
3	2422 264 00401	Loudspeaker 16Ω 5W
4a*	4822 459 11155	Wordmark
4b*	3111 250 00201	Wordmark
5	4822 505 11195	CRT fixing screw
6	4822 401 11765	Coil & THT bracket
7	2422 549 44253	Degaussing coil 25"
8	4822 380 10251	Light guide
9	4822 403 70906	Corner coil bracket
10	3139 124 30581	Mains knob
11	3139 124 27071	Control knob
12	4822 466 11453	Mains cord relief
13	3139 124 30881	Chassis guide left (VO)
13	3139 124 30871	Chassis guide right (HB)
	9322 147 09682	Picture tube 25" A59EMZ43X07
	4822 321 11499	Mains cord
	4822 321 11493	Mains cord UK
	4822 404 31363	Mains cord holder

a* 25PT4426
b* 25PT4107

STYLING 365

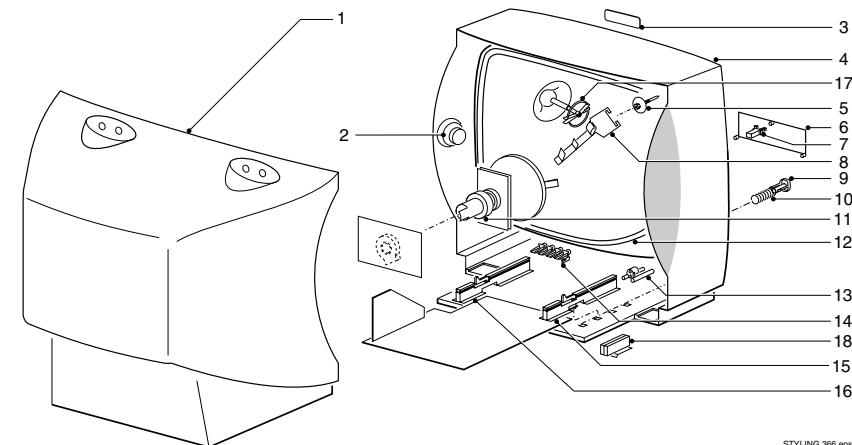
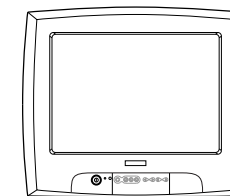
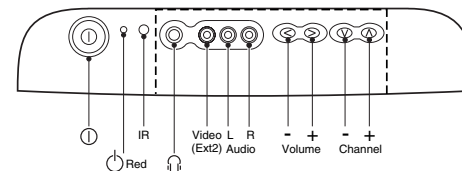


STYLING 365.A1
200302

1ace*	3111 254 25141	Rear cover
1bd*	3111 254 25391	Rear cover (mid grey)
2	2422 264 00407	Loudspeaker 16Ω 8W
3a*	3111 257 56161	Rod antenna
3bd*	3119 108 68842	Loop antenna
3ce*	3119 108 68281	Rod antenna
4ace*	3111 257 58061	Cabinet 14"
4bd*	3111 257 58351	Cabinet 14" (metal)
5	4822 502 30739	CRT fixing screw
6	4822 401 11765	Coil & THT clamp
6	4822 404 31325	Degaussing coil bracket
7	4822 380 10218	Light guide
8abe*	3119 104 23763	Degaussing coil 14"
8cd*	2422 549 44844	Degaussing coil 14"
9		
10	3111 254 09281	Control knobs (silver)
11	3111 254 09271	Mains knob (silver)
12	4822 463 11164	Chassis guide right
12	4822 463 11165	Chassis guide left
	4822 402 10181	HP fixation
	4822 321 11499	Mains cord EU
	4822 321 11493	Mains cord UK

ace*	3111 250 00941	Word mark (silver shadow)
bd*	3111 250 00041	Word mark Philips
	9322 139 76682	Picture tube A34AGT13X95E
e*	930186190313	Picture tube A34EAC01X113
*a	14PT1356/01/58	
*b	14PT1356/05	
*c	14PT1556/01/58	
*d	14PT1556/05	
*e	14PT1556/21	

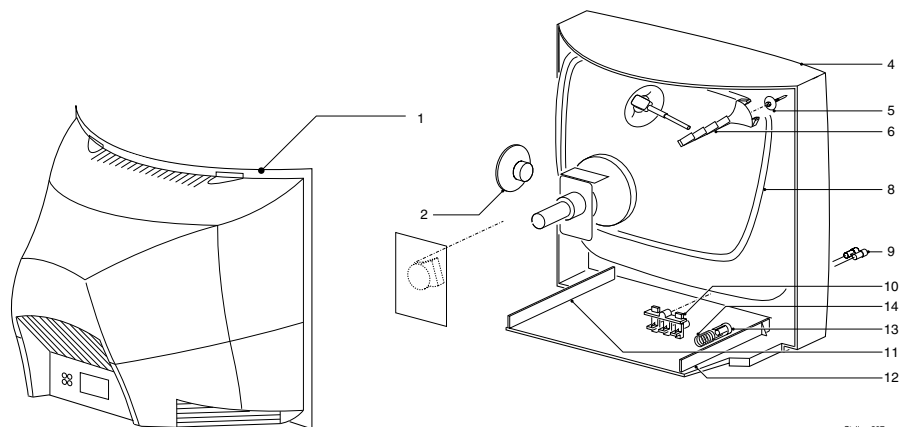
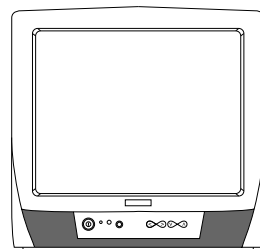
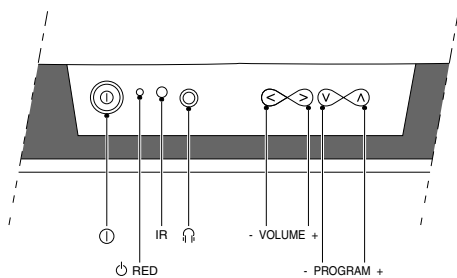
STYLING 366



STYLING 366.aps
200302

1	3111 257 58501	Rear cover 21"
2	2422 264 00414	Loudspeaker 8Ω 5W
3	3111 250 00741	Wordmark
4	3111 257 57001	Cabinet 21"
5	3119 100 42081	CRT fixing screw
6	3111 254 10041	Door
7	3111 254 22541	Stopper
8	3119 104 18247	Degaussing coil bracket
9	3111 254 09871	Mains knob
10		Not applicable
11		Not applicable
12	2422 549 44669	Degaussing coil 21"
13	3111 254 24251	Light guide
14	3111 254 24241	Knob frame
15	3111 254 24152	Right chassis guide
16		Not applicable
17	3111 254 23481	Coil EHT clamp
18		Not applicable
	3111 257 71451	Stand (silver) UK only
	9322 165 89682	Picture tube 21" A51EER33X72
	4822 321 11493	Mains cord UK
	4822 321 11499	Mains cord EU

STYLING 367



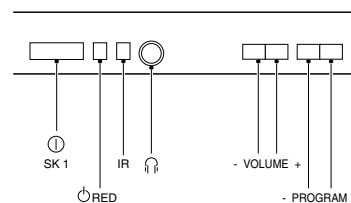
Styling 367.eps
140392

1	3111 254 25121	Rear cover
2	2422 264 00399	Loudspeaker 16Ω 4W
3	3111 257 57931	Cabinet (mono)
4	4822 502 14071	CRT fixing screw
5	4822 401 11765	Coil & THT clamp
6	2422 549 44669	Degaussing coil
7	4822 404 30839	Corner coil bracket
8	3111 254 24511	Light guide
9	3111 254 24503	Control knob
10	3111 254 24492	Spring for mains knob
11	3111 254 24492	Mains knob
12	4822 463 11167	Chassis guide left
13	4822 463 11166	Chassis guide right
	4822 321 11499	Mains cord EU
	4822 404 31291	Mains cord holder
	4822 459 11157	Wordmark
	4822 131 11105	Picture tube 21" A51EAL155X47
	9322165 89682	Picture tube 21" A51EER33X72 (.../21)

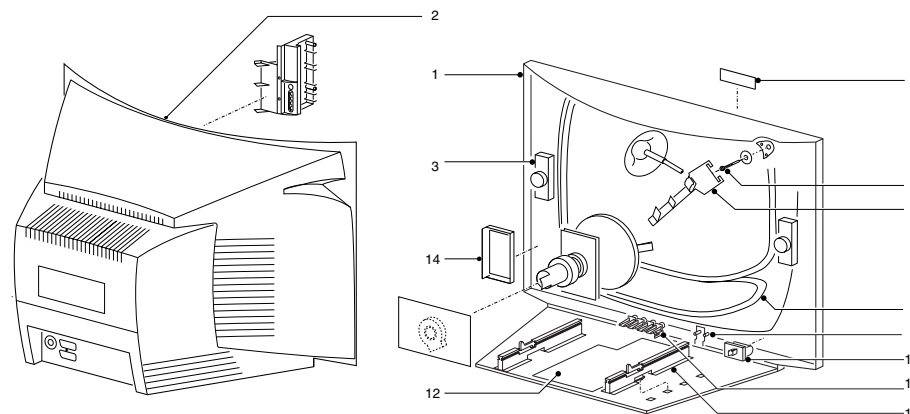
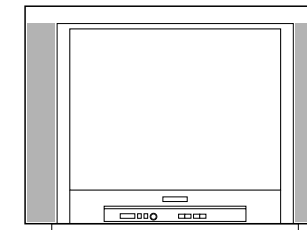
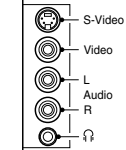
21PT1356
21PT1556

STYLING 368

FRONT + TOP CONTROL



SIDE I/O



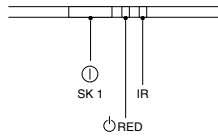
Styling 368.eps
200392

1	3139 137 91971	Cabinet 25"
2	3139 137 79781	Rear cover 25"
3	2422 264 00409	Loudspeaker 8Ω R 5W
4	3111 250 00731	Wordmark Philips
5	4822 401 11765	Coil & THT clamp
6	3139 124 23861	Tube spacer
7	4822 505 11195	CRT fixing screw
8	4822 403 70906	Corner coil bracket
9	2422 549 44253	Degaussing coil 25"
10	3139 124 32221	Light guide
11	3139 124 36331	Mains knob
12	3139 124 36311	Control knob
13	3139 124 30881	Chassis guide (VO)
14	4822 466 11453	Mains cord relief
15	3139 124 33341	VO plate
	9322 163 87682	Picture tube A59QDF891X001
	4822 321 11499	Mains cord EU
	4822 321 11493	Mains cord UK

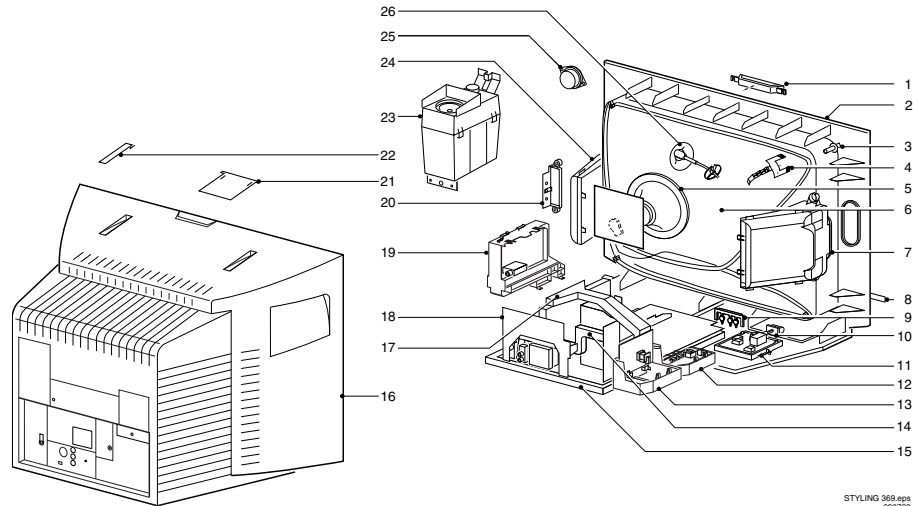
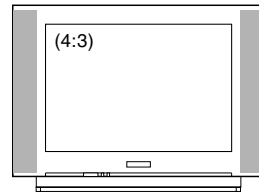
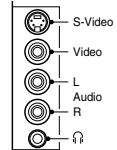
25PT5506

STYLING 369

FRONT + TOP CONTROL



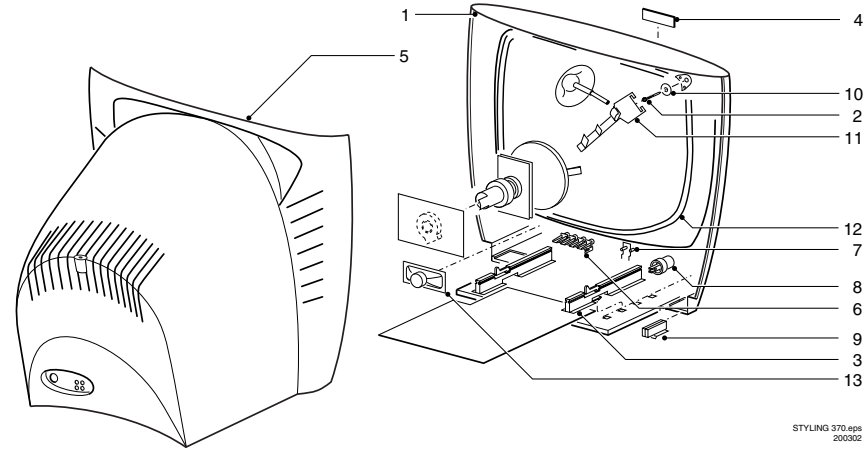
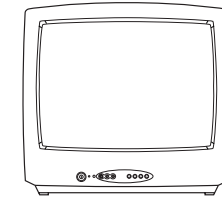
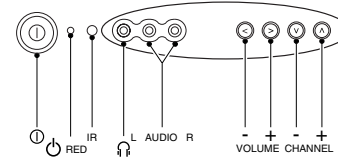
SIDE I/O



STYLING 369.eps
090702

1abc*	3139 138 12751	Top control assy 29"/34"	17	3104 304 21114	LOT & SSB support bracket
2ab*	3139 138 19011	Cabinet assy 29" (/57, /69, /79)	18b*	3139 124 42411	Cinch cover plate (/61, /71)
2ab*	3139 138 19411	Cabinet assy 29" (/61, /71)	19bc*	3104 304 23801	Bracket for DW/PIP panel
2c*	3139 138 19101	Cabinet assy 34" (/56, /57, /69, /79)	17c*	3104 304 22073	Bracket for Multi Voltage panel
			20	3139 124 40131	Bracket for Side I/O panel
2c*	3139 138 19401	Cabinet assy 34" (/61, /71)	21	3139 124 39161	V0 plate for rear cover
3	3111 250 40031	CRT screw	22ab*	3139 124 39301	Screw cap for rear cover 29"
4ab*	3139 124 31122	Bracket for Degaussing coil 29"	22c*	3139 124 39241	Screw cap for rear cover 34"
4c*	3139 124 32811	Bracket for Degaussing coil 34"	23	3139 128 76491	Subwoofer box
5ab*	3128 138 60652	Rotation coil 29"	24ab*	3139 128 76601	Speaker & box assy (left)
5c*	3128 138 60642	Rotation coil 34"	24c*	2422 264 00379	Speaker (full range)
5ab*	3139 124 39581	Bracket for rotation coil 29"	25ab*	2422 264 00388	Tweeter 8Ω/8W
6ab*	9322 160 14682	CRT 29" (/56, /57, /61)	26	3114 311 03722	EHT cable
6b*	9322 160 15682	CRT 29" (/69, /71)	ab*	3139 128 23451	Degaussing coil 29" (/57, /69, /79)
6b*	9322 160 16682	CRT 29" (/79)			
6c*	9322 185 70682	CRT 34" (/56, /57, /)	ab*	3139 128 23781	Degaussing coil 29" (/61, /71)
6c*	9322 185 75682	CRT 34" (/61, /69, /71, /79)	c*	3139 128 23821	Degaussing coil 34"
7ab*	3139 128 76611	Speaker & box assy (right)		3104 308 73703	Wire focus cable (black)
7c*	2422 264 00379	Speaker (full range)		3104 308 73692	Wire focus cable (red)
8ab*	3141 050 00161	Wordmark PHILIPS 29"		3104 308 73224	Antenna IEC cable
8c*	3141 050 00141	Wordmark PHILIPS 34"		3139 124 26301	Mains cord relief
9	3139 124 39211	Light guide		3139 128 75223	Mains cord (/57)
10	3139 138 10681	Mains knob assy		3139 128 75251	Mains cord (/61)
11	3139 124 32522	Bracket for Mains Switch panel		3139 128 75201	Mains cord (/56, /69)
12	3139 124 33211	Bracket for Mains Harmonic panel		3139 128 75291	Mains cord (/71)
				3139 128 75232	Mains cord (/79)
13	3104 304 21653	Bracket for DAF/DC-shift panel		3104 327 00021	Remote control (/56, /57, /69, /79)
14	3104 304 21603	Connector support bracket			Remote control (/61, /71)
15	3104 304 22832	Bracket for Large Signal panel		3104 327 00031	SSB snap
16a*	3139 124 39741	Rear cover 29" (/57)		3104 304 24111	Grease for EHT cap
16b*	3139 124 39331	Rear cover 29" (/57, /69, /79)		1322 504 97401	
16b*	3139 124 40661	Rear cover 29" (/61, /71)			
16c*	3139 124 40001	Rear cover 34" (/56, /57, /69, /79)	*a	29PT8320/xxR	
			*b	29PT8420/xxR	
16c*	3139 124 39991	Rear cover 34" (/61, /71)	*c	34PT8420/xxR	

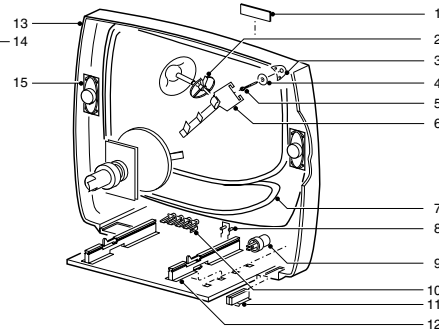
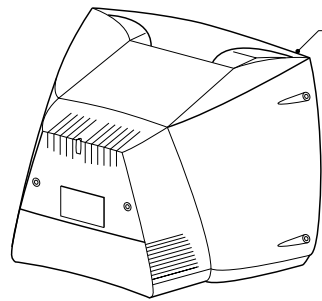
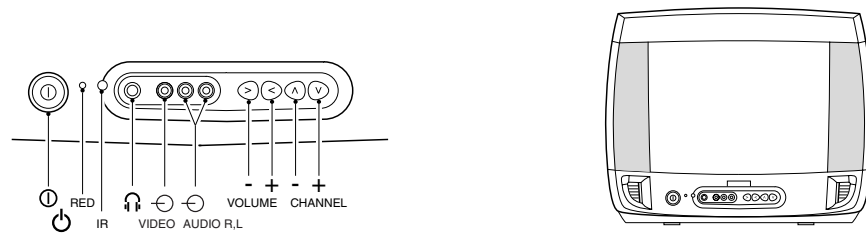
STYLING 370



STYLING 370.eps
200302

1	3139 137 85781	Cabinet 14"
2	3139 120 41141	CRT fixing screw
3	3139 124 23452	Chassis guide (HB)
3	3139 124 23463	Chassis guide (VO)
4	3139 120 01271	Wordmark
5	3139 124 36671	Rear cover
6	3139 124 39761	Control knob
7	3139 124 26252	Light guide
8	3139 124 39771	Mains knob
9	3139 124 23843	Mains cord relief
10	3139 124 23882	Tube spacer
11	3139 124 10113	Corner coil bracket
12	3139 128 23151	Degaussing coil (multi voltage)
13	2422 264 00408	Loudspeaker 8Ω 5W
	9322 1376 8682	Picture tube 14" A34AGT13X95

STYLING 371

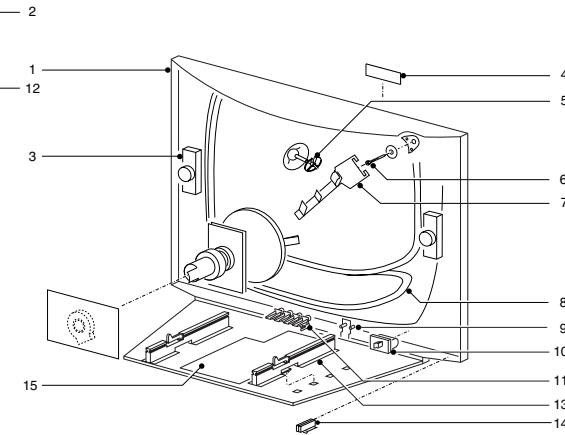
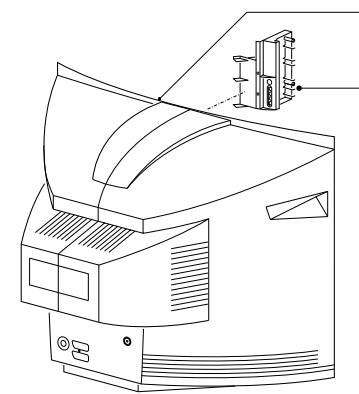
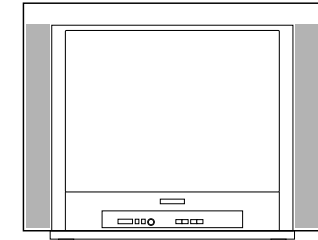
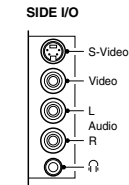
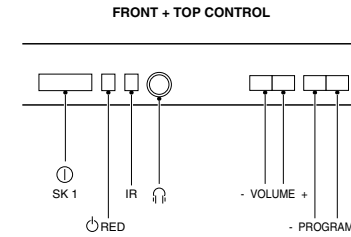


Styling 371.eps
200302

1	3139 120 01271	Wordmark
2	Not applicable	
3	3139 124 28491	Tube spacer
4	Not applicable	
5	3139 120 41141	CRT fixing screw
6	3139 124 10113	Corner coil bracket
7	3139 128 23151	Degaussing coil 14"
8	3139 124 27781	Light guide
9	3139 137 89201	Mains knob
10	3139 137 89191	Control knob

932213768682 Picture tube 14"
A34AGT13X95

STYLING 372



Styling 372.eps
190602

1a*	3139 137 84041	Cabinet 20" (HP, 2AV, FC)
1b*	3139 137 84181	Cabinet 20" (HP, 3AV, FC)
2	3139 120 41141	CRT fixing screw
3	3139 124 23463	Chassis guide (VO)
4	3139 120 01391	Wordmark
5a*	3139 124 36191	Rear cover (4AV, FM)
5b*	3139 124 36171	Rear cover (9AV)
6	3139 137 84301	Control knob
7	3139 124 33271	Light guide
8	3139 137 84571	Mains knob
9	Not applicable	Not applicable
10	3141 054 22221	Tube spacer
11	3139 124 20114	Corner coil bracket
12	3139 128 23201	Degaussing coil 20"
13	2422 264 00411	Loudspeaker 16Ω 5W

9322 137 70682 Picture tube 20"
A48AGY13X95 "

9322 181 78682 Picture tube 20"
A48LGS10X23" (/67 only)

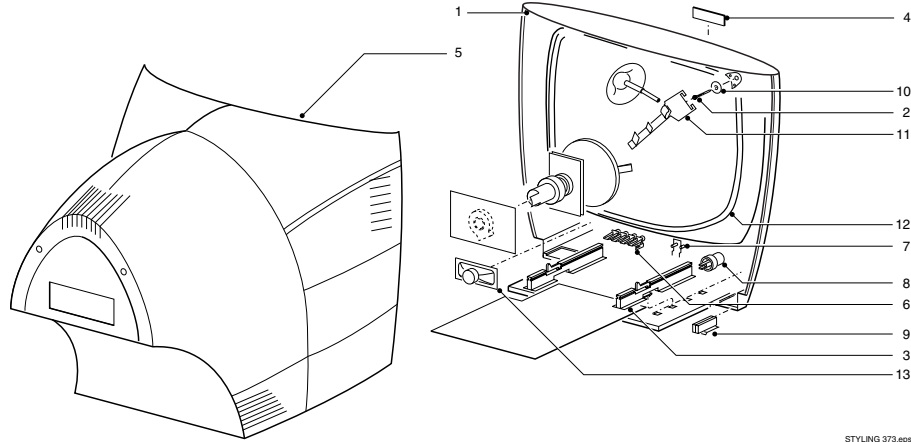
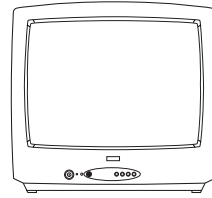
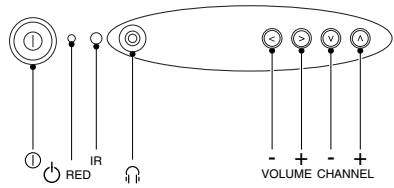
2422 549 42634 Multipole unit 20" (/67 only)

2422 549 40856 Deflection coil 20" (/67 only)

*a 20PT2011/67R, /71R
20PT2012/59A, /59B, /59C, /59S, /65R

*b 20PT2151/67R, /71R
20PT2152/65R, /68R, /69R"

STYLING 373

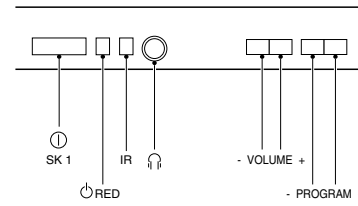


STYLING 373.eps
200302

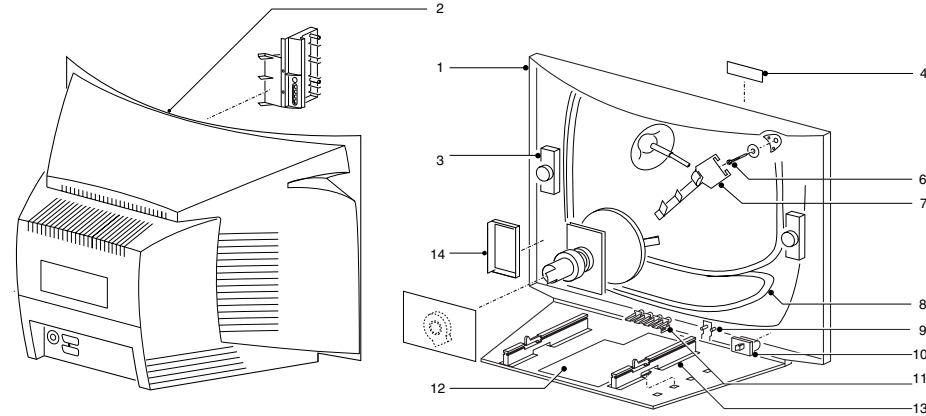
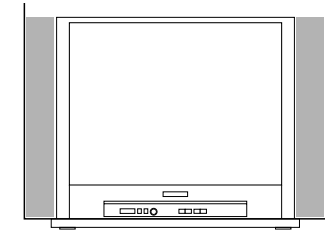
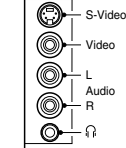
1a*	3139 137 84041	Cabinet 20" (HP, 2AV, FC)
1b*	3139 137 84181	Cabinet 20" (HR, 3AV, FC)
2	3139 120 41141	CRT fixing screw
3	3139 124 23463	Chassis guide (VO)
4	3139 120 01391	Wordmark
5a*	3139 124 36191	Rear cover (4AV, FM)
5b*	3139 124 36171	Rear cover (9AV)
6	3139 137 84301	Control knob
7	3139 124 33271	Light guide
8	3139 137 84571	Mains knob
9	Not applicable	Not applicable
10	3141 054 22221	Tube spacer
11	3139 124 20114	Corner coil bracket
12	3139 128 23201	Degaussing coil 20"
13	2422 264 00411	Loudspeaker 16Ω 5W
	9322 137 70682	Picture tube 20" A48AGY13X95 "
	9322 181 78682	Picture tube 20" A48LGS10X23"/(/67 only)
	2422 549 42634	Multipole unit 20"/(/67 only)
	2422 549 40856	Deflection coil 20"/(/67 only)
*a	20PT2011/67R, /71R 20PT2012/59A, /59B, /59C, /59S, /65R	
*b	20PT2151/67R, /71R 20PT2152/65R, /68R, /69R"	

STYLING 374

FRONT + TOP CONTROL



SIDE I/O

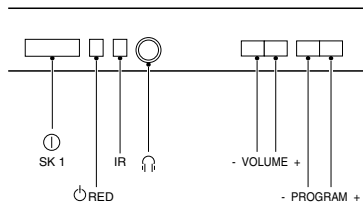


Styling 374.eps
200302

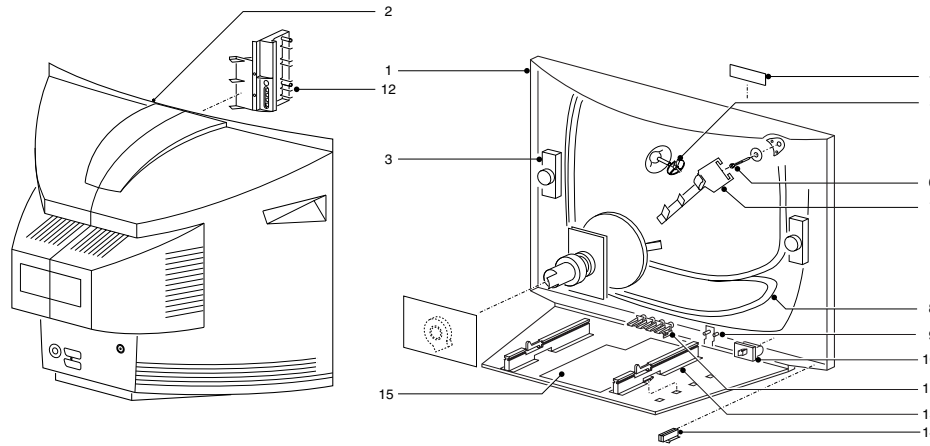
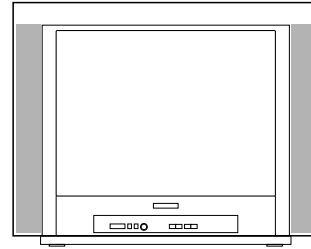
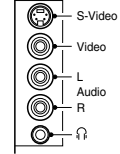
1a*	3139 138 15271	Cabinet 21"
1b*	3139 137 79751	Cabinet 21" ITV
2a*	3139 124 34591	Rear cover (6AV+S)
2b*	3139 124 36681	Rear cover (9AV) ITV
3	2422 264 00444	Loudspeaker 8Ω 10W
4	3139 120 01371	Wordmark (metal silver)
5	3141 054 22011	CRT spacer
6	3104 308 77012	CRT fixing screw
7	3139 124 21372	Degaussing coil bracket
8	3139 128 23201	Degaussing coil 21"
9	3139 124 32221	Light guide
10	3139 124 36331	Mains knob
11	3139 124 36311	Control knob
12	3139 124 39541	Side-AV bracket
13	3139 124 30812	Chassis guide (VO)
14	3139 124 33341	V0 plate
	9322 153 82682	Picture tube 21" A51LSK955X01
	9322 156 24682	Picture tube 21" A51LSK955X/(/67R only)
	2422 549 42609	Multipole unit(/67R only)
	2422 549 44575	Deflection coil(/67R only)
*a	21PT2252/56A, /57R, /68R, /69R, /79R, /65R 21PT2251/97R, /67R, /71R	
*b	21HT2212/67R, /69R 21HT2211/68Z, /69Z	

STYLING 375

FRONT + TOP CONTROL



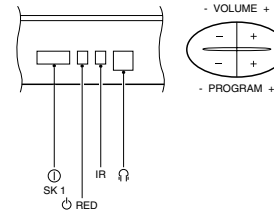
SIDE I/O



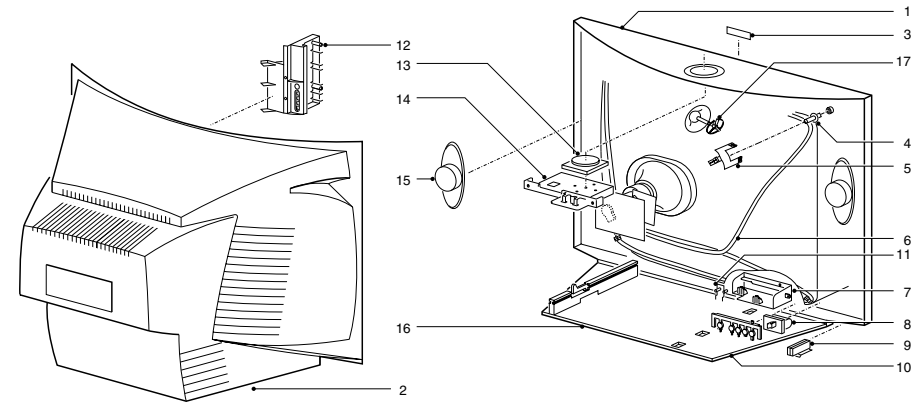
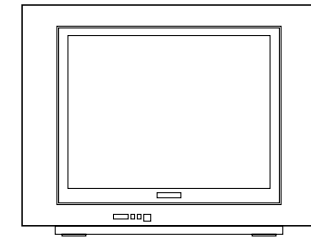
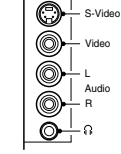
1	3139 137 85831	Cabinet (HP+FC)
2a*	3139 124 35741	Rear cover 21" (4AV+FM)
2b*	3139 124 35881	Rear cover 21" ITV
3	3141 050 00181	Wordmark
4	3139 120 41141	CRT fixing screw
5	3139 124 10113	Bracket
6	3139 128 23201	Degaussing coil 21" (multi volt)
7	3139 137 86011	Control knob
8	3139 137 86061	Mains knob
9		Not applicable
10	3139 124 30812	Chassis guide (VO)
11	3139 124 34401	Light guide
12		Not applicable
13		Not applicable
14	2422 264 00411	Loudspeaker 16Ω 5W
15	3139 124 33291	VO plate
	9301 843 10329	Picture tube 21" A51EHW135X47
*a	21PT2011/67R, /71R 21PT2012/59A, /59B, /59C, /79R 21PT2152/69R, /79R	
*b	21HT2017/69Y, /79Y	

STYLING 376

FRONT + TOP CONTROL

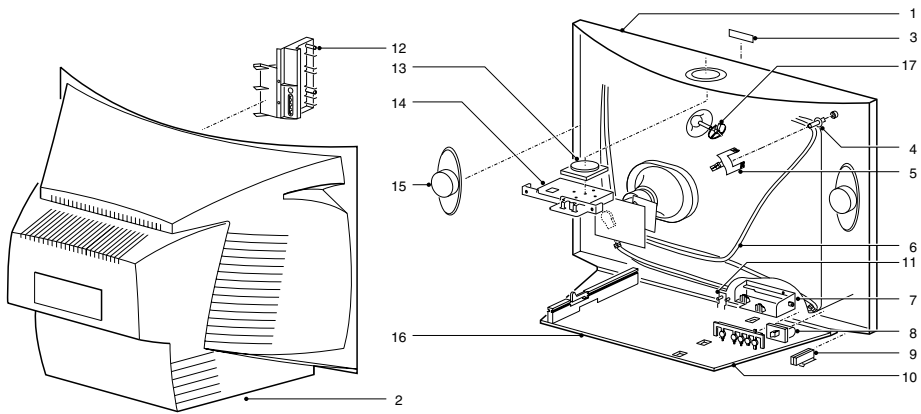
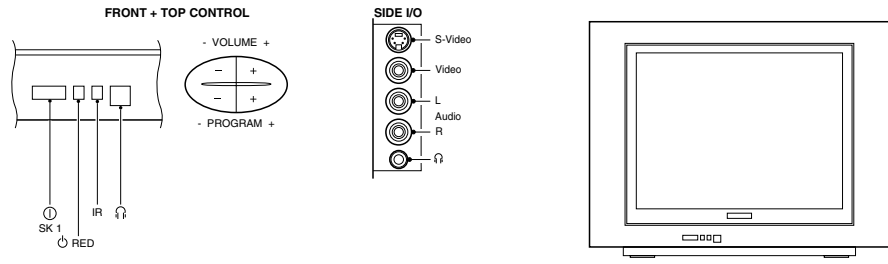


SIDE I/O



1a*	3139 124 37751	Rear cover 21" (2AV)
1b*	3139 124 38191	Rear cover 21" (2AV+SPLS) ITV
2	2422 264 00401	Loudspeaker 16Ω 5W
3		Not applicable
4	3139 137 85031	Cabinet 21"
5	3139 120 41141	CRT fixing screw
6	3139 124 10113	Bracket
7	3141 050 00181	Wordmark
8	3139 128 23201	Degaussing coil 21" (multi volt)
9	3139 124 25852	Light guide
10	3139 137 69702	Control knob
11	3139 124 24752	Chassis guide (HB)
12	3139 124 24783	Chassis guide (VO)
13	3139 137 69692	Mains knob
14		Not applicable
15	3139 124 23843	Mainscord relief
	9301 843 10329	Picture tube 21" A51EHW135X47
*a	21PT2001/59B, /67R, /71R, /79R	
*b	21HT2001/59Z, /79Z 21HT2002/79R	

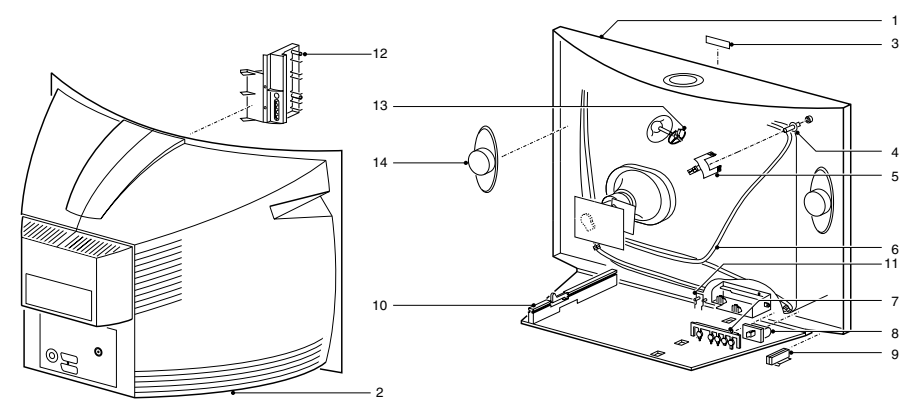
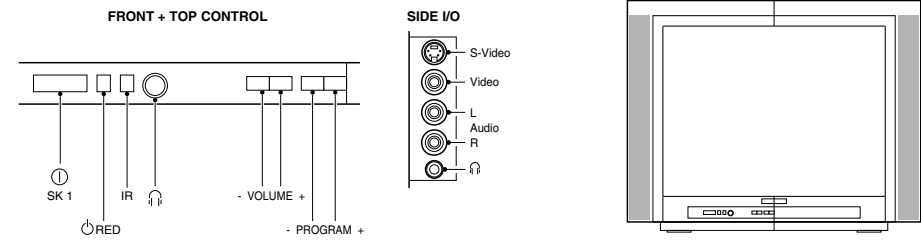
STYLING 377



STYLING 377.eps
200302

1	3139 138 17631	Cabinet 21"
2	3139 124 34591	Rear cover 21" (6AV+S)
3	3139 120 01371	Wordmark (metal)
4	3104 308 77012	CRT fixing screw
5	3139 124 21372	Degaussing coil bracket
6	3139 128 23201	Degaussing coil 21" (multi volt)
7	Not applicable	
8	3139 137 76521	Mains knob
9	Not applicable	
10	3139 124 33341	V0 plate
11	3139 124 32221	Light guide
12	3139 124 39541	Side-AV bracket(HP+3AV)
13	3139 124 31131	Top control cover
14	3139 124 30381	Top control bracket
15	2422 264 00444	Loudspeaker 8Ω 10W
16	3139 124 30812	Chassis guide (VO)
17	Not applicable	
	9322 153 82682	Picture tube 21" A51LSK955X01
	9322 156 24682	Picture tube 21" A51LSK955X (/67R only)
	2422 549 42609	Multipole unit(/67R only)
	2422 549 44575	Deflection coil(/67R only)

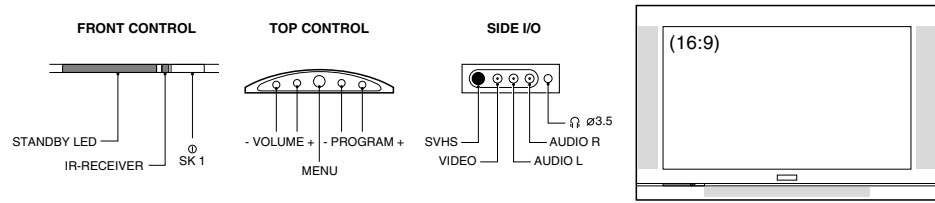
STYLING 378



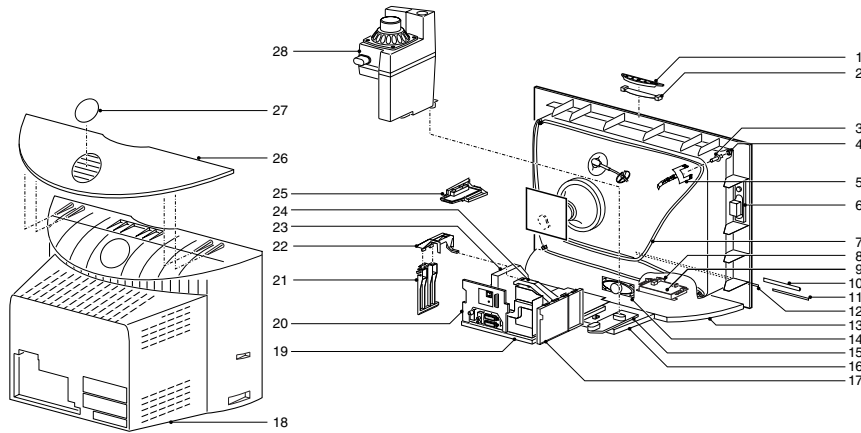
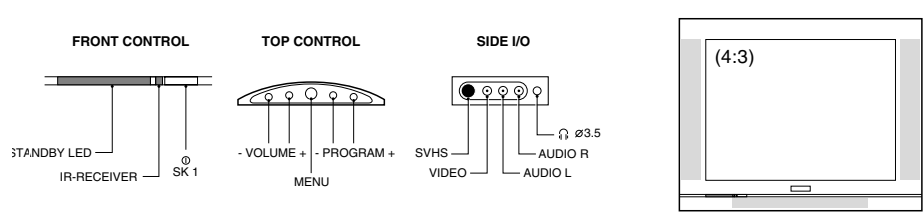
Styling 378.eps
200302

1	3139 137 90211	Cabinet 25"
2	3139 124 34971	Rear cover 25"
3	3141 050 00091	Wordmark
4	3104 308 77012	CRT fixing screw
5	3139 124 21802	Coil clamp
6	3139 128 23371	Degaussing coil 21" (multi volt)
7	3139 137 93791	Control knob
8	3139 137 93781	Mains knob
9	Not applicable	
10	3139 124 25893	Chassis guide (VO)
11	3139 124 35681	Light guide
12	3139 124 39541	Side-AV bracket(HP+3AV)
13	3139 124 17541	EHT spacer
14	2422 264 00409	Loudspeaker 8Ω 5W
15	3139 124 23861	Tube spacer
	9301 791 90365	Picture tube 25" A59EEJ71X11
	3322 912 03401	Picture tube 25" A59EEJ71X11 (/67R only)
	3322 603 01571	Deflection coil(/67R only)

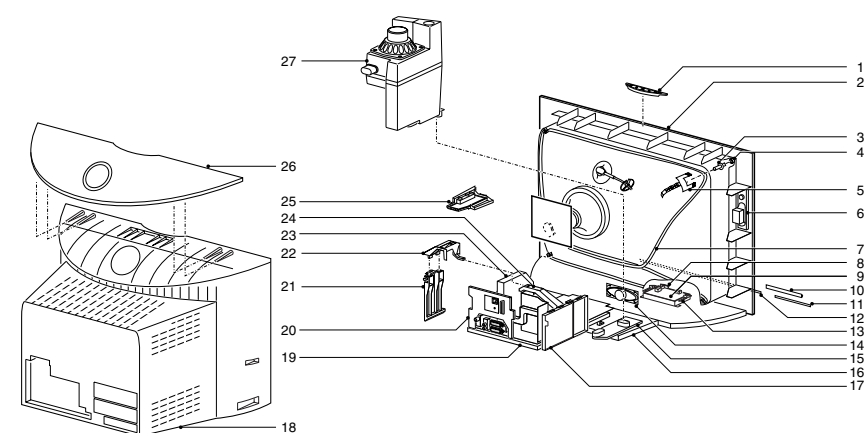
STYLING 380



STYLING 382



STYLING 380.eps
201202

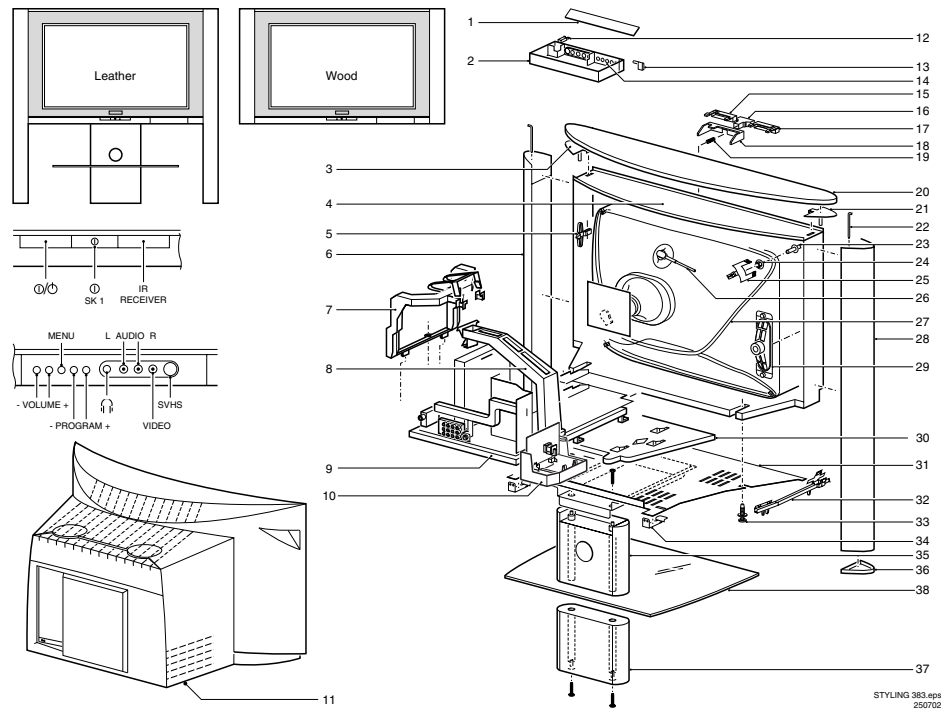


STYLING 382.eps
090702

1	3104 307 98241	Top control keypad	23	3104 301 24131	Shielding frame SSB (A-side)
2	3104 304 23431	Top control bottom	23	3104 301 24141	Shielding frame SSB (Z-side)
3	3104 308 74023	Insert (VP19000)	23	3104 301 24151	Shielding cover SSB (A-side)
4	4822 502 21359	Picture tube screw	23	3104 301 24161	Shielding cover SSB (Z-side)
5a*	3104 304 14411	Bracket fix deg. coil short (4x)	24	3104 304 24131	Bracket LOT-support
5b*	3104 304 14411	Bracket fix deg. coil short (2x)	25abc*	3104 328 24351	Side I/O assy
5b*	4822 404 31289	Bracket fix deg. coil long (2x)	25d*	3104 328 17431	Side I/O assy
5cd*	3104 304 21091	Bracket fix deg. coil short (4x)	25	3104 304 23481	Side I/O bracket
6	2422 264 00429	L/R loudspeaker (2x)	26+27a*	3104 307 98631	Top cover assy (incl. disc)
7a*	2422 549 44621	Degaussing coil	26+27b*	3104 307 98641	Top cover assy (incl. disc)
7b*	2422 549 44244	Degaussing coil	26+27cd*	3104 307 98651	Top cover assy (incl. disc)
7c*	3104 308 20391	Degaussing coil	27	3104 308 78201	Rubber earring
7d*	2422 549 44243	Degaussing coil	28	3104 130 01981	Subwoofer box
8	3104 307 97621	Mains switch knob			
9	3104 304 23471	Bracket Mains Switch panel	a*	3104 328 20441	Top control assy
10	3104 304 23461	Light guide	b*	3104 328 17131	Top control assy
11a*	3104 304 23651	Deco strip left	cd*	3104 328 17301	Top control assy
11b*	3104 304 23621	Deco strip left		3104 300 12311	Matchline emblem
11cd*	3104 304 23591	Deco strip left		3104 300 12241	Philips wordmark
12a*	3104 304 23661	Deco strip right	cd*	3104 304 21032	Bracket Rotation coil
12b*	3104 304 23631	Deco strip right		3128 138 60661	Rotation coil
12cd*	3104 304 23601	Deco strip right	a*	9301 899 90306	Picture tube W66ERF042X044
13a*	3104 328 16531	Cabinet assy	b*	9301 895 00306	Picture tube W76ERF052X044
13b*	3104 328 16572	Cabinet assy	cd*	3104 300 50301	Picture tube W86LPX955X
13c*	3104 328 24361	Cabinet assy	ab*	3128 147 13981	Remote control RC2048
13d*	3104 328 16611	Cabinet assy	c*	3128 147 13991	Remote control RC2049
14	2422 264 00431	Centre loudspeaker (1x)	d*	3128 147 14011	Remote control RC2060
15	3104 304 24241	Bracket Subwoofer support		4822 321 11493	Mains cord (/05, /57)
16abc*	3104 304 23501	Bottom plate		4822 321 11499	Mains cord (/12, /69)
16d*	3104 304 24352	Bottom plate		2422 070 98132	Mains cord (/79)
17	3104 304 23041	Bracket DAF/DC-shift panel		3104 328 11841	Mains cord (/71)
18a*	3104 307 98461	Rear cover assy		3104 304 20181	Mains cord holder
18b*	3104 307 98521	Rear cover assy	b*	3104 304 24252	Rear cover inserts
18c*	3104 307 98601	Rear cover assy	c*	3104 304 24291	Rear cover inserts
18d*	3104 307 98613	Rear cover assy	d*	3104 304 24031	Rear cover inserts
19	3104 304 23002	Frame for LSP			
20ab*	3104 304 21331	Coverplate SCART3/wireless	*a	28PW9527/xxx	
20cd*	3104 304 24581	Coverplate SCART3/wireless	*b	32PW9527/xxx	
21	3104 304 24141	Bracket Auto-SCAVEM	*c	36PW9527/xxx	
22	3104 304 24151	Bracket SSB top-support	*d	34PW9818/xxx	

1a*	3104 328 19791	Top control assy 29"	21	3104 304 24141	Bracket for SSB bottom support
1b*	3104 328 17301	Top control assy 34"	22	3104 304 24151	Bracket for SSB top support
2a*	3104 328 12231	Cabinet 29"	23	3104 301 24131	Shielding frame SSB (A-side)
2b*	3104 328 12221	Cabinet 34"	23	3104 301 24141	Shielding frame SSB (Z-side)
3a*	4822 505 11195	CRT screw 29"	23	3104 301 24151	Shielding cover SSB (A-side)
3b*	4822 502 21359	CRT screw 34"	23	3104 301 24161	Shielding cover SSB (Z-side)
4b*	3104 308 74023	CRT fixing insert (VP19000)	24	3104 304 24131	LOT support bracket
5a*	3139 124 31122	Bracket degaus. coil 29" (4x)	25	3104 328 24351	Side I/O assy
5b*	3139 124 32811	Bracket degaus. coil 34" (4x)	25	3104 304 23481	Side I/O bracket
6	2422 264 00429	L/R loudspeaker (2x)	26a*	3104 307 97561	V0 Top cover 29"
7a*	2422 549 44579	Degaus. coil 29" (/57)	26b*	3104 307 97551	V0 Top cover 34"
7a*	3139 128 23781	Degaus. coil 29" (/61, /69, /71, /79)	27	3104 130 01981	Subwoofer box
7b*	3104 308 20361	Degaus. coil 34" (/57)	a*	3104 304 22432	Bracket PIP/3D-comb panel
7b*	3104 308 20351	Degaus. coil 34" (/61, /69, /71)	a*	3139 124 39581	Bracket Rotation coil 29"
			b*	3104 304 21032	Bracket Rotation coil 34"
8	3104 307 97621	Mains knob assy	a*	3128 138 60661	Rotation coil
10	3104 304 23461	Light guide	a*	9322 176 14682	CRT 29" (/57, /61)
11a*	3104 304 23531	Deco strip left 29"	a*	9322 160 15682	CRT 29" (/69, /71, /79)
11b*	3104 304 23561	Deco strip left 34"	b*	9322 185 70682	CRT 34" (/57, /61)
12a*	3104 304 23541	Deco strip right 29"	b*	9322 185 75682	CRT 34" (/69, /71)
				3128 147 14011	Remote RC2060 (/61, /69, /71, /79)
12b*	3104 304 23571	Deco strip right 34"			
13	3104 304 23471	Bracket Mains Switch panel		3128 147 13991	Remote RC2049 (/57)
14	2422 264 00431	Centre loudspeaker (1x)	ab*	4822 321 11493	Mains cord (/57)
15	3104 304 24241	Subwoofer support bracket	ab*	4822 321 11499	Mains cord (/69)
16	3104 304 24231	Bottom plate	ab*	3104 328 24341	Mains cord (/61, /71)
			ab*	2422 070 98207	Mains cord (/79)
17	3104 304 23041	Bracket for DAF panel		3104 304 20182	Mains cord holder
18	3104 307 97501	Rear cover assy 29"	a*	3104 300 12311	'Matchline' emblem
18	3104 307 97491	Rear cover assy 34"	a*	3104 300 12231	'Philips' wordmark 29"
19	3104 304 23002	Bracket for LSP	b*	3104 300 12241	'Philips' wordmark 34"
20	Not applicable				
			*a	29PT9420/xxR	
			*b	34PT9420/xxR	

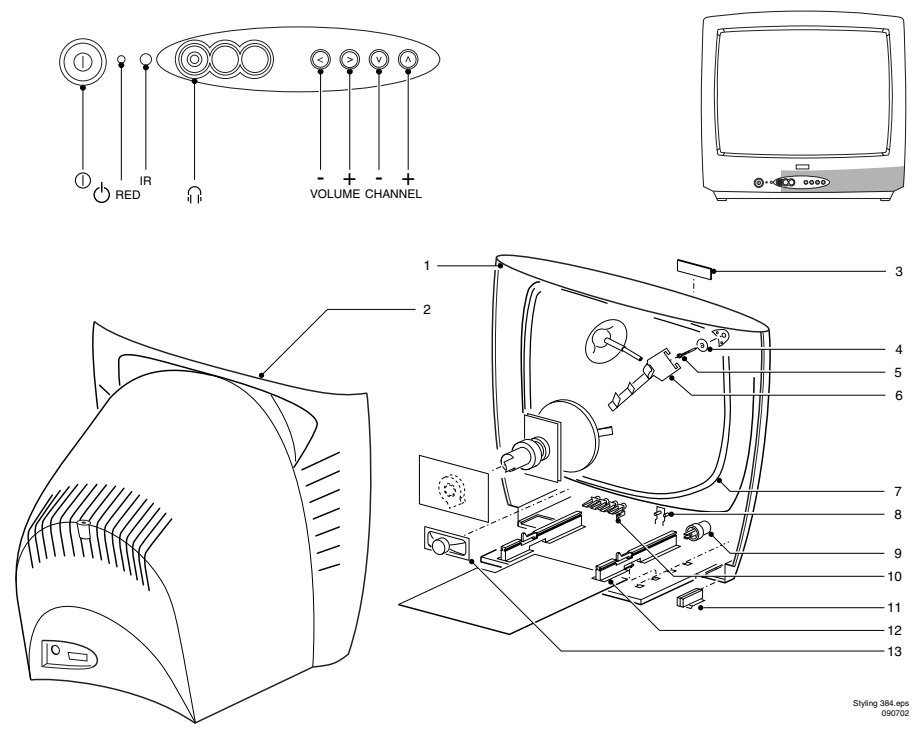
STYLING 383



1abc*	3104 307 96921	Door assy	27	2422 549 44244	Degaussing coil
1d*	3104 307 99601	Door assy	28a*	3104 307 99271	Alu. column left, Green Leather
2abc*	3104 304 22621	Front I/O bracket	28b*	3104 307 99291	Alu. column left, Blue Leather
2d*	3104 304 25221	Front I/O bracket	28c*	3104 307 99281	Alu. column left, Brown Leather
3	3104 307 99361	Top cover alu. column right	28d*	3104 307 99311	Alu. column left, Wood
4a*	3104 328 20351	Cabinet assy 32", Green Leather	29	2422 264 00386	Loudspeaker (2x)
4b*	3104 328 20361	Cabinet assy 32", Blue Leather	30	3104 304 22012	Bottom plate
4c*	3104 328 20341	Cabinet assy 32", Brown Leather	31abc*	9965 000 07349	Metal top plate of stand
4d*	3104 328 20371	Cabinet assy 32", Wood	32	4822 402 11183	Mains cord relief
5	9301 880 70314	Picture tube 32"	33abc*	3104 308 78041	Screw for stand assy
6a*	3104 307 99261	Alu. column right, Green Leather	34abc*	9965 000 07348	Steel clip
6b*	3104 307 99281	Alu. column right, Blue Leather	35a*	9965 000 13389	Back column top part, Green
6c*	3104 307 99241	Alu. column right, Brown Leather	35b*	9965 000 13390	Back column top part, Blue
6d*	3104 307 99301	Alu. column right, Wood	35c*	9965 000 13391	Back column top part, Brown
7	3104 304 23021	SSB top support bracket	36abc*	3104 304 22691	Foot right
8	3104 304 23011	LOT support bracket	36d*	3104 307 99401	Foot right
9	3104 304 23001	Frame for LSP	36abc*	3104 304 22701	Foot left
10	3104 304 23041	Bracket for DAF/DC shift panel	36d*	3104 307 99411	Foot left
11a*	3104 307 99481	Rear cover 32", Green Leather	37a*	9965 000 13389	Back column bott. part, Green
11b*	3104 307 99491	Rear cover 32", Blue Leather	37b*	9965 000 13390	Back column bott. part, Blue
11c*	3104 307 99471	Rear cover 32", Brown Leather	37c*	9965 000 13391	Back column bott. part, Brown
11d*	3104 307 99461	Rear cover 32", Wood	38abc*	9965 000 07389	Glass plate
12	3104 308 70381	Locking unit	a*	3104 308 78251	Rear leg stand assy 32", Green Leather
13	3104 308 78011	Damped hinge	b*	3104 308 78261	Rear leg stand assy 32", Blue Leather
14	3104 304 22661	Control knobs frame	c*	3104 308 78241	Rear leg stand assy 32", Brown Leather
15	3104 304 22671	Window right		4622 009 50782	Mains cord for -/05
16	3104 307 96912	Mains knob assy		4622 009 50772	Mains cord for -/12
17	3104 304 22681	Window left	a*	3104 300 12341	Wordmark 32", Green Leather
18	3104 304 22601	Mains switch bracket	b*	3104 300 12351	Wordmark 32", Blue Leather
19	Not present	Spring	c*	3104 300 12331	Wordmark 32", Brown Leather
20a*	3104 304 99331	Top plate 32", Green Leather	d*	3139 120 01192	Wordmark 32", Wood
20b*	3104 304 99341	Top plate 32", Blue Leather		3104 308 77981	Focus cable
20c*	3104 304 99321	Top plate 32", Brown Leather		4822 157 11825	Rotation coil
20d*	3104 304 99352	Top plate 32", Wood		3104 304 22312	Service-connector cover
21	3104 307 99371	Top cover alu. column left		3104 304 21081	V0 plate
22	3104 301 62111	Pin fix aluminum columns	abc*	3104 207 09561	Remote control RC2031/01B
23	4822 404 31294	CRT fixation VP19100	d*	3104 207 09551	Remote control RC2030/01B
24	4822 502 21359	CRT screw	*a	32PW9594/xx	Green Leather
25	4822 404 31289	Bracket fix degaussing coil (2x)	*b	32PW9595/xx	Blue Leather
25	4822 403 70906	Bracket fix degaussing coil (2x)	*c	32PW9596/xx	Brown Leather
26	3104 311 03272	EHT cable	*d	32PW9586/xx	Wood

STYLING 383.eps
250702

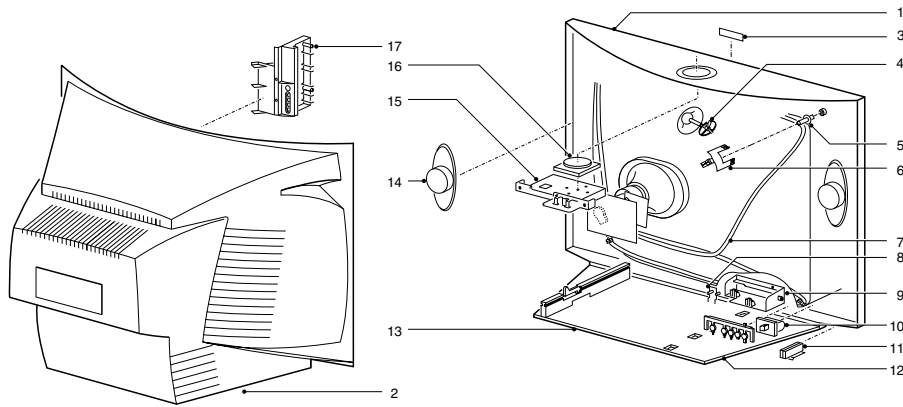
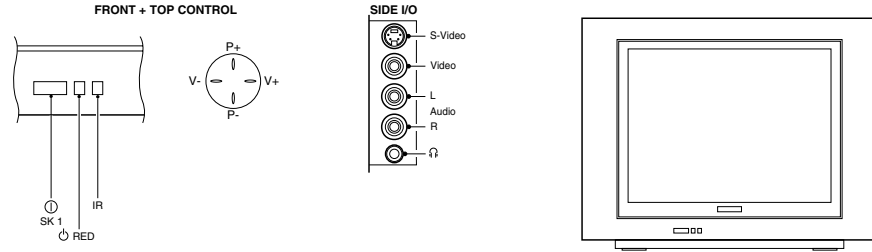
STYLING 384



1	3139 138 16201	Cabinet
2	3139 124 36571	Rear cover
3	3111 250 00311	Wordmark Aristona
4	Not applicable	
5	3119 100 42091	CRT screw
6	4822 404 31325	Bracket degaussing coils
7	2422 549 44844	Degaussing coil 14"
8	3139 124 31661	Light guide
9	3139 124 37871	Mains knob
10	4822 410 12149	Control knob
11	Not applicable	
12	4822 463 11126	Chassis guide (HB)
12	4822 463 11125	Chassis guide (VO) Right
13	2422 264 00399	Loudspeaker 16Ω 4W
	3111 257 55091	Mains cord
	9301 861 90313	Picture tube 14"
		A34EAC01X113
	3111 257 56161	Rod antenna
	3111 254 23481	Spacer EHT
*a	37TA1276, 37TA1476	

Styling 384.eps
090702

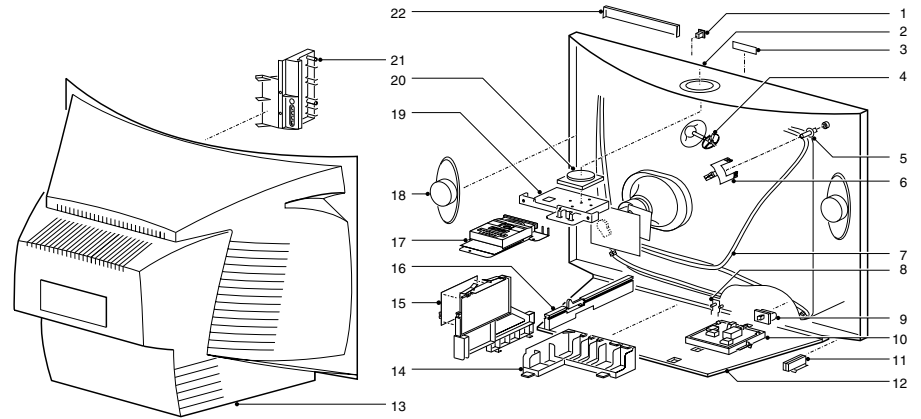
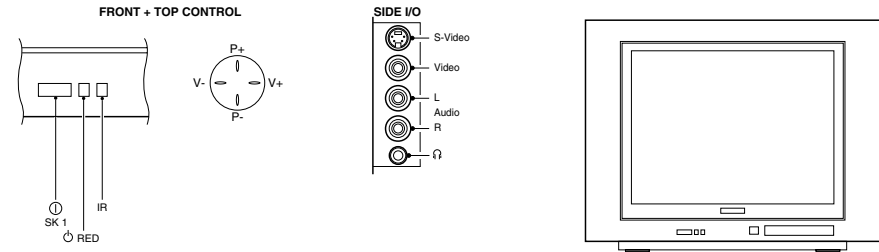
STYLING 385



1	3111 257 57751	Cabinet (silver shadow)
2	3111 257 58491	Rear cover
3	3111 250 00911	Wordmark (silver shadow)
4	3111 254 23481	EHT & degaussing coil clamp
5	4822 505 11195	CRT fixing screw
6	3139 124 33471	Degaussing coil bracket
7	2422 549 44669	Degaussing coil 21"
8	3139 124 32221	Light guide
9	Not applicable	
10	3139 137 93691	Mains knob (silver shadow)
11	not applicable	
12	3139 124 33341	VO plate
13	3139 124 30871	Chassis guide (VO)
14	2422 264 00435	Loudspeaker 8Ω 5W
15	3139 124 30381	Top control bracket
16	3139 137 66921	Top control button
17	3139 124 32241	Side AV bracket
	9301 903 19342	Picture tube 21" A51ERF135X74
	4822 321 11499	Mains cord EU
	4822 321 11493	Mains cord UK
	3111 257 71451	Stand 21" (UK only)
	21PT5507	

STYLING 385.eps
090702

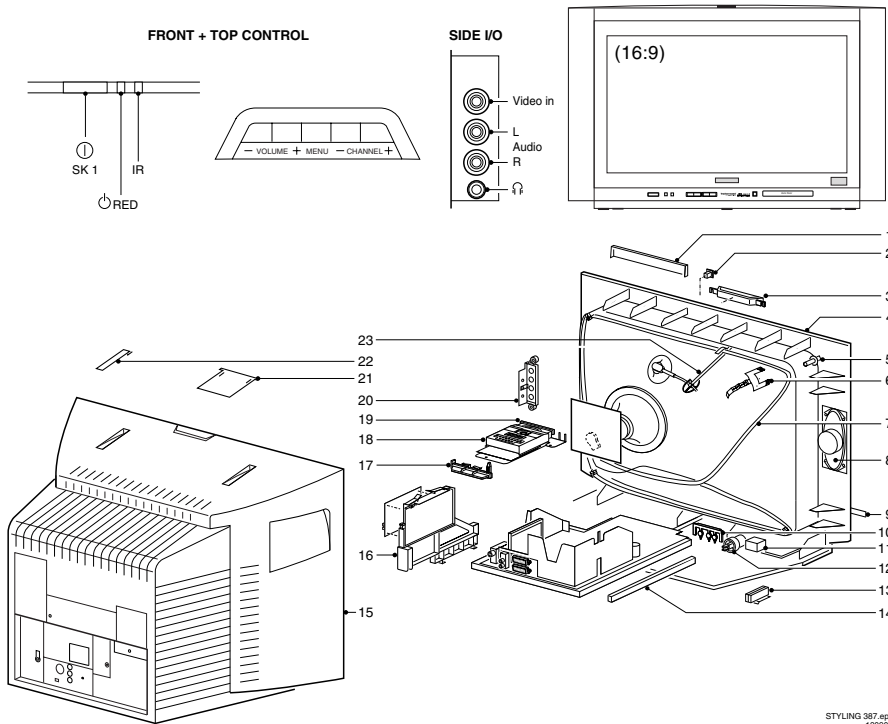
STYLING 386



1a*	3111 257 58671	Cabinet no DVD silver	17	3139 121 27074	DVD top shield
1b*	3111 257 58591	Cabinet DVD silver	18	2422 264 00409	Loudspeaker 8Ω 5W
2a*	3111 257 58681	Rear cover no DVD	19+20	3139 138 13541	Top control assy
2b*	3111 257 58601	Rear cover DVD	21	3139 124 37662	Side AV bracket
3	3111 250 00911	Wordmark (silver shadow)	22	3139 177 50151	DVD door
4	3139 177 50161	DVD eject button	9301 903 19342	Picture tube 21" A51ERF135X74	
5	3111 254 23481	EHT & degaussing coil clamp	2422 070 98091	Mains cord EU	
6	4822 505 11195	CRT fixing screw	4822 321 11493	Mains cord UK	
7	3139 124 33471	Degaussing coil bracket	3111 257 71451	Stand 21" (UK only)	
8	2422 549 44669	Degaussing coil 21"			
9	3139 124 41421	Light guide	*a	21PT5606/01	
10	3139 138 10681	Mains knob silver	*b	21PT6807/01	
11	3139 124 32522	Front interface bracket			
12	3122 224 04623	Mainscord relief			
13	3139 124 39161	VO plate			
14	3139 124 40321	Front main PCB bracket			
15	3139 124 42331	DVD interface/PIP bracket			
16	3139 124 40331	Chassis guide HB			
16	3139 124 30881	Chassis guide VO			
17	3139 121 27151	DVD bottom shield			

STYLING 386.eps
090702

STYLING 387

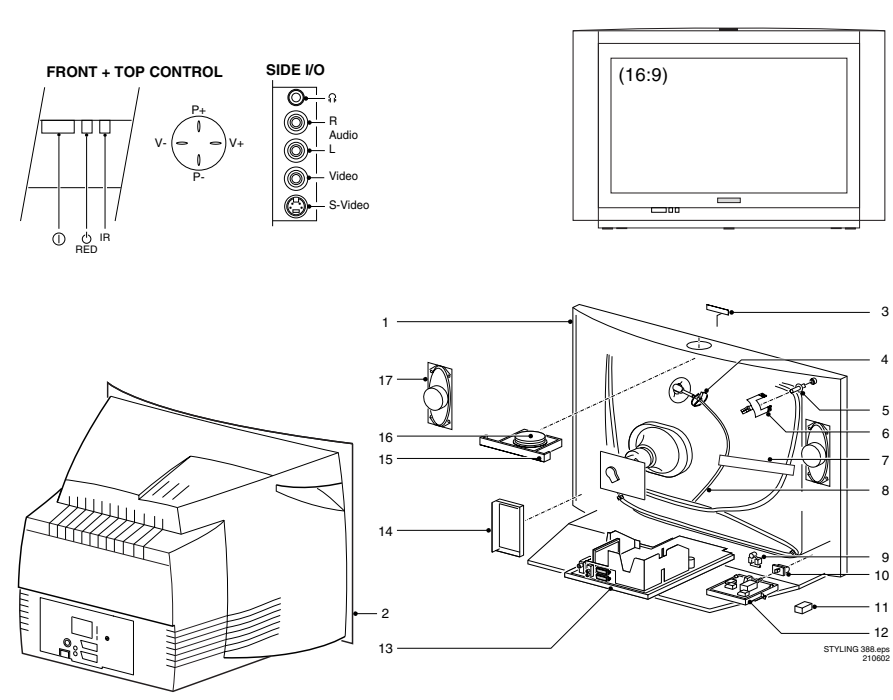


STYLING 387.eps
180902

1b	3139 177 50151	DVD door
2b	3139 177 50161	Eject button
3	3139 138 13541	Top control assy
4	3111 257 58881	Cabinet 24" (no DVD)
4b	3111 257 58891	Cabinet 24" (DVD)
5	3104 308 77012	CRT fixing screw
6	3104 304 18634	Corner coil bracket
7	2422 549 44563	Degaussing coil 24"
8	3139 128 76202	Speaker assy 10Ω 8 Ohm
9	3111 250 00911	Wordmark (silver shadow)
10	Not applicable	
11	3139 177 50661	Mains knob
12	3139 124 41511	Light guide
13	3122 224 04623	Mains cord relief
14	3139 124 30871	Chassis guide HB
14	3139 124 30881	Chassis guide V0
15	3111 257 58931	Rear cover (no DVD)
15b	3111 257 58901	Rear cover (DVD)
16b	3139 124 42331	DVD interface/pip bracket
17b	3139 121 27151	DVD bottom shield

18b	3139 121 27074	DVD top shield
19	3139 124 37662	Side AV bracket(3P+HP)
20	3139 124 39161	V0 plate
21	3139 124 40401	Screw cap
22	3111 254 23481	THT & coil clamp
23b	3139 124 41411	Lock plate
	2422 070 98091	Mains cord
	4622 009 50491	Mains cord (UK)
	9301 886 30347	Picture tube 24" W56ERF001X11
a	24PW6407/01/05	
b	24PW6817/01/05	

STYLING 388



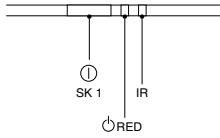
STYLING 388.eps
210902

1	3111 257 58531	Cabinet 28"
2	3111 257 56671	Rear cover 28"
3	4822 454 13455	Wordmark 28" Philips
4	3111 254 23481	Coil & EHT bracket
5	4822 505 11195	CRT screw 28"
6	4822 403 70906	Corner coil bracket
7	4822 404 31341	Coil clamp
8	2422 549 44621	Degaussing coil 28"
9	3139 124 33811	Light guide
10	3139 124 33801	Mains knob
11	4822 466 11453	Mains cord relief
12	3139 124 32521	Front control bracket
13	3139 124 41201	Chassis tray
14	3139 124 37661	Side AV bracket
15ac*	3139 124 30381	Top control bracket
16	3139 137 66921	Top control button
17b*	3139 128 76202	Loudspeaker 8Ω 10W
ab*	9301 805 90301	Picture tube 28" W66ERF001X013
	4822 321 11493	Mains cord UK
	4822 321 11499	Mains cord EU

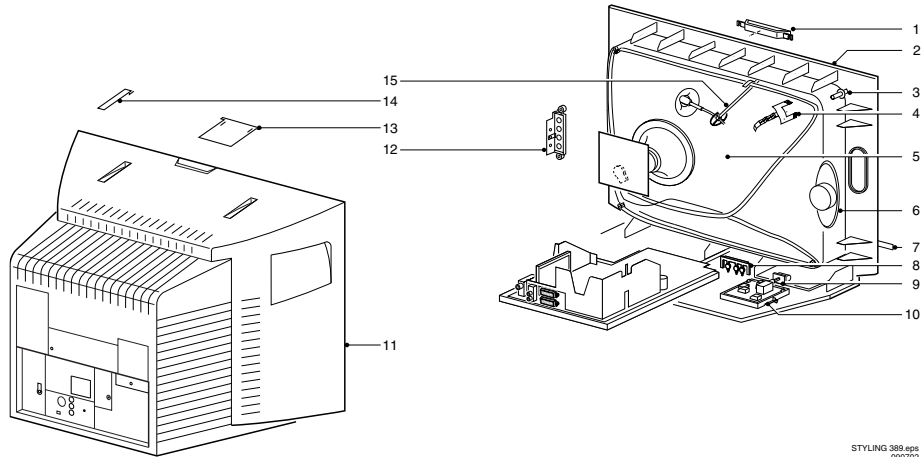
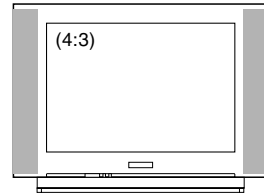
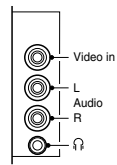
28PW6506

STYLING 389

FRONT + TOP CONTROL



SIDE I/O



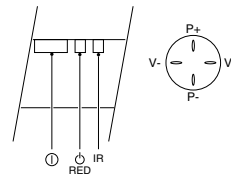
STYLING 389.eps
090702

1	3139 124 39181	Top control knob
1	3139 124 39171	Top control bracket
2	3111 257 58551	Cabinet 29"
3	4822 505 11195	CRT screw
4	3139 124 31121	Degaussing coil bracket
5	9322 177 18682	Picture tube 29" A68QCP891X628
6	3139 128 76202	8Ω 10W
7	4822 454 13455	Wordmark Philips
8	3139 124 39211	Light guide
9	3139 138 10681	Mains knob
10	3139 124 32521	Front interface bracket
11	3111 257 58561	Rear cover
12	3139 124 37661	Side AV bracket
13	3139 124 39161	VO plate for rear cover
14	3139 124 42231	Screw cap for rear cover
15	3111 254 23481	EHT and degaussing coil clamp
	2422 549 44579	Degaussing coil 29"
	3139 137 23671	FM radio wire
	4822 404 31291	Mains cord relief
	4822 321 11499	Mains cord EU

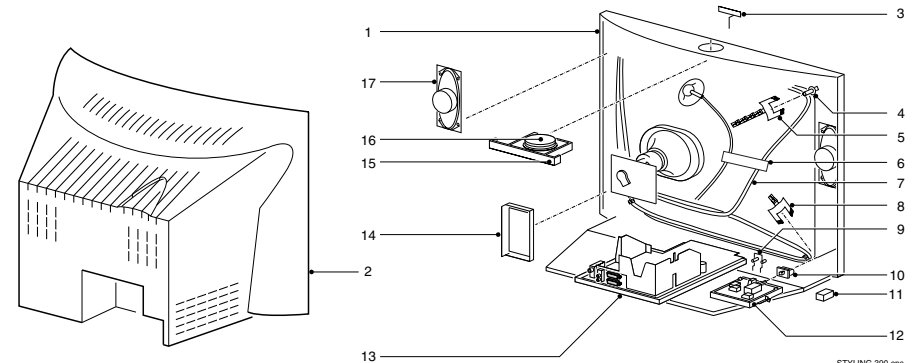
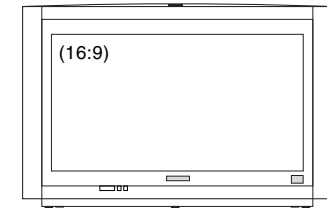
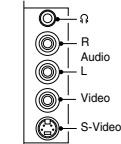
29PT5606

STYLING 390

FRONT + TOP CONTROL



SIDE I/O



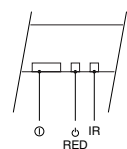
STYLING 390.eps
210602

1	3111 257 58541	Cabinet 32"
2	3111 257 56681	Rear cover 32"313912432042
3	3111 250 00811	Wordmark 32" Philips
4	4822 502 14602	CRT screw311125040031
5	4822 404 31289	Corner coil bracket *met
6	4822 404 31341	"310430414713 Clamp between EHT cable and Deg. coil310430415291
7	2422 549 44244	Degaussing coil 32"
8	4822 403 70906	Corner coil bracket 310430414414
9	3139 124 33811	Light guide
10	3139 124 33801	Mains knob
11	4822 404 31291	Mains cord relief 310430414765
12	3139 124 32521	Front interface bracket 313912432522
13	3139 124 41201	Chassis tray
14	3139 124 37661	Side AV bracket
15	3139 124 30381	Top control bracket
16	3139 137 66921	Top control button
17	2422 257 20547	Loudspeaker 8Ω 15W
	4822 321 11499	Mains cord EU462200950511
	4822 321 11493	Mains cord UK462200950511
	4822 532 13136	VO insulator ring
	9301 880 80301	Picture tube 32" W76ERF042X013 930188080314

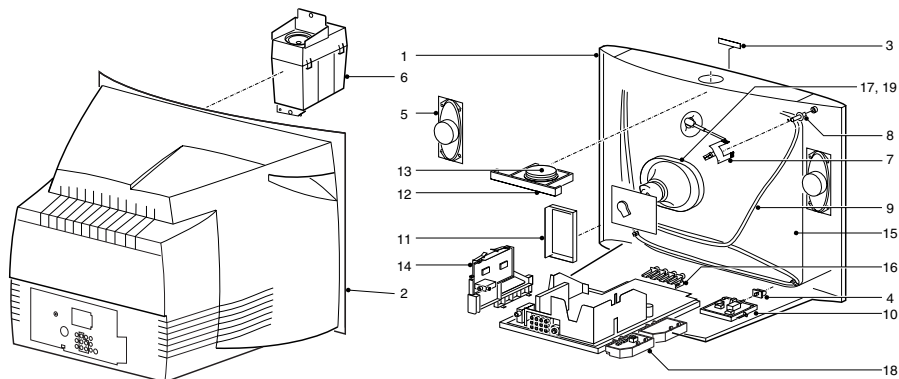
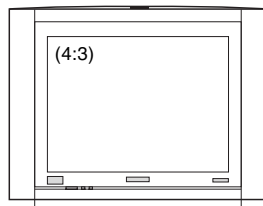
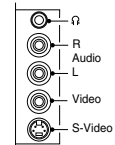
32PW6506

STYLING 393

FRONT + TOP CONTROL



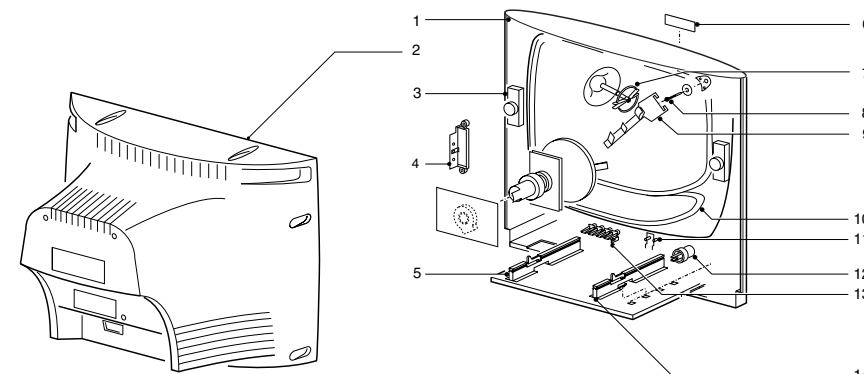
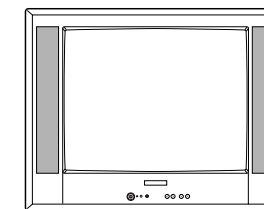
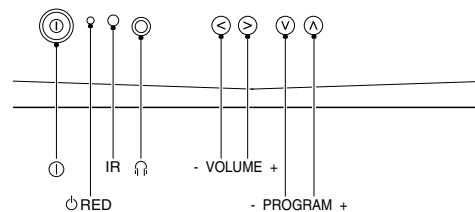
SIDE I/O



STYLING 393.eps
180902

1	313913819661	Cabinet
2	314105422181	Rear cover
3	242226400404	Loudspeaker 8Ω 6W
4	314105000251	Wordmark Philips
5	not applicable	
6	313912040732	CRT fixation screw
7	313912421802	Degaussing coil bracket
8	313912823391	Degaussing coil 29" (multi volt)
9	313912425601	Light guide
10	314105763011	Mains knob
11	314105763091	Control knob
12	31222404623	Mains cord relief
13	313912425893	Chassis guide (VO)
13	313912425884	Chassis guide (HB)
	930181140314	Picture tube 29" A68ESF004X111

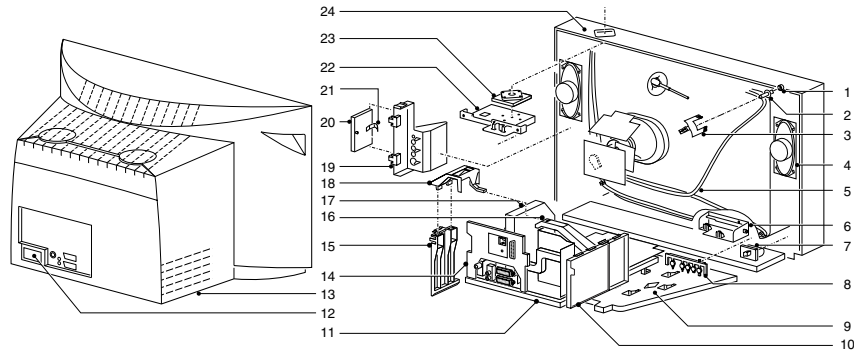
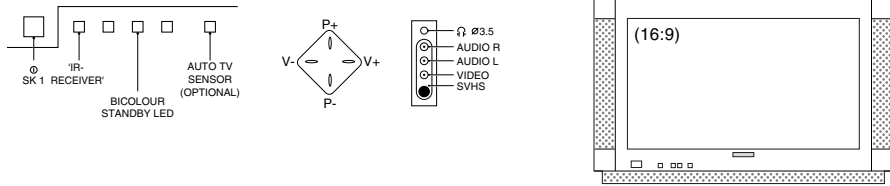
STYLING 394



STYLING 394.eps
180902

1	3111 257 58311	Cabinet (metallic anthracite)
2	3139 124 36852	Rear cover
3	4822 240 10368	Speaker 16Ω 5W
4	3139 124 33751	Side AV bracket (mono)
5	4822 463 11126	Chassis guide (HB) left
6	3111 250 00051	Wordmark
7	3111 254 23481	Coil EHT clamp
8	4822 502 14071	CRT fixing screw
9	4822 404 30945	Degaussing coil bracket
10	2422 549 44669	Degaussing coil
11	4822 380 10281	Light guide
12	4822 410 12512	Mains knob
13	3139 124 41601	Control knob
14	4822 463 11125	Chassis guide (VO) right
	3111 257 55071	Mains cord
	4822 131 11105	Picture tube 21" A51EAL155X47

STYLING 395

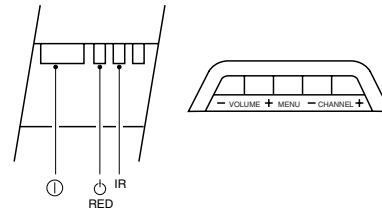


STYLING 395.EPS
100702

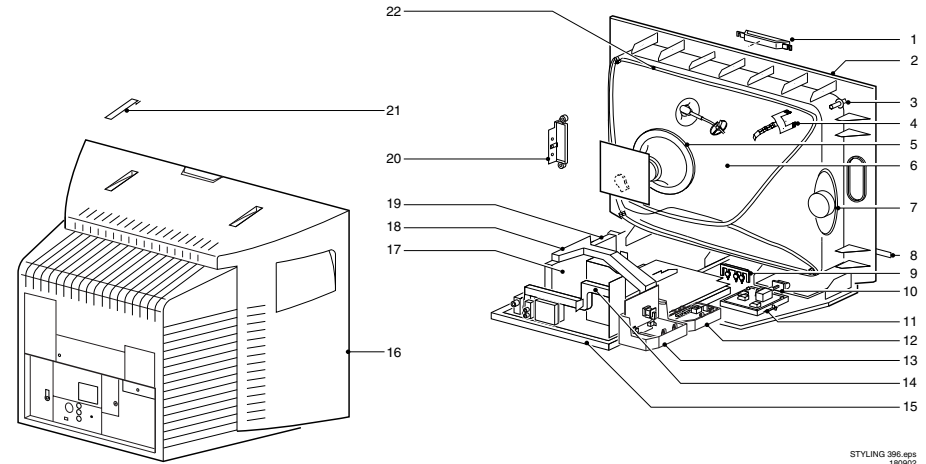
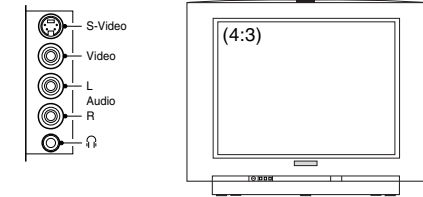
1	3104 308 74023	CRT insert	18	3104 304 24151	Bracket for SSB top support
2	4822 502 21359	CRT screw	19+20+21	3104 328 20921	Side I/O assy
3	4822 404 31289	Bracket fix degaussing coil	19	3104 304 24041	Bracket for Side I/O panel
4	3104 308 78281	Loudspeaker	20	3104 304 25271	Door Side I/O
5	3104 308 20401	Degaussing coil	21	3104 301 23972	Metal spring for door
6	3104 304 21856	Bracket mains unit	22+23	3104 328 09732	Top control assy
7	3104 307 96232	Mains knob	22	3104 304 19794	Top Control bracket
8	3104 304 21871	Light guide	23	3104 304 22561	Top Control keypad
9	3104 304 22012	Bottom plate	24	3104 328 21633	Cabinet assy
10	3104 304 23041	Bracket for DAF/DC-shift panel		3104 300 11991	Wordmark
11	3104 304 23003	Bracket for LSP		9301 895 00306	Picture tube
12	3104 304 22312	Service connector cover		3128 138 60661	Rotation coil
13	3104 307 99111	Rear cover assy		2422 070 98132	Mains cord -/79
14	3104 304 24581	Coverplate 2x2fH		4822 402 11183	Mains cord holder
15	3104 304 24141	Bracket for Auto-Scavem panel		3104 300 20181	Adapter EURO to Cinch/S-VHS for -/57, /69, /79
16	3104 304 24131	LOT support bracket		3104 300 20191	Adapter EURO to 3 x Cinch for -/57, /69, /79
17	3104 301 24191	Shielding frame SSB (A-side)		3128 147 13991	Remote control
17	3104 301 24201	Shielding frame SSB (Z-side)			
17	3104 301 24211	Shielding cover SSB (A-side)			
17	3104 301 24221	Shielding cover SSB (Z-side)			

STYLING 396

FRONT + TOP CONTROL



SIDE I/O

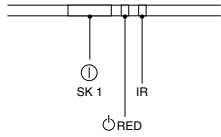


STYLING 396.ass
190502

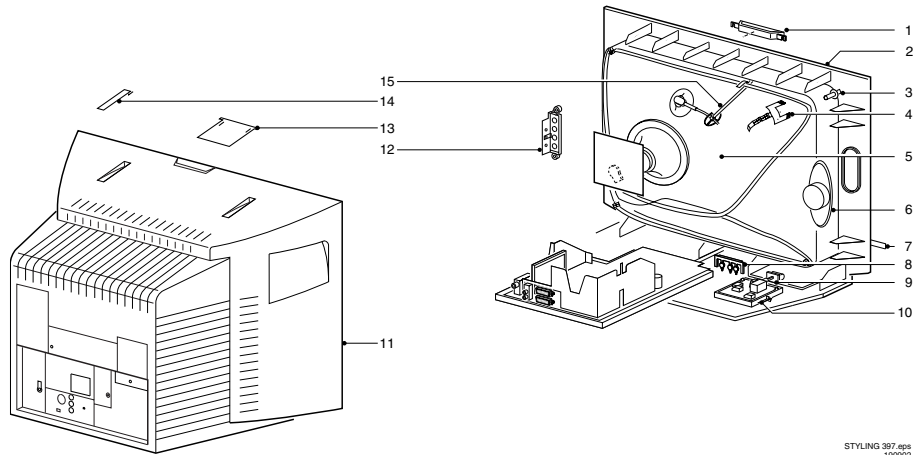
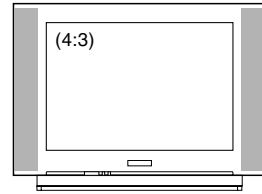
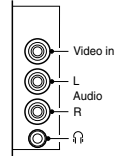
1	3139 177 22201	Top Control assy	14	Not applicable	Connector support bracket
1a	3139 124 39171	Top Control panel bracket	15	3104 304 21297	Bracket LSP
1b	3139 124 40591	Top Control knobs	16	3139 138 13721	Rear cover
2	3139 138 13731	Cabinet assy	17	3104 301 23951	SSB shielding (top)
3	4822 505 11195	Picture tube screw	18	3104 304 21111	Support bracket LOT/SSB
4	3104 304 14411	Bracket fix deg. coil (4x)	19	3104 301 23961	SSB shielding (bottom)
5	Not applicable	Rotation coil	20	3139 177 27191	Side I/O assy
6	9301 831 70304	CRT	20a	3139 124 31652	Side I/O bracket
7	3139 128 76581	Loudspeaker (Left/Right)	21	3139 124 42231	Screw cap rear cover
8	4822 454 13455	Wordmark	22	3104 308 20381	Degaussing coil
9	3139 124 39211	Light guide		4822 321 11499	Mains cord
10	3139 138 10681	Mainsknob assy		4822 404 31291	Mains cord holder
11	3139 124 32523	Mains Switch panel bracket		3128 147 13341	Remote Control
12	3139 124 35291	Mains Harmonic panel bracket		3104 304 24111	RC19042002 SSB snap
13	3104 304 23951	Bracket DAF/DC-shift panel		29PT8716/12	

STYLING 397

FRONT + TOP CONTROL



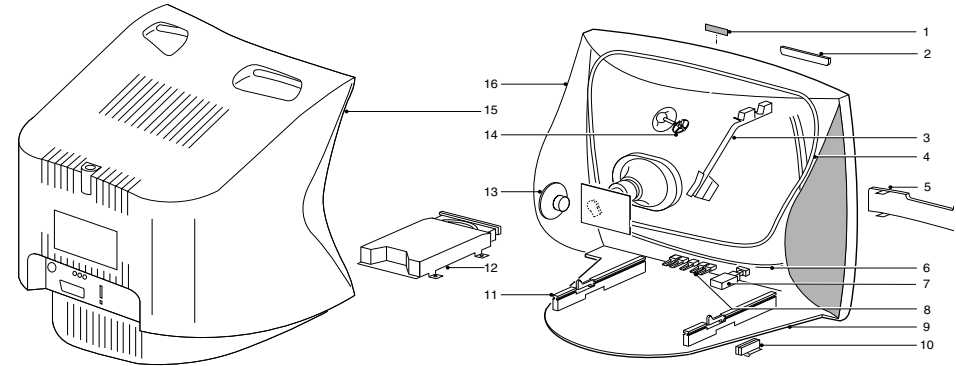
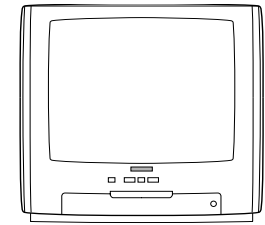
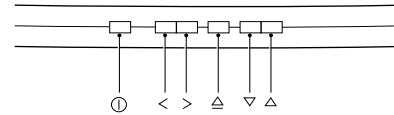
SIDE I/O



STYLING 397.eps
190902

1	3139 124 39181	Top control knob
1	3139 124 39171	Top control bracket
2	3139 138 13611	Cabinet 21"
3	4822 505 11195	CRT screw
4	4822 492 71627	Degaussing coil bracket
5	9301 906 40521	Picture tube 21" A51QDJ279X77(S)
6	2422 264 00444	Loudspeaker 8Ω 10W
7	3139 120 01371	Wordmark Philips
8	3139 124 41421	Light guide
9	3139 138 10681	Mains knob
10	3139 124 30431	Front interface bracket
11	3139 124 40391	Rear cover
12	3139 124 41141	Side AV bracket
13	3139 124 39161	VO plate for rear cover
14	3139 124 42891	Screw cap for rear cover
15	Not applicable	
16	3139 124 40331	Chassis guide (HB)
16	4822 463 11226	Chassis guide (VO)
	4822 157 11444	Degaussing coil 21"
	3139 128 75230	Mains cord AUS/NZ

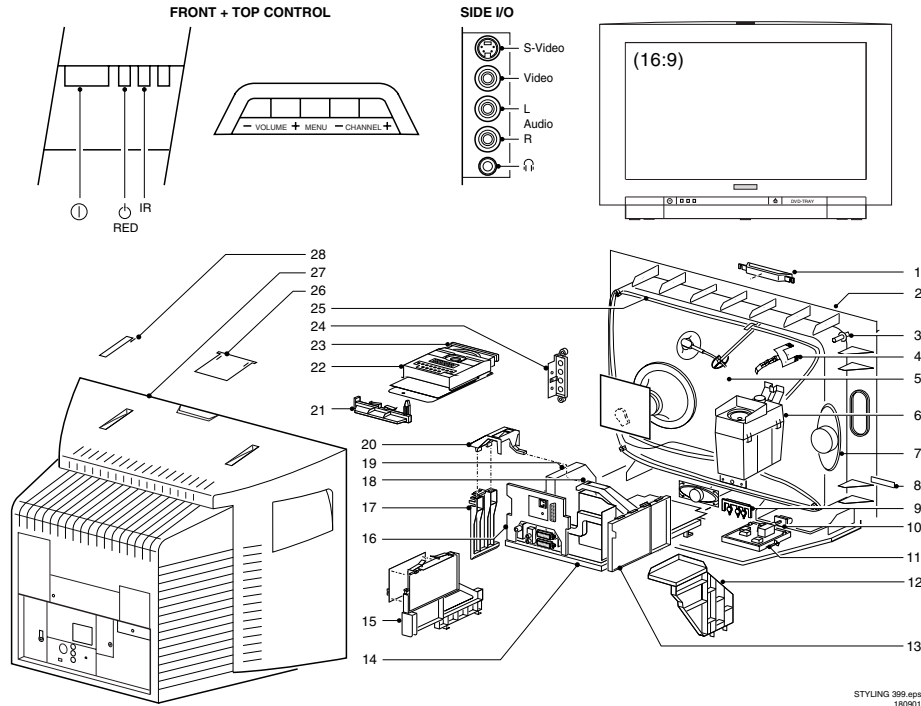
STYLING 398



Styling 398.eps
120801

1	0134 660 61850	Wordmark Philips
2	0050 040 20170	Cover DVD
3	Not applicable	
4	6085 800 03580	Degaussing coil
5	9054 610 03800	Transparent window
6	Not applicable	
7	9051 182 02600	Mains knob
8	0051 070 00200	Control button
9	9051 001 42810	Cabinet
10	9051 100 02820	Chassis rail left
11	9051 100 02810	Chassis rail right
12	3990 000 02201	DVS Combo loader DSL-760
13	6103 081 70001	Loudspeaker 8ΩR 5W
15	9051 040 20130	Rear cover
	0025 285 54011	Mains cord
	0703 621 10151	Picture tube A33EKC02X01
	0676 000 02181	Antenna rod

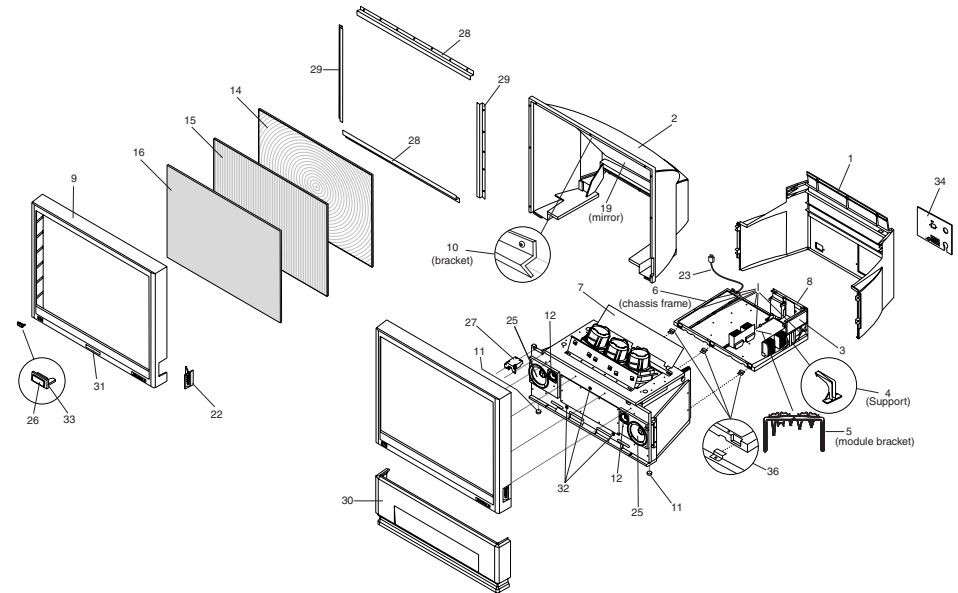
STYLING 399



STYLING 399.aps
180901

1	3139 177 28321	Top control assy	20	3104 304 24151	SSB top support bracket
1a	3139 138 18011	Top Control panel bracket	21	3139 124 41411	DVD lock plate
1b	3139 138 18021	Top Control knobs	22	3104 328 20651	DVD engine (complete module)
2	3104 328 20621	Cabinet assy	23a	3139 177 50151	DVD door cover
3	3111 307 40031	CRT screw	23b	3139 177 50161	DVD eject knob
4	4822 404 31289	Bracket fix deg. coil short (2x)	24	3139 177 25701	Side I/O assy
4	3104 304 14411	Bracket fix deg. coil long (2x)	24a	3139 124 31651	Side I/O panel bracket
5	9301 880 70314	CRT	25	2422 549 44244	Degaussing coil
6	3104 308 78271	Subwoofer assy	26	3139 124 39161	V0 plate rear cover
7	3139 128 76571	Loudspeaker (Left/Right)	27	3104 307 99521	Rear cover assy
			28	3139 124 40421	Screw cap rear cover
8	4822 454 13455	Wordmark		3128 138 60661	Rotation coil
9	3139 124 39211	Light guide		4822 321 11499	Mains cord
10	3139 138 10681	Mains knob assy		4822 402 11183	Mains cord holder
11	3139 124 32521	Mains Switch panel bracket		3128 147 14162	Remote control RC19042005
12	3139 124 41331	Subwoofer support bracket		3139 128 76581	Loudspeaker (centre)
13	3104 304 23041	DAF/DC-shift panel bracket			
14	3104 304 23001	LSP bracket		32PW8887/12	
15	3139 124 33573	DVD-interface panel bracket			
16	3104 304 21331	Coverplate 3rd SCART/wireless			
17	3104 304 24141	SSB bottom support bracket			
18	3104 304 24131	LOT support bracket			
19a	3104 301 24191	Shielding frame SSB (A-side)			
19b	3104 301 24201	Shielding frame SSB (Z-side)			
19c	3104 301 24211	Shielding cover SSB (A-side)			
19d	3104 301 24221	Shielding cover SSB (Z-side)			

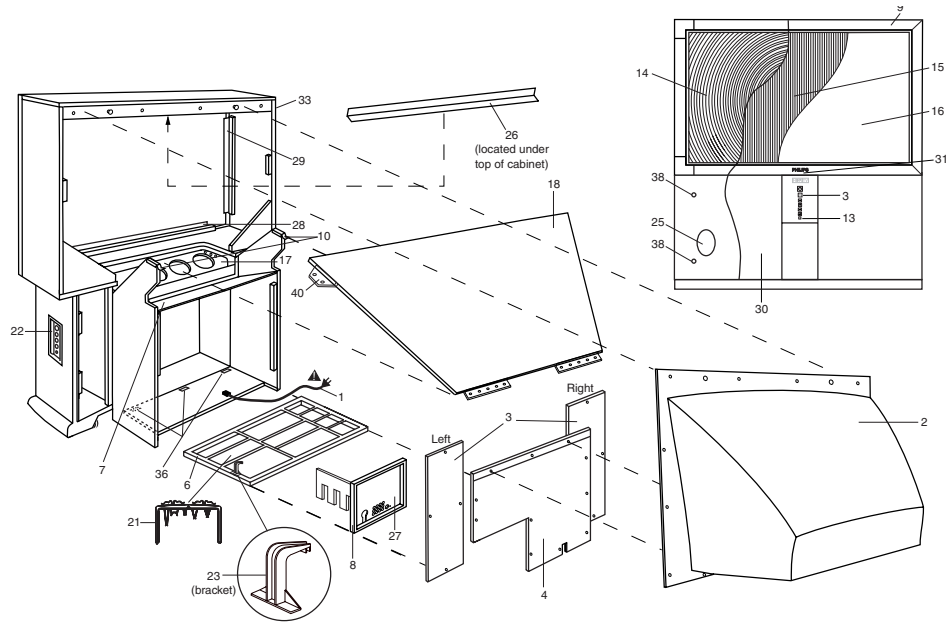
STYLING 400



STYLING 400.aps
120901

1	3135 034 01381	Back cover	23b*	2422 070 98163	Mains cord EU
2	3135 037 51751	Back upper assembly	24		
3ac*	3135 014 10062	Pip frame	25	2422 264 00453	Loudspeaker woofer
4	3135 014 10321	SSB support bracket	26	3135 037 50981	Button
5	3135 034 01022	Module bracket	26d*	3135 037 52061	Button
6	3135 034 01991	Chassis frame	27	3135 014 10361	Housing vacation switch
7	3135 013 03732	Rear barrier	28bc*	3135 034 00941	Screen top and bottom bracket
8	3135 034 02011	Rear jack frame tuner	28ad*	3135 011 04481	Screen top and bottom bracket
9abc*	3135 037 51241	Front assy	29bc*	3135 034 00951	Screen side bracket
9d*	3135 037 51931	Front assy	29ad*	3135 011 04491	Screen side bracket
10	3135 011 04611	Mirror mounting bracket	30	3135 037 70881	Grill assy (Baffle assy)
11	3135 010 09741	Foot	30d*	3135 037 71331	Grill assy (Baffle assy)
12	2422 264 00452	Loudspeaker tweeter	31	3135 120 01172	Wordmark
13			32	3135 013 02761	Baffle mounting cup
14	3135 033 20171	Fresnel lens	33	3135 037 71061	Vacation switch button assy
15	3135 033 20141	Lenticular lens	34	3135 030 00161	Label overlay rear jack panel
16c*	3135 034 00931	Protection screen	35		
17			36	3135 011 02011	Chassis mounting bracket
18					
19	3135 034 90081	Mirror 2nd surface	*a	43PP8420/57	
20			*b	43PP8420/69	
21			*c	43PP8320/93	
22a*	3135 037 51951	Side jack assy	*d	43PP8420/93	
22b*	3135 037 51121	Side jack assy			
23a*	2422 070 98157	Mains cord UK			

STYLING 401



STYLING-401 ass
120901

1ac*	2422 070 98163	Mains cord EUR	24		
1b*	2422 070 98155	Mains cord AUS/NZ	25	2422 264 00453	Loudspeaker woofer
2	3135 037 70991	Back upper cabinet	26		
3	3135 033 00381	Cabinet backcover end	27	3135 030 00161	Label rear jack
4	3135 033 00321	Cabinet backcover center	28	3135 034 01781	Retainer screen horizontal
5	3135 037 50971	Front control housing	29	3135 034 01791	Retainer screen vertical
6	3135 034 01991	Chassis frame	30	3135 037 70891	Baffle speaker grill (Baffle assy)
7	3135 013 03721	Center barrier for UL	31	3135 050 00151	Wordmark
8	3135 034 02011	Frame rear jack for tuner	32	2422 264 00452	Loudspeaker tweeter
9ac*	3135 037 70921	Frame assy	33	3135 037 50692	Cabinet assy
9b*	3135 037 71401	Frame assy	34		
10	3135 011 04751	Mirror bracket	35		
11	3135 014 10421	Button	36		
12			37		
13	3135 014 10231	IR receiver LED	38	3135 013 02761	Baffle mounting cup
			39		
14	3135 033 20201	Fresnel lens	40	3135 031 20191	Mirror bracket
15	3135 033 20081	Lenticular lens			
16	3135 034 00922	Protector screen HDR		3135 034 00911	Cabinet foot
17				3135 014 10062	PIP frame
18	3135 037 50791	Mirror board assy		3135 014 10361	Housing vacation switch
19			*a	55PP8620/69	
20			*b	55PP8620/79	
21			*c	55PP8620/93	
22	3135 035 50731	Side jack panel assy			
23					

