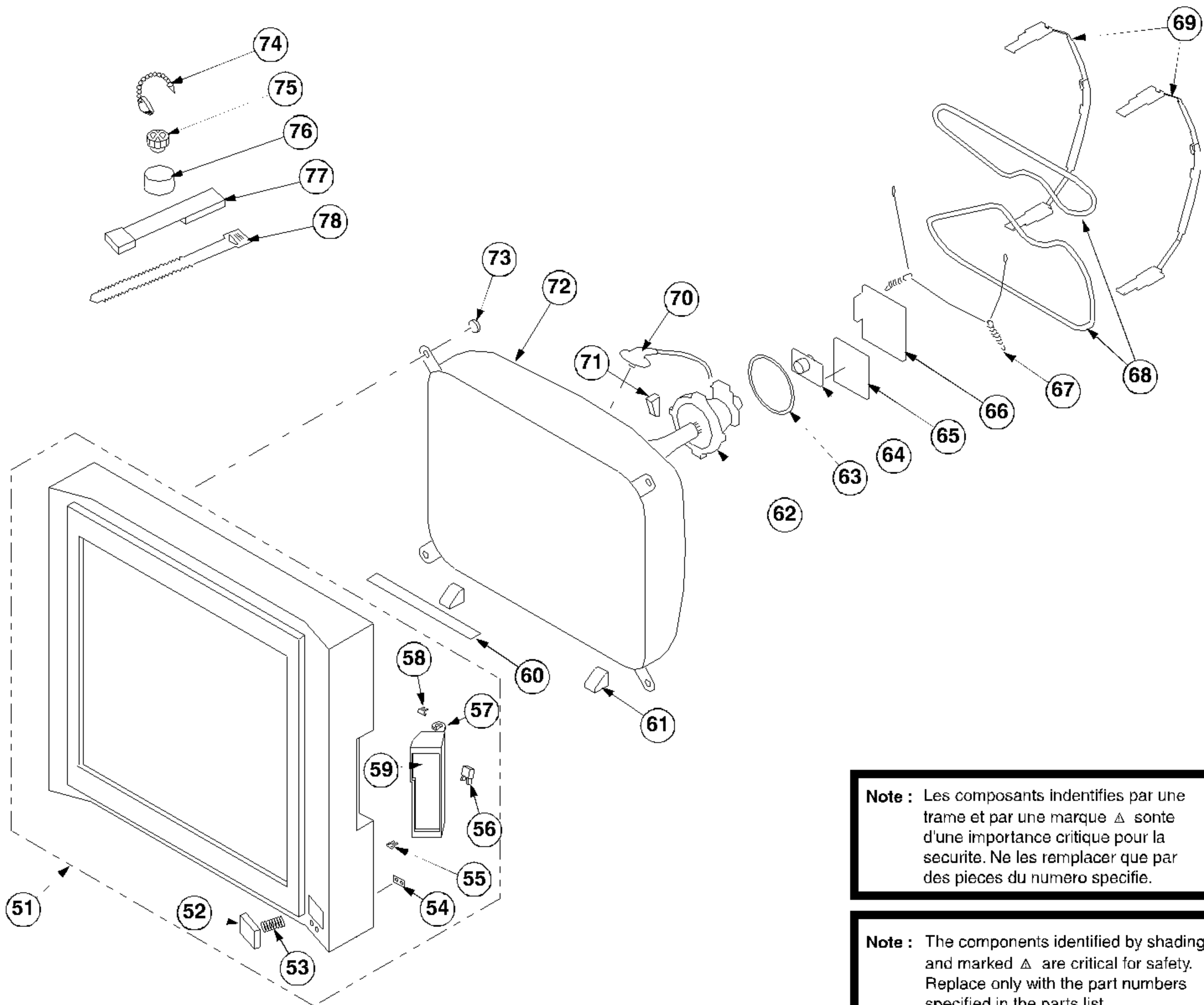


### 6-4. PICTURE TUBE KV-32FX65B/32FX65E/32FX65K



REF. NO.	PART.NO	DESCRIPTION	REMARK	REF. NO.	PART.NO	DESCRIPTION	REMARK
51	X-4200-640-1	BEZNET ASSY	52-59	65	*A-1644-108-A	VM BOARD, COMPLETE	
52	4-205-720-01	POWER BUTTON		66	*A-1638-139-A	C BOARD, COMPLETE	
53	4-204-426-01	SPRING		67	4-369-318-21	SPRING, TENSION	
54	4-205-726-01	GUIDE, LIGHT		68	Δ 1-416-769-11	COIL, DEMAGNETIC	
55	3-022-410-01	DAMPER		69	*4-204-768-01	HOLDER, DGC (29")	
56	4-047-464-01	CATCHER, PUSH		70	Δ 1-251-317-63	CAP ASSY, HIGH-VOLTAGE	
57	4-205-723-01	DOOR BRACKET		71	3-704-495-01	SPACER, DY	
58	4-205-725-01	DOOR SPRING		72	Δ 8-735-054-05	PICTURE TUBE (W76LLZ060X)	
59	4-205-722-01	DOOR		73	4-046-765-12	SCREW, TAPPING 7+CROWN WASHER	
60	4-204-058-31	SHEET, BLOTTING		74	4-308-870-00	CLIP, LEAD WIRE	
61	*4-203-098-01	SUPPORTER, CRT		75	1-452-094-00	MAGNET, ROTATABLE DISK; 15MM	
62	Δ 1-451-480-11	DEFLECTION YOKE (Y32RVC2)		76	1-452-032-00	MAGNET, DISK; 10MM	
63	1-419-363-11	COIL, NA ROTATION		77	X-4387-214-1	PERMALLOY ASSY, CORRECTION	
64	Δ 8-453-011-11	NECK ASSY, (NA299-H)		78	3-701-007-00	BAND, BINDING	