

SECTION 6 EXPLODED VIEWS

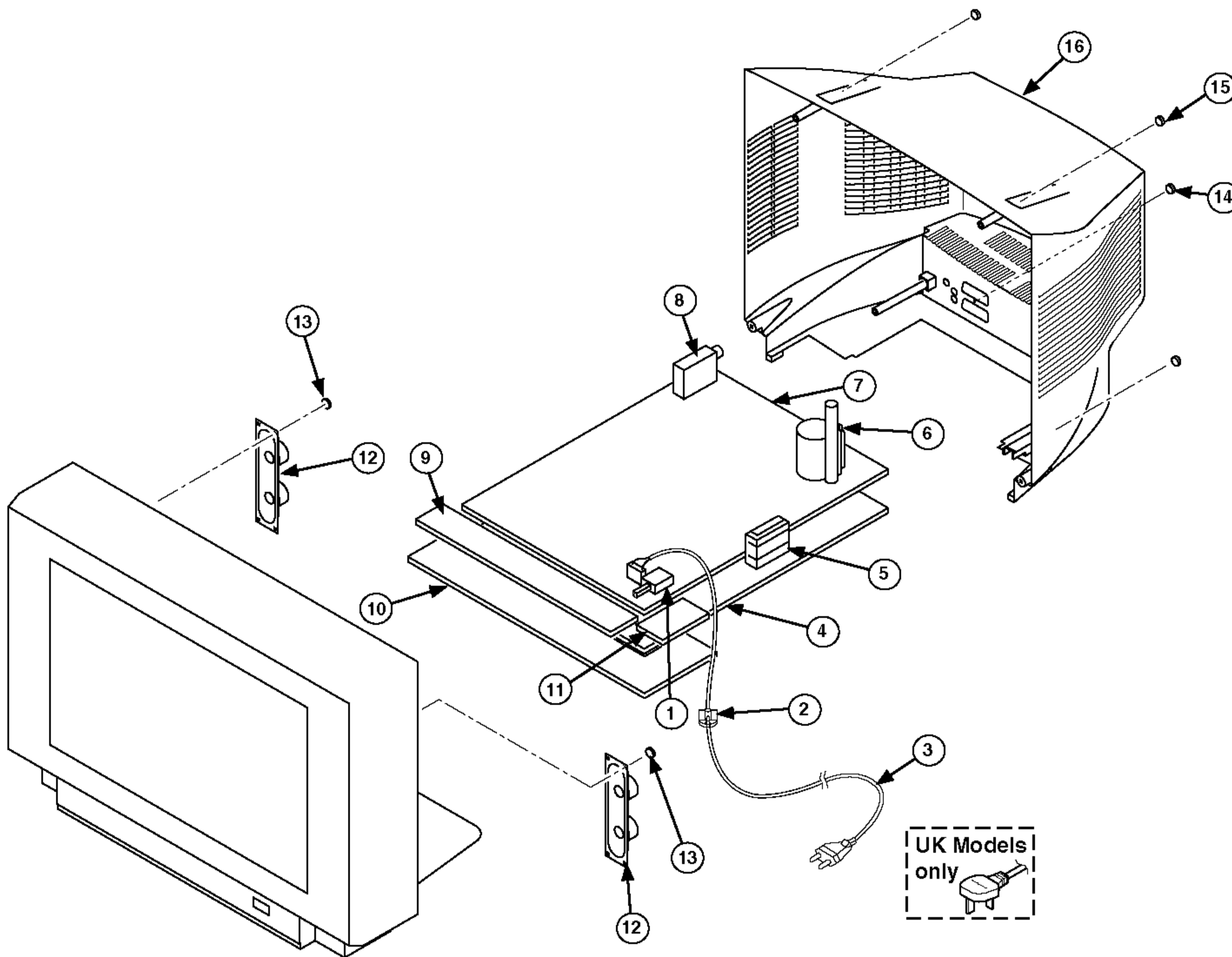
NOTE :

- Items with no part number and no description are not stocked because they are seldom required for routine service.
- The construction parts of an assembled part are indicated with a collation number in the remarks column.
- Items marked "*" are not stocked since they are seldom required for routine service. Some delay should be anticipated when ordering these items.

Note : Les composants indentifiés par une trame et par une marque Δ sont d'une importance critique pour la securite. Ne les remplacer que par des pieces du numero specifie.

Note : The components identified by shading and marked Δ are critical for safety. Replace only with the part numbers specified in the parts list.

6-1. CHASSIS



REF.NO.	PART.NO	DESCRIPTION	REMARK	REF.NO.	PART.NO	DESCRIPTION	REMARK
1	Δ 1-571-433-31	SWITCH, PUSH (AC POWER)		8	8-598-535-10	FRONTEND (BTF-EF411) (KV-25FX30B/29FX30B)	
2	*4-202-531-01	AC CORD LOCK (SC)			8-598-533-00	FRONTEND (BTF-EC411) (KV-25FX30E/25FX30K KV-29FX30E/29FX30K)	
3	Δ 1-783-083-11	CORD POWER (WITH FILTER)		9	*A-1646-240-A	H1 BOARD, COMPLETE	
4	*4-204-773-04	BRACKET, MAIN		10	4-206-017-01	BRACKET F-H	
5	1-424-733-11	COIL, PFC CHOKE 65MMH		11	*A-1624-098-A	F1 BOARD, COMPLETE	
6	Δ 1-453-308-31	TRANSFORMER ASSY, FLYBACK (NX4521//Z2B4)		12	1-529-988-11	SPEAKER (4.2x24CM)	
7	*A-1632-937-A	A BOARD, COMPLETE (KV-25FX30B)		13	4-058-870-01	SCREW, (4x16) W (+) P TAPPING	
	*A-1632-924-A	A BOARD, COMPLETE (KV-25FX30E/25FX30K)		14	7-685-663-79	SCREW +BVTP 4x16 TYPE 2 IT-3	
	*A-1632-938-A	A BOARD, COMPLETE (KV-29FX30B)		15	7-685-663-71	SCREW +BVTP 4x16 TYPE 2 IT-3	
	*A-1632-923-A	A BOARD, COMPLETE (KV-29FX30E/29FX30K)		16	4-204-804-11	COVER, REAR (KV-25FX30)	
					4-204-772-11	COVER, REAR (KV-29FX30)	