

S/M No. : R63050S002

Service Manual

Microwave Oven

Model: KOR-6305S
KOR-8605S
KOR-8605N

DAEWOO



DAEWOO ELECTRONICS CO., LTD.

PRECAUTIONS TO BE OBSERVED BEFORE AND DURING SERVICING TO AVOID POSSIBLE EXPOSURE TO EXCESSIVE MICROWAVE ENERGY

- (a) Do not operate or allow the oven to be operated with the door open.
- (b) Make the following safety checks on all ovens to be serviced before activating the magnetron or other microwave source, and make repairs as necessary: (1) Interlock operation, (2) Proper door closing, (3) Seal and sealing surfaces (arcing, wear, and other damage), (4) Damage to or loosening of hinges and latches, (5) Evidence of dropping or abuse.
- (c) Before turning on power to the microwave oven for any service test or inspection within the microwave generating compartments, check the magnetron, wave guide or transmission line, and cavity for proper alignment, integrity, and connections.
- (d) Any defective or misadjusted components in the interlock, monitor, door seal, and microwave generation and transmission systems shall be repaired, replaced, or adjusted by procedures described in this manual before the oven is released to the owner.
- (e) A microwave leakage check to verify compliance with the Federal performance standard should be performed on each oven prior to release to the owner.

TABLE OF CONTENTS

SAFETY AND PRECAUTIONS	2
SPECIFICATIONS	3
EXTERNAL VIEW	4
1. OUTER DIMENSION	4
2. FEATURE DIAGRAM	5
INSTALLATION	6
OPERATIONS AND FUNCTIONS	7
DISASSEMBLY AND ASSEMBLY	8
INTERLOCK MECHANISM AND ADJUSTMENT	15
TROUBLE SHOOTING GUIDE	16
MEASUREMENT AND TEST	18
1. MEASUREMENT OF THE MICROWAVE POWER OUTPUT	18
2. MICROWAVE RADIATION TEST	19
3. COMPONENT TEST PROCEDURE	20
WIRING DIAGRAM	21
EXPLODED VIEW AND PARTS LIST	22

SAFETY AND PRECAUTIONS

1. FOR SAFE OPERATION

Damage that allows the microwave energy (that cooks or heats the food) to escape will result in poor cooking and may cause serious bodily injury to the operator.

IF ANY OF THE FOLLOWING CONDITIONS EXIST, OPERATOR MUST NOT USE THE APPLIANCE.

(Only a trained service personnel should make repairs.)

- 1) A broken door hinge.
- 2) A broken door viewing screen.
- 3) A broken front panel, oven cavity.
- 4) A loosened door lock.
- 5) A broken door lock.

The door gasket plate and oven cavity surface should be kept clean.

No grease, soil or spatter should be allowed to build up on these surfaces or inside the oven.

DO NOT ATTEMPT TO OPERATE THIS APPLIANCE WITH THE DOOR OPEN. The microwave oven has concealed switches to make sure the power is turned off when the door is opened. Do not attempt to defeat them.

DO NOT ATTEMPT TO SERVICE THIS APPLIANCE UNTIL YOU HAVE READ THIS SERVICE MANUAL.

2. FOR SAFE SERVICE PROCEDURES

1. If the oven is operative prior to servicing, a microwave emission check should be performed prior to servicing the oven.
2. If any certified oven unit is found to servicing, a microwave emission check should be performed prior to servicing the oven.
 - (a) inform the manufacturer, importer or assembler,
 - (b) repair the unit at no cost to the owner,
 - (c) attempt to ascertain the cause of the excessive leakage,
 - (d) tell the owner of the unit not to use the unit until the oven has been brought into compliance.
3. If the oven operates with the door open, the service person should tell the user not to operate the oven and contact the manufacturer immediately.

IMPORTANT

The wire in this mains lead coloured in accordance with the following code.

Green-and-yellow	: Earth
Blue	: Neutral
Brown	: Live

As the colours of the wires in the mains lead of this appliance may not correspond with the coloured markings identifying the terminals in your plug, proceed as follows.

The wire which is coloured green-and-yellow must be connected to the terminal in the plug which is marked with the letter 'E' or by earth symbol or green-and-yellow.

The wire which is coloured blue must be connected to the terminal which is marked with the letter 'N' or coloured black.

The wire which is coloured brown must be connected to the terminal which is marked with the letter 'L' or coloured red.

NOTE

This oven is designed for counter-top use only.

SPECIFICATIONS

KOR-6305

MODEL	KOR-63050S	
POWER SUPPLY	230V,50Hz, SINGLE PHASE WITH EARTHING	
POWER CONSUMPTION	MICROWAVE	1200W
	GRILL	
	COMBINATION	
MICROWAVE ENERGY OUTPUT	800W	
MICROWAVE FREQUENCY	2450MHz	
OUTSIDE DIMENSIONS (W X H X D)	465 x 279 x 360 mm (18.3 x 11.0 x 14.2 in.)	
CAVITY DIMENSIONS (W X H X D)	290 x 220 x 306 mm (11.4 x 8.7 x 12.0 in.)	
NET WEIGHT	APPROX. 13 Kg (28.7 lbs.)	
TIMER	35 min. DUAL SPEED	
FUNCTION SELECTIONS	MICROWAVE	
POWER SELECTIONS	5 LEVELS	
CAVITY VOLUME	0.7 Cu.Ft.	

KOR-8605

MODEL	KOR-86050S	KOR-86050N
POWER SUPPLY	230V,50Hz(86050S)/220V,50Hz(86050N), SINGLE PHASE WITH EARTHING	
POWER CONSUMPTION	MICROWAVE	1350W
	GRILL	
	COMBINATION	
MICROWAVE ENERGY OUTPUT	900W	
MICROWAVE FREQUENCY	2450MHz	
OUTSIDE DIMENSIONS (W X H X D)	495 x 294 x 388 mm (19.5 x 11.6 x 15.3 in.)	
CAVITY DIMENSIONS (W X H X D)	320 x 244 x 338 mm (12.6 x 9.6 x 13.3 in.)	
NET WEIGHT	APPROX. 15 Kg (33.1 lbs.)	
TIMER	35 min. DUAL SPEED	
FUNCTION SELECTIONS	MICROWAVE	
POWER SELECTIONS	5 LEVELS	
CAVITY VOLUME	0.9 Cu.Ft.	

* Specifications are subject to change without notice.

EXTERNAL VIEW

1. OUTER DIMENSION

KOR-6305

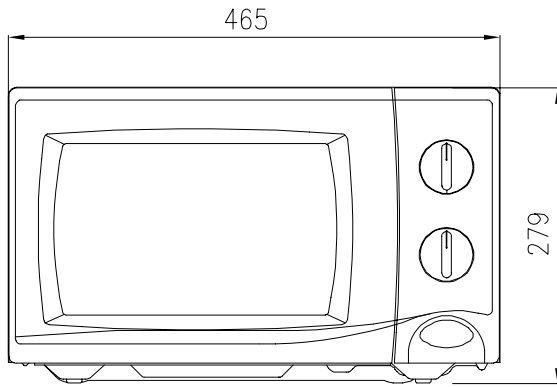


Fig.1 Front view

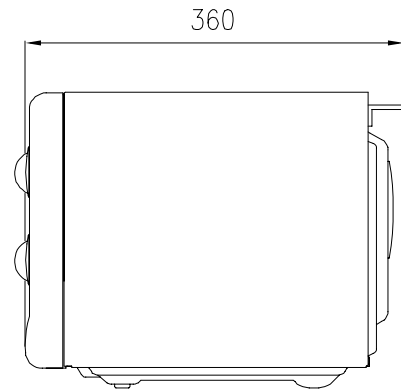


Fig.2 Side view

KOR-8605

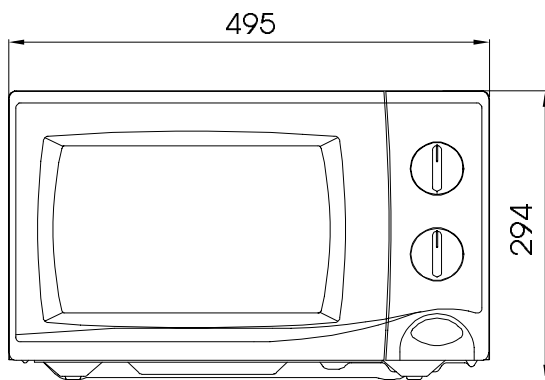


Fig.1 Front view

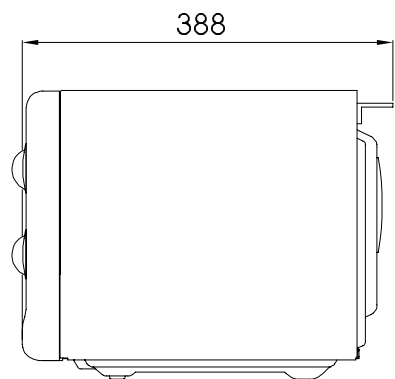
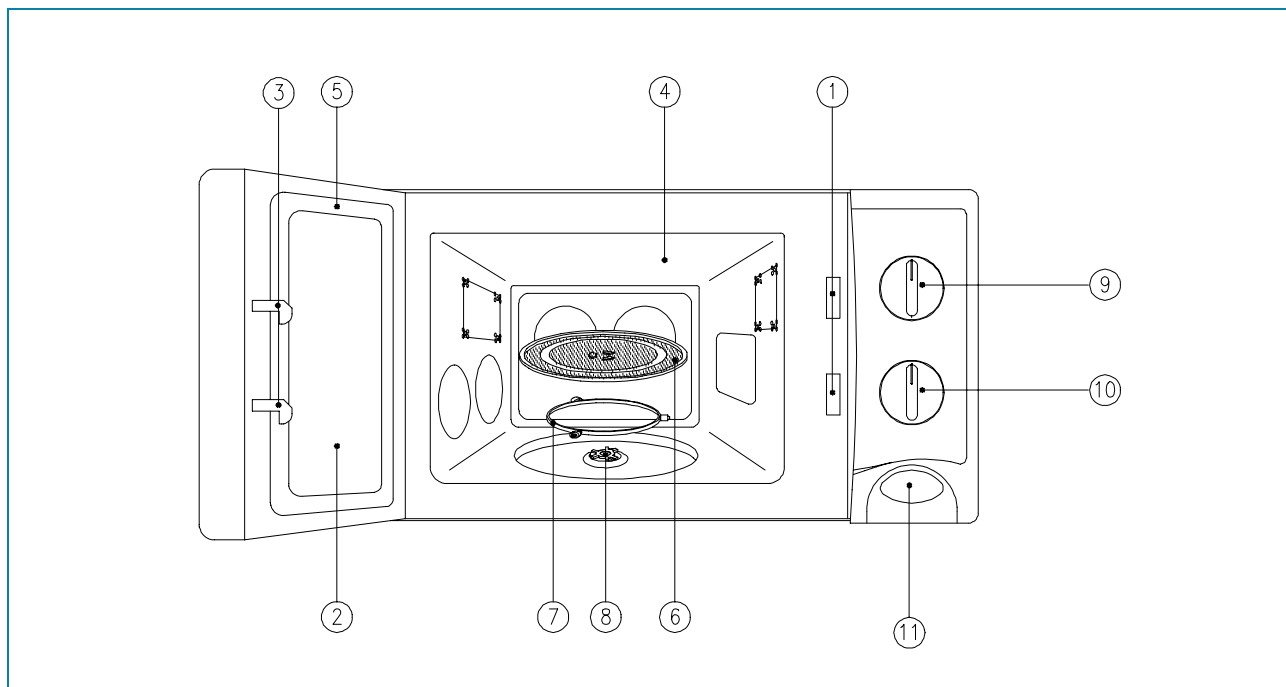


Fig.2 Side view

2. FEATURE DIAGRAM



1. Safety interlock system

2. **Door viewing screen** - Allows viewing of food. The screen is designed so that light can pass through, but not the microwave.

3. **Door hook** - When the door is closed, it will automatically shut. If the door is opened while the oven is operating, the magnetron will immediately stop operating.

4. Oven cavity

5. **Door seal** - Door seal maintains the microwave energy within the oven cavity and prevents microwave leakage.

6. **Glass cooking tray** - Made of special heat resistant glass. Food in a proper receptacle is placed on this tray for cooking.

7. **Roller guide** - This must always be used for cooking together with the glass cooking tray.

8. **Coupler** - This fits over the shaft in the center of the ovens cavity floor. This is to remain in the oven for all cooking.

9. **Knob V.P.C** - Used to select a microwave power level.

10. **Knob timer** - Used in setting cooking time for all functions.

11. **Door release button** - By pushing this button the latch system cut off all circuits and stops the oven before the door is opened

INSTALLATION

1. Steady, flat location

This microwave oven should be set on a steady, flat surface.

This microwave oven is designed for counter top use only.

2. Leave space behind and side

All air vents should be kept a clearance. If all vents are covered during operation, the oven may overheat and, eventually, cause failure.

3. Away from radio and TV sets

Poor television reception and radio interference may result if the oven is located close to a TV, radio, antenna or feeder and so on. Position the oven as far from them as possible.

4. Away from heating appliances and water taps

Keep the oven away from hot air, steam or splash when choosing a place to position it, or the insulation might be adversely affected and breakdowns occur.

5. Power supply

- Check your local power source.

This microwave oven requires a current of approximately 6amperes, 230 Volts, 50 Hz / 220Volts, 50Hz (KOR-8650N).

- Power supply cord is about 0.8 meters long.

- The voltage used must be the same as specified on this oven. Using a higher voltage may result in a fire or other accident causing oven damage. Using low voltage will cause slow cooking. We are not responsible for damage resulting from use of this oven with a voltage of ampere fuse other than those specified.

- This appliance is supplied with cable of special type, which, if damaged, must be repaired with cable of same type.

Such a cable can be purchased from DAEWOO and must be installed by a Qualified Person.

6. Examine the oven after unpacking for any damage such as:

A misaligned door, broken door or a dent in cavity.

If any of the above are visible, DO NOT INSTALL, and notify dealer immediately.

7. Do not operate the oven if it is colder than room temperature

(This may occur during delivery in cold weather.) Allow the oven to become room temperature before operating.

EARTHING INSTRUCTIONS

This appliance must be earthed. In the event of an electrical short circuit, earthing reduces the risk of the electric shock by providing an escape wire for the electric current. This appliance is equipped with a cord having a earthing wire with a earthing plug. The plug must be plugged into an outlet that is properly installed and earthed.

WARNING

Improper use of the earthing plug can result in a risk of electric shock. Consult a qualified electrician or serviceman if the earthing instructions are not completely understood, or if doubt exists as to whether the appliance is properly earthed, and either : If it is necessary to use an extension cord, use only a 3-wire extension cord that has a 3-blade earthing plug, and a 3-slot receptacle that will accept the plug on the appliance. The marked rating of the extension cord should be equal to or greater than the electrical rating of the appliance, or Do not use an extension cord.

OPERATIONS AND FUNCTIONS

1. Connect the main lead to an electrical outlet.
2. After placing the food in a suitable container, open the oven door and put it on the glass tray. The glass tray must always be in place during cooking.
3. Close the door securely.
4. Choose cooking power level by setting V.P.C knob to the desired position. Refer to cookbook for recommended power levels.
5. Determine cooking time.

Consult cookbook for recipe timing.
Oven light turns on and cooling fan starts to operate.
Microwave cooking starts.
6. You may open the door while the oven is operating.

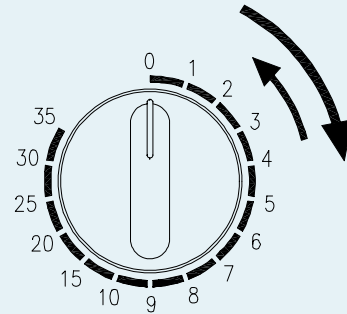
As soon as the door is opened, the safety mechanisms stop the generation of microwave power and the operation of cooking timer.

If you wish to change the time during cooking, simply adjust the timer to the desired time.
7. When the timer reaches zero, a bell will ring and the unit will turn off.

Oven light turns off. If additional cooking time is needed and the door is closed, the oven will automatically start when the timer is reset.

NOTE

1. When setting timer for less than 2 minutes, turn the timer past 2 minutes and then return to the correct timer setting.



2. Various clicking noises may be heard when turning V.P.C knob. This is normal and does not affect the operation of your microwave oven.

Make sure the oven is properly installed and plugged into the electrical outlet.

Variable power cooking

On and OFF cycle time of mechanical V.P.C switch is 30 seconds.

When the V.P.C knob is set to the desired position and timer knob turns to the desired position, the V.P.C switch has a cycle (ON/OFF time(sec.)) listed below.

※ 6305/8605

Variable power setting	ON/OFF time (sec.)	Approximate Percentage of Power
MAX (HIGH)	30/0	100 %
610W / 700W (MED HIGH)	23.2/6.8	77 %
440W / 500W (MEDIUM)	16.5/13.5	55 %
260W / 290W (DEFROST)	9.8/20.2	33 %
130W / 150W (WARM)	5/25	17 %

DISASSEMBLY AND ASSEMBLY

Cautions to be observed when trouble shooting

Unlike many other appliances, the microwave oven is high-voltage, high-current equipment. It is completely safe during normal operation. However, carelessness in servicing the oven can result in an electric shock or possible danger from a short circuit. You are asked to observe the following precautions carefully.

1. Always remove the power plug from the outlet before servicing.
2. Use an insulated screwdriver and wear rubber gloves when servicing the high voltage side.
3. Discharge the high voltage capacitor before touching any oven components or wiring.

(1) Check the earthed.

Do not operate on a two-wire extension cord.

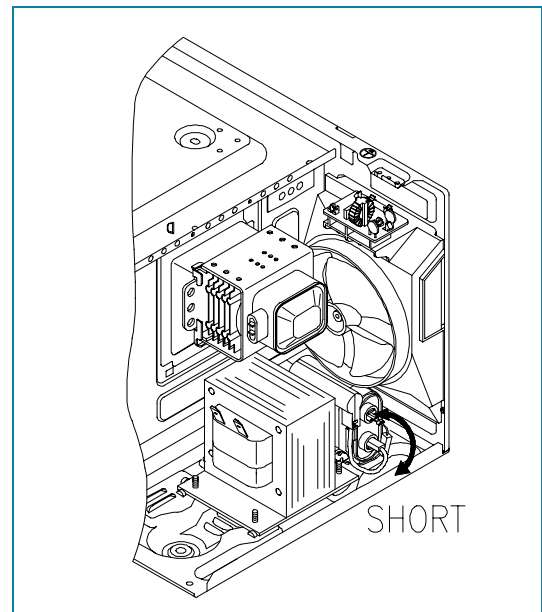
The microwave oven is designed to be used with earthed.

It is imperative, therefore, to make sure it is earthed properly before beginning repair work.

(2) Warning about the electric charge in the high voltage capacitor.

For about 30 seconds after the operation stopped and electric charge remains in the high voltage capacitor. When replacing or checking parts, short between oven chassis and the negative high terminal of the high voltage capacitor, by using a properly insulated screwdriver to discharge.

4. When the 12A fuse is blown out due to the operation of the monitor switch; replace primary interlock switch, secondary interlock switch and interlock monitor switch.
5. After repair or replacement of parts, make sure that the screws are properly tightened, and all electrical connections are tightened.
6. Do not operate without cabinet.



CAUTION

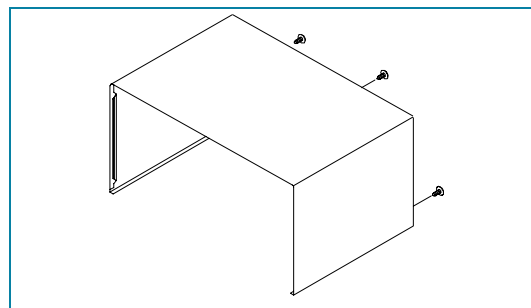
Service personnel should remove their watches whenever working close to or replacing the magnetron.

WARNING

When servicing the appliance, need a care of touching or replacing high potential parts because of electrical shock or exposing microwave. These parts are as follows - HV Transformer, Magnetron, HV Capacitor, HV Diode, HV Fuse.

1. To remove cabinet

- (1) Remove three screws on cabinet back.
- (2) Push the cabinet backward.

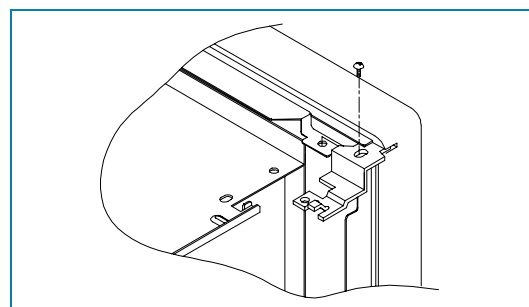


2. To remove door assembly

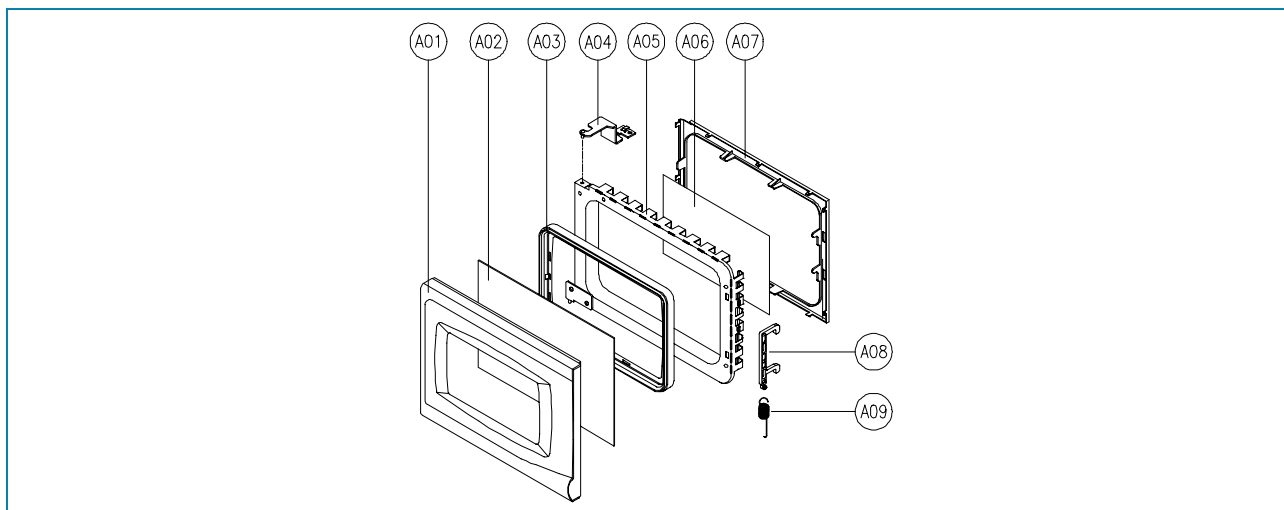
- (1) Remove a screw which secure the stopper hinge top.
- (2) Remove the door assembly from top plate of cavity.
- (3) Reverse the above for assembly.

NOTE

After replacing the door assembly, perform a check of correct alignment with the hinge and cavity front plate.



3. To remove door parts



KOR-6305

REF.NO	PART CODE	PART NAME	DESCRIPTION	Q'TY	REMARK
A01	3512203810	FRAME DOOR	ABS XR-401 H-2938	1	
A02	3517003050	BARRIER-SCREEN*O	ACRYL	1	
A03	3515304610	SUPPORTER BARR-S*O	PP	1	
A04	3515204100	STOPPER HINGE *T AS	KOR-63150S	1	
A05	3511705500	DOOR WELD AS	KOR-61150S	1	
A06	3517002800	BARRIER-SCREEN *I	POLYESTER T0.1	1	
A07	3512300200	GASKET DOOR	PP	1	
A08	3513100700	HOOK	POM	1	
A09	3515101300	SPRING HOOK	PW1	1	

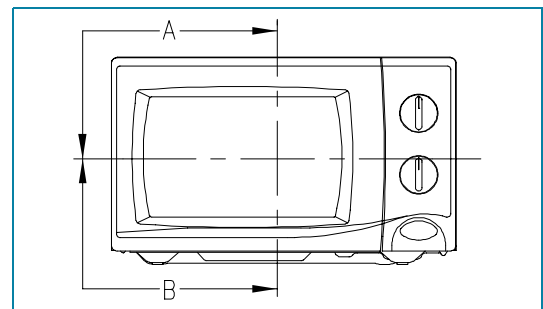
KOR-8605

REF.NO	PART CODE	PART NAME	DESCRIPTION	Q'TY	REMARK
A01	3512204110	FRAME DOOR	ABS XR-401 H-2938	1	
A02	3517003150	BARRIER-SCREEN*O	ACRYL T1.5	1	
A03	3515304410	SUPPORTER BARR-S*O	PP	1	
A04	3515204100	STOPPER HINGE *T AS	KOR-63150S	1	
A05	3511705620	DOOR WELD AS	KOR-81250S	1	
A06	3517002900	BARRIER-SCREEN *I	POLYESTER T0.1	1	
A07	3512300400	GASKET DOOR	PP	1	
A08	3513100700	HOOK	POM	1	
A09	3515101300	SPRING HOOK	PW1	1	

- (1) Remove the gasket door from door weld as.
- (2) Remove the barrier screen inner from door weld as.
- (3) Remove the door frame from door weld as.
- (4) Remove the stopper hinge top from door weld as.
- (5) Remove the spring and the hook.
- (6) Remove the supporter barrier screen outer from door frame.
- (7) Remove the barrier screen outer from door frame.
- (8) Reverse the above steps for reassembly.

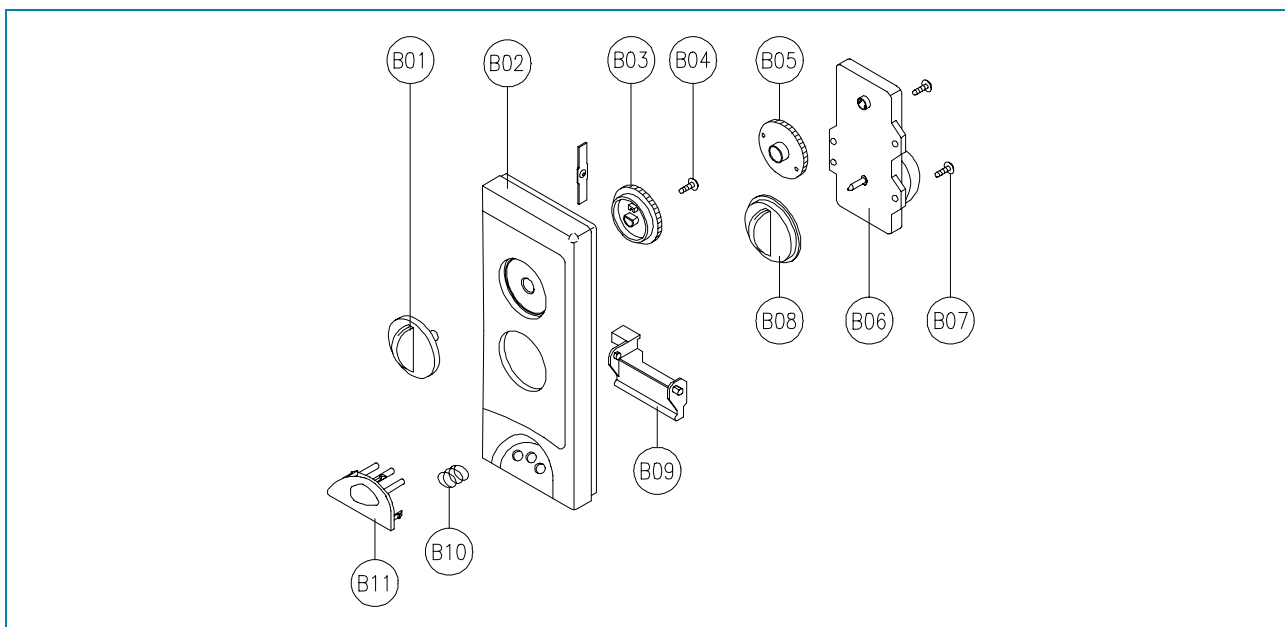
4. Method to reduce the gap between the door seal and the oven front surface

- (1) To reduce gap located on part 'A'.
 - Loosen a screw on stopper hinge top, and then push the door to contact the door seal to oven front surface.
 - Tighten a screw.
- (2) To reduce gap located on part 'B'.
 - Loosen two screws on stopper hinge under, and then push the door to contact the door seal to oven front surface.
 - Tighten two screws.

**NOTE**

A small gap may be acceptable if the microwave leakage does not exceed $4\text{mW}/\text{cm}^2$.

5. To remove control panel parts



KOR-6305

REF.NO	PART CODE	PART NAME	DESCRIPTION	Q'TY	REMARK
B01	3513405510	KNOB VPC	ABS XR-401 H-2938	1	
B02	3516719010	CONTROL-PANEL	ABS XR-401 H-2938	1	
B03	3517400500	COUPLER VPC KNOB	POM	1	
B04	7122401211	SCREW TAPPING	T2S TRS 4x12 MFZN	1	
B05	3517400400	COUPLER TIMER	POM	1	
B06	3518203800	TIMER	KN35MKD 24E-P	1	
B07	7122401211	SCREW TAPPING	T2S TRS 4x12 MFZN	2	
B08	3513405410	KNOB	ABS XR-401 H-2938	1	
B09	3513702710	LEVER DOOR OPEN	ABS XR-401 H-2938	1	
B10	441G430171	SPRING BUTTON	SWP DIA 0.7	1	
B11	3516906910	BUTTON DOOR OPEN	ABS XR-401 H-2938	1	

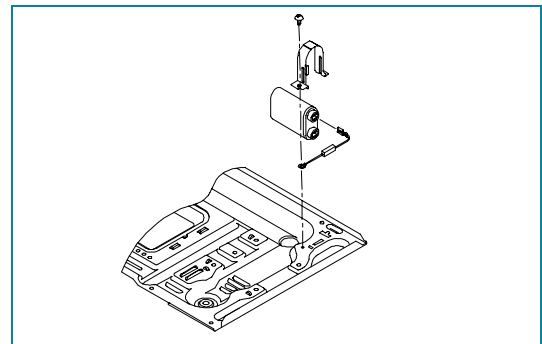
KOR-8605

REF.NO	PART CODE	PART NAME	DESCRIPTION	Q'TY	REMARK
B01	3513405510	KNOB VPC	ABS XR-401 H-2938	1	
B02	3516719310	CONTROL-PANEL	ABS XR-401 H-2938	1	
B03	3517400500	COUPLER VPC KNOB	POM	1	
B04	7122401211	SCREW TAPPING	T2S TRS 4x12 MFZN	1	
B05	3517400400	COUPLER TIMER	POM	1	
B06	3518203800	TIMER	KN35MKD 24E-P	1	
B07	7122401211	SCREW TAPPING	T2S TRS 4x12 MFZN	2	
B08	3513405410	KNOB	ABS XR-401 H-2938	1	
B09	3513702710	LEVER DOOR OPEN	ABS XR-401 H-2938	1	
B10	441G430171	SPRING BUTTON	SWP DIA 0.7	1	
B11	3516906910	BUTTON DOOR OPEN	ABS XR-401 H-2938	1	

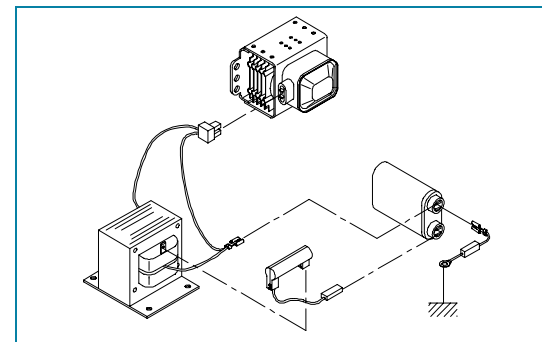
- (1) Remove the screw which secure the control panel, push up two snap fits and draw forward the control panel assembly.
- (2) Remove the door open lever from the control panel.
- (3) Remove two screws which secure the timer assembly.
- (4) Remove the timer assembly.
- (5) Pull out the timer knob from the timer.
- (6) Pull out the timer coupler from the timer.
- (7) Remove the screw which secure the V.P.C coupler.
- (8) Pull out the V.P.C coupler, V.P.C knob and flat spring from the control panel.
- (9) Remove the door open button and button spring from the control panel.
- (10) Reverse the above steps for reassembly.

6. To remove high voltage capacitor

- (1) Remove a screw which secure the grounding ring terminal of the H.V.diode and the capacitor holder.
- (2) Remove the H.V. diode from the capacitor holder.
- (3) Reverse the above steps for reassembly.

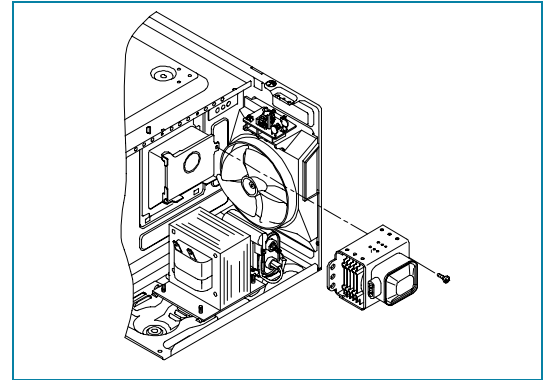


◆ High voltage circuit wiring



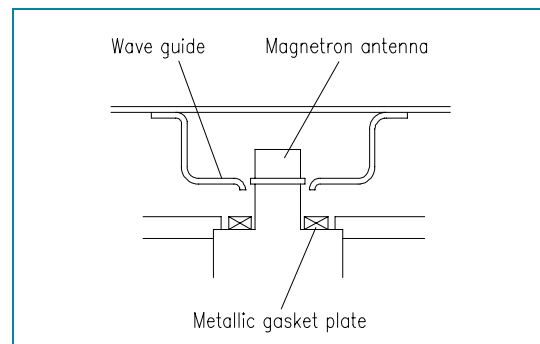
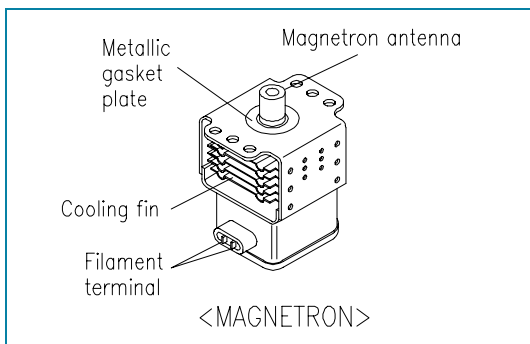
7. To remove magnetron

- (1) Remove a screw which secure the magnetron.
- (2) Remove the magnetron.
- (3) Reverse the above steps for reassembly.



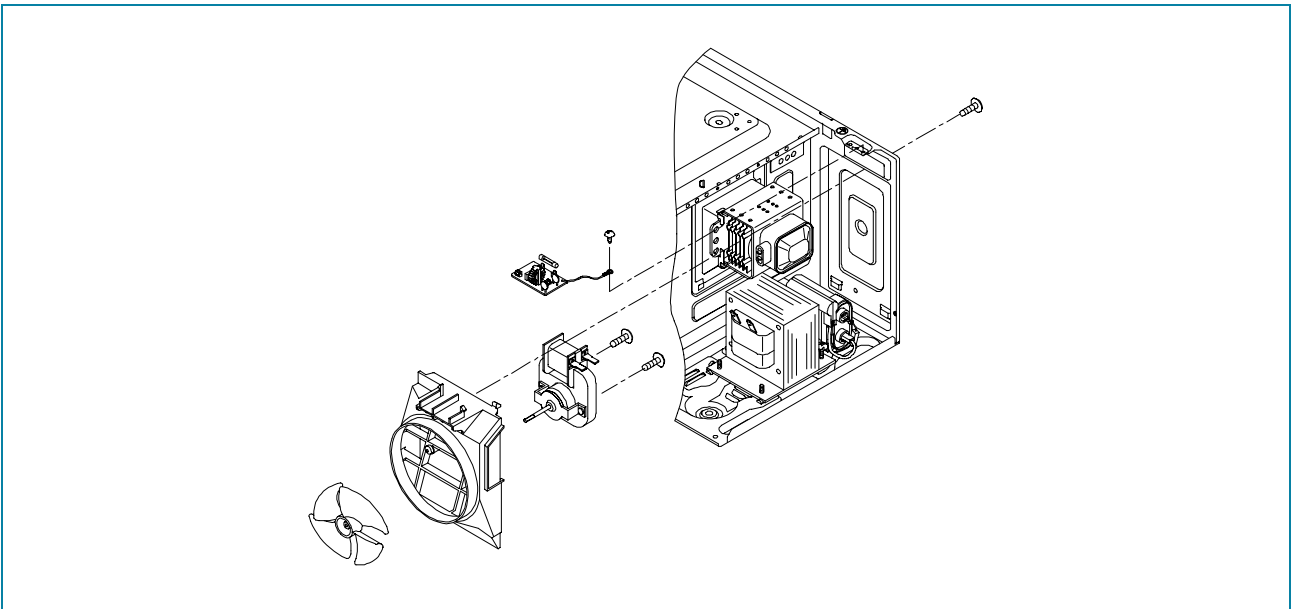
NOTE

Never install the magnetron without the metallic gasket plate which is packed with each magnetron to prevent microwave leakage. Whenever repair work is carried out on magnetron, check the microwave leakage. It shall not exceed $4\text{mW}/\text{cm}^2$ for a fully assembled oven with door normally closed.



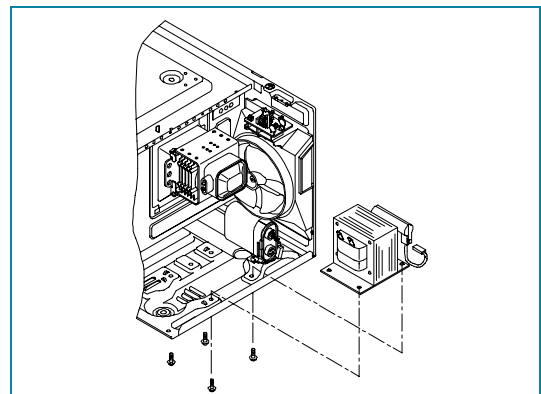
8. To remove wind guide assembly

- (1) Remove a screw for earthing.
- (2) Remove the noise filter from the wind guide.
- (3) Remove a screw which secure the wind guide assembly.
- (4) Draw forward the wind guide assembly.
- (5) Pull the fan from the motor shaft.
- (6) Remove two screws which secure the motor shaded pole.
- (7) Remove the motor shaded pole.
- (8) Reverse the above steps for reassembly.



9. To remove H.V.transformer

- (1) Remove four screws holding the H.V transformer.
- (2) Remove the H.V.transformer.
- (3) Reverse the above steps for reassembly.



INTERLOCK MECHANISM AND ADJUSTMENT

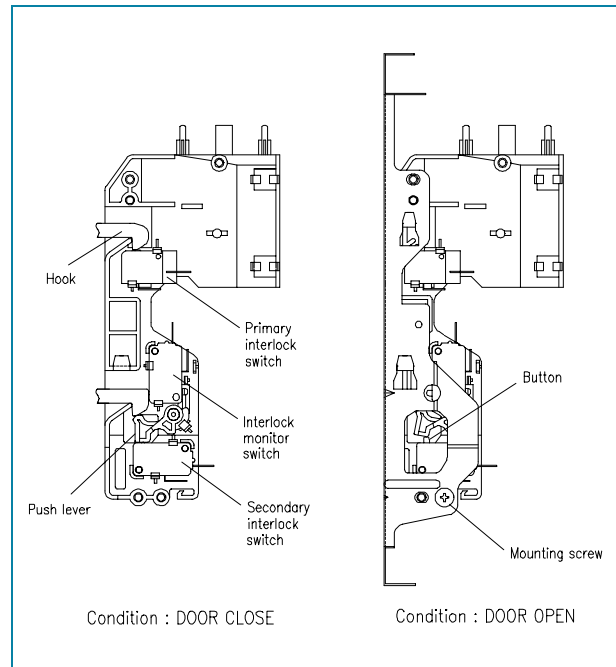
The door lock mechanism is a device which has been specially designed to completely eliminate microwave radiation when the door is opened during operation, and thus to perfectly prevent the danger resulting from the leakage of microwave.

1. Primary interlock switch

When the door is closed, the hook locks the oven door. If the door is not closed properly, the oven will not operate. When the door is closed, the hook pushes the button of the microswitch. Then the button of the primary interlock switch bring it under "ON" condition.

2. Secondary interlock switch and interlock monitor switch

When the door is closed, the hook pushes the lock lever downward. The lock lever presses the button of the interlock monitor switch to bring it under "OFF" condition and presses the button of the secondary interlock switch to bring it under "ON" condition.



ADJUSTMENT

Interlock monitor switch

When the door is closed, the interlock monitor switch should be opened before other switches are closed.
When the door is opened, the interlock monitor switch should be closed after other switches are opened.

3. Adjustment steps

- Loosen one mounting screw.
- Adjust interlock switch assembly position.
- Make sure that lock lever moves smoothly after adjustment is completed.
- Tighten completely one mounting screw.

NOTE

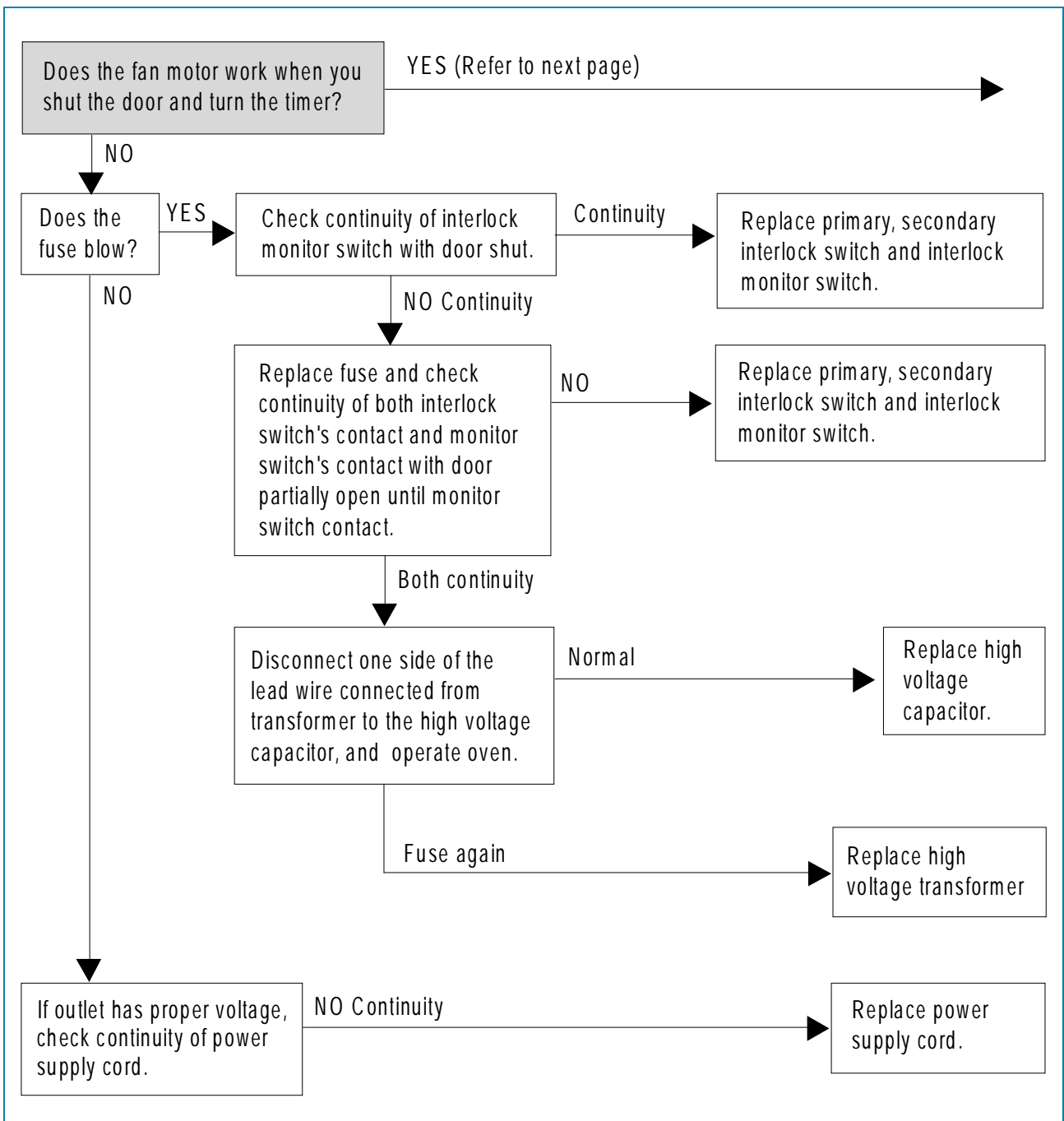
Microwave emission test should be performed after adjusting interlock mechanism.
If the microwave emission exceed $4\text{mW}/\text{cm}^2$, readjust interlock mechanism.

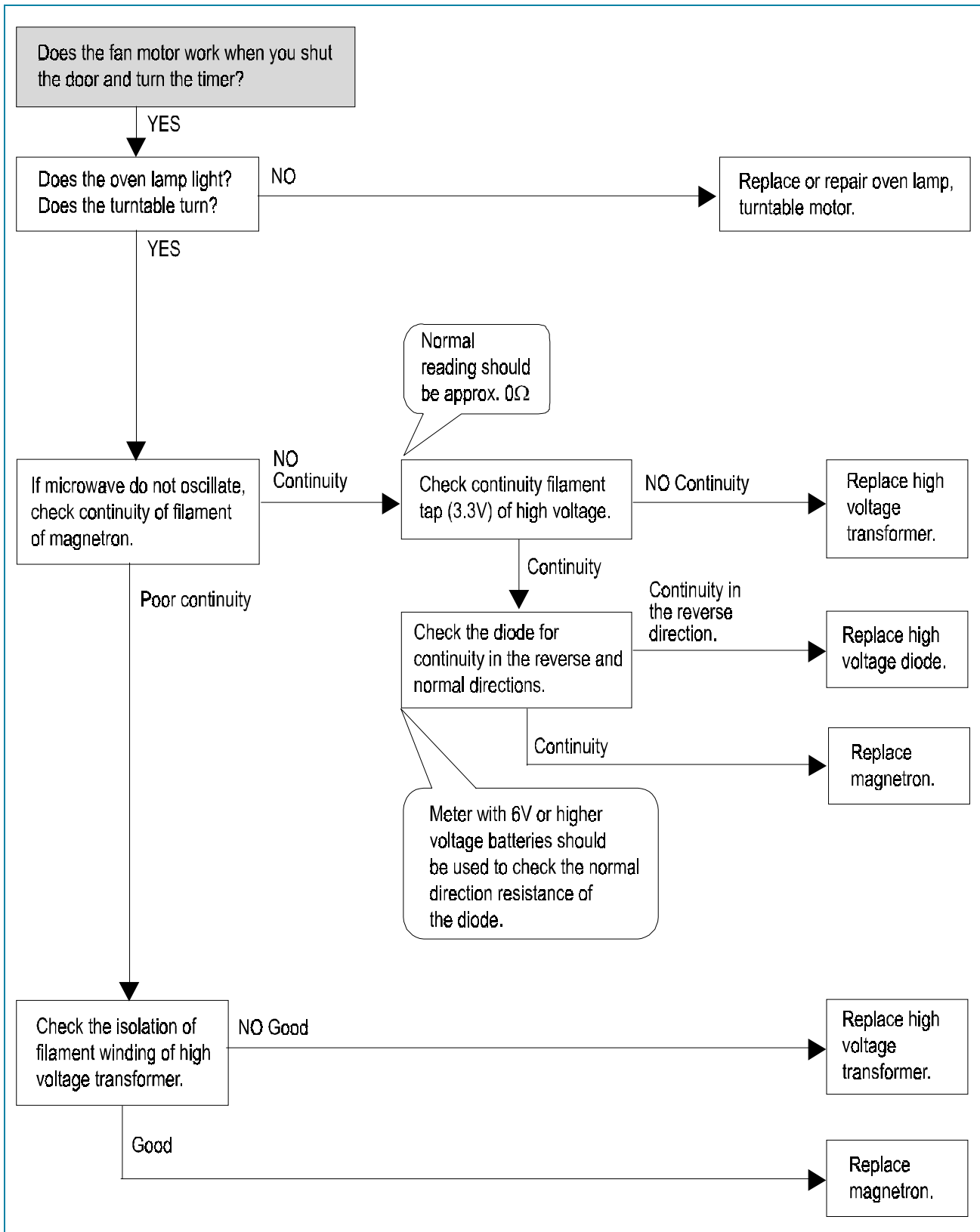
TROUBLE SHOOTING GUIDE

Following the procedures below to check if the oven is defective or not

1. Check grounding before checking trouble.
2. Be careful of the high voltage circuit.
3. Discharge the high voltage capacitor.
4. When checking the continuity of the switches, fuse or high voltage transformer, disconnect one lead wire from these parts and then check continuity with the AC plug removed. To do otherwise may result in a false reading or damage to your meter.

(TROUBLE 1) Door shut, timer set, but no cooking takes place.





MEASUREMENT AND TEST

1. MEASUREMENT OF THE MICROWAVE POWER OUTPUT

Microwave output power can be checked by indirectly measuring the temperature rise of a certain amount of water exposed to the microwave as directed below.

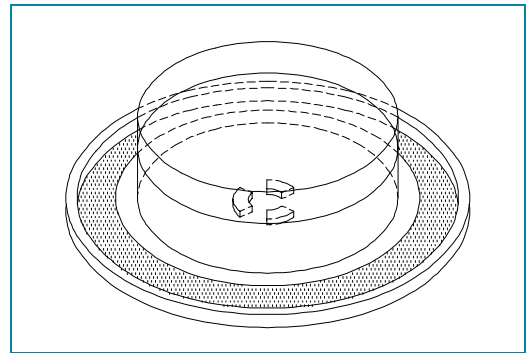
PROCEDURE

- Microwave power output measurement is made with the microwave oven supplied at rated voltage and operated at its maximum microwave power setting with a load of 1000 ± 5 cc of potable water.
- The water is contained in a cylindrical borosilicate glass vessel having a maximum material thickness of 3 mm and an outside diameter of approximately 190 mm.
- The oven and the empty vessel are at ambient temperature prior to the start of the test. The initial temperature of the water is 10 ± 2 °C (50 ± 3.6 °F). It is measured immediately before the water is added to the vessel. After addition of the water to the vessel, the load is immediately placed on the center of the shelf, which is in the lowest normal position.
- Microwave power is switched on.
- Heating time should be exactly **A** seconds (Refer to table as following). Heating time is measured while the microwave generator is operating at full power. The filament heat-up time for magnetron is not included.
- The initial and final temperature of water is selected so that the maximum difference between the ambient and final water temperature is 5K.
- The microwave power output **P** in watts is calculated from the following formula:

$$P = 4187 \times \Delta T/t$$

- ΔT is difference between initial and ending temperature.
- t is the heating time.

The power measured should be **B** (Refer to 2. SPECIFICATIONS) $W \pm 10.0$ %.



CAUTION

- Water load should be measured exactly to 1 liters.
- Input power voltage should be exactly specified voltage (Refer to 2. SPECIFICATIONS).
- Ambient temperature should be 20 ± 2 °C (68 ± 3.6 °F)

* Heating time for power output:

A (second)	70	64	60	56	52	49	47	44	42	40	38
B (W)	600	650	700	750	800	850	900	950	1000	1050	1100

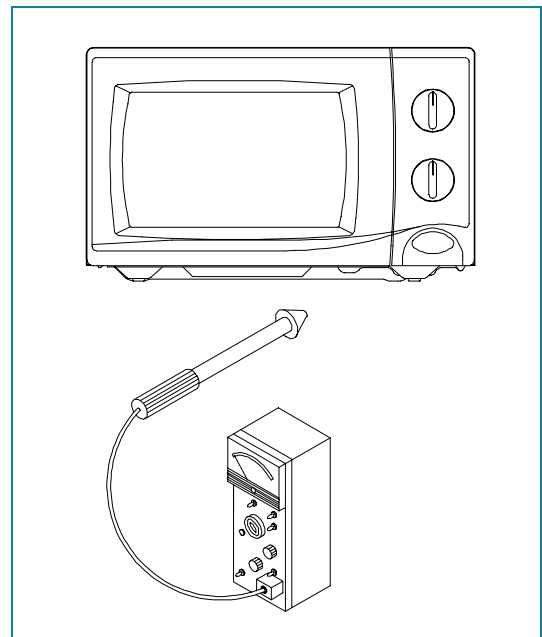
2. MICROWAVE RADIATION TEST

WARNING

- Make sure to check the microwave leakage before and after repair of adjustment.
- Always start measuring of an unknown field to assure safety for operating personnel from microwave energy.
- Do not place your hands into any suspected microwave radiation field unless the safe density level is known.
- Care should be taken not to place the eyes in direct line with the source of microwave energy.
- Slowly approach the unit under test until the radiometer reads an appreciable microwave leakage from the unit under the test.

PROCEDURE

1. Prepare Microwave Energy Survey Meter, 600cc glass beaker, and glass thermometer 100°C (212°F).
2. Pour 275cc ±15cc of tap water initially at 20 ± 5 °C (68 ± 9°F) in the 600 cc glass beaker with an inside diameter of approx. 95 mm(3.5 in.).
3. Place it at the center of the tray and set it in a cavity.
4. Close the door and operate the oven.
5. Measure the leakage by using Microwave Energy Survey Meter with dual ranges, set to 2450MHz.
 - (1) Measured radiation leakage must not exceed the value prescribed below. Leakage for a fully assembled oven with door normally closed must be less than 4mW/cm².
 - (2) When measuring the leakage, always use the 5 cm (2 in.) space cone with probe. Hold the probe perpendicular to the cabinet and door. Place the space cone of the probe on the door, cabinet, door seem, door viewing screen, the exhaust air vent sand the suction air vents.
 - (3) Measuring should be in a counter-clockwise direction at a rate of 1 in./sec. If the leakage of the cabinet door seem is unknown, move the probe more slowly.
 - (4) When measuring near a corner of the door, keep the probe perpendicular to the areas making sure the probe end at the base of the cone does not get closer than 2 in. from any metal. If it does not, erroneous reading may result.



3. COMPONENT TEST PROCEDURE

High voltage is present at the high voltage terminal of the high voltage transformer during any cooking cycle.

It is neither necessary nor advisable to attempt measurement of the high voltage.

Before touching any oven components or wiring, always unplug the oven from its power source and discharge the capacitor.

1. High voltage transformer

(1) Remove connections from the transformer terminals and check continuity.

(2) Normal readings should be as follows :

Secondary winding ... Approx. $110\Omega \pm 10\%$

Filament winding ... Approx. 0Ω

Primary winding ... Approx. 1Ω

2. High voltage capacitor

(1) Check continuity of capacitor with meter on the highest OHM scale.

(2) A normal capacitor will show continuity for a short time, and then indicate $10M\Omega$ once the capacitor charged.

(3) A shorted capacitor will show continuous continuity.

(4) An open capacitor will show constant $10M\Omega$.

(5) Resistance between each terminal and chassis should be infinite.

3. High voltage diode

(1) Isolate the diode from the circuit by disconnecting the leads.

(2) With the ohmmeter set on the highest resistance scale measure the resistance across the diode terminals. Reverse the meter leads and again observe the resistance reading. Meter with 6v, 9v or higher voltage batteries should be used to check the front-back resistance of the diode, otherwise an infinite resistance may be read in both directions. A normal diode's resistance will be infinite in one direction and several hundred $k\Omega$ in the other direction.

4. Magnetron

For complete magnetron diagnosis, refer to "Measurement of the Microwave Output Power." Continuity checks can only indicate an open filament or a shorted magnetron.

To diagnose for an open filament or a shorted magnetron,

(1) Isolate magnetron from the circuit by disconnecting the leads.

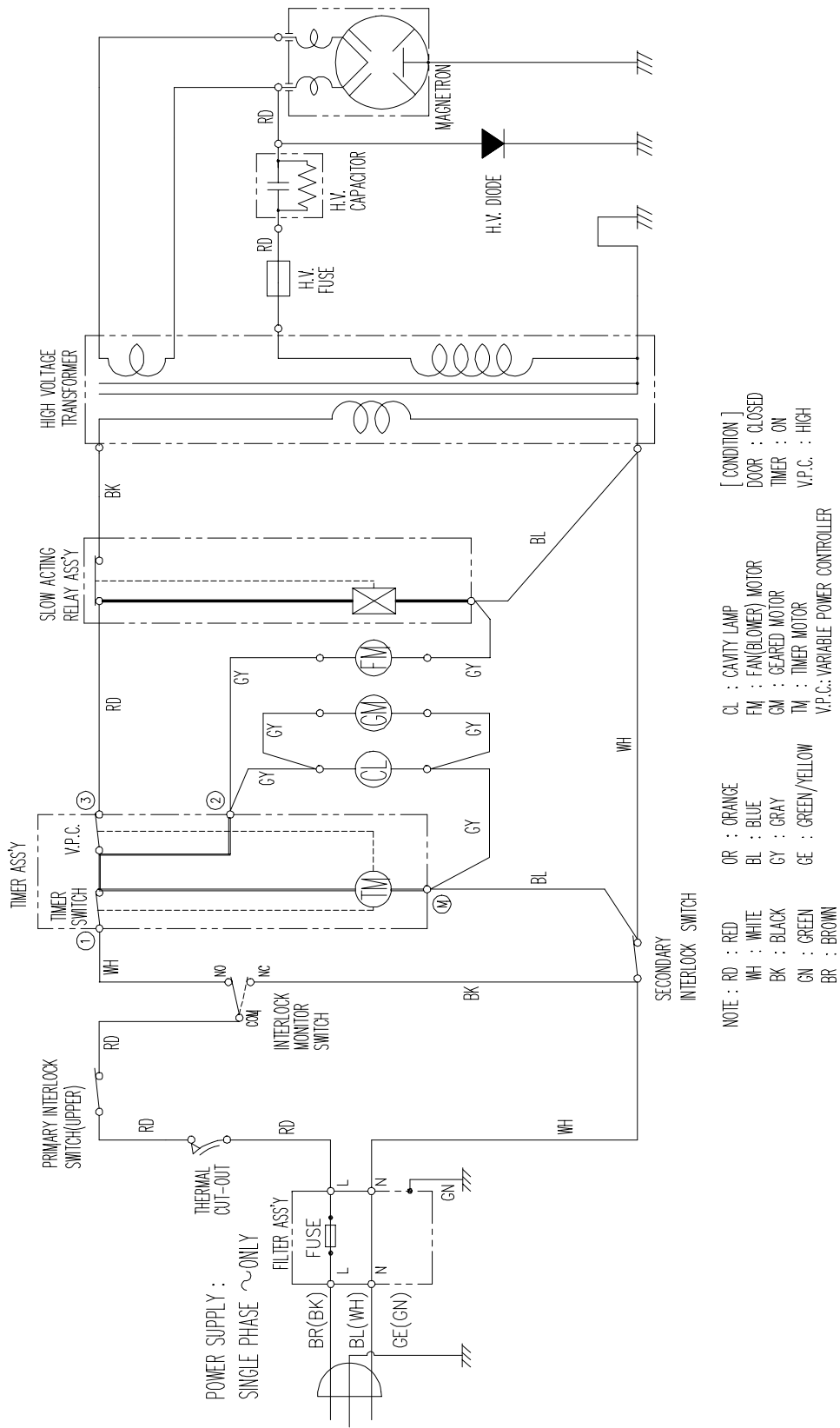
(2) A continuity check across magnetron filament terminals should indicate 0.1Ω or less.

(3) A continuity check between each filament terminal and magnetron case should read open.

5. Fuse

If the fuse in the primary and monitor switch circuit is blown when the door is opened, check the primary and monitor switch before replacing the blown fuse. In case the fuse is blown by an improper switch operation, replace the defective switch and fuse at the same time. Replace just the fuse if the switches operate normally.

WIRING DIAGRAM



EXPLODED VIEW AND PARTS LIST

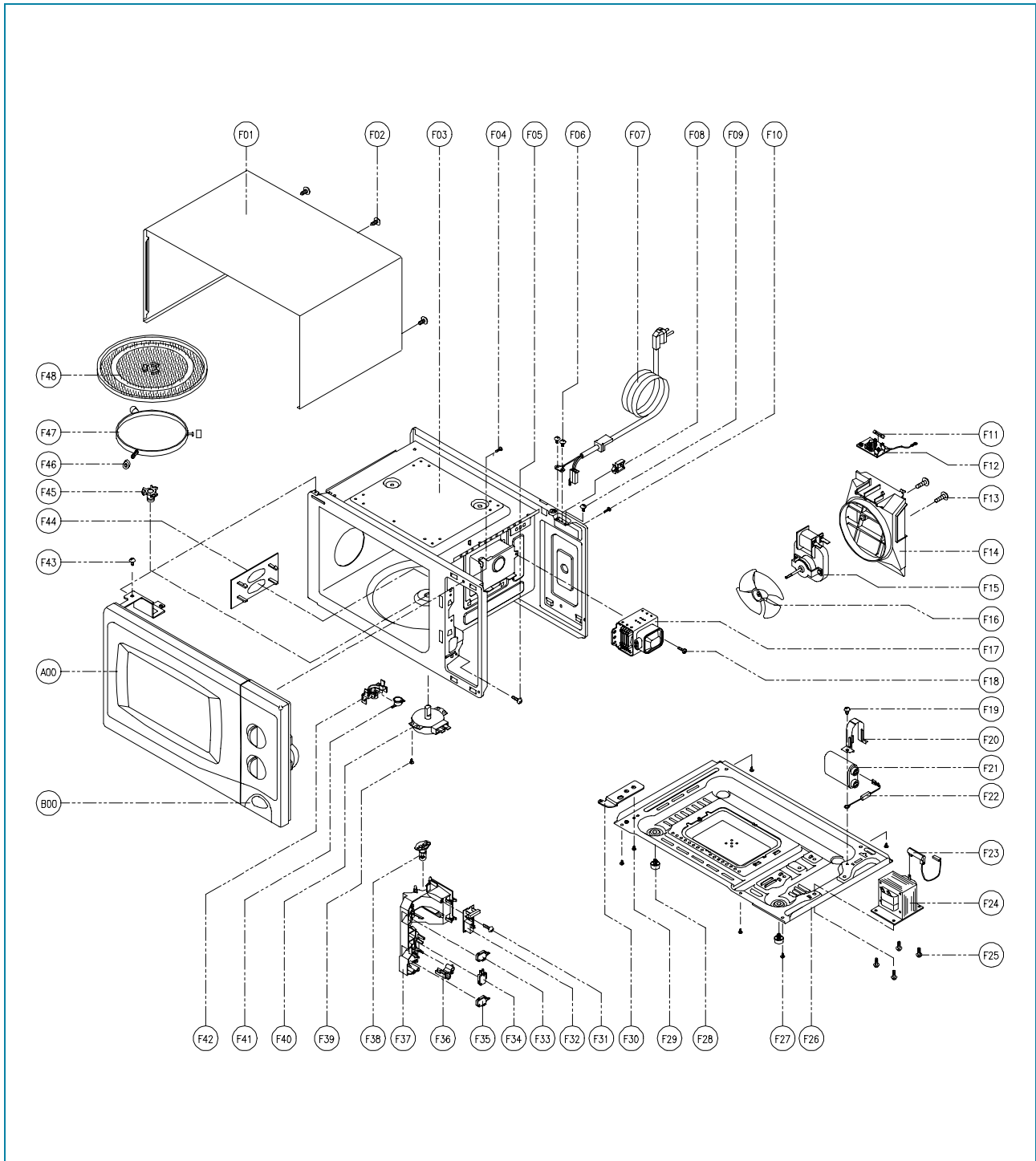
1. DOOR ASSEMBLY

Refer to Disassembly and assembly.

2. CONTROL PANEL ASSEMBLY

Refer to Disassembly and assembly.

3. TOTAL ASSEMBLY



KOR-63050S

REF NO.	PART CODE	PART NAME	DESCRIPTION	SUPPLY	REMARK
A00	3511710320	DOOR AS	KOR-63050S	0	
B00	3516719610	CONTROL-PANEL AS	KOR-63050S	0	
F01	3510801310	CABINET	PCM T0.36 GE	0	
F02	7112401011	SCREW TAPPING	T1 TRS 4X10 MFZN	0	
F03	3516019000	CAVITY WELD AS	CAVITY WELD AS	0	
	3516109600	CAVITY JOINT AS	CAVITY JOINT AS	0	
F04	7122401211	SCREW TAPPING	T2S TRS 4X12 MFZN	0	
F05	7122401211	SCREW TAPPING	T2S TRS 4X12 MFZN	0	
F06	7112401011	SCREW TAPPING	T1 TRS 4X10 MFZN	0	
F07	35113AEQ0D	CORD POWER AS	3X0.75 70X70 100-RTML	0	
F08	4413A90012	CLAMP POWER CORD	NYLON66	0	
F09	7112401011	SCREW TAPPING	T1 TRS 4X10 MFZN	0	
F10	7122401211	SCREW TAPPING	T2S TRS 4X12MFZN	0	
F11	4415D67620	FUSE	250V 12A 65TS	0	
	4415D67120	FUSE	250V 12A MDA	0	
F12	3518606200	FILTER NOISE	DWLF-M12	0	
F13	7121403011	SCREW TAPPING	T2S PAN 4X30 MFZN	0	
F14	3512517000	GUIDE WIND	PP	0	
F15	3963513100	MOTOR SHADE POLE	230V 17W OEM-10DWC2-A07	0	
	3963512310	MOTOR SHADE POLE	230V 20W MW10CA-M02	0	
F16	3511800300	FAN	PP+30%GLASS	0	
F17	3518002200	MAGNETRON	2M218H(MF) I	0	
F18	3516004000	SPECIAL SCREW	T2 BOLT FLANGE 5X12 DACRO	0	
F19	7272400811	SCREW TAPTITE	TT3 TRS 4X8 MFZN	0	
F20	3513003200	HOLDER HV CAPACITOR	SECC T0.6	0	
F21	3518113700	CAPACITOR HV	2100VAC 0.98μF #187	0	
F22	3518400400	DIODE HV	HVR-1X-3AB 12KV #187	0	
F23	3518701100	FUSE HV	5KV 0.55A HV-41A55-02	0	
F24	3518113700	TRANS HV	DY-N80S0-63T	0	
F25	3516003700	SPECIAL SCREW	TT3 FLG HEX 4X8 MFZN	0	
F26	3510311700	BASE	SBHG T0.8	0	
F27	7112401011	SCREW TAPPING	T1 TRS 4X10 MFZN	0	
F28	3512100900	FOOT	PP DASF-130	0	
F29	7272400811	SCREW TAPTITE	TT3 TRS 4X8 MFZN	0	
F30	3515201101	STOPPER HINGE *U	SCP-1 T2.5	0	
F31	7122401211	SCREW TAPPING	T2S TRS 4X12 MFZN	0	
F32	3518570400	SW S/A RELAY	DWSR-1	0	
F33	4415A17352	SW MICRO	VP-533A-OF SPNO #187 200G	0	
F34	4415A66910	SW MICRO	VP-531A-OF/SZM-V16-FA-61	0	
F35	4415A17352	SW MICRO	VP-533A-OF SPNO #187 200G	0	
F36	3513702600	LEVER LOCK	POM	0	
F37	3513811700	LOCK	POM	0	
F38	3513601600	LAMP	BL 240V 25W T25 C7A H187	0	
F39	7121400611	SCREW TAPPING	T2S PAN 4X6 MFZN	0	
F40	3966310100	MOTOR SYNCRO	220V 2.5W GM-16-24FD12	0	
	3966310110	MOTOR SYNCRO	220V 2.5W M2LJ49ZT52	0	
F41	3518905300	THERMOSTAT	OFF:75 ON:65 H #187 NB	0	
F42	3513003400	HOLDER THERMOSTAT	PBT	0	
F43	7272400811	SCREW TAPTITE	TT3 TRS 4X8 MFZN	0	
F44	3511406200	COVER WAVE GUIDE	HEATPROOF PP	0	
F45	3517400620	COUPLER	XAREC	0	
F46	3514700710	ROLLER	TEFRON	0	
F47	3512517300	GUIDE ROLLER	PP 5113MF6 A353B	0	
F48	3517203600	TRAY	GLASS	0	

EXPLODED VIEW AND PARTS LIST

KOR-86050S / KOR-86050N

REF NO.	PART CODE	PART NAME	DESCRIPTION	SUPPLY	REMARK
A00	3511710720	DOOR AS	KOR-86050S	0	
B00	3516720510	CONTROL-PANEL AS	KOR-86050S	0	
F01	3510801400	CABINET	PCM T0.6	0	
F02	7112401011	SCREW TAPPING	T1 TRS 4X10 MFZN	0	
F03	3516109200	CAVITY WELD AS	CAVITY WELD AS	0	
	3516109700	CAVITY JOINT AS	CAVITY JOINT AS	0	
F04	7122401211	SCREW TAPPING	T2S TRS 4X12 MFZN	0	
F05	7122401211	SCREW TAPPING	T2S TRS 4X12 MFZN	0	
F06	7112401011	SCREW TAPPING	T1 TRS 4X10 MFZN	0	
F07	35113AEQ0D	CORD POWER AS	3X0.75 70X70 100-RTML	0	
F08	4413A90012	CLAMP POWER CORD	NYLON66	0	
F09	7112401011	SCREW TAPPING	T1 TRS 4X10 MFZN	0	
F10	7122401211	SCREW TAPPING	T2S TRS 4X12 MFZN	0	
F11	4415D67620	FUSE	250V 12A 65TS	0	
	4415D67120	FUSE	250V 12A MDA	0	
F12	3518606200	FILTER NOISE	DWLF-M12	0	
F13	7121403011	SCREW TAPPING	T2S PAN 4X12 MFZN	0	
F14	3512517000	GUIDE WIND	PP	0	
F15	3963513100	MOTOR SHADE POLE	230V 17W OEM-10DWC2-A07	0	
	3963512310	MOTOR SHADE POLE	230V 20W MW10CA-M02	0	
F16	3511800300	FAN	PP+30%GLASS	0	
F17	3518002200	MAGNETRON	2M218H(MF) I	0	
F18	3516004000	SPECIAL SCREW	T2 BOLT FLANGE 5X12 DACRO	0	
F19	7272400811	SCREW TAPTITE	TT3 TRS 4X8 MFZN	0	
F20	3513003200	HOLDER HV CAPACITOR	SECC T0.6	0	
F21	3518302200	CAPACITOR HV	2100VAC 0.98μF #187	0	
F22	3518400400	DIODE HV	HVR-1X-3AB 12KV #187	0	
F23	3518701100	FUSE HV	5KV 0.55A HV-41A55-02	0	
F24	3518114000	TRANS HV	DW-N90S0-86T	0	86050S
	2518115000	TRANS HV	DW-N90N0-86T	0	86050N
F25	3516003700	SPECIAL SCREW	TT3 FLG HEX 4X8 MFZN	0	
F26	3510311900	BASE	SBHG T0.8	0	
F27	7112401011	SCREW TAPPING	T1 TRS 4X10 MFZN	0	
F28	3512100900	FOOT	PP DASF-130	0	
F29	7272400811	SCREW TAPTITE	TT3 TRS 4X8 MFZN	0	
F30	3515201101	STOPPER HINGE *U	SCP-1 T2.5	0	
F31	7122401211	SCREW TAPPING	T2S TRS 4X12 MFZN	0	
F32	3518570400	SW S/A RELAY	DWSR-1	0	
F33	4415A17352	SW MICRO	VP-533A-OF SPNO #187 200G	0	
F34	4415A66910	SW MICRO	VP-531A-OF/SZM-V16-FA-61	0	
F35	4415A17352	SW MICRO	VP-533A-OF SPNO #187 200G	0	
F36	3513702600	LEVER LOCK	POM	0	
F37	3513811700	LOCK	POM	0	
F38	3513601600	LAMP	BL 240V 25W T25 C7A H187	0	
F39	7121400611	SCREW TAPPING	T2S PAN 4X6 MFZN	0	
F40	3966310100	MOTOR SYNCRO	220V 2.5W GM-16-24FD12	0	
	3966310110	MOTOR SYNCRO	220V 2.5W M2LJ49ZT52	0	
F41	3518905300	THERMOSTAT	OFF:75 ON:65 H #187 NB	0	
F42	3513003400	HOLDER THERMOSTAT	PBT	0	
F43	7272400811	SCREW TAPTITE	TT3 TRS 4X8 MFZN	0	
F44	3511406200	COVER WAVE GUIDE	HEATPROOF PP	0	
F45	4418D10032	COUPLER	ZAREC	0	
F46	3514700710	ROLLER	TEFRON	0	
F47	3512517300	GUIDE ROLLER	PP 5113MF6 A353B	0	
F48	3517203500	TRAY	GLASS	0	

DAEWOO

DAEWOO ELECTRONICS CO., LTD

686, AHYEON-DONG MAPO-GU
SEOUL, KOREA
C.P.O. BOX 8003 SEOUL, KOREA
TELEX : DWELEC K28177-8
CABLE : "DAEWOOELEC"
E-mail : G7F00E@web.dwe.co.kr
FAX : 02) 360-8184
TEL: 02) 360-8178-8182

PRINTED DATE : JUN. 1999