

Service Manual

Microwave Oven

Model: KOC-8HAT7S

KOC-8HAT7R

KOC-8HAF7R

KOC-8HBF7S(7S24)

KOC-8HBF7P24

✓ **Caution**

: In this Manual, some parts can be changed for improving, their performance without notice in the parts list. So, if you need the latest parts information, please refer to PPL(Parts Price List) in Service Information Center (<http://svc.dwe.co.kr>).

PRECAUTIONS TO BE OBSERVED BEFORE AND DURING SERVICING TO AVOID POSSIBLE EXPOSURE TO EXCESSIVE MICROWAVE ENERGY

- (a) Do not operate or allow the oven to be operated with the door open.
- (b) Make the following safety checks on all ovens to be serviced before activating the magnetron or other microwave source, and make repairs as necessary: (1) Interlock operation, (2) Proper door closing, (3) Seal and sealing surfaces (arcing, wear, and other damage), (4) Damage to or loosening of hinges and latches, (5) Evidence of dropping or abuse.
- (c) Before turning on power to the microwave oven for any service test or inspection within the microwave generating compartments, check the magnetron, wave guide or transmission line, and cavity for proper alignment, integrity, and connections.
- (d) Any defective or misadjusted components in the interlock, monitor, door seal, and microwave generation and transmission systems shall be repaired, replaced, or adjusted by procedures described in this manual before the oven is released to the owner.

TABLE OF CONTENTS

1 SAFETY AND PRECAUTIONS	2
2 SPECIFICATIONS	3
3 EXTERNAL VIEW	4
3-1 OUTER DIMENSION	4
3-2 FEATURE DIAGRAM	5
4 INSTALLATION	6
5 CONTROL PANEL	7
6 DISASSEMBLY AND ASSEMBLY	9
7 INTERLOCK MECHANISM AND ADJUSTMENT	22
8 TROUBLE SHOOTING GUIDE	23
9 MESUREMENT AND TEST	28
9-1 MEASUREMENT OF THE MICROWAVE POWER OUTPUT	28
9-2 MICROWAVE RADIATION TEST	29
9-3 COMPONENT TEST PROCEDURE	30
10 WIRING DIAGRAM	31
11 EXPLODED VIEW AND PARTS LIST	33
11-1 DOOR ASSEMBLY	33
12-2 CONTROL PANEL ASSEMBLY	33
13-3 TOTAL ASSEMBLY	33

1. SAFETY AND PRECAUTIONS

1. FOR SAFE OPERATION

Damage that allows the microwave energy (that cooks or heats the food) to escape will result in poor cooking and may cause serious bodily injury to the operator.

IF ANY OF THE FOLLOWING CONDITIONS EXIST, OPERATOR MUST NOT USE THE APPLIANCE. (Only a trained service personnel should make repairs.)

- 1) A broken door hinge.
- 2) A broken door viewing screen.
- 3) A broken front panel, oven cavity.
- 4) A loosened door lock.
- 5) A broken door lock.

The door gasket plate and oven cavity surface should be kept clean.

No grease, soil or spatter should be allowed to build up on these surfaces or inside the oven.

DO NOT ATTEMPT TO OPERATE THIS APPLIANCE WITH THE DOOR OPEN.

The microwave oven has concealed switches to make sure the power is turned off when the door is opened.

Do not attempt to defeat them.

DO NOT ATTEMPT TO SERVICE THIS APPLIANCE UNTIL YOU HAVE READ THIS SERVICE MANUAL.

2. FOR SAFE SERVICE PROCEDURES.

1. If the oven is operative prior to servicing, a microwave emission check should be performed prior to servicing the oven.
2. If any certified oven unit is found to servicing, a microwave emission check should be performed prior to servicing the oven.
 - (a) inform the manufacturer, importer or assembler,
 - (b) repair the unit at no cost to the owner,
 - (c) attempt to ascertain the cause of the excessive leakage,
 - (d) tell the owner of the unit not to use the unit until the oven has been brought into compliance.
3. If the oven operates with the door open, the service person should tell the user not to operate the oven and contact the manufacturer immediately.

IMPORTANT

The wire in this mains lead coloured in accordance with the following code.

Green-and-yellow	: Earth
Blue	: Neutral
Brown	: Live

As the colours of the wires in the mains lead of this appliance may not correspond with the coloured markings identifying the terminals in your plug, proceed as follows.

The wire which is coloured green-and-yellow must be connected to the terminal in the plug which is marked with the letter 'E' or by earth symbol or green-and-yellow.

The wire which is coloured blue must be connected to the terminal which is marked with the letter 'N' or coloured black.

The wire which is coloured brown must be connected to the terminal which is marked with the letter 'L' or coloured red.

NOTE : This oven is designed for counter-top use only.

2. SPECIFICATIONS

MODEL	KOC-8HAT7S / 8HAT7R / 8HAF7R	
POWER SUPPLY	230V~50Hz, SINGLE PHASE WITH EARTHING	
POWER CONSUMPTION (KOC-8HAT7S / 8HAT7R)	MICROWAVE	1400W
	GRILL	850W
	CONVECTION	1850W
	COMBINATION	KOC-8HAT7S : 2500W, KOC-8HAT7R : 1850W
POWER CONSUMPTION (KOC-8HAF7R)	MICROWAVE	1400W
	GRILL	2300W
	CONVECTION	1850W
	COMBINATION	1850W
	FRYER	2300W
MICROWAVE ENERGY OUTPUT	900W (IEC 705)	
MICROWAVE FREQUENCY	2450MHz	
OUTSIDE DIMENSIONS (W X D X H)	501X492X319mm(19.7X19.4X12.6 in.)	
CAVITY DIMENSIONS (W X D X H)	310X328X232mm(12.2X12.9X9.1 in.)	
NET WEIGHT	Approx. 18Kg (39.6 lbs.)	
TIMER	60 minutes	
FUNCTION SELECTIONS	Microwave / Grill / Convection / Combination	
POWER SELECTIONS	10 LEVELS	
CAVITY VOLUME	0.83 Cu. Ft	

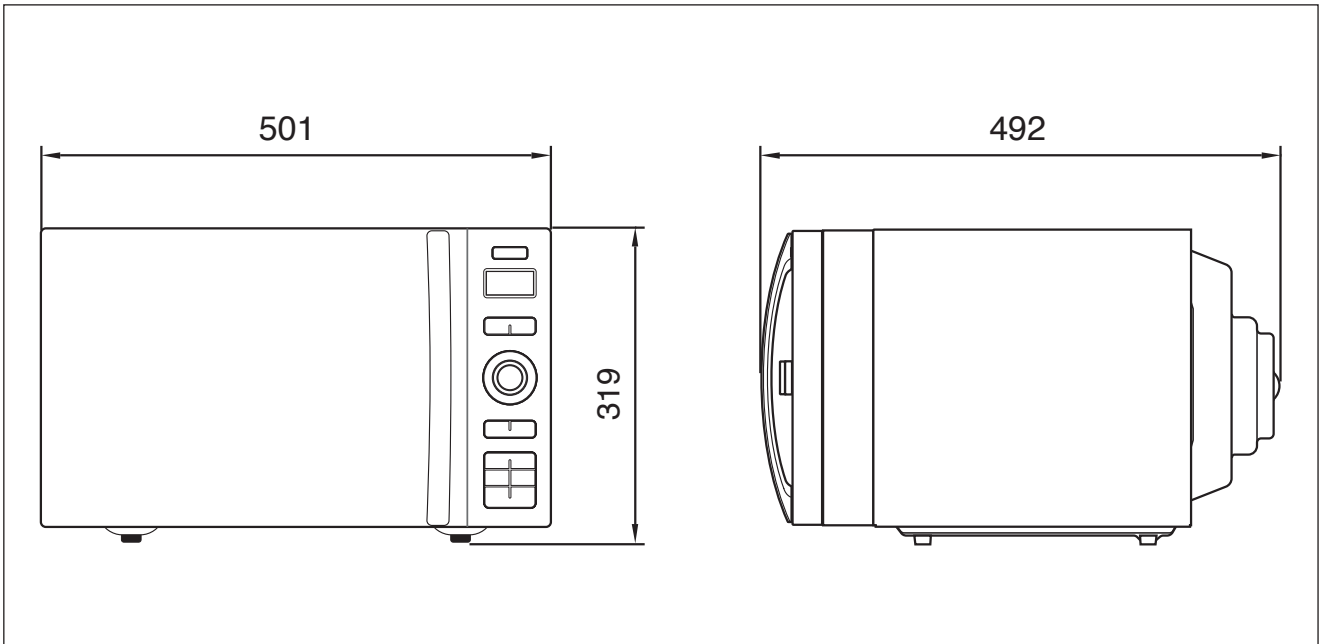
* SPECIFICATION ARE SUBJECT TO CHANGE WITHOUT NOTICE.

MODEL	KOC-8HBF7S(7S24) / 8HBF7P24	
POWER SUPPLY (KOC-8HBF7S(7S24))	230V~, 50Hz	
POWER SUPPLY (KOC-8HBF7P24)	220V~, 60Hz	
POWER CONSUMPTION	MICROWAVE	1400 W
	GRILL	2300 W
	CONVECTION	2300 W
	COMBINATION	2500 W
MICROWAVE ENERGY OUTPUT	900W (IEC 705)	
MICROWAVE FREQUENCY	2450MHz	
OUTSIDE DIMENSIONS (W X D X H)	501X492X319mm(19.7X19.4X12.6 in.)	
CAVITY DIMENSIONS (W X D X H)	310X328X232mm(12.2X12.9X9.1 in.)	
NET WEIGHT	Approx. 18Kg (39.6 lbs.)	
TIMER	60 minutes	
FUNCTION SELECTIONS	Microwave / Grill / Convection / Combination	
POWER SELECTIONS	10 LEVELS	
CAVITY VOLUME	0.83 Cu. Ft	

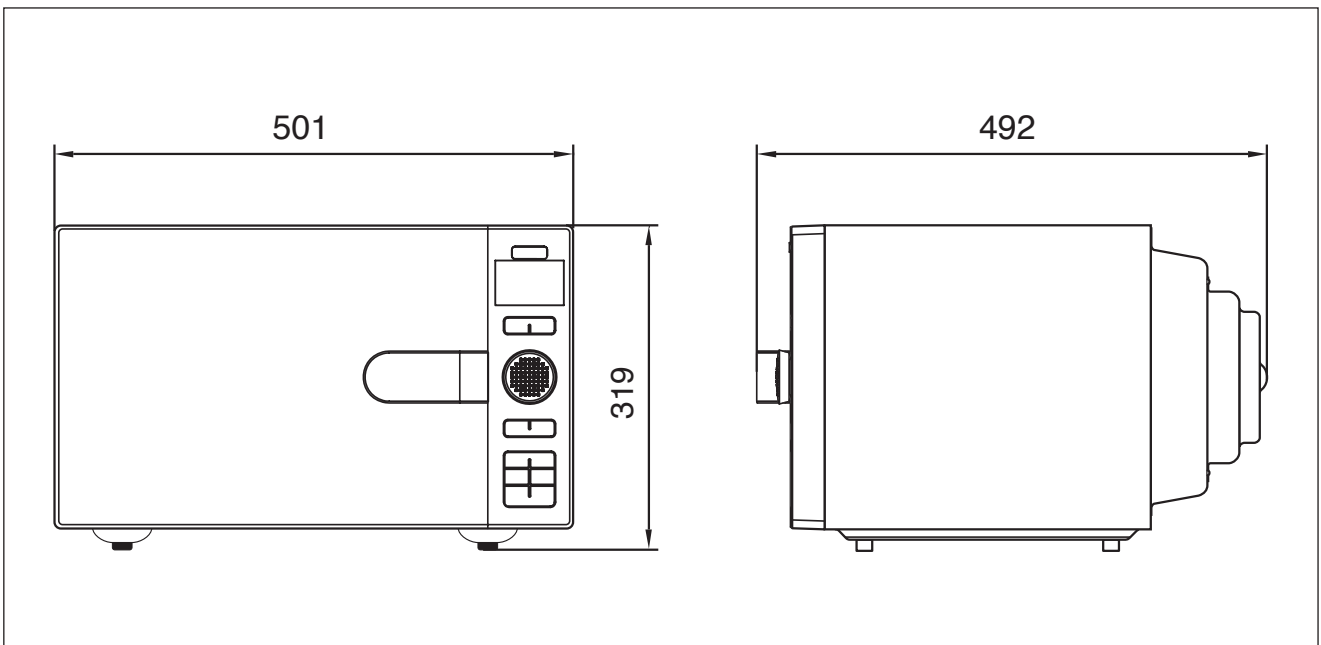
* SPECIFICATION ARE SUBJECT TO CHANGE WITHOUT NOTICE.

3. EXTERNAL VIEW

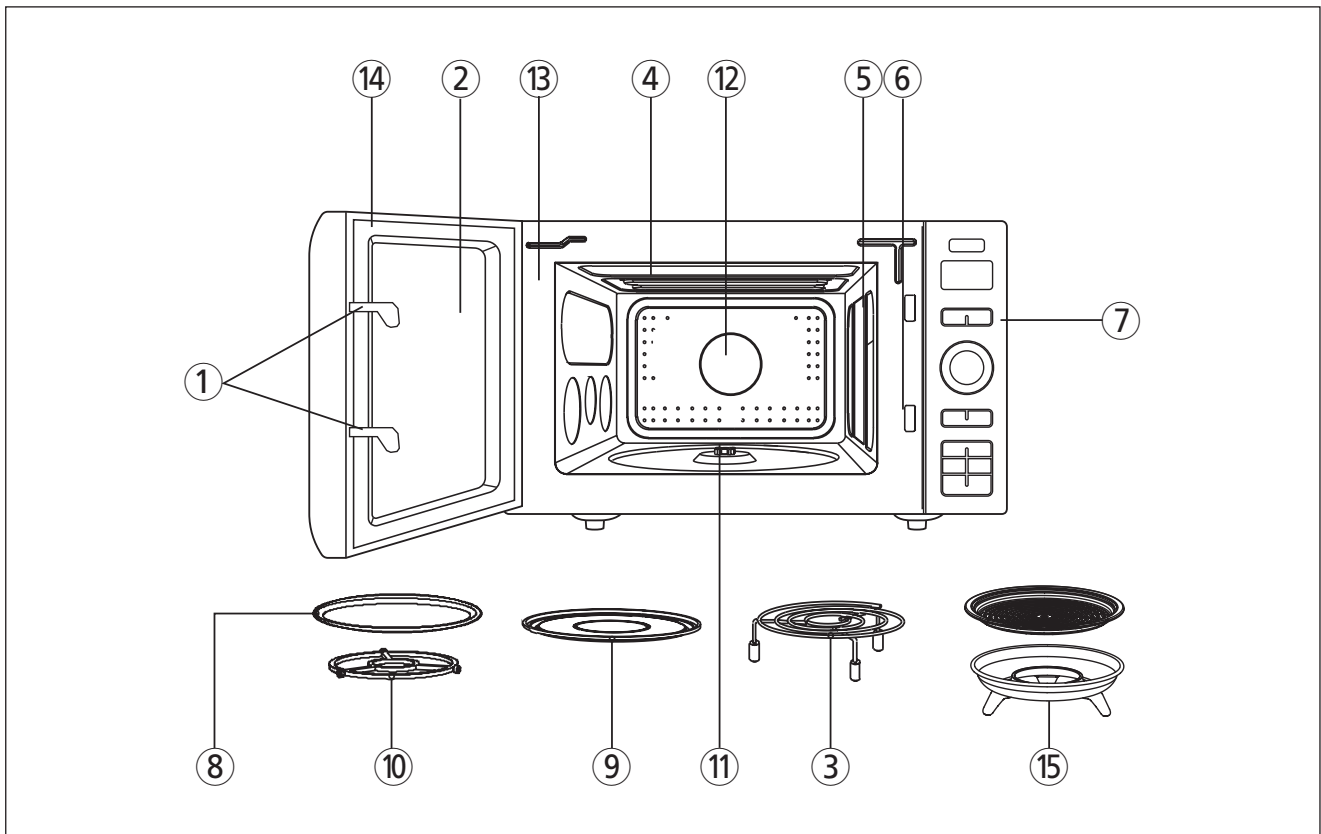
1. OUTER DIMENSION (KOC-8HAT7S/8HAT7R/ 8HAF7R))



2. OUTER DIMENSION (KOC-8HBF7S(7S24) / 8HBF7P24)



2. FEATURE DIAGRAM



1. DOOR HOOK

When the door is closed, it will automatically lock shut. If door is opened while oven is operating, the magnetron will immediately stop operating.

2. DOOR VIEWING SCREEN

Allows viewing of food. The screen is designed so that light can pass through, but not the microwave.

3. METAL RACK

4. TOP HEATER

Turns on when convection, grill and combi cooking is selected.

5. OVEN LAMP

Automatically turns on during oven operating.

6. SAFETY INTERLOCK SYSTEM

7. CONTROL PANEL

8. Glass Turntable

Turntable Center the tray on the roller guide when using the microwave features. Place food or microwave-safe cookware directly on the glass turntable.

*** NOTE : Glass Turntable is attached to the right cushion.**

9. Metal Tray

Put food or appropriate cookware directly on the metal tray and place on the glass turntable and then place on the roller guide when using convection cooking, combination cooking, auto cooking or grill cooking.

10. ROLLER GUIDE

This must always be used for cooking together with the turntable tray.

11. COUPLER

This fits over the shaft in the center of the ovens cavity floor. This is to remain in the oven for all cooking.

12. CONVECTION OUTLET & FAN

13. OVEN FRONT PLATE

14. DOOR SEAL

Door seal maintains the microwave energy within the oven cavity and prevents microwave leakage.

15. Home Fryer Bowl

Center the kit on the metal tray when using the Home fryer cooking.

4. INSTALLATION

1. Steady, flat location

This microwave oven should be set on a steady, flat surface.
This microwave oven is designed for counter top use only.

2. Leave space behind and side

All air vents should be kept a clearance. If all vents are covered during operation, the oven may overheat and, eventually, cause failure.

3. Away from Radio and TV sets

Poor television reception and radio interference may result if the oven is located close to a TV, Radio, antenna or feeder and so on.
Position the oven as far from them as possible.

4. Away from heating appliances and water taps

Keep the oven away from hot air, steam or splash when choosing a place to position it, or the insulation might be adversely affected and breakdowns occur.

5. Power supply

- Check your local power source.
KOC-8HAT7S / KOC-8HAT7R / KOC-8HAF7R / KOC-8HBF7S(7S24) microwave oven requires a current of approximately 11 amperes, 230V, 50Hz.
KOC-8HBF7P24 microwave oven requires a current of approximately 11 amperes, 220V, 60Hz.
- Power supply cord is about 1.2 meters long.
- The voltage used must be the same as specified on this oven. Using a higher voltage may result in a fire or other accident causing oven damage. Using low voltage will cause slow cooking. We are not responsible for damage resulting from use of this oven with a voltage of ampere fuse other than those specified.
- This appliance is supplied with cable of special type, which, if damaged, must be repaired with cable of same type. Such a cable can be purchased from DAEWOO and must be installed by a Qualified Person.

6. Examine the oven after unpacking for any damage such as:

A misaligned door, broken door or a dent in cavity.
If any of the above are visible, DO NOT INSTALL, and notify dealer immediately.

7. Do not operate the oven if it is colder than room temperature.

(This may occur during delivery in cold weather.) Allow the oven to become room temperature before operating.

EARTHING INSTRUCTIONS

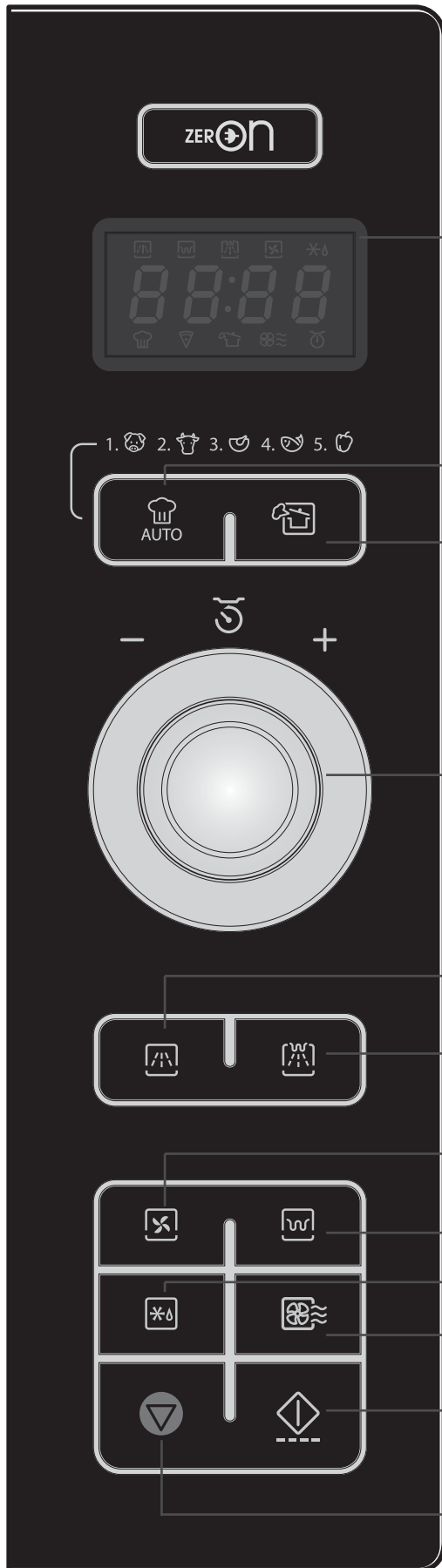
This appliance must be earthed. In the event of an electrical short circuit, earthing reduces the risk of the electric shock by providing an escape wire for the electric current. This appliance is equipped with a cord having a earthing wire with a earthing plug. The plug must be plugged into an outlet that is properly installed and earthed.

WARNING

Improper use of the earthing plug can result in a risk of electric shock. Consult a qualified electrician or serviceman if the earthing instructions are not completely understood, or if doubt exists as to whether the appliance is properly earthed, and either:
If it is necessary to use an extension cord, use only a 3-wire extension cord that has a 3-blade earthing plug, and a 3-slot receptacle that will accept the plug on the appliance.
The marked rating of the extension cord should be equal to or greater than the electrical rating of the appliance, or
Do not use an extension cord.

5-1. CONTROL PANEL

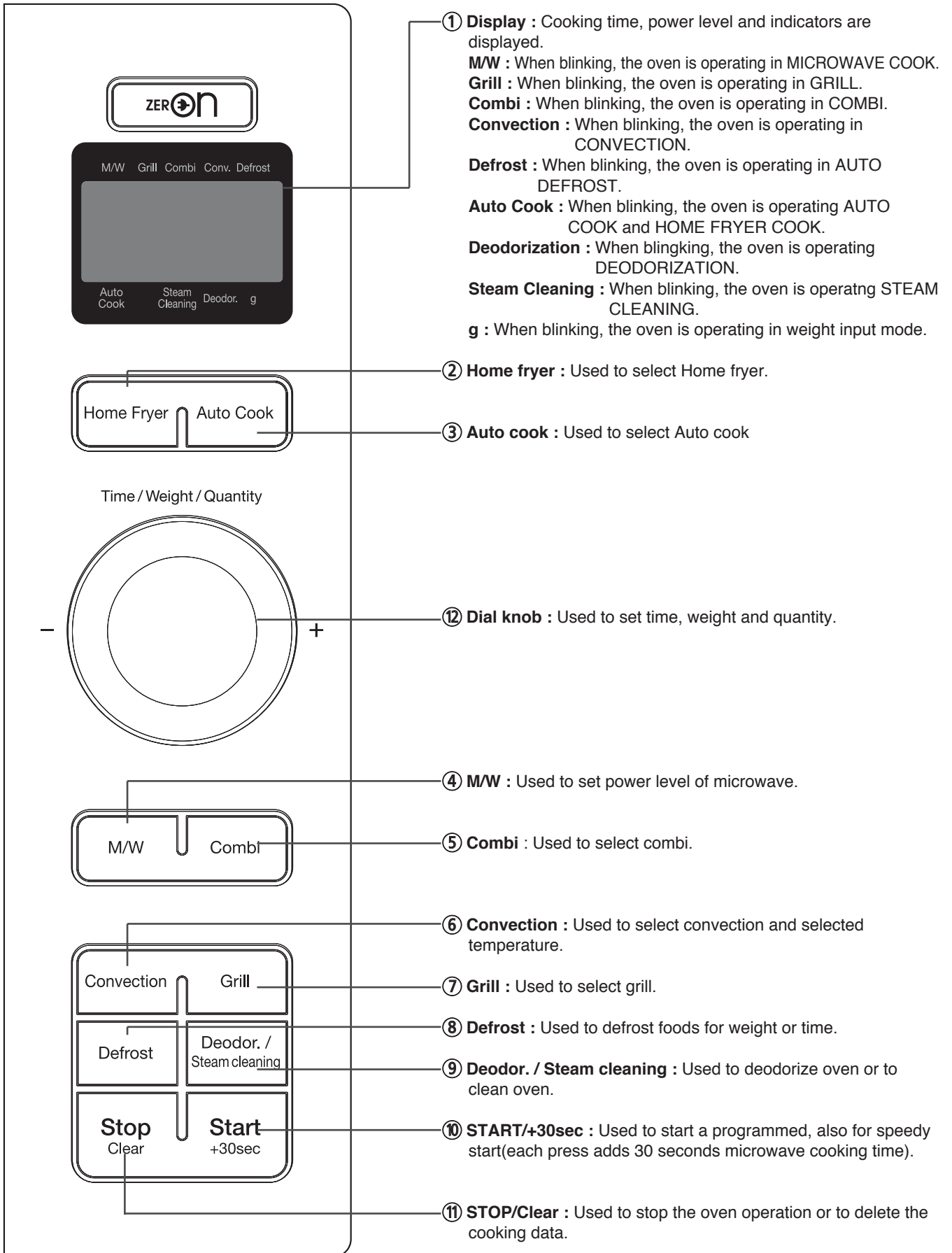
(KOC-8HAT7S / KOC-8HAT7R)



- ① **Display** : Cooking time, power level, indicators and present time are displayed.
 M/W : When blinking, the oven is operating in MICROWAVE COOK.
 Grill : When blinking, the oven is operating in GRILL.
 Combi : When blinking, the oven is operating in COMBI.
 Convection : When blinking, the oven is operating in CONVECTION.
 Defrost : When blinking, the oven is operating in AUTO DEFROST.
 Auto Cook : When blinking, the oven is operating AUTO COOK.
 Deodorization : When blingking, the oven is operating DEODORIZATION.
 g : When blinking, the oven is operating in weight input mode.
- ② **Auto cook** : Used to select Auto cook.
- ③ **Steam Cleaning** : Show steam cleaning in progress.
- ④ **M/W** : Used to set power level of microwave.
- ⑤ **Combi** : Used to select combi.
- ⑥ **Convection** : Used to select convection and selected temp.
- ⑦ **Grill** : Used to select grill.
- ⑧ **Auto Defrost** : Used to defrost foods for weight or time.
- ⑨ **Deodorization** : Used to deodorize oven.
- ⑩ **START/Speedy Cook** : Used to start a programmed, also for speedy start(each press adds 30 seconds microwave cooking time).
- ⑪ **STOP/Clear** : Used to stop the oven operation or to delete the cooking data.
- ⑫ **Dial knob** : Used to set time, weight and quantity.

5-2. CONTROL PANEL

(KOC-8HBF7S(7S24) / KOC-8HBF7P24 / KOC-8HAF7R)



6. DISASSEMBLY AND ASSEMBLY

- Cautions to be observed when trouble shooting.

Unlike many other appliances, the microwave oven is high-voltage, high-current equipment.

It is completely safe during normal operation. However, carelessness in servicing the oven can result in an electric shock or possible danger from a short circuit.

You are asked to observe the following precautions carefully.

1. Always remove the power plug from the outlet before servicing.
2. Use an insulated screwdriver and wear rubber gloves when servicing the high voltage side.
3. Discharge the high voltage capacitor before touching any oven components or wiring.

(1) Check the earthed.

Do not operate on a two-wire extension cord.

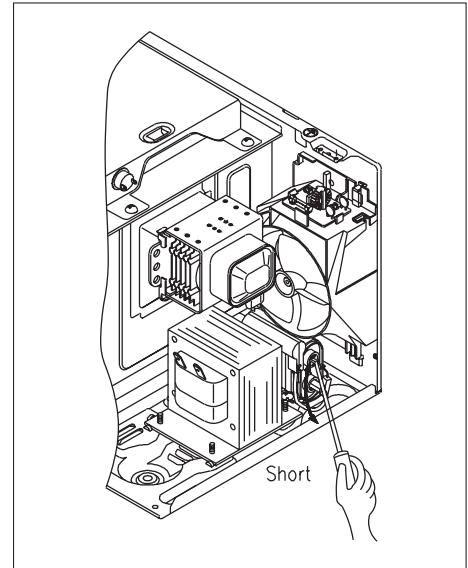
The microwave oven is designed to be used with earthed.

It is imperative, therefore, to make sure it is earthed properly before beginning repair work.

(2) Warning about the electric charge in the high voltage capacitor.

For about 30 seconds after the operation stopped and electric charge remains in the high voltage capacitor. When replacing or checking parts, short between oven chassis and the negative high terminal of the high voltage capacitor, by using a properly insulated screwdriver to discharge.

4. When the 15A fuse is blown out due to the operation of the monitor switch; replace primary interlock switch, secondary interlock switch and interlock monitor switch.
5. After repair or replacement of parts, make sure that the screws are properly tightened, and all electrical connections are tightened.
6. Do not operate without cabinet.

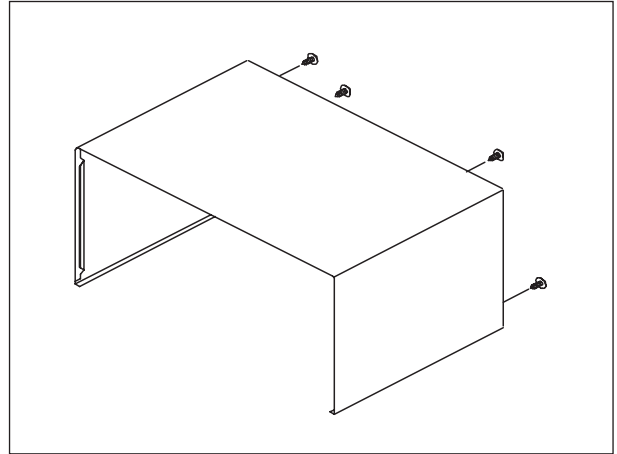


CAUTION : Service personnel should remove their watches whenever working close to or replacing the magnetron.

WARNING : When servicing the appliance, need a care of touching or replacing high potential parts because of electrical shock or exposing microwave. These parts are as follows - HV Transformer, Magnetron, HV Capacitor, HV Diode.

1. To remove cabinet

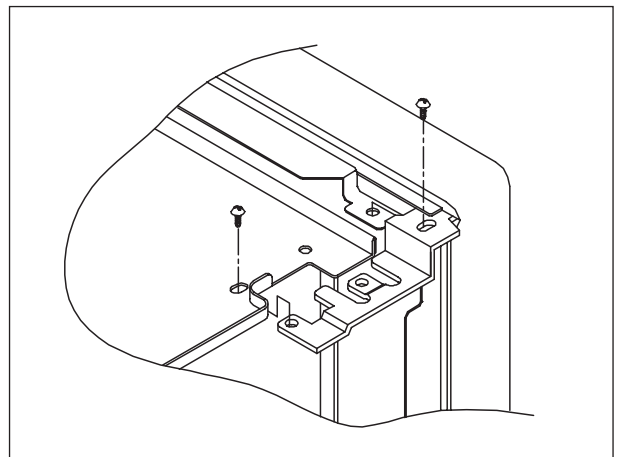
- 1) Remove four screws on the cabinet back.
- 2) Push the cabinet backward.



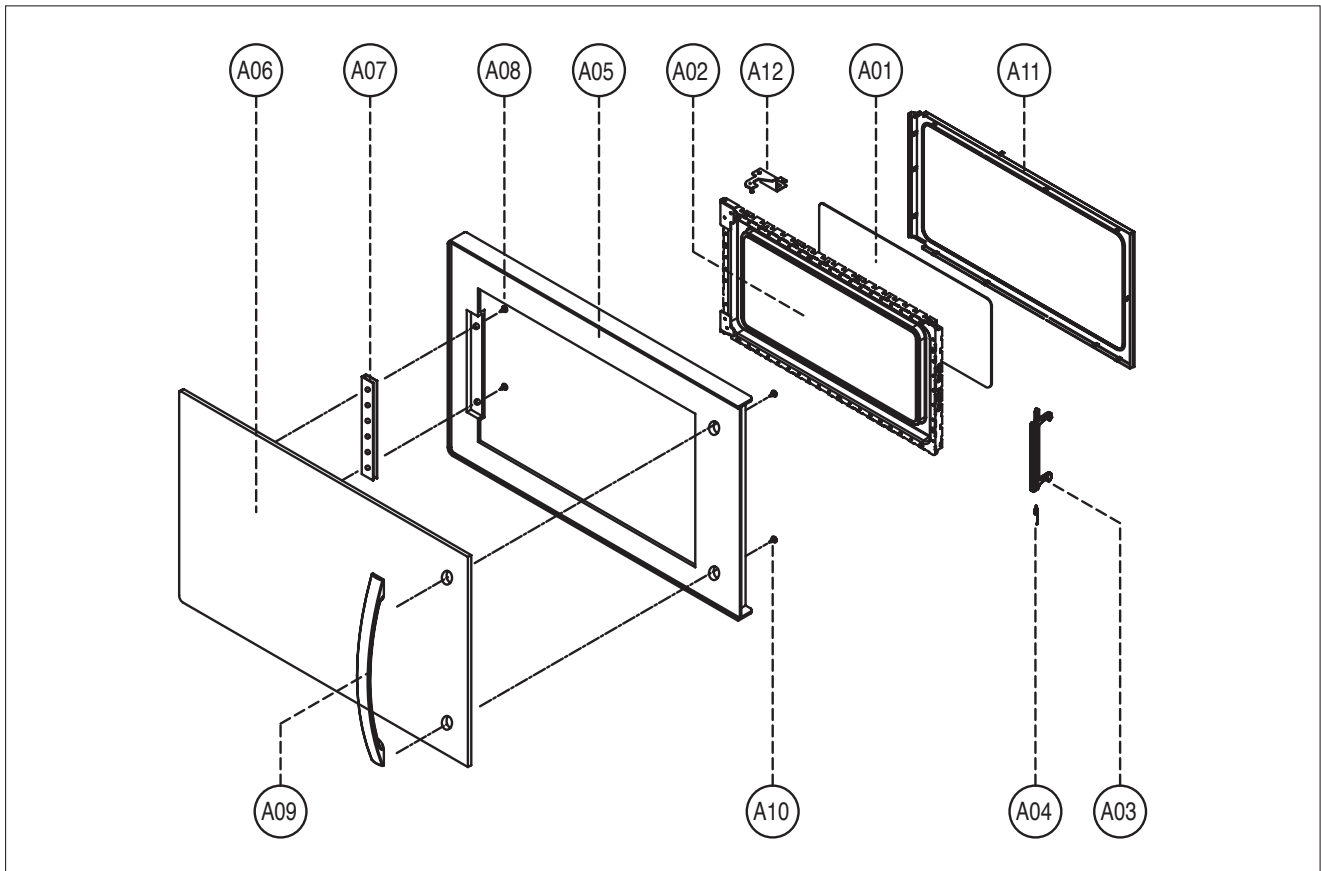
2. To remove door assembly

- 1) Remove two screws which secure the stopper hinge top.
- 2) Remove the door assembly from top plate of cavity.
- 3) Reverse the above for reassembly.

NOTE : After replacing the door assembly, perform a check of correct alignment with the hinge and cavity front plate.



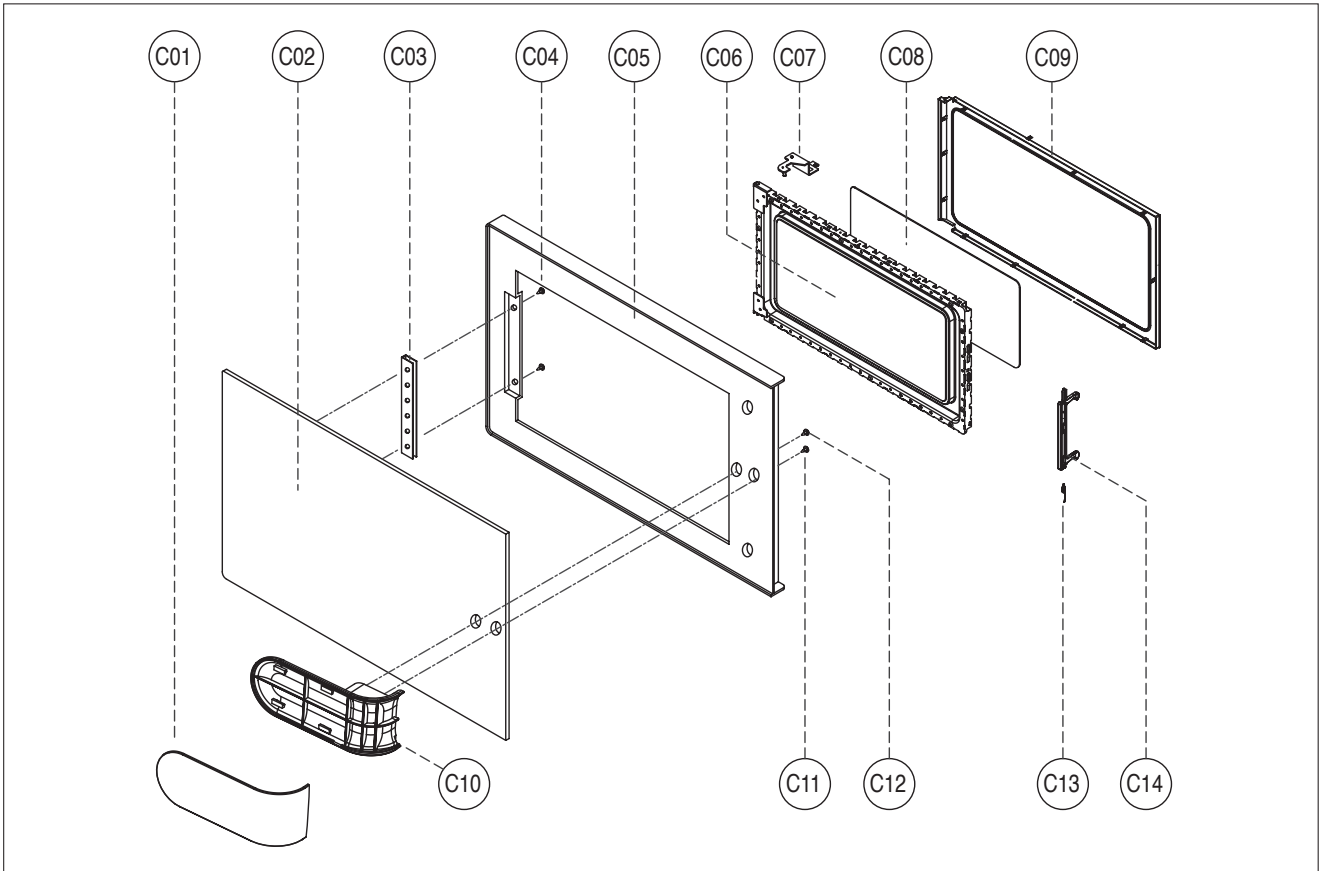
3-1. To remove door parts. (KOC-8HAT7S / KOC-8HAT7R / KOC-8HAF7R)



REF. NO	PART CODE	PART NAME	DESCRIPTION	Q'TY	REMARK
A00	3511726630	DOOR AS	KOC-8HATKS	1	
A01	3517004400	BARRIER SCREEN *I	TEMP GLASS T2.0	1	
A02	3511708900	DOOR PAINTING AS	KOC-871C0S	1	
A03	3513101310	HOOK	POM	1	
A04	3515101310	SPRING HOOK	HSW-3	1	
A05	3512209950	FRAME DOOR	ABS XR-401	1	
A06	3517009550	BARRIER SCREEN *O	TEMP GLASS T3.2 KOC-8H9TWS	1	
A07	3515309300	SUPPORTER BRACKET GLASS	T0.8	1	
A08	7S312X40A1	SCREW TAPPING	T1 TRS 4X10 SE MFZN	2	
A09	3512606710	HANDLE DOOR	ABS SG-0760D, SG-175	1	
A10	7122401211	SCREW TAPPING	T2S TRS 4X12 MFZN	2	
A11	3512301300	GASKET DOOR	PBT	1	
A12	3515203600	STOPPER HINGE *T AS	KOC-970T1S	1	

- (1) Remove the gasket door from door plate.
- (2) Remove screws from door plate.
- (3) Remove the door frame from door plate.
- (4) Remove screws from door frame.
- (5) Remove the handle from door frame.
- (6) Remove the stopper hinge top from door plate.
- (7) Remove the spring and the hook.
- (8) Remove screws from supporter bracket glass.
- (9) Remove barrier screen outer from door frame.
- (10) Reverse the above steps for reassembly.

3-2. To remove door parts. (KOC-8HBF7S(7S24) / 8HBF7P24)

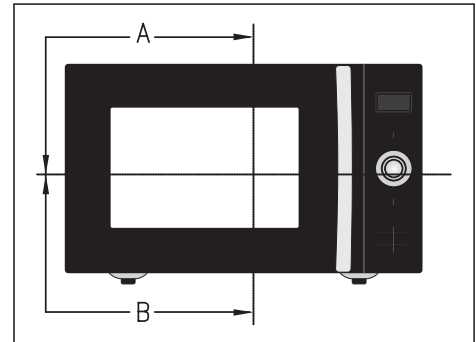


REF. NO	PART CODE	PART NAME	DESCRIPTION	Q'TY	REMARK
C00	3511726640	DOOR AS	KOC-8HBTKC	1	
C01	3511622600	DECORATOR HANDLE	ABS SG-175 SG-0760D	1	
C02	3517009570	BARRIER-SCREEN * O SEAL AS	KOC-8HBTKC SILICON	1	
C03	3515309300	SUPPORTER BRACKET GLASS	T0.8	1	
C04	7S312X40A1	SCREW SPECIAL	T1 TRS 4X10 SE MFZN	2	
C05	3512209950	FRAME DOOR	ABS XR-401	1	
C06	3511708900	DOOR PAINTING AS	KOC-871C0S	1	
C07	3515203600	STOPPER HINGE *T AS	KOC-970T1S	1	
C08	3517004400	BARRIER SCREEN * I	TEMP GLASS T2.0	1	
C09	3512301300	GASKET DOOR	PBT	1	
C10	3512606960	HANDLE DOOR	ABS SG-0760D SG-175 COATING	1	
C11	7121401613	SCREW TAPPING	T2S TRS 4X16 MFZN	1	
C12	7125401211	SCREW TAPPING	T2S FLT 4X12 MFZN	1	
C13	3515101310	SPRING HOOK	HSW-3	1	
C14	3513101310	HOOK	POM	1	

- (1) Remove the gasket door from door plate.
- (2) Remove screws from door plate.
- (3) Remove the door frame from door plate.
- (4) Remove screws from door frame.
- (5) Remove the handle from door frame.
- (6) Remove the stopper hinge top from door plate.
- (7) Remove the spring and the hook.
- (8) Remove screws from supporter bracket glass.
- (9) Remove barrier screen outer from door frame.
- (10) Reverse the above steps for reassembly.

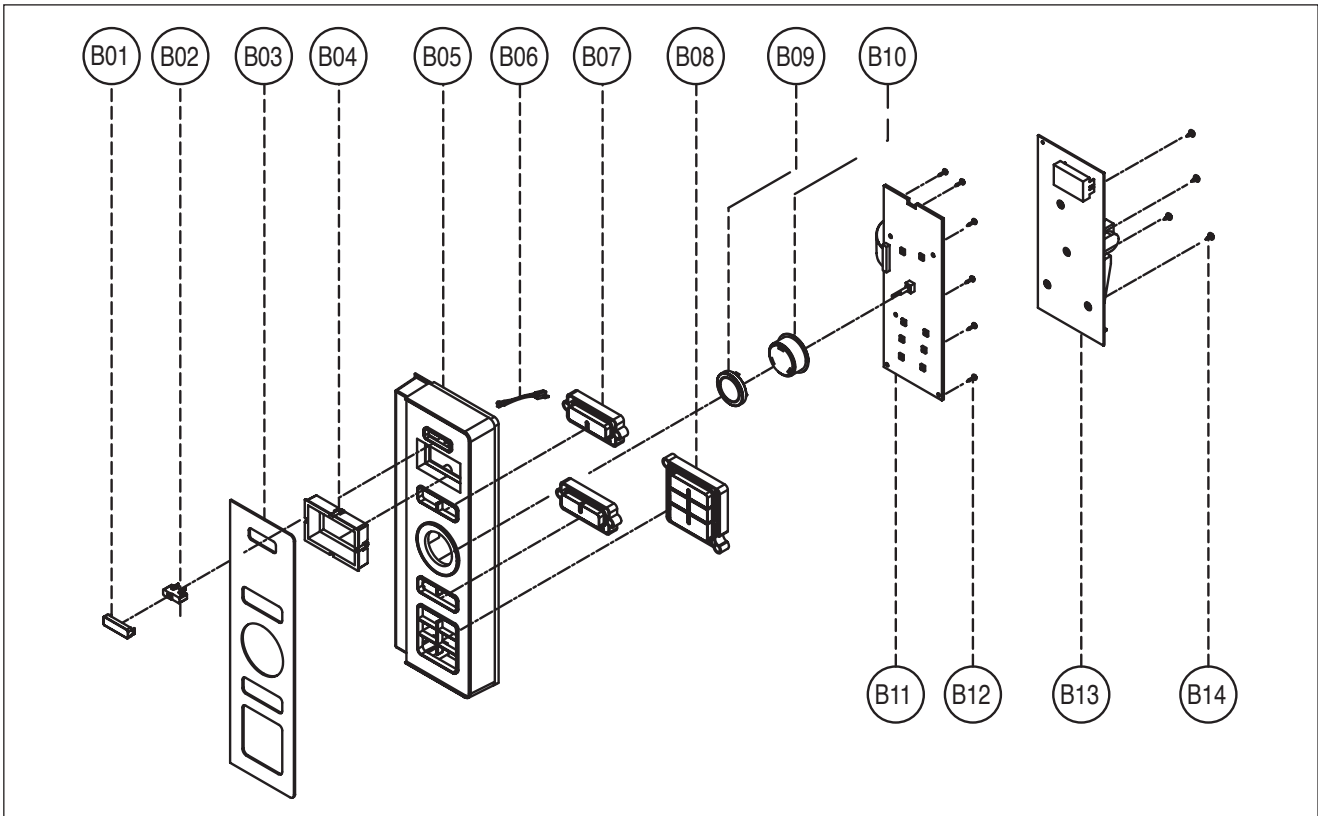
4. Method to reduce the gap between the door seal and the oven front surface.

- (1) To reduce gap located on part 'A'.
 - Loosen two screws on stopper hinge top, and then push the door to contact the door seal to oven front surface.
 - Tighten two screws.
- (2) To reduce gap located on part 'B'.
 - Loosen two screws on stopper hinge under, and then push the door to contact the door seal to oven front surface.
 - Tighten two screws.



NOTE : A small gap may be acceptable if the microwave leakage does not exceed $4\text{mW}/\text{cm}^2$.

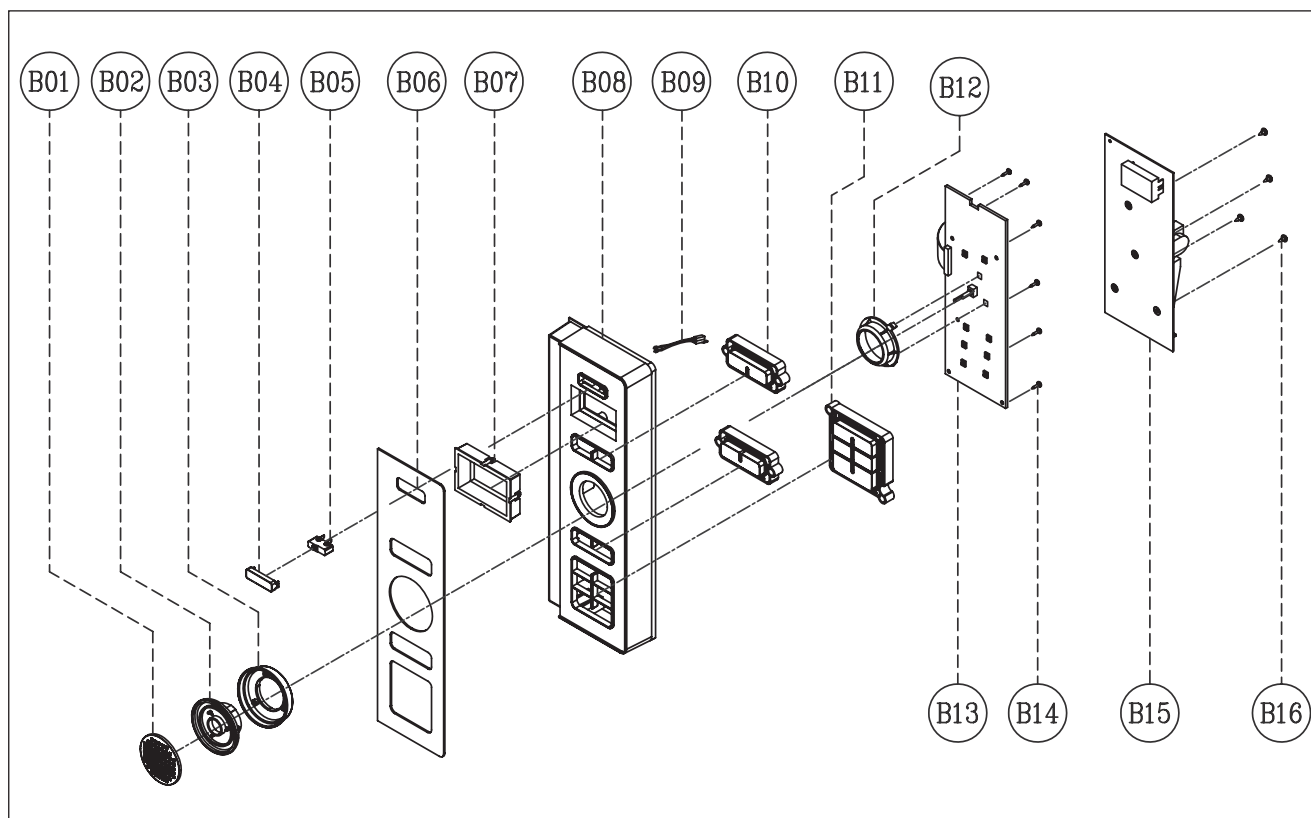
5-1. To remove control panel parts. (KOC-8HAT7S / KOC-8HAT7R / KOC-8HAF7R)



REF. NO	PART CODE	PART NAME	DESCRIPTION	Q'TY	REMARK
B00	PKCPSWGJ70 PKCPSWGJ90 PKCPSWZZZZ	CONTROL-PANEL AS	KOC-8HAT7S KOC-8HAT7R KOC-8HAF7R	1	
B01	3516922610	BUTTON POWER	ABS SG-0760D, SG175 COATING	1	
B02	5S732G30X0	SW MICRO	MS2-T0T200 250/125V 5A T85	1	
B03	3511616520	DECORATOR C-PANEL	PC 0.5T	1	
B04	3513005010	HOLDER LED	ABS SG-0760D SG-175	1	
B05	3516734500	CONTROL PANEL	ABS SG-0760D SG-175	1	
B06	3512785400	HARNESS SWITCH MICRO	KOR-6L8K3S	1	
B07	3516913240	BUTTON FUNCTION-A	ABS SG-0760D SG-175	2	
B08	3516919900	BUTTON FUNCTION-B	ABS SG-0760D SG-175	1	
B09	3511625300	DECORATOR KNOB	ABS SG-0760D SG-175	1	
B10	3513412800	KNOB VOLUME	ABS SG-0760D SG-175	1	
B11	PKBPMSGJ20 PKBPMSGM50	PCB BUTTON MANUAL AS	KOC-8HAT7S KOC-8HAF7S82	1	8HAT7S/7R 8HAF7R
B12	7621301011	SCREW TAPPING	T2S PAN 3X10 PW MFZN	8	
B13	PKMPMSGJ60 PKMPMSGJ80 PKMPMSZB00	PCB MAIN MANUAL AS	KOC-8HAT7S KOC-8HAT7R KOC-8HAF7R	1	
B14	7122401211	SCREW TAPPING	T2S TRS 4*12 MFZN	4	

- (1) Remove the screw which secure the control panel, push up two snap fits and draw forward the control panel assembly.
- (2) Remove four screws(B14) which secure the PCB Main ASS'Y.
- (3) Pull out the Main PCB assembly(B13).
- (4) Remove eight screws(B12) which secure the PCB Sub ASS'Y.
- (5) Pull out the Sub PCB assembly(B11).
- (6) Pull out the Knob volume(B10) from the Sub PCB assembly.
- (7) Pull out buttons from the control panel.
- (8) Pull out Decorator control panel(B03) from the control panel.
- (9) Pull out Window display(B04) from the control panel.
- (10) Reverse the above steps for reassembly.

5-2. To remove control panel parts. (KOC-8HBF7S(7S24) / 8HBF7P24)

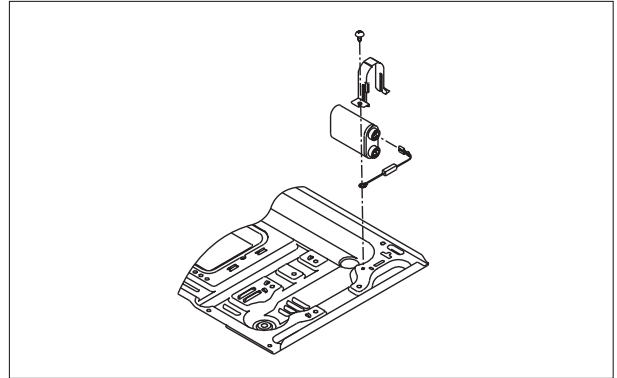


REF. NO	PART CODE	PART NAME	DESCRIPTION	Q'TY	REMARK
B00	PKCPSWGM80	CONTROL-PANEL AS	KOC-8HBF7S	1	
B01	3516751800	DECORATOR CAP	ABS SG-0760D, SG-175	1	
B02	3513413000	KNOB DIAL	ABS TR558A	1	
B03	3511625330	DECORATOR KNOB	ABS SG-0760D, SG-175 COATING	1	
B04	3516922610	BUTTON POWER	ABS SG-175 SG-0760D COATING	1	
B05	5S732G30X0	SW MICRO	MS2-T0T200 250/125V 5A T85	1	
B06	3511616520	DECORATOR C-PANEL	PC 0.5T	1	
B07	3513005010	HOLDER LED	ABS SG-0760D SG-175	1	
B08	3516734550	CONTROL PANEL	ABS SG-0760D SG-175	1	
B09	3512785400	HARNESS SWITCH MICRO	KOR-6L8K3S	2	
B10	3516913250	BUTTON FUNCTION-A	ABS SG-0760D SG-175 COATING	1	
B11	3516919910	BUTTON FUNCTION-B	ABS SG-0760D SG-175 COATING	1	
B12	3513005010	HOLDER LED	ABS SG-0760D SG-175	1	
B13	PKBPMSGM40	PCB BUTTON MANUAL AS	KOC-8HBTKC	1	
B14	7621301011	SCREW TAPPING	T2S PAN 3X10 PW MFZN	8	
B15	PKMPMSGM80	PCB MAIN MANUAL AS	KOC-8HBF7S	1	
B16	7122401211	SCREW TAPPING	T2S TRS 4*12 MFZN	4	

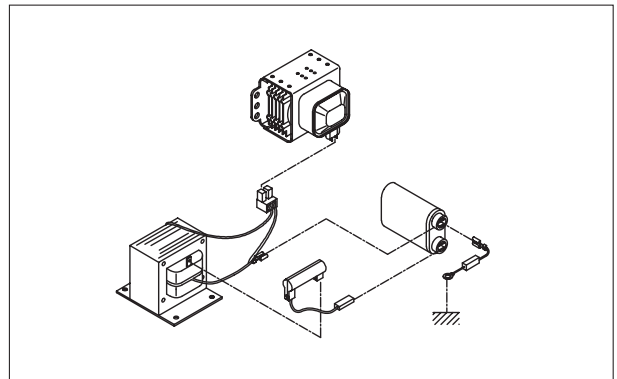
- (1) Remove the screw which secure the control panel, push up two snap fits and draw forward the control panel assembly.
- (2) Remove four screws(B16) which secure the PCB Main ASS'Y.
- (3) Pull out the Main PCB assembly(B15).
- (4) Remove eight screws(B14) which secure the PCB Sub ASS'Y.
- (5) Pull out the Sub PCB assembly(B13).
- (6) Pull out the Knob volume(B02) from the Sub PCB assembly.
- (7) Pull out buttons from the control panel.
- (8) Pull out Decorator control panel(B06) from the control panel.
- (9) Pull out Window display(B07) from the control panel.
- (10) Reverse the above steps for reassembly.

6. To remove high voltage capacitor.

- (1) Remove a screw which secure the grounding ring terminal of the H.V.diode and the capacitor holder.
- (2) Remove the H.V. diode from the capacitor holder.
- (3) Reverse the above steps for reassembly.

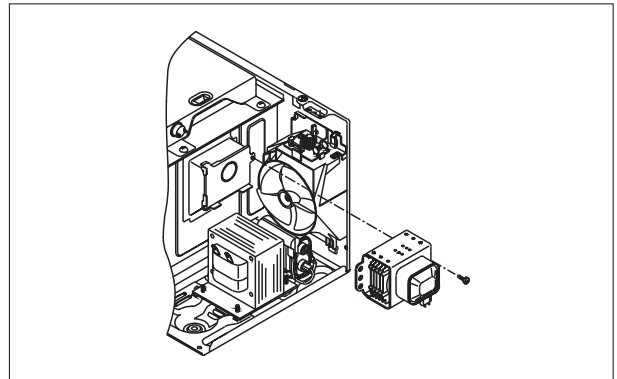


◆ High voltage circuit wiring

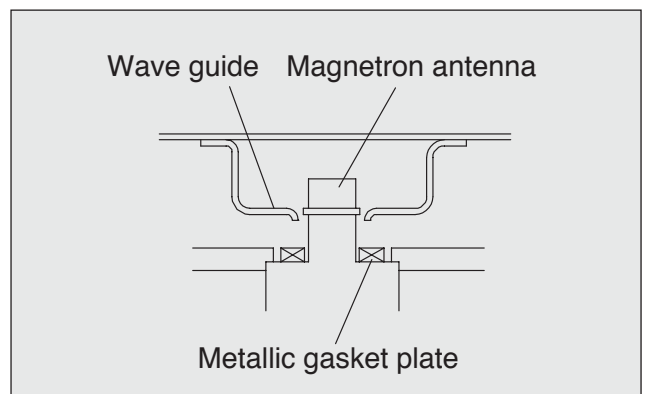
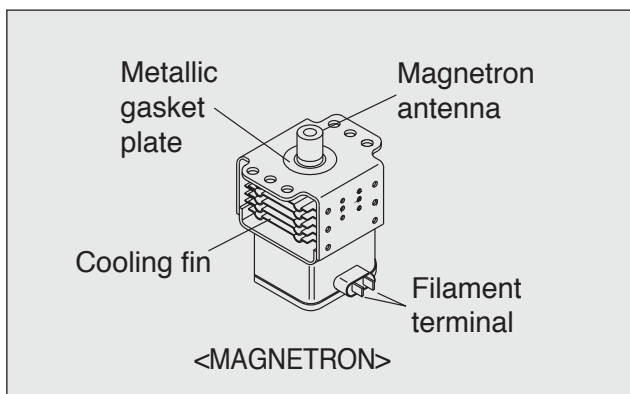


7. To remove magnetron.

- (1) Remove a screw which secure the magnetron.
- (2) Remove the magnetron.
- (3) Reverse the above steps for reassembly.

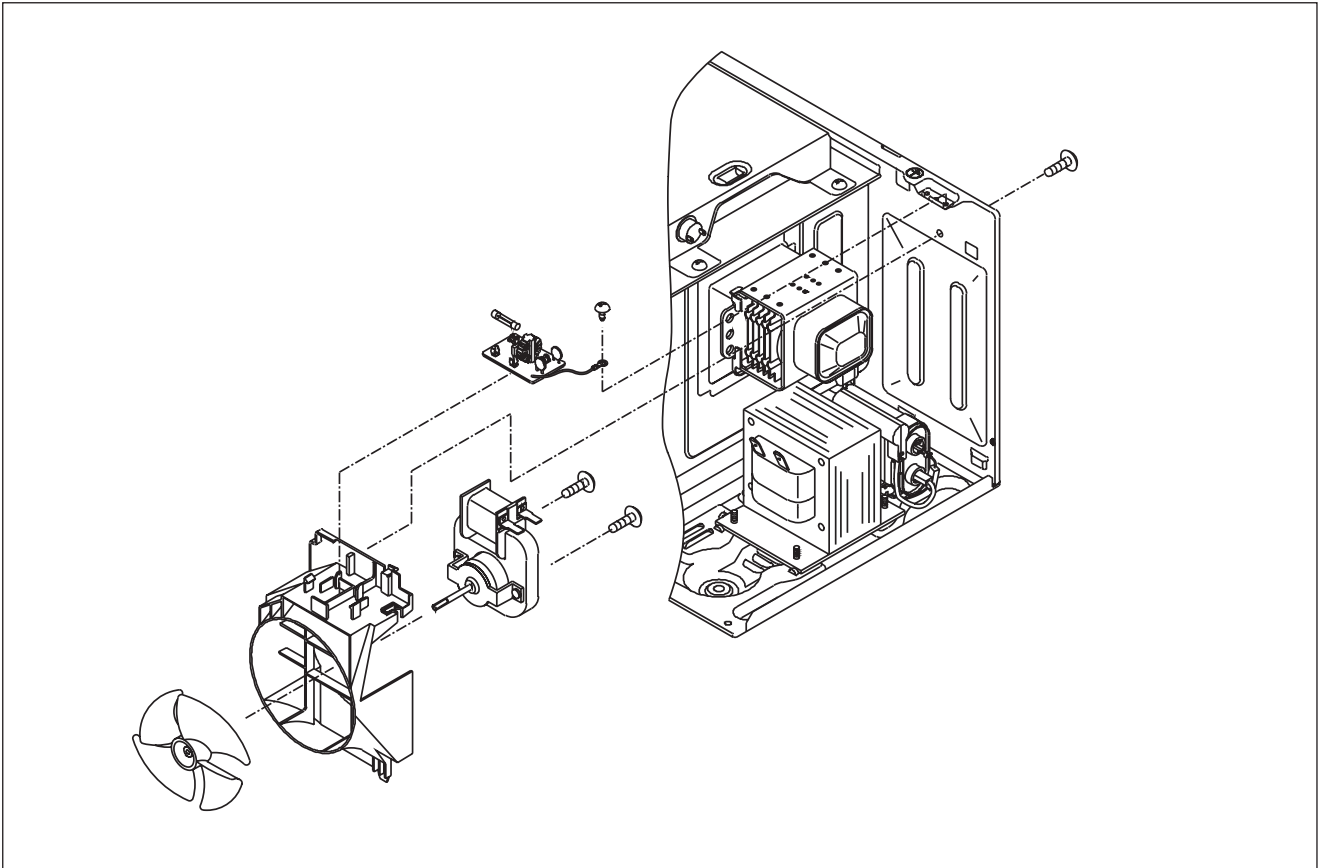


CAUTION : Never install the magnetron without the metallic gasket plate which is packed with each magnetron to prevent microwave leakage. Whenever repair work is carried out on magnetron, check the microwave leakage. It shall not exceed $4\text{mW}/\text{cm}^2$ for a fully assembled oven with door normally closed.



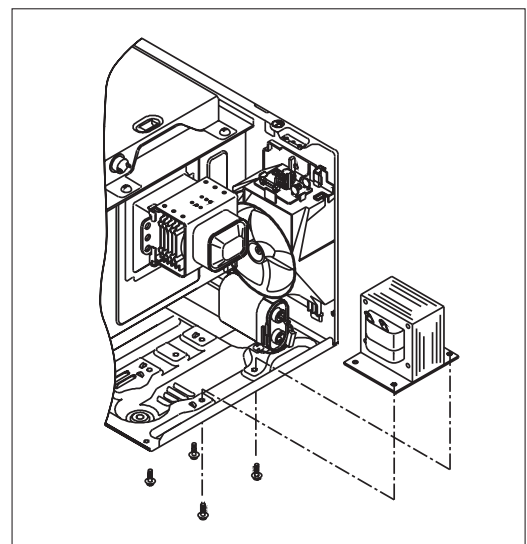
8. To remove wind guide assembly.

- (1) Remove a screw for earthing.
- (2) Remove the noise filter from the wind guide.
- (3) Remove a screw which secure the wind guide assembly.
- (4) Draw forward the wind guide assembly.
- (5) Pull the fan from the motor shaft.
- (6) Remove two screws which secure the motor shaded pole.
- (7) Remove the motor shaded pole.
- (8) Reverse the above steps for reassembly.

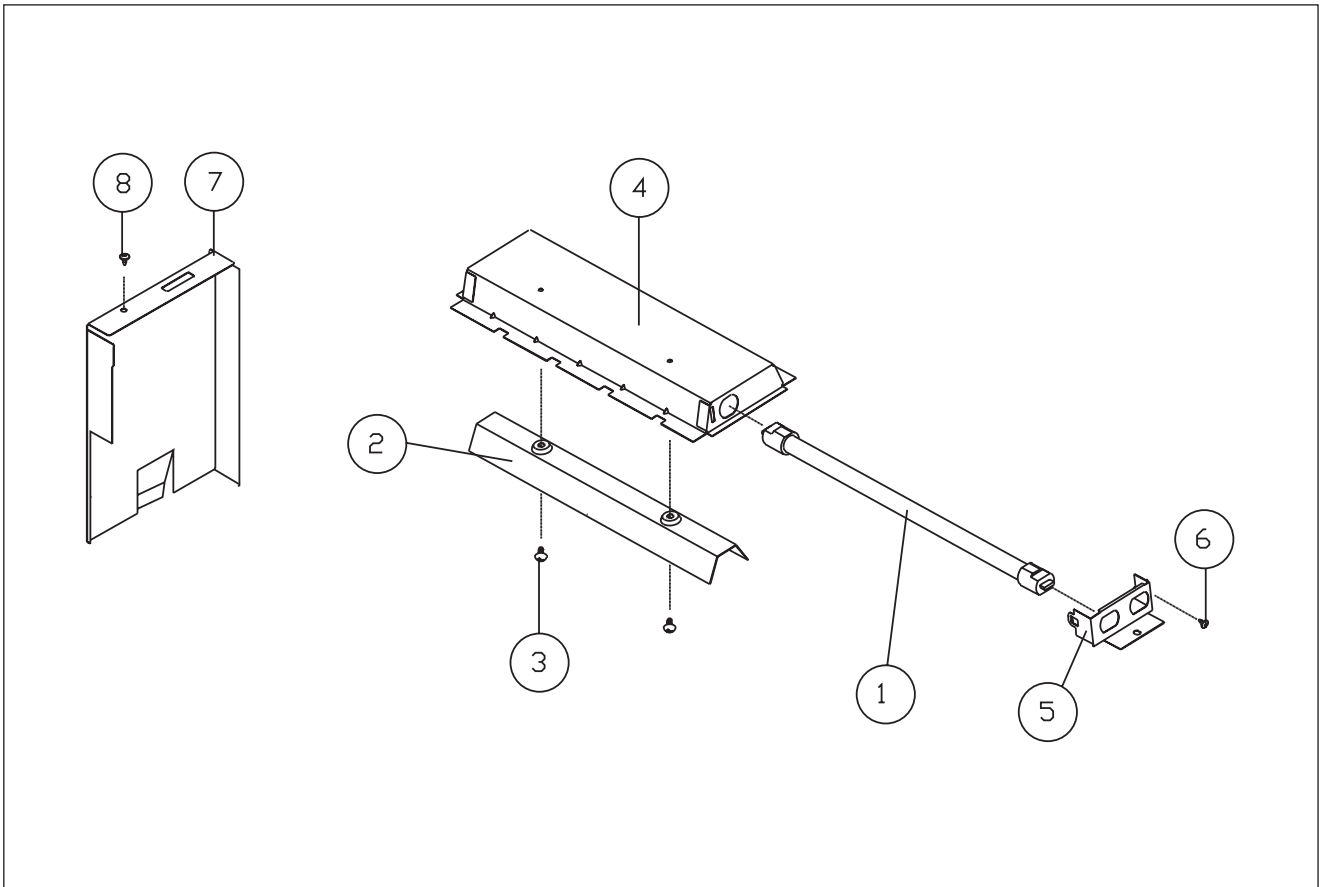


9. To remove H.V.transformer.

- (1) Remove four screws holding the H.V transformer.
- (2) Remove the H.V.transformer.
- (3) Reverse the above steps for reassembly.



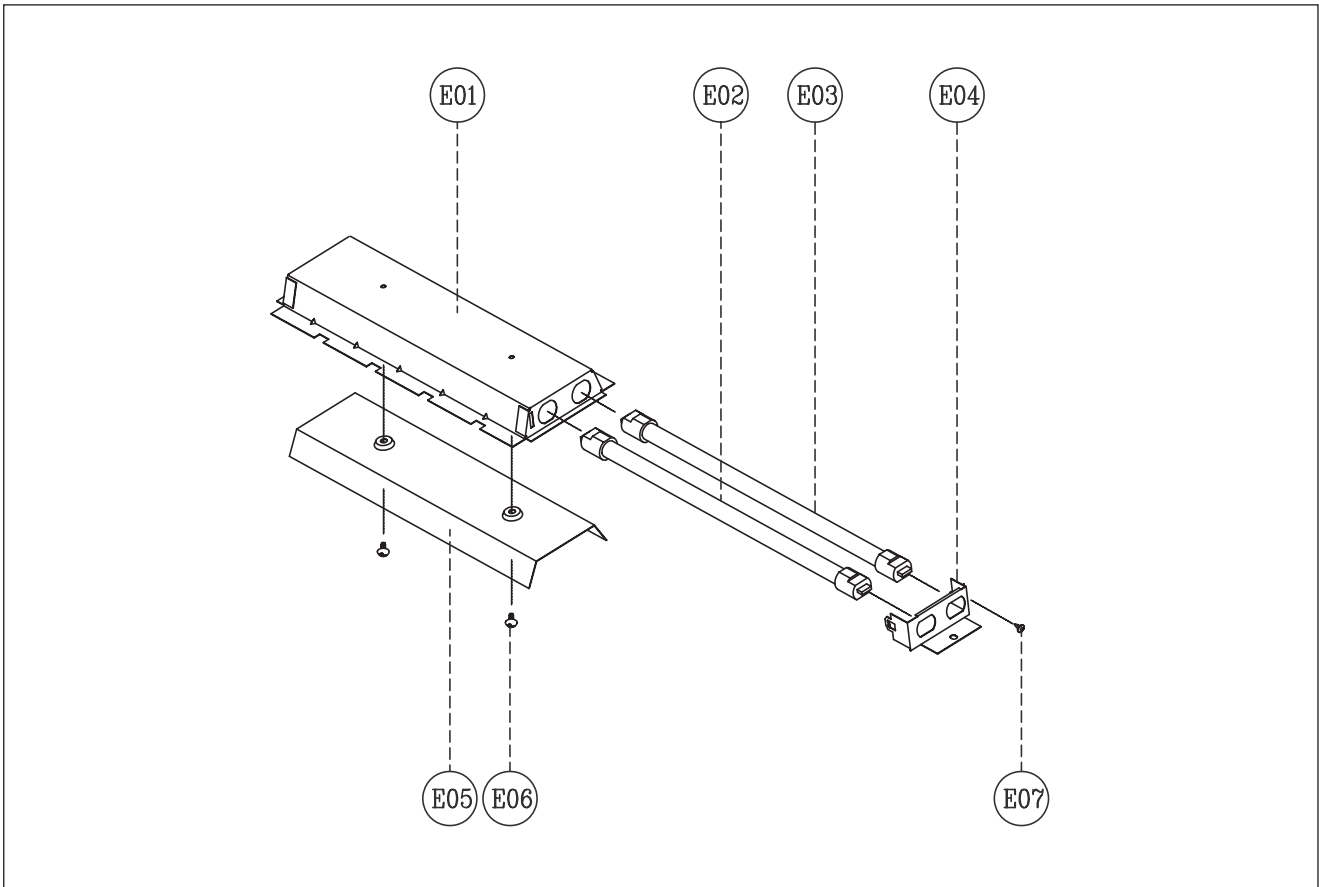
10-1 . To remove Top heater assembly parts. (KOC-8HAT7S / KOC-8HAT7R)



REF. NO	PART CODE	PART NAME	DESCRIPTION	Q'TY	REMARK
1	3512805800	HEATER MIRACLON	230V 800W 270MM	1	
2	3512806900	HEATER REFLECTOR	STS430 T0.5	1	
3	7122408114	SCREW TAPPING	T2S TRS 4X6 MFNI	2	
4	3511414600	COVER HEATER *T	STS 430 2B 0.4T	1	
5	3510607910	BRACKET COVER HEATER	SECC T0.5	1	
6	7112401011	SCREW TAPPING	T1 TRS 4*10 MFZN	1	
7	3512523600	GUIDE AIR OUTLET	SBHG T0.5	1	
8	7112401011	SCREW TAPPING	T1 TRS 4*10 MFZN	1	

- (1) Remove a screw 8 and pull out Guide air outlet 7 .
- (2) Remove screws 6 and pull out braket cover heater 5 .
- (3) Pull out heater miraclon 1 .
- (4) Remove two screws 3 .
- (5) Pull out the heater reflector 2 from cover heater *T 4 .
- (6) Reverse the above steps for reassembly.

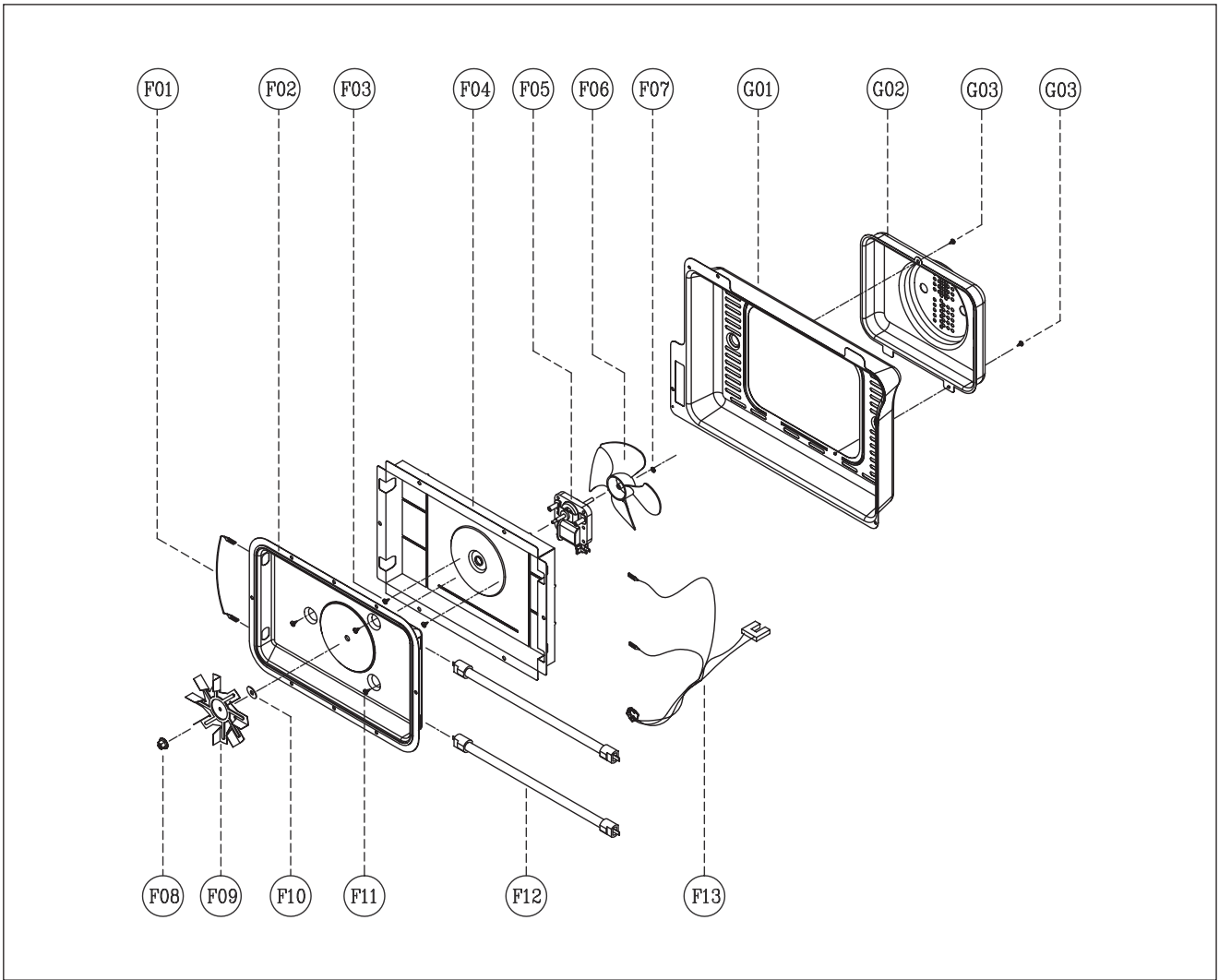
10-2. To remove Top heater assembly parts. (KOC-8HBF7S(7S24) / 8HBF7P24 / 8HAF7R)



REF. NO	PART CODE	PART NAME	DESCRIPTION	Q'TY	REMARK
E00	3512807430	HEATER *T AS	KOC-8H6TKS	1	
E01	3511414700	COVER HEATER *T	STS 430 2B 0.4T	1	
E02	3512803230	HEATER MIRACLON	220V 800W A 270MM	1	KOC-8HBF7P24
	3512805800		230V 800W 270MM		KOC-8HBF7S/8HAF7R
E03	3512803240	HEATER HALOGEN	220V 450W A 270MM	1	KOC-8HBF7P24
	3512809500		230V 450W A 270MM		KOC-8HBF7S/8HAF7R
E04	3510607910	BRACKET COVER HEATER	SECC T0.5	1	
E05	3512807600	HEATER REFLECTOR	STS430 T0.5	1	
E06	7122408114	SCREW TAPPING	T2S TRS 4X6 MFNI	2	
E07	7121400611	SCREW TAPPING	T2S PAN 4X6 MFZN	2	

- (1) Remove screws (E07) and pull out bracket cover heater (E04)
- (2) Pull out heater miraclon (E02) and heater halogen (E03)
- (3) Remove two screws (E06)
- (4) Pull out the heater reflector (E05) from cover heater *T (E01)
- (5) Reverse the above steps for reassembly.

11. To remove Rear heater assembly parts.

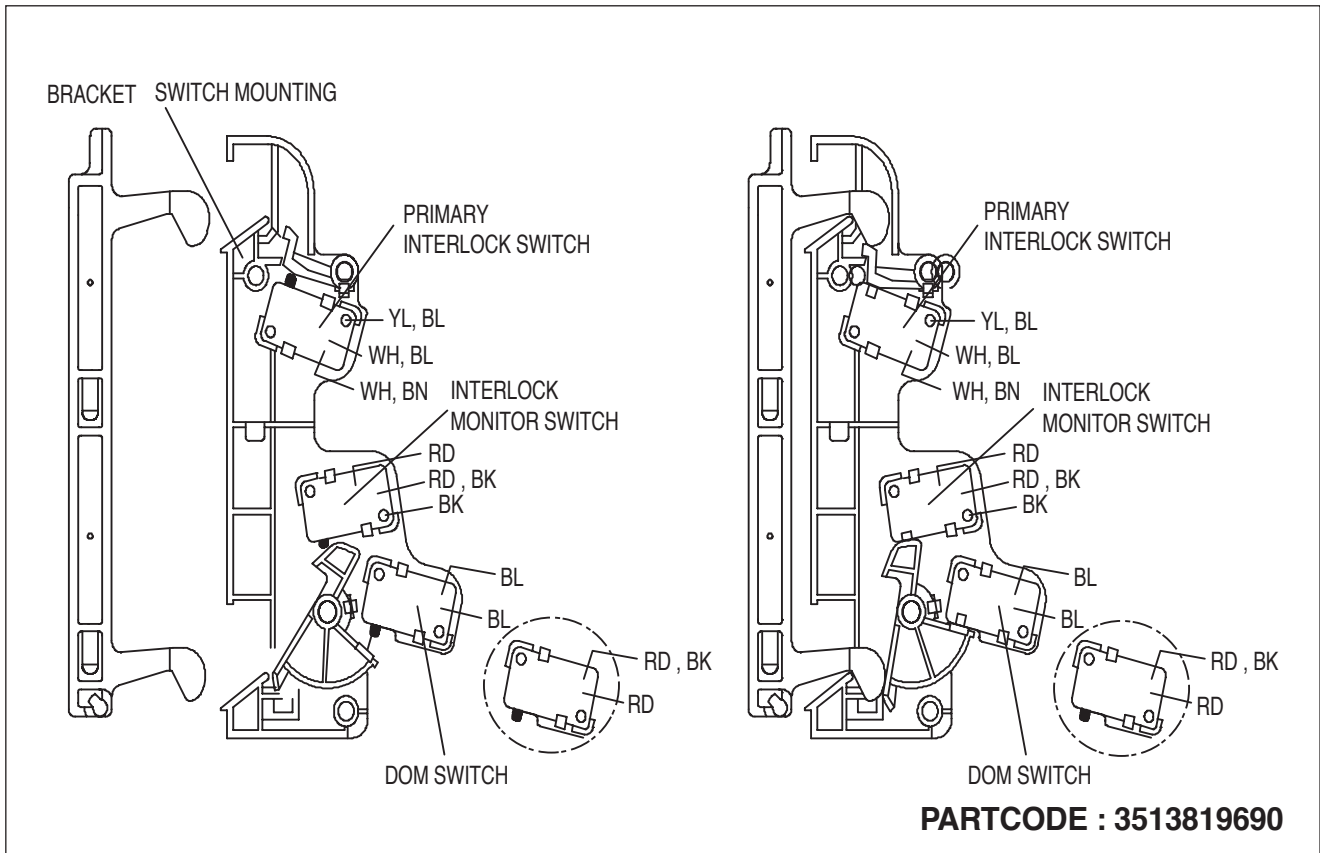


REF. NO	PART CODE	PART NAME	DESCRIPTION	Q'TY	REMARK
F00	3512807520	HEATER *B AS	KOC-8HBTKC	1	KOC-8HBF7P24
	3512807500		KOC-8H5T7S		KOC-8HAT7S / 8HAT7R
	3512809600		KOC-8HBF7S		KOC-8HAF7R
F01	3512782610	HARNESS CONVECTION *B	KOC-8H5T7S	1	
F02	3511412500	COVER HEATER *B	SA1D-80 T0.5	1	
F03	7601400811	SCREW MACHINE	PAN 4X8 PW MFZN	2	
F04	3513303900	INSULATOR HEATER *B	SBHG-1 T0.6	1	
F05	3963514330	MOTOR SHADED POLE	230V 50HZ MW10CA-T03	1	KOC-8HAT7S / 8HAT7R
	3963324370		OEM-15DWB1-T02 220V/60HZ		KOC-8HBF7P24
	3963517000		OEM-15DWC2-T02 230V/50HZ		KOC-8HBF7S/ 8HAF7R
F06	3511800900	FAN	PBT	1	KOC-8HAT7S / 8HAT7R
	3511801600				KOC-8HBF7P24/ 8HAF7R
F07	7402704600	RING C	CR-5 SK5	1	
F08	7S627W40X1	NUT HEX	NUT FLANGE M4X0.7P MFZN	1	
F09	3511800700	FAN CONVECTION	SA1D-80 T0.5	1	
F10	7400104011	WASHER PLAIN	PW-1-4 MFZN	1	
F11	7113400814	SCREW TAPPING	T1 TRS 4X8 MFZNNI	3	KOC-8HAT7S / 8HAT7R
	7112400816				KOC-8HBF7P24/8HAF7R
F12	3512807310	HEATER QUARTZ	115V 500W 240MM A	2	KOC-8HAT7S / 8HAT7R / 8HAF7R
	3512807320		110V 500W A 240MM		KOC-8HBF7P24
F13	3512782600	HARNESS CONVECTION *A	KOC-8H5T7S	1	
G00	3511413000	COVER *B AS	KOC-8H5T7S	1	
G01	3511412600	COVER *B	SBHG-3 T0.4	1	
G02	3511410500	COVER MOTOR *B	SBHG-3 T0.4	1	
G03	7272400811	SCREW TAPTITE	TT3 TRS 4X8 MFZN	2	

- (1) Remove a screw (G03) and pull out Cover motor *B (G02).
- (2) Remove a screw (G03) and pull out Cover *B (G01).
- (3) Pull out the Harness convection-A (F13) and Harness convection-B (F01).
- (4) Remove four screws and then pull out the Rear heater assembly.
- (5) Remove a Nut (F08) and the pull out the Fan convection (F09).
- (6) Remove three screws (F11) and then separate the Cover heater *B (F02) and the Insulator heater *B (F04).
- (7) Pull out the Heater (F12) from the Cover Heater *B (F02).
- (8) Remove two screw (F03) and then separate the Insulator heater *B (F04) and Motor shaded pole (F05).
- (9) Remove the C-Ring (F07) and then pull out the Fan (F06) from Motor shaft.
- (10) Reverse the above steps for reassembly.

7. INTERLOCK MECHANISM AND ADJUSTMENT

The door lock mechanism is a device which has been specially designed to completely eliminate microwave radiation when the door is opened during operation, and thus to perfectly prevent the danger resulting from the leakage of microwave.



(1) Primary interlock switch

When the door is closed, the hook locks the oven door. If the door is not closed properly, the oven will not operate.

When the door is closed, the hook pushes the button of the microswitch. Then the button of the primary interlock switch bring it under ON condition. (No position)

(2) DOM switch and interlock monitor switch

When the door is closed, the hook pushes the lock lever downward. The lock lever presses the button of the interlock monitor switch to bring it under OFF condition (No position) and presses the button of the DOM switch to bring it under ON condition. (No position)

ADJUSTMENT :

Interlock monitor switch

When the door is closed, the interlock monitor switch should be opened (No position) before other switches are closed.

When the door is opened, the interlock monitor switch should be closed (No position) after other switches are opened.

(3) Adjustment steps

- Loosen the one mounting screw.
- Adjust interlock switch assembly position.
- Make sure that lock lever moves smoothly after adjustment is completed.
- Tighten completely two mounting screws.

NOTE :

Microwave emission test should be performed after adjusting interlock mechanism.

If the microwave emission exceed $4\text{mW}/\text{cm}^2$, readjust interlock mechanism.

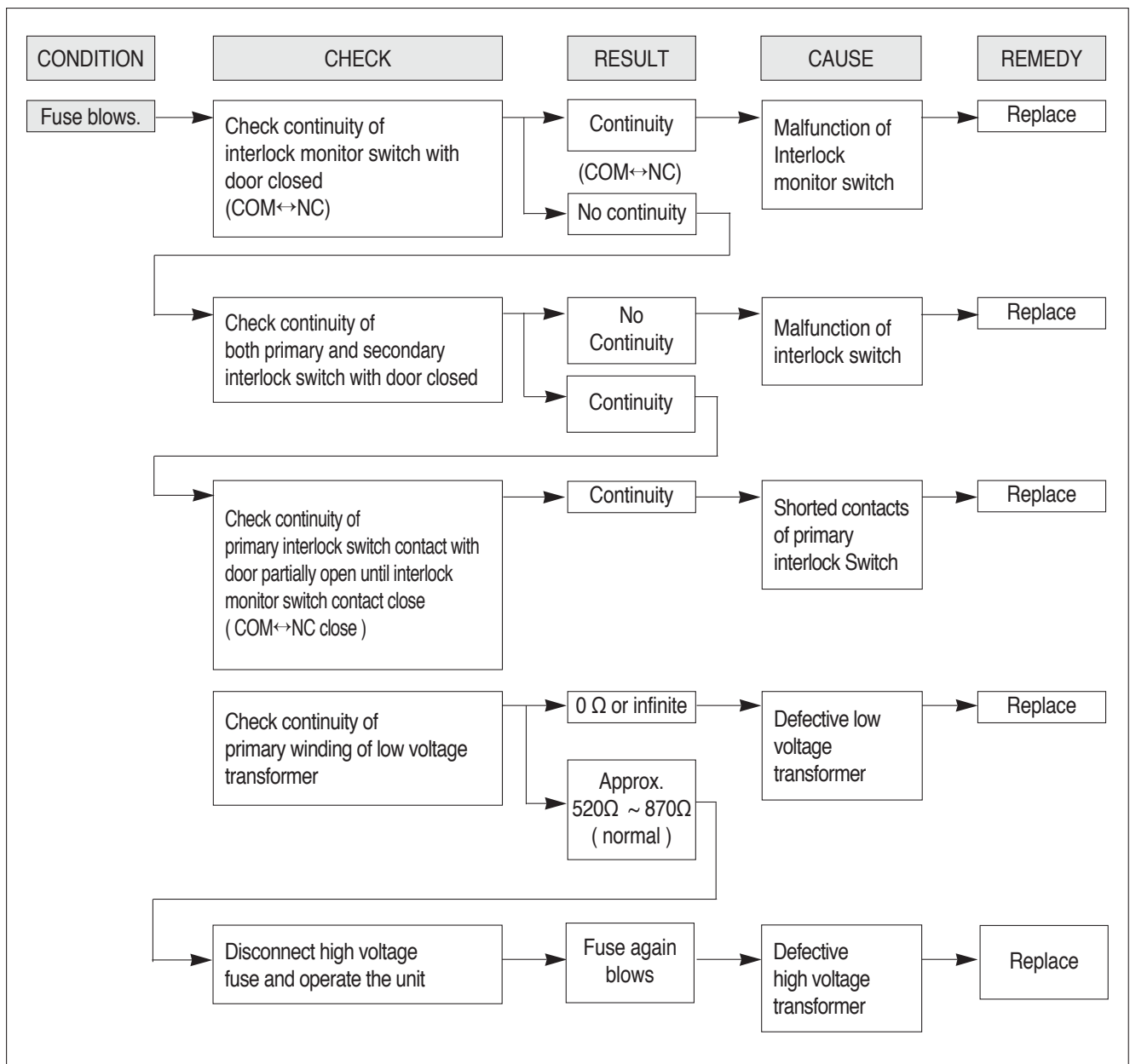
8. TROUBLESHOOTING GUIDE

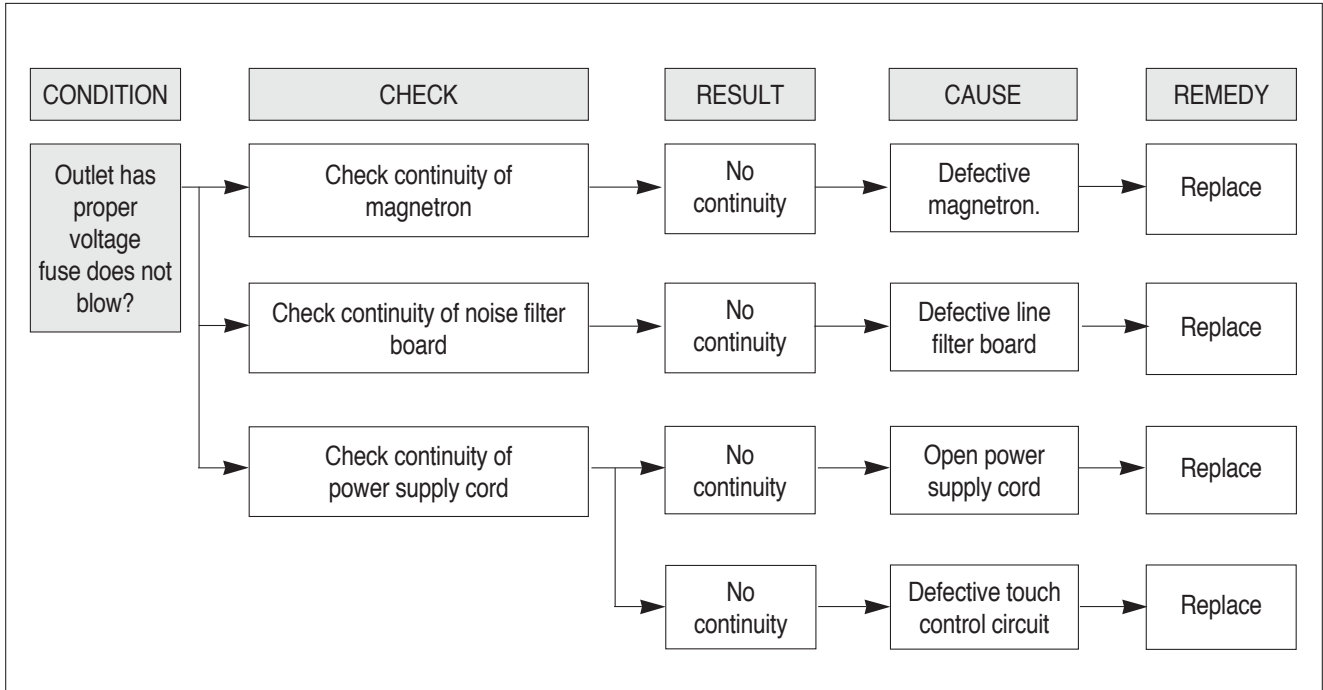
Following the procedure below to check if the oven is defective or not.

- 1) Check grounding before trouble checking.
- 2) Be careful of the high voltage circuit.
- 3) Discharge the high voltage capacitor.
- 4) When checking the continuity of the switches, fuse or high voltage transformer, disconnect one load wire from these parts and check continuity with the AC plug removed. To do otherwise may result in a false reading or damage to your meter.

NOTE : When electric parts are checked, be sure the power cord is not inserted the wall outlet.
 Check wire harness, wiring and connection of the terminals and power cord before check the parts listed below.

(TROUBLE 1) Oven does not operate at all : any inputs can not be accepted.

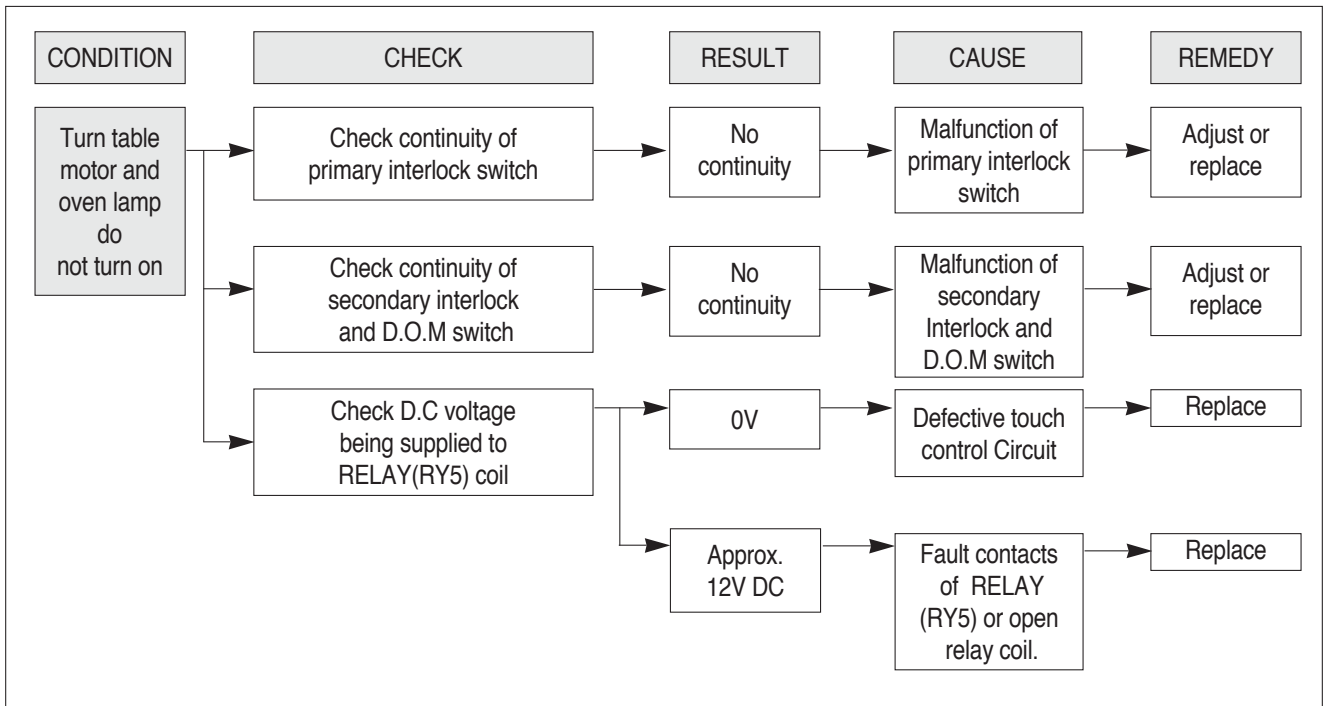




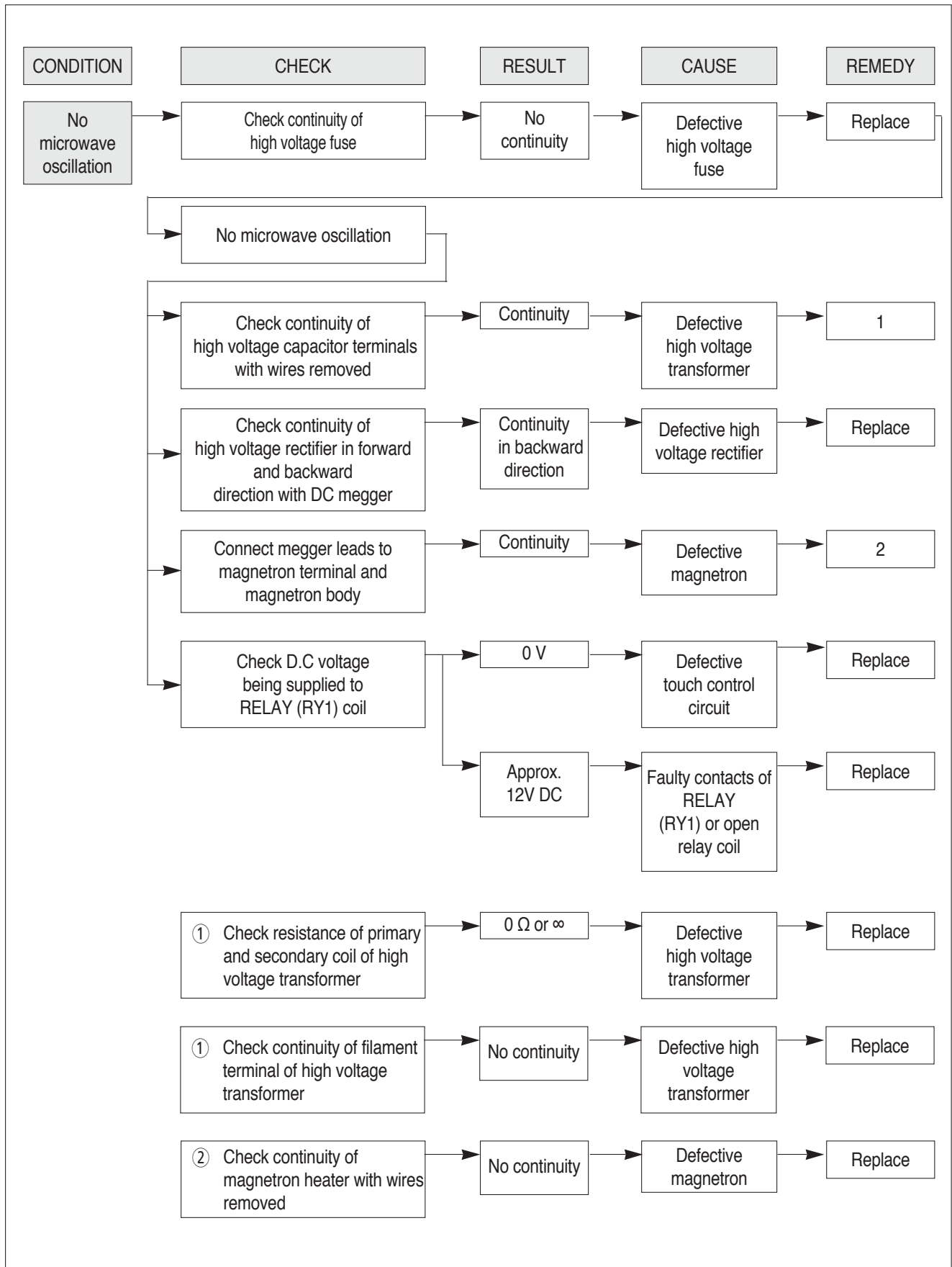
NOTE : All these switches must be replaced at the same time, please refer to (7.Interlock mechanism and adjust) for adjustment instructions

(TROUBLE 2)

Display shows all figures selected, but oven does not start cooking, even though desired program and time are set and start button is tapped.

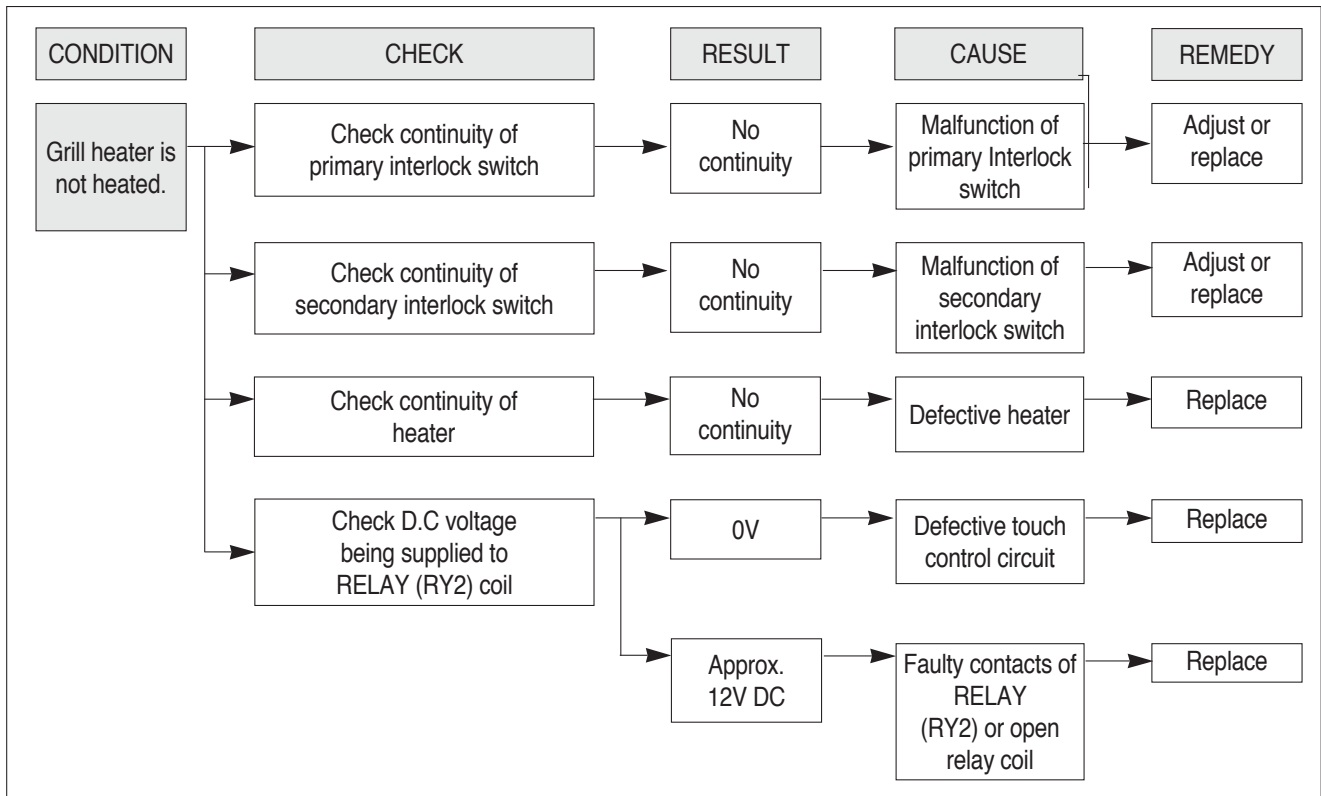


TROUBLE 3) No microwave oscillation even though fan motor rotates.



(TROUBLE 4)

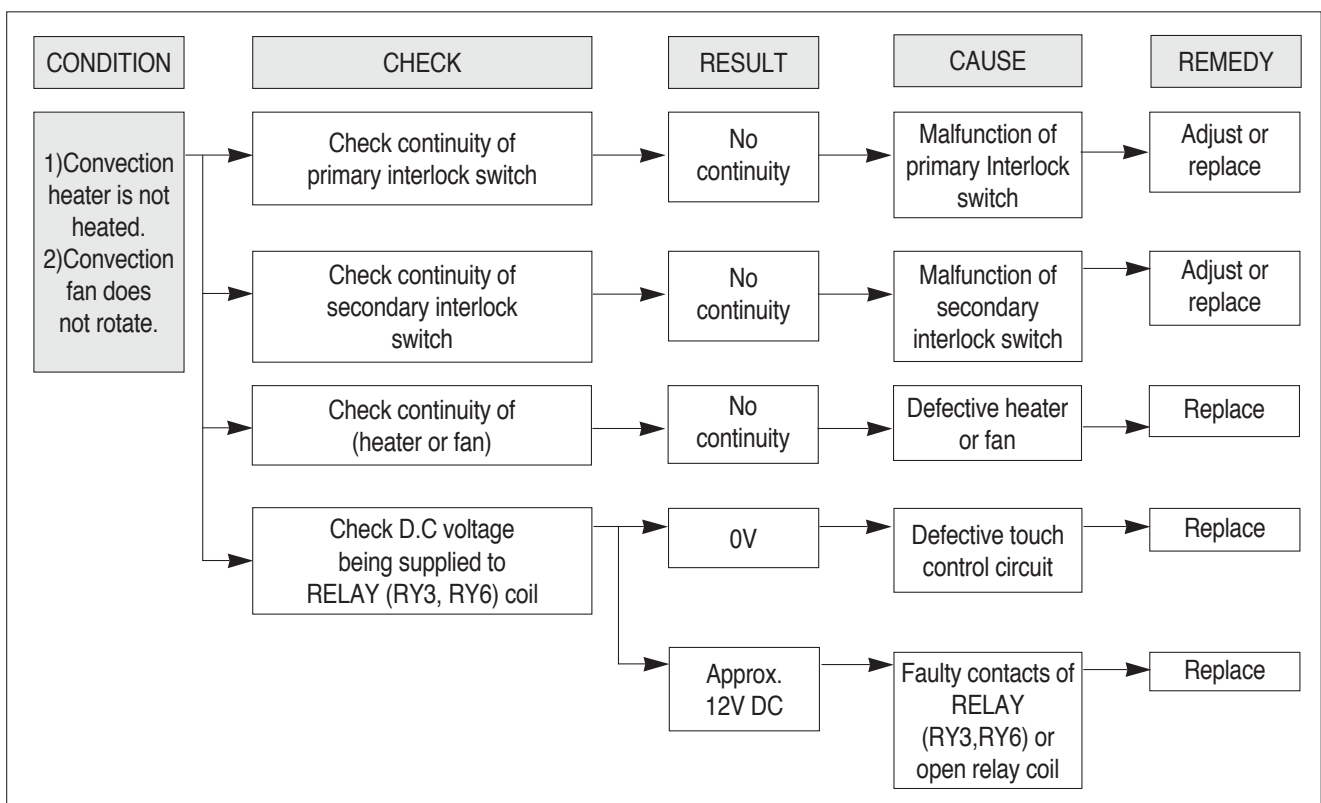
Grill heater (upper heater) is not heated; food will not become hot.



(TROUBLE 5)

1) Convection heater is not heated; food will not become hot.

2) Convection fan motor does not rotate.

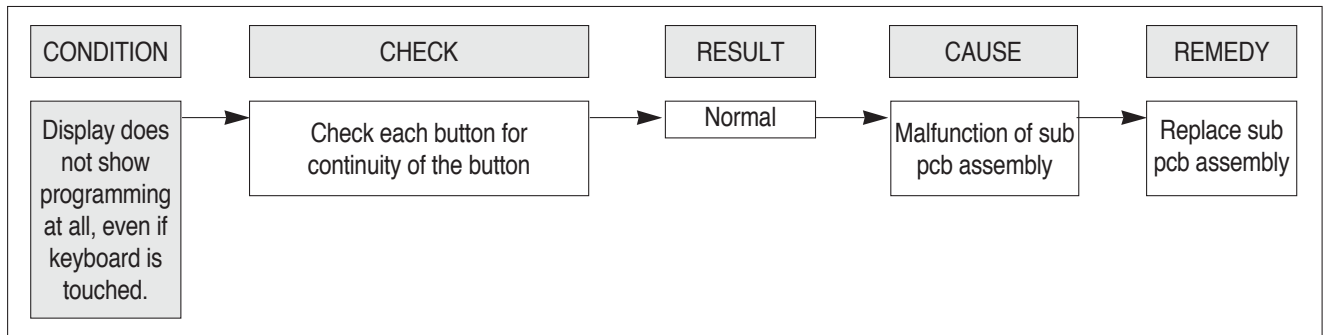


(TROUBLE 6)

The following visual conditions indicate a probable defective touch control Circuit or button P.C.B. assembly

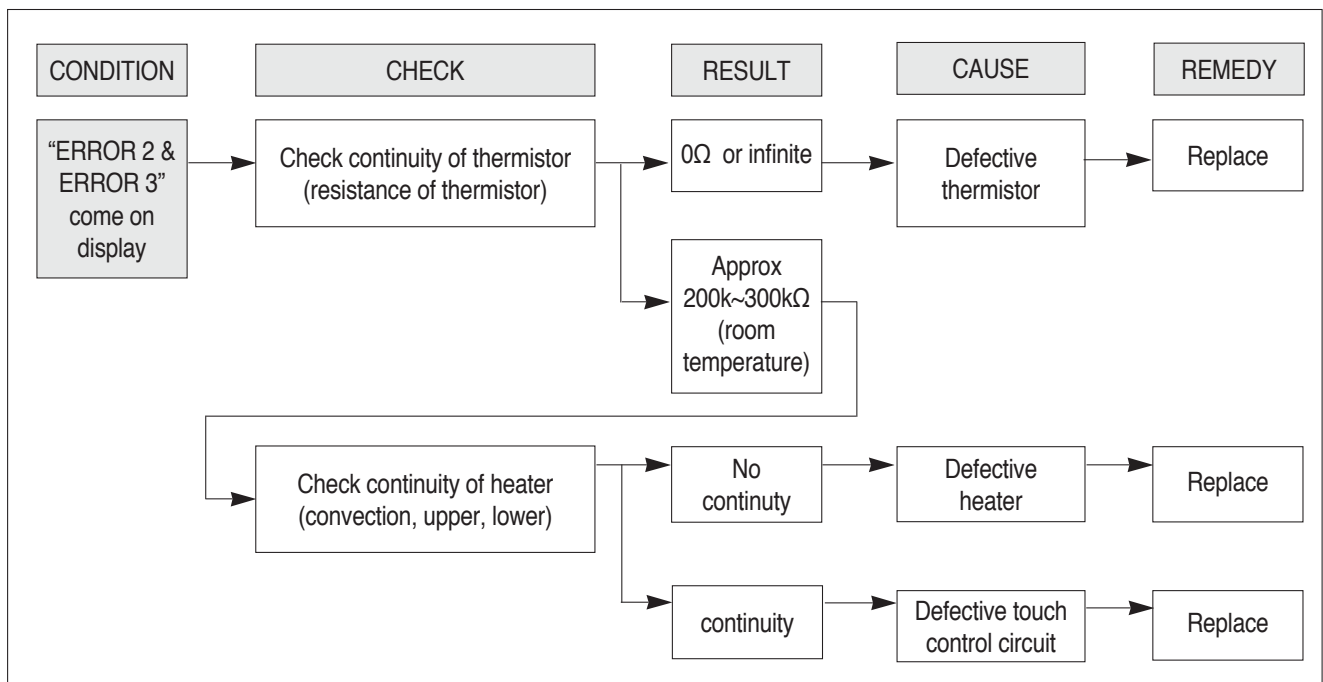
1. Incomplete segments.
 - 1) segment missing
 - 2) partial segments missing
 - 3) digit flickering other than normal fluorescent slight flickering
2. A distinct change in the brightness of one or more numbers exists in the display
3. One or more digits in the display are not on when they should be.
4. Display does not count down or up with time cooking or clock operation.
5. Oven is programmable and cooks normally but no display shows.
6. Display obviously jumps in time while counting down.
7. Display counts down noticeably too fast while cooking.
8. Display does not show the time of day when clear button is touched.
9. Oven lamp and turn table motor do not stop although cooking is finished.

Check if the RELAY(RY4)contacts close and if they are close,replace touch control circuit.



(TROUBLE 7)

When "ERROR 2 ERROR 3" come on display.



9. MEASUREMENT AND TEST

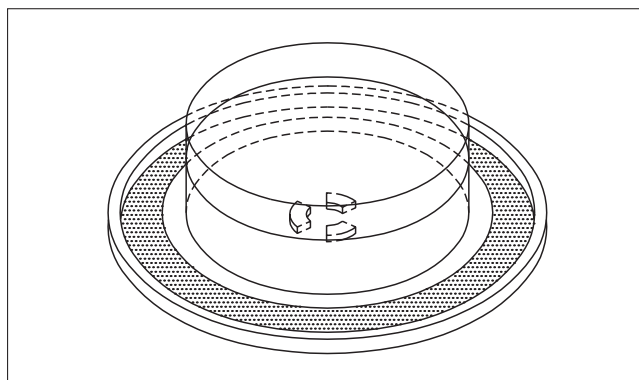
1. MEASUREMENT OF THE MICROWAVE POWER OUTPUT

Microwave output power can be checked by indirectly measuring the temperature rise of a certain amount of water exposed to the microwave as directed below.

PROCEDURE

1. A cylindrical container of borosilicate glass is used for the test. It has a maximum thickness of 3mm, an external diameter of approximately 190mm and a height of approximately 90mm. The mass of the container is determined.
2. At the start of the test, the oven and the empty container are at ambient temperature. Water having an initial temperature of $10^{\circ}\text{C} \pm 1^{\circ}\text{C}$ is used for the test. The water temperature is measured immediately before it is poured into the container.
3. A quantity of 1000g \pm 5g of water is added to the container and its actual mass obtained.

The container is then immediately placed in the centre of the oven shelf, which is in its lowest normal position. The oven is operated and the time for the water temperature to attain $20^{\circ}\text{C} \pm 2^{\circ}\text{C}$ is measured. The oven is then switched off and the final water temperature is measured within 60s.



NOTE 1 - The water stirred is before its temperature is measured.

NOTE 2 - Stirring and measuring devices are to have a low heat capacity.

4. The microwave power output is calculated from the formula

$$P = 4,187 \cdot m_w (T_2 - T_1) + 0.55 \cdot m_c (T_2 - T_0) / t$$

where

P is the microwave power output, in watts ;

m_w is the mass of the water, in grams ;

m_c is the mass of the container, in grams ;

T_0 is ambient temperature, in degrees Celsius ;

T_1 is the initial temperature of the water, in degree Celsius ;

T_2 is the final temperature of the water, in degrees Celsius ;

t is the heating time, in seconds, excluding the magnetron filament heating-up time.

*** The microwave power output is stated in watts, rounded off to the nearest 50W**

CAUTION

1. Water load should be measured exactly to 1 liter.
2. Input power voltage should be exactly specified voltage (Refer to SPECIFICATIONS).
3. Ambient temperature should be $20 \pm 2^{\circ}\text{C}$ ($68 \pm 3.6^{\circ}\text{F}$)

*** Heating time for power output: ($T_2 = T_0$)**

A (second)	70	64	60	56	52	49	47	44	42	40	38
B (W)	600	650	700	750	800	850	900	950	1000	1050	1100

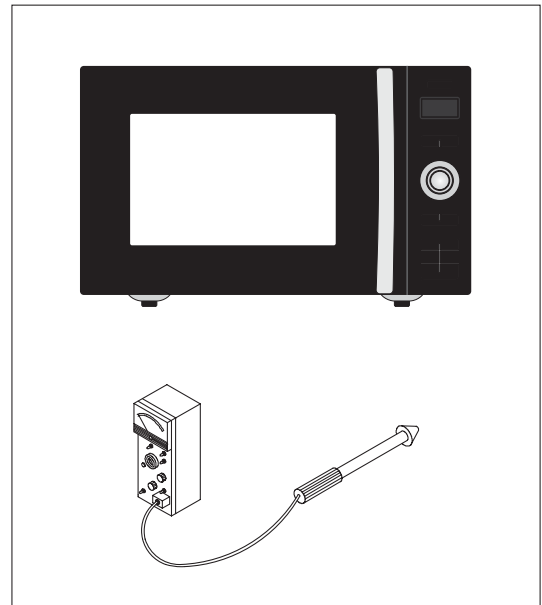
2. MICROWAVE RADIATION TEST

WARNING

1. Make sure to check the microwave leakage before and after repair of adjustment.
2. Always start measuring of an unknown field to assure safety for operating personnel from microwave energy.
3. Do not place your hands into any suspected microwave radiation field unless the safe density level is known.
4. Care should be taken not to place the eyes in direct line with the source of microwave energy.
5. Slowly approach the unit under test until the radiometer reads an appreciable microwave leakage from the unit under the test.

PROCEDURE

1. Prepare Microwave Energy Survey Meter, 600cc glass beaker, and glass thermometer 100°C (212°F).
2. Pour 275cc \pm 15cc of tap water initially at 20 \pm 5°C (68 \pm 9°F) in the 600 cc glass beaker with an inside diameter of approx. 95 mm(3.5 in.).
3. Place it at the center of the tray and set it in a cavity.
4. Close the door and operate the oven.
5. Measure the leakage by using Microwave Energy Survey Meter with dual ranges, set to 2450MHz.
 - 1) Measured radiation leakage must not exceed the value prescribed below. Leakage for a fully assembled oven with door normally closed must be less than 4mW/Cm².
 - 2) When measuring the leakage, always use the 5 cm (2 in.) space cone with probe. Hold the probe perpendicular to the cabinet and door. Place the space cone of the probe on the door, cabinet, door seem, door viewing screen, the exhaust air vents and the suction air vents.
 - 3) Measuring should be in a counter-clockwise direction at a rate of 1 in./sec. If the leakage of the cabinet door seem is unknown, move the probe more slowly.
 - 4) When measuring near a corner of the door, keep the probe perpendicular to the areas making sure the probe end at the base of the cone does not get closer than 2 in. from any metal. If it does not, erroneous reading may result.



3. COMPONENT TEST PROCEDURE

- High voltage is present at the high voltage terminal of the high voltage transformer during any cooking cycle.
- It is neither necessary nor advisable to attempt measurement of the high voltage.
- Before touching any oven components or wiring, always unplug the oven from its power source and discharge the capacitor.

1. High voltage transformer

- 1) Remove connections from the transformer terminals and check continuity.
- 2) Normal readings should be as follows :
 - Secondary winding ... Approx. $146 \Omega \pm 10\%$
 - Filament winding ... Approx. 0Ω
 - Primary winding ... Approx. 2Ω

2. High voltage capacitor

- 1) Check continuity of capacitor with meter on the highest OHM scale.
- 2) A normal capacitor will show continuity for a short time, and then indicate $10M\Omega$ once the capacitor charged.
- 3) A shorted capacitor will show continuous continuity.
- 4) An open capacitor will show constant $10M\Omega$.
- 5) Resistance between each terminal and chassis should be infinite.

3. High voltage diode

- 1) Isolate the diode from the circuit by disconnecting the leads.
- 2) With the ohmmeter set on the highest resistance scale measure the resistance across the diode terminals. Reverse the meter leads and again observe the resistance reading. Meter with 6V, 9V or higher voltage batteries should be used to check the front-back resistance of the diode, otherwise an infinite resistance may be read in both directions. A normal diode's resistance will be infinite in one direction and several hundred k Ω in the other direction.

4. Magnetron

For complete magnetron diagnosis, refer to "Measurement of the Microwave Power Output." Continuity checks can only indicate an open filament or a shorted magnetron. To diagnose for an open filament or a shorted magnetron,

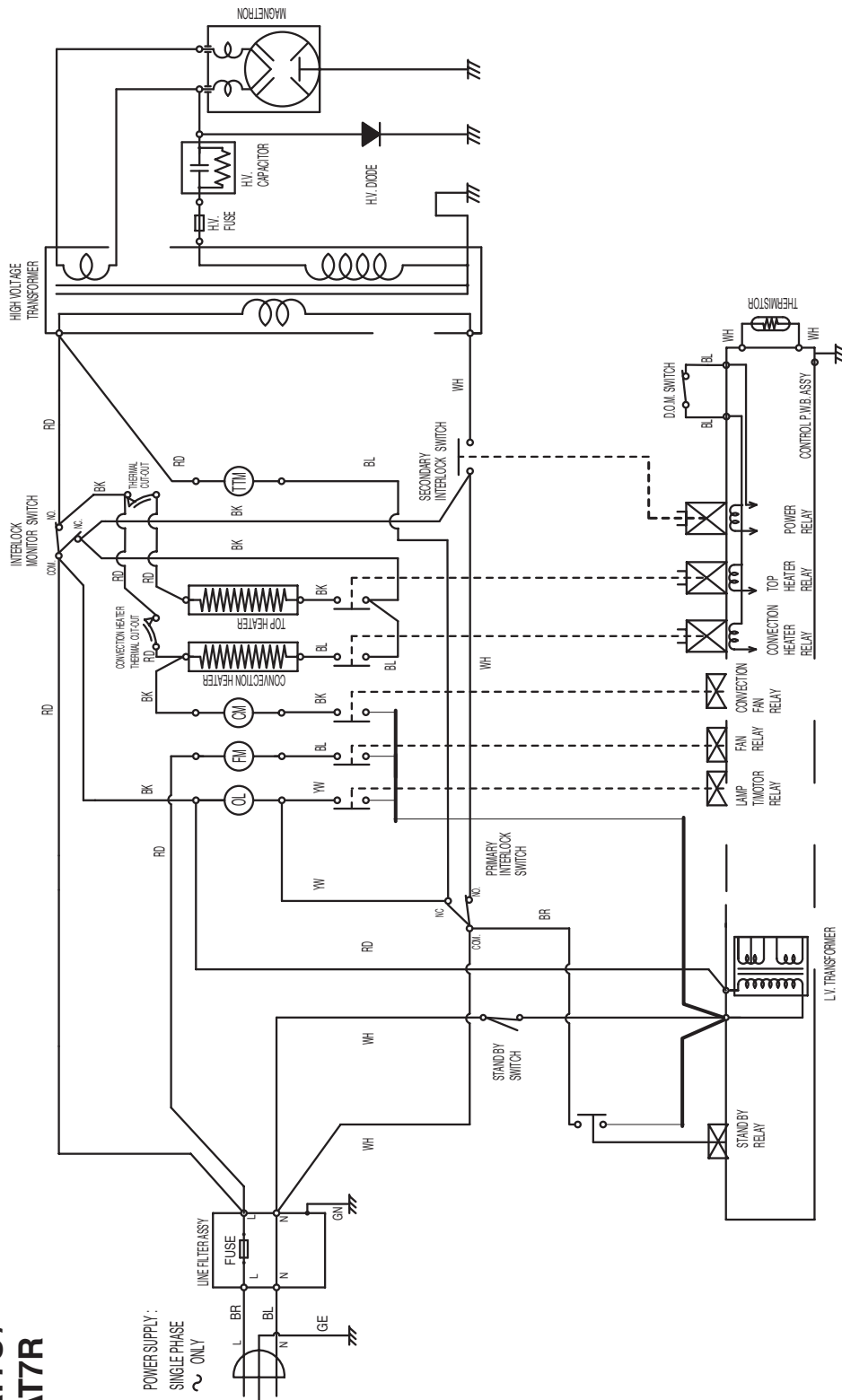
- 1) Isolate magnetron from the circuit by disconnecting the leads.
- 2) A continuity check across magnetron filament terminals should indicate 0.1Ω or less.
- 3) A continuity check between each filament terminal and magnetron case should read open.

5. Fuse

If the fuse in the primary and monitor switch circuit is blown when the door is opened, check the primary and monitor switch before replacing the blown fuse. In case the fuse is blown by an improper switch operation, replace the defective switch and fuse at the same time. Replace just the fuse if the switches operate normally.

10-1. WIRING DIAGRAM

KOC-8HAT7S / KOC-8HAT7R



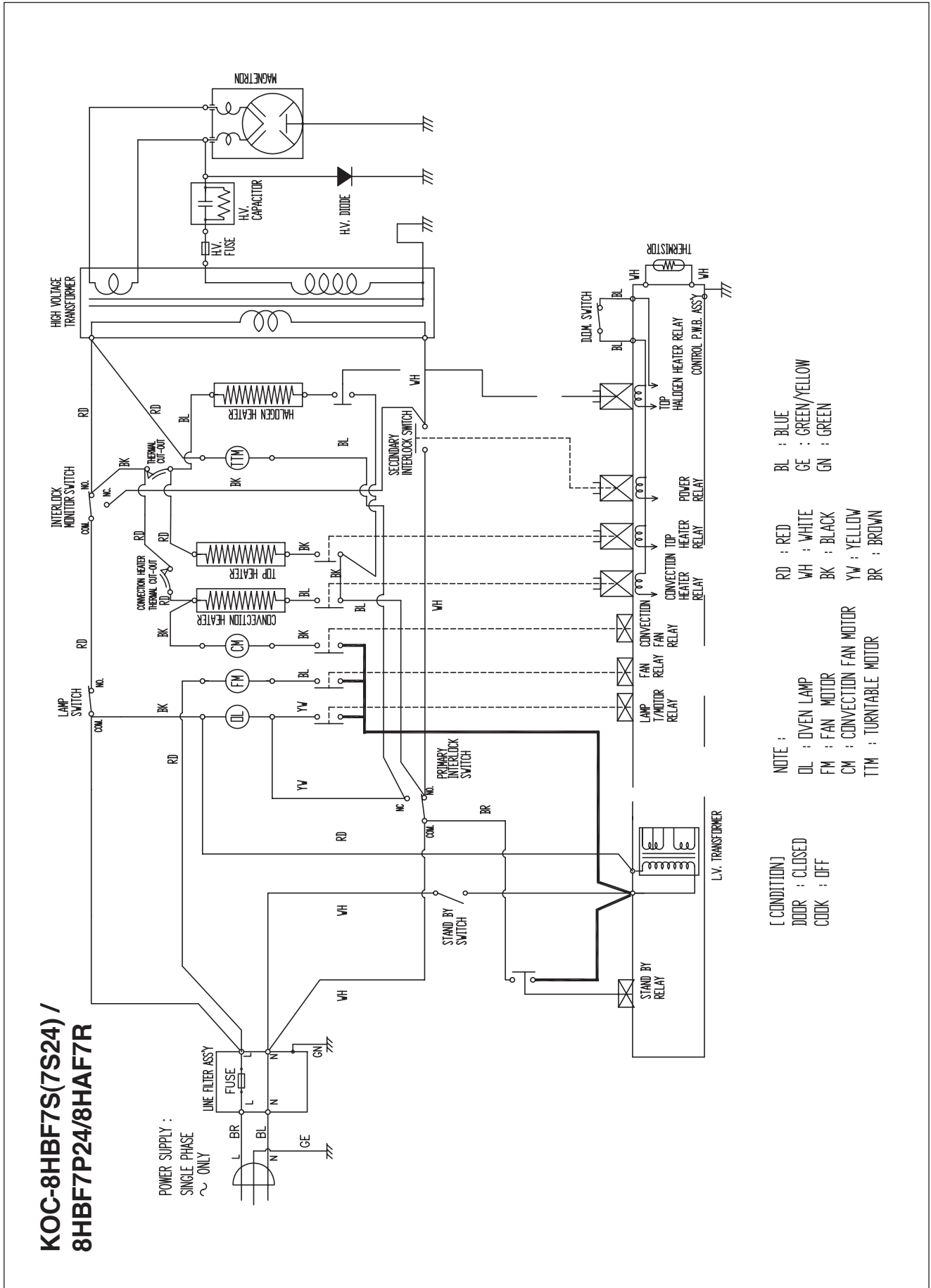
[CONDITION]
DOOR : CLOSED
COOK : OFF

NOTE :
OL : OVEN LAMP
FM : FAN MOTOR
CM : CONVECTION FAN MOTOR
TTM : TURNTABLE MOTOR

RD : RED
WH : WHITE
BK : BLACK
YW : YELLOW
BR : BROWN

BL : BLUE
GE : GREEN/YELLOW
GN : GREEN

10-2. WIRING DIAGRAM



11. EXPLODED VIEW AND PARTS LIST

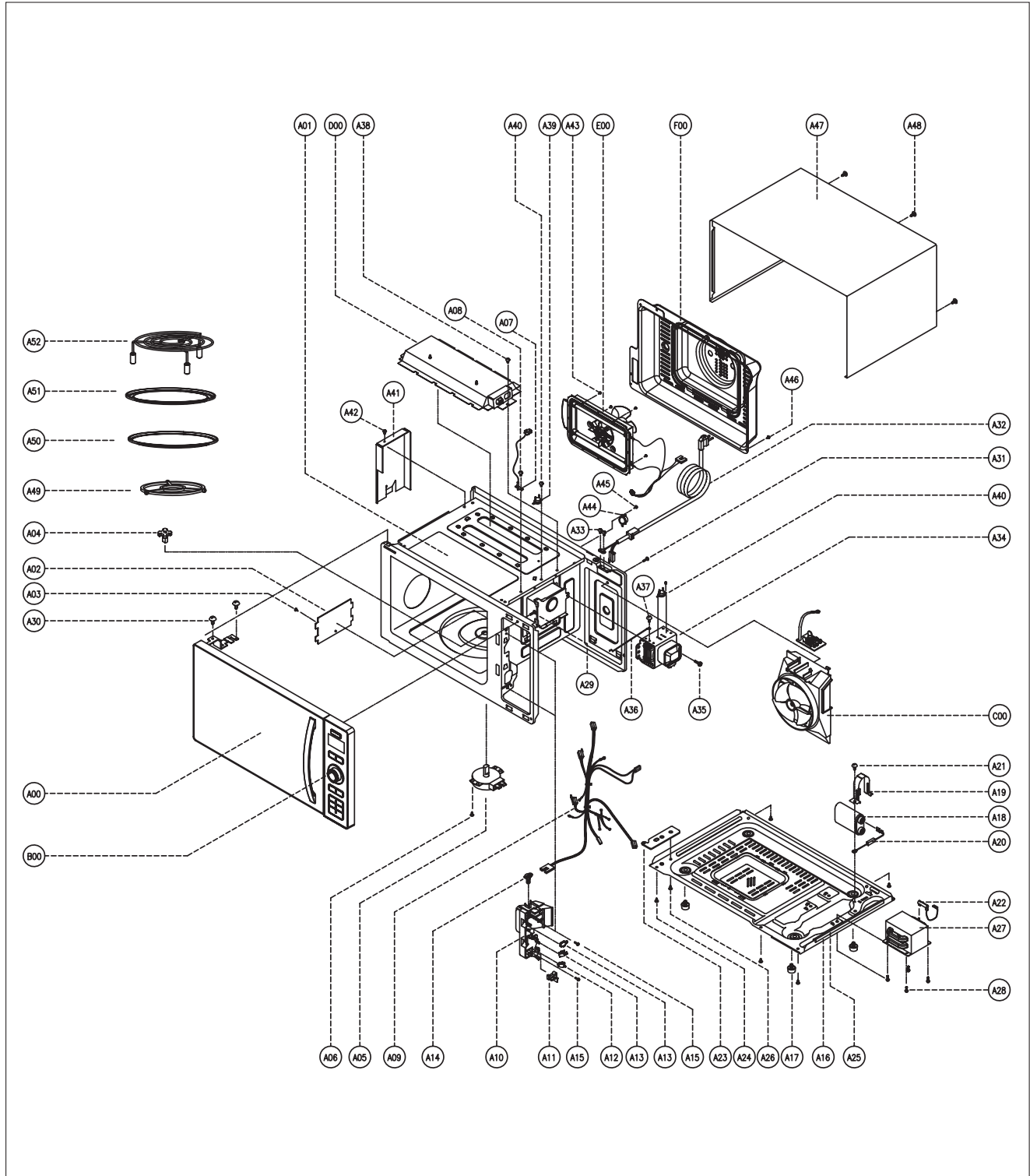
1. DOOR ASSEMBLY

Refer to 6. Disassembly and assembly.

2. CONTROL PANEL ASSEMBLY

Refer to 6. Disassembly and assembly.

3. TOTAL ASSEMBLY



- KOC-8HAT7S

REF. NO	PART CODE	PART NAME	DESCRIPTION	Q'TY
A01	3516118500	CAVITY AS	KOC-8H5T7S	1
A02	3511403800	COVER WAVE GUIDE	MICA T0.35	1
A03	7112400816	SCREW TAPPING	T1 TRS 4X8 MFZNNI	1
A04	3517400610	COUPLER	TEFLON	1
A05	3966031700	MOTOR SYNCRO	220/240V 50/60HZ SM16 HK36M6F6	1
A06	7121400611	SCREW TAPPING	T2S PAN 4X6 MFZN	1
A07	3514801400	SENSOR TEMPERATURE	PTM-K312-D7	1
A08	7S432X4081	SPECIAL SCREW	TT3 TRS 4X8 SE MFZN	1
A09	3512782670	HARNESS MAIN	KOC-8HATKS	1
A10	3513811750	LOCK	CHEIL(FH-44N)	1
A11	3513702620	LEVER LOCK	POM	1
A12	4415A17352	SW MICRO	SZM-V16-FA-63	1
A13	4415A66910	SW MICRO	SZM-V16-FA-61	2
A14	3513601600	LAMP	BL 240V 25W T25 C7A H187	1
A15	7122401211	SCREW TAPPING	T2S TRS 4X12 MFZN	2
A16	3510311000	BASE	SBHG-1 T0.7	1
A17	3512101400	FOOT	DASF-310	4
A18	3518303401	CAPACITOR HV	2100VAC 1.05UF #187	1
A19	3513001900	HOLDER HV CAPACITOR	SECC T0.5	1
A20	3518401300	DIODE HV	CL01-12	1
A21	7272400811	SCREW TAPTITE	TT3 TRS 4X8 MFZN	1
A22	3518701400	FUSE HV	5KV 0.7A	1
A23	3515202800	STOPPER HINGE *U AS	KOR-121M0A	1
A24	7S342X4081	SCREW SPECIAL	T2S TRS 4X8 SE MFZN	1
A25	3517304300	FOAM	CR 15TX150X15	1
A26	7S312X40A1	SCREW SPECIAL	T1 TRS 4X10 SE MFZN	5
A27	3518122830	TRANS HV	DWAR70K0-87T S	1
A28	3516003700	SPECIAL SCREW	TT3 HEX 4X8 FLG MFZN	4
B00	PKCPSWGJ70	CONTROL-PANEL AS	KOC-8HAT7S	1
A29	7122401211	SCREW TAPPING	T2S TRS 4X12 MFZN	1
A00	3511726630	DOOR AS	KOC-8HATKS	1
A30	3516003700	SPECIAL SCREW	TT3 HEX 4X8 FLG MFZN	2
C00	3512527500	GUIDE WIND AS	KOC-8H5T7S	1
A31	7122401211	SCREW TAPPING	T2S TRS 4X12 MFZN	1
A32	35113A5QJ5	CORD POWER AS	3X1.5 80X80 120-RTML 1.4M	1
A33	7S312X40A1	SCREW SPECIAL	T1 TRS 4X10 SE MFZN	2
A34	3518003700	MAGNETRON	2M218JFL 6CF	1
A35	3516004000	SPECIAL SCREW	T2 BOLT FLANGE 5X12 DACRO	1
A36	3515309200	SUPPORTER WIRE	SWRH 2.0	1
A37	7S312X40A1	SCREW SPECIAL	T1 TRS 4X10 SE MFZN	1

REF. NO	PART CODE	PART NAME	DESCRIPTION	Q'TY
D00	3512807400	HEATER *T AS	KOC-8H5T7S	1
A38	7S312X40A1	SCREW SPECIAL	T1 TRS 4X10 SE MFZN	1
A39	3518907400	THERMOSTAT	OFF:160 ON:0 V 187	1
A40	7121400611	SCREW TAPPING	T2S PAN 4X6 MFZN	1
A41	3512523600	GUIDE AIR OUTLET	SBHG T0.5	1
A42	7S312X40A1	SCREW SPECIAL	T1 TRS 4X10 SE MFZN	1
E00	3512807500	HEATER *B AS	KOC-8H5T7S	1
A43	7122400611	SCREW TAPPING	T2S TRS 4X6 MFZN	4
A44	3518907400	THERMOSTAT	OFF:160 ON:0 V 187	1
A45	7121400611	SCREW TAPPING	T2S PAN 4X6 MFZN	1
F00	3511413000	COVER *B AS	KOC-8H5T7S	1
A46	7S312X40A1	SCREW SPECIAL	T1 TRS 4X10 SE MFZN	1
A47	3510806400	CABINET AS	KOC-871C0S	1
A48	7S312X40A1	SCREW SPECIAL	T1 TRS 4X10 SE MFZN	4
A49	3512517100	GUIDE ROLLER AS	KOG-62150S	1
A50	3517210900	TRAY METAL AS	KOC-624S0J	1
A51	3517203600	TRAY	GLASS	1
A52	3517201951	TRAY RACK AS	KOR-17551S 30MM	1

- KOC-8HAT7R

REF. NO	PART CODE	PART NAME	DESCRIPTION	Q'TY
A01	3516118500	CAVITY AS	KOC-8H5T7S	1
A02	3511403800	COVER WAVE GUIDE	MICA T0.35	1
A03	7112400816	SCREW TAPPING	T1 TRS 4X8 MFZNNI	1
A04	3517400610	COUPLER	TEFLON	1
A05	3966031700	MOTOR SYNCRO	220/240V 50/60HZ SM16 HK36M6F6	1
A06	7121400611	SCREW TAPPING	T2S PAN 4X6 MFZN	1
A07	3514801400	SENSOR TEMPERATURE	PTM-K312-D7	1
A08	7S432X4081	SPECIAL SCREW	TT3 TRS 4X8 SE MFZN	1
A09	3512782670	HARNESS MAIN	KOC-8HATKS	1
A10	3513811750	LOCK	CHEIL(FH-44N)	1
A11	3513702620	LEVER LOCK	POM	1
A12	4415A17352	SW MICRO	VP-533A-OF SPNO #187 200G	1
A13	4415A66910	SW MICRO	VP-531A-OF/SZM-V16-FA-61	2
A14	3513601600	LAMP	BL 240V 25W T25 C7A H187	1
A15	7122401211	SCREW TAPPING	T2S TRS 4X12 MFZN	2
A16	3510311000	BASE	SBHG-1 T0.7	1
A17	3512101400	FOOT	DASF-310	4
A18	3518303401	CAPACITOR HV	2100VAC 1.05UF #187	1
A19	3513001900	HOLDER HV CAPACITOR	SECC T0.5	1
A20	3518401300	DIODE HV	CL01-12	1
A21	7272400811	SCREW TAPTITE	TT3 TRS 4X8 MFZN	1
A22	3518701400	FUSE HV	5KV 0.7A	1
A23	3515202800	STOPPER HINGE *U AS	KOR-121M0A	1
A24	7S342X4081	SCREW SPECIAL	T2S TRS 4X8 SE MFZN	1
A25	3517304300	FOAM	CR 15TX150X15	1
A26	7S312X40A1	SCREW SPECIAL	T1 TRS 4X10 SE MFZN	5
A27	3518122830	TRANS HV	DWAR70K0-87T S	1
A28	3516003700	SPECIAL SCREW	TT3 HEX 4X8 FLG MFZN	4
B00	PKCPSWGJ90	CONTROL-PANEL AS	KOC-8HAT7R	1
A29	7122401211	SCREW TAPPING	T2S TRS 4X12 MFZN	1
A00	3511726630	DOOR AS	KOC-8HATKS	1
A30	3516003700	SPECIAL SCREW	TT3 HEX 4X8 FLG MFZN	2
C00	3512527510	GUIDE WIND AS	KOC-8H5T7R	1
A31	7122401211	SCREW TAPPING	T2S TRS 4X12 MFZN	1
A32	35113A5QM5	CORD POWER AS	3X1.0 80X80 120-RTML 1.4M	1
A33	7S312X40A1	SCREW SPECIAL	T1 TRS 4X10 SE MFZN	2
A34	3518003700	MAGNETRON	2M218JFL 6CF	1
A35	3516004000	SPECIAL SCREW	T2 BOLT FLANGE 5X12 DACRO	1
A36	3515309200	SUPPORTER WIRE	SWRH 2.0	1
A37	7S312X40A1	SCREW SPECIAL	T1 TRS 4X10 SE MFZN	1

REF. NO	PART CODE	PART NAME	DESCRIPTION	Q'TY
D00	3512807400	HEATER *T AS	KOC-8H5T7S	1
A38	7S312X40A1	SCREW SPECIAL	T1 TRS 4X10 SE MFZN	1
A39	3518907400	THERMOSTAT	OFF:160 ON:0 V 187	1
A40	7121400611	SCREW TAPPING	T2S PAN 4X6 MFZN	1
A41	3512523600	GUIDE AIR OUTLET	SBHG T0.5	1
A42	7S312X40A1	SCREW SPECIAL	T1 TRS 4X10 SE MFZN	1
E00	3512807500	HEATER *B AS	KOC-8H5T7S	1
A43	7122400611	SCREW TAPPING	T2S TRS 4X6 MFZN	4
A44	3518907400	THERMOSTAT	OFF:160 ON:0 V 187	1
A45	7121400611	SCREW TAPPING	T2S PAN 4X6 MFZN	1
F00	3511413000	COVER *B AS	KOC-8H5T7S	1
A46	7S312X40A1	SCREW SPECIAL	T1 TRS 4X10 SE MFZN	1
A47	3510806400	CABINET AS	KOC-871C0S	1
A48	7S312X40A1	SCREW SPECIAL	T1 TRS 4X10 SE MFZN	4
A49	3512517100	GUIDE ROLLER AS	KOG-62150S	1
A50	3517210900	TRAY METAL AS	KOC-624S0J	1
A51	3517203600	TRAY	GLASS	1
A52	3517201951	TRAY RACK AS	KOR-17551S 30MM	1

11. EXPLODED VIEW AND PARTS LIST

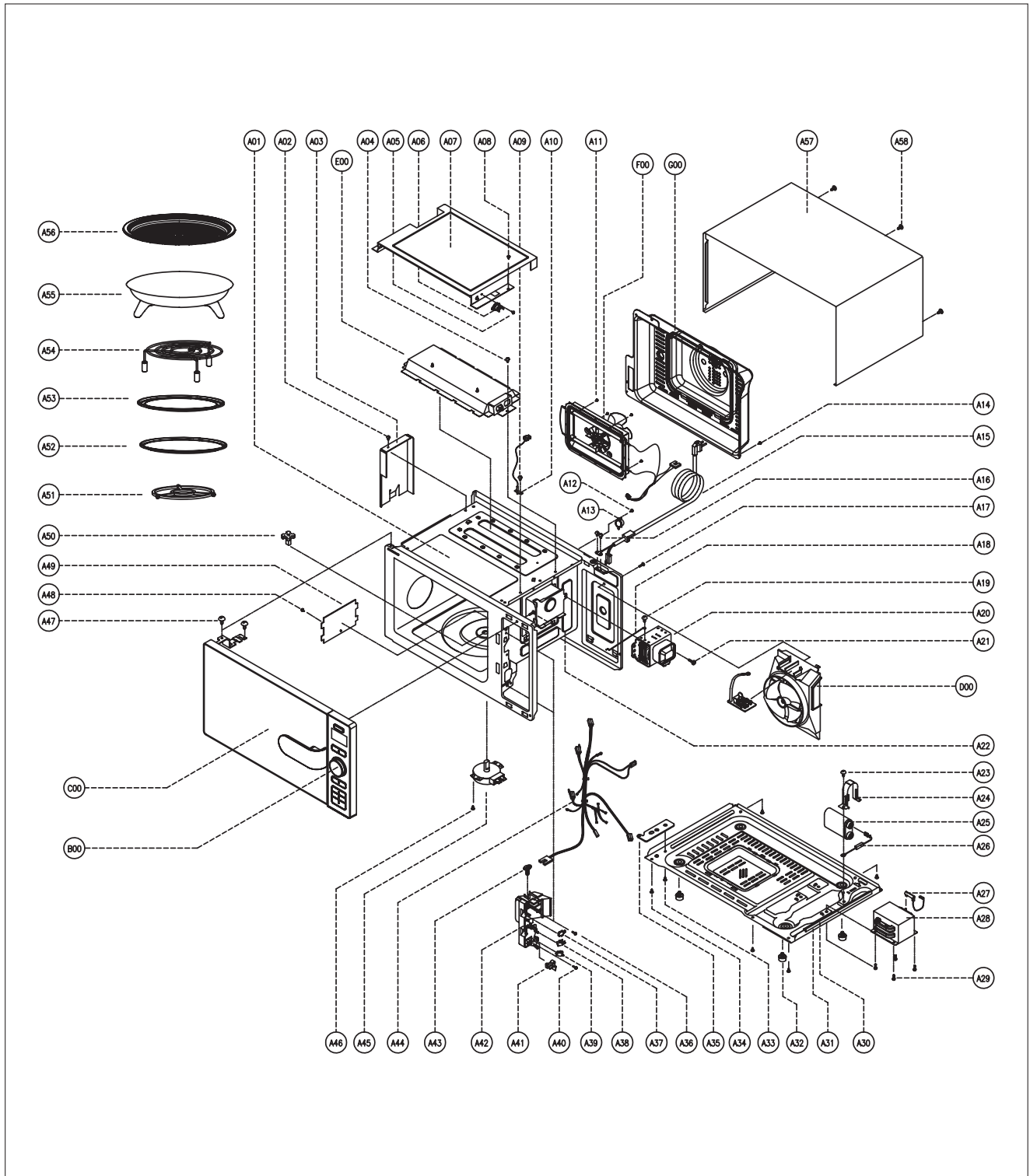
1. DOOR ASSEMBLY

Refer to 6. Disassembly and assembly.

2. CONTROL PANEL ASSEMBLY

Refer to 6. Disassembly and assembly.

3. TOTAL ASSEMBLY



- KOC-8HBF7S(7S24) / 8HBF7P24 / 8HAF7R

REF. NO	PART CODE	PART NAME	DESCRIPTION	Q'TY
A01	3516118550	CAVITY AS	KOC-8HBTKC	1
A02	7S312X40A1	SCREW SPECIAL	T1 TRS 4X10 SE MFZN	1
A03	3512523600	GUIDE AIR OUTLET	SBHG T0.5	1
E00	3512807430	HEATER *T AS	KOC-8H6TKS (KOC-8HBF7P24)	1
	3512809400		KOC-8HBF7S (KOC-8HAF7R)	
A04	7S312X40A1	SCREW SPECIAL	T1 TRS 4X10 SE MFZN	1
A05	7121400611	SCREW TAPPING	T2S PAN 4X6 MFZN	1
A06	3518903400	THERMOSTAT	OFF:150 ON:60 V 187	1
A07	3513304300	INSULATOR HEATER *T AS	KOC-8H6TKS	1
A08	7S312X40A1	SCREW SPECIAL	T1 TRS 4X10 SE MFZN	2
A09	7S432X4081	SPECIAL SCREW	TT3 TRS 4X8 SE MFZN	1
A10	3514801400	SENSOR TEMPERATURE	PTM-K312-D7	1
F00	3512807520	HEATER * B AS	KOC-8HBTKC (KOC-8HBF7P24)	1
	3512809600		KOC-8HBF7S (KOC-8HAF7R)	
A11	7122400611	SCREW TAPPING	T2S TRS 4X6 MFZN	4
A12	7121400611	SCREW TAPPING	T2S PAN 4X6 MFZN	1
A13	3518907000	THERMOSTAT	OFF:130 ON:60 V #187	1
G00	3511413000	COVER *B AS	KOC-8H5T7S	1
A14	7272400811	SCREW TAPTITE	TT3 TRS 4X8 MFZN	2
A15	35113A5QJ5	CORD POWER AS	3X1.5 80X80 120-RTML 1.4M	1
A16	7S312X40A1	SCREW SPECIAL	T1 TRS 4X10 SE MFZN	2
D00	3512527520	GUIDE WIND AS	KOC-8H4TKS	1
A17	7122401211	SCREW TAPPING	T2S TRS 4*12 MFZN	1
A18	3515309200	SUPPORTER WIRE	SWRH 2.0	1
A19	7S312X40A1	SCREW SPECIAL	T1 TRS 4X10 SE MFZN	1
A20	3518003700	MAGNETRON	2M218JFL 6CF	1
A21	3516004000	SPECIAL SCREW	T2 BOLT FLANGE 5X12 DACRO	1
B00	PKCPSWGM80	CONTROL-PANEL AS	KOC-8HBF7S (KOC-8HBF7P24)	1
	PKCPSWZZZZ		KOC-8HAF7R	
A22	7122401211	SCREW TAPPING	T2S TRS 4*12 MFZN	1
A23	7272400811	SCREW TAPTITE	TT3 TRS 4X8 MFZN	1
A24	3513001900	HOLDER HV CAPACITOR	SECC T0.5	1
A25	3518302200	CAPACITOR HV	2100VAC 0.98UF #187 (KOC-8HBF7P24)	1
	3518303401		2100VAC 1.05UF #187 (KOC-8HBF7S/8HAF7R)	
A26	3518401300	DIODE HV	CL01-12	1
A27	3518701900	FUSE HV	5KV 0.8A T.H.V.060T (KOC-8HBF7P24)	1
	3518404810		5KV 0.75A GERF1 (KOC-8HAF7R)	
	3518701400		5KV 0.7A (KOC-8HBF7S)	
A28	3518122820	TRANS HV	DWAR90K0-87T (KOC-8HBF7P24)	1
	3518128400		S1S59F DS00 (KOC-8HBF7S/8HAF7R)	

REF. NO	PART CODE	PART NAME	DESCRIPTION	Q'TY
A29	3516003700	SPECIAL SCREW	TT3 HEX 4X8 FLG MFZN	4
A31	3510311000	BASE	SBHG-1 T0.7	1
A30	3517304300	FOAM	CR 15TX150X15	1
A32	3512101400	FOOT	DASF-310	4
A33	7S312X40A1	SCREW SPECIAL	T1 TRS 4X10 SE MFZN	5
A34	7S342X4081	SCREW SPECIAL	T2S TRS 4X8 SE MFZN	1
A35	3515202800	STOPPER HINGE *U AS	KOR-121M0A	1
A36	7122401211	SCREW TAPPING	SCREW TAPPING	1
A37	4415A17310	SW MICRO	SZM-V16-FA-61	1
A38				
A39	4415A17352	SW MICRO	SZM-V16-FA-63	2
A40	7122401211	SCREW TAPPING	SCREW TAPPING	1
A41	3513702620	LEVER LOCK	POM	1
A42	3513811750	LOCK	CHEIL(FH-44N)	1
A43	3513601710	LAMP	BL 240V 25W T25 CC7A H187 99%	1
A44	3512782680	HARNESS MAIN	KOC-8HBTKC	1
A45	3966031700	MOTOR SYNCRO	220/240V 50/60HZ SM16 HK36M6F6	1
A46	7121400611	SCREW TAPPING	T2S PAN 4X6 MFZN	1
C00	3511726640	DOOR AS	KOC-8HBTKC (KOC-8HBF7S / 8HBF7P24)	1
	3511726630		KOC-8HATKS (KOC-8HAF7R)	
A47	3516003700	SCREW TAPPING	TT3 HEX 4X8 FLG MFZN	1
A48	7112400816	SCREW TAPPING	T1 TRS 4X8 MFZNNI	1
A49	3511403800	COVER WAVE GUIDE	MICA T0.35	1
A50	3517400610	COUPLER	TEFLON	1
A51	3512517100	GUIDE ROLLER AS	KOG-62150S	1
A52	3517203600	TRAY GLASS	GLASS	1
A53	3517210900	TRAY METAL AS	KOC-624S0J	1
A54	3517211500	TRAY RACK AS	KOC-8H4TKS 35MM	1
A55	3515312200	SUPPORTER TRAY FRYER AS	KOC-8HBTKC	1
A56	3517214100	TRAY FRYER AS	KOC-8HBTKC	1
A57	3510806400	CABINET AS	KOC-871C0S	1
A58	7S312X40A1	SCREW SPECIAL	T1 TRS 4X10 SE MFZN	4



DAEWOO ELECTRONICS CORP.

1-2, Jeo-dong 1(il)-ga, Jung-gu, Seoul, Korea

C.P.O. BOX 8003 SEOUL, KOREA

TELEX: DWELEC K28177-8

CABLE: "DAEWOOELEC"

PRINTED DATE: Jul. 2013

S/M NO. :