

## SECTION 6 EXPLODED VIEWS

**NOTE :**

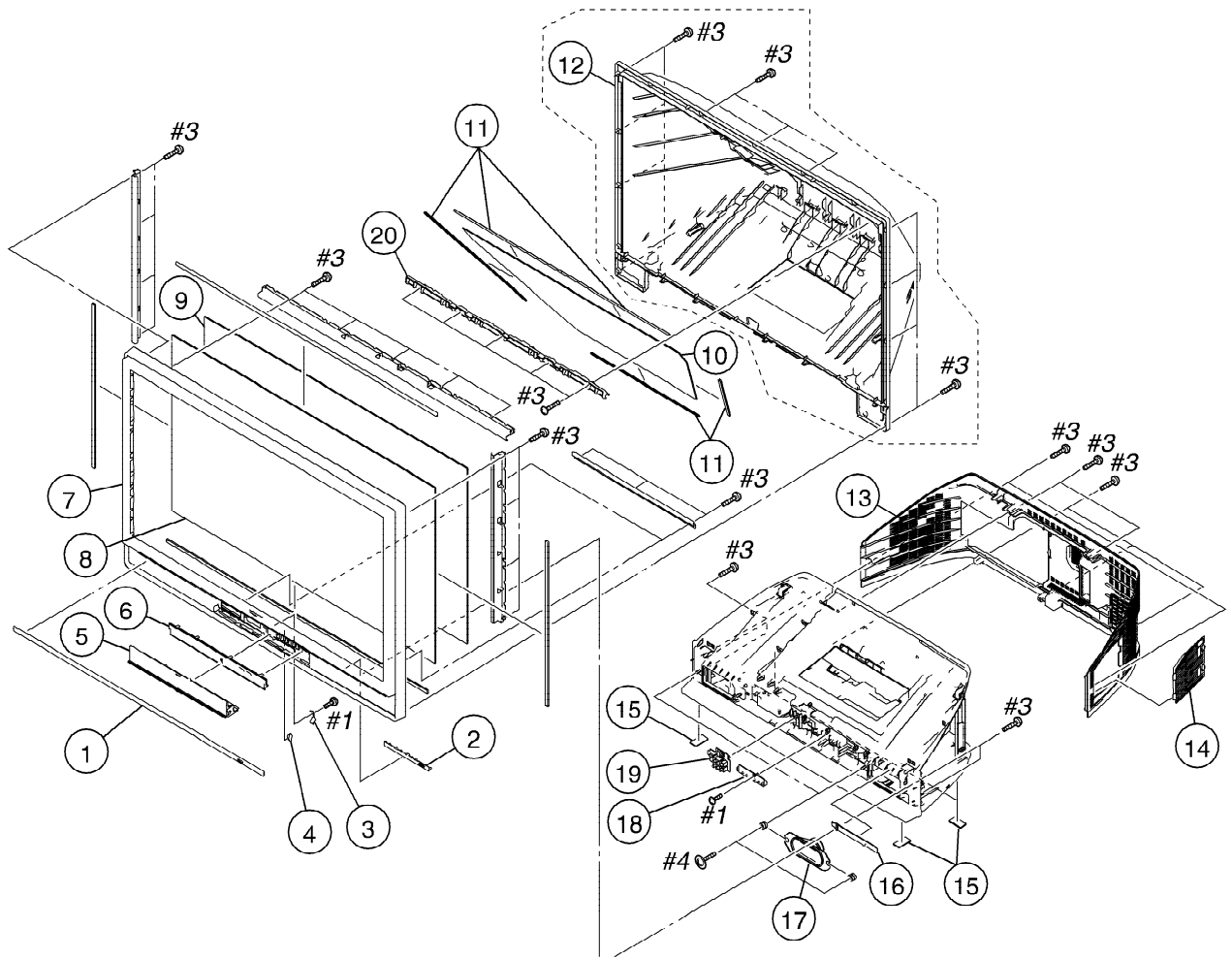
- Items with no part number and no description are not stocked because they are seldom required for routine service.
- The construction parts of an assembled part are indicated with a collation number in the remarks column.
- Items marked “\*” are not stocked since they are seldom required for routine service. Some delay should be anticipated when ordering these items.

**Note :** Les composants indentifiés par une trame et par une marque Δ sont d'une importance critique pour la securite. Ne les remplacer que par des pieces du numero specifie.

**Note :** The components identified by shading and marked Δ are critical for safety. Replace only with the part numbers specified in the parts list.

**6-1. SCREEN, COVERS**

- #1 : 7-685-648-79 SCREW +BVTP 3X12 TYPE2 IT-3
- #3 : 2-580-640-01 SCREW, +BVTP2 4X16
- #4 : 2-580-654-01 SCREW, +PWTP2 4X16



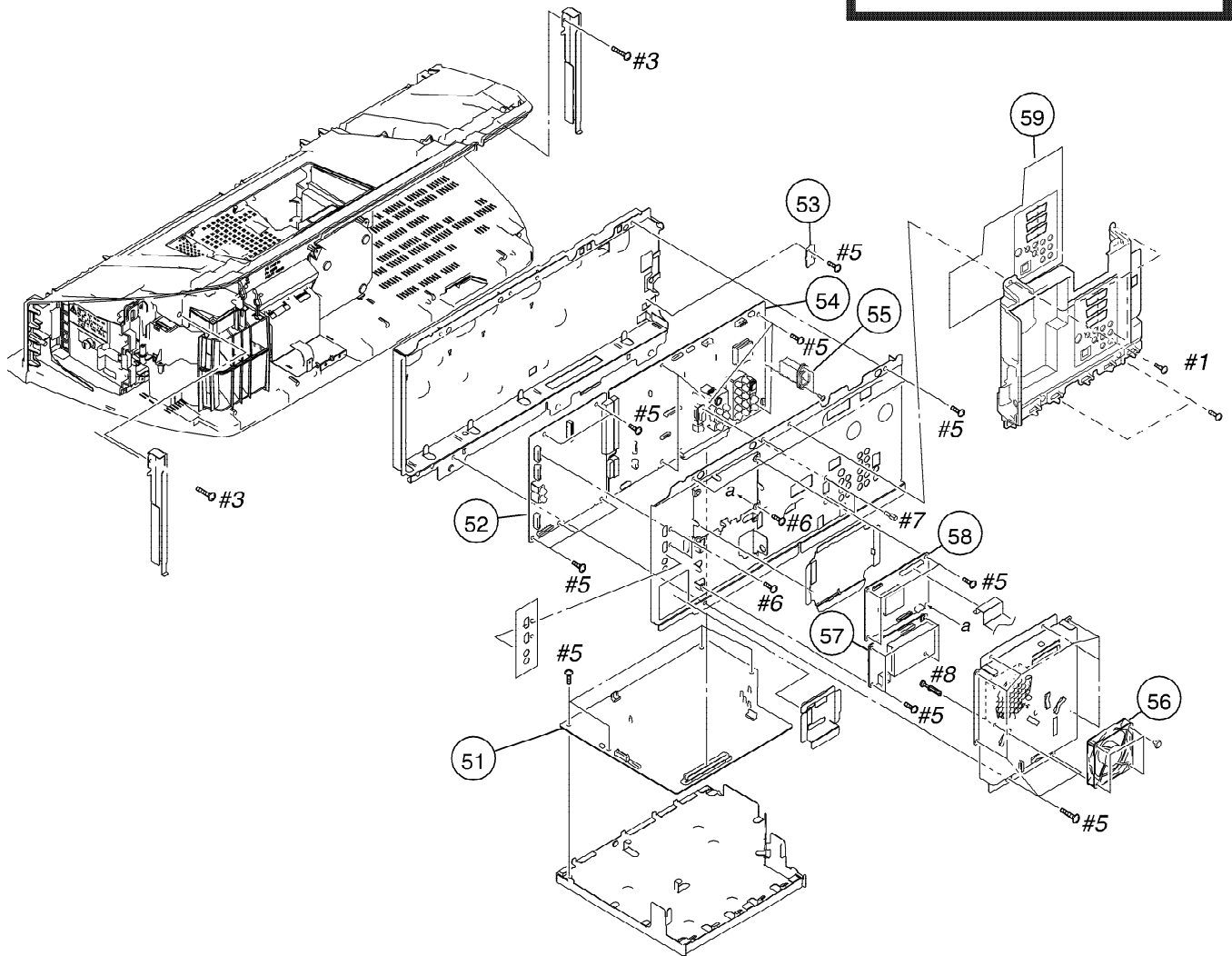
REF.NO.	PART.NO	DESCRIPTION	REMARK	REF.NO.	PART.NO	DESCRIPTION	REMARK
1	2-675-304-11	PANEL,INDICATOR (55)		11	2-682-305-11	GUARD, MIRROR EDGE	
2	2-675-306-11	GUIDE,LED		12	*2-694-065-01	COVER, MIRROR (55)	
3	2-675-309-01	SPRING,FRONT DOOR		13	2-683-411-01	COVER #E, REAR	
4	3-973-975-01	DAMPER,OIL		14	*2-675-132-11	COVER, DOOR	
5	2-675-307-01	DOOR,CONTROL		15	4-097-548-01	CUSHION, FOOT	
6	*2-675-308-11	TERMINAL,BKT (FR)		16	*A-1183-743-A	H2 BOARD,COMPLETE	
7	X-2148-506-1	SCREEN FRAME ASSY (55)		17	1-826-475-11	LOUDSPEAKER (6.5X13CM)	
8	2-697-118-01	PLATE(55L), DIFFUSION		18	*A-1166-579-A	H1 BOARD,COMPLETE	
9	2-697-119-01	PLATE(55F), DIFFUSION		19	*A-1183-744-A	H3 BOARD,COMPLETE	
10	*2-686-212-01	MIRROR (55)		20	*2-675-264-11	HOLDER, MIRROR (55,60)	

6-2. CHASSIS ASSEMBLY

- #1 : 7-685-648-79 SCREW +BVTP 3X12 TYPE2 IT-3
- #3 : 2-580-640-01 SCREW, +BVTP2 4X16
- #5 : 2-580-628-01 SCREW, +BVST 3X6
- #6 : 2-580-590-01 SCREW, +PSW M3X5
- #7 : 2-580-626-01 SCREW, SP 4-40 UNC
- #8 : 2-637-595-01 RIVET,TURN

**Note :** Les composants identifiés par une trame et par une marque Δ sont d'une importance critique pour la sécurité. Ne les remplacer que par des pièces du numéro spécifié.

**Note :** The components identified by shading and marked Δ are critical for safety. Replace only with the part numbers specified in the parts list.



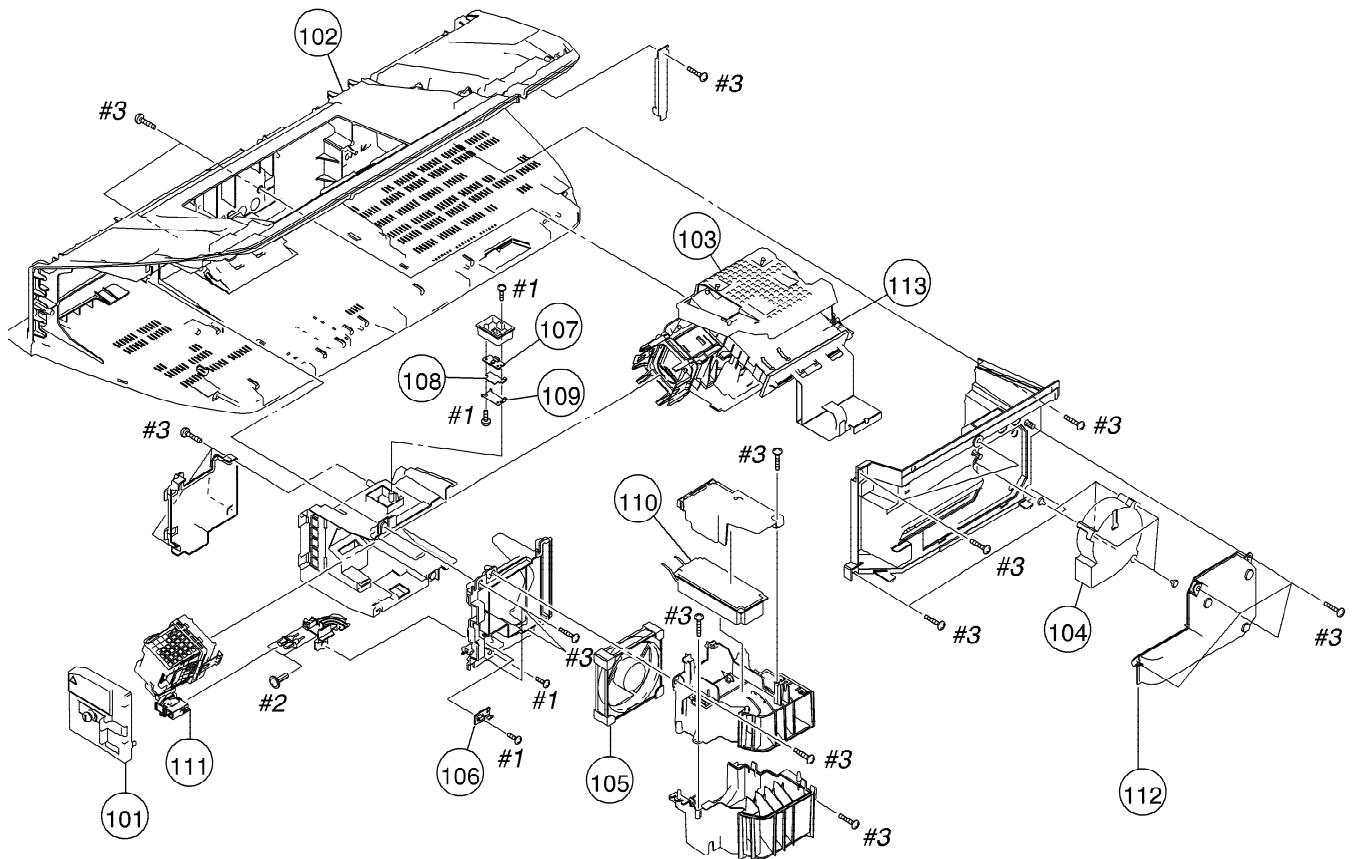
REF.NO.	PART.NO	DESCRIPTION	REMARK	REF.NO.	PART.NO	DESCRIPTION	REMARK
51	*A-1194-657-A	G BOARD, COMPLETE		56	Δ 1-787-333-11	D.C. FAN	
52	*A-1194-652-A	B2 BOARD, COMPLETE		57	*A-1173-184-B	TUE BOARD, COMPLETE	
53	*A-1166-582-A	S1 BOARD, COMPLETE		58	*A-1189-655-B	FXE BOARD, COMPLETE	
54	*A-1194-654-A	AG BOARD, COMPLETE		59	*A-1188-366-A	UE BOARD, COMPLETE	
55	1-818-700-11	INLET, AC (WITH NOISE FILTER)					

6-2. OPTICS BLOCK

- #1 : 7-685-648-79 SCREW +BVTP 3X12 TYPE2 IT-3
- #2 : 7-685-903-31 SCREW +PTPWH 3X10 (TYPE2)
- #3 : 2-580-640-01 SCREW, +BVTP2 4X16

**Note :** Les composants indentifiés par une trame et par une marque Δ sont d'une importance critique pour la sécurité. Ne les remplacer que par des pièces du numéro spécifié.

**Note :** The components identified by shading and marked Δ are critical for safety. Replace only with the part numbers specified in the parts list.



REF.NO.	PART.NO	DESCRIPTION	REMARK	REF.NO.	PART.NO	DESCRIPTION	REMARK
101	X-2149-052-1	DOOR ASSY, LAMP		108	*2-691-973-01	SHEET, FUSE	
102	2-683-409-01	CABINET #E, BOTTOM		109	*2-691-972-11	PLATE, FUSE	
103	Δ A-1203-517-A	OPTICS BLOCK ASSY (A55UK)		110	Δ 1-474-012-11	EUC120DP/51	
104	Δ 8-835-873-11	MOTOR, DC SFF24A/C-NP		111	A-1203-604-A	LAMP BLOCK ASSY	
105	Δ 8-835-860-31	MOTOR, DC SFF21C/C-NP		112	*2-675-103-11	COVER (PN), SCIROCCO	
106	*A-1166-584-A	T BOARD, COMPLETE		113	*A-1186-651-A	C BOARD, COMPLETE	
107	*A-1166-583-A	S2 BOARD, COMPLETE					

**Note:** The C board and optics block must be aligned as a unit so the C board cannot be ordered separately. If required please order A-1203-517-A OPTICS BLOCK ASSY (A55UK).