

# PARTS LIST

KD-G140J,KD-G240J,KD-G244UI  
KD-G245U,KD-G245UN,KD-G245UT  
KD-G245UH,KD-G248UF,KD-G341E  
KD-G341EX,KD-G341EY,KD-G341EU  
KD-G342E,KD-G342EX,KD-G342EY  
KD-G342EU,KD-G343E,KD-G343EX  
KD-G343EY,KD-G343EU,KD-G347SEE  
KD-G347BEE,KD-G394UI,KD-G395U  
KD-G395UN,KD-G395UT,KD-G395UH  
KD-G396U,KD-G396UN,KD-G396UT  
KD-G396UH,KD-G398UF,KD-G396SUI  
KD-G299UR,KD-S15J  
KD-G347BEE2,KD-G347SEE2

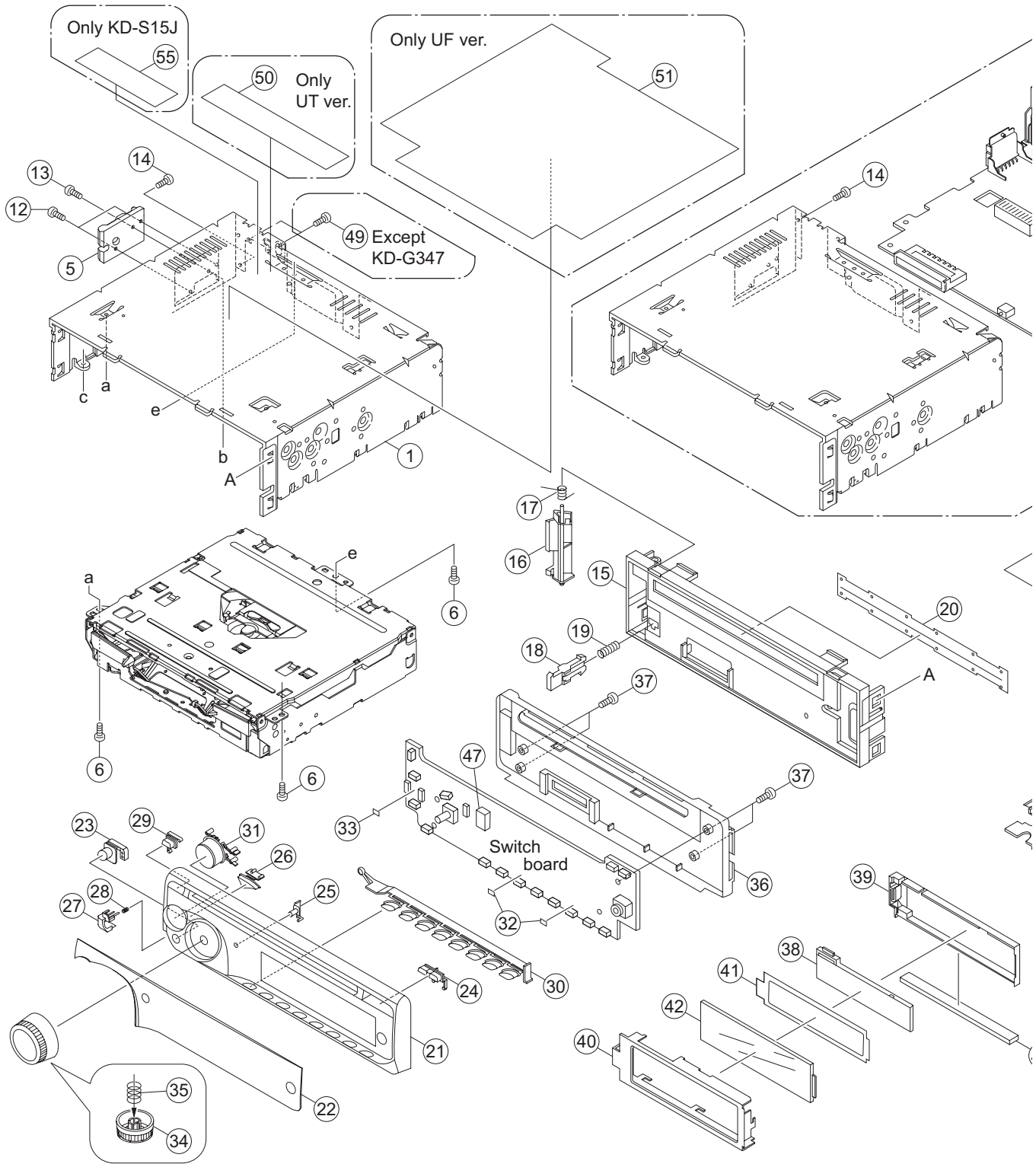
\* All printed circuit boards and its assemblies are not available as service parts.

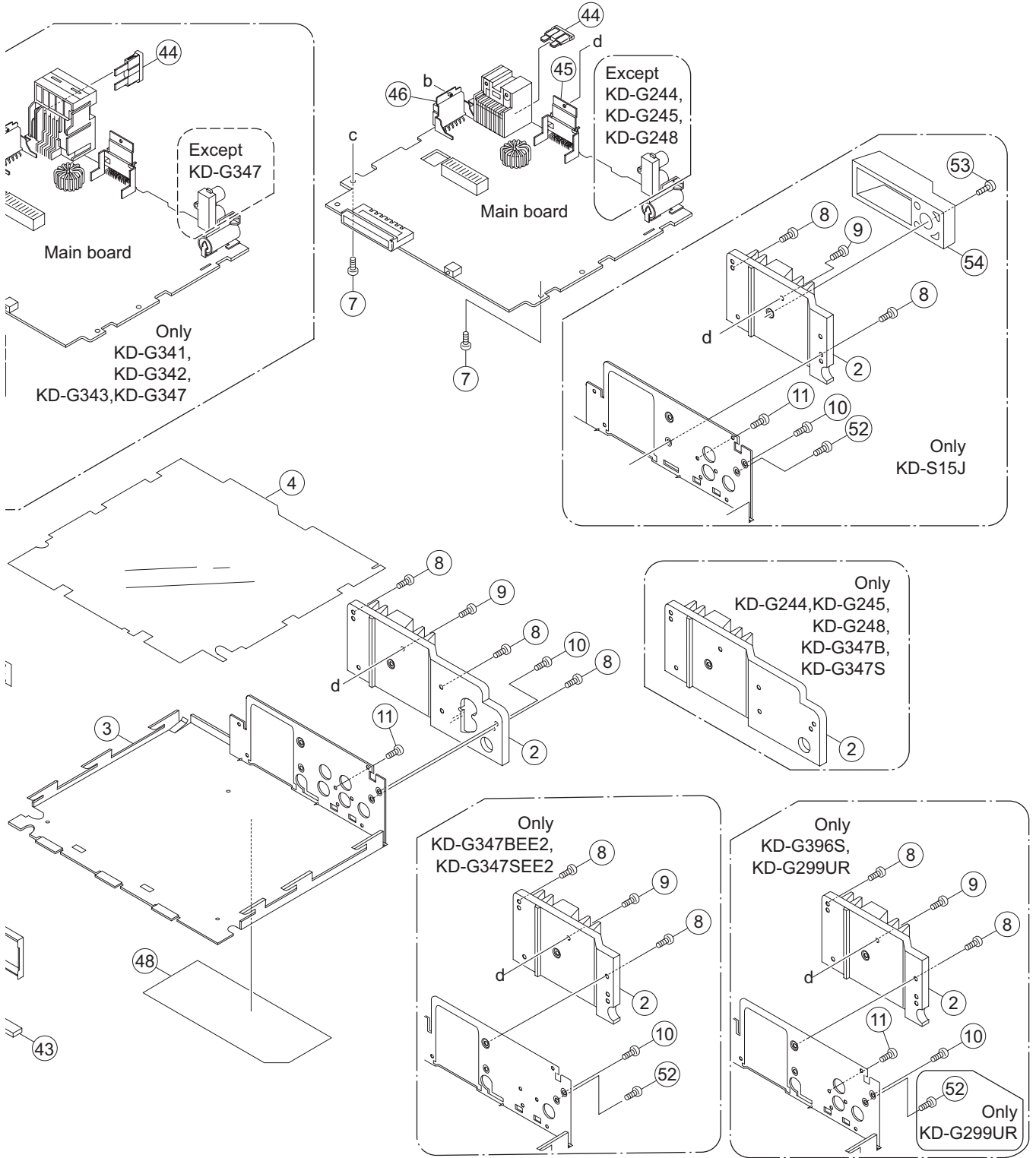
## - Contents -

Exploded view of general assembly and parts list (Block No.M1) .....	3- 2
CD mechanism assembly and parts list (Block No.MB) .....	3- 7
Electrical parts list (Block No.01~05) .....	3- 9
Packing materials and accessories parts list (Block No.M3) .....	3-24

# Exploded view of general assembly and parts list

Block No. M 1 M M





The parts without symbol number are not service.

# General Assembly

Block No. [M][1][M][M]

△	Symbol No.	Part No.	Part Name	Description	Local
	1	GE10216-002A	TOP CHASSIS		G140J, G240J, G244UI, G245U, G245UN, G245UT, G245UH, G248UF, G394UI, G395U, G395UN, G395UT, G395UH, G396U, G396UN, G396UT, G396UH, G398UF, G299UR
	1	GE10216-004A	TOP CHASSIS		G341E, G341EX, G341EY, G341EU, G342E, G342EX, G342EY, G342EU, G343E, G343EX, G343EY, G343EU, G347SEE, G347BEE
	1	GE10216-009A	TOP CHASSIS		G396SUI, S15J
	1	GE10216-010A	TOP CHASSIS		G347BEE2, G347SEE2
	2	GE32823-002A	HEAT SINK		G140J, G240J, G341E, G341EX, G341EY, G341EU, G342E, G342EX, G342EY, G342EU, G343E, G343EX, G343EY, G343EU, G394UI, G395U, G395UN, G395UT, G395UH, G396U, G396UN, G396UT, G396UH, G398UF
	2	GE32823-006A	HEAT SINK		G244UI, G245U, G245UN, G245UT, G245UH, G248UF, G347SEE, G347BEE
	2	GE33234-001A	HEAT SINK		G396SUI, G299UR, S15J, G347BEE2, G347SEE2
	3	GE20228-001A	BOTTOM COVER		G140J, G240J, G244UI, G245U, G245UN, G245UT, G245UH, G248UF, G341E, G341EX, G341EY, G341EU, G342E, G342EX, G342EY, G342EU, G343E, G343EX, G343EY, G343EU, G347SEE, G347BEE, G394UI, G395U, G395UN, G395UT, G395UH, G396U, G396UN, G396UT, G396UH, G398UF
	3	GE20232-002A	BOTTOM COVER		G396SUI, G299UR, S15J
	3	GE20232-003A	BOTTOM COVER		G347BEE2, G347SEE2
	4	GE32830-002A	INSULATOR		
	5	GE40395-001A	SIDE PANEL		
	6	QYSDST2604ZA	TAP SCREW	M2.6 x 4mm(x3)	
	7	GE40377-002A	SCREW	(x2)	
	8	GE40377-001A	SCREW	(x3)	G140J, G240J, G244UI, G245U, G245UN, G245UT, G245UH, G248UF, G341E, G341EX, G341EY, G341EU, G342E, G342EX, G342EY, G342EU, G343E, G343EX, G343EY, G343EU, G347SEE, G347BEE, G394UI, G395U, G395UN, G395UT, G395UH, G396U, G396UN, G396UT, G396UH, G398UF
	8	GE40377-001A	SCREW	(x2)	G396SUI, G299UR, S15J, G347BEE2, G347SEE2
	9	QYSDST2610ZA	TAP SCREW	M2.6 x 10mm	
	10	QYSDST2610ZA	TAP SCREW	M2.6 x 10mm	G140J, G240J, G244UI, G245U, G245UN, G245UT, G245UH, G248UF, G341E, G341EX, G341EY, G341EU, G342E, G342EX, G342EY, G342EU, G343E, G343EX, G343EY, G343EU, G347SEE, G347BEE, G394UI, G395U, G395UN, G395UT, G395UH, G396U, G396UN, G396UT, G396UH, G398UF
	10	QYSDST2606ZA	TAP SCREW	M2.6 x 6mm	G396SUI, G299UR, S15J, G347BEE2, G347SEE2
	11	QYSDSF2606ZA	TAP SCREW	M2.6 x 6mm	G140J, G240J, G244UI, G245U, G245UN, G245UT, G245UH, G248UF, G341E, G341EX, G341EY, G341EU, G342E, G342EX, G342EY, G342EU, G343E, G343EX, G343EY, G343EU, G394UI, G395U, G395UN, G395UT, G395UH, G396U, G396UN, G396UT, G396UH, G398UF
	12	GE40377-002A	SCREW	(x2)	
	13	QYSDST2608ZA	TAP SCREW	M2.6 x 8mm	
	14	QYSDST2604ZA	TAP SCREW	M2.6 x 4mm	
	15	GE10215-001A	FRONT CHASSIS		
	16	GE32350-002A	LOCK LEVER		
	17	GE40368-002A	TORSION SPRING		
	18	GE32810-001A	RELEASE LEVER		
	19	GE30999-004A	COMP.SPRING		
	20	GE40400-001A	BLIND		
	21	GE32865-004A	F.PANEL LO ASSY		G140J, G244UI, G245U, G245UN, G245UT, G245UH, S15J
	21	GE32865-001A	F.PANEL LO ASSY		G240J, G342E, G342EX, G342EY, G342EU, G396U, G396UN, G396UT, G396UH, G398UF, G396SUI, G299UR
	21	GE32865-003A	F.PANEL LO ASSY		G248UF, G347BEE, G347BEE2
	21	GE32865-005A	F.PANEL LO ASSY		G341E, G341EX, G341EY, G341EU, G343E, G343EX, G343EY, G343EU, G394UI, G395U, G395UN, G395UT, G395UH, G396U, G396UN, G396UT, G396UH, G398UF
	21	GE32865-002A	F.PANEL LO ASSY		G347SEE, G347SEE2
	22	GE32867-024A	FINDER ASSY		G140J
	22	GE32867-028A	FINDER ASSY		G240J
	22	GE32867-009A	FINDER ASSY		G244UI
	22	GE32867-023A	FINDER ASSY		G245U, G245UN, G245UT, G245UH
	22	GE32867-011A	FINDER ASSY		G248UF
	22	GE32867-027A	FINDER ASSY		G341E, G341EX, G341EY, G341EU
	22	GE32867-025A	FINDER ASSY		G342E, G342EX, G342EY, G342EU
	22	GE32867-020A	FINDER ASSY		G343E, G343EX, G343EY, G343EU
	22	GE32867-021A	FINDER ASSY		G347SEE, G347SEE2
	22	GE32867-029A	FINDER ASSY		G347BEE, G347BEE2
	22	GE32867-007A	FINDER ASSY		G394UI
	22	GE32867-022A	FINDER ASSY		G395U, G395UN, G395UT, G395UH
	22	GE32867-026A	FINDER ASSY		G396U, G396UN, G396UT, G396UH, G396SUI
	22	GE32867-008A	FINDER ASSY		G398UF
	22	GE32867-042A	FINDER ASSY		G299UR
	22	GE33245-428A	FINDER ASSY		S15J
	23	GE32812-011A	I BTN		G140J, G394UI, G395U, G395UN, G395UT, G395UH, G396U, G396UN, G396UT, G396UH, G396SUI, S15J

△	Symbol No.	Part No.	Part Name	Description	Local
	23	GE32812-008A	I BTN		G240J,G398UF,G299UR
	23	GE32812-014A	I BTN		G244UI,G245U,G245UN,G245UT,G245UH,G341E,G341EX,G341EY,G341EU,G343E,G343EX,G343EY,G343EU,G347SEE,G347SEE2
	23	GE32812-013A	I BTN		G248UF,G342E,G342EX,G342EY,G342EU,G347BEE,G347BEE2
	24	GE32814-001A	BAND EQ BTN		
	25	GE32815-001A	PUSH BTN		
	26	GE32816-007A	POWER BTN		G140J,S15J
	26	GE32816-005A	POWER BTN		G240J,G342E,G342EX,G342EY,G342EU,G398UF,G299UR,G244UI,G245U,G245UN,G245UT,G245UH,G396U,G396UN,G396UT,G396UH,G396SUI
	26	GE32816-002A	POWER BTN		G248UF,G347BEE,G347BEE2
	26	GE32816-006A	POWER BTN		G341E,G341EX,G341EY,G341EU,G343E,G343EX,G343EY,G343EU,G394UI,G395U,G395UN,G395UT,G395UH
	26	GE32816-001A	POWER BTN		G347SEE,G347SEE2
	26	GE32816-004A	POWER BTN		G140J,G244UI,G245U,G245UN,G245UT,G245UH,S15J
	27	GE32817-004A	DETACH BTN		G240J,G342E,G342EX,G342EY,G342EU,G396U,G396UN,G396UT,G396UH,G398UF,G396SUI,G299UR
	27	GE32817-001A	DETACH BTN		G248UF,G347BEE,G347BEE2
	27	GE32817-003A	DETACH BTN		G341E,G341EX,G341EY,G341EU,G343E,G343EX,G343EY,G343EU,G394UI,G395U,G395UN,G395UT,G395UH
	27	GE32817-005A	DETACH BTN		G347SEE,G347SEE2
	27	GE32817-002A	DETACH BTN		
	28	GE30999-006A	COMP.SPRING		
	29	GE32818-001A	EJECT BTN		
	30	GE20233-001A	PRESET BTN LOW		G140J,G240J,G248UF,G342E,G342EX,G342EY,G342EU,G347BEE,G396U,G396UN,G396UT,G396UH,G396SUI,G299UR,S15J,G347BEE2
	30	GE20227-001A	PRESET BTN HI		G244UI,G245U,G245UN,G245UT,G245UH,G341E,G341EX,G341EY,G341EU,G343E,G343EX,G343EY,G343EU,G347SEE,G394UI,G395U,G395UN,G395UT,G395UH,G398UF,G347SEE2
	31	GE32827-002A	NAVI BTN LOW		G140J,G244UI,G245U,G245UN,G245UT,G245UH,G341E,G341EX,G341EY,G341EU,G343E,G343EX,G343EY,G343EU,G347SEE,G394UI,G395U,G395UN,G395UT,G395UH,G396U,G396UN,G396UT,G396UH,G396SUI,G347SEE2
	31	GE32827-001A	NAVI BTN LOW		G240J,G248UF,G398UF,G299UR,S15J
	31	GE32827-003A	NAVI BTN LOW		G342E,G342EX,G342EY,G342EU
	31	GE32827-004A	NAVI BTN LOW		G347BEE,G347BEE2
	32	FSYH4036-069	SHEET	(x2)	
	33	FSYH4036-053	SHEET		
	34	GE32822-002A	VOL KNOB LOW		G140J,G244UI,G245U,G245UN,G245UT,G245UH,G341E,G341EX,G341EY,G341EU,G343E,G343EX,G343EY,G343EU,G347SEE,G347BEE,G394UI,G395U,G395UN,G395UT,G395UH,G396U,G396UN,G396UT,G396UH,G396SUI,G347BEE2,G347SEE2
	34	GE32822-001A	VOL KNOB LOW		G240J,G248UF,G342E,G342EX,G342EY,G342EU,G398UF,G299UR,S15J
	35	GE40127-005A	KNOB SPRING		
	36	GE10214-001A	REAR COVER		
	37	VKZ4777-010	MINI SCREW	(x4)	
	38	GE32819-001A	LCD LENS		
	39	GE32820-001A	LENS CASE		
	40	GE32821-001A	LCD CASE		
	41	GE40397-002A	LIGHTING SHEET		
	42	QLD0530-001	LCD MODULE		G140J,G240J,G299UR,G347BEE2,G347SEE2
	42	QLD0523-001	LCD MODULE		G244UI,G245U,G245UN,G245UT,G245UH,G248UF,G341E,G341EX,G341EY,G341EU,G342E,G342EX,G342EY,G342EU,G343E,G343EX,G343EY,G343EU,G347SEE,G347BEE,G394UI,G395U,G395UN,G395UT,G395UH,G396U,G396UN,G396UT,G396UH,G396SUI,G347BEE2,G347SEE2
	43	QNZ0950-001	RUBBER CONNECTO		G140J,G240J,G299UR,G347BEE2,G347SEE2
△	44	QMFZ063-150-J1	FUSE	15A	
	45	GE40354-001A	IC BRACKET		
	46	GE40396-001A	REG BRACKET		G140J,G240J,G244UI,G245U,G245UN,G245UT,G245UH,G248UF,G341E,G341EX,G341EY,G341EU,G342E,G342EX,G342EY,G342EU,G343E,G343EX,G343EY,G343EU,G347SEE,G347BEE,G394UI,G395U,G395UN,G395UT,G395UH,G396U,G396UN,G396UT,G396UH,G396SUI,G347BEE2,G347SEE2
	46	GE40396-002A	REG BRACKET		G396SUI,G299UR,S15J,G347BEE2,G347SEE2
	47	GE30854-001A	LED HOLDER		
	48	GE32878-001A	NAME PLATE		G140J
	48	GE32930-001A	NAME PLATE		G240J
	48	GE32933-001A	NAME PLATE		G244UI
	48	GE32882-001A	NAME PLATE		G245U,G245UN,G245UT,G245UH
	48	GE32936-001A	NAME PLATE		G248UF
	48	GE32875-001A	NAME PLATE		G341E,G341EX,G341EY,G341EU
	48	GE32909-001A	NAME PLATE		G342E,G342EX,G342EY,G342EU
	48	GE32912-001A	NAME PLATE		G343E,G343EX,G343EY,G343EU
	48	GE32918-001A	NAME PLATE		G347SEE
	48	GE32915-001A	NAME PLATE		G347BEE

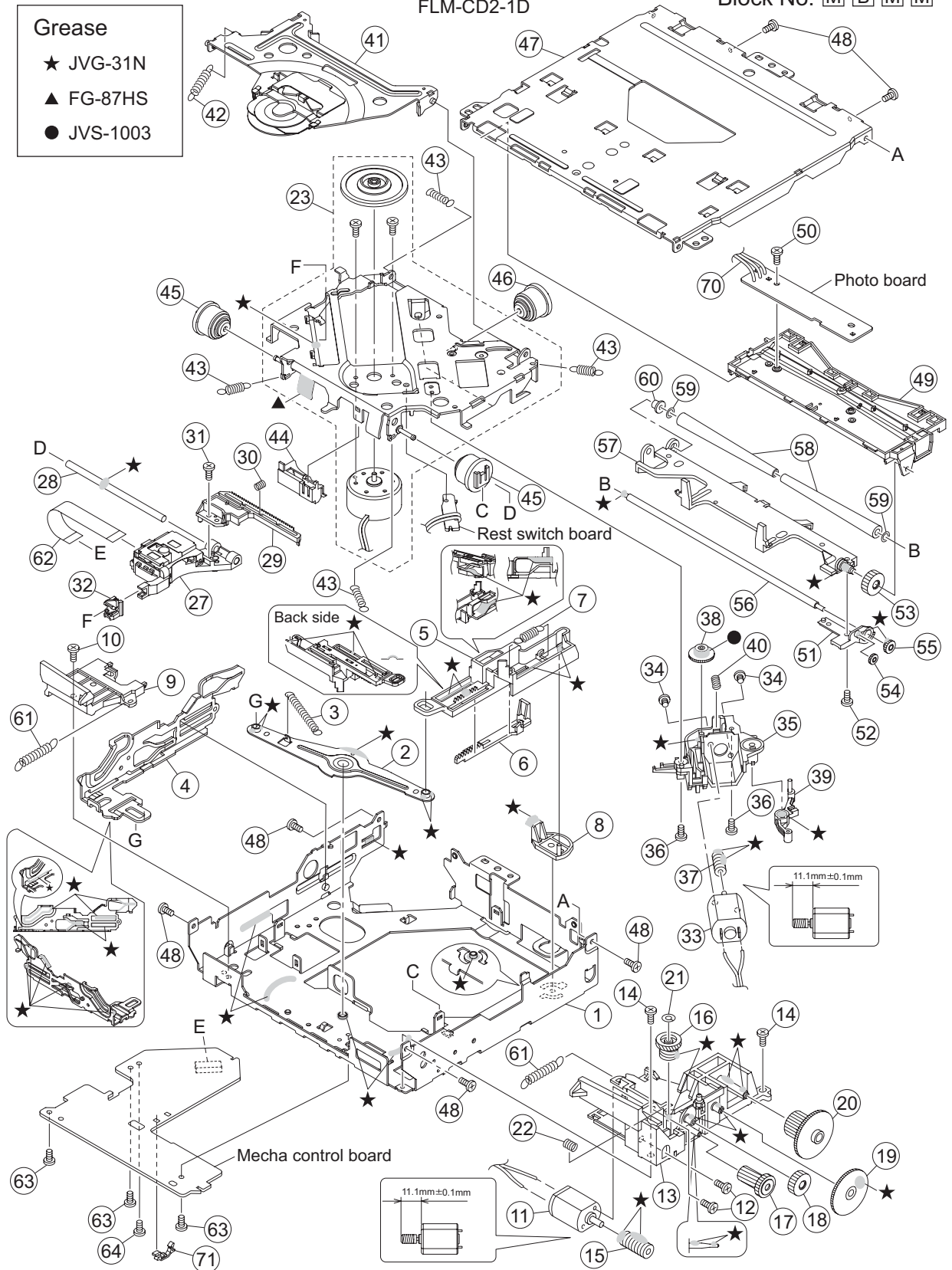
Symbol No.	Part No.	Part Name	Description	Local
48	GE32939-001A	NAME PLATE		G394UI
48	GE32885-001A	NAME PLATE		G395U,G395UN,G395UT,G395UH
48	GE33056-001A	NAME PLATE		G396U,G396UN,G396UT,G396UH
48	GE32942-001A	NAME PLATE		G398UF
48	GE33257-001A	NAME PLATE		G396SUI
48	GE33363-001A	NAME PLATE		S15J
48	GE33324-001A	NAME PLATE		G347BEE2
48	GE33330-001A	NAME PLATE		G347SEE2
49	QYDSDF2606ZA	TAP SCREW	M2.6 x 6mm(x2)	G140J,G240J,G244UI,G245U,G245UN,G245UT,G245UH,G248UF,G394UI,G395U,G395UN,G395UT,G395UH,G396U,G396UN,G396UT,G396UH,G398UF,G396SUI,G299UR,S15J
50	GE31574-074A	UT LABEL		G245UT
50	GE31574-075A	UT LABEL		G395UT
50	GE31574-076A	UT LABEL		G396UT
51	GE33135-001A	TOP SHEET		G248UF,G398UF
52	QYSDST2606ZA	TAP SCREW	M2.6 x 6mm	G299UR,S15J,G347BEE2,G347SEE2
53	QYSDSP4014ZA	SCREW	M4 x 14mm	S15J
54	GE40225-001A	CAR STEREO TAG		S15J
55	GE40282-001A	LABEL		S15J

# CD mechanism assembly and parts list

- Grease**
- ★ JVG-31N
  - ▲ FG-87HS
  - JVS-1003

FLM-CD2-1D

Block No. M B M M



The parts without symbol number are not service.

## CD mechanism

Block No. [M][B][M][M]

△	Symbol No.	Part No.	Part Name	Description	Local
	1	LV11256-001A	MECHA FRAME		
	2	LV36800-001A	LINK ARM		
	3	LV44658-001A	LINK SPRING		
	4	LV22300-001A	SLIDE CAM(L)		
	5	LV22298-002A	SLIDE CAM(R)		
	6	LV36802-001A	LOAD RACK		
	7	LV44552-001A	RETURN SPRING		
	8	LV36803-002A	F LOCK LEVER		
	9	LV36804-002A	CAM COVER		
	10	VKZ4539-054	MINI SCREW		
	11	QAR0373-002	MOTOR		
	12	QYSPSPT2025MA	SCREW	M2 x 2.5mm(x2)	
	13	LV36903-002A	L.M.BASE ASSY		
	14	VKZ4539-054	MINI SCREW	(x2)	
	15	LV36806-001A	L.WORM GEAR		
	16	LV36805-001A	M WHEEL GEAR		
	17	LV36807-001A	A WHEEL GEAR		
	18	LV36808-001A	R.ACT GEAR(1)		
	19	LV36809-001A	LOAD ACT GEAR		
	20	LV36810-001A	LOADING GEAR		
	21	QYWDL1230250	SLIT WASHER	3mm/1.2mm x 0.25mm	
	22	LV44589-002A	COMPRESSION SPRING		
	23	CM-FLMCD1D	SPINDLE MOTOR ASSY		
	27	QAL0993-001	PICK UP		
	28	LV44555-001A	MAIN SHAFT		
	29	LV36799-001A	RACK PLATE		
	30	LV44640-001A	RACK SPRING		
	31	QYSPSGT1745ZA	TAP SCREW	M1.7 x 4.5mm	
	32	LV36813-001A	SUB GUIDE CAP		
	33	QAR0144-003	MOTOR	2.0V DC	
	34	QYSPSPT2025MA	SCREW	M2 x 2.5mm(x2)	
	35	LV22296-001A	F.MOTOR HOLDER		
	36	VKZ4539-054	MINI SCREW	(x2)	
	37	LV36814-001A	F.WORM GEAR		
	38	LV36815-001A	F.WHEEL GEAR		
	39	LV36816-001A	TRIGGER ARM		
	40	LV44589-002A	COMPRESSION SPRING		
	41	LV37326-001A	CLAMPER ASSY		
	42	LV44557-002A	CLAMPER SPRING		
	43	LV44558-001A	SUS SPRING	(x4)	
	44	LV36820-001A	WIRE HOLDER		
	45	LV36904-001A	DAMPER	(x2)	
	46	LV37061-001A	DAMPER		
	47	LV11260-002A	TOP COVER		
	48	VKZ4539-054	MINI SCREW	(x6)	
	49	LV11264-003A	DISC PLATE		
	50	LV44586-001A	SPECIAL SCREW		
	51	LV36801-001A	GEAR HOLDER		
	52	VKZ4539-054	MINI SCREW		
	53	LV36821-001A	R.ACT GEAR(2)		
	54	LV36822-001A	R.ACT GEAR(3)		
	55	LV36823-001A	ROLLER GEAR		
	56	LV44559-002A	ROLLER SHAFT		
	57	LV22325-001A	R.HOLDER ASSY		
	58	LV44560-001A	ROLLER	(x2)	
	59	LV44590-001A	WASHER	(x2)	
	60	LV44561-001A	ROLLER COLLAR		
	61	LV44562-002A	ROLLER SPRING	(x2)	
	62	QAL0817-003	FPC		
	63	VKZ4539-054	MINI SCREW	(x3)	
	64	VKZ4539-054	MINI SCREW		
	70	WJS0085-001A-E	E-FL/RB WIRE		
	71	LV34916-001A	WIRE CLAMP		



# Electrical parts list

## Main board

(Except KD-G341E,EX,EY,EU,  
KD-G342E,EX,EY,EU,  
KD-G343E,EX,EY,EU,  
KD-G347SEE,KD-G347BEE,  
KD-G347BEE2,KD-G347SEE2)

Block No. [0][1]

△ Symbol No.	Part No.	Part Name	Description	Local
△ IC1	TEF6601T/V2-X	IC		
IC161	BD3445FS-X	IC		
△ IC301	TB2926HQ	IC		
△ IC501	LA6565-X	IC		
△ IC701	JCV8016-253	IC		
△ IC701	JCV8016-254	IC		G140J,G240J,G244 UI,G245U,G245UN,G245UT,G245UH,G248UF,G394UI,G395U,G395UN,G395UT,G395UH,G396U,G396UN,G396UT,G396UH,G398UF,G396SUI,G299UR,S15J
IC702	TMP86CH09NG6 RNO	IC		
IC703	S-80827CNMC-W	IC		
△ IC901	AN34001A	REGULATOR IC		
Q301	RT6N430C-X	TRANSISTOR		G140J,G240J,G244 UI,G245U,G245UN,G245UT,G245UH,G248UF,G394UI,G395U,G395UN,G395UT,G395UH,G396U,G396UN,G396UT,G396UH,G398UF,G396SUI,S15J
Q301	2SC3928A/QR/-X	TRANSISTOR		G396SUI,S15J
Q301	or 2SD601A/QR/-X	TRANSISTOR		G396SUI,S15J
Q301	2SD601A/R/-X	TRANSISTOR		G299UR
Q352	RT3X99M-X	TRANSISTOR		G140J,G240J,G394 UI,G395U,G395UN,G395UT,G395UH,G396U,G396UN,G396UT,G396UH,G398UF,G396SUI,G299UR,S15J
Q501	2SA1705/ST/-T	TRANSISTOR		
Q531	2SA1365/F/-X	TRANSISTOR		
Q701	RT1N141C-X	DIGI TRANSISTOR		
Q701	or UN2211-X	TRANSISTOR		
Q702	RT1P141C-X	DIGI TRANSISTOR		
Q702	or UN2111-X	TRANSISTOR		
Q781	RT1P141C-X	DIGI TRANSISTOR		
Q781	or UN2111-X	TRANSISTOR		
Q782	RT1P141C-X	DIGI TRANSISTOR		
Q782	or UN2111-X	TRANSISTOR		G140J,G240J,G394 UI,G395U,G395UN,G395UT,G395UH,G396U,G396UN,G396UT,G396UH,G398UF,G396SUI,G299UR,S15J
Q782	or UN2111-X	TRANSISTOR		G140J,G240J,G394 UI,G395U,G395UN,G395UT,G395UH,G396U,G396UN,G396UT,G396UH,G398UF,G396SUI,G299UR,S15J
Q783	RT1P141C-X	DIGI TRANSISTOR		
Q783	or UN2111-X	TRANSISTOR		
Q881	RT1N141C-X	DIGI TRANSISTOR		

△ Symbol No.	Part No.	Part Name	Description	Local
Q881	or UN2211-X	TRANSISTOR		
Q882	RT1P141C-X	DIGI TRANSISTOR		
Q882	or UN2111-X	TRANSISTOR		
Q976	ISA1530AC1/R/-X	TRANSISTOR		
Q976	or 2SB709A/QR/-X	TRANSISTOR		
Q977	RT1N141C-X	DIGI TRANSISTOR		
Q977	or UN2211-X	TRANSISTOR		
D301	MA111-X	SI DIODE		
D301	or 1SS355W-X	DIODE		
D311	IMSA6802-X	C CAPACITOR		G140J,G240J,G394 UI,G395U,G395UN,G395UT,G395UH,G396U,G396UN,G396UT,G396UH,G398UF
D311	NAF0029-001X	DIODE	V	G396SUI,G299UR,S15J
D312	IMSA6802-X	C CAPACITOR		G140J,G240J,G394 UI,G395U,G395UN,G395UT,G395UH,G396U,G396UN,G396UT,G396UH,G398UF
D312	NAF0029-001X	DIODE	V	G396SUI,G299UR,S15J
D341	MC2836-X	DIODE		G140J,G240J,G394 UI,G395U,G395UN,G395UT,G395UH,G396U,G396UN,G396UT,G396UH,G398UF,G396SUI,G299UR,S15J
D341	or MA152WA-X	DIODE		G140J,G240J,G394 UI,G395U,G395UN,G395UT,G395UH,G396U,G396UN,G396UT,G396UH,G398UF,G396SUI,G299UR,S15J
D501	1A3G-T1	SI DIODE		
D701	1SS355W-X	DIODE		G140J,G240J,G244 UI,G245U,G245UN,G245UT,G245UH,G248UF,G394UI,G395U,G395UN,G395UT,G395UH,G396U,G396UN,G396UT,G396UH,G398UF,G396SUI,S15J
D701	or MA111-X	SI DIODE		G140J,G240J,G244 UI,G245U,G245UN,G245UT,G245UH,G248UF,G394UI,G395U,G395UN,G395UT,G395UH,G396U,G396UN,G396UT,G396UH,G398UF,G396SUI,S15J
D701	or 1SS355W-X	DIODE		G299UR
D701	MA111-X	SI DIODE		G299UR
D703	UDZW6.2B-X	Z DIODE		G140J,G240J,G244 UI,G245U,G245UN,G245UT,G245UH,G248UF,G394UI,G395U,G395UN,G395UT,G395UH,G396U,G396UN,G396UT,G396UH,G398UF,G396SUI,S15J
D703	or MA8062/M/-X	Z DIODE		G140J,G240J,G244 UI,G245U,G245UN,G245UT,G245UH,G248UF,G394UI,G395U,G395UN,G395UT,G395UH,G396U,G396UN,G396UT,G396UH,G398UF,G396SUI,S15J
D703	or UDZW6.2B-X	Z DIODE		G299UR
D703	MA8062/M/-X	Z DIODE		G299UR

△ Symbol No.	Part No.	Part Name	Description	Local	△ Symbol No.	Part No.	Part Name	Description	Local
D704	UDZW6.2B-X	Z DIODE	G140J,G240J,G244 UI,G245U,G245UN,G245UT,G245UH,G248UF,G394UI,G395U,G395UN,G395UT,G395UH,G396U,G396UN,G396UT,G396UH,G398UF,G396SUI,S15J		D851	or CRS03-W	SB DIODE	G244UI,G245U,G245UN,G245UT,G245UH,G248UF,G394UI,G395U,G395UN,G395UT,G395UH,G396U,G396UN,G396UT,G396UH,G398UF,G396SUI	
D704	or MA8062/M-X	Z DIODE	G140J,G240J,G244 UI,G245U,G245UN,G245UT,G245UH,G248UF,G394UI,G395U,G395UN,G395UT,G395UH,G396U,G396UN,G396UT,G396UH,G398UF,G396SUI,S15J		D852	MA22D39-X	SB DIODE	G244UI,G245U,G245UN,G245UT,G245UH,G248UF,G394UI,G395U,G395UN,G395UT,G395UH,G396U,G396UN,G396UT,G396UH,G398UF,G396SUI	
D704	or UDZW6.2B-X	Z DIODE	G299UR		△ D901	1N5401-TU-15	SI DIODE	G140J,G240J,G244 UI,G245U,G245UN,G245UT,G245UH,G248UF,G394UI,G395U,G395UN,G395UT,G395UH,G396U,G396UN,G396UT,G396UH,G398UF,G396SUI,S15J	
D704	MA8062/M-X	Z DIODE	G299UR		△ D901	or 1N5401-F64	SI DIODE	G140J,G240J,G244 UI,G245U,G245UN,G245UT,G245UH,G248UF,G394UI,G395U,G395UN,G395UT,G395UH,G396U,G396UN,G396UT,G396UH,G398UF,G396SUI,S15J	
D705	UDZW6.2B-X	Z DIODE	G140J,G240J,G244 UI,G245U,G245UN,G245UT,G245UH,G248UF,G394UI,G395U,G395UN,G395UT,G395UH,G396U,G396UN,G396UT,G396UH,G398UF,G396SUI,S15J		△ D901	or 1N5401-TU-15	SI DIODE	G140J,G240J,G244 UI,G245U,G245UN,G245UT,G245UH,G248UF,G394UI,G395U,G395UN,G395UT,G395UH,G396U,G396UN,G396UT,G396UH,G398UF,G396SUI,S15J	
D705	or MA8062/M-X	Z DIODE	G140J,G240J,G244 UI,G245U,G245UN,G245UT,G245UH,G248UF,G394UI,G395U,G395UN,G395UT,G395UH,G396U,G396UN,G396UT,G396UH,G398UF,G396SUI,S15J		△ D901	or 1N5401-F64	SI DIODE	G140J,G240J,G244 UI,G245U,G245UN,G245UT,G245UH,G248UF,G394UI,G395U,G395UN,G395UT,G395UH,G396U,G396UN,G396UT,G396UH,G398UF,G396SUI,S15J	
D705	or UDZW6.2B-X	Z DIODE	G299UR		D903	MA22D23-X	SB DIODE	G299UR	
D705	MA8062/M-X	Z DIODE	G299UR		D903	or RB160M-30-X	SB DIODE	G299UR	
D706	UDZW6.2B-X	Z DIODE	G140J,G240J,G244 UI,G245U,G245UN,G245UT,G245UH,G248UF,G394UI,G395U,G395UN,G395UT,G395UH,G396U,G396UN,G396UT,G396UH,G398UF,G396SUI,S15J		D903	or CRS03-W	SB DIODE	G299UR	
D706	or MA8062/M-X	Z DIODE	G140J,G240J,G244 UI,G245U,G245UN,G245UT,G245UH,G248UF,G394UI,G395U,G395UN,G395UT,G395UH,G396U,G396UN,G396UT,G396UH,G398UF,G396SUI,S15J		D904	MA22D39-X	SB DIODE	G299UR	
D706	or UDZW6.2B-X	Z DIODE	G299UR		C1	NCB31HK-102X	C CAPACITOR	1000pF 50V K	
D706	MA8062/M-X	Z DIODE	G299UR		C2	NDC31HJ-7R0X	C CAPACITOR	7pF 50V J	
D781	MA111-X	SI DIODE			C3	NCB31HK-102X	C CAPACITOR	1000pF 50V K	
D781	or 1SS355W-X	DIODE			C4	NCB31AK-224X	C CAPACITOR	0.22uF 10V K	
D782	MA8100/M-X	Z DIODE			C5	NDC31HJ-150X	C CAPACITOR	15pF 50V J	
D782	or UDZW10B-X	Z DIODE			C6	NDC31HJ-220X	C CAPACITOR	22pF 50V J	
D783	MC2836-X	DIODE			C10	NCB21AK-105X	C CAPACITOR	1uF 10V K	
D783	or MA152WA-X	DIODE			C11	NCB31HK-103X	C CAPACITOR	0.01uF 50V K	
D851	MA22D23-X	SB DIODE	G244UI,G245U,G245UN,G245UT,G245UH,G248UF,G394UI,G395U,G395UN,G395UT,G395UH,G396U,G396UN,G396UT,G396UH,G398UF,G396SUI		C12	NCB31HK-103X	C CAPACITOR	0.01uF 50V K	
					C13	NCB21AK-105X	C CAPACITOR	1uF 10V K	
					C14	NCB31AK-224X	C CAPACITOR	0.22uF 10V K	
					C15	NCB31CK-104X	C CAPACITOR	0.1uF 16V K	
					C16	NCB31HK-103X	C CAPACITOR	0.01uF 50V K	
					C17	NCB31CK-104X	C CAPACITOR	0.1uF 16V K	
					C18	NCB31HK-103X	C CAPACITOR	0.01uF 50V K	
					C19	NCB31CK-104X	C CAPACITOR	0.1uF 16V K	
					C20	NDC31HJ-2R0X	C CAPACITOR	2pF 50V J	
					C21	NDC31HJ-120X	C CAPACITOR	12pF 50V J	
					C23	NCB31CK-104X	C CAPACITOR	0.1uF 16V K	
					C24	NCB31HK-103X	C CAPACITOR	0.01uF 50V K	
					C25	NCB31HK-103X	C CAPACITOR	0.01uF 50V K	
					C26	QEKJ1CM-107Z	E CAPACITOR	100uF 16V M	
					C27	QEKJ1EM-106Z	E CAPACITOR	10uF 25V M	
					C30	NCB31HK-223X	C CAPACITOR	0.022uF 50V K	G140J,G240J,G244 UI,G245U,G245UN,G245UT,G245UH,G248UF,G394UI,G395U,G395UN,G395UT,G395UH,G396U,G396UN,G396UT,G396UH,G398UF,G396SUI
D851	or RB160M-30-X	SB DIODE	G244UI,G245U,G245UN,G245UT,G245UH,G248UF,G394UI,G395U,G395UN,G395UT,G395UH,G396U,G396UN,G396UT,G396UH,G398UF,G396SUI		C30	NCB31EK-223X	C CAPACITOR	0.022uF 25V K	G396SUI,G299UR,S15J
					C161	NCB31AK-474X	C CAPACITOR	0.47uF 10V K	
					C163	NCB31HK-472X	C CAPACITOR	4700pF 50V K	
					C164	NCB31AK-224X	C CAPACITOR	0.22uF 10V K	
					C165	NCB31AK-224X	C CAPACITOR	0.22uF 10V K	
					C166	NCB31AK-474X	C CAPACITOR	0.47uF 10V K	
					C167	NCB31AK-474X	C CAPACITOR	0.47uF 10V K	
					C168	QTE1A57-107Z	E CAPACITOR	100uF 10V	
					C169	NCB31HK-103X	C CAPACITOR	0.01uF 50V K	

△ Symbol No.	Part No.	Part Name	Description	Local	△ Symbol No.	Part No.	Part Name	Description	Local
C171	QEKJ1HM-475Z	E CAPACITOR	4.7uF 50V M	G140J,G240J,G394 UI,G395U,G395UN,G395UT,G395UH,G396U,G396UN,G396UT,G396UH,G398UF,G396SUI,G299UR,S15J	C553	NCB31CK-104X	C CAPACITOR	0.1uF 16V K	
C173	QFV91HJ-474Z	MF CAPACITOR	0.47uF 50V J		C554	NCB31CK-104X	C CAPACITOR	0.1uF 16V K	
C174	QFV91HJ-474Z	MF CAPACITOR	0.47uF 50V J		C555	QEKJ0JM-476Z	E CAPACITOR	47uF 6.3V M	
C181	NCB31AK-474X	C CAPACITOR	0.47uF 10V K		C556	QEKJ1CM-226Z	E CAPACITOR	22uF 16V M	
C183	NCB31HK-472X	C CAPACITOR	4700pF 50V K		C557	NCB31EK-104X	C CAPACITOR	0.1uF 25V K	
C184	NCB31AK-224X	C CAPACITOR	0.22uF 10V K		C558	NCB31CK-104X	C CAPACITOR	0.1uF 16V K	
C186	NCB31AK-474X	C CAPACITOR	0.47uF 10V K		C559	QEKJ1CM-226Z	E CAPACITOR	22uF 16V M	
C187	NCB31AK-474X	C CAPACITOR	0.47uF 10V K		C560	NCB31CK-104X	C CAPACITOR	0.1uF 16V K	
C188	QTE1C57-106Z	E CAPACITOR	10uF 16V		C561	QEKJ0JM-227Z	E CAPACITOR	220uF 6.3V M	
C191	QEKJ1HM-475Z	E CAPACITOR	4.7uF 50V M	G140J,G240J,G394 UI,G395U,G395UN,G395UT,G395UH,G396U,G396UN,G396UT,G396UH,G398UF,G396SUI,G299UR,S15J	C562	NCB31CK-104X	C CAPACITOR	0.1uF 16V K	
C193	QFV91HJ-474Z	MF CAPACITOR	0.47uF 50V J		C563	NCB31CK-104X	C CAPACITOR	0.1uF 16V K	
C194	QFV91HJ-474Z	MF CAPACITOR	0.47uF 50V J		C564	NCB31CK-104X	C CAPACITOR	0.1uF 16V K	
C301	NCB31AK-474X	C CAPACITOR	0.47uF 10V K		C565	NCB31CK-104X	C CAPACITOR	0.1uF 16V K	
C302	NCB31AK-474X	C CAPACITOR	0.47uF 10V K		C566	NCB31CK-104X	C CAPACITOR	0.1uF 16V K	
C303	NCB31EK-223X	C CAPACITOR	0.022uF 25V K		C567	NCB31HK-562X	C CAPACITOR	5600pF 50V K	
C304	NCB31EK-223X	C CAPACITOR	0.022uF 25V K		C568	QEKJ0JM-476Z	E CAPACITOR	47uF 6.3V M	
C310	QTE1C57-476Z	E CAPACITOR	47uF 16V		C569	QEKJ1CM-226Z	E CAPACITOR	22uF 16V M	
C312	NDC31HJ-101X	C CAPACITOR	100pF 50V J		C581	NCB31HK-332X	C CAPACITOR	3300pF 50V K	
C313	NDC31HJ-101X	C CAPACITOR	100pF 50V J		C582	NDC31HJ-331X	C CAPACITOR	330pF 50V J	
C314	NDC31HJ-101X	C CAPACITOR	100pF 50V J		C583	QTE1H57-225Z	E CAPACITOR	2.2uF 50V	
C315	NDC31HJ-101X	C CAPACITOR	100pF 50V J		C591	NCB31HK-332X	C CAPACITOR	3300pF 50V K	
C316	NCB31HK-104X	C CAPACITOR	0.1uF 50V K	G140J,G240J,G244 UI,G245U,G245UN,G245UT,G245UH,G248UF,G394UI,G395U,G395UN,G395UT,G395UH,G396U,G396UN,G396UT,G396UH,G398UF	C592	NDC31HJ-331X	C CAPACITOR	330pF 50V J	
C316	NCB31EK-104X	C CAPACITOR	0.1uF 25V K	G396SUI,G299UR,S15J	C593	QTE1H57-225Z	E CAPACITOR	2.2uF 50V	
C318	QEKJ1CM-226Z	E CAPACITOR	22uF 16V M		C596	NDC31HJ-101X	C CAPACITOR	100pF 50V J	
C320	NCB31HK-103X	C CAPACITOR	0.01uF 50V K		C701	QEKJ0JM-227Z	E CAPACITOR	220uF 6.3V M	
C323	NCB21AK-225X-A	C CAPACITOR	2.2uF 10V K		C702	NCB31CK-104X	C CAPACITOR	0.1uF 16V K	
C381	NCB31HK-104X	C CAPACITOR	0.1uF 50V K	G140J,G240J,G244 UI,G245U,G245UN,G245UT,G245UH,G248UF,G394UI,G395U,G395UN,G395UT,G395UH,G396U,G396UN,G396UT,G396UH,G398UF	C705	NDC31HJ-180X	C CAPACITOR	18pF 50V J	
C381	NCB31EK-104X	C CAPACITOR	0.1uF 25V K	G396SUI,G299UR,S15J	C706	NDC31HJ-180X	C CAPACITOR	18pF 50V J	
C506	QEKJ1CM-107Z	E CAPACITOR	100uF 16V M		C707	QERF0JM-337Z	E CAPACITOR	330uF 6.3V M	
C507	NCB31EK-103X	C CAPACITOR	0.01uF 25V K		C708	NCB31EK-103X	C CAPACITOR	0.01uF 25V K	G140J,G240J,G244 UI,G245U,G245UN,G245UT,G245UH,G248UF,G394UI,G395U,G395UN,G395UT,G395UH,G396U,G396UN,G396UT,G396UH,G398UF
C508	NCB31EK-103X	C CAPACITOR	0.01uF 25V K		C718	NCB31EK-223X	C CAPACITOR	0.022uF 25V K	G396SUI,G299UR,S15J
C509	QEKJ0JM-227Z	E CAPACITOR	220uF 6.3V M		C751	QEKJ0JM-227Z	E CAPACITOR	220uF 6.3V M	
C510	NCB31EK-103X	C CAPACITOR	0.01uF 25V K		C752	NCB31CK-104X	C CAPACITOR	0.1uF 16V K	
C531	NDC31HJ-470X	C CAPACITOR	47pF 50V J		C753	NCB31CK-104X	C CAPACITOR	0.1uF 16V K	
C532	NCB31CK-153X	C CAPACITOR	0.015uF 16V K		C754	NCB31CK-104X	C CAPACITOR	0.1uF 16V K	
C533	NCB31HK-103X	C CAPACITOR	0.01uF 50V K		C755	NCB31CK-104X	C CAPACITOR	0.1uF 16V K	
C534	NCB31HK-222X	C CAPACITOR	2200pF 50V K		C756	NCB31HK-103X	C CAPACITOR	0.01uF 50V K	
C535	NCB31CK-104X	C CAPACITOR	0.1uF 16V K		C757	NCB31CK-104X	C CAPACITOR	0.1uF 16V K	
C536	NCB31HK-103X	C CAPACITOR	0.01uF 50V K		C759	NCB31AK-474X	C CAPACITOR	0.47uF 10V K	
C537	NCB31HK-472X	C CAPACITOR	4700pF 50V K		C771	NDC31HJ-101X	C CAPACITOR	100pF 50V J	
C538	NCB31CK-104X	C CAPACITOR	0.1uF 16V K		C772	NDC31HJ-101X	C CAPACITOR	100pF 50V J	
C539	NCB31AK-154X	C CAPACITOR	0.15uF 10V K		C781	QEKJ0JM-227Z	E CAPACITOR	220uF 6.3V M	
C540	NCB31CK-104X	C CAPACITOR	0.1uF 16V K		C782	QEKJ1CM-476Z	E CAPACITOR	47uF 16V M	
C541	NDC31HJ-680X	C CAPACITOR	68pF 50V J		C851	NCB31HK-104X	C CAPACITOR	0.1uF 50V K	G244UI,G245U,G245UN,G245UT,G245UH,G248UF,G394UI,G395U,G395UN,G395UT,G395UH,G396U,G396UN,G396UT,G396UH,G398UF
C542	NCB31HK-103X	C CAPACITOR	0.01uF 50V K		C901	QEZ0645-228	E CAPACITOR	2200uF 16V M	G140J,G240J,G244 UI,G245U,G245UN,G245UT,G245UH,G248UF,G394UI,G395U,G395UN,G395UT,G395UH,G396U,G396UN,G396UT,G396UH,G398UF
C543	QEKJ1CM-107Z	E CAPACITOR	100uF 16V M		C901	QEZ0870-228	E CAPACITOR	2200uF	G396SUI,G299UR,S15J
C544	NCB31CK-104X	C CAPACITOR	0.1uF 16V K		C902	NCB31HK-104X	C CAPACITOR	0.1uF 50V K	G140J,G240J,G244 UI,G245U,G245UN,G245UT,G245UH,G248UF,G394UI,G395U,G395UN,G395UT,G395UH,G396U,G396UN,G396UT,G396UH,G398UF
C545	NCB31HK-333X	C CAPACITOR	0.033uF 50V K		C902	NCB31EK-104X	C CAPACITOR	0.1uF 25V K	G396SUI,G299UR,S15J
C546	NCB31HK-333X	C CAPACITOR	0.033uF 50V K		C903	QEKJ1CM-226Z	E CAPACITOR	22uF 16V M	
C547	NDC31HJ-471X	C CAPACITOR	470pF 50V J		C905	QEKJ1CM-107Z	E CAPACITOR	100uF 16V M	
C548	NDC31HJ-471X	C CAPACITOR	470pF 50V J						
C549	NCB31CK-473X	C CAPACITOR	0.047uF 16V K						
C550	NCB31CK-473X	C CAPACITOR	0.047uF 16V K						

△ Symbol No.	Part No.	Part Name	Description	Local
C906	NCB31HK-103X	C CAPACITOR	0.01uF 50V K	
C909	NCB31HK-103X	C CAPACITOR	0.01uF 50V K	
C910	QEKJ1CM-226Z	E CAPACITOR	22uF 16V M	
C911	QEKJ0JM-227Z	E CAPACITOR	220uF 6.3V M	
C914	NCB31EK-104X	C CAPACITOR	0.1uF 25V K	
C916	NCB21EK-474X	C CAPACITOR	0.47uF 25V K	
R1	NRSA63J-474X	MG RESISTOR	470kΩ 1/16W J	
R2	NRSA63J-474X	MG RESISTOR	470kΩ 1/16W J	
R4	NRSA63J-472X	MG RESISTOR	4.7kΩ 1/16W J	
R5	NRS181J-220X	MG RESISTOR	22Ω 1/8W J	
R6	NRS181J-101X	MG RESISTOR	100Ω 1/8W J	
R7	NRS181J-101X	MG RESISTOR	100Ω 1/8W J	
R11	NRS181J-4R7X	MG RESISTOR	4.7Ω 1/8W J	
R81	NRSA63J-752X	MG RESISTOR	7.5kΩ 1/16W J	G140J,G240J,G299UR,S15J
R81	NRSA63J-682X	MG RESISTOR	6.8kΩ 1/16W J	G244UI,G245U,G245UN,G245UT,G245UH,G248UF,G394UI,G395U,G395UN,G395UT,G395UH,G396U,G396UN,G396UT,G396UH,G398UF,G396SUI
R82	NRSA63J-392X	MG RESISTOR	3.9kΩ 1/16W J	G140J,G240J,G299UR,S15J
R82	NRSA63J-822X	MG RESISTOR	8.2kΩ 1/16W J	G244UI,G245U,G245UN,G245UT,G245UH,G248UF,G394UI,G395U,G395UN,G395UT,G395UH,G396U,G396UN,G396UT,G396UH,G398UF,G396SUI
R91	NRSA63J-752X	MG RESISTOR	7.5kΩ 1/16W J	G140J,G240J,G299UR,S15J
R91	NRSA63J-682X	MG RESISTOR	6.8kΩ 1/16W J	G244UI,G245U,G245UN,G245UT,G245UH,G248UF,G394UI,G395U,G395UN,G395UT,G395UH,G396U,G396UN,G396UT,G396UH,G398UF,G396SUI
R92	NRSA63J-392X	MG RESISTOR	3.9kΩ 1/16W J	G140J,G240J,G299UR,S15J
R92	NRSA63J-822X	MG RESISTOR	8.2kΩ 1/16W J	G244UI,G245U,G245UN,G245UT,G245UH,G248UF,G394UI,G395U,G395UN,G395UT,G395UH,G396U,G396UN,G396UT,G396UH,G398UF,G396SUI
R161	NRSA63J-472X	MG RESISTOR	4.7kΩ 1/16W J	
R162	NRSA63J-103X	MG RESISTOR	10kΩ 1/16W J	
R163	NRSA63J-472X	MG RESISTOR	4.7kΩ 1/16W J	
R164	NRSA63J-101X	MG RESISTOR	100Ω 1/16W J	
R165	NRSA63J-101X	MG RESISTOR	100Ω 1/16W J	
R166	NRSA63J-333X	MG RESISTOR	33kΩ 1/16W J	
R167	NRS181J-2R2X	MG RESISTOR	2.2Ω 1/8W J	
R171	NRSA63J-473X	MG RESISTOR	47kΩ 1/16W J	G140J,G240J,G394UI,G395U,G395UN,G395UT,G395UH,G396U,G396UN,G396UT,G396UH,G398UF,G396SUI,G299UR,S15J
R181	NRSA63J-472X	MG RESISTOR	4.7kΩ 1/16W J	
R182	NRSA63J-103X	MG RESISTOR	10kΩ 1/16W J	
R183	NRSA63J-472X	MG RESISTOR	4.7kΩ 1/16W J	
R191	NRSA63J-473X	MG RESISTOR	47kΩ 1/16W J	G140J,G240J,G394UI,G395U,G395UN,G395UT,G395UH,G396U,G396UN,G396UT,G396UH,G398UF,G396SUI,G299UR,S15J
R301	NRSA63J-102X	MG RESISTOR	1kΩ 1/16W J	
R302	NRSA63J-473X	MG RESISTOR	47kΩ 1/16W J	
R303	NRSA63J-103X	MG RESISTOR	10kΩ 1/16W J	

△ Symbol No.	Part No.	Part Name	Description	Local
R304	NRSA63J-0R0X	MG RESISTOR	0Ω 1/16W J	G140J,G240J,G244UI,G245U,G245UN,G245UT,G245UH,G248UF,G394UI,G395U,G395UN,G395UT,G395UH,G396U,G396UN,G396UT,G396UH,G398UF,G396SUI
R304	NRSA63J-472X	MG RESISTOR	4.7kΩ 1/16W J	G396SUI,G299UR,S15J
R341	NRSA63J-821X	MG RESISTOR	820Ω 1/16W J	G140J,G240J,G394UI,G395U,G395UN,G395UT,G395UH,G396U,G396UN,G396UT,G396UH,G398UF,G396SUI,G299UR,S15J
R342	NRSA63J-101X	MG RESISTOR	100Ω 1/16W J	G140J,G240J,G394UI,G395U,G395UN,G395UT,G395UH,G396U,G396UN,G396UT,G396UH,G398UF,G396SUI
R351	NRSA63J-821X	MG RESISTOR	820Ω 1/16W J	G140J,G240J,G394UI,G395U,G395UN,G395UT,G395UH,G396U,G396UN,G396UT,G396UH,G398UF,G396SUI
R352	NRSA63J-101X	MG RESISTOR	100Ω 1/16W J	G140J,G240J,G394UI,G395U,G395UN,G395UT,G395UH,G396U,G396UN,G396UT,G396UH,G398UF,G396SUI
R501	NRS181J-273X	MG RESISTOR	27kΩ 1/8W J	
R502	NRSA63J-223X	MG RESISTOR	22kΩ 1/16W J	
R503	NRS181J-103X	MG RESISTOR	10kΩ 1/8W J	
R504	NRSA63J-273X	MG RESISTOR	27kΩ 1/16W J	
R505	NRSA63J-223X	MG RESISTOR	22kΩ 1/16W J	
R506	NRSA63J-103X	MG RESISTOR	10kΩ 1/16W J	
R507	NRSA63J-273X	MG RESISTOR	27kΩ 1/16W J	
R508	NRSA63J-223X	MG RESISTOR	22kΩ 1/16W J	
R509	NRSA63J-333X	MG RESISTOR	33kΩ 1/16W J	
R510	NRSA63J-223X	MG RESISTOR	22kΩ 1/16W J	
R511	NRS181J-100X	MG RESISTOR	10Ω 1/8W J	
R513	NRS181J-822X	MG RESISTOR	8.2kΩ 1/8W J	
R514	NRSA63J-512X	MG RESISTOR	5.1kΩ 1/16W J	
R515	NRSA63J-103X	MG RESISTOR	10kΩ 1/16W J	
R516	NRS181J-333X	MG RESISTOR	33kΩ 1/8W J	
R517	NRSA63J-683X	MG RESISTOR	68kΩ 1/16W J	
R518	NRS181J-151X	MG RESISTOR	150Ω 1/8W J	
R519	NRSA63J-471X	MG RESISTOR	470Ω 1/16W J	
R531	NRSA63J-0R0X	MG RESISTOR	0Ω 1/16W J	
R532	NRSA63J-334X	MG RESISTOR	330kΩ 1/16W J	
R533	NRSA63J-153X	MG RESISTOR	15kΩ 1/16W J	
R534	NRSA63J-473X	MG RESISTOR	47kΩ 1/16W J	
R535	NRSA63J-221X	MG RESISTOR	220Ω 1/16W J	
R536	NRS181J-0R0X	MG RESISTOR	0Ω 1/8W J	
R537	NRS181J-0R0X	MG RESISTOR	0Ω 1/8W J	
R538	NRS181J-0R0X	MG RESISTOR	0Ω 1/8W J	
R539	NRS181J-0R0X	MG RESISTOR	0Ω 1/8W J	
R541	NRSA02J-100X	MG RESISTOR	10Ω 1/10W J	
R542	NRSA63J-101X	MG RESISTOR	100Ω 1/16W J	
R543	NRSA63J-332X	MG RESISTOR	3.3kΩ 1/16W J	
R544	NRSA63J-682X	MG RESISTOR	6.8kΩ 1/16W J	
R545	NRSA63J-101X	MG RESISTOR	100Ω 1/16W J	
R546	NRSA63J-101X	MG RESISTOR	100Ω 1/16W J	
R548	NRSA63J-473X	MG RESISTOR	47kΩ 1/16W J	
R549	NRSA63J-105X	MG RESISTOR	1MΩ 1/16W J	
R550	NRSA63J-391X	MG RESISTOR	390Ω 1/16W J	
R551	NRSA63J-225X	MG RESISTOR	2.2MΩ 1/16W J	
R552	NRSA63J-225X	MG RESISTOR	2.2MΩ 1/16W J	
R553	NRSA63J-221X	MG RESISTOR	220Ω 1/16W J	
R581	NRSA63J-821X	MG RESISTOR	820Ω 1/16W J	
R582	NRSA63J-822X	MG RESISTOR	8.2kΩ 1/16W J	
R583	NRSA63J-0R0X	MG RESISTOR	0Ω 1/16W J	
R585	NRSA63J-0R0X	MG RESISTOR	0Ω 1/16W J	
R591	NRS181J-821X	MG RESISTOR	820Ω 1/8W J	

△ Symbol No.	Part No.	Part Name	Description	Local	△ Symbol No.	Part No.	Part Name	Description	Local
R592	NRSA63J-822X	MG RESISTOR	8.2kΩ 1/16W J		R783	NRSA63J-102X	MG RESISTOR	1kΩ 1/16W J	
R593	NRSA63J-0R0X	MG RESISTOR	0Ω 1/16W J		R784	NRSA63J-102X	MG RESISTOR	1kΩ 1/16W J	
R595	NRSA63J-0R0X	MG RESISTOR	0Ω 1/16W J		R785	NRSA63J-102X	MG RESISTOR	1kΩ 1/16W J	
R701	NRS181J-473X	MG RESISTOR	47kΩ 1/8W J	G240J,G394UI,G395U,G395UN,G395UT,G396UH,G396UF,G396UI,G396UN,G396UT,G396UH,G398UF,G396SUI,G299UR	R851	NRS181J-103X	MG RESISTOR	10kΩ 1/8W J	G244UI,G245U,G245UN,G245UT,G245UH,G248UF,G394UI,G395U,G395UN,G395UT,G396UH,G396UF,G396SUI
R702	NRSA63J-473X	MG RESISTOR	47kΩ 1/16W J	G140J,G244UI,G245U,G245UN,G245UT,G245UH,G248UF,S15J	R881	NRSA63J-682X	MG RESISTOR	6.8kΩ 1/16W J	
R703	NRS181J-473X	MG RESISTOR	47kΩ 1/8W J	G244UI,G245U,G245UN,G245UT,G245UH,G248UF,G394UI,G395U,G395UN,G395UT,G396UH,G396UF,G396UI,G396UN,G396UT,G396UH,G398UF,G396SUI	R882	NRSA63J-123X	MG RESISTOR	12kΩ 1/16W J	
R704	NRSA63J-473X	MG RESISTOR	47kΩ 1/16W J	G140J,G240J,G299UR,S15J	R883	NRS181J-102X	MG RESISTOR	1kΩ 1/8W J	
R705	NRSA63J-0R0X	MG RESISTOR	0Ω 1/16W J		R901	QRE141J-103Y	C RESISTOR	10kΩ 1/4W J	
R706	NRSA63J-473X	MG RESISTOR	47kΩ 1/16W J		R903	NRSA63J-472X	MG RESISTOR	4.7kΩ 1/16W J	
R707	NRSA63J-106X	MG RESISTOR	10MΩ 1/16W J		R911	NRS181J-102X	MG RESISTOR	1kΩ 1/8W J	
R708	NRSA63J-473X	MG RESISTOR	47kΩ 1/16W J		R976	NRSA63J-123X	MG RESISTOR	12kΩ 1/16W J	
R710	NRSA63J-103X	MG RESISTOR	10kΩ 1/16W J		R977	NRSA63J-273X	MG RESISTOR	27kΩ 1/16W J	
R711	NRSA63J-104X	MG RESISTOR	100kΩ 1/16W J		R978	NRSA63J-473X	MG RESISTOR	47kΩ 1/16W J	
R712	NRSA63J-103X	MG RESISTOR	10kΩ 1/16W J		L1	NQL093K-R47X	COIL	0.47uH K	
R713	NRSA63J-104X	MG RESISTOR	100kΩ 1/16W J		L2	NQL093K-1R8X	COIL	1.8uH K	
R717	NRSA63J-471X	MG RESISTOR	470Ω 1/16W J		L3	QQR1773-001	COIL		G140J,G240J,G244UI,G245U,G245UN,G245UT,G245UH,G248UF,G394UI,G395U,G395UN,G395UT,G396UH,G396UF,G396UI,G396UN,G396UT,G396UH,G398UF,G396SUI,G299UR,S15J
R718	NRSA63J-473X	MG RESISTOR	47kΩ 1/16W J		L3	QQL213M-R22Z	COIL	0.22uH M	
R719	NRSA63J-101X	MG RESISTOR	100Ω 1/16W J		L4	QQR1813-001	COIL		
R721	NRSA63J-473X	MG RESISTOR	47kΩ 1/16W J		L5	QQL244J-561Z	COIL	560uH J	
R722	NRSA63J-473X	MG RESISTOR	47kΩ 1/16W J		L6	QQL244J-561Z	COIL	560uH J	
R723	NRS181J-223X	MG RESISTOR	22kΩ 1/8W J		L7	QQL244J-4R7Z	P COIL	4.7uH J	
R724	NRS181J-472X	MG RESISTOR	4.7kΩ 1/8W J	G140J,G240J,G394UI,G395U,G395UN,G395UT,G396UH,G396UI,G396UN,G396UT,G396UH,G398UF,G396SUI,G299UR,S15J	L8	QQL244J-4R7Z	P COIL	4.7uH J	
R724	NRS181J-0R0X	MG RESISTOR	0Ω 1/8W J	G244UI,G245U,G245UN,G245UT,G245UH,G248UF	L531	QQL244J-4R7Z	P COIL	4.7uH J	
R725	NRSA63J-683X	MG RESISTOR	68kΩ 1/16W J		L701	QQL244J-4R7Z	P COIL	4.7uH J	
R731	NRS181J-103X	MG RESISTOR	10kΩ 1/8W J		L702	QQL244J-4R7Z	P COIL	4.7uH J	
R732	NRSA63J-472X	MG RESISTOR	4.7kΩ 1/16W J		L901	QQR1809-001	CHOKE COIL		
R733	NRS181J-103X	MG RESISTOR	10kΩ 1/8W J		CN501	QGB2027MD-26	CONNECTOR	B-B (1-26)	
R734	NRSA63J-472X	MG RESISTOR	4.7kΩ 1/16W J		CN701	QZG1601J1-15	CONNECTOR	(1-15)	
R735	NRS181J-103X	MG RESISTOR	10kΩ 1/8W J		CN901	QNZ0611-001	CONNECTOR	16P	
R736	NRS181J-472X	MG RESISTOR	4.7kΩ 1/8W J		J1	QNB0190-001	ANTENNA JACK		
R737	NRSA63J-473X	MG RESISTOR	47kΩ 1/16W J		J321	QNN0802-001	PIN JACK		G140J,G240J,G394UI,G395U,G395UN,G395UT,G396UH,G396UI,G396UN,G396UT,G396UH,G398UF,G396SUI,G299UR,S15J
R738	NRSA63J-473X	MG RESISTOR	47kΩ 1/16W J		S701	QSW0648-001Z	TACT SWITCH		
R751	NRSA63J-102X	MG RESISTOR	1kΩ 1/16W J		X1	QAX0928-001Z	CRYSTAL		
R752	NRS181J-102X	MG RESISTOR	1kΩ 1/8W J		X551	QAX0929-001Z	C RESONATOR		
R753	NRSA63J-472X	MG RESISTOR	4.7kΩ 1/16W J		X701	QAX0667-001Z	C RESONATOR	8.000MHz	
R754	NRSA63J-472X	MG RESISTOR	4.7kΩ 1/16W J		X702	QAX0401-001	CRYSTAL	32.768KHz	
R755	NRSA63J-102X	MG RESISTOR	1kΩ 1/16W J						
R756	NRSA63J-473X	MG RESISTOR	47kΩ 1/16W J						
R757	NRSA63J-473X	MG RESISTOR	47kΩ 1/16W J						
R758	NRSA63J-473X	MG RESISTOR	47kΩ 1/16W J						
R760	NRSA63J-473X	MG RESISTOR	47kΩ 1/16W J						
R761	NRSA63J-473X	MG RESISTOR	47kΩ 1/16W J						
R762	NRSA63J-473X	MG RESISTOR	47kΩ 1/16W J						
R763	NRSA63J-473X	MG RESISTOR	47kΩ 1/16W J						
R764	NRSA63J-473X	MG RESISTOR	47kΩ 1/16W J						
R765	NRSA63J-473X	MG RESISTOR	47kΩ 1/16W J						
R766	NRSA63J-102X	MG RESISTOR	1kΩ 1/16W J						
R767	NRSA63J-102X	MG RESISTOR	1kΩ 1/16W J						
R768	NRSA63J-102X	MG RESISTOR	1kΩ 1/16W J						
R769	NRS181J-102X	MG RESISTOR	1kΩ 1/8W J						
R770	NRSA63J-472X	MG RESISTOR	4.7kΩ 1/16W J						
R771	NRS181J-102X	MG RESISTOR	1kΩ 1/8W J						
R772	NRSA63J-472X	MG RESISTOR	4.7kΩ 1/16W J						
R773	NRS181J-102X	MG RESISTOR	1kΩ 1/8W J						
R774	NRSA63J-102X	MG RESISTOR	1kΩ 1/16W J						
R775	NRSA63J-102X	MG RESISTOR	1kΩ 1/16W J						
R782	NRSA63J-473X	MG RESISTOR	47kΩ 1/16W J						

# Main board

**(OnlyKD-G341E,EX,EY,EU,  
KD-G342E,EX,EY,EU,  
KD-G343E,EX,EY,EU,  
KD-G347SEE,KD-G347BEE,  
KD-G347BEE,2KD-G347SEE2)**

Block No. [0][2]

△ Symbol No.	Part No.	Part Name	Description	Local
△ IC1	TEF6606T/V2-X	IC		
IC71	LC72725KM-X	IC		
IC101	NJM4565E-X	IC		
IC161	NJW1192V-X	IC		
△ IC301	TB2926HQ	IC		
△ IC501	LA6565-X	IC		
△ IC521	MN6627945EE	IC		
△ IC701	MN101E16KDC	IC		
			G341E,G341EX, G341EY,G341EU, G342E,G342EX, G342EY,G342EU, G343E,G343EX, G343EY,G343EU, G347SEE,G347B EE	
△ IC701	MN101E16KDC1	IC		G347BEE2,G347 SEE2
IC702	S-80824CNNB-G- W	IC		
IC702	or IC-PST3424U-X	IC		
IC771	S-24CS16A0I-G-X	IC		
△ IC901	AN34001A	REGULATOR IC		
IC981	NJU772F15-X	IC		
Q341	RT3X99M-X	TRANSISTOR		G341E,G341EX, G341EY,G341EU, G342E,G342EX, G342EY,G342EU, G343E,G343EX, G343EY,G343EU
Q501	2SA1705/ST-T	TRANSISTOR		
Q521	ISA1530AC1/R/-X	TRANSISTOR		
Q521	or 2SB709A/QR/-X	TRANSISTOR		
Q781	RT1P141C-X	DIGI TRANSISTOR		
Q781	or UN2111-X	TRANSISTOR		
Q782	RT6N430C-X	TRANSISTOR		
Q784	RT1P141C-X	DIGI TRANSISTOR		
Q784	or UN2111-X	TRANSISTOR		
Q882	RT1P141C-X	DIGI TRANSISTOR		
Q882	or UN2111-X	TRANSISTOR		
Q883	RT1N141C-X	DIGI TRANSISTOR		
Q883	or UN2211-X	TRANSISTOR		
Q891	RT1N141C-X	DIGI TRANSISTOR		
Q891	or UN2211-X	TRANSISTOR		
Q976	RT1N141C-X	DIGI TRANSISTOR		
Q976	or UN2211-X	TRANSISTOR		
Q977	ISA1530AC1/R/-X	TRANSISTOR		
Q977	or 2SB709A/QR/-X	TRANSISTOR		
D1	MA111-X	SI DIODE		
D1	or 1SS355W-X	DIODE		
D2	MA111-X	SI DIODE		
D2	or 1SS355W-X	DIODE		
D331	MC2836-X	DIODE		G341E,G341EX, G341EY,G341EU, G342E,G342EX, G342EY,G342EU, G343E,G343EX, G343EY,G343EU

△ Symbol No.	Part No.	Part Name	Description	Local
D331	or MA152WA-X	DIODE		G341E,G341EX, G341EY,G341EU, G342E,G342EX, G342EY,G342EU, G343E,G343EX, G343EY,G343EU
D342	IMSA6802-X	C CAPACITOR		G341E,G341EX, G341EY,G341EU, G342E,G342EX, G342EY,G342EU, G343E,G343EX, G343EY,G343EU
D352	IMSA6802-X	C CAPACITOR		G341E,G341EX, G341EY,G341EU, G342E,G342EX, G342EY,G342EU, G343E,G343EX, G343EY,G343EU
D501	1A3G-T1	SI DIODE		
D712	MA111-X	SI DIODE		
D712	or 1SS355W-X	DIODE		
D713	MA8056/M/-X	Z DIODE		
D713	or UDZW5.6B-X	Z DIODE		
D715	MA8062/M/-X	Z DIODE		
D715	or UDZW6.2B-X	Z DIODE		
D716	MA8062/M/-X	Z DIODE		
D716	or UDZW6.2B-X	Z DIODE		
D717	MA8062/M/-X	Z DIODE		
D717	or UDZW6.2B-X	Z DIODE		
D718	MA8062/M/-X	Z DIODE		
D718	or UDZW6.2B-X	Z DIODE		
D781	MA111-X	SI DIODE		
D781	or 1SS355W-X	DIODE		
D782	MA111-X	SI DIODE		
D782	or 1SS355W-X	DIODE		
D784	MA8110/M/-X	Z DIODE		
D784	or UDZW11B-X	Z DIODE		
D786	MA111-X	SI DIODE		
D786	or 1SS355W-X	DIODE		
D787	MA111-X	SI DIODE		
D787	or 1SS355W-X	DIODE		
D891	MC2836-X	DIODE		
D891	or MA152WA-X	DIODE		
△ D901	1N5401-F64	SI DIODE		
△ D901	or 1N5401-TU-15	SI DIODE		
D902	GS1J-X	DIODE		G341E,G341EX, G341EY,G341EU, G342E,G342EX, G342EY,G342EU, G343E,G343EX, G343EY,G343EU
D971	MA22D23-X	SB DIODE		
D971	or RB160M-30-X	SB DIODE		
D971	or CRS03-W	SB DIODE		
D972	MA22D39-X	SB DIODE		
C1	NCB31HK-102X	C CAPACITOR	1000pF 50V K	
C2	NDC31HJ-7R0X	C CAPACITOR	7pF 50V J	
C3	NCB31HK-104X	C CAPACITOR	0.1uF 50V K	G341E,G341EX, G341EY,G341EU, G342E,G342EX, G342EY,G342EU, G343E,G343EX, G343EY,G343EU
C3	NCB31EK-104X	C CAPACITOR	0.1uF 25V K	G347SEE2,G347 SEE2
C4	NCB31AK-224X	C CAPACITOR	0.22uF 10V K	
C5	NDC31HJ-150X	C CAPACITOR	15pF 50V J	
C6	NDC31HJ-2R0X	C CAPACITOR	2pF 50V J	
C7	NDC31HJ-220X	C CAPACITOR	22pF 50V J	
C10	NCB21AK-105X	C CAPACITOR	1uF 10V K	
C11	NCB31HK-103X	C CAPACITOR	0.01uF 50V K	
C12	NCB31HK-103X	C CAPACITOR	0.01uF 50V K	
C13	NCB21AK-105X	C CAPACITOR	1uF 10V K	
C14	NCB31AK-224X	C CAPACITOR	0.22uF 10V K	
C15	NCB31CK-104X	C CAPACITOR	0.1uF 16V K	
C16	NCB31HK-103X	C CAPACITOR	0.01uF 50V K	
C17	NCB31CK-104X	C CAPACITOR	0.1uF 16V K	
C18	NCB31HK-103X	C CAPACITOR	0.01uF 50V K	

△ Symbol No.	Part No.	Part Name	Description	Local	△ Symbol No.	Part No.	Part Name	Description	Local
C19	NCB31CK-104X	C CAPACITOR	0.1uF 16V K		C181	NCB31HK-103X	C CAPACITOR	0.01uF 50V K	
C22	NDC31HJ-120X	C CAPACITOR	12pF 50V J		C182	QTE1A57-107Z	E CAPACITOR	100uF 10V	
C23	NCB31CK-104X	C CAPACITOR	0.1uF 16V K		C183	QTE1C57-106Z	E CAPACITOR	10uF 16V	
C24	NCB31HK-103X	C CAPACITOR	0.01uF 50V K		C301	QFV91HJ-474Z	MF CAPACITOR	0.47uF 50V J	
C25	NCB31HK-103X	C CAPACITOR	0.01uF 50V K		C302	QFV91HJ-474Z	MF CAPACITOR	0.47uF 50V J	
C26	QEKJ1CM-107Z	E CAPACITOR	100uF 16V M		C303	NDC31HJ-101X	C CAPACITOR	100pF 50V J	
C27	QEKJ1EM-106Z	E CAPACITOR	10uF 25V M		C304	NDC31HJ-101X	C CAPACITOR	100pF 50V J	
C33	NDC31HJ-5R6X	C CAPACITOR	5.6pF 50V J		C310	NCB21AK-225X-A	C CAPACITOR	2.2uF 10V K	
C34	NDC31HJ-470X	C CAPACITOR	47pF 50V J		C311	QFV91HJ-474Z	MF CAPACITOR	0.47uF 50V J	
C71	NDC31HJ-561X	C CAPACITOR	560pF 50V J		C312	QFV91HJ-474Z	MF CAPACITOR	0.47uF 50V J	
C72	NDC31HJ-331X	C CAPACITOR	330pF 50V J		C313	NDC31HJ-101X	C CAPACITOR	100pF 50V J	
C73	QEKJ1EM-106Z	E CAPACITOR	10uF 25V M		C314	NDC31HJ-101X	C CAPACITOR	100pF 50V J	
C74	NDC31HJ-330X	C CAPACITOR	33pF 50V J		C315	QEKJ1HM-225Z	E CAPACITOR	2.2uF 50V M	
C75	NDC31HJ-330X	C CAPACITOR	33pF 50V J		C316	QEKJ1HM-475Z	E CAPACITOR	4.7uF 50V M	
C76	NCB31HK-103X	C CAPACITOR	0.01uF 50V K		C317	QTE1C57-476Z	E CAPACITOR	47uF 16V	
C77	QEKJ0JM-476Z	E CAPACITOR	47uF 6.3V M		C318	QEKJ1CM-226Z	E CAPACITOR	22uF 16V M	
C78	NCB31HK-103X	C CAPACITOR	0.01uF 50V K		C319	NCB31EK-223X	C CAPACITOR	0.022uF 25V K	
C101	QEKJ1HM-105Z	E CAPACITOR	1uF 50V M		C320	NCB31EK-223X	C CAPACITOR	0.022uF 25V K	
C102	QEKJ1HM-105Z	E CAPACITOR	1uF 50V M		C385	QEKJ1HM-475Z	E CAPACITOR	4.7uF 50V M	G341E,G341EX, G341EY,G341EU, G342E,G342EX, G342EY,G342EU, G343E,G343EX, G343EY,G343EU, G347SEE,G347B EE
C103	NDC31HK-101X	C CAPACITOR	100pF 50V K	G341E,G341EX, G341EY,G341EU, G342E,G342EX, G342EY,G342EU, G343E,G343EX, G343EY,G343EU, G347SEE,G347B EE	C386	QEKJ1HM-475Z	E CAPACITOR	4.7uF 50V M	G341E,G341EX, G341EY,G341EU, G342E,G342EX, G342EY,G342EU, G343E,G343EX, G343EY,G343EU
C103	NDC31HJ-101X	C CAPACITOR	100pF 50V J	G347BEE2,G347 SEE2	C501	QEKJ0JM-227Z	E CAPACITOR	220uF 6.3V M	
C104	NDC31HK-101X	C CAPACITOR	100pF 50V K	G341E,G341EX, G341EY,G341EU, G342E,G342EX, G342EY,G342EU, G343E,G343EX, G343EY,G343EU, G347SEE,G347B EE	C503	QEKJ1AM-227Z	E CAPACITOR	220uF 10V M	
C104	NDC31HJ-101X	C CAPACITOR	100pF 50V J	G347BEE2,G347 SEE2	C504	NCB31EK-104X	C CAPACITOR	0.1uF 25V K	
C111	QEKJ1HM-105Z	E CAPACITOR	1uF 50V M		C505	NCB31EK-104X	C CAPACITOR	0.1uF 25V K	
C112	QEKJ1HM-105Z	E CAPACITOR	1uF 50V M		C507	NCB31CK-473X	C CAPACITOR	0.047uF 16V K	
C113	NDC31HK-101X	C CAPACITOR	100pF 50V K	G341E,G341EX, G341EY,G341EU, G342E,G342EX, G342EY,G342EU, G343E,G343EX, G343EY,G343EU, G347SEE,G347B EE	C511	NCB31HK-222X	C CAPACITOR	2200pF 50V K	
C113	NDC31HJ-101X	C CAPACITOR	100pF 50V J	G347BEE2,G347 SEE2	C513	NCB31HK-682X	C CAPACITOR	6800pF 50V K	
C114	NDC31HK-101X	C CAPACITOR	100pF 50V K	G341E,G341EX, G341EY,G341EU, G342E,G342EX, G342EY,G342EU, G343E,G343EX, G343EY,G343EU, G347SEE,G347B EE	C515	NCB31HK-122X	C CAPACITOR	1200pF 50V K	
C114	NDC31HJ-101X	C CAPACITOR	100pF 50V J	G347BEE2,G347 SEE2	C517	NCB31HK-182X	C CAPACITOR	1800pF 50V K	
C115	NCB31EK-473X	C CAPACITOR	0.047uF 25V K		C518	NDC31HJ-680X	C CAPACITOR	68pF 50V J	
C116	QEKJ1EM-106Z	E CAPACITOR	10uF 25V M		C521	NCB31EK-104X	C CAPACITOR	0.1uF 25V K	
C117	QEKJ1EM-106Z	E CAPACITOR	10uF 25V M		C522	NCB31AK-334X	C CAPACITOR	0.33uF 10V K	
C121	NCB31HK-472X	C CAPACITOR	4700pF 50V K		C524	NDC31HJ-561X	C CAPACITOR	560pF 50V J	
C122	NCB31HK-472X	C CAPACITOR	4700pF 50V K		C525	NCB31CK-223X	C CAPACITOR	0.022uF 16V K	
C160	QEKJ1CM-226Z	E CAPACITOR	22uF 16V M		C526	NCB31CK-223X	C CAPACITOR	0.022uF 16V K	
C161	QTE1H57-105Z	E CAPACITOR	1uF 50V		C527	NCB31EK-332X	C CAPACITOR	3300pF 25V K	
C164	NCB31HK-471X	C CAPACITOR	470pF 50V K		C528	NDC31HJ-181X	C CAPACITOR	180pF 50V J	
C165	NCB31AK-154X	C CAPACITOR	0.15uF 10V K		C529	NCB31HK-103X	C CAPACITOR	0.01uF 50V K	
C166	NCB31HK-472X	C CAPACITOR	4700pF 50V K		C530	NCB31HK-103X	C CAPACITOR	0.01uF 50V K	
C167	NCB31CK-104X	C CAPACITOR	0.1uF 16V K		C531	NCB31AK-334X	C CAPACITOR	0.33uF 10V K	
C168	QEKJ1HM-475Z	E CAPACITOR	4.7uF 50V M		C532	NCB31AK-334X	C CAPACITOR	0.33uF 10V K	
C169	QTE1E57-475Z	E CAPACITOR	4.7uF 25V		C533	QEKJ0JM-476Z	E CAPACITOR	47uF 6.3V M	
C170	QEKJ1CM-226Z	E CAPACITOR	22uF 16V M		C534	NCB31EK-332X	C CAPACITOR	3300pF 25V K	
C171	QTE1H57-105Z	E CAPACITOR	1uF 50V		C535	NCB31EK-104X	C CAPACITOR	0.1uF 25V K	
C174	NCB31HK-471X	C CAPACITOR	470pF 50V K		C536	QEKJ0JM-476Z	E CAPACITOR	47uF 6.3V M	
C175	NCB31AK-154X	C CAPACITOR	0.15uF 10V K		C537	QEKJ0JM-476Z	E CAPACITOR	47uF 6.3V M	
C176	NCB31HK-472X	C CAPACITOR	4700pF 50V K		C539	NCB31EK-104X	C CAPACITOR	0.1uF 25V K	
C177	NCB31CK-104X	C CAPACITOR	0.1uF 16V K		C540	NCS31HJ-681X	C CAPACITOR	680pF 50V J	G341E,G341EX, G341EY,G341EU, G342E,G342EX, G342EY,G342EU, G343E,G343EX, G343EY,G343EU, G347SEE,G347B EE
C178	QEKJ1HM-475Z	E CAPACITOR	4.7uF 50V M		C540	NDC31HJ-681X	C CAPACITOR	680pF 50V J	G347BEE2,G347 SEE2
C179	QTE1E57-475Z	E CAPACITOR	4.7uF 25V		C541	NCB31EK-153X	C CAPACITOR	0.015uF 25V K	
					C542	NCB31EK-104X	C CAPACITOR	0.1uF 25V K	
					C543	NCB31HK-102X	C CAPACITOR	1000pF 50V K	
					C544	NCB31EK-823X	C CAPACITOR	0.082uF 25V K	
					C545	NCB31EK-104X	C CAPACITOR	0.1uF 25V K	
					C547	QTE0J57-476Z	E CAPACITOR	47uF 6.3V	
					C548	QTE0J57-476Z	E CAPACITOR	47uF 6.3V	
					C549	NCB31EK-104X	C CAPACITOR	0.1uF 25V K	
					C551	NCB31EK-104X	C CAPACITOR	0.1uF 25V K	
					C552	QEKJ0JM-476Z	E CAPACITOR	47uF 6.3V M	
					C581	NDC31HJ-102X	C CAPACITOR	1000pF 50V J	
					C582	NDC31HJ-102X	C CAPACITOR	1000pF 50V J	
					C583	NCB31HK-123X	C CAPACITOR	0.012uF 50V K	

Symbol No.	Part No.	Part Name	Description	Local	Symbol No.	Part No.	Part Name	Description	Local
C584	NCB31HK-123X	C CAPACITOR	0.012uF 50V K		R112	NRSA63J-103X	MG RESISTOR	10kΩ 1/16W J	
C585	QTE1H57-225Z	E CAPACITOR	2.2uF 50V		R113	NRSA63J-103X	MG RESISTOR	10kΩ 1/16W J	
C586	QTE1H57-225Z	E CAPACITOR	2.2uF 50V		R114	NRSA63J-103X	MG RESISTOR	10kΩ 1/16W J	
C703	NDC31HJ-270X	C CAPACITOR	27pF 50V J		R115	NRSA63J-471X	MG RESISTOR	470Ω 1/16W J	
C704	NDC31HJ-270X	C CAPACITOR	27pF 50V J		R116	NRSA63J-103X	MG RESISTOR	10kΩ 1/16W J	
C705	NCB31EK-103X	C CAPACITOR	0.01uF 25V K		R117	NRSA63J-103X	MG RESISTOR	10kΩ 1/16W J	
C706	NCB31EK-103X	C CAPACITOR	0.01uF 25V K		R120	NRSA63J-101X	MG RESISTOR	100Ω 1/16W J	
C707	QEKJ1CM-107Z	E CAPACITOR	100uF 16V M		R121	NRSA63J-101X	MG RESISTOR	100Ω 1/16W J	
C708	NCB31CK-104X	C CAPACITOR	0.1uF 16V K		R161	NRSA63J-393X	MG RESISTOR	39kΩ 1/16W J	
C709	NCB31CK-104X	C CAPACITOR	0.1uF 16V K		R162	NRSA63J-472X	MG RESISTOR	4.7kΩ 1/16W J	
C711	QTE0J57-476Z	E CAPACITOR	47uF 6.3V		R163	NRSA63J-222X	MG RESISTOR	2.2kΩ 1/16W J	
C712	NCB31HK-103X	C CAPACITOR	0.01uF 50V K		R171	NRSA63J-393X	MG RESISTOR	39kΩ 1/16W J	
C714	NCB31CK-104X	C CAPACITOR	0.1uF 16V K		R172	NRSA63J-472X	MG RESISTOR	4.7kΩ 1/16W J	
C715	NCB31CK-104X	C CAPACITOR	0.1uF 16V K		R173	NRSA63J-222X	MG RESISTOR	2.2kΩ 1/16W J	
C717	NCB31CK-104X	C CAPACITOR	0.1uF 16V K		R182	NRSA63J-0R0X	MG RESISTOR	0Ω 1/16W J	
C718	NCB31CK-104X	C CAPACITOR	0.1uF 16V K		R184	NRSA63J-0R0X	MG RESISTOR	0Ω 1/16W J	
C719	QEKJ1CM-107Z	E CAPACITOR	100uF 16V M		R186	NRSA63J-472X	MG RESISTOR	4.7kΩ 1/16W J	
C720	NCB31AK-474X	C CAPACITOR	0.47uF 10V K		R188	NRSA63J-472X	MG RESISTOR	4.7kΩ 1/16W J	
C721	NCB31CK-104X	C CAPACITOR	0.1uF 16V K		R305	NRS181J-103X	MG RESISTOR	10kΩ 1/8W J	
C722	QEKJ1EM-106Z	E CAPACITOR	10uF 25V M		R342	NRSA63J-821X	MG RESISTOR	820Ω 1/16W J	G341E,G341EX, G341EY,G341EU, G342E,G342EX, G342EY,G342EU, G343E,G343EX, G343EY,G343EU
C742	NDC31HJ-560X	C CAPACITOR	56pF 50V J						
C744	NDC31HJ-560X	C CAPACITOR	56pF 50V J						
C771	NCB31EK-473X	C CAPACITOR	0.047uF 25V K						
C781	QEKJ0JM-107Z	E CAPACITOR	100uF 6.3V M						
C784	QEKJ1CM-107Z	E CAPACITOR	100uF 16V M		R343	NRSA63J-101X	MG RESISTOR	100Ω 1/16W J	G341E,G341EX, G341EY,G341EU, G342E,G342EX, G342EY,G342EU, G343E,G343EX, G343EY,G343EU
C891	NCB31EK-104X	C CAPACITOR	0.1uF 25V K						
C901	QEZ0645-228	E CAPACITOR	2200uF 16V M	G341E,G341EX, G341EY,G341EU, G342E,G342EX, G342EY,G342EU, G343E,G343EX, G343EY,G343EU, G347SEE,G347B EE	R352	NRSA63J-821X	MG RESISTOR	820Ω 1/16W J	G341E,G341EX, G341EY,G341EU, G342E,G342EX, G342EY,G342EU, G343E,G343EX, G343EY,G343EU
C901	QEZ0870-228	E CAPACITOR	2200uF	G347BEE2,G347 SEE2					
C902	QEKJ1HM-225Z	E CAPACITOR	2.2uF 50V M						
C903	QEKJ1CM-476Z	E CAPACITOR	47uF 16V M		R353	NRSA63J-101X	MG RESISTOR	100Ω 1/16W J	G341E,G341EX, G341EY,G341EU, G342E,G342EX, G342EY,G342EU, G343E,G343EX, G343EY,G343EU
C905	QEKJ1CM-476Z	E CAPACITOR	47uF 16V M						
C906	NCB31HK-103X	C CAPACITOR	0.01uF 50V K						
C907	QEKJ1AM-227Z	E CAPACITOR	220uF 10V M						
C908	QEKJ1AM-227Z	E CAPACITOR	220uF 10V M		R383	NRSA63J-473X	MG RESISTOR	47kΩ 1/16W J	G341E,G341EX, G341EY,G341EU, G342E,G342EX, G342EY,G342EU, G343E,G343EX, G343EY,G343EU
C910	QEKJ1EM-106Z	E CAPACITOR	10uF 25V M						
C912	NCB31HK-103X	C CAPACITOR	0.01uF 50V K						
C913	QEKJ1EM-106Z	E CAPACITOR	10uF 25V M						
C914	QEKJ1CM-107Z	E CAPACITOR	100uF 16V M						
C916	NCB31HK-103X	C CAPACITOR	0.01uF 50V K						
C917	QERF0JM-337Z	E CAPACITOR	330uF 6.3V M		R387	NRSA63J-473X	MG RESISTOR	47kΩ 1/16W J	G341E,G341EX, G341EY,G341EU, G342E,G342EX, G342EY,G342EU, G343E,G343EX, G343EY,G343EU
C971	NCB31EK-104X	C CAPACITOR	0.1uF 25V K						
C982	NCB31EK-104X	C CAPACITOR	0.1uF 25V K						
C983	QEKJ0JM-107Z	E CAPACITOR	100uF 6.3V M						
C984	NCB31EK-104X	C CAPACITOR	0.1uF 25V K						
C991	NCB31HK-104X	C CAPACITOR	0.1uF 50V K	G341E,G341EX, G341EY,G341EU, G342E,G342EX, G342EY,G342EU, G343E,G343EX, G343EY,G343EU	R500	NRS181J-220X	MG RESISTOR	22Ω 1/8W J	
					R501	NRSA63J-822X	MG RESISTOR	8.2kΩ 1/16W J	
					R502	NRS181J-822X	MG RESISTOR	8.2kΩ 1/8W J	
					R503	NRSA63J-512X	MG RESISTOR	5.1kΩ 1/16W J	
					R504	NRSA63J-822X	MG RESISTOR	8.2kΩ 1/16W J	
					R505	NRSA63J-822X	MG RESISTOR	8.2kΩ 1/16W J	
					R506	NRSA63J-393X	MG RESISTOR	39kΩ 1/16W J	
R1	NRSA63J-684X	MG RESISTOR	680kΩ 1/16W J		R507	NRSA63J-203X	MG RESISTOR	20kΩ 1/16W J	
R2	NRSA63J-684X	MG RESISTOR	680kΩ 1/16W J		R508	NRSA63J-682X	MG RESISTOR	6.8kΩ 1/16W J	
R4	NRSA63J-472X	MG RESISTOR	4.7kΩ 1/16W J		R509	NRSA63J-683X	MG RESISTOR	68kΩ 1/16W J	
R5	NRS181J-220X	MG RESISTOR	22Ω 1/8W J		R510	NRSA63J-273X	MG RESISTOR	27kΩ 1/16W J	
R6	NRSA63J-101X	MG RESISTOR	100Ω 1/16W J		R511	NRSA63J-153X	MG RESISTOR	15kΩ 1/16W J	
R7	NRSA63J-101X	MG RESISTOR	100Ω 1/16W J		R512	NRSA63J-562X	MG RESISTOR	5.6kΩ 1/16W J	
R8	NRSA63J-472X	MG RESISTOR	4.7kΩ 1/16W J		R513	NRSA63J-103X	MG RESISTOR	10kΩ 1/16W J	
R9	NRSA63J-472X	MG RESISTOR	4.7kΩ 1/16W J		R514	NRSA63J-562X	MG RESISTOR	5.6kΩ 1/16W J	
R11	NRS181J-4R7X	MG RESISTOR	4.7Ω 1/8W J		R515	NRSA63J-153X	MG RESISTOR	15kΩ 1/16W J	
R72	NRSA63J-222X	MG RESISTOR	2.2kΩ 1/16W J		R516	NRSA63J-102X	MG RESISTOR	1kΩ 1/16W J	
R73	NRSA63J-222X	MG RESISTOR	2.2kΩ 1/16W J		R517	NRSA63J-153X	MG RESISTOR	15kΩ 1/16W J	
R74	NRSA02J-101X	MG RESISTOR	100Ω 1/10W J		R518	NRSA63J-562X	MG RESISTOR	5.6kΩ 1/16W J	
R81	NRSA63J-682X	MG RESISTOR	6.8kΩ 1/16W J		R519	NRSA63J-203X	MG RESISTOR	20kΩ 1/16W J	
R82	NRSA63J-822X	MG RESISTOR	8.2kΩ 1/16W J		R520	NRS181J-220X	MG RESISTOR	22Ω 1/8W J	
R91	NRSA63J-682X	MG RESISTOR	6.8kΩ 1/16W J		R521	NRSA63J-105X	MG RESISTOR	10kΩ 1/16W J	
R92	NRSA63J-822X	MG RESISTOR	8.2kΩ 1/16W J		R522	NRSA63J-221X	MG RESISTOR	220Ω 1/16W J	
R101	NRSA63J-103X	MG RESISTOR	10kΩ 1/16W J		R523	NRSA63J-153X	MG RESISTOR	15kΩ 1/16W J	
R102	NRSA63J-103X	MG RESISTOR	10kΩ 1/16W J		R524	NRSA63J-102X	MG RESISTOR	1kΩ 1/16W J	
R103	NRSA63J-103X	MG RESISTOR	10kΩ 1/16W J		R525	NRSA63J-101X	MG RESISTOR	100Ω 1/16W J	
R104	NRSA63J-103X	MG RESISTOR	10kΩ 1/16W J		R526	NRSA63J-101X	MG RESISTOR	100Ω 1/16W J	
R111	NRSA63J-103X	MG RESISTOR	10kΩ 1/16W J						



△ Symbol No.	Part No.	Part Name	Description	Local	△ Symbol No.	Part No.	Part Name	Description	Local
R527	NRSA63J-101X	MG RESISTOR	100Ω 1/16W J		R741	NRSA63J-101X	MG RESISTOR	100Ω 1/16W J	
R528	NRSA63J-101X	MG RESISTOR	100Ω 1/16W J		R742	NRSA63J-102X	MG RESISTOR	1kΩ 1/16W J	G341E,G341EX, G341EY,G341EU, G342E,G342EX, G342EY,G342EU, G343E,G343EX, G343EY,G343EU, G347SEE,G347B EE
R529	NRSA63J-101X	MG RESISTOR	100Ω 1/16W J		R742	NRSA63J-101X	MG RESISTOR	100Ω 1/16W J	G347BEE2,G347 SEE2
R533	NRSA63J-101X	MG RESISTOR	100Ω 1/16W J		R743	NRS181J-0R0X	MG RESISTOR	0Ω 1/8W J	
R535	NRS181J-103X	MG RESISTOR	10kΩ 1/8W J		R744	NRSA63J-102X	MG RESISTOR	1kΩ 1/16W J	G341E,G341EX, G341EY,G341EU, G342E,G342EX, G342EY,G342EU, G343E,G343EX, G343EY,G343EU, G347SEE,G347B EE
R536	NRSA63J-822X	MG RESISTOR	8.2kΩ 1/16W J		R744	NRSA63J-101X	MG RESISTOR	100Ω 1/16W J	G347BEE2,G347 SEE2
R537	NRSA63J-103X	MG RESISTOR	10kΩ 1/16W J		R746	NRSA63J-104X	MG RESISTOR	100kΩ 1/16W J	
R540	NRSA63J-303X	MG RESISTOR	30kΩ 1/16W J		R748	NRS181J-102X	MG RESISTOR	1kΩ 1/8W J	
R541	NRSA63J-393X	MG RESISTOR	39kΩ 1/16W J		R752	NRSA63J-472X	MG RESISTOR	4.7kΩ 1/16W J	
R542	NRSA63J-472X	MG RESISTOR	4.7kΩ 1/16W J		R753	NRSA63J-472X	MG RESISTOR	4.7kΩ 1/16W J	
R543	NRSA63J-102X	MG RESISTOR	1kΩ 1/16W J		R754	NRSA63J-472X	MG RESISTOR	4.7kΩ 1/16W J	
R544	NRSA63J-102X	MG RESISTOR	1kΩ 1/16W J		R755	NRSA63J-472X	MG RESISTOR	4.7kΩ 1/16W J	
R545	NRSA63J-332X	MG RESISTOR	3.3kΩ 1/16W J		R756	NRSA63J-472X	MG RESISTOR	4.7kΩ 1/16W J	
R546	NRSA63J-822X	MG RESISTOR	8.2kΩ 1/16W J		R757	NRSA63J-472X	MG RESISTOR	4.7kΩ 1/16W J	
R547	NRSA63J-822X	MG RESISTOR	8.2kΩ 1/16W J		R758	NRSA63J-473X	MG RESISTOR	47kΩ 1/16W J	
R548	NRSA63J-332X	MG RESISTOR	3.3kΩ 1/16W J		R764	NRSA63J-823X	MG RESISTOR	82kΩ 1/16W J	
R549	NRSA63J-562X	MG RESISTOR	5.6kΩ 1/16W J		R771	NRSA63J-271X	MG RESISTOR	270Ω 1/16W J	
R554	NRSA63J-4R7X	MG RESISTOR	4.7Ω 1/16W J		R772	NRSA63J-271X	MG RESISTOR	270Ω 1/16W J	
R556	NRSA63J-473X	MG RESISTOR	47kΩ 1/16W J		R774	NRSA63J-473X	MG RESISTOR	47kΩ 1/16W J	
R558	NRSA63J-823X	MG RESISTOR	82kΩ 1/16W J		R775	NRSA63J-222X	MG RESISTOR	22kΩ 1/16W J	
R559	NRSA63J-821X	MG RESISTOR	820Ω 1/16W J		R779	NRSA63J-101X	MG RESISTOR	100Ω 1/16W J	
R565	NRSA63J-151X	MG RESISTOR	150Ω 1/16W J		R781	NRS181J-473X	MG RESISTOR	47kΩ 1/8W J	
R566	NRSA63J-100X	MG RESISTOR	10Ω 1/16W J		R782	NRSA63J-0R0X	MG RESISTOR	0Ω 1/16W J	
R581	NRSA63J-222X	MG RESISTOR	2.2kΩ 1/16W J		R783	NRSA63J-472X	MG RESISTOR	4.7kΩ 1/16W J	
R582	NRSA63J-222X	MG RESISTOR	2.2kΩ 1/16W J		R883	NRSA63J-273X	MG RESISTOR	27kΩ 1/16W J	
R583	NRSA63J-221X	MG RESISTOR	220Ω 1/16W J		R884	NRSA63J-393X	MG RESISTOR	39kΩ 1/16W J	
R584	NRSA63J-221X	MG RESISTOR	220Ω 1/16W J		R885	NRSA63J-432X	MG RESISTOR	4.3kΩ 1/16W J	
R588	NRSA63J-0R0X	MG RESISTOR	0Ω 1/16W J		R891	NRSA63J-102X	MG RESISTOR	1kΩ 1/16W J	
R589	NRSA63J-0R0X	MG RESISTOR	0Ω 1/16W J		R892	NRSA63J-473X	MG RESISTOR	47kΩ 1/16W J	
R701	NRSA63J-103X	MG RESISTOR	10kΩ 1/16W J		R901	QRE141J-102Y	C RESISTOR	1kΩ 1/4W J	
R702	NRSA63J-103X	MG RESISTOR	10kΩ 1/16W J		R902	NRSA02J-912X	MG RESISTOR	9.1kΩ 1/10W J	
R703	NRSA63J-104X	MG RESISTOR	100kΩ 1/16W J		R903	NRSA02J-472X	MG RESISTOR	4.7kΩ 1/10W J	
R704	NRSA63J-104X	MG RESISTOR	100kΩ 1/16W J		R971	NRS181J-222X	MG RESISTOR	2.2kΩ 1/8W J	
R705	NRSA63J-103X	MG RESISTOR	10kΩ 1/16W J		R972	NRS181J-222X	MG RESISTOR	2.2kΩ 1/8W J	
R708	NRSA63J-104X	MG RESISTOR	100kΩ 1/16W J	G341E,G341EX, G341EY,G341EU, G342E,G342EX, G342EY,G342EU, G343E,G343EX, G343EY,G343EU, G347SEE,G347B EE,G347BEE2,G 347SEE2	R976	NRSA02J-273X	MG RESISTOR	27kΩ 1/10W J	
R709	NRSA63J-473X	MG RESISTOR	47kΩ 1/16W J	G347SEE,G347B EE,G347BEE2,G 347SEE2	R977	NRSA02J-123X	MG RESISTOR	12kΩ 1/10W J	
R712	NRSA63J-331X	MG RESISTOR	330Ω 1/16W J		L1	NQL093K-R47X	COIL	0.47uH K	
R714	NRSA63J-0R0X	MG RESISTOR	0Ω 1/16W J		L2	NQL093K-1R8X	COIL	1.8uH K	
R722	NRS181J-0R0X	MG RESISTOR	0Ω 1/8W J		L3	QQR1773-001	COIL		
R723	NRSA63J-103X	MG RESISTOR	10kΩ 1/16W J		L4	QQR1813-001	COIL		
R726	NRSA63J-273X	MG RESISTOR	27kΩ 1/16W J		L5	QQL244J-561Z	COIL	560uH J	
R727	NRS181J-122X	MG RESISTOR	1.2kΩ 1/8W J		L6	QQL244J-561Z	COIL	560uH J	
R728	NRSA63J-0R0X	MG RESISTOR	0Ω 1/16W J		L7	QQL244J-4R7Z	P COIL	4.7uH J	
R731	NRSA63J-104X	MG RESISTOR	100kΩ 1/16W J		L8	QQL244J-4R7Z	P COIL	4.7uH J	
R736	NRSA63J-222X	MG RESISTOR	2.2kΩ 1/16W J	G341E,G341EX, G341EY,G341EU, G342E,G342EX, G342EY,G342EU, G343E,G343EX, G343EY,G343EU, G347SEE,G347B EE	L31	NQL093K-R47X	COIL	0.47uH K	
R736	NRSA63J-152X	MG RESISTOR	1.5kΩ 1/16W J	G347BEE2,G347 SEE2	L120	NQR0007-002X	FERRITE BEADS		
R737	NRSA63J-222X	MG RESISTOR	2.2kΩ 1/16W J	G341E,G341EX, G341EY,G341EU, G342E,G342EX, G342EY,G342EU, G343E,G343EX, G343EY,G343EU, G347SEE,G347B EE	L121	NQR0007-002X	FERRITE BEADS		
R737	NRSA63J-152X	MG RESISTOR	1.5kΩ 1/16W J	G347BEE2,G347 SEE2	L122	NQR0007-002X	FERRITE BEADS		
R738	NRSA63J-222X	MG RESISTOR	2.2kΩ 1/16W J	G341E,G341EX, G341EY,G341EU, G342E,G342EX, G342EY,G342EU, G343E,G343EX, G343EY,G343EU, G347SEE,G347B EE	L701	QQL244J-4R7Z	P COIL	4.7uH J	
R738	NRSA63J-152X	MG RESISTOR	1.5kΩ 1/16W J	G347BEE2,G347 SEE2	L702	QQL244J-4R7Z	P COIL	4.7uH J	
R739	NRSA63J-101X	MG RESISTOR	100Ω 1/16W J		L901	QQR1809-001	CHOKE COIL		
R739	NRSA63J-101X	MG RESISTOR	100Ω 1/16W J		CN501	QGB2027MD-26	CONNECTOR	B-B (1-26)	
					CN701	QGZ1601J1-15	CONNECTOR	(1-15)	
					CN901	QNZ0859-001	CAR CONNECTOR		
					J1	QNB0190-001	ANTENNA JACK		

Symbol No.	Part No.	Part Name	Description	Local
J321	QNN0802-001	PIN JACK		G341E,G341EX, G341EY,G341EU, G342E,G342EX, G342EY,G342EU, G343E,G343EX, G343EY,G343EU
S701	QSW0648-001Z	TACT SWITCH		
X1	QAX0928-001Z	CRYSTAL		
X71	QAX0926-001Z	CRYSTAL		
X521	QAX0714-001Z	C RESONATOR	16.000MHz	
X701	QAX0667-001Z	C RESONATOR	8.000MHz	
X702	QAX0401-001	CRYSTAL	32.768KHz	

**Switch board  
(Except KD-G341E,EX,EY,EU,  
KD-G342E,EX,EY,EU,  
KD-G343E,EX,EY,EU,  
KD-G347SEE,KD-G347BEE,  
KD-G347BEE2,KD-G347SEE2)**

Block No. [0][3]

Symbol No.	Part No.	Part Name	Description	Local
IC661	PTC6525LQ-L	IC		
IC681	NJL29H380A	REMOCON RCV		G140J,G240J,G 394UI,G395U,G 395UN,G395UT, G395UH,G396U ,G396UN,G396 UT,G396UH,G39 8UF
IC681	RPM7338-V4	RM.RECEIVER		G396SUI,G299U R,S15J
D630	LHQ974/LM/-X	LED		
D631	LHQ974/LM/-X	LED		
D632	NECBB205/WPQR/X	LED		G140J,G240J,G 394UI,G395U,G 395UN,G395UT, G395UH,G396U ,G396UN,G396 UT,G396UH,G39 8UF,G396SUI,G 299UR
D632	LHQ974/LM/-X	LED		G244UI,G245U, G245UN,G245U T,G245UH,G248 UF,S15J
D633	SML-D12V8W/PQ-X	LED		
D634	SML-D12V8W/PQ-X	LED		
D635	SML-D12V8W/PQ-X	LED		
D636	SML-D12V8W/PQ-X	LED		
D637	LHQ974/LM/-X	LED		
D638	LHQ974/LM/-X	LED		
D639	LHQ974/LM/-X	LED		
D640	LHQ974/LM/-X	LED		
D641	LHQ974/LM/-X	LED		
D642	LHQ974/LM/-X	LED		
D644	LHQ974/LM/-X	LED		
D645	LHQ974/LM/-X	LED		
D646	LHQ974/LM/-X	LED		
D647	LHQ974/LM/-X	LED		
D648	LHQ974/LM/-X	LED		
D649	LHQ974/LM/-X	LED		
D650	LHQ974/LM/-X	LED		
D651	LHQ974/LM/-X	LED		
D652	LHQ974/LM/-X	LED		
D653	NSPW310CS/BTUV/	WHITE LED		

Symbol No.	Part No.	Part Name	Description	Local
D654 D661	NSPW310CS/BTUV/ 1SS355W-X	WHITE LED DIODE		G140J,G240J,G 244UI,G245U,G 245UN,G245UT, G245UH,G248U F,G394UI,G395 U,G395UN,G39 5UT,G395UH,G3 96U,G396UN,G 396UT,G396UH, G398UF,G396S UI,S15J
D661	or MA111-X	SI DIODE		G140J,G240J,G 244UI,G245U,G 245UN,G245UT, G245UH,G248U F,G394UI,G395 U,G395UN,G39 5UT,G395UH,G3 96U,G396UN,G 396UT,G396UH, G398UF,G396S UI,S15J
D661	or 1SS355W-X	DIODE		G299UR
D661	MA111-X	SI DIODE		G299UR
D662	MA8047/H/-X	Z DIODE		G140J,G240J,G 244UI,G245U,G 245UN,G245UT, G245UH,G248U F,G394UI,G395 U,G395UN,G39 5UT,G395UH,G3 96U,G396UN,G 396UT,G396UH, G398UF
D662	MA8051/M/-X	Z DIODE		G396SUI,G299U R,S15J
D662	or UDZW5.1B-X	SB DIODE		G396SUI,S15J
D663	MA8062/M/-X	Z DIODE		G140J,G240J,G 244UI,G245U,G 245UN,G245UT, G245UH,G248U F,G394UI,G395 U,G395UN,G39 5UT,G395UH,G3 96U,G396UN,G 396UT,G396UH, G398UF
D663	or UDZW6.2B-X	Z DIODE		G140J,G240J,G 244UI,G245U,G 245UN,G245UT, G245UH,G248U F,G394UI,G395 U,G395UN,G39 5UT,G395UH,G3 96U,G396UN,G 396UT,G396UH, G398UF
D664	MA8062/M/-X	Z DIODE		G140J,G240J,G 244UI,G245U,G 245UN,G245UT, G245UH,G248U F,G394UI,G395 U,G395UN,G39 5UT,G395UH,G3 96U,G396UN,G 396UT,G396UH, G398UF
D664	or UDZW6.2B-X	Z DIODE		G140J,G240J,G 244UI,G245U,G 245UN,G245UT, G245UH,G248U F,G394UI,G395 U,G395UN,G39 5UT,G395UH,G3 96U,G396UN,G 396UT,G396UH, G398UF

△ Symbol No.	Part No.	Part Name	Description	Local	△ Symbol No.	Part No.	Part Name	Description	Local
D665	MA8062/M-X	Z DIODE		G140J,G240J,G244UI,G245U,G245UN,G245UT,G245UH,G248UF,G394UI,G395U,G395UN,G395UT,G395UH,G396U,G396UN,G396UT,G396UH,G398UF	R656	NRSA63J-201X	MG RESISTOR	200Ω 1/16W J	G244UI,G245U,G245UN,G245UT,G245UH,G248UF,G394UI,G395U,G395UN,G395UT,G395UH,G396U,G396UN,G396UT,G396UH,G398UF
D665	or UDW6.2B-X	Z DIODE		G140J,G240J,G244UI,G245U,G245UN,G245UT,G245UH,G248UF,G394UI,G395U,G395UN,G395UT,G395UH,G396U,G396UN,G396UT,G396UH,G398UF	R658	NRSA63J-132X	MG RESISTOR	1.3kΩ 1/16W J	G140J,G240J,G394UI,G395U,G395UN,G395UT,G395UH,G396U,G396UN,G396UT,G396UH,G398UF,G396SUI,G299UR
C660	NDC31HJ-102X	C CAPACITOR	1000pF 50V J		R658	NRSA63J-561X	MG RESISTOR	560Ω 1/16W J	G244UI,G245U,G245UN,G245UT,G245UH,G248UF,S15J
C661	NCB21CK-104X	C CAPACITOR	0.1uF 16V K		R659	NRSA63J-0R0X	MG RESISTOR	0Ω 1/16W J	G140J,G240J,G394UI,G395U,G395UN,G395UT,G395UH,G396U,G396UN,G396UT,G396UH,G398UF,G396SUI,G299UR
C663	NCB31CK-223X	C CAPACITOR	0.022uF 16V K		R660	NRSA63J-0R0X	MG RESISTOR	0Ω 1/16W J	G244UI,G245U,G245UN,G245UT,G245UH,G248UF,S15J
C666	NCB31CK-104X	C CAPACITOR	0.1uF 16V K		R661	NRSA63J-222X	MG RESISTOR	2.2kΩ 1/16W J	G140J,G240J,G244UI,G245U,G245UN,G245UT,G245UH,G248UF,G394UI,G395U,G395UN,G395UT,G395UH,G396U,G396UN,G396UT,G396UH,G398UF
C667	NCB31CK-104X	C CAPACITOR	0.1uF 16V K		R661	NRSA63J-821X	MG RESISTOR	820Ω 1/16W J	G396SUI,G299UR,S15J
C682	NCB31HK-104X	C CAPACITOR	0.1uF 50V K	G140J,G240J,G394UI,G395U,G395UN,G395UT,G395UH,G396U,G396UN,G396UT,G396UH,G398UF	R662	NRSA63J-222X	MG RESISTOR	2.2kΩ 1/16W J	G140J,G240J,G244UI,G245U,G245UN,G245UT,G245UH,G248UF,G394UI,G395U,G395UN,G395UT,G395UH,G396U,G396UN,G396UT,G396UH,G398UF
C682	NCB31EK-104X	C CAPACITOR	0.1uF 25V K	G396SUI,G299UR,S15J	R662	NRSA63J-821X	MG RESISTOR	820Ω 1/16W J	G396SUI,G299UR,S15J
C810	NCB31HK-472X	C CAPACITOR	4700pF 50V K		R663	NRSA63J-103X	MG RESISTOR	10kΩ 1/16W J	
C811	NCB31HK-472X	C CAPACITOR	4700pF 50V K		R664	NRSA63J-0R0X	MG RESISTOR	0Ω 1/16W J	
R600	NRSA63J-272X	MG RESISTOR	2.7kΩ 1/16W J		R666	NRSA63J-103X	MG RESISTOR	10kΩ 1/16W J	
R601	NRSA63J-821X	MG RESISTOR	820Ω 1/16W J		R667	NRSA63J-103X	MG RESISTOR	10kΩ 1/16W J	
R602	NRSA63J-821X	MG RESISTOR	820Ω 1/16W J		R668	NRSA63J-103X	MG RESISTOR	10kΩ 1/16W J	
R603	NRSA63J-122X	MG RESISTOR	1.2kΩ 1/16W J		R670	NRSA63J-473X	MG RESISTOR	47kΩ 1/16W J	
R604	NRSA63J-182X	MG RESISTOR	1.8kΩ 1/16W J		R672	NRSA63J-0R0X	MG RESISTOR	0Ω 1/16W J	
R605	NRSA63J-272X	MG RESISTOR	2.7kΩ 1/16W J		R675	NRSA63J-0R0X	MG RESISTOR	0Ω 1/16W J	
R606	NRSA63J-821X	MG RESISTOR	820Ω 1/16W J		R678	NRSA63J-0R0X	MG RESISTOR	0Ω 1/16W J	
R607	NRSA63J-821X	MG RESISTOR	820Ω 1/16W J		R681	NRSA63J-471X	MG RESISTOR	470Ω 1/16W J	G140J,G240J,G394UI,G395U,G395UN,G395UT,G395UH,G396U,G396UN,G396UT,G396UH,G398UF
R608	NRSA63J-122X	MG RESISTOR	1.2kΩ 1/16W J		R682	NRSA63J-103X	MG RESISTOR	10kΩ 1/16W J	G140J,G240J,G394UI,G395U,G395UN,G395UT,G395UH,G396U,G396UN,G396UT,G396UH,G398UF
R609	NRSA63J-182X	MG RESISTOR	1.8kΩ 1/16W J		R856	NRSA63J-203X	MG RESISTOR	20kΩ 1/16W J	
R610	NRSA63J-272X	MG RESISTOR	2.7kΩ 1/16W J		R857	NRSA63J-203X	MG RESISTOR	20kΩ 1/16W J	
R611	NRSA63J-821X	MG RESISTOR	820Ω 1/16W J						
R612	NRSA63J-821X	MG RESISTOR	820Ω 1/16W J						
R613	NRSA63J-122X	MG RESISTOR	1.2kΩ 1/16W J						
R614	NRSA63J-182X	MG RESISTOR	1.8kΩ 1/16W J						
R615	NRSA63J-272X	MG RESISTOR	2.7kΩ 1/16W J						
R616	NRSA63J-392X	MG RESISTOR	3.9kΩ 1/16W J						
R617	NRSA63J-103X	MG RESISTOR	10kΩ 1/16W J						
R619	NRSA63J-0R0X	MG RESISTOR	0Ω 1/16W J						
R630	NRSA63J-271X	MG RESISTOR	270Ω 1/16W J						
R631	NRS181J-621X	MG RESISTOR	620Ω 1/8W J	G140J,G240J,G394UI,G395U,G395UN,G395UT,G395UH,G396U,G396UN,G396UT,G396UH,G398UF,G396SUI,G299UR					
R633	NRSA63J-0R0X	MG RESISTOR	0Ω 1/16W J						
R635	NRSA63J-471X	MG RESISTOR	470Ω 1/16W J						
R637	NRSA63J-471X	MG RESISTOR	470Ω 1/16W J						
R639	NRSA63J-561X	MG RESISTOR	560Ω 1/16W J						
R641	NRSA63J-561X	MG RESISTOR	560Ω 1/16W J						
R643	NRSA63J-561X	MG RESISTOR	560Ω 1/16W J						
R645	NRS181J-621X	MG RESISTOR	620Ω 1/8W J						
R647	NRSA63J-561X	MG RESISTOR	560Ω 1/16W J						
R649	NRSA63J-561X	MG RESISTOR	560Ω 1/16W J						
R651	NRSA63J-561X	MG RESISTOR	560Ω 1/16W J						
R653	NRSA63J-561X	MG RESISTOR	560Ω 1/16W J						
R656	NRSA63J-181X	MG RESISTOR	180Ω 1/16W J	G140J,G240J,G299UR					

△ Symbol No.	Part No.	Part Name	Description	Local
CJ601 J601	QGZ1601K1-15S QNS0279-001	CONNECTOR AUX JACK	(1-15)	G140J,G240J,G 244UI,G245U,G 245UN,G245UT, G245UH,G248U F,G394UI,G395 U,G395UN,G39 5UT,G395UH,G3 96U,G396UN,G 396UT,G396UH, G398UF G396SUI,G299U R,S15J
J601	QNS0245-001	AUX JACK		
JS686	QSW1219-001	ENCODER		
S601	NSW0124-001X	TACT SW		
S602	NSW0124-001X	TACT SW		
S603	NSW0124-001X	TACT SW		
S604	NSW0124-001X	TACT SW		
S605	NSW0124-001X	TACT SW		
S606	NSW0124-001X	TACT SW		
S607	NSW0124-001X	TACT SW		
S608	NSW0124-001X	TACT SW		
S609	NSW0124-001X	TACT SW		
S610	NSW0124-001X	TACT SW		
S611	NSW0124-001X	TACT SW		
S612	NSW0124-001X	TACT SW		
S613	NSW0124-001X	TACT SW		
S615	NSW0124-001X	TACT SW		
S616	NSW0124-001X	TACT SW		
S617	NSW0124-001X	TACT SW		
S618	NSW0124-001X	TACT SW		
S619	NSW0124-001X	TACT SW		

**Switch board  
(Only KD-G341E,EX,EY,EU,  
KD-G342E,EX,EY,EU,  
KD-G343E,EX,EY,EU,  
KD-G347SEE,KD-G347BEE,  
KD-G347BEE2,KD-G347SEE2)**

Block No. [0][4]

△ Symbol No.	Part No.	Part Name	Description	Local
IC661	PTC6525LQ-L	IC		
D630	LHQ974/LM/-X	LED		
D631	LNJ308G81/1-3/ X	LED	GREEN	G341E,G341EX,G 341EY,G341EU
D631	LSQ971/KL/-X	LED		G342E,G342EX,G 342EY,G342EU,G 343E,G343EX,G3 43EY,G343EU,G3 47SEE,G347BEE, G347BEE2,G347S EE2
D632	LNJ308G81/1-3/ X	LED	GREEN	G341E,G341EX,G 341EY,G341EU
D632	LSQ971/KL/-X	LED		G342E,G342EX,G 342EY,G342EU,G 343E,G343EX,G3 43EY,G343EU,G3 47SEE,G347BEE, G347BEE2,G347S EE2
D633	LNJ308G81/1-3/ X	LED	GREEN	G341E,G341EX,G 341EY,G341EU
D633	LSQ971/KL/-X	LED		G342E,G342EX,G 342EY,G342EU,G 343E,G343EX,G3 43EY,G343EU,G3 47SEE,G347BEE, G347BEE2,G347S EE2

△ Symbol No.	Part No.	Part Name	Description	Local
D634	LNJ308G81/1-3/ X	LED	GREEN	G341E,G341EX,G 341EY,G341EU
D634	LSQ971/KL/-X	LED		G342E,G342EX,G 342EY,G342EU,G 343E,G343EX,G3 43EY,G343EU,G3 47SEE,G347BEE, G347BEE2,G347S EE2
D635	LNJ308G81/1-3/ X	LED	GREEN	G341E,G341EX,G 341EY,G341EU
D635	LSQ971/KL/-X	LED		G342E,G342EX,G 342EY,G342EU,G 343E,G343EX,G3 43EY,G343EU,G3 47SEE,G347BEE, G347BEE2,G347S EE2
D636	LNJ308G81/1-3/ X	LED	GREEN	G341E,G341EX,G 341EY,G341EU
D636	LSQ971/KL/-X	LED		G342E,G342EX,G 342EY,G342EU,G 343E,G343EX,G3 43EY,G343EU,G3 47SEE,G347BEE, G347BEE2,G347S EE2
D637	LNJ308G81/1-3/ X	LED	GREEN	G341E,G341EX,G 341EY,G341EU
D637	LSQ971/KL/-X	LED		G342E,G342EX,G 342EY,G342EU,G 343E,G343EX,G3 43EY,G343EU,G3 47SEE,G347BEE, G347BEE2,G347S EE2
D638	LNJ308G81/1-3/ X	LED	GREEN	G341E,G341EX,G 341EY,G341EU
D638	LSQ971/KL/-X	LED		G342E,G342EX,G 342EY,G342EU,G 343E,G343EX,G3 43EY,G343EU,G3 47SEE,G347BEE, G347BEE2,G347S EE2
D639	LNJ308G81/1-3/ X	LED	GREEN	G341E,G341EX,G 341EY,G341EU
D639	LSQ971/KL/-X	LED		G342E,G342EX,G 342EY,G342EU,G 343E,G343EX,G3 43EY,G343EU,G3 47SEE,G347BEE, G347BEE2,G347S EE2
D640	LNJ308G81/1-3/ X	LED	GREEN	G341E,G341EX,G 341EY,G341EU
D640	LSQ971/KL/-X	LED		G342E,G342EX,G 342EY,G342EU,G 343E,G343EX,G3 43EY,G343EU,G3 47SEE,G347BEE, G347BEE2,G347S EE2
D641	LNJ308G81/1-3/ X	LED	GREEN	G341E,G341EX,G 341EY,G341EU
D641	LSQ971/KL/-X	LED		G342E,G342EX,G 342EY,G342EU,G 343E,G343EX,G3 43EY,G343EU,G3 47SEE,G347BEE, G347BEE2,G347S EE2
D642	LNJ308G81/1-3/ X	LED	GREEN	G341E,G341EX,G 341EY,G341EU
D642	LSQ971/KL/-X	LED		G342E,G342EX,G 342EY,G342EU,G 343E,G343EX,G3 43EY,G343EU,G3 47SEE,G347BEE, G347BEE2,G347S EE2
D644	LNJ308G81/1-3/ X	LED	GREEN	G341E,G341EX,G 341EY,G341EU

△ Symbol No.	Part No.	Part Name	Description	Local	△ Symbol No.	Part No.	Part Name	Description	Local
D644	LSQ971/KL/-X	LED		G342E,G342EX,G342EY,G342EU,G343E,G343EX,G343EY,G343EU,G347SEE,G347BEE,G347BEE2,G347S EE2	D662	MA8047/H/-X	Z DIODE		G341E,G341EX,G341EY,G341EU,G342E,G342EX,G342EY,G342EU,G343E,G343EX,G343EY,G343EU,G347SEE,G347BEE,G347BEE2,G347S EE2
D645	LNJ308G81/1-3/X	LED	GREEN	G341E,G341EX,G341EY,G341EU	D662	MA8051/M/-X	Z DIODE		G341E,G341EX,G341EY,G341EU,G342E,G342EX,G342EY,G342EU,G343E,G343EX,G343EY,G343EU,G347SEE,G347BEE,G347BEE2,G347S EE2
D645	LSQ971/KL/-X	LED		G342E,G342EX,G342EY,G342EU,G343E,G343EX,G343EY,G343EU,G347SEE,G347BEE,G347BEE2,G347S EE2	D662	or UDZW5.1B-X	SB DIODE		G347BEE2,G347S EE2
D646	LNJ308G81/1-3/X	LED	GREEN	G341E,G341EX,G341EY,G341EU	D663	MA8062/M/-X	Z DIODE		G341E,G341EX,G341EY,G341EU,G342E,G342EX,G342EY,G342EU,G343E,G343EX,G343EY,G343EU,G347SEE,G347BEE,G347BEE2,G347S EE2
D646	LSQ971/KL/-X	LED		G342E,G342EX,G342EY,G342EU,G343E,G343EX,G343EY,G343EU,G347SEE,G347BEE,G347BEE2,G347S EE2	D663	or UDZW6.2B-X	Z DIODE		G341E,G341EX,G341EY,G341EU,G342E,G342EX,G342EY,G342EU,G343E,G343EX,G343EY,G343EU,G347SEE,G347BEE,G347BEE2,G347S EE2
D647	LNJ308G81/1-3/X	LED	GREEN	G341E,G341EX,G341EY,G341EU	D664	MA8062/M/-X	Z DIODE		G341E,G341EX,G341EY,G341EU,G342E,G342EX,G342EY,G342EU,G343E,G343EX,G343EY,G343EU,G347SEE,G347BEE,G347BEE2,G347S EE2
D647	LSQ971/KL/-X	LED		G342E,G342EX,G342EY,G342EU,G343E,G343EX,G343EY,G343EU,G347SEE,G347BEE,G347BEE2,G347S EE2	D664	or UDZW6.2B-X	Z DIODE		G341E,G341EX,G341EY,G341EU,G342E,G342EX,G342EY,G342EU,G343E,G343EX,G343EY,G343EU,G347SEE,G347BEE,G347BEE2,G347S EE2
D648	LNJ308G81/1-3/X	LED	GREEN	G341E,G341EX,G341EY,G341EU	D665	MA8062/M/-X	Z DIODE		G341E,G341EX,G341EY,G341EU,G342E,G342EX,G342EY,G342EU,G343E,G343EX,G343EY,G343EU,G347SEE,G347BEE,G347BEE2,G347S EE2
D648	LSQ971/KL/-X	LED		G342E,G342EX,G342EY,G342EU,G343E,G343EX,G343EY,G343EU,G347SEE,G347BEE,G347BEE2,G347S EE2	D665	or UDZW6.2B-X	Z DIODE		G341E,G341EX,G341EY,G341EU,G342E,G342EX,G342EY,G342EU,G343E,G343EX,G343EY,G343EU,G347SEE,G347BEE,G347BEE2,G347S EE2
D649	LNJ308G81/1-3/X	LED	GREEN	G341E,G341EX,G341EY,G341EU	C660	NDC31HJ-102X	C CAPACITOR	1000pF 50V J	
D649	LSQ971/KL/-X	LED		G342E,G342EX,G342EY,G342EU,G343E,G343EX,G343EY,G343EU,G347SEE,G347BEE,G347BEE2,G347S EE2	C661	NCB21CK-104X	C CAPACITOR	0.1uF 16V K	
D650	LNJ308G81/1-3/X	LED	GREEN	G341E,G341EX,G341EY,G341EU	C663	NCB31CK-223X	C CAPACITOR	0.022uF 16V K	
D650	LSQ971/KL/-X	LED		G342E,G342EX,G342EY,G342EU,G343E,G343EX,G343EY,G343EU,G347SEE,G347BEE,G347BEE2,G347S EE2	C666	NCB31CK-104X	C CAPACITOR	0.1uF 16V K	
D651	LNJ308G81/1-3/X	LED	GREEN	G341E,G341EX,G341EY,G341EU	C667	NCB31CK-104X	C CAPACITOR	0.1uF 16V K	
D651	LSQ971/KL/-X	LED		G342E,G342EX,G342EY,G342EU,G343E,G343EX,G343EY,G343EU,G347SEE,G347BEE,G347BEE2,G347S EE2	R600	NRSA63J-272X	MG RESISTOR	2.7kΩ 1/16W J	
D652	LNJ308G81/1-3/X	LED	GREEN	G341E,G341EX,G341EY,G341EU	R601	NRSA63J-821X	MG RESISTOR	820Ω 1/16W J	
D652	LSQ971/KL/-X	LED		G342E,G342EX,G342EY,G342EU,G343E,G343EX,G343EY,G343EU,G347SEE,G347BEE,G347BEE2,G347S EE2	R602	NRSA63J-821X	MG RESISTOR	820Ω 1/16W J	
D653	NSPW310CS/BTUV/	WHITE LED			R603	NRSA63J-122X	MG RESISTOR	1.2kΩ 1/16W J	
D654	NSPW310CS/BTUV/	WHITE LED			R604	NRSA63J-182X	MG RESISTOR	1.8kΩ 1/16W J	
D661	MA111-X	SI DIODE			R605	NRSA63J-272X	MG RESISTOR	2.7kΩ 1/16W J	
D661	or 1SS355W-X	DIODE			R606	NRSA63J-821X	MG RESISTOR	820Ω 1/16W J	
					R607	NRSA63J-821X	MG RESISTOR	820Ω 1/16W J	
					R608	NRSA63J-122X	MG RESISTOR	1.2kΩ 1/16W J	
					R609	NRSA63J-182X	MG RESISTOR	1.8kΩ 1/16W J	
					R610	NRSA63J-272X	MG RESISTOR	2.7kΩ 1/16W J	
					R611	NRSA63J-821X	MG RESISTOR	820Ω 1/16W J	
					R612	NRSA63J-821X	MG RESISTOR	820Ω 1/16W J	
					R613	NRSA63J-122X	MG RESISTOR	1.2kΩ 1/16W J	
					R614	NRSA63J-182X	MG RESISTOR	1.8kΩ 1/16W J	
					R615	NRSA63J-272X	MG RESISTOR	2.7kΩ 1/16W J	
					R616	NRSA63J-392X	MG RESISTOR	3.9kΩ 1/16W J	
					R617	NRSA63J-103X	MG RESISTOR	10kΩ 1/16W J	
					R619	NRSA63J-0R0X	MG RESISTOR	0Ω 1/16W J	
					R630	NRSA63J-271X	MG RESISTOR	270Ω 1/16W J	
					R633	NRSA63J-0R0X	MG RESISTOR	0Ω 1/16W J	
					R635	NRSA63J-391X	MG RESISTOR	390Ω 1/16W J	G341E,G341EX,G341EY,G341EU

△ Symbol No.	Part No.	Part Name	Description	Local
R635	NRSA63J-431X	MG RESISTOR	430Ω 1/16W J	G342E,G342EX,G342EY,G342EU,G343E,G343EX,G343EY,G343EU,G347SEE,G347BEE,G347BEE2,G347S EE2
R637	NRSA63J-391X	MG RESISTOR	390Ω 1/16W J	G341E,G341EX,G341EY,G341EU
R637	NRSA63J-431X	MG RESISTOR	430Ω 1/16W J	G342E,G342EX,G342EY,G342EU,G343E,G343EX,G343EY,G343EU,G347SEE,G347BEE,G347BEE2,G347S EE2
R639	NRSA63J-431X	MG RESISTOR	430Ω 1/16W J	G341E,G341EX,G341EY,G341EU
R639	NRSA63J-511X	MG RESISTOR	510Ω 1/16W J	G342E,G342EX,G342EY,G342EU,G343E,G343EX,G343EY,G343EU,G347SEE,G347BEE,G347BEE2,G347S EE2
R641	NRSA63J-431X	MG RESISTOR	430Ω 1/16W J	G341E,G341EX,G341EY,G341EU
R641	NRSA63J-511X	MG RESISTOR	510Ω 1/16W J	G342E,G342EX,G342EY,G342EU,G343E,G343EX,G343EY,G343EU,G347SEE,G347BEE,G347BEE2,G347S EE2
R643	NRSA63J-391X	MG RESISTOR	390Ω 1/16W J	G341E,G341EX,G341EY,G341EU
R643	NRSA63J-511X	MG RESISTOR	510Ω 1/16W J	G342E,G342EX,G342EY,G342EU,G343E,G343EX,G343EY,G343EU,G347SEE,G347BEE,G347BEE2,G347S EE2
R645	NRS181J-561X	MG RESISTOR	560Ω 1/8W J	
R647	NRSA63J-431X	MG RESISTOR	430Ω 1/16W J	G341E,G341EX,G341EY,G341EU
R647	NRSA63J-511X	MG RESISTOR	510Ω 1/16W J	G342E,G342EX,G342EY,G342EU,G343E,G343EX,G343EY,G343EU,G347SEE,G347BEE,G347BEE2,G347S EE2
R649	NRSA63J-431X	MG RESISTOR	430Ω 1/16W J	G341E,G341EX,G341EY,G341EU
R649	NRSA63J-511X	MG RESISTOR	510Ω 1/16W J	G342E,G342EX,G342EY,G342EU,G343E,G343EX,G343EY,G343EU,G347SEE,G347BEE,G347BEE2,G347S EE2
R651	NRSA63J-431X	MG RESISTOR	430Ω 1/16W J	G341E,G341EX,G341EY,G341EU
R651	NRSA63J-511X	MG RESISTOR	510Ω 1/16W J	G342E,G342EX,G342EY,G342EU,G343E,G343EX,G343EY,G343EU,G347SEE,G347BEE,G347BEE2,G347S EE2
R653	NRSA63J-431X	MG RESISTOR	430Ω 1/16W J	G341E,G341EX,G341EY,G341EU
R653	NRSA63J-511X	MG RESISTOR	510Ω 1/16W J	G342E,G342EX,G342EY,G342EU,G343E,G343EX,G343EY,G343EU,G347SEE,G347BEE,G347BEE2,G347S EE2
R656	NRSA63J-181X	MG RESISTOR	180Ω 1/16W J	
R658	NRSA63J-391X	MG RESISTOR	390Ω 1/16W J	G341E,G341EX,G341EY,G341EU

△ Symbol No.	Part No.	Part Name	Description	Local
R658	NRSA63J-511X	MG RESISTOR	510Ω 1/16W J	G342E,G342EX,G342EY,G342EU,G343E,G343EX,G343EY,G343EU,G347SEE,G347BEE,G347BEE2,G347S EE2
R660	NRSA63J-0R0X	MG RESISTOR	0Ω 1/16W J	
R661	NRSA63J-222X	MG RESISTOR	2.2kΩ 1/16W J	G341E,G341EX,G341EY,G341EU,G342E,G342EX,G342EY,G342EU,G343E,G343EX,G343EY,G343EU,G347SEE,G347BEE,G347BEE2,G347S EE2
R661	NRSA63J-821X	MG RESISTOR	820Ω 1/16W J	G347BEE2,G347S EE2
R662	NRSA63J-222X	MG RESISTOR	2.2kΩ 1/16W J	G341E,G341EX,G341EY,G341EU,G342E,G342EX,G342EY,G342EU,G343E,G343EX,G343EY,G343EU,G347SEE,G347BEE,G347BEE2,G347S EE2
R662	NRSA63J-821X	MG RESISTOR	820Ω 1/16W J	G347BEE2,G347S EE2
R663	NRSA63J-103X	MG RESISTOR	10kΩ 1/16W J	
R664	NRSA63J-0R0X	MG RESISTOR	0Ω 1/16W J	
R666	NRSA63J-101X	MG RESISTOR	100Ω 1/16W J	
R667	NRSA63J-101X	MG RESISTOR	100Ω 1/16W J	
R668	NRSA63J-101X	MG RESISTOR	100Ω 1/16W J	
R670	NRSA63J-473X	MG RESISTOR	47kΩ 1/16W J	
R672	NRSA63J-0R0X	MG RESISTOR	0Ω 1/16W J	
R675	NRSA63J-0R0X	MG RESISTOR	0Ω 1/16W J	
R678	NRSA63J-0R0X	MG RESISTOR	0Ω 1/16W J	
R856	NRSA63J-103X	MG RESISTOR	10kΩ 1/16W J	
R857	NRSA63J-103X	MG RESISTOR	10kΩ 1/16W J	
CJ601	QGZ1601K1-15S	CONNECTOR	(1-15)	
J601	QNS0279-001	AUX JACK		G341E,G341EX,G341EY,G341EU,G342E,G342EX,G342EY,G342EU,G343E,G343EX,G343EY,G343EU,G347SEE,G347BEE,G347BEE2,G347S EE2
J601	QNS0245-001	AUX JACK		G347BEE2,G347S EE2
JS686	QSW1219-001	ENCODER		
S601	NSW0124-001X	TACT SW		
S602	NSW0124-001X	TACT SW		
S603	NSW0124-001X	TACT SW		
S604	NSW0124-001X	TACT SW		
S605	NSW0124-001X	TACT SW		
S606	NSW0124-001X	TACT SW		
S607	NSW0124-001X	TACT SW		
S608	NSW0124-001X	TACT SW		
S609	NSW0124-001X	TACT SW		
S610	NSW0124-001X	TACT SW		
S611	NSW0124-001X	TACT SW		
S612	NSW0124-001X	TACT SW		
S613	NSW0124-001X	TACT SW		
S615	NSW0124-001X	TACT SW		
S616	NSW0124-001X	TACT SW		
S617	NSW0124-001X	TACT SW		
S618	NSW0124-001X	TACT SW		
S619	NSW0124-001X	TACT SW		

## Mecha control board

Block No. [0][5]

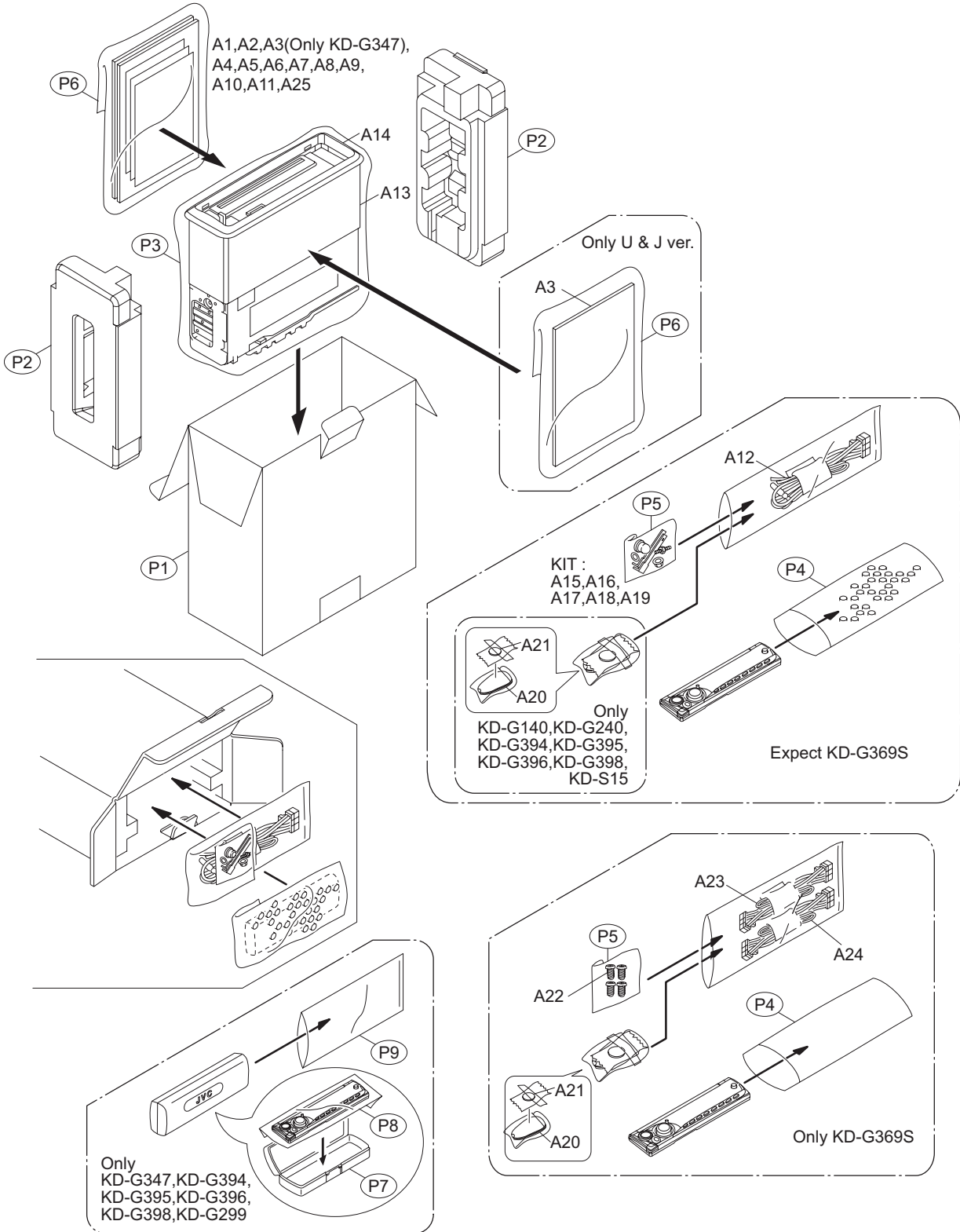
△ Symbol No.	Part No.	Part Name	Description	Local
Q101	2SC3928A/R/-X	TRANSISTOR		
Q201	2SC3928A/R/-X	TRANSISTOR		
Q301	PS1191RB22/BC/X	PHOTO TRANSISTOR		

△ Symbol No.	Part No.	Part Name	Description	Local
Q302	PS1191RB22/BC/X	PHOTO TRANSISTOR		
D101	AN1105W21/AB/-X	IR LED		
D201	AN1105W21/AB/-X	IR LED		
R101	NRSA02J-391X	MG RESISTOR	390Ω 1/10W J	
R102	NRSA63J-822X	MG RESISTOR	8.2kΩ 1/16W J	
R103	NRSA63J-184X	MG RESISTOR	180kΩ 1/16W J	
R104	NRSA63J-184X	MG RESISTOR	180kΩ 1/16W J	
R105	NRSA63J-153X	MG RESISTOR	15kΩ 1/16W J	
R201	NRSA02J-391X	MG RESISTOR	390Ω 1/10W J	
R202	NRSA63J-822X	MG RESISTOR	8.2kΩ 1/16W J	
R203	NRSA63J-184X	MG RESISTOR	180kΩ 1/16W J	
R204	NRSA63J-184X	MG RESISTOR	180kΩ 1/16W J	
R205	NRSA63J-153X	MG RESISTOR	15kΩ 1/16W J	
CN101	QGB2027LA-26X	CONNECTOR	B-B (1-26)	
CN102	QGF0522F3-15W	CONNECTOR	FFC/FPC (1-15)	
SW1	NSW0291-001X	DETECT SWITCH		

# Packing materials and accessories parts list

Block No. **M 3 M M**

No additional / supplemental order of WARRANTY CARDS are available.



The parts without symbol number are not service.



# Packing and Accessories

Block No. [M][3][M][M]

△	Symbol No.	Part No.	Part Name	Description	Local
A 1		GET0485-001B	INST BOOK	ENG	G140J,G240J
A 1		GET0493-001A	INST BOOK	ENG	G244UI,G394UI
A 1		GET0486-001A	INST BOOK	ENG THA	G245U,G245UH,G395U,G395UH,G396U,G396UH
A 1		GET0486-004A	INST BOOK	ENG INA	G245UN,G395UN,G396UN
A 1		GET0486-005A	INST BOOK	ENG CHI(TAIWAN)	G245UT,G395UT,G396UT
A 1		GET0494-001A	INST BOOK	CHI(PEKIN)	G248UF,G398UF
A 1		GET0484-001A	INST BOOK	GER FRE ITA	G341E,G342E,G343E
A 1		GET0484-003A	INST BOOK	ENG FRE	G341EX,G341EU,G342EX,G342EU,G343EX,G343EU
A 1		GET0484-006A	INST BOOK	ENG GER RUS	G341EY,G342EY,G343EY
A 1		GET0491-001A	INST BOOK	ENG	G347SEE,G347BEE
A 1		GET0554-001A	INST BOOK	ENG	G396SUI
A 1		GET0561-001A	INST BOOK	ENG	S15J
A 1		GET0491-001B	INST BOOK	ENG	G347BEE2,G347SEE2
A 2		GET0485-003B	INST BOOK	FRE	G140J,G240J
A 2		GET0486-003A	INST BOOK	RUS	G245U,G395U,G396U
A 2		GET0484-002A	INST BOOK	SPA POR GRE	G341E,G342E,G343E
A 2		GET0484-004A	INST BOOK	DUT DAN FIN SWE	G341EX,G342EX,G343EX
A 2		GET0484-007A	INST BOOK	HUN CZE POL	G341EY,G342EY,G343EY
A 2		GET0484-005A	INST BOOK	RUS SPA PER TUR	G341EU,G342EU,G343EU
A 2		GET0491-002A	INST BOOK	RUS	G347SEE,G347BEE
A 2		GET0491-002B	INST BOOK	RUS	G347BEE2,G347SEE2
A 3		GET0485-002B	INST BOOK	SPA	G140J,G240J
A 3		GET0486-002A	INST BOOK	ARE KOR CHI(TAIWAN) PER	G245U,G395U,G396U
A 3		GET0491-003A	INST BOOK	UKR	G347SEE,G347BEE
A 3		GET0561-002A	INST BOOK	SPA	S15J
A 3		GET0491-003B	INST BOOK	UKR	G347BEE2,G347SEE2
A 4		GET0486-006A	INST.MANUAL	ENG THA	G245U,G245UH,G395U,G395UH,G396U,G396UH
A 4		GET0486-009A	INST.MANUAL	ENG INA	G245UN,G395UN,G396UN
A 4		GET0486-010A	INST.MANUAL	ENG CHI(TAIWAN)	G245UT,G395UT,G396UT
A 4		GET0484-008A	INST.MANUAL	GER FRE ITA	G341E,G342E,G343E
A 4		GET0484-010A	INST.MANUAL	ENG FRE	G341EX,G341EU,G342EX,G342EU,G343EX,G343EU
A 4		GET0484-013A	INST.MANUAL	ENG GER RUS	G341EY,G342EY,G343EY
A 5		GET0486-007A	INST.MANUAL	ARA KOR CHI(TAIWAN) PER	G245U,G395U,G396U
A 5		GET0484-009A	INST.MANUAL	SPA POR GRE	G341E,G342E,G343E
A 5		GET0484-011A	INST.MANUAL	DUT DAN FIN SWE	G341EX,G342EX,G343EX
A 5		GET0484-014A	INST.MANUAL	HUN CZE POL	G341EY,G342EY,G343EY
A 5		GET0484-012A	INST.MANUAL	RUS SPA PER TUR	G341EU,G342EU,G343EU
A 6		GET0486-008A	INST.MANUAL	RUS	G245U,G395U,G396U
A 7		-----	WARRANTY CARD	BT-52007-1	G140J,G240J
A 7		-----	WARRANTY CARD	BT-54032-1	G341E,G341EX,G341EY,G342E,G342EX,G342EY,G343E,G343EX,G343EY,G347SEE,G347BEE
A 7		-----	WARRANTY CARD	BT-52008-1	S15J
A 7		-----	WARRANTY CARD	BT-54035-1	G347BEE2,G347SEE2
A 8		-----	WARRANTY CARD	BT-51018-5	G140J,G240J,S15J
A 9		BT-51041-1	REGIS. CARD		G140J,G240J
A 9		BT-51044-1	REGIS. CARD		S15J
A 10		VND3046-001	SERIAL TICKET		G341E,G341EX,G341EY,G342E,G342EX,G342EY,G343E,G343EX,G343EY,G347SEE,G347BEE2,G347SEE2
A 11		VND3050-002	IDENTITY CARD		G341E,G341EX,G341EY,G342E,G342EX,G342EY,G343E,G343EX,G343EY
A 12		QAM1048-001	16P CORD ASSY		G140J,G240J,S15J
A 12		QAM1047-001	16P CORD ASSY		G244UI,G245U,G245UN,G245UT,G245UH,G394UI,G395U,G395UN,G395UT,G395UH,G396U,G396UN,G396UT,G396UH
A 12		QAM0677-001	ISO ADAPTOR		G248UF,G398UF
A 12		QAM0175-002	CAR CABLE		G341E,G341EX,G341EY,G341EU,G342E,G342EX,G342EY,G342EU,G343E,G343EX,G343EY,G343EU,G347SEE,G347BEE
A 12		QAM0089-002	ISO CABLE		G299UR
A 12		QAM1111-001	POWER CORD		G347BEE2,G347SEE2
A 13		GE20137-003A	MOUNTING SLEEVE		
A 14		GE20235-004A	TRIM PLATE		G140J,G244UI,G245U,G245UN,G245UT,G245UH,S15J
A 14		GE20235-001A	TRIM PLATE		G240J,G396U,G396UN,G396UT,G396UH,G398UF,G299UR
A 14		GE20235-003A	TRIM PLATE		G248UF
A 14		GE20204-015A	TRIM PLATE		G341E,G341EX,G341EY,G341EU,G343E,G343EX,G343EY,G343EU
A 14		GE20204-008A	TRIM PLATE		G342E,G342EX,G342EY,G342EU
A 14		GE20204-007A	TRIM PLATE		G347SEE,G347SEE2
A 14		GE20204-201A	TRIM PLATE		G347BEE,G347BEE2
A 14		GE20235-005A	TRIM PLATE		G394UI,G395U,G395UN,G395UT,G395UH
A 14		GE32259-001A	TRIM PROTECTOR		G396SUI
A 15		VKZ4027-202	PLUG NUT		
A 16		GE40426-001A	MOUNT BOLT		G140J,G240J,G244UI,G245U,G245UN,G245UT,G245UH,G248UF,G341E,G341EX,G341EY,G341EU,G342E,G342EX,G342EY,G342EU,G343E,G343EX,G343EY,G343EU,G347SEE,G347BEE,G394UI,G395U,G395UN,G395UT,G395UH,G396U,G396UN,G396UT,G396UH,G398UF

Symbol No.	Part No.	Part Name	Description	Local
A 16	GE40426-002A	MOUNT BOLT		G299UR,S15J,G347BEE2,G347SEE2
A 17	VKZ4328-003	LOCK NUT		
A 18	QYVWS53A008ZA	WASHER	0mm/5.3mm x	
A 19	GE40130-002A	HOOK	(x2)	
A 20	RM-RK50C	REMOCON		G140J,G240J,G394UI,G395U,G395UN,G395UT,G395UH,G396U,G396UN,G396UT,G396UH,G398UF,S15J
A 20	RM-RK50I	REMOCON		G396SUI
A 21	-----	BATTERY	3V	G140J,G240J,G394UI,G395U,G395UN,G395UT,G395UH,G396U,G396UN,G396UT,G396UH,G398UF,G396SUI,S15J
A 22	QYSDSP5008ZA	SCREW	M5 x 8mm(x4)	G396SUI
A 23	QAM1124-001	16PIN TO 20PIN		G396SUI
A 24	QAM1125-001	16PIN TO 12PIN		G396SUI
A 25	GET0222-001A	TAG CAUTION SH		S15J
KIT	SRW-MA372	SCREW PARTS KIT	A15 A16 A17 A18 A19	
P 1	GE32879-002A	CARTON		G140J
P 1	GE32931-001A	CARTON		G240J
P 1	GE32934-001A	CARTON		G244UI
P 1	GE32883-001A	CARTON		G245U,G245UN,G245UT,G245UH
P 1	GE33200-001A	CARTON		G248UF
P 1	GE32876-002A	CARTON		G341E,G341EX,G341EY,G341EU
P 1	GE32910-001A	CARTON		G342E,G342EX,G342EY,G342EU
P 1	GE32913-001A	CARTON		G343E,G343EX,G343EY,G343EU
P 1	GE32919-001A	CARTON		G347SEE,G347SEE2
P 1	GE32916-001A	CARTON		G347BEE,G347BEE2
P 1	GE32940-001A	CARTON		G394UI
P 1	GE32886-002A	CARTON		G395U,G395UN,G395UT,G395UH
P 1	GE33057-001A	CARTON		G396U,G396UN,G396UT,G396UH
P 1	GE33201-001A	CARTON		G398UF
P 1	GE33258-002A	CARTON		G396SUI
P 1	GE33364-001A	INNER CARTON		S15J
P 2	GE10218-001A	EPS CUSHION		G140J,G240J,G244UI,G245U,G245UN,G245UT,G245UH,G248UF,G394UI,G395U,G395UN,G395UT,G395UH,G396U,G396UN,G396UT,G396UH,G398UF
P 2	GE10220-001A	EPS CUSHION		G341E,G341EX,G341EY,G341EU,G342E,G342EX,G342EY,G342EU,G343E,G343EX,G343EY,G343EU,G347SEE,G347BEE
P 2	GE10237-001A	CUSHION		G396SUI,S15J
P 2	GE10238-001A	CUSHION		G347BEE2,G347SEE2
P 3	QPC03004315PB	POLY BAG	30cm x 43cm	G140J,G240J,G244UI,G245U,G245UN,G245UT,G245UH,G248UF,G341E,G341EX,G341EY,G341EU,G342E,G342EX,G342EY,G342EU,G343E,G343EX,G343EY,G343EU,G347SEE,G347BEE,G394UI,G395U,G395UN,G395UT,G395UH,G396U,G396UN,G396UT,G396UH,G398UF,G396SUI,S15J,G347BEE2,G347SEE2
P 4	GE40276-003A	POLY BAG		G140J,G240J,G244UI,G245U,G245UN,G245UT,G245UH,G248UF,G341E,G341EX,G341EY,G341EU,G342E,G342EX,G342EY,G342EU,G343E,G343EX,G343EY,G343EU,S15J
P 4	FSPG4002-001	POLY BAG		G396SUI
P 5	QPA00801205	POLY BAG	8cm x 12cm	G140J,G240J,G244UI,G245U,G245UN,G245UT,G245UH,G248UF,G341E,G341EX,G341EY,G341EU,G342E,G342EX,G342EY,G342EU,G343E,G343EX,G343EY,G343EU,G347SEE,G347BEE,G394UI,G395U,G395UN,G395UT,G395UH,G396U,G396UN,G396UT,G396UH,G398UF,G396SUI,S15J,G347BEE2,G347SEE2
P 6	FSPG4002-001	POLY BAG	(x2)	G140J,G240J,G245U,G395U,G396U
P 6	FSPG4002-001	POLY BAG		G244UI,G245UN,G245UT,G245UH,G248UF,G341E,G341EX,G341EY,G341EU,G342E,G342EX,G342EY,G342EU,G343E,G343EX,G343EY,G343EU,G347SEE,G347BEE,G394UI,G395UN,G395UT,G395UH,G396U,G396UN,G396UT,G396UH,G398UF,S15J,G347BEE2,G347SEE2
P 7	GE32320-001A	HARD CASE ASSY		G394UI,G395U,G395UN,G395UT,G395UH,G396U,G396UN,G396UT,G396UH,G398UF,G299UR,G347BEE2,G347SEE2
P 8	QPA01003003	POLY BAG	10cm x 30cm	G394UI,G395U,G395UN,G395UT,G395UH,G396U,G396UN,G396UT,G396UH,G398UF
P 8	QPC01002515	POLY BAG	10cm x 25cm	G347BEE2,G347SEE2
P 9	QPC01002515	POLY BAG	10cm x 25cm	G394UI,G395U,G395UN,G395UT,G395UH,G396U,G396UN,G396UT,G396UH,G398UF
P 9	QPA01003003	POLY BAG	10cm x 30cm	G347BEE2,G347SEE2