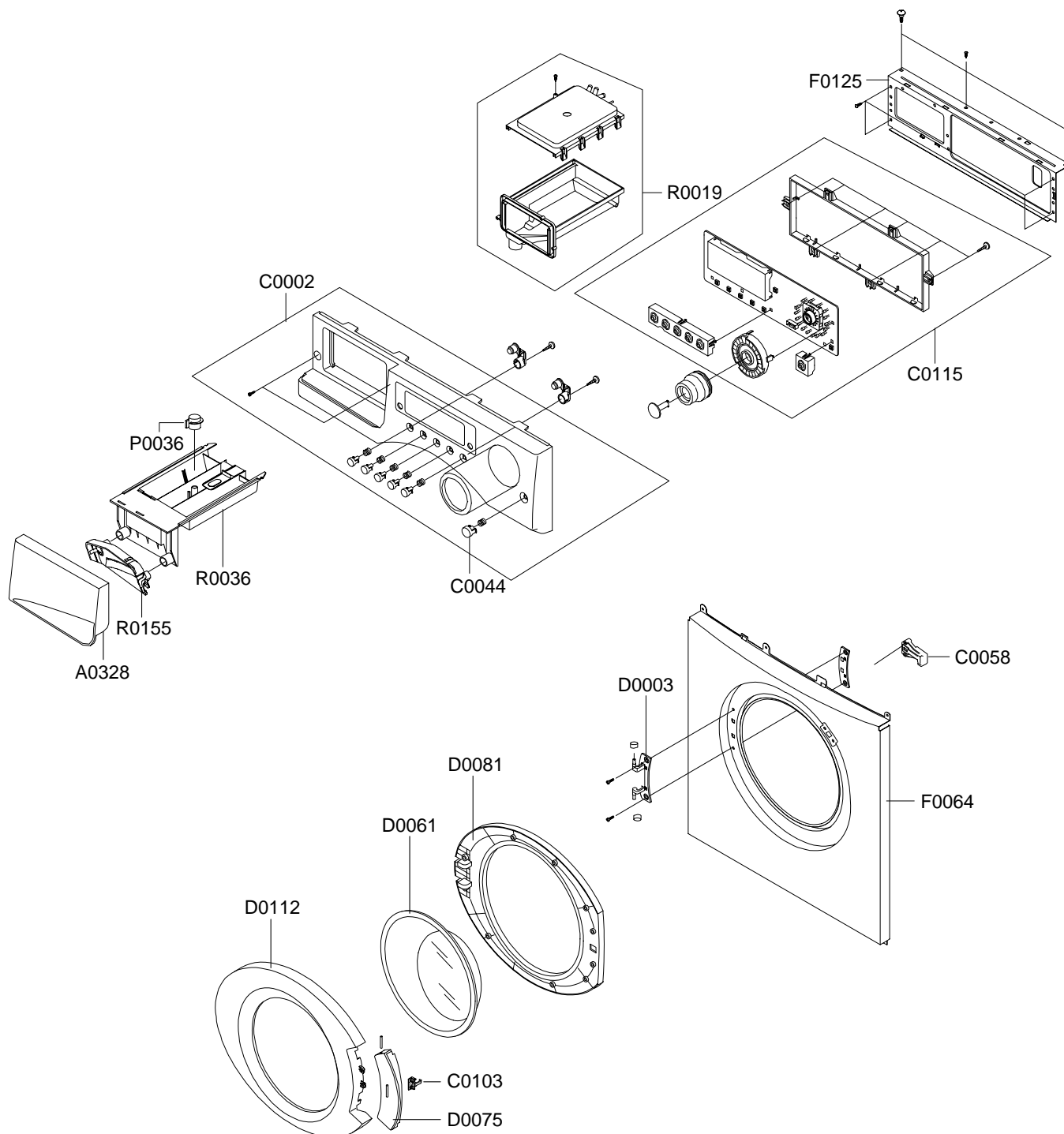
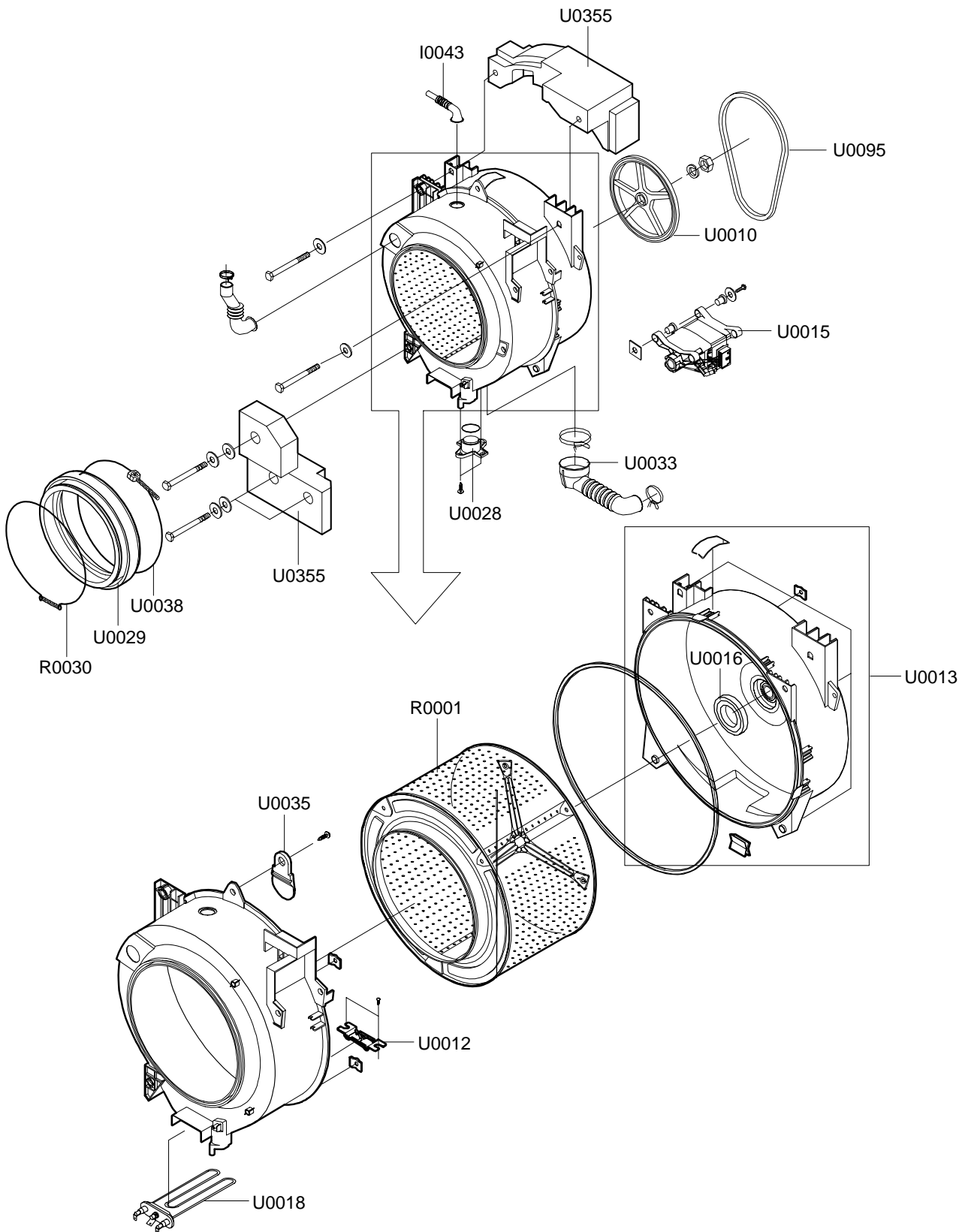


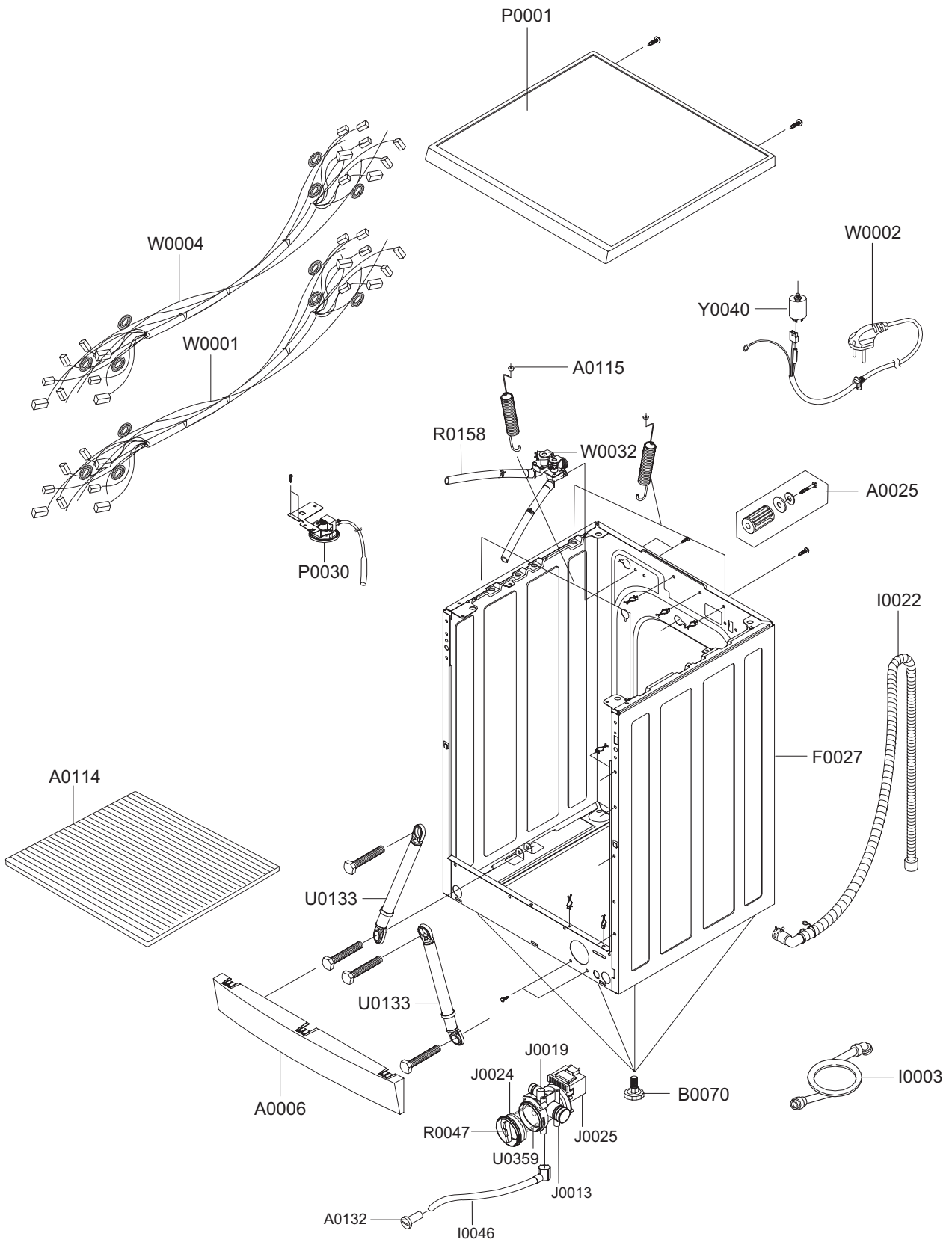
15. TOP(FRONT) - EXPLODED VIEW



15. TUB - EXPLODED VIEW



15. CASE - EXPLODED VIEW



15. PARTS LIST

NO.	CODE NO.	DESCRIPTION	SPECIFICATION	QTY	SA/SNA	REMARK
A0006	DC63-00625A	COVER-FRONT(L)	SEW-DR803BT,PP,	1	SA	
A0025	DC97-02106C	ASSY-FIXER TUB	SEW-3HR105,L114.5	5	SA	
A0034	DC60-40146A	BOLT-SPANER	OD36,T2.5,L52,FE,FZY,P	1	SA	
A0043	DC61-10688A	CAP-FIXER	SWF-P12,PP(TB53),WHT,	5	SA	
A0114	DC64-00587A	SHUTTER	Q1636GW/XEU,DNAPLA,WHT,PP(1	SA	
A0115	DC61-60180A	SLEEVE-PLUG	NYLON#6,SEW-720DR,NTR	2	SA	
A0132	DC61-10673A	CAP-DRAIN	SWF-P12,PP(TB53),WHT,	1	SNA	
A0242	DC64-00864J	INLAY-PANEL	P1243GW/XEG,PC,T0.5,WHT,	1	SA	J1253
A0242	DC64-00864H	INLAY-PANEL	P1443GW/XEG,PC,T0.5,WHT,	1	SA	J1453
A0282	DC63-00414A	COVER-BACK	Q1636GW/XEU,SBHG1-A	1	SA	
A0328	DC64-00808A	PANEL-DRAWER	P/R/F/SLIM,ABS,SNOW	1	SA	
A0362	DC61-40081A	HOLDER-WIRE	DAWH-2NC,NYLON66,NTR	7	SA	
B0070	DC97-00920C	ASSY-LEG	SEW-HW108	4	SA	
C0002	DC97-09590M	ASSY-PANEL CONTROL	J1253GW/XEG,GERMAN/7.	1	SA	J1253
C0002	DC97-09590L	ASSY-PANEL CONTROL	J1453GW/XEG,GERMAN/7.	1	SA	J1453
C0043	DC64-00813A	BUTTON-PUSH(F)	P/R/F/SLIM,ABS,SNOW-W	1	SA	
C0044	DC64-00812E	BUTTON-PUSH(P)	P-PJT,ABS,SNOW-WHT,IC	1	SA	
C0058	DC64-00653A	DOOR-LOCK S/W	DA,PA6-G,H82,W50,BLK,2	1	SA	
C0103	DC66-00358A	LEVER-DOOR	SEW-HW105,ZNDC,CR-COA	1	SA	
C0105	DC61-00890A	SPRING-HANDLE	HAUZEN(DOM),STS304,CD1.0	1	SA	
C0115	MFS-J1253-01	ASSY PCB PARTS(M)	MFS-J1253-01	1	SA	J1253
C0115	MFS-J1453-01	ASSY PCB PARTS(M)	MFS-J1453-01	1	SA	J1453
D0003	DC61-00889A	HINGE-DOOR	HAUZEN(DOM),ZNDC,18	1	SA	
D0061	DC61-20207A	DOOR-GLASS	Q1636GW/XEU,GLASS,TRP	1	SA	
D0072	DC61-00891A	GUIDE-HINGE	HAUZEN(DOM),POM,WHT,HI	2	SA	
D0075	DC64-00646A	HANDLE-DOOR	SD455-PJT,POM,WHT,RO	1	SA	
D0081	DC61-00888A	HOLDER-GLASS	HAUZEN,ABS,WHT,AUTO+M	1	SA	
D0109	DC61-60519A	GUIDE-BAR	SWF-P12,SHV-745CC1(SSEC)	1	SA	
D0112	DC63-00391A	COVER-DOOR	HAUZEN(DOM),ABS,WHT	1	SA	
F0027	DC99-00644A	ASSY-PAINT FRAME	J1453~J853/MID-WHT,JUMP	1	SA	
F0060	DC96-00775A	ASSY-BRACKET FRAME	TS2-PJT,SPONGE ADD	1	SA	
F0064	DC97-00702W	ASSY-FRAME FRONT	MID-PJT/T0.8,ROUND/NEAT	1	SA	
F0065	DC97-05134B	ASSY-FRAME PLATE(U)	WF-R1053/XSC,R-PJT/S	1	SA	
F0125	DC61-30344A	FRAME-PLATE(U)	SWF-P12,EGI,NTR	1	SNA	
I0003	DC62-00079A	HOSE-WATER	P1405J,PVC+NYLON,L1500,	1	SA	
I0022	DC97-02250F	ASSY-HOSE DRAIN(O)	B1415J(NO-SPONGE),EPD	1	SA	
I0030	DC62-10278A	HOSE-HANGER	PP(JS20),NTR	1	SA	
I0043	DC62-10272D	HOSE-AIR	S621,PVC,ID4.5,L520,NTR	1	SNA	
I0043	DC62-10303A	HOSE-AIR	EPDM,ID24,L130,BLK,SWF-P1	1	SA	
I0046	DC62-10302A	HOSE-DRAIN	SWF-P12,EPDM,ID5.5,L220,B	1	SA	
J0013	DC90-11110K	ASSY-PUMP DRAIN	SWF-P12,220V~240V/50Hz	1	SNA	
J0019	DC61-10652B	CASE-PUMP	PP(5113MF6),SW-5C1P,WHT,	1	SA	
J0024	DC62-00187A	SEAL-WASHER	SW80ASPIW/YMI,NBR,BLK,	1	SA	
J0025	DC31-30008D	PUMP-DRAIN	SW-70XP,220/240V,50Hz,SYNCHRO	1	SA	
P0001	DC97-05137G	ASSY-COVER TOP	J1453~J853/MID-WHT,JUMP2-	1	SA	

15. PARTS LIST

NO.	CODE NO.	DESCRIPTION	SPECIFICATION	QTY	SA/SNA	REMARK
P0030	DC32-30006P	SENSOR PRESSURE	DN-S14(P1291),TERMINAL-T	1	SNA	
P0036	DC61-10687A	CAP-RINSE	SWF-P12,PP,WHT,	1	SA	
P0082	DC97-05973A	ASSY-HOSE PRESSURE	5.2kg/SD455/SD405,PVC	1	SA	
R0001	DC97-05848B	ASSY-DRUM	J1455AVIW/XSA,JUMP2-PJT/SSEC	1	SA	
R0007	DC97-05103A	ASSY-FLANGE SHAFT	Q1435V,ALDC+SM45C/FOR6	1	SA	
R0019	DC97-03244A	ASSY-HOUSING DRAWER	B1215J,FOR/2WAY	1	SA	
R0019	DC97-09895B	ASSY-HOUSING DRAWER	J1453-J853,JUMP2-PJT	1	SA	
R0027	DC97-00731A	ASSY-SENSOR PRESSURE	P1091,S-PRE+BRACKET+	1	SA	
R0030	DC91-12078A	ASSY-WIRE DIAPHRAGM	SWF-P12,FRAME-FRONT	1	SA	
R0036	DC61-30348A	BODY-DRAWER	PP	1	SA	
R0045	DC61-00027A	CAP-DRAWER	COVER_HOT-HOLE/P12,NBR,L1	1	SA	
R0047	DC67-00114A	CAP-FILTER	SW80ASPIW/YMI,P.P,BLK	1	SA	
R0065	DC63-00450A	COVER-FRONT	S821,PP,T1.8,WHT,GUI	1	SA	
R0106	DD60-50018A	NUT-FLANGE	M5XP0.8,FZY,MSWR10	2	SA	
R0154	DC63-10002M	SPONGE-HARNESS	T5,W60,L100,PU-FOAM,	1	SA	
R0155	DC64-00809A	HANDLE-DRAWER	P/R/F/SLIM,ABS,SNO	1	SA	
R0158	DC62-10305A	HOSE-DRAWER TUB	EPDM,ID35,L158,BLK	1	SA	
R0158	DC67-00051D	HOSE-DRAWER	S1093-S6093,EPDM,BLK	0.52	SA	
R0159	DC61-00952A	SPRING-HANGER	SEW-3HR105,CD3.5,OD25.	2	SA	
U0003	DC60-60044A	WASHER-PLAIN	ID10.5,OD30,T3,STS304	2	SA	
U0003	DC60-60044B	WASHER-PLAIN	SBC,ID8.4,OD30,T3	5	SA	
U0005	DC60-60040A	WASHER-NYLON	ID10.5,OD32,T2,PBSP-1/2	5	SA	
U0010	DC66-00327A	PULLEY	Q1636GW/XEU,ALDC8-1,OD296.8	1	SA	
U0012	DC61-00856A	BRACKET-HEATER	SB-PJT,STS430	1	SNA	
U0013	DC97-05130A	ASSY-TUB BACK	Q1435V/WASH,6306/6305	1	SA	
U0015	DC31-00002A	MOTOR-DRUM	MCC52/64-148/SEC2,220~240V,50	1	SA	
U0016	DC62-00160A	SEAL-OIL	TS0-PJT,NBR(SD35),BLK,JIN	1	SA	
U0018	DC47-00007A	HEATER	DRUM-MDL,SUS316L,230V,20,	1	SA	
U0023	DC61-00201A	BRACKET-NUT	SBHG-R,P1291,T3,NO-PAI	1	SA	
U0023	DC61-40348B	BRACKET-NUT	SBHG-R,P1291,T3,NO-PAI	2	SA	
U0023	DC61-40348B	BRACKET-NUT	SBHG-R,P1291,T3,NO-PAI	2	SA	
U0026	DC97-00215L	ASSY-TUB FRONT	SEW-HW957,WASH/7.5KG	1	SA	
U0028	DC61-10676A	CAP-TRAP	SWF-P12,PP(TB53),	1	SNA	
U0029	DC61-20219E	DOOR-DIAPHRAGM	SEW-HW107,EPDM,GR	1	SA	
U0033	DC62-10304A	HOSE-FILTER TUB	EPDM,ID65,L151,BLK	1	SA	
U0035	DC62-20311A	VANE-CHECK	SWF-P12,EPDM,BLK,	1	SNA	
U0038	DC91-12077A	ASSY-CLAMP DIAPHGRAM	SWF-P12,TUB	1	SA	
U0086	DC67-00079A	WEIGHT-BALANCER(F)	SEW-HW107,FE,RE	1	SA	
U0095	6602-001072	BELT-TIMING GEAR	POLYURETHAN,L1270,J5,ME	1	SA	
U0133	DC66-00421A	DAMPER-SHOCK	F-PJT,FRICTION-DAMPER	2	SA	
U0320	6011-001497	BOLT-HEX	M7,L112.5(44),ZPC(YEL),SWRCH18A	1	SA	
U0320	DC60-40141A	BOLT-HEX	SM10C/DAMPER,HEX,M8,L66,ZPC2(2	SA	
U0320	DC60-40144A	BOLT-HEX	M10,L41,ZPC2(YEL),SM10C/DAMPER	2	SA	
U0328	DC62-40183A	PACKING-TUB	SWF-P12,EPDM,BLK	1	SA	
U0353	DC61-00118A	CLAMPER HOSE	P1291,LYLON6/6,ID27,OD30,	1	SA	

15. PARTS LIST

NO.	CODE NO.	DESCRIPTION	SPECIFICATION	QTY	SA/SNA	REMARK
U0353	DC61-00133A	CLAMPER HOSE	P1291,PP(BJ-730),ID24.5,OD2	1	SA	
U0353	DC61-60359E	CLAMPER HOSE	F1235AS/F1035AS,ID7.8,Y	1	SA	
U0353	DC61-60359E	CLAMPER HOSE	F1235AS/F1035AS,ID7.8,Y	1	SA	
U0353	DC61-60497A	CLAMPER HOSE	SWF-P12,HSWR,ID70/OD75.8,	1	SA	
U0354	DC96-00833D	ASSY-SEMI TUB DRUM	J1453GW/XEU,JUMP2-MID	1	SA	
U0355	DC67-00105A	WEIGHT-BALANCER	SEW-3HR105,GC-150,	1	SA	
U0355	DC67-00106A	WEIGHT-BALANCER	SEW-3HR105,GC-150,	1	SA	
U0356	DC65-10001A	CABLE TIE	DA-140	6	SA	
U0359	DC62-00066A	FILTER-CASE	PP,BLK/SW90V2	1	SA	
U0360	DC61-60499B	CLIP-TUB	HSWR,P1291,NO/PAINT,	8	SA	
U0360	DC61-60520A	CLIP-TUB	SK5,SWF-P12,PLATE-TYPE,	2	SA	
W0001	DC96-00779B	ASSY-WIRE HARNESS	P1443,CIS-M 55cm/high	1	SA	
W0002	DC96-00146A	asSY POWER CORD	UCP2,250V/16A,	1	SA	
W0004	DC96-00777A	ASSY-M.WIRE HARNESS	P1043,CIS-M 55cm	1	SA	
W0032	DC62-00024F	VALVE-WATER	B1215J,NYLON66/250TRMN,N	1	SA	
Y0040	DC29-00005B	FILTER-EMI	FA-2151T-2,1.2MM NUT,250V,15A	1	SA	
Z0006	DC97-02412A	ASSY-BOLT	SWF-P12,MOTOR, M8*L62	3	SA	
Z0006	DC97-02412B	ASSY-BOLT	SWF-P12,WEIHGT(L)/M8*L147	1	SA	
Z0006	DC97-02412D	ASSY-BOLT	Q1636,WEIHGT(U)/M8*L103	1	SA	
Z0006	DC97-02412H	ASSY-BOLT	Q1657	1	SA	
	DC63-00651A	COVER-HEATER	Q1657TGW/XEU,GI,T0.4,	1	SA	
	DC68-20436A	LABEL-PACKING	ART-PAPER,W110,L230,STANDA	1	SA	



This Service Manual is a property of Samsung Electronics Co.,Ltd.
Any unauthorized use of Manual can be punished under applicable
International and/or domestic law.

© Samsung Electronics Co., Ltd. August 2005
Printed in Korea
Code No. : DC68-02539A